

HOBART



A120

ML-25272

ML-25273

ML-25274

ML-25293

ML-25294

ML-25295

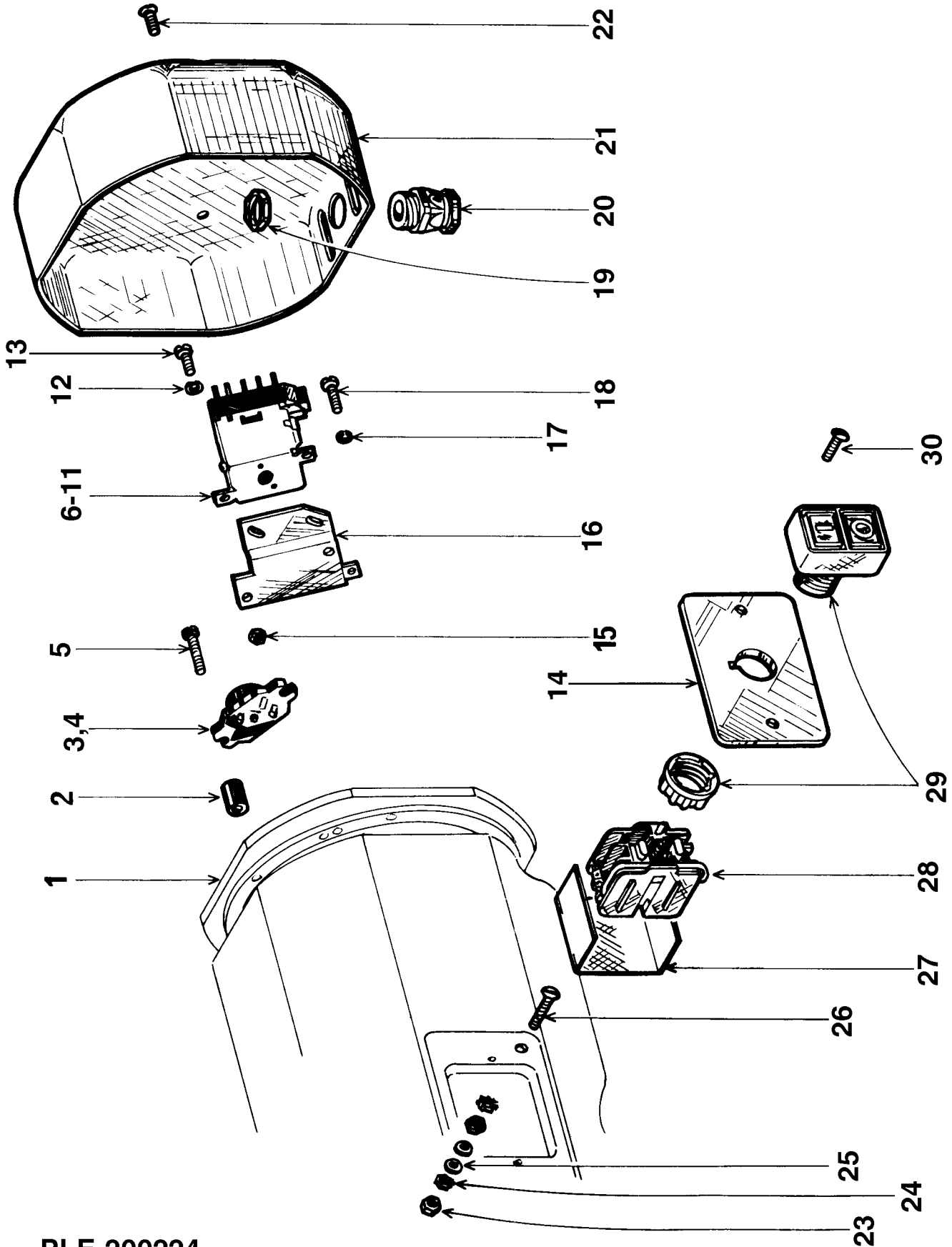
ML-604

ML-2248

Catalogue of Replacement Parts
Catalogue de Pièces de Rechange
Ersatzteilkatalog

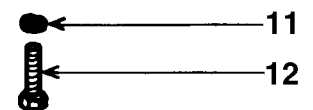
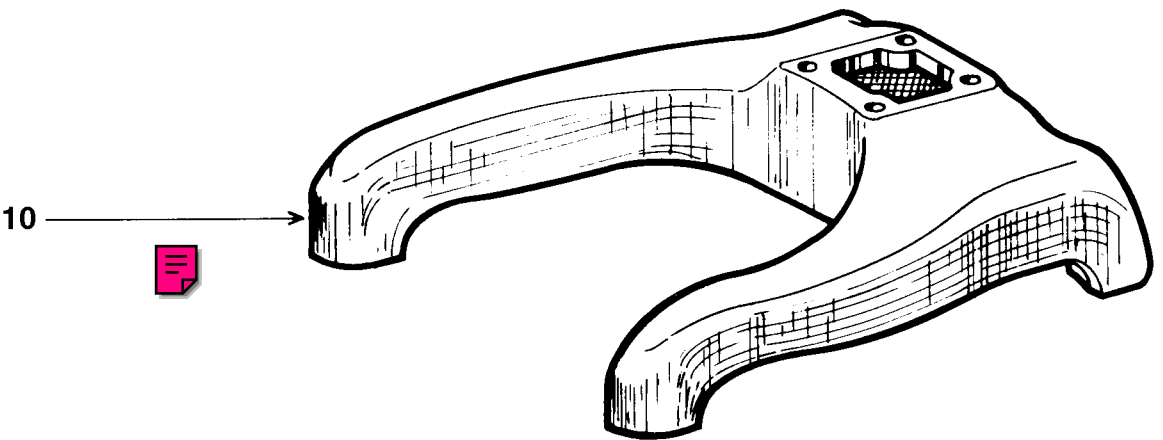
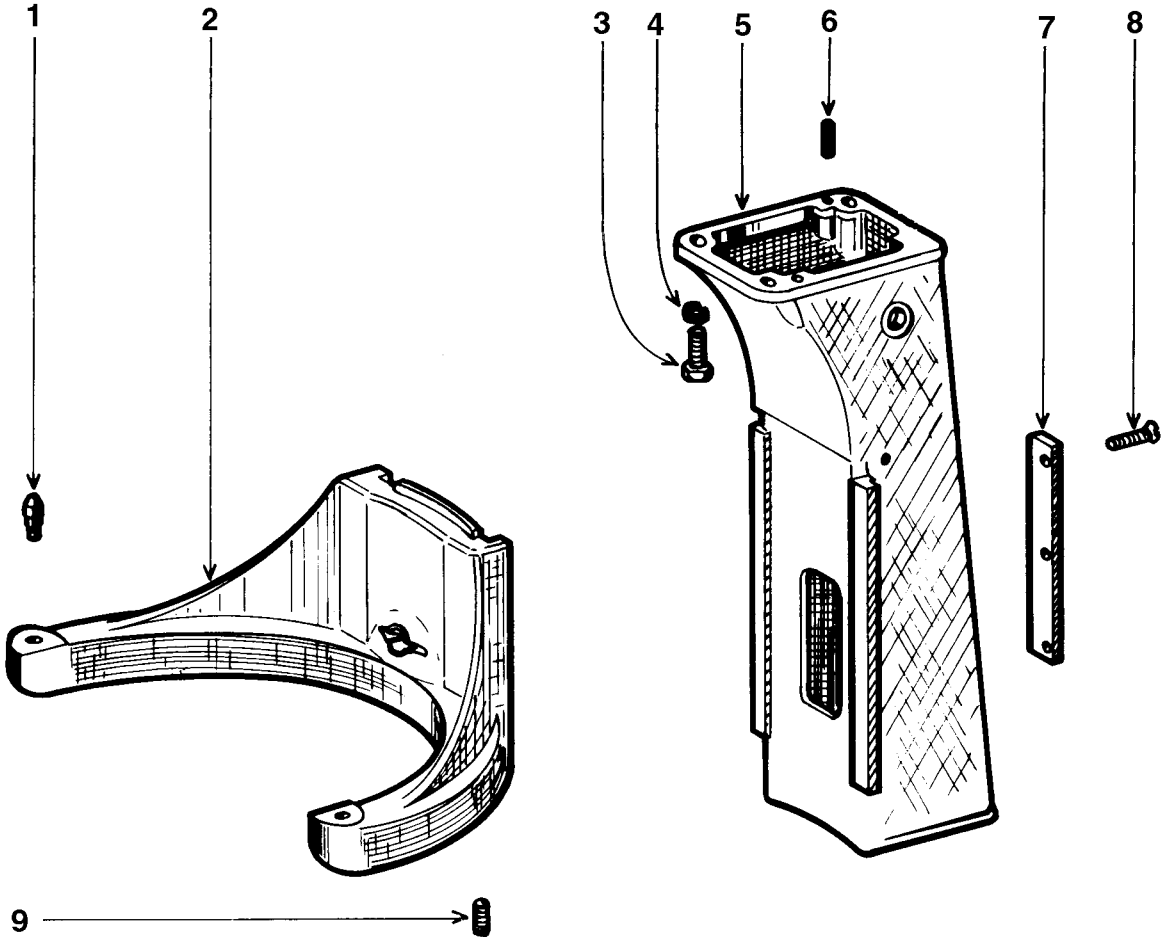
INDEX

ELECTRICAL PARTS.....	2
BASE,PEDESTAL & BOWL UNIT.....	4
BOWL LIFT.....	6
CENTRE SHAFT.....	8
TRANSMISSION SHAFT.....	10
WORM GEAR SHAFT.....	12
TRANSMISSION CASE.....	14
SHIFTER UNIT.....	16
PLANETARY & ATTACHMENT HUB UNIT.....	18
AGITATOR,BOWL.....	20
FLOOR MODEL.....	22



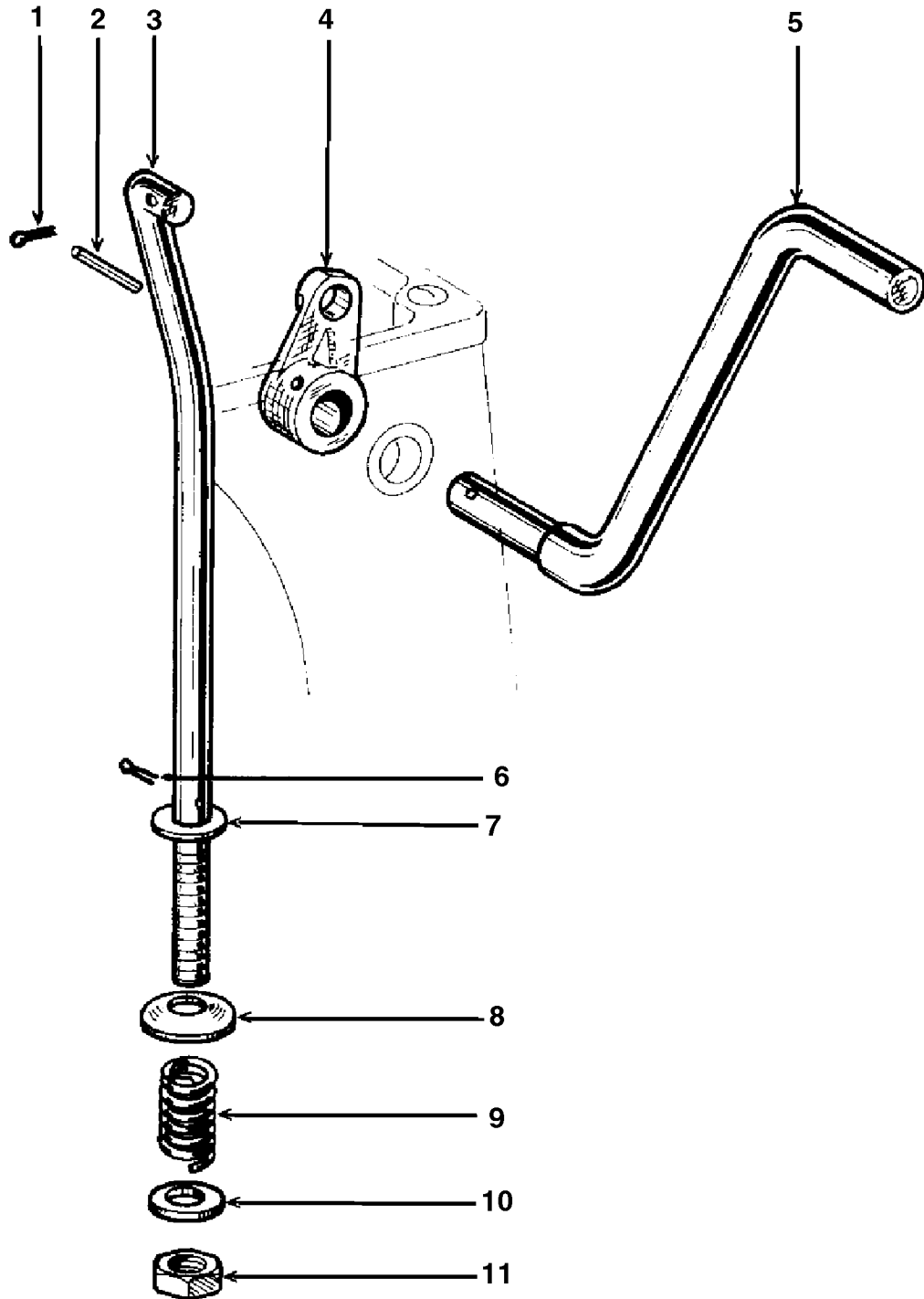
PLE-200224

key no.	part no.	part name	qty
1		motor (see separate parts sheet) -----	1
2	B-136068	spacer TOC (one 1 phase motor) -----	2
3	B-136067-1	klixon TOC (200, 220, 240/50/1 – 220/60/1) -----	1
4	B-136067-2	klixon TOC (110/50/1 – 115/60/1) -----	1
5		SCM–E–3–32 M4 25mm pan head screw -----	2
6	C-135842-1	relay (110/50/1) -----	1
7	C-135842-4	relay (115/60/1) -----	1
8	C-135842-7	relay (200, 220/50/1 – 220/50/3) -----	1
9	C-135842-8	relay (220/60/1 – 220/60/3) -----	1
10	C-135842-10	relay (240/50/1 – 240/50/3) -----	1
11	C-135842-11	relay (380 – 415/50/3) -----	1
12		LWM–E–1–8 3mm single coil lockwasher -----	2
13		SCM–E–1–5 M3.8mm cheese head screw -----	2
14	B-136743	switch plate push buttons -----	1
15		NUM–E–1–8 M3 hex full nut -----	2
16	B-136731	bracket assembly relay -----	1
17		LWM–E–2–31 5mm single coil lockwasher -----	2
18		SCM–E–4–3 M5.8mm pan head screw -----	2
19	B-136240	locknut 20mm EPM–E–11–13 -----	1
20	B-136239	cable gland EPM–E–11–12 -----	1
21	C-136055	motor end cover -----	1
22		SCM–E–12–2 M5-12mm mushroom head screw -----	3
23		NUM–E–2–27 M5 hex nut -----	2
24		LWM–E–2–27 5mm single coil lockwasher -----	2
25		WAM–E–8–21 M5.3 x 10 x 1 washer -----	2
26		SCM–E–4–22 M5 25mm CSK head screw -----	1
27	B-137346	insulator for switch -----	1
28	B-136231	stop start switch contact block -----	1
29	B-136742	stop start switch actuator -----	1
30		SCM–E–3–2 M4-10mm pan head screw -----	2



PLE-200225

key no.	part no.	part name	qty
1	B-6938-2	pin bowl locating	2
2	R-56550	sub-assembly bowl support (CD)	1
3		SCM-E-6-31 M8-25mm long soc head cap screw	2
4		LWM-E-3-28 M8 single coil lockwasher	4
5	D-12659-M	pedestal (CD)	1
6	D-11800-116	dowel	2
7	B-137098	gib bowl support	2
8		SMC-E-4-10 M5-16mm long CKS screw	6
9	B-121625-M	M12-22mm grub screw	1
10	B-118120-M	base (CD)	1
11		LWM-E-4-5 10mm washer shakeproof (external)	4
12		SCM-E-7-30 M10-35mm hex head screw	4



PLE-200226

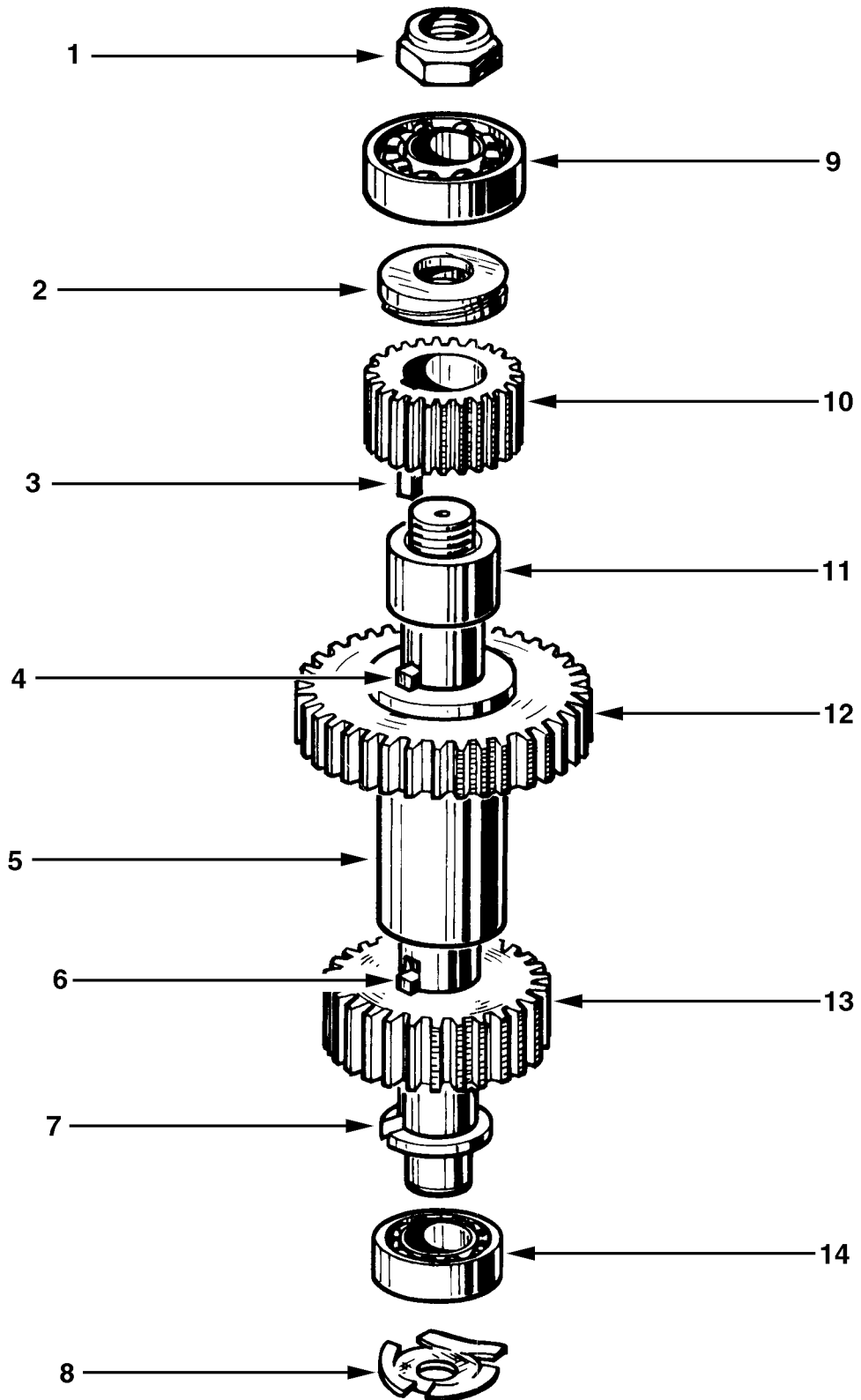


bowl lift

A120

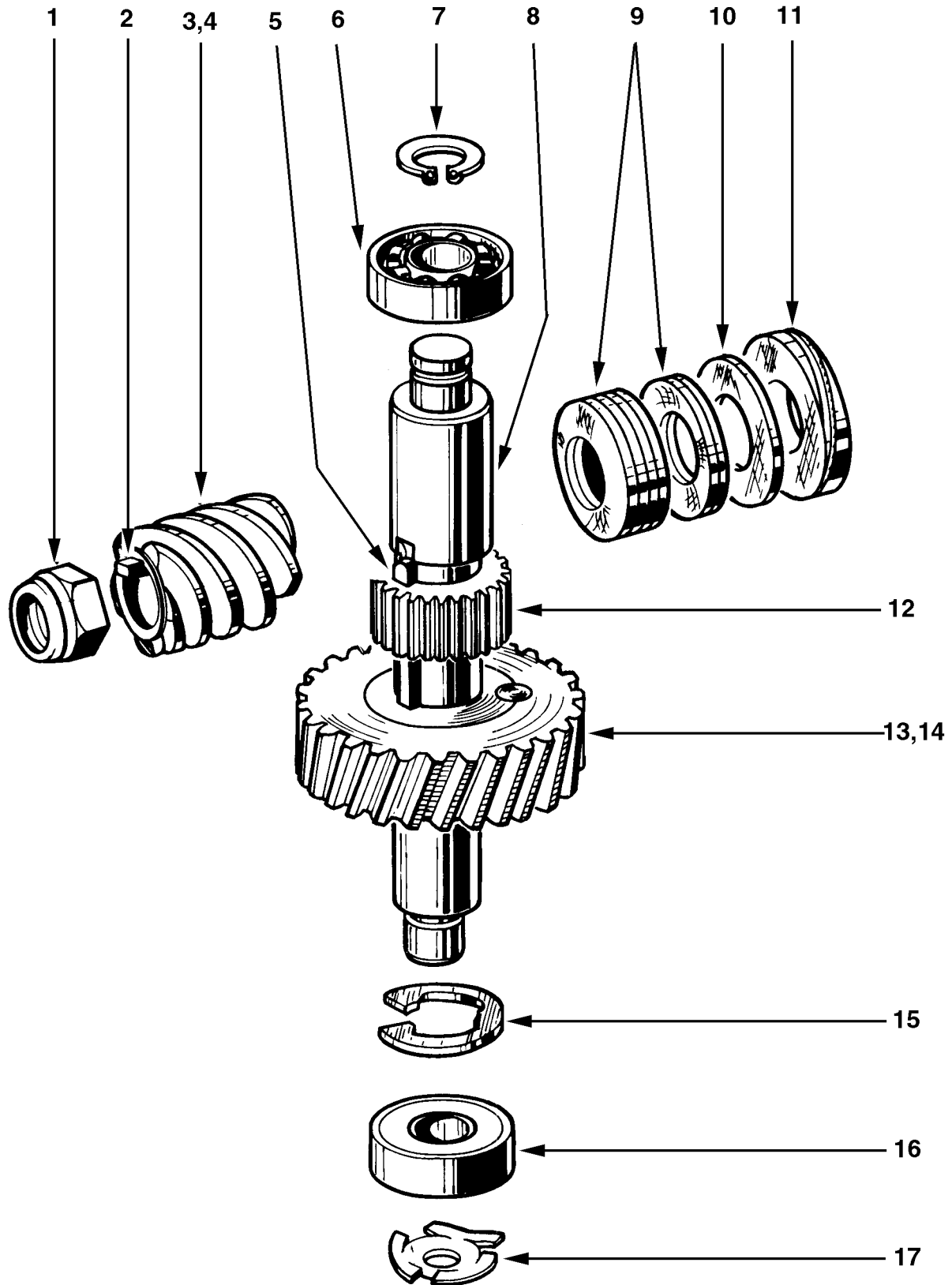
key no.	part no.	part name	qty
1		CP-E-2-16 1/8" Ø - 3/4" long cotter pin -----	1
2		RP-2-26 roll pin 1/4" dia x 1.1/8" long -----	1
3	P-12714-E	rod bowl lift -----	1
4	B-114430	arm bowl lift -----	1
5	C-114431-1	handle bowl lift -----	1
6		CP-E-2-16 1/8" Ø 3/4" long cotter pin -----	1
7		WA-E-2-26 3/8" washer -----	as reqd
8	B-12745	washer special -----	1
9	B-12782	spring -----	1
10		WA-E-2-26 3/8" washer -----	1
11		NU-E-5-19 3/8" UNF nyloc locknut -----	1

key no.	part no.	part name	qty
1	C-135173	centre shaft -----	1
2	C-12430-55	key -----	1
3	D-12430-18	key -----	1
4		WS-8-13 washer -----	1
5		WS-10-18 shim brg (.002 thick) -----	as reqd
6		WS-10-19 shim brg (.003 thick) -----	as reqd
7		WS-10-20 shim brg. (.010 thick) -----	as reqd
8	C-145151	sleeve -----	1
9	D-12430-59	key -----	1
10	D-12430-55	key -----	1
11	C-70035-1	clutch sleeve -----	1
12	B-12695	bush clutch gear -----	1
13	B-17223	spacer lower -----	1
14	B-14674	spacer bearing -----	1
15		WS-7-26 washer -----	1
16	B-10928-2	nut special 1/2" - 20 UNF -----	1
17		NS-32-29 locknut flexloc thin 1/2" - 20 UNF -----	1
18		BB-E-2-38 ball bearing 17 x 40 x 12 -----	1
19	B-36306	spacer upper -----	1
20	B-145149-1	free wheel -----	1
21	C-145150	slow speed gear 46T 14DP -----	1
22	C-145148	gear bevel -----	1
23	C-12694	clutch gear 29T 14DP -----	1
24	B-12695	bush clutch gear -----	1
25	C-12696	clutch gear 38T 14DP -----	1
26		BB-E-2-45 ball bearing 20 x 47 x 14 -----	1
27	B-114695	OS-E-2-7 oil seal (CD) -----	1
28		WS-24-1 washer -----	1
29	B-24715-3	acorn nut 1/2" - 20 UNF -----	1



transmission shaft

key no.	part no.	part name	qty
1		NU-E-5-19 3/8" UNF nylock nut -----	1
2	B-12744	spacer upper -----	1
3	C-109070-18	key hardened -----	1
4	C-109070-18	key hardened -----	1
5	B-12697	spacer lower -----	1
6	C-109070-18	key hardened -----	1
7	C-12717	shaft transmission -----	1
8	B-51493	SL-2-8 spring preloading -----	1
9		BB-E-2-29 ball bearing 10 x 30 x 9 -----	1
10	C-103960	gear 15T 14DP -----	1
11	B-12698	spacer central -----	1
12	C-12700	gear 32T 14DP -----	1
13	C-12699	gear 23T 14DP -----	1
14		BB-E-2-29 ball bearing 10 x 30 x 9 -----	1

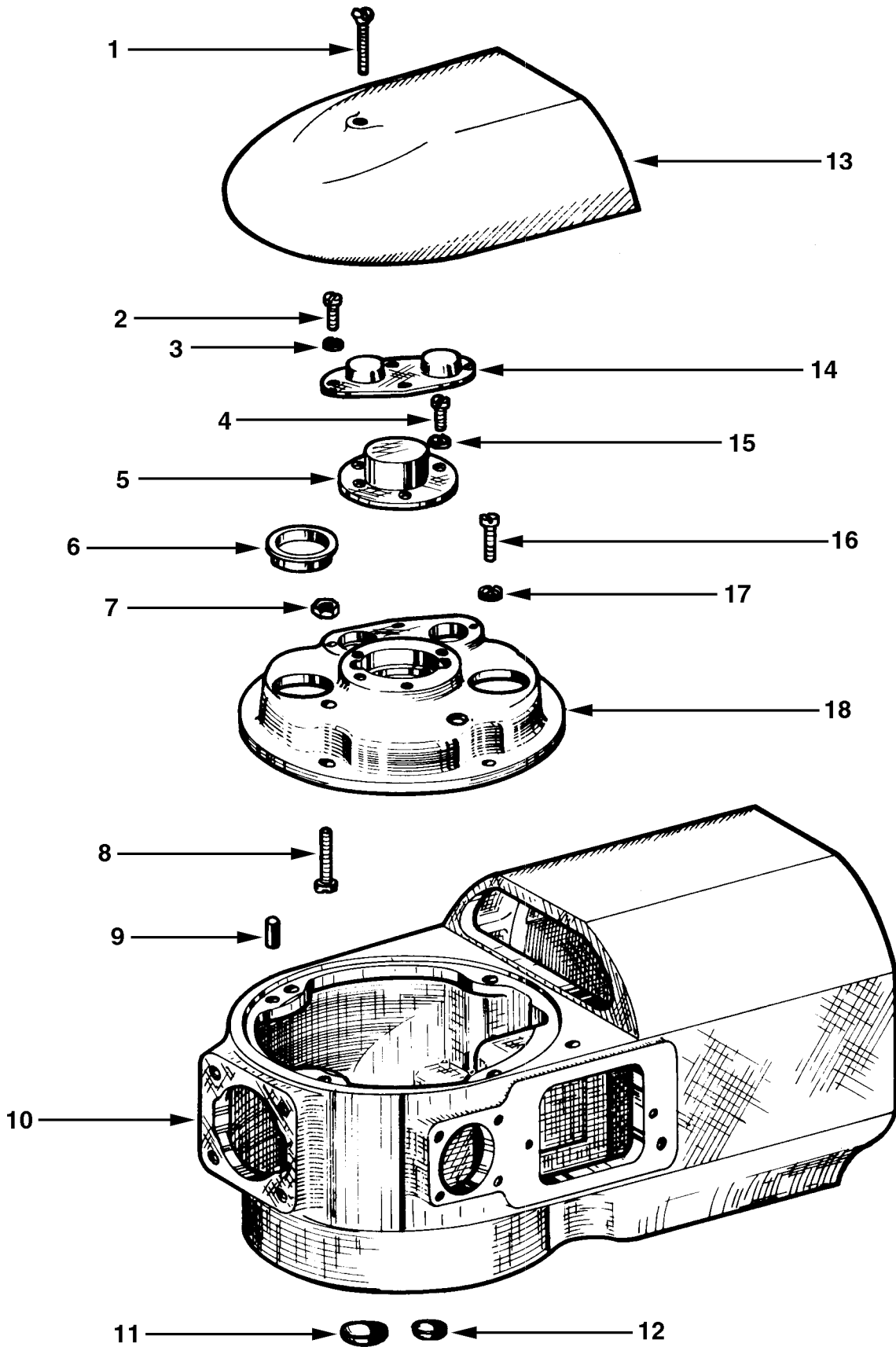


PLE-200229



worm gear shaft

key no.	part no.	part name	qty
1		NS-32-23 self locking nut 7/16" - 20 UNF -----	1
2	B-12747	spline key -----	1
3	C-70407	worm 50Hz -----	1
4	C-70406	worm 60Hz -----	1
5	B-12747	spline key -----	1
6		BB-E-2-29 ball bearing 10 x 30 x 9 -----	1
7	RR-10-10	RR-E-2-25 retaining ring -----	1
8	C=118239	shaft -----	1
9	B-77840	washer Belleville -----	6
10		WS-10-36 washer I.D. 41/64" x O.D. 7/8" x 1/16" thick -----	1
11	B-13174-1	grease deflector -----	1
12	C-103960	gear 15T 14DP -----	1
13	C-40679	worm wheel and bushing assy 50Hz -----	1
14	C-40847	worm wheel and bushing assy 60Hz -----	1
15		RR-10-16 retaining ring ref 5131-62 -----	1
16		BB-E-2-29 ball bearing 10 x 30 x 9 -----	1
17		SL-2-8 spring reloading -----	1

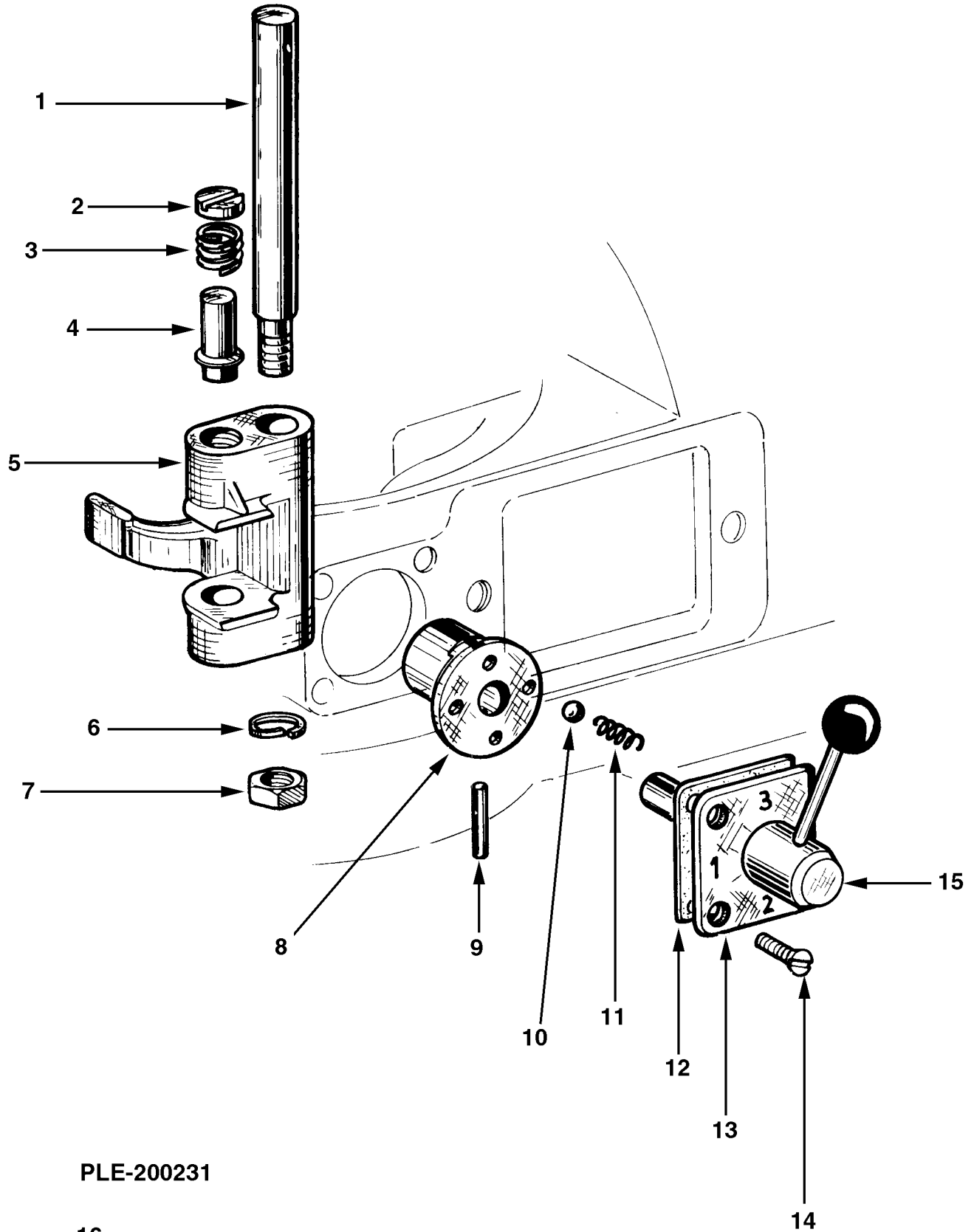




transmission case

A120

key no.	part no.	part name	qty
1		SCM-E-5-44 M6-30mm CSK head screw -----	1
2		SCM-E-4-2 M5-10mm long pan head screw -----	4
3		LWM-E-2-31 M5 single coil lockwasher -----	4
4		SCM-E-5-12 M6-12mm pan head screw -----	3
5	A-136197	bearing retainer - sub assy (C.D.) -----	1
6	B-64871	friction plug -----	2
7		NUM-E-3-8 M6 hex head nut -----	1
8		SCM-E-5-45 M6-40mm pan head screw -----	1
9	D-11800-116	dowel -----	1
10	E-118039-M	case transmission -----	1
11	PL-3-28	WP-E-2-7 welch plug 1-5/16" Ø -----	1
12	PL-3-14	WP-E-2-4 welch plug 15/16" Ø -----	1
13	E-12691-10	cover transmission case -----	1
14	B-136196	retainers and caps sub-assembly -----	1
15		LWM-E-3-3 M6 single coil lockwasher -----	3
16		SCM-E-5-23 M6-16mm long pan head screw -----	4
17		LWM-E-3-3 M6 single coil lockwasher -----	4
18	E-12687-M	support transmission shaft -----	1



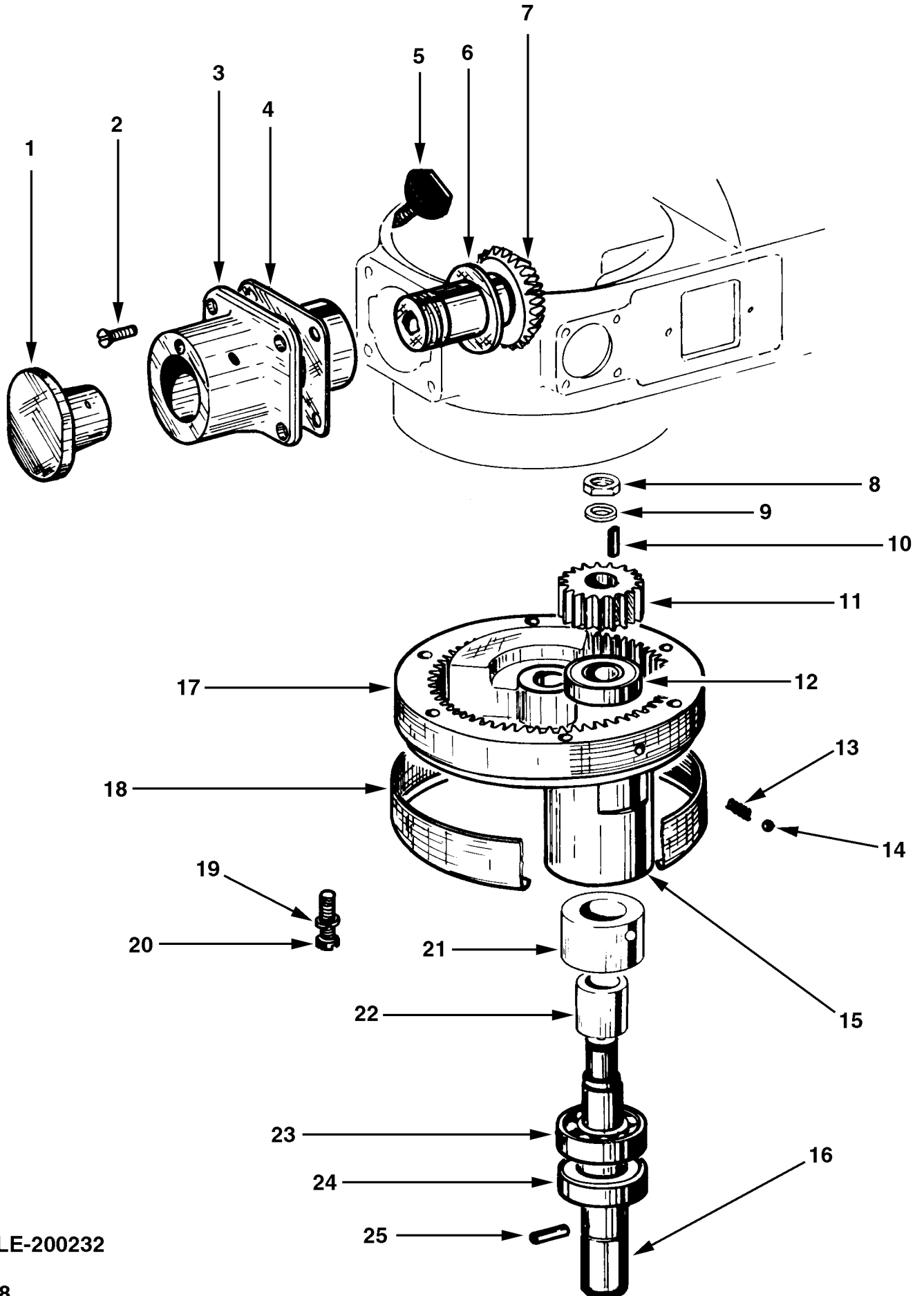
PLE-200231



A120

shifter unit

key no.	part no.	part name	qty
1	B-12735	guide rod shifter -----	1
2	B-12732	retainer shifter yoke spring -----	2
3	B-12754	spring shifter yoke -----	2
4	B-12733	plunger shifter yoke -----	2
5	C-13160	shifter yoke -----	1
6	WL-4-2	LW-E-3-21 lockwasher 3/8" Ø -----	1
7	NS-13-22	NU-E-3-7 3/8" UNC hex nut -----	1
8	B-114506	cam gear shifter -----	1
9		PS-3-8 spiral pin 1/8" x 3/4" -----	1
10		SB-E-2-5 ball 1/4" Ø -----	2
11	B-111170	detent spring -----	2
12	B-23946	gasket shifter plate -----	1
13	A-12726	shifter plate (C.D.) -----	1
14		SCM-E-4-6 M5-12mm long screw rsd csk -----	4
15	141725	HANDLE SHIFER ASSY -----	1
	B-88795	shifter yoke assembly (incl. ref. 2, 3, 4, 5) -----	1
	B-79999	assy. shifter mechanism (incl. 8 to 13, 15) -----	1

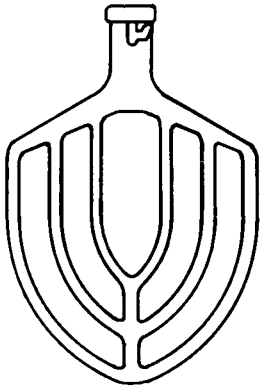




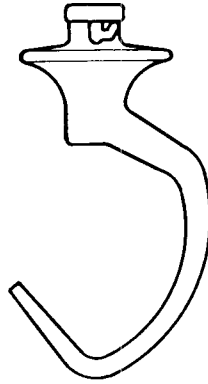
A120

planetary and attachment hub unit

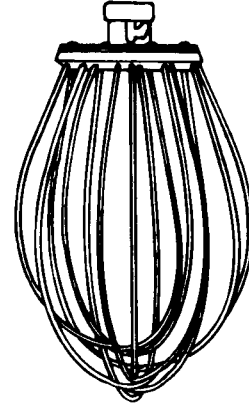
key no.	part no.	part name	qty
1	C-114832-1	cover attachment hub -----	1
2		SCM-E-5-38 M6-20mm long CSK head screw -----	4
3	C-12686-1	attachment hub -----	1
4	B-51401	gasket -----	1
5	B-108197-1	thumb screw assembly -----	1
6	B-12746	washer thrust -----	as reqd
7	C-137286	bevel gear attachment -----	1
8	M-11430-E	special nut -----	2
9	M-11442-E	washer -----	1
10		PK-E-2-10 key -----	1
11	M-12683-E	pinion beater 17T 12P -----	1
12		BB-E-2-39 ball bearing 17 x 40 x 12 -----	1
13	B-7094	spring, ball -----	2
14		SB-E-2-5 ball 1/4" Ø -----	2
15	R-12679-E	planetary -----	1
16	138211	beater shaft -----	1
17	P-12682-E	internal gear -----	1
18	P-12684-E	drip cup -----	1
19		LWM-E-3-3 M6-20mm single coil lockwasher -----	6
20		SCM-E-5-33 M6-20mm long cheese hd. screw -----	6
21	B-12689-M	Outer spacer -----	1
22	M-12688-M	inner spacer -----	1
23		BB-E-2-39 ball bearing 17 x 40 x 12 -----	1
24		OS-E-2-5 oil seal -----	1
25		PP-E-2-45 pin -----	1



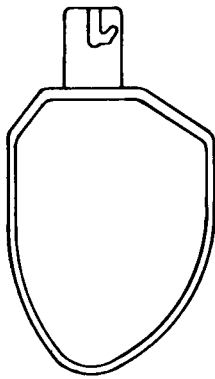
1,2



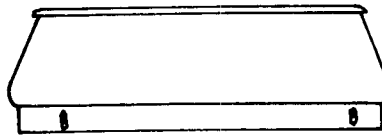
3,4



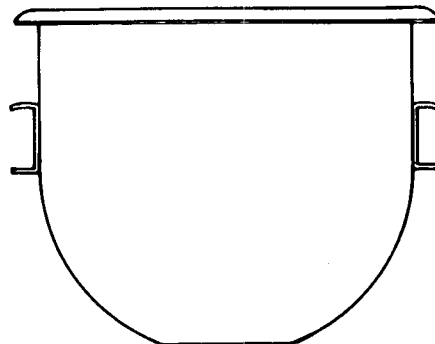
5,6



7,8



9



10,11

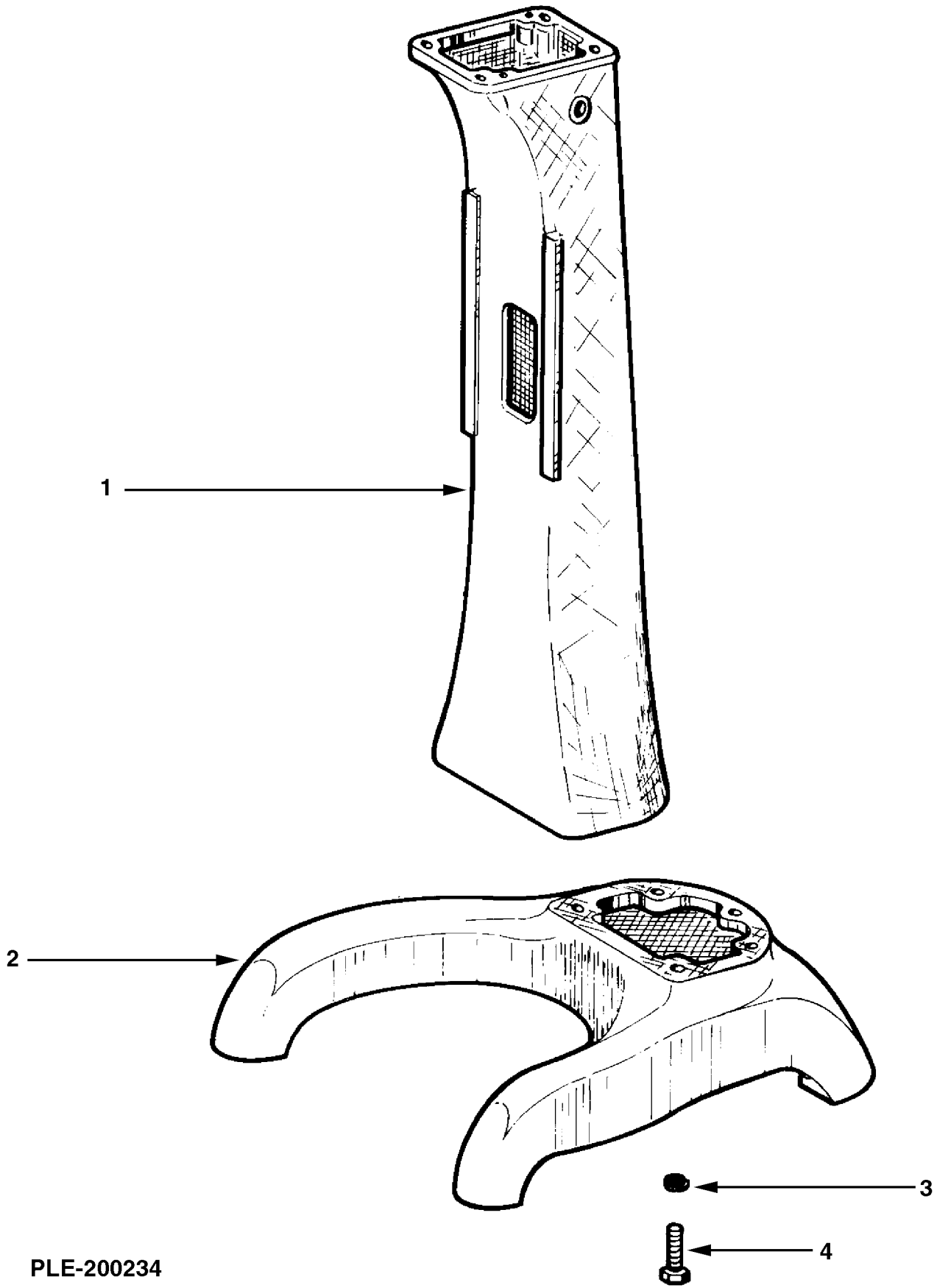
PLE-200233



agitators, bowl

A120

key no.	part no.	part name	qty
1	R-52894	flat beater 8qt 8B	
2	R-52445	flat beater 12qt 12B	
3	R-52446	hook 12qt 12EB	
4	R-53052	hook 12qt 12E	
5	R-52718	assembly wire whip 8qt 8D	
6	R-52447	assembly wire whip 12qt 12D	
7	P-55692	assembly pastry knife 8qt 8PK	
8	P-52450	assembly pastry knife 12 qt 12PK	
9	R-50634	extension rim 12 qt	
10	R-58271	assembly bowl 8 qt (sst)	
11	S-52583	assembly bowl 12 qt (sst)	



PLE-200234



FLOOR MODEL

A120-FM

key no.	part no.	part name	qty
1	E-53562-M	pedestal -----	1
2	R-52081	base -----	1
3		LW-E-3-25 12.7 lockwasher -----	4
4		SCM-E-8-35 M12-45mm hex screws -----	4

As continued product improvements is a policy of HOBART, specifications are subject to change without notice.