

AC 90

AC 100

**PARTI DI RICAMBIO
PIECES DETACHEES
SPARE PARTS
ERSATZTEILE
LISTA DE RECAMBIOS**

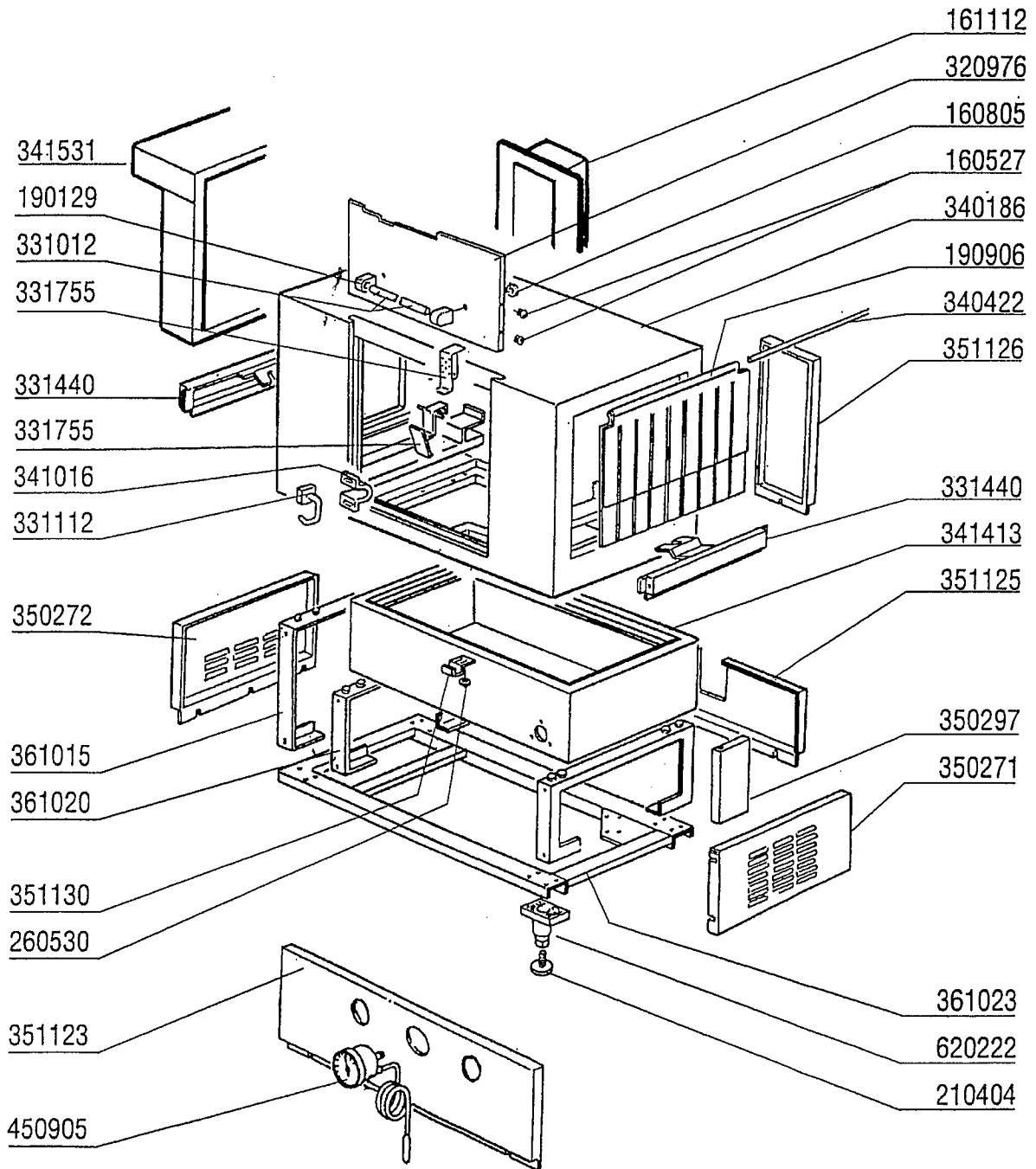
**AC100 - Rack conveyor machines
Table list**

| | |
|----|----------------------------------|
| 1 | Wash Hood |
| 2 | Blower Dryer hood |
| 3 | Wash Tank Components |
| 4 | Wash Assembly AC100 |
| 5 | Rinse AC100 |
| 6 | Pump 3HP |
| 7 | Control Box AC100 |
| 8 | Rack guide - Door+rinse switches |
| 9 | Drive Components |
| 10 | Driving Unit |
| 11 | Side Loading Table |
| 12 | Steam Version |
| 13 | Steam solenoid valve |
| 14 | Steam Condenser |
| 15 | Blower Dryer |
| 16 | Steam Blower Dryer |

**AC100 - Table 1 - Wash Hood
List of pieces**

| Code | Description | Price |
|-------------|-------------------------------------|--------------|
| 160527 | Plug 14,5x2x8 | |
| 160805 | Gasket D.8 | |
| 161112 | Back Cover Channel 300 S N | |
| 190129 | Handle Support Se Ne Grey | |
| 190906 | Curtain In/out S90/s3-620x480 | |
| 210404 | Black Rubber Foot S90 Ne Se | |
| 260530 | Stainl.st Washer 7x22x2 | |
| 320976 | Door | |
| 331012 | Handle 412 Mm Door Se Ne G115 | |
| 331112 | Door Security Hook Se Ne | |
| 331440 | Panel | |
| 331755 | Hook For Door Support | |
| 340186 | Wash Hood | |
| 340422 | Shaft For Curtain S 3°-s New M. | |
| 341016 | Braket For Door Security Hook Ac-ne | |
| 341413 | Wash Tank 1300 | |
| 341531 | Hood | |
| 350271 | Panel | |
| 350272 | Panel | |
| 350297 | Panel | |
| 351123 | Front Panel Wash S2200-2900 | |
| 351125 | Panel | |
| 351126 | Panel | |
| 351130 | Bracket For Panel S-se | |
| 361015 | Frame | |
| 361020 | Frame | |
| 361023 | Frame | |
| 450905 | Capil.thermometer D.52 1,5m | |
| 620222 | Complete Aluminium Legs | |

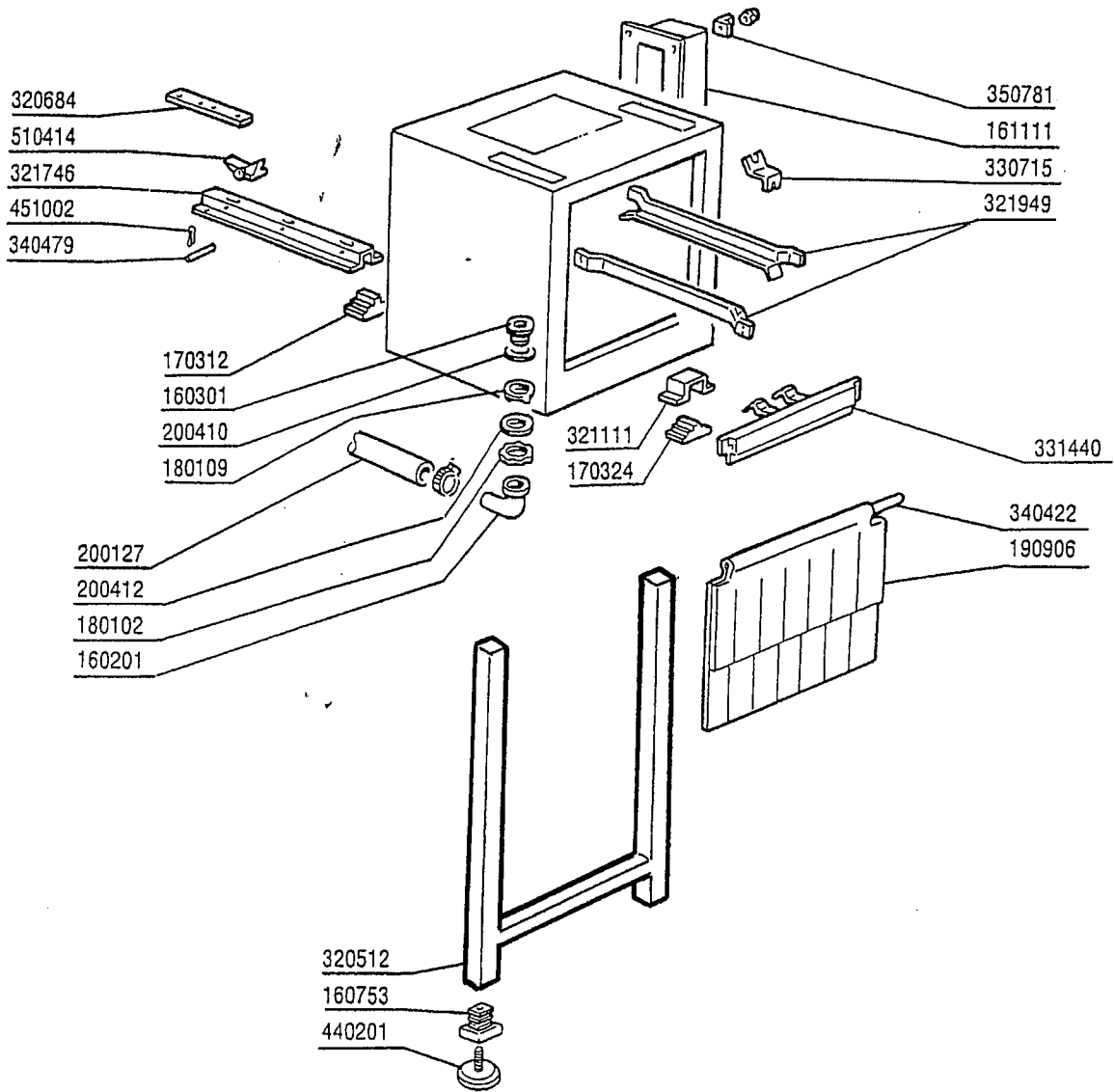
AC100 - Table 1 - Wash Hood



**AC100 - Table 2 - Blower Dryer hood
List of pieces**

| Code | Description | Price |
|-------------|-------------------------------------|--------------|
| 160201 | Elbow F.tank Inlet Moplen | |
| 160301 | Drain Outlet 1"1/2 C-s-n | |
| 160753 | Plug 40x40x1 | |
| 161111 | Back Cover Channel 130 N S2900 | |
| 170312 | Support F.pawl Bar Guide S90-1600 | |
| 170324 | Guide Support Se-s2200-290 | |
| 180102 | Drain Pipe Nut 1"1/2 F45-55 | |
| 180109 | Lock Nut 1 1/2" | |
| 190906 | Curtain In/out S90/s3-620x480 | |
| 200127 | Pvc Hose D.35 | |
| 200410 | Drain Outl.wash.1 1/2"65x47x2 | |
| 200412 | Gasket Drain 1 1/2" 45x33x3 | |
| 320512 | Tables Leg | |
| 320684 | Plate | |
| 321111 | Cover | |
| 321746 | Guide | |
| 321949 | Guide | |
| 330715 | Upper Bracket Curtain Snl-se | |
| 331440 | Panel | |
| 340422 | Shaft For Curtain S 3°-s New M. | |
| 340479 | Pawl Pins Snl-se | |
| 350781 | Bracket | |
| 440201 | Rubber Foot D.60x10 | |
| 451002 | Cotter Pin Stainl.st. D2x12 Uni1336 | |
| 510414 | Nickel-plated Pawl Snl-se | |

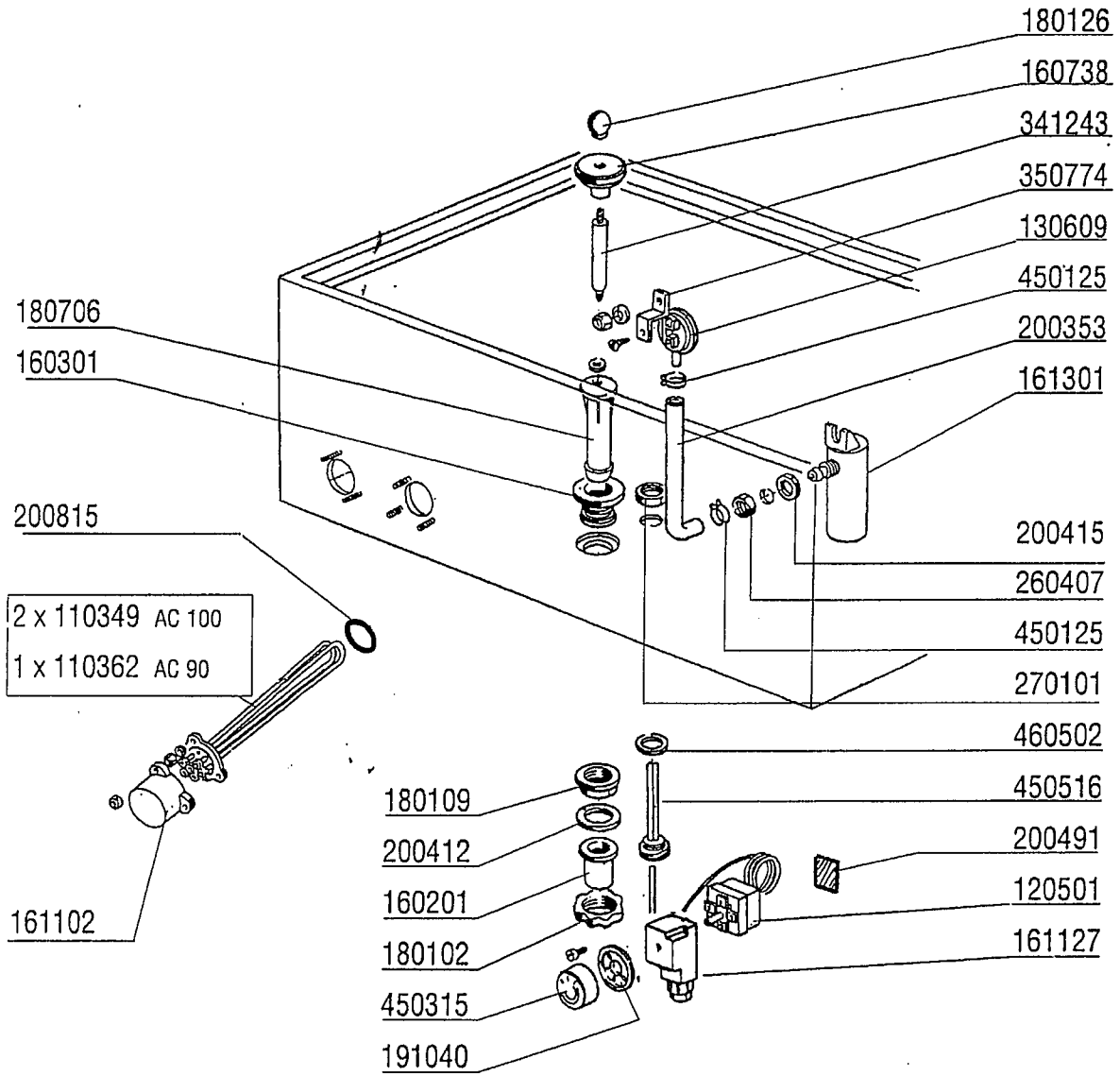
AC100 - Table 2 - Blower Dryer hood



**AC100 - Table 3 - Wash Tank Components
List of pieces**

| Code | Description | Price |
|-------------|-------------------------------------|--------------|
| 110349 | Heat.element 6000w 220/380v | |
| 110362 | Heat.element 9000w 220/380v | |
| 120501 | Thermostat 30/90° Mt 1 Tr/2 | |
| 130609 | 1 Level Pressure Switch 110-70 N 2s | |
| 160201 | Elbow F.tank Inlet Moplen | |
| 160301 | Drain Outlet 1"1/2 C-s-n | |
| 160738 | Cover Plate F.overflow Pipe S2900 | |
| 161102 | Element Cover Mopl. | |
| 161127 | Box For Thermostat | |
| 161301 | Air Trap F2 C34-f45 | |
| 180102 | Drain Pipe Nut 1"1/2 F45-55 | |
| 180109 | Lock Nut 1 1/2" | |
| 180126 | Handle F.overflow Pipe Snl | |
| 180706 | Overflow Standpipe S3 - S New L. | |
| 191040 | Frame F.thermostat Knob | |
| 200353 | Press.switch Hose B23-10-1-2-c34 | |
| 200412 | Gasket Drain 1 1/2" 45x33x3 | |
| 200415 | Air Trap Gasket -f2 18,5x10x3 | |
| 200491 | Back Gasket Of Thermostat Box | |
| 200815 | O-ring F. Heat.elem. | |
| 260407 | Stainless Steel Nuts D10 Uni 5588 | |
| 270101 | Hexagon Lock Nut 1/2" | |
| 341243 | Shaft For Snl/ac90 Overflow | |
| 350774 | Bracket | |
| 450125 | Elastic Clamp D. 10,4x9,8 | |
| 450315 | Knob F. Thermostat 90° | |
| 450516 | Thermostat Shield For 2 Thermostats | |
| 460502 | Gasket 30x21x2 C34-r Asbestos | |

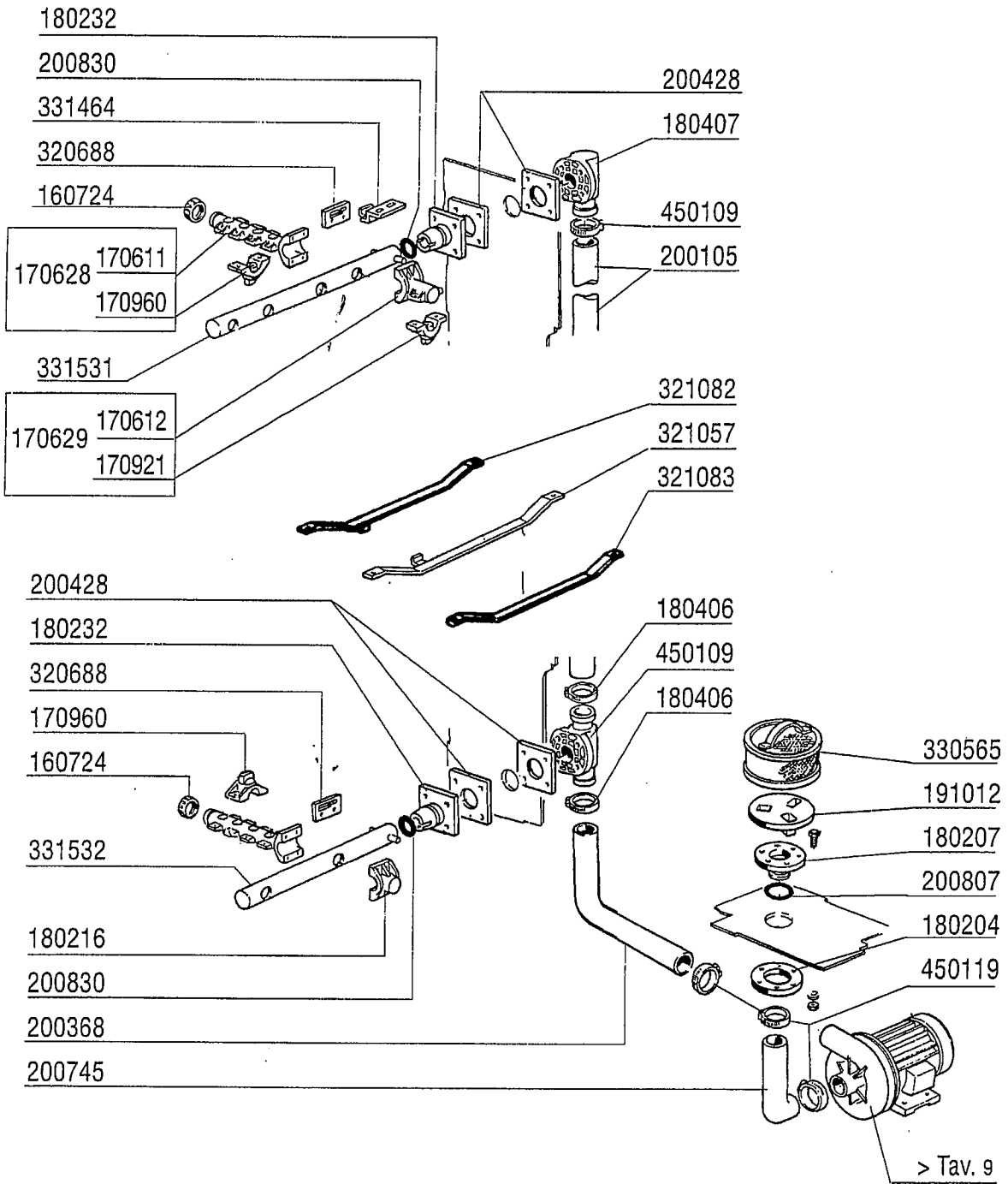
AC100 - Table 3 - Wash Tank Components



AC100 - Table 4 - Wash Assembly AC100
List of pieces

| Code | Description | Price |
|-------------|---------------------------------|--------------|
| 160724 | Plug F. Wash Arm S90 | |
| 170611 | Long Wash Arm S90 -s N L | |
| 170612 | Short Wash Arm S90-s2900 | |
| 170628 | Wash Arm Assembly S1600 | |
| 170629 | Short Wash Arm Assembly | |
| 170921 | Axial Wash Nozzle D 35 | |
| 170960 | Wash Jet 4,5 | |
| 180204 | Counterflange D.130 Suction N S | |
| 180207 | Suction Flange C33/34 | |
| 180216 | Wash Arm Counterflange S90-s NI | |
| 180232 | Wash Arm Flange Sni | |
| 180406 | T-connector F. Washing S90-sni | |
| 180407 | Elbow S90 S N L | |
| 191012 | Vortex Breaker S3°n.l. G65 | |
| 200105 | Rubber Hose 50x60 | |
| 200368 | Outlet Hose S90-s N L | |
| 200428 | Gasket 100x100x44x3 Neoten | |
| 200745 | Inlet Hose Wash. Sni | |
| 200807 | O-ring 3,53 X 110,72 | |
| 200830 | O-ring 37,3x44,5x3,6 | |
| 320688 | Support For S/ac Washarm | |
| 321057 | Lower Wash Arm Support | |
| 321082 | Support | |
| 321083 | Support For "s" Lower Washarm | |
| 330565 | Filter 185x100h Se Ne Sni | |
| 331464 | Support For Upper Wash Arm | |
| 331531 | Upper Wash Arm Sni | |
| 331532 | Lower Wash Arm Ac91/101 | |
| 450109 | Clamp 50-65 | |
| 450119 | Clamp Fe Zn. 58-75 H=12,2 | |

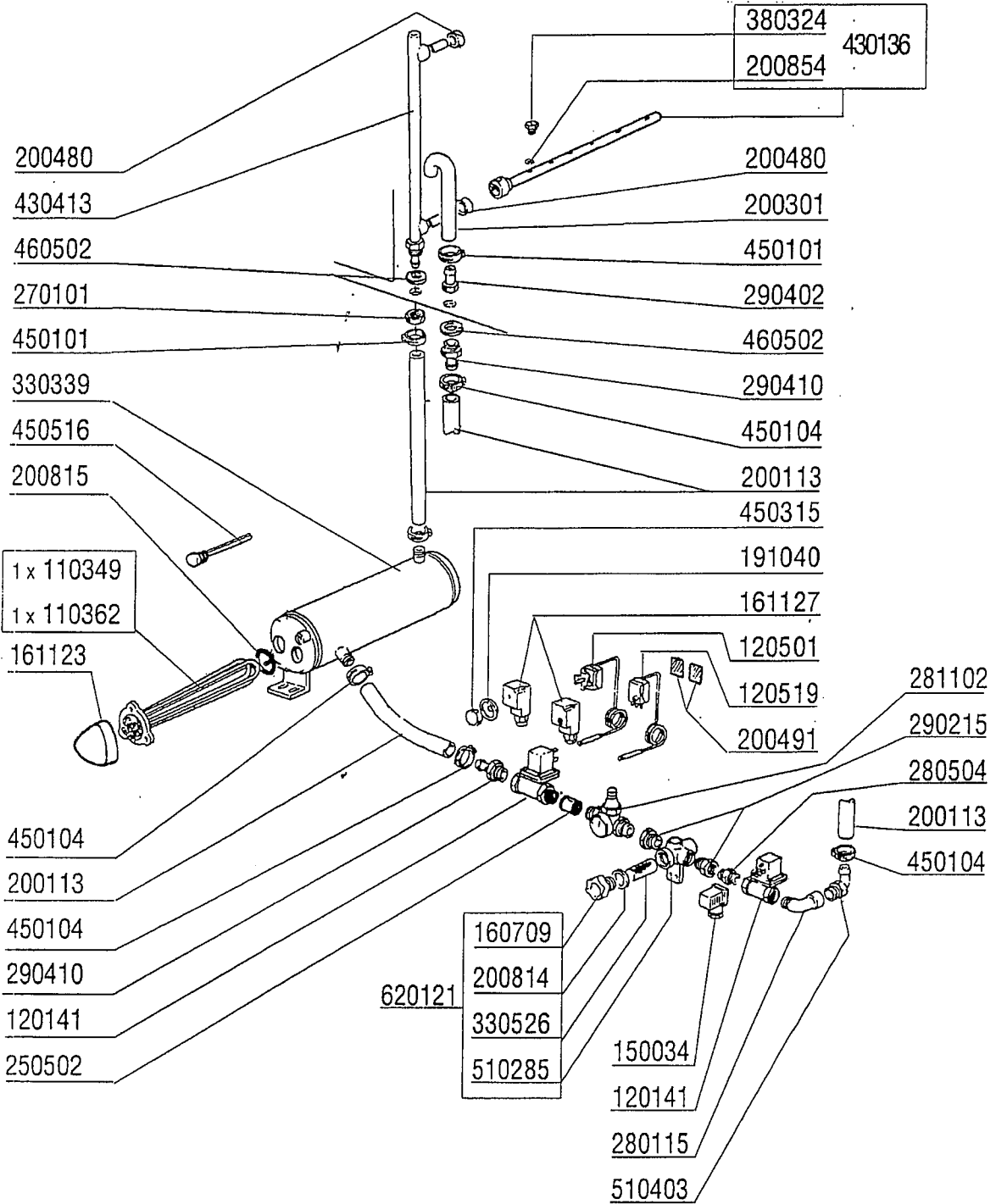
AC100 - Table 4 - Wash Assembly AC100



**AC100 - Table 5 - Rinse AC100
List of pieces**

| Code | Description | Price |
|-------------|-------------------------------------|--------------|
| 110349 | Heat.element 6000w 220/380v | |
| 110362 | Heat.element 9000w 220/380v | |
| 120141 | Solen.valve Metal.328000 D.1/2 V2 | |
| 120501 | Thermostat 30/90° Mt 1 Tr/2 | |
| 120519 | Thermostat 110-130° Sec.ls1 C-g-s | |
| 150034 | Connec.f.solen.valve 122.09.n | |
| 160709 | Knob Of Manifold F. Solen. Valve | |
| 161123 | Heat.element Cover H42 Snl | |
| 161127 | Box For Thermostat | |
| 191040 | Frame F.thermostat Knob | |
| 200113 | Rubber Hose 12 X 22 | |
| 200301 | Hose For Tank Inlet N-s | |
| 200480 | Gasket F. Rinse Connect. | |
| 200491 | Back Gasket Of Thermostat Box | |
| 200814 | O-ring 34,52x41,58x3,53 | |
| 200815 | O-ring F. Heat.elem. | |
| 200854 | O-ring For Nozzle Of S/s Rinse Arm | |
| 250502 | Elbow 3/4" St/st | |
| 270101 | Hexagon Lock Nut 1/2" | |
| 280115 | Ell 1/2" | |
| 280504 | Manifold Conn.hose | |
| 281102 | 1/2" Adj Valve C/w Gauge Type 535 | |
| 290215 | 1/2"bsp M/f Union Brass | |
| 290402 | Nipple F.1/2" Brass | |
| 290410 | Nipple 1/2" | |
| 330339 | Boiler D.220x640 F.two Heat.element | |
| 330526 | Filters 22x28 Solenoid V.manifold | |
| 380324 | Rinse Jets 52,5 80° Ov1/8" | |
| 430136 | Rinse Arm S-se-se/1 | |
| 430413 | Rinse Column Se-acr | |
| 450101 | Stainless Steel Clamp 15-24 H=12.2 | |
| 450104 | Clamp Fe Zn H=12,5 15-24 | |
| 450315 | Knob F. Thermostat 90° | |
| 450516 | Thermostat Shield For 2 Termostats | |
| 460502 | Gasket 30x21x2 C34-r Asbestos | |
| 510285 | Solenoid Valve Manifold - Brass - | |
| 510403 | Connect.hose 90° 1/2"x12 | |
| 620121 | Twin Solenoid Valve Manifold | |

AC100 - Table 5 - Rinse AC100

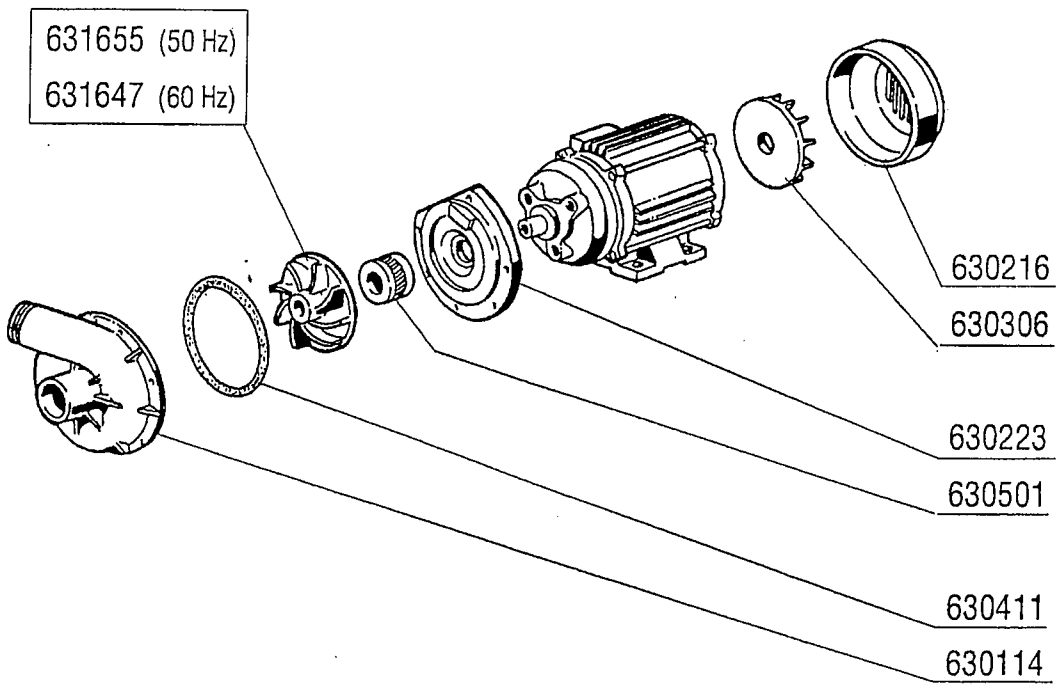
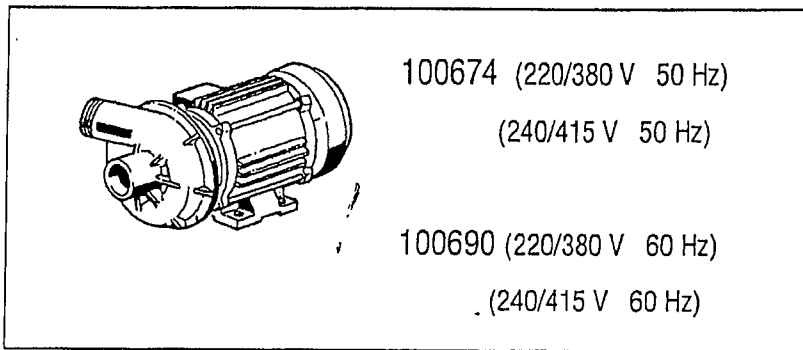




AC100 - Table 6 - Pump 3HP
List of pieces

| Code | Description | Price |
|-------------|----------------------------------|--------------|
| 100674 | Pump Hp 2,7 220/380v 50-1205 | |
| 100690 | Pump 2,7hp 220/380 60hz 1205 | |
| 630114 | Volute Fi Hp2-2,7-3-3,2 12 | |
| 630216 | Fan Housing Fi Hp 2-3 | |
| 630223 | Back Plate Pump Hp2-3-3,2 | |
| 630306 | Pump Fan Impellor Fi Hp.2-3 | |
| 630411 | O-ring Pump Fi Hp 2-2,7 | |
| 630501 | Seal For Pump Hp 2-3-3,2 | |
| 631647 | Impeller F.1204/5 Hp2 60hz D.100 | |
| 631655 | Pump Impeller Hp 2,7 -1205 | |

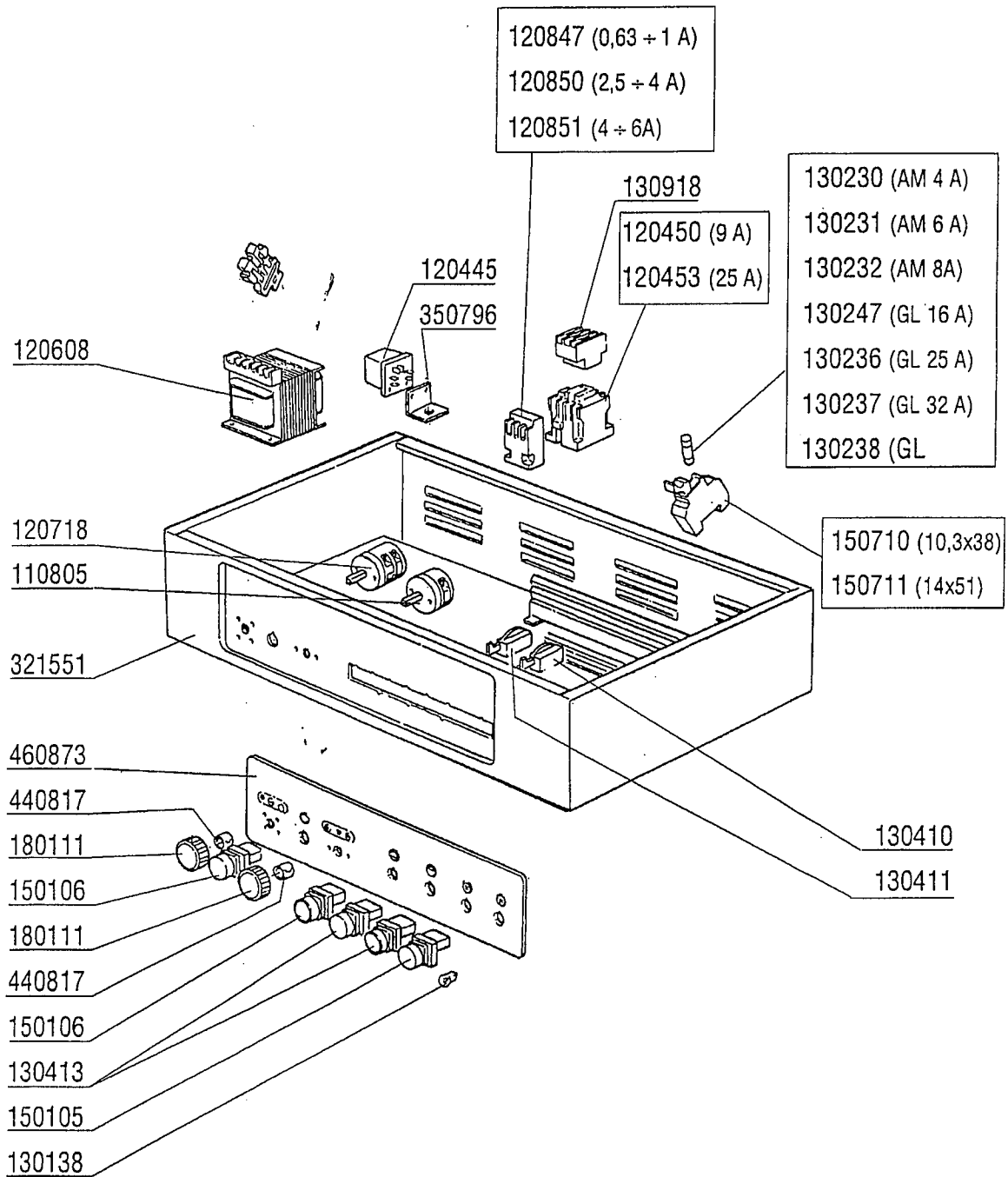
AC100 - Table 6 - Pump 3HP



**AC100 - Table 7 - Control Box AC100
List of pieces**

| Code | Description | Price |
|-------------|-------------------------------------|--------------|
| 110805 | Switch Threepole S3° A1205/pl 52 | |
| 120445 | Auxiliary Relay S.b2/3 24v Se-acr | |
| 120450 | Contacto 9a 24v 4kw 3ff3010 | |
| 120453 | Contacto 25a 24v 11kw 3ff3300 | |
| 120608 | Transformer 150va220-240-380-415/24 | |
| 120718 | Switch 25 Amp Four-pole 500v | |
| 120847 | Overload Relay 0,63/1a 3ua5000-0j | |
| 120850 | Overload Relay 2,5/4a 3ua5000-1e | |
| 120851 | Overload Relay 4/6a 3ua5000-1g | |
| 130138 | Light With Bayonet Coupling 3w 30v | |
| 130230 | Fuse 10,3x38 4a Am13004 | |
| 130231 | Fuse 10,3x38 6a Am13006 | |
| 130232 | Fuse 10,3x38 8a Am13008 | |
| 130236 | Fuse 14x51 25a Gf14325 | |
| 130237 | Fuse 14x51 32a Gf14332 | |
| 130238 | Fuse 14x51 40a Gf 14340 | |
| 130247 | Fuse 10.3x38 16a Gf13316 | |
| 130410 | Stop Contact F40 Cn Red | |
| 130411 | Start Contact Yellow | |
| 130413 | Black Push Button | |
| 130918 | Contact No 3tx4010 2a | |
| 150105 | Lamp Red D.22x5 | |
| 150106 | Lamp Green 22x5 | |
| 150710 | Fuse Carrier 10,3x38 Art.21401 | |
| 150711 | Fuse Carrier 14x51 Art.21501 | |
| 180111 | Black Knob | |
| 321551 | Box | |
| 350796 | Bracket F. Relay Support S | |
| 440817 | Snap Ring Lscb/1853/17/00 | |
| 460873 | Control Panel | |

AC100 - Table 7 - Control Box AC100

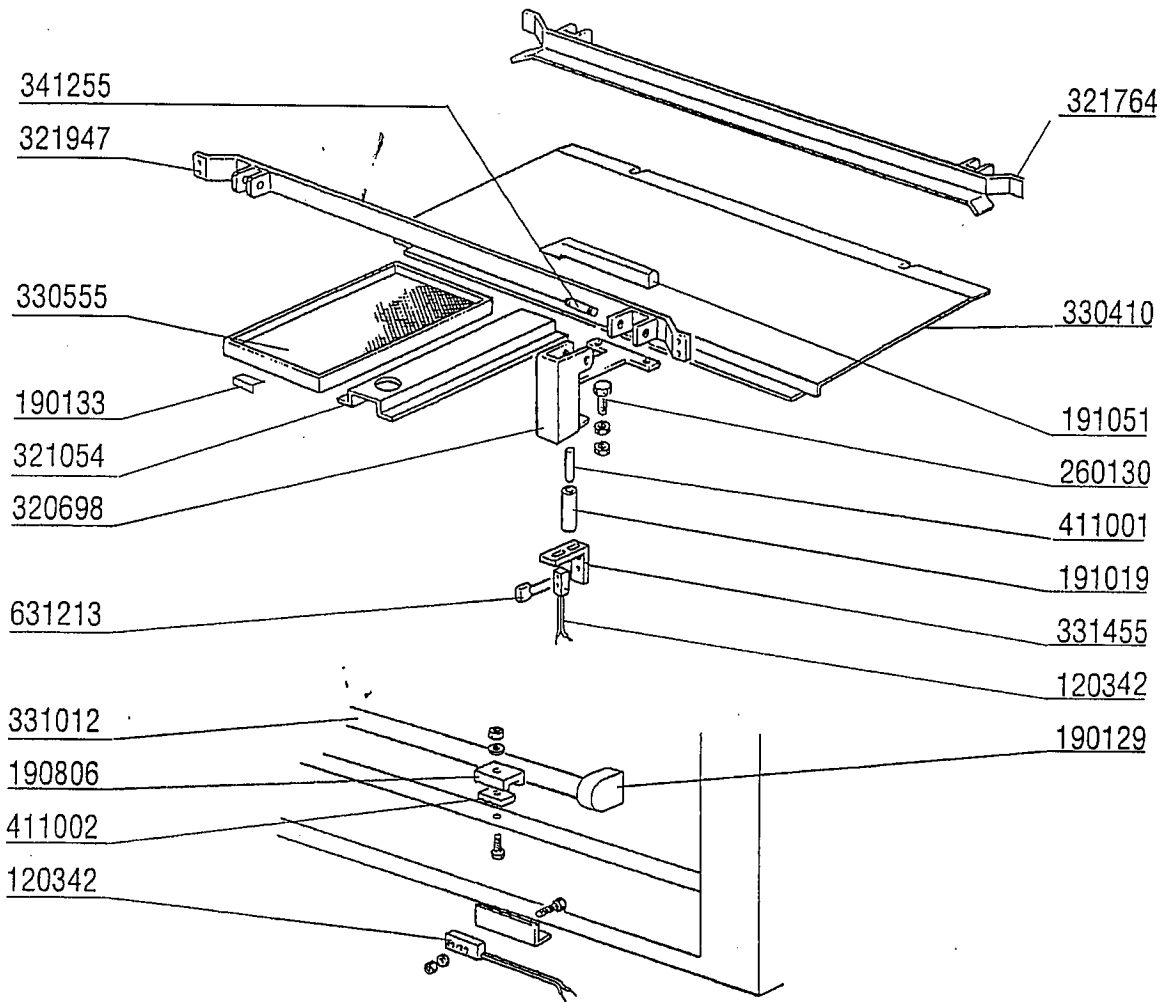




**AC100 - Table 8 - Rack guide - Door+rinse switches
List of pieces**

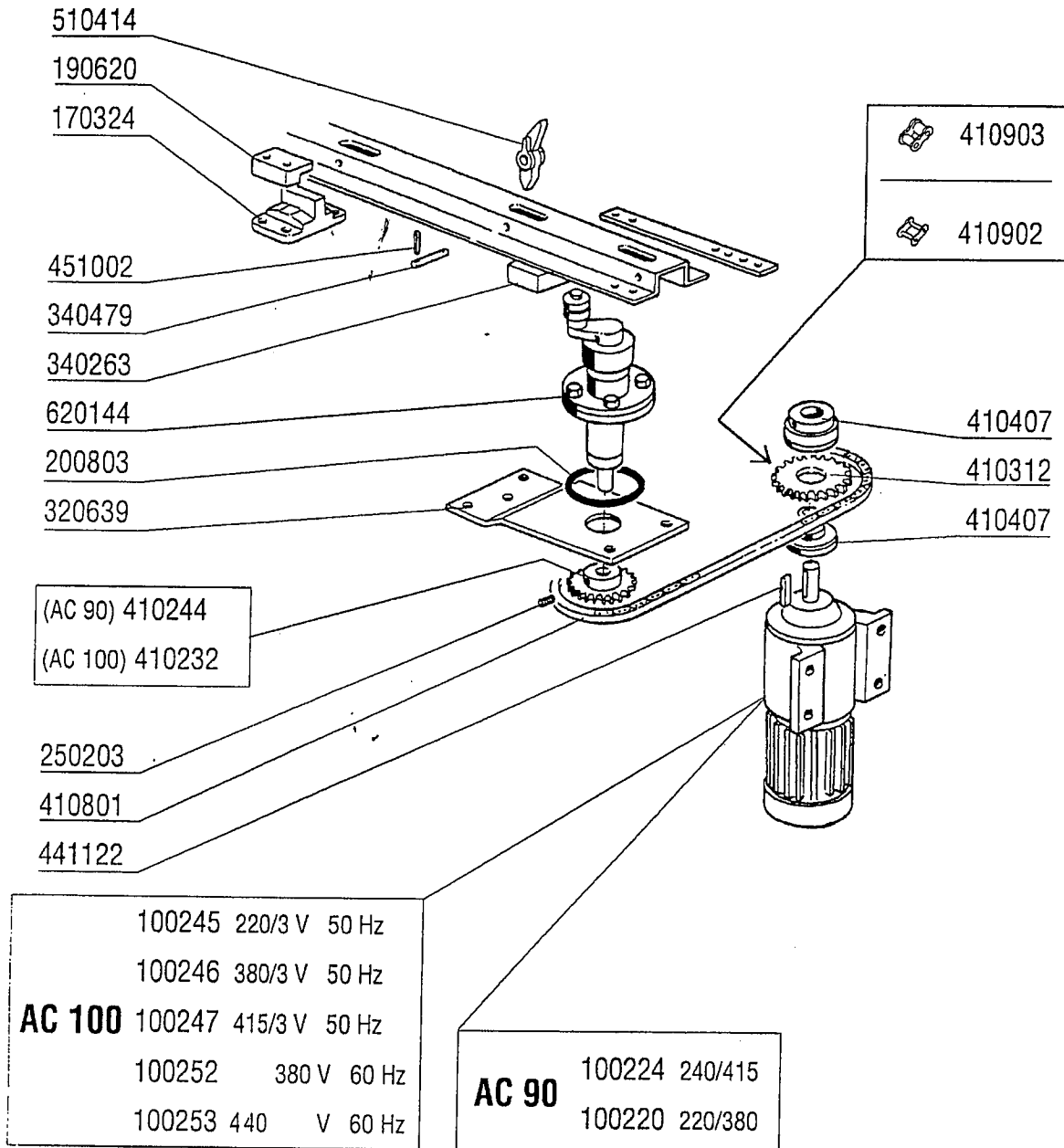
| Code | Description | Price |
|-------------|-----------------------------------|--------------|
| 120342 | Magnetic Switch C165-acr | |
| 190129 | Handle Support Se Ne Grey | |
| 190133 | Strainer Support Se Snl | |
| 190806 | Magnet Housing | |
| 191019 | Magnet Housing S90 Mopl.-s.n.l | |
| 191051 | Sliding Pad Se Snl Economizer | |
| 260130 | Screw Te 10x50 S/s | |
| 320698 | Lever For Economizer Se Snl | |
| 321054 | Support | |
| 321764 | Guide | |
| 321947 | Guide | |
| 330410 | Deflector For Wash | |
| 330555 | Wash Filter Se-s2200-2900 | |
| 331012 | Handle 412 Mm Door Se Ne G115 | |
| 331455 | Bracket For Rinse Microswitch Acr | |
| 341255 | Pin For Economizer Se Snl | |
| 411001 | Permanent Magnet 8x40 | |
| 411002 | Permanent Magnet 24x12 | |
| 631213 | Condenser 0,1mf | |

AC100 - Table 8 - Rack guide - Door+rinse switches



**AC100 - Table 9 - Drive Components
List of pieces**

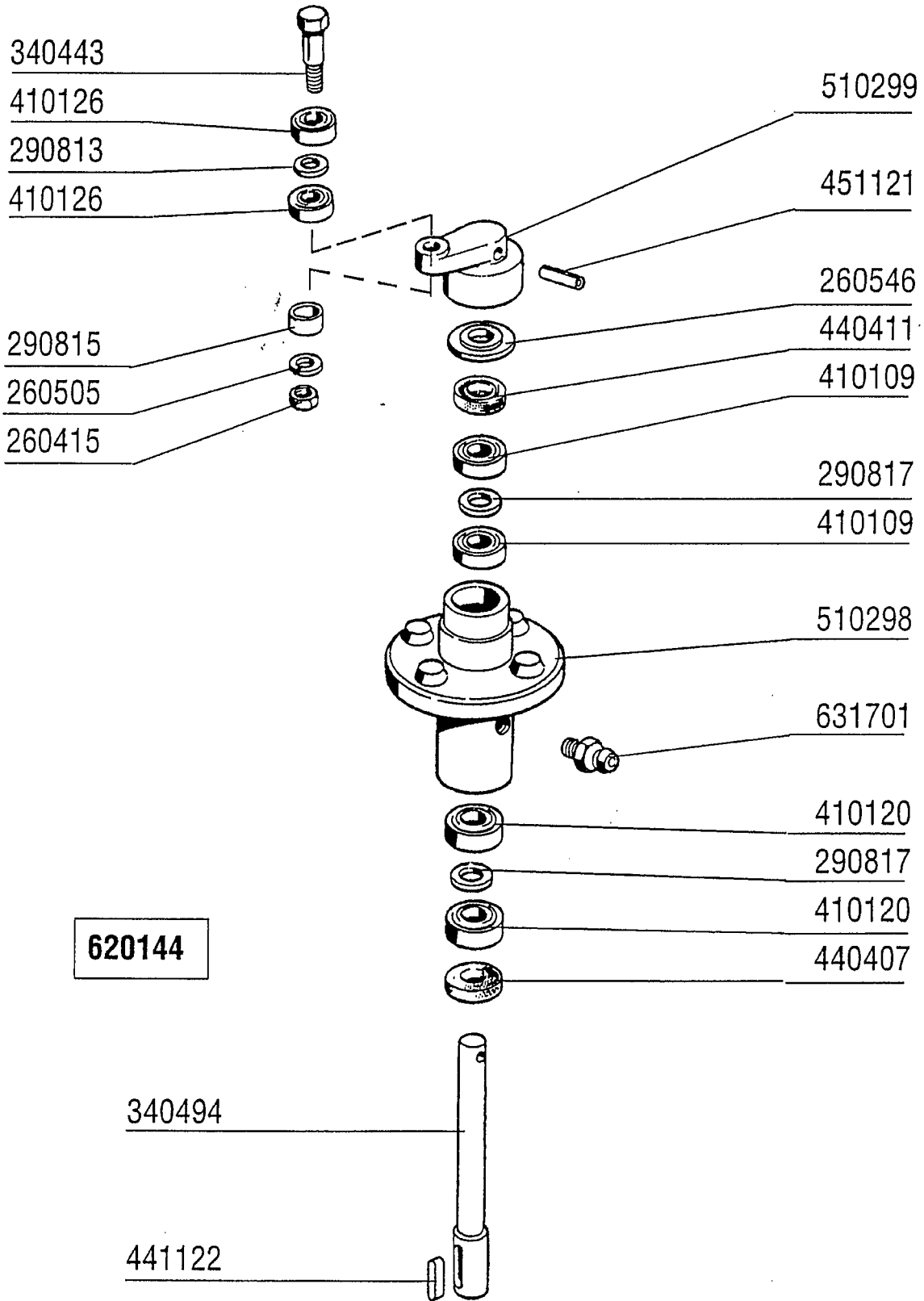
| Code | Description | Price |
|-------------|-------------------------------------|--------------|
| 100220 | Drive Si Mhcr 71/3 220/380v50 | |
| 100224 | Drive Si Mhcr 71/3 240/415v50 | |
| 100245 | Drive Kw 0,1/0,15 220/3 Sk01-711 | |
| 100246 | Drive Kw 0,1-0,15 380/3 | |
| 100247 | Drive Kw 0,1-0,15 415/3 Sk01-711 | |
| 100252 | Drive Motor 0,1-0,15kw 380/60 | |
| 100253 | Drive Motor 0,1-0,15kw 440/60 Sk01 | |
| 170324 | Guide Support Se-s2200-290 | |
| 190620 | Clamping Pieces S 3 | |
| 200803 | Or Gasket 3,53x98,02x105,08 | |
| 250203 | Grub Screw 8x12 | |
| 320639 | Plate | |
| 340263 | Channel For Bearing S90-s New | |
| 340479 | Pawl Pins Snl-se | |
| 410232 | Turned Pinion Z25-1/2"-d.20 | |
| 410244 | Pinion Z34 | |
| 410312 | Crown Discs 22t | |
| 410407 | Torque Limiter Lc 1 | |
| 410801 | Drive Chain 1/2" N-s | |
| 410902 | False Chain Link 1/2" | |
| 410903 | Chain Joint 1/2" | |
| 441122 | Drive Shaft Key 6x6x25 Uni 6604 | |
| 451002 | Cotter Pin Stainl.st. D2x12 Uni1336 | |
| 510414 | Nickel-plated Pawl Snl-se | |
| 620144 | Drive Assembly | |

AC100 - Table 9 - Drive Components


**AC100 - Table 10 - Driving Unit
List of pieces**

| Code | Description | Price |
|-------------|-------------------------------------|--------------|
| 260415 | Stainless Steel Self-locking Nut 8m | |
| 260505 | Stainl.steel Flat Washer D8 Uni6592 | |
| 260546 | Sliding Washer Stainless Steel | |
| 290813 | Packing Pieces Brass S-f2 | |
| 290815 | Distance Piece S3° Brass | |
| 290817 | Brass Distance Piece 24x14 | |
| 340443 | Crank Shoulder Pin | |
| 340494 | Drive Shaft S 3° | |
| 410109 | Bearings 17x40x12 6203 | |
| 410120 | Ball Bearing 17x35x10 | |
| 410126 | Bearing 6201-2rs Z15 | |
| 440407 | Seal Mim 20x35x7 | |
| 440411 | Seal 17x40x7 | |
| 441122 | Drive Shaft Key 6x6x25 Uni 6604 | |
| 451121 | Elast.roll Pins 6x30 Din Stainl.st | |
| 510298 | Drive Housing S 3° | |
| 510299 | Nickeplated Brass Drive Crank S3° | |
| 620144 | Drive Assembly | |
| 631701 | Grease Nipple 9003 | |

AC100 - Table 10 - Driving Unit

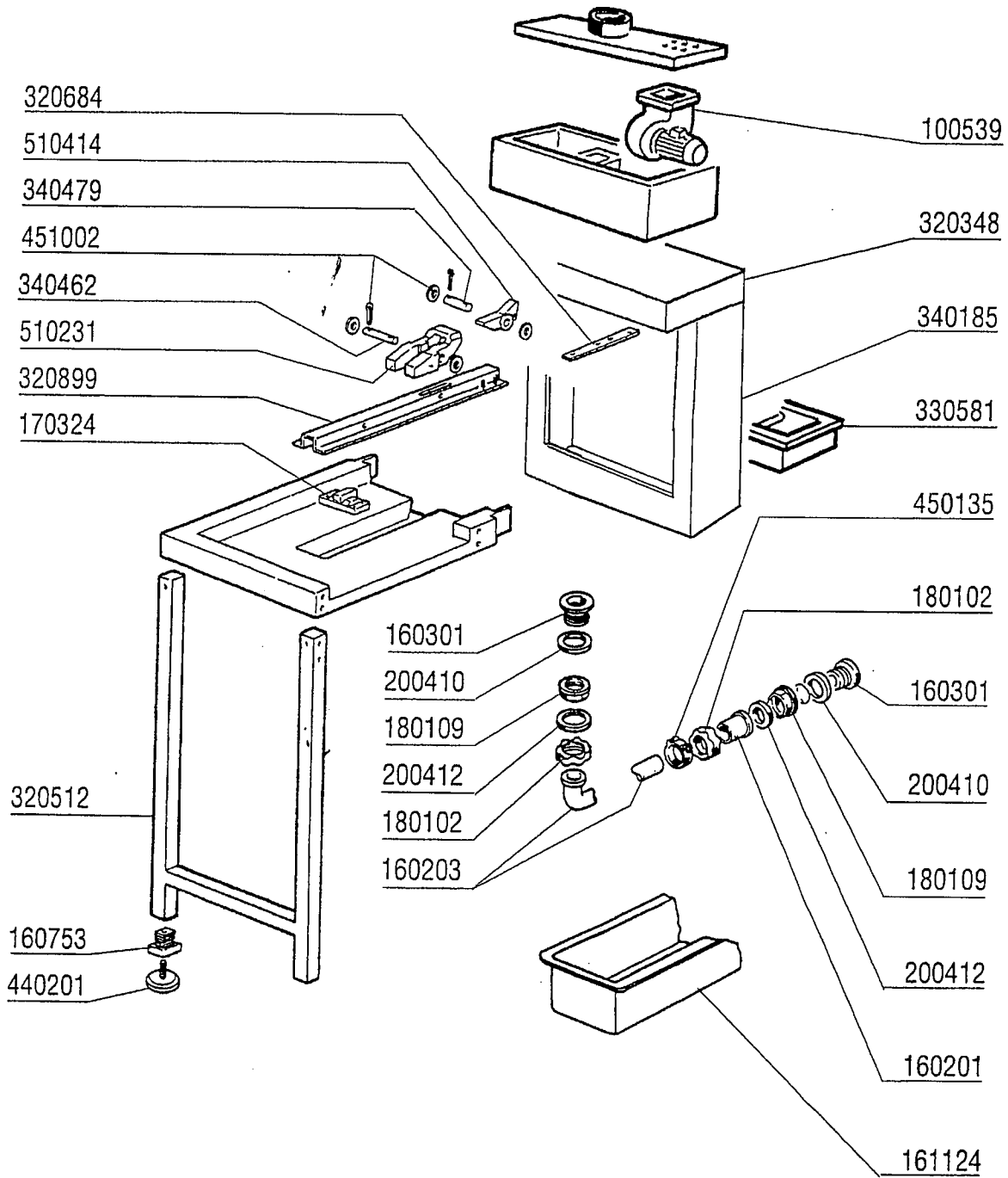




AC100 - Table 11 - Side Loading Table
List of pieces

| Code | Description | Price |
|-------------|-------------------------------------|--------------|
| 100539 | Exhaust Fan F.splash Guard 220/380 | |
| 160201 | Elbow F.tank Inlet Moplen | |
| 160203 | Elbow 1"1/2 N-s-f-c /drain | |
| 160301 | Drain Outlet 1"1/2 C-s-n | |
| 160753 | Plug 40x40x1 | |
| 161124 | Drying Outlet Hose Protection Snl | |
| 170324 | Guide Support Se-s2200-290 | |
| 180102 | Drain Pipe Nut 1"1/2 F45-55 | |
| 180109 | Lock Nut 1 1/2" | |
| 200410 | Drain Outl.wash.1 1/2"65x47x2 | |
| 200412 | Gasket Drain 1 1/2" 45x33x3 | |
| 320348 | Base Top For Splash Hood | |
| 320512 | Tables Leg | |
| 320684 | Plate | |
| 320899 | Guide | |
| 330581 | Drawer Filter Extention Hoods Acr | |
| 340185 | Hood | |
| 340462 | Short Tray Carrier Pin Gm-s2900a | |
| 340479 | Pawl Pins Snl-se | |
| 440201 | Rubber Foot D.60x10 | |
| 450135 | Clamp Fe Zn. 44-56 H=12,2 | |
| 451002 | Cotter Pin Stainl.st. D2x12 Uni1336 | |
| 510231 | Pawl /corner Load. | |
| 510414 | Nickel-plated Pawl Snl-se | |

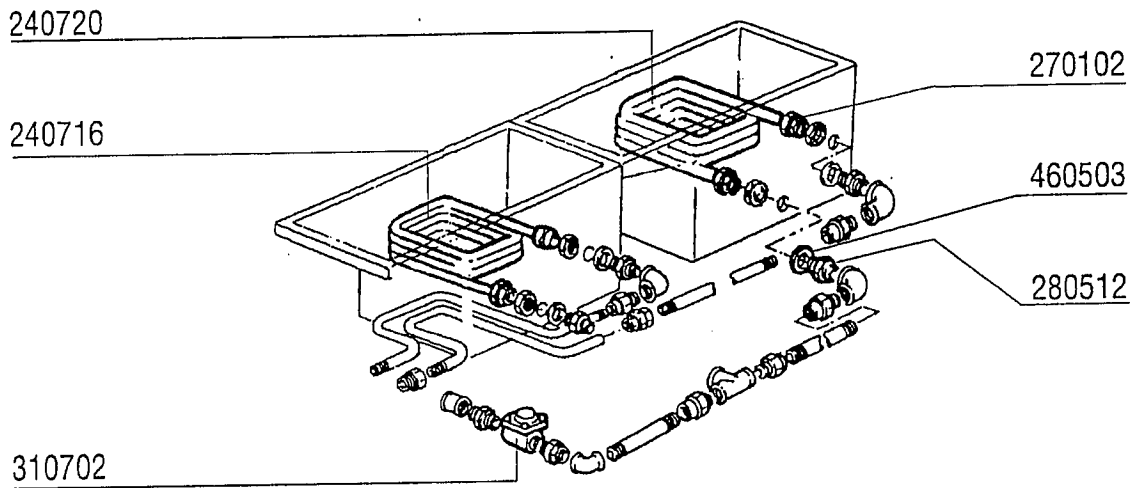
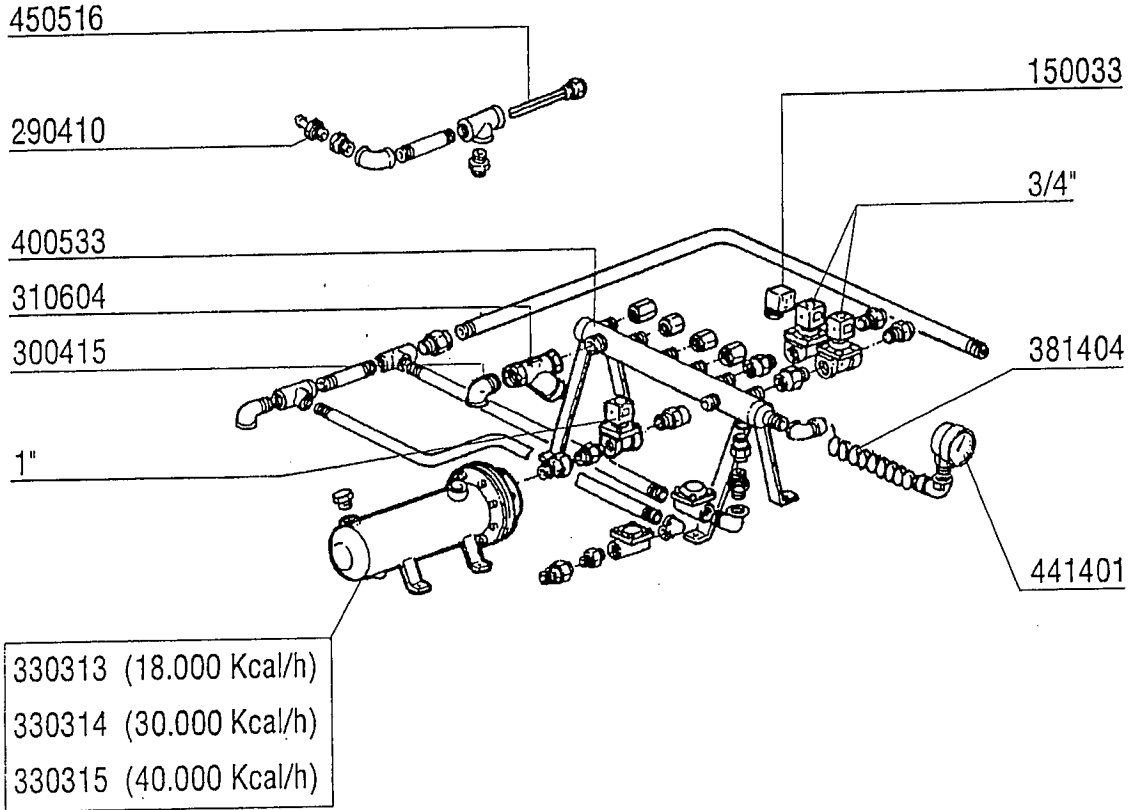
AC100 - Table 11 - Side Loading Table





AC100 - Table 12 - Steam Version
List of pieces

| Code | Description | Price |
|-------------|-------------------------------------|--------------|
| 150033 | Connec.f.solen.valve 182.09.n | |
| 240716 | Steam Coil G66-s3 | |
| 240720 | S/s Steam Coil 12.000kcal Acr/g125 | |
| 270102 | Lock Nut 3/4" | |
| 280512 | Steam Coil Connection | |
| 290410 | Nipple 1/2" | |
| 300415 | EII 2" Mf | |
| 310604 | Strainers Ju 2" Mod.45 | |
| 310702 | Steam Trap 1/2" Mk 25/3 | |
| 330313 | Steam Boiler 18000kcal/h | |
| 330314 | Steam Boiler 30000 Kcal/h | |
| 330315 | Steam Boiler 40000kcal/h | |
| 381404 | Hose Steam Gauge | |
| 400533 | St/st Steam Manifold For Ne Machine | |
| 441401 | Pressure Gauge 60 Scalo-4cr1/4 | |
| 450516 | Thermostat Shield For 2 Termostats | |
| 460503 | Sealing Washer 38x27x2(3/4)asbestos | |

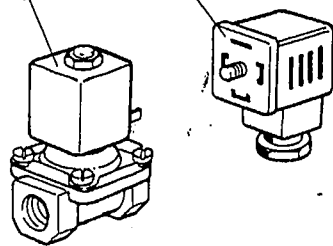


**AC100 - Table 13 - Steam solenoid valve
List of pieces**

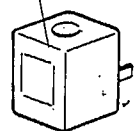
| Code | Description | Price |
|-------------|-------------------------------------|--------------|
| 120162 | Solenoid Valve L145r1z734a 3/4 V.24 | |
| 120163 | Solen.val.st.l145r1z234a 1"v.24/50 | |
| 120165 | Solen.valve St.24v50hz 3/4"g L153d1 | |
| 120166 | Solen.valve Steam 1" 24v-50 L153d2 | |
| 150033 | Connec.f.solen.valve 182.09.n | |
| 630625 | Kit F.solen.valve | |
| 630626 | Kit For Solenoid Valve 145 1" Tp | |
| 630628 | Kit F.solen.v.l153d1 3/4" G2677501 | |
| 630629 | Kit Solenoid Valve 1" Steam L153d2 | |
| 630972 | Coil Z234a V.24 Xsolen.valve L145 | |
| 630973 | Coil Xsolen.valve Tp Z734a L145 | |
| 630976 | Coil Solen.valve Z334d 24v L153 1" | |

150033

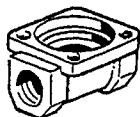
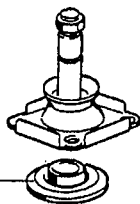
120166 (1')
120165 (3/4')



630976 (1')
630972 (3/4')

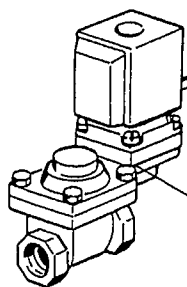


630629 (1')
630628 (3/4')

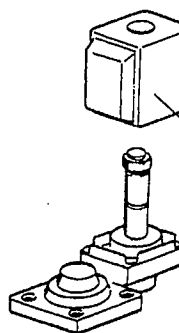
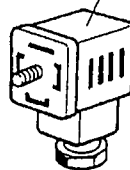


0 ÷ 2 bar

150033

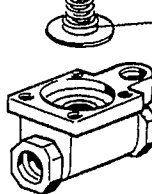


120163 (1')
120162 (3/4')



630972 (1')
630973 (3/4')

630626 (1')
630625 (3/4')

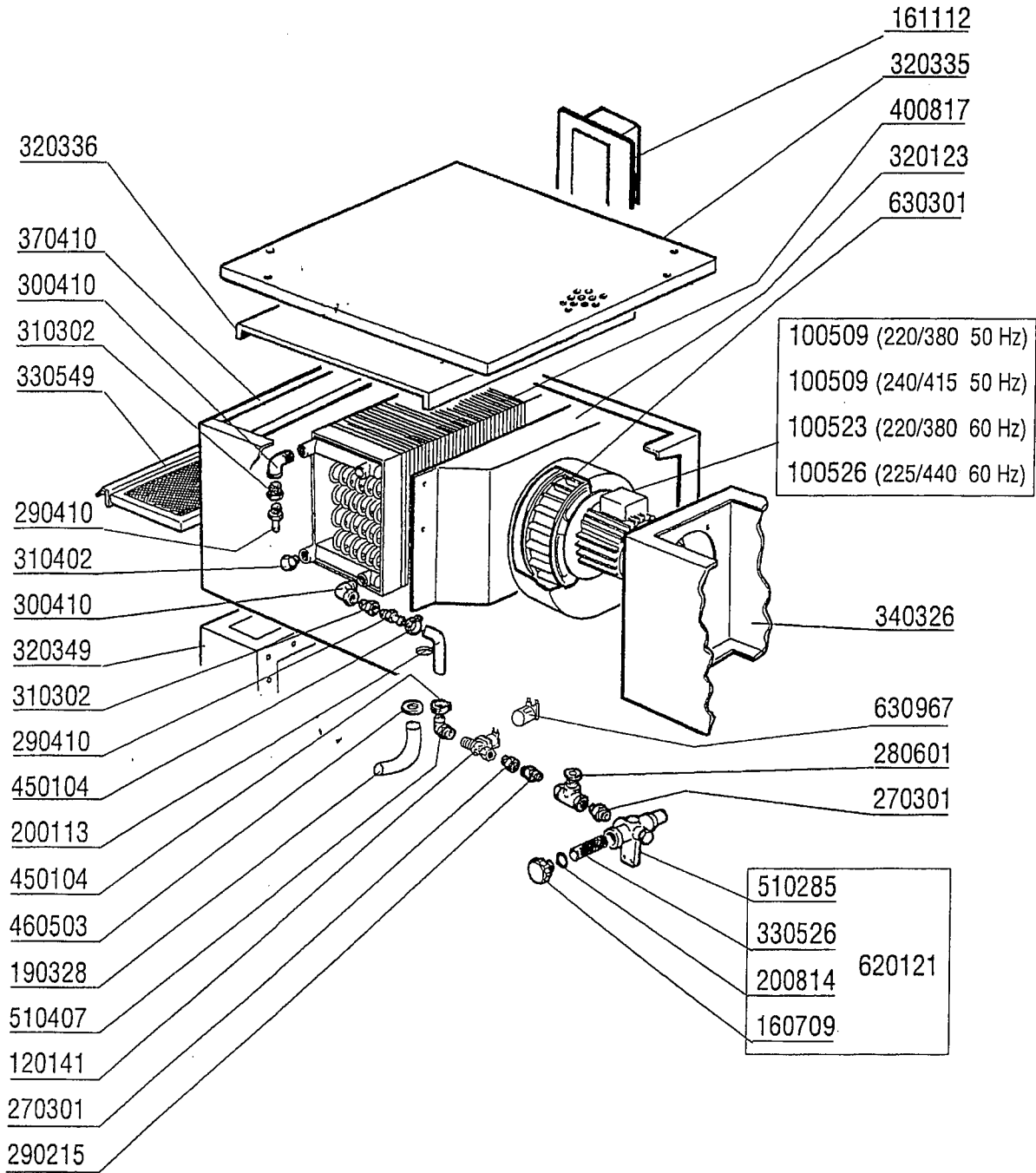


0,5 ÷ 2,5 bar

**AC100 - Table 14 - Steam Condenser
List of pieces**

| Code | Description | Price |
|-------------|-------------------------------------|--------------|
| 100509 | Fan Hp 0,75 220/380v | |
| 100523 | Fan 0,75 Hp 220/380v-60hz | |
| 100526 | Fan Hp 0,75 255/440-60-vr184 | |
| 120141 | Solen.valve Metal.328000 D.1/2 V2 | |
| 160709 | Knob Of Manifold F. Solen. Valve | |
| 161112 | Back Cover Channel 300 S N | |
| 190328 | Drain 3/4" | |
| 200113 | Rubber Hose 12 X 22 | |
| 200814 | O-ring 34,52x41,58x3,53 | |
| 270301 | Brass Nipples 1/2" | |
| 280601 | Gate Valve 1/2" Brass | |
| 290215 | 1/2"bsp M/f Union Brass | |
| 290410 | Nipple 1/2" | |
| 300410 | Ell 3/4" Mf | |
| 310302 | Nipple 3/4"-1/2" | |
| 310402 | Plug 3/4" | |
| 320123 | Vortex Breaker F.steam Condenser Se | |
| 320335 | Top Panel For Steam Condenser | |
| 320336 | Top Panel For Steam Condenser | |
| 320349 | Top For Splash Hood With Steam Cond | |
| 330526 | Filters 22x28 Solenoid V.manifold | |
| 330549 | Condensate Unit Filter | |
| 340326 | Panel | |
| 370410 | Condenser Module | |
| 400817 | Battery For Steam Condenser + Dryer | |
| 450104 | Clamp Fe Zn H=12,5 15-24 | |
| 460503 | Sealing Washer 38x27x2(3/4)asbestos | |
| 510285 | Solenoid Valve Manifold - Brass - | |
| 510407 | Nipple For Boiler N S | |
| 620121 | Twin Solenoid Valve Manifold | |
| 630301 | Fan Impellor For Flight C164/2 | |
| 630967 | Coil 24v Solen.valve 328004 | |

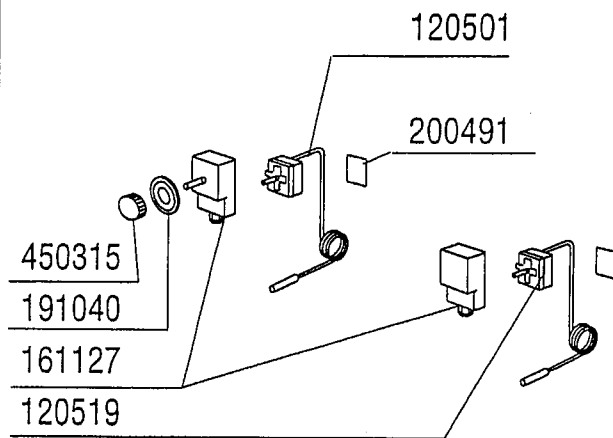
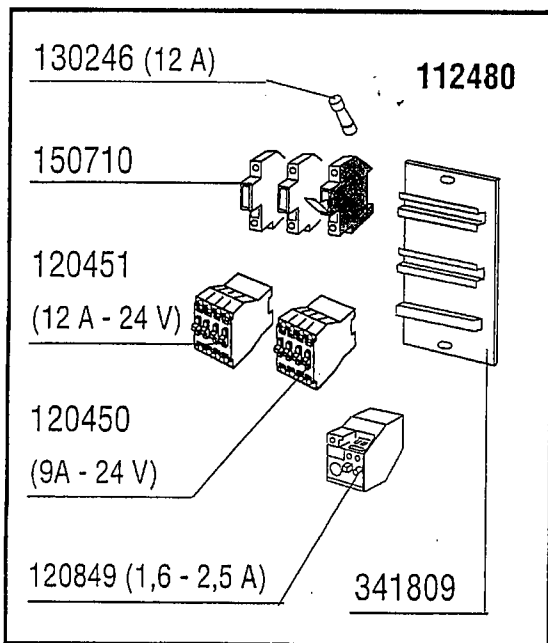
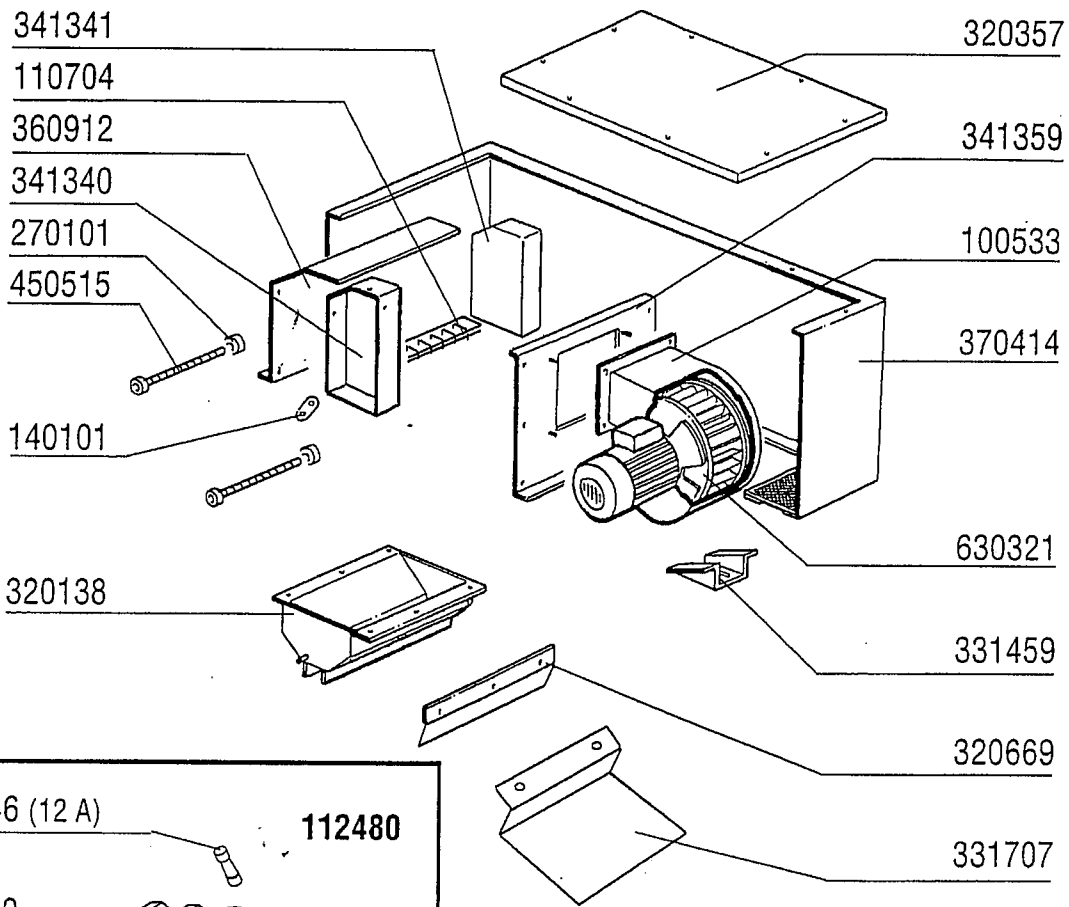
AC100 - Table 14 - Steam Condenser



**AC100 - Table 15 - Blower Dryer
List of pieces**

| Code | Description | Price |
|-------------|-------------------------------------|--------------|
| 100533 | Fan Hp 1 220-240-380-415v Vrp25 | |
| 110704 | Heat.element/drying 1000w 220v | |
| 112480 | Wiring Dryer "ac91/101/95/105" | |
| 120450 | Contactora 9a 24v 4kw 3tf3010 | |
| 120451 | Contactora 12a 24v 5,5kw 3tf3100 | |
| 120501 | Thermostat 30/90° Mt 1 Tr/2 | |
| 120519 | Thermostat 110-130° Sec.ls1 C-g-s | |
| 120849 | Overload Relay 1,6/2,5a 3ua5000-1c | |
| 130246 | Fuse 10.3x38 12a Gf13312 | |
| 140101 | Brass Connect. Plate Heat.elem.dry. | |
| 150710 | Fuse Carrier 10,3x38 Art.21401 | |
| 161127 | Box For Thermostat | |
| 191040 | Frame F.thermostat Knob | |
| 200491 | Back Gasket Of Thermostat Box | |
| 270101 | Hexagon Lock Nut 1/2" | |
| 320138 | Deflector F. Dryer | |
| 320357 | Dryer Cover | |
| 320669 | Fixing Plate | |
| 331459 | Bracket For Drying Ventilator | |
| 331707 | Bracket | |
| 341340 | Left Support | |
| 341341 | Right Support | |
| 341359 | Fan Support | |
| 341809 | Dryer Support Ac | |
| 360912 | Back Panel | |
| 370414 | Drying Module | |
| 450315 | Knob F. Thermostat 90° | |
| 450515 | Stainl.st.shield For 1 Thermostat | |
| 630321 | Fan Impellor For C 100533 1hp | |

AC100 - Table 15 - Blower Dryer

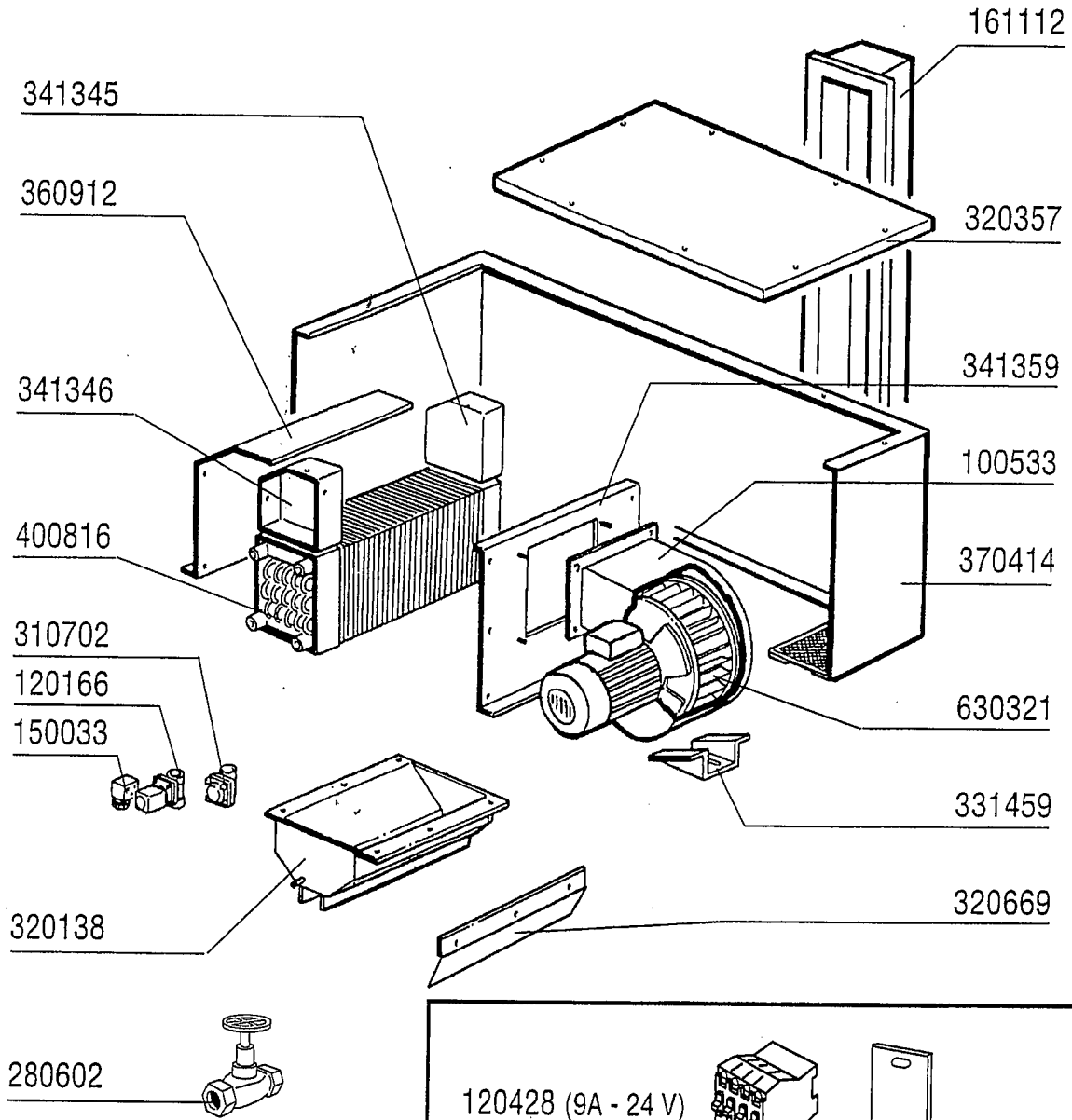


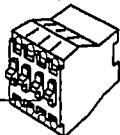

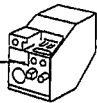


AC100 - Table 16 - Steam Blower Dryer
List of pieces

| Code | Description | Price |
|-------------|------------------------------------|--------------|
| 100533 | Fan Hp 1 220-240-380-415v Vrp25 | |
| 120166 | Solen.valve Steam 1" 24v-50 L153d2 | |
| 120428 | Contactora 9a 24v50hz | |
| 120849 | Overload Relay 1,6/2,5a 3ua5000-1c | |
| 150033 | Conec.f.solen.valve 182.09.n | |
| 161112 | Back Cover Channel 300 S N | |
| 280602 | Gate Valve 3/4" Brass | |
| 310702 | Steam Trap 1/2" Mk 25/3 | |
| 320138 | Deflector F. Dryer | |
| 320357 | Dryer Cover | |
| 320669 | Fixing Plate | |
| 331459 | Bracket For Drying Ventilator | |
| 341345 | Right Panel | |
| 341346 | Left Panel | |
| 341359 | Fan Support | |
| 341810 | Steam Condenser Support For Ac | |
| 360912 | Back Panel | |
| 370414 | Drying Module | |
| 400816 | Battery For Drying (6kw) S | |
| 630321 | Fan Impellor For C 100533 1hp | |

AC100 - Table 16 - Steam Blower Dryer



| | | |
|----------------------|--|---|
| 120428 (9A - 24 V) |  |  |
| 120849 (1,6 - 2,5 A) |  | |