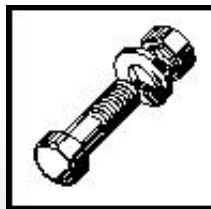


HOBART

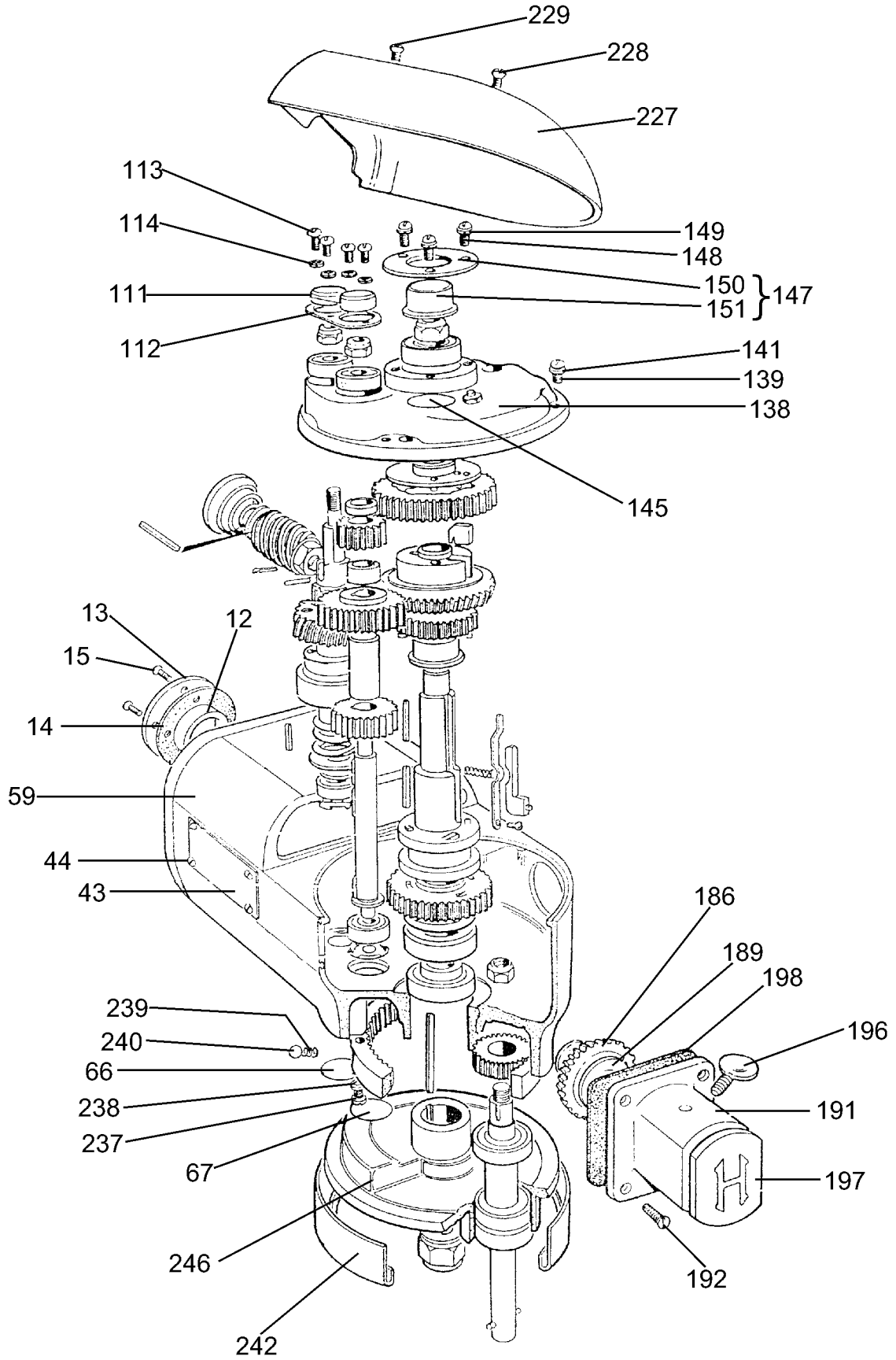


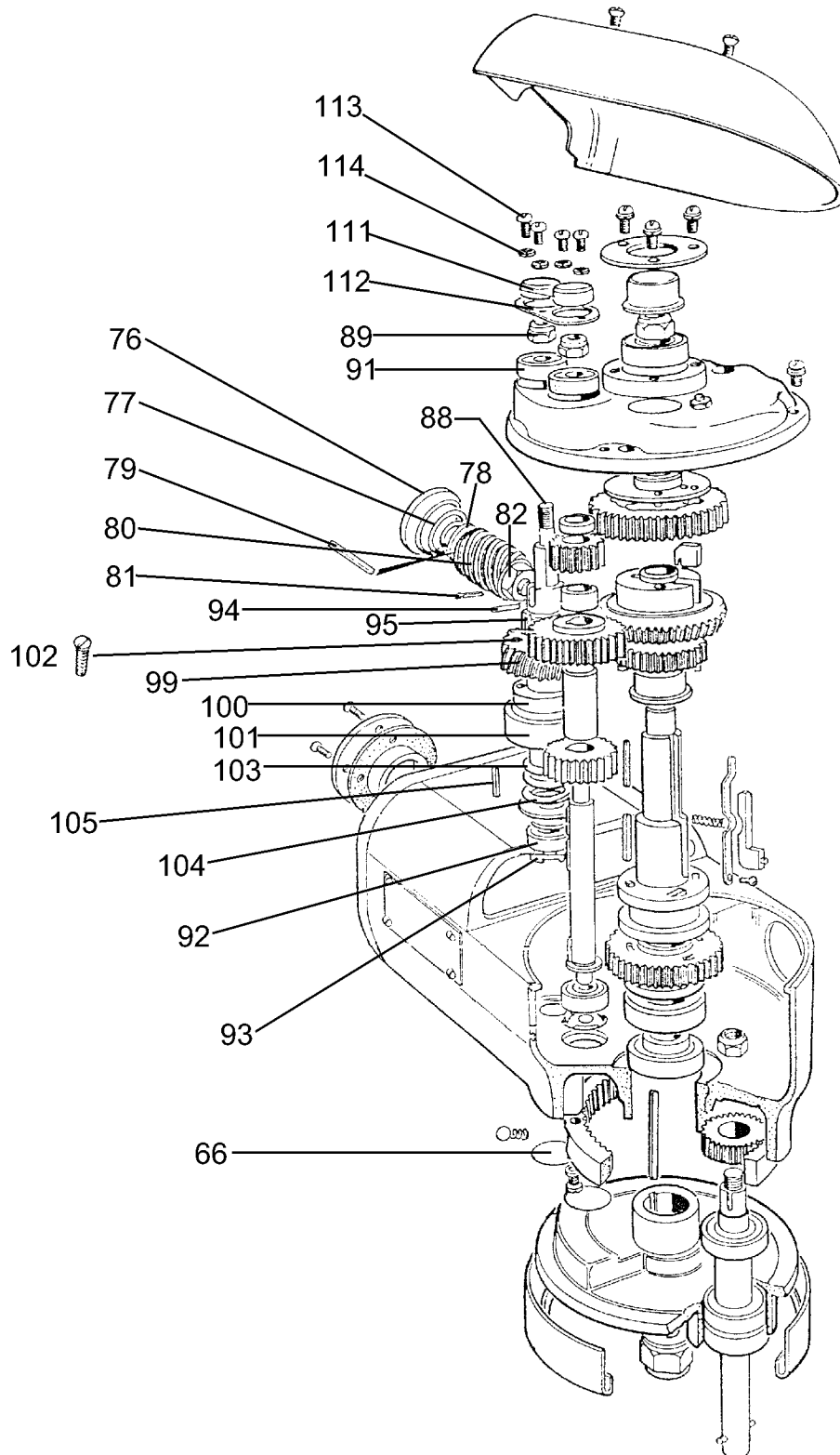
MIXER
AE200



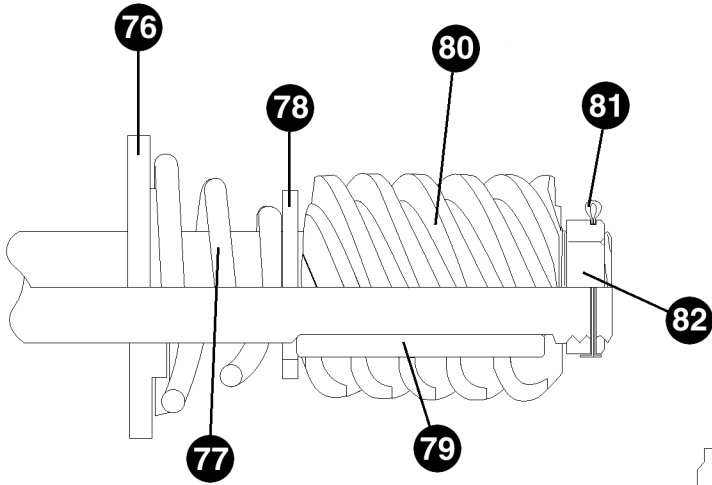
Spare Parts

CE

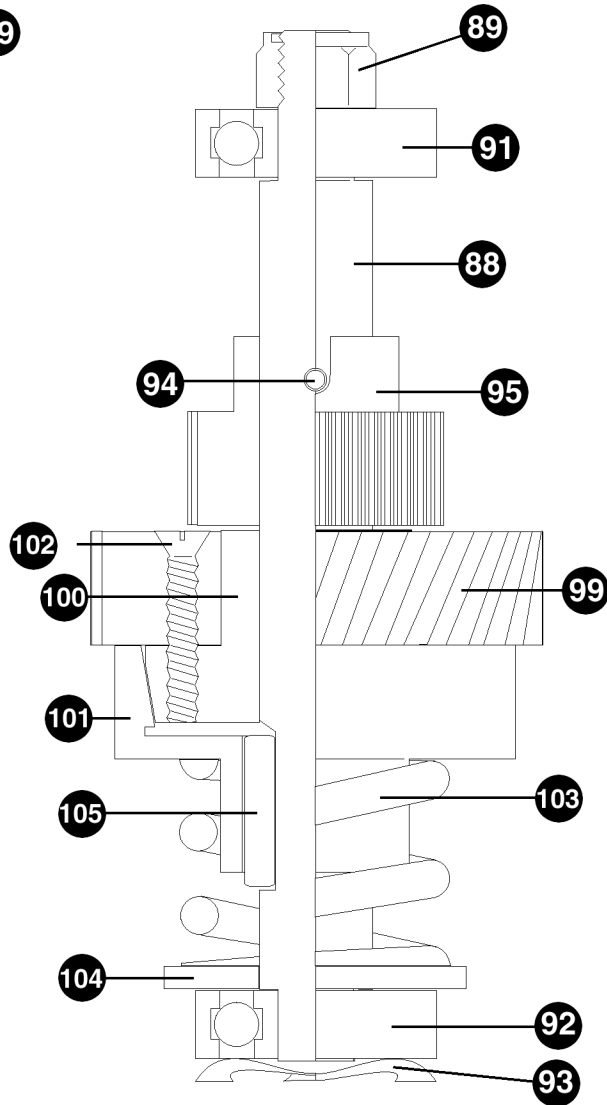




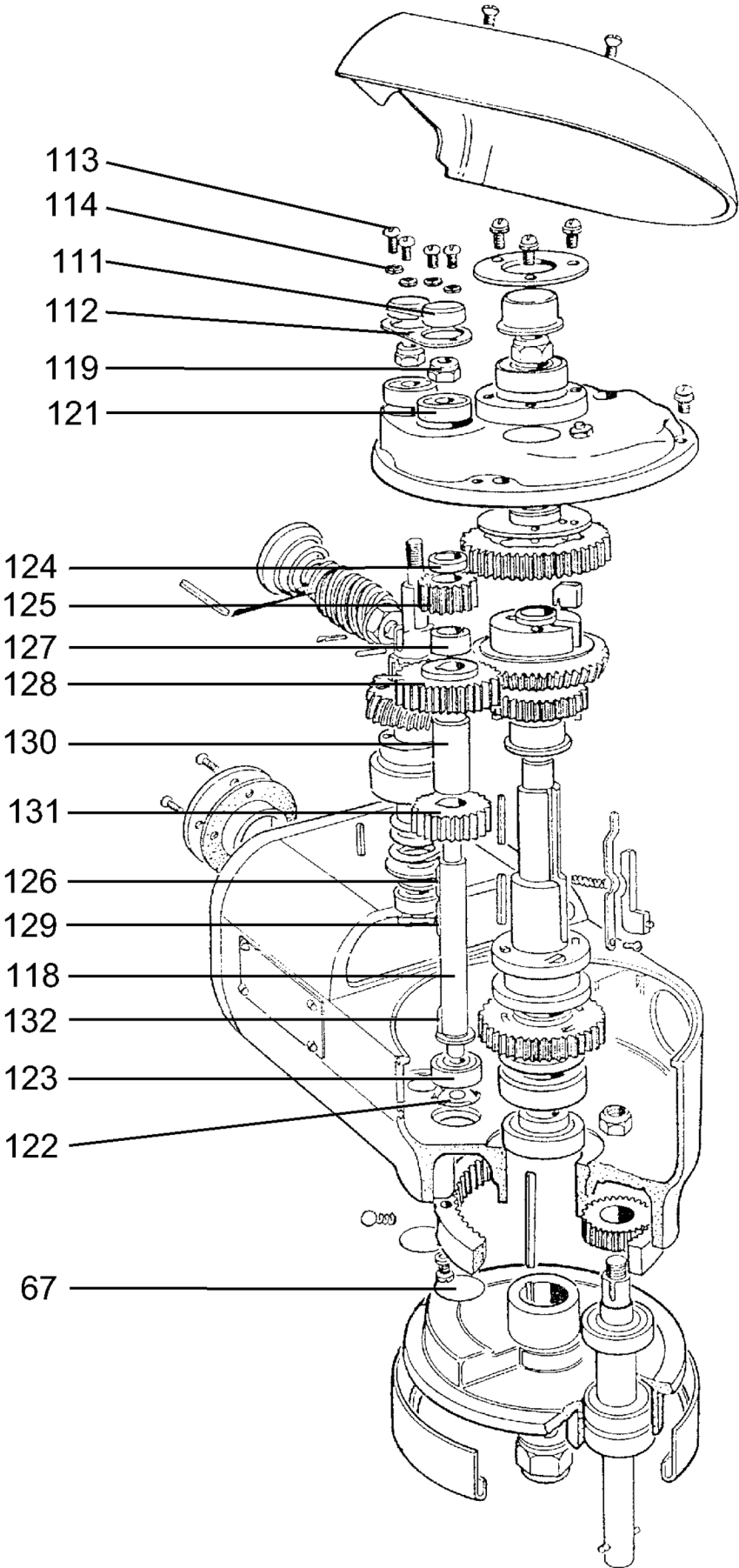
NB. For detailed sectionised drawing - see fig.3

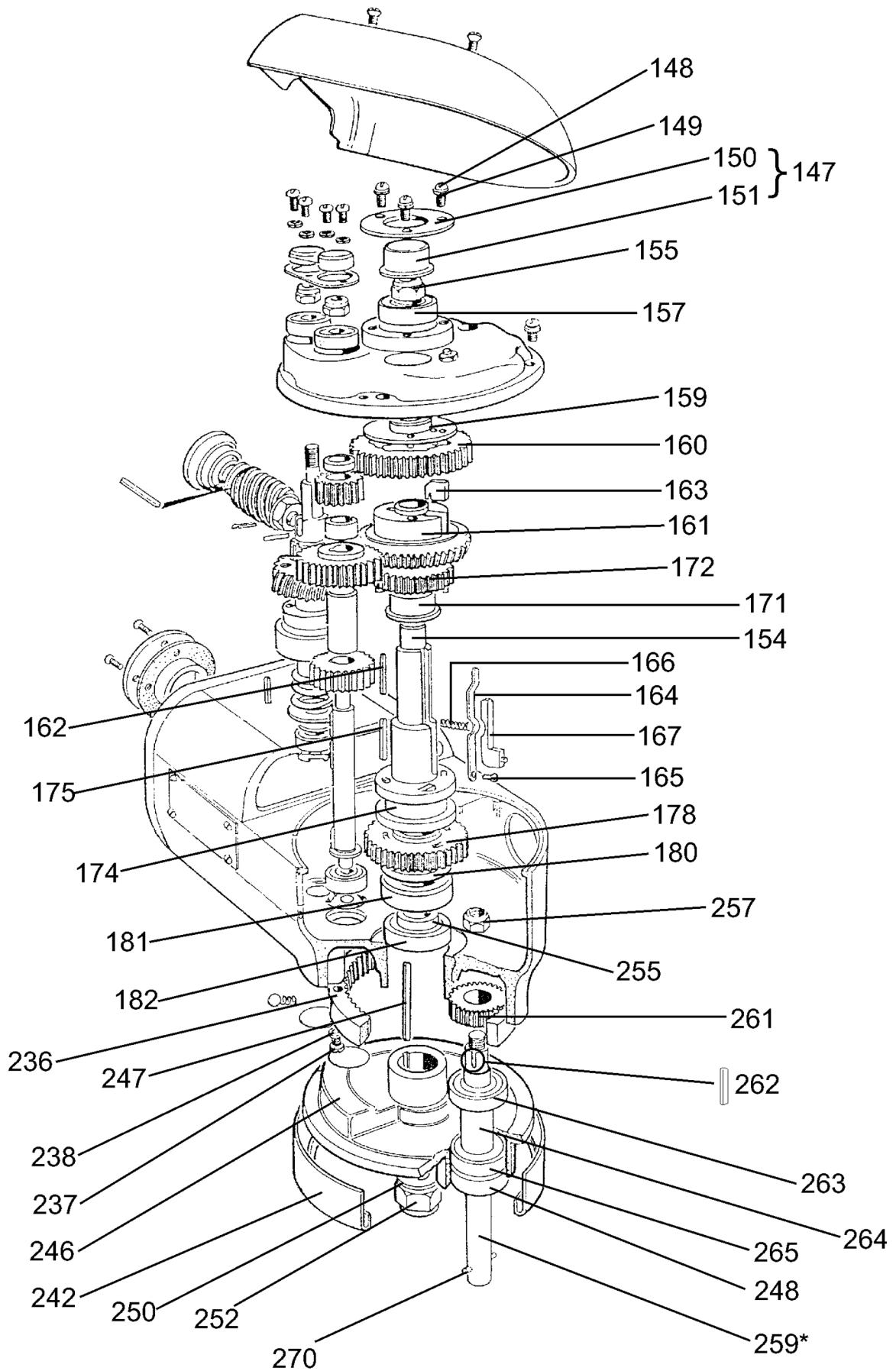


Worm assembly

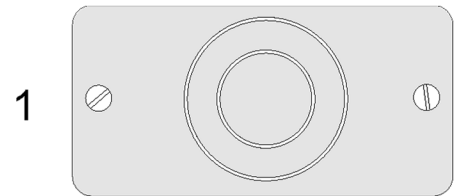
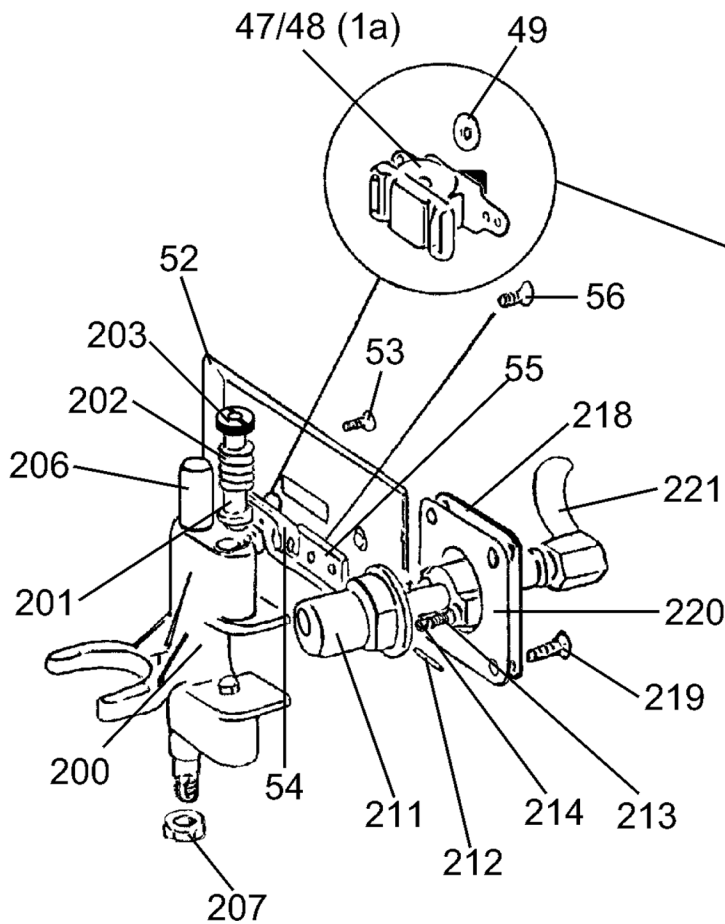


Worm gear shaft

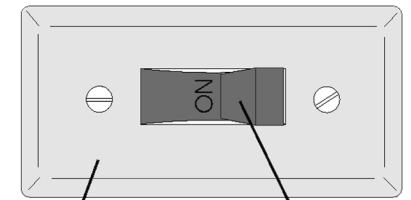




*NB. Beater shaft (113929) requires retaining ring RR-E-2-24



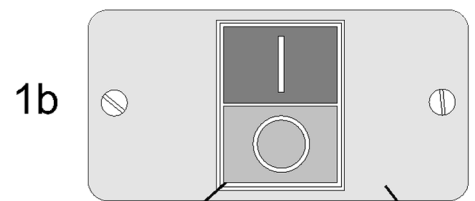
1
'Bullseye' Switch NLA



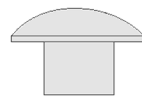
1a
51196
'Toggle' Switch
1Phase SS-E-2-5
3Phase 87711-138-1

To convert from Bullseye or Toggle switches use:
1b or 1c + NVR Relay
1Phase 144319-14
3Phase 144319-8

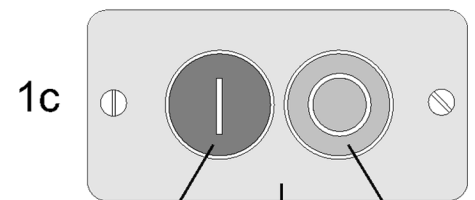
NB.
Part references 211-221 are NOT interchangeable with those in the A200 manual. If any are obsolete or NLA, then you will require a new shifter assembly (141725 + 4x SCM-E-4-6)



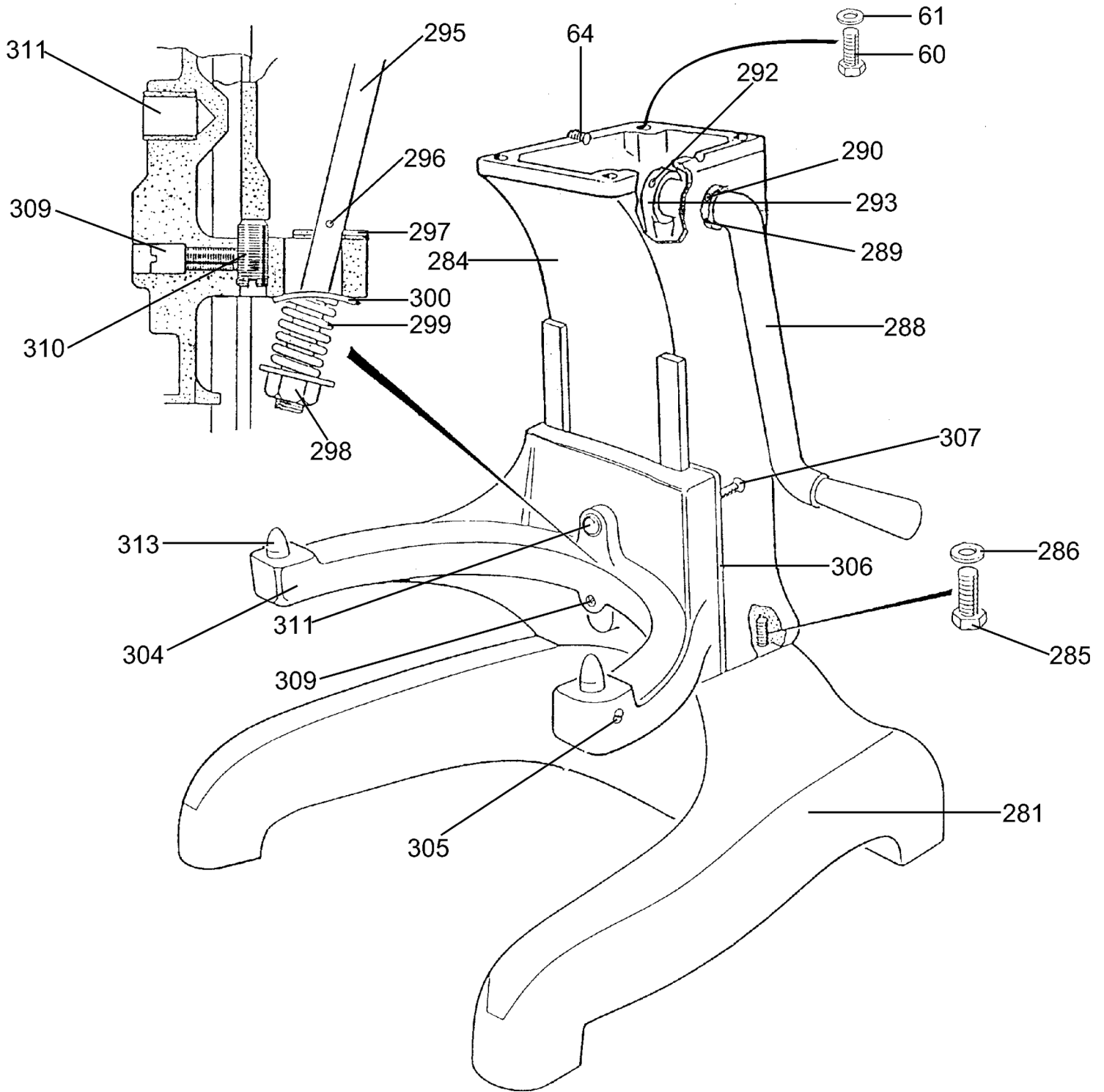
1b
140941 NLA

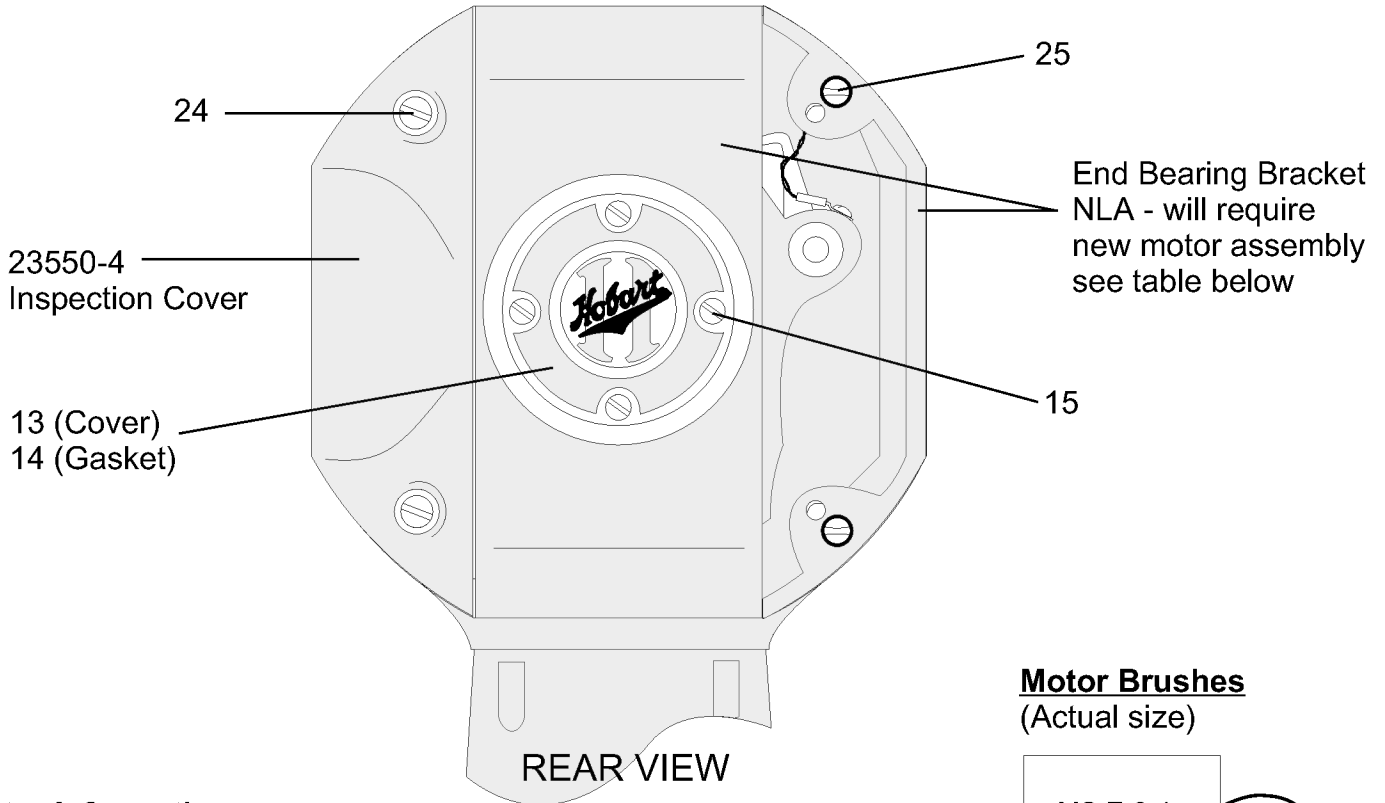


140532
'Mushroom'
Alternative to
140534



1c
140533 140534
136605





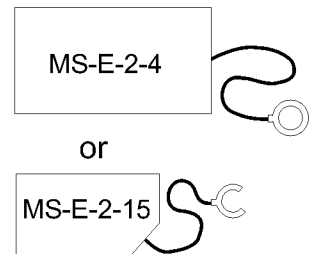
Motor Information

Motors for AE 200/125 no longer available
Use A200/120 as detailed in table below

Centrifugal Switch

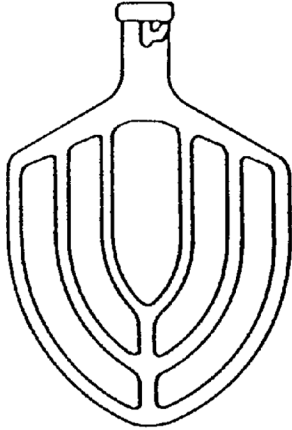
No longer available.
If of the 'brush' type will require new motor assembly
If not 'brush' type, the kit listed below may fit

Motor Brushes
(Actual size)



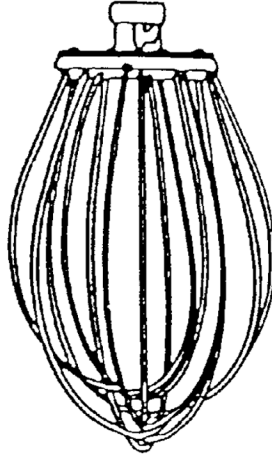
		Location of electrics		Remarks
	Phase	In base	In end cover	
Motor	1-ph	144602-1 *	144602-2 ***	*End bearing bracket included as is Centrifugal switch kit (00-738356-1) **Will require new end cover (136065 + 2x SCM-E-4-3) ***End bearing bracket is included as is centrifugal switch kit (00-738361-1) Will require new end cover (136065 + 2x SCM-E-4-3)
	3-ph	NA	136440-1 **	
Centrifugal switch	1-ph only	00-738356-1 *	00-738361-1 **	*End cover (136065) included as part of Centrifugal Switch Kit ** Does not include end cover - should not require it

'B' Beater



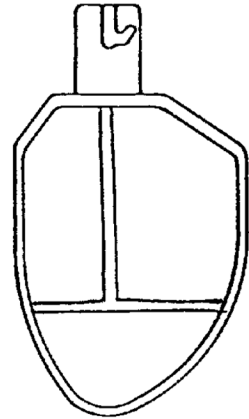
406 - 409

'D' Whip



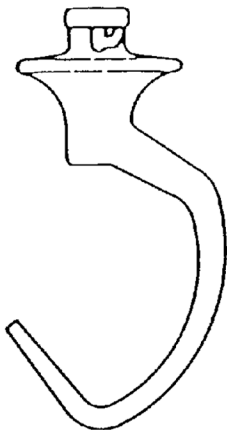
410, 411

'PK' Pastry Knife



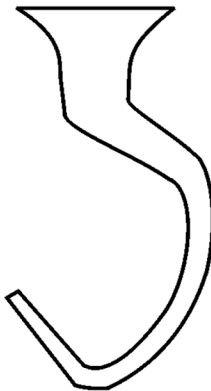
422 - 425

'E' Hook



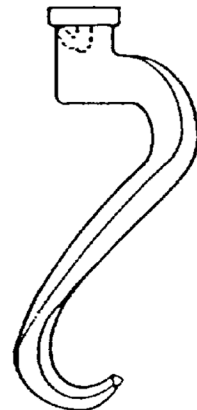
412 - 415

'EB' Hook



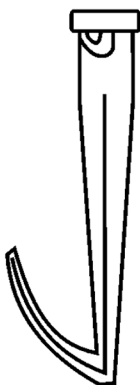
416 - 419

'ED' Hook



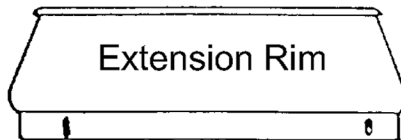
420

'M' Hook



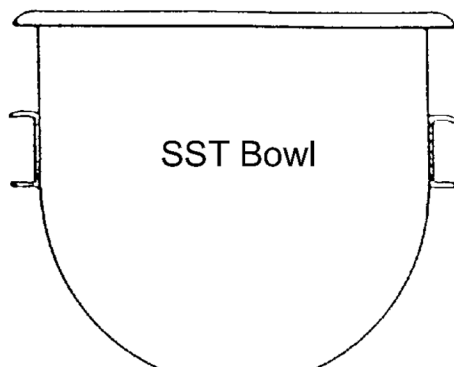
421

Extension Rim



404, 405

SST Bowl



400 - 403

REPLACEMENT PARTS LIST FOR HOBART MIXER A200 SPEC E1501
(PREVIOUSLY AE200 SPEC E238)

UPDATED FROM ISSUE 7/67 AND DIAGRAMS ADDED 7/01

NB: Parts marked OBSOLETE or NLA are no longer available. If there is an alternative then it will be shown in the 'Remarks' column.
 Where a part has been superseded, the current number will be shown in the 'Remarks' column.
 Where a part is shown as 'Under Query' it will have to be investigated to confirm availability.


Page1

<u>KEY NO.</u>	<u>PART NUMBER</u>	<u>DESCRIPTION</u>	<u>QTY PER M/C</u>	<u>REMARKS</u>
1		Motor	1	See separate motor page (Fig.8)
3	12671	Stacking retainer	4	
4	SC-E-15-33	Bolt 3/16" BSW x 3.1/4" bright ch.hd. St. (For AC only)	4	Under Query
		or		
	SC-E-15-31	Bolt 3/16" BSW x 2.3/4" bright ch.hd. St.	4	Under Query
		or		
	SC-E-15-45	Bolt 3/16" BSW x 4.1/4" bright ch.hd. St. (For DC only)	4	NLA
6	BB-E-2-30	Ball bearing (Fischer 6203-FP)	1	
7	13174-1	Grease deflector	1	
8	BB-E-3-5	Ball bearing (Fischer 6103-P)	1	
10	11442	Special washer	1	Under Query
11	52558	Locknut	1	
12	12669-E	Bearing spacer	1	
13	12062-E	Cover cap	1	s/s 294306-1
14	12096-E	Gasket	1	OBSOLETE
15	SC-E-5-25	Screw 2BA x 3/8" oval CSK hd St. (CP&P) (Holds cover cap to trans. case)	4	Under Query
19	CA-E-2-1	Cable 40/.0076" - 3 core rubber covered (Switch to terminal box) (AC only)	2ft.	
	CA-E-2-3	3/.029" twin flat T.R.S. C.M.A. Ref.4129 (DC only)	2ft.	
20	BF-E-2-1	Fibre tube 3/8" ID x 1/2" OD x 3/4" (In trans. Case)	1	NLA
21	BF-E-2-2	Fibre tube 3/8" ID x 1/2" OD x 4" long	1	Under Query
24	SC-E-6-28	Screw 2BA x 1.1/4" oval CSK hd St. (CP&P) (Inspection cover to bearing bkt)	4	
25	SC-E-25-18	Screw 1/4" BSF x 3/4" ch. Hd. St. (Bearing bkt to trans case)	4	
26	52466	Terminal box	1	Under Query
27	SC-E-5-35	Screw 2BA x 1/2" rd. hd. St. (Terminal box to Pedestal)	2	
28	51152	Cover - Terminal box	1	Under Query
29	SC-E-3-3	Screw 3BA x 1/4" rd. hd. (CP&P)(Cover to terminal box)	4	Under Query
30	EP-E-2-10	G.E.C. Terminal block - 3 way 'Wittonite'	1	Under Query
31	SC-E-4-26	Screw 3BA x 1/2" rd. hd. (Terminal block to box)	2	Under Query
33	BF-E-2-1	Fibre tube - 3/8" ID x 1/2" OD x 3/4" lg. (In pedestal)	1	Under Query

<u>KEY NO.</u>	<u>PART NUMBER</u>	<u>DESCRIPTION</u>	<u>QTY PER M/C</u>	<u>REMARKS</u>
36	SC-E-8-32	Screw 1/4" UNC x 3/4" ch. hd. br. (Earth screw)	1	Local Purchase
37	EP-E-3-10	Washer 1/4" ID x 5/8" OD x 20 SWG Cable clamp - 2 prongs	2	
43	50570	Nameplate	1	s/s 135138-1
44	SC-E-3-1	Screw 4BA x 3/16" bdg.hd.Br (CP&P) (For name plate)	4	Under Query
46	EP-E-3-5	Cable ends - W.E. 504 (1-ph. D.C.) or	4	Under Query
	EP-E-3-4	Cable ends - W.E. 501 (3-ph.)	6	Under Query
47	SS-E-2-5	Switch 'ARROW' flush tumbler double pole 30-amp. 250 volts Solid base type. Single phase & DC only	1	
48	SS-E-3-3	Switch 'DIAMOND' "H" 3-TP-F Flush tumbler triple pole (3-ph. Only)	1	s/s 87711-138-1
49	51262	Spacer - switch	2	
50	BF-E-2-8	Fibre tube 3/4" ID. 1/16" Wall 2" long	1	Under Query
51	SC-E-3-30	Screw 4BA x 1/2" CSK hd.St. (Holds switch to case)	2	
52	51196	Switch plate	1	Under Query
53	SC-E-3-22	Screw 4BA x 3/8" oval CSK.hd.St. (CP&P) (Switch to switch plate)	2	OBSOLETE
54	51964	Insulating strip (3-ph only)	1	Under Query
55	52078	Switch adaptor (3-ph. Only)	1	
56	SC-E-3-10	Screw 4BA x 1/4" CSK hd. St. (Switch adaptor plate to switch - 3-ph. Only)	2	
59	12678-E	Transmission case	1	s/s 141814
60	SC-E-18-36	Screw 5/16" BSW x 1" socket hd. Cap. St.(Holds trans. case to pedestal)	4	s/s SC-E-9-28
61	LW-E-3-14	Lockwasher 5/16" single coil St.	4	
64	SC-E-16-7	Screw 1/4" BSW x 3/8" Grub St. (Dowels between trans case and pedestal)	2	NLA
66	WP-E-2-4	Plug 15/16" dia. X .062" thick Welch expansion.	1	
67	WP-E-2-7	Plug 1.5/16" dia. X .062" thick Welch expansion.	1	s/s PL-3-28
68	114695	Oil seal - CL331	1	
76	12711	Washer - shock absorber spring	1	
77	12757-E	Shock absorber spring	1	
78	12754-E	Washer	1	OBSOLETE
79	12747-E	Key	1	
80	12743	Worm 5T	1	
81	CP-E-2-4	Split pin 1/16" x 1"	1	
82	51417	Special nut	1	Under Query
88	12725-E	Shaft - worm gear	1	
89	NU-E-5-16	Lock nut 3/8" BSF Simmonds thin type	1	
91	BB-E-2-29	Ball bearing (Fischer 6200)	1	
92	BB-E-2-29	Ball bearing (Fischer 6200)	1	
93	51493	Spring - pre loading	1	
94	PP-E-2-39	Pin 1/4" x 1" long	1	Under Query
95	12719-E	Gear 15T	1	

<u>KEY NO.</u>	<u>PART NUMBER</u>	<u>DESCRIPTION</u>	<u>QTY PER M/C</u>	<u>REMARKS</u>
97	12740-E-1	Worm wheel and hub assy 29T (incl 99,100 and 102)	1	
99	55614-1	Worm wheel (Fibre gear)	1	
100	12720-E	Upper member for release	1	
101	12721-E	Lower member for release	1	
102	SC-E-15-27	Screw 3/16" BSW x 7/8" CSK hd. St. (Fibre gear to upper member)	4	
103	12724-E	Spring - friction drive	1	
104	WA-E-2-39	Washer 5/8" x 1.3/8" OD x 3/32" thick St. (Bright chamfer edge)	1	
105	PK-E-2-2	Key 1/8" x 1/8" x 3/4" square ends	1	
111	51399	Cap - grease retaining	2	
112	12708	Twin bearing retainer	1	
113	SC-E-15-1	Screw 3/16" BSW x 3/8" rd. hd. St. (For bearing retainer)	4	Under Query
114	LW-E-3-35	Lockwasher 3/16" single coil St.	4	s/s LW-E-3-3
118	12717	Transmission shaft	1	
119	NU-E-5-16	Locknut 3/8" BSF Simmonds - thin type	1	
120	56092	Washer for transmission shaft	1	
121	BB-E-2-29	Ball bearing Fischer (6200)	1	
122	51493	Spring 7-S-10 pre-loading	1	
123	BB-E-2-29	Ball bearing Fischer (6200)	1	
124	51182	Upper spacer	1	Under Query
125	103960	Gear 15T	1	
126	109070-18	Key 1/8" x 1/8" x 9/16" square ends	1	
127	12698	Central spacer	1	
128	12700	Gear 32T	1	
129	109070-18	Key 1/8" x 1/8" x 9/16" square ends	1	
130	12697	Lower spacer	1	
131	12699	Gear 23T	1	
132	109070-18	Key 1/8" x 1/8" x 9/16" square ends	1	
138	12687-E	Transmission shaft support	1	
139	SC-E-25-19	Screw 1/4" BSF x 3/4" rd. hd. St. (Support to case)	4	
141	LW-E-2-9	Lockwasher 1/4" dia Shakeproof (Int) St.	4	
142	SC-E-25-41	Screw 1/4" BSF x 1.1/2" rd. hd. St.	1	
143	NU-E-2-23	Nut 1/4" BSF hex.	1	
145	51418	Sealing lid	2	s/s 64871
147	51396	Bearing retainer (Assembly) Single piece comprising of 150 and 151		
148	SC-E-25-9	Screw 1/4" BSF x 1/2" rd. hd. St.	3	
149	LW-E-2-9	Lockwasher 1/4" dia Shakeproof (Int) St.	3	
150	51294	Bearing retainer ring	1	Under Query
151	51295	Cap - bearing retainer	1	
154	12750-E	Centre shaft	1	
155	NU-E-5-25	Locknut 1/2" BSF Simmonds - thin type	1	
157	BB-E-2-38	Ball bearing Fischer 6203	1	
159	12701-E	Upper spacer - centre shaft	1	
160	15225-E	Slow speed gear 46T	1	NLA out of spares
161	12702-E	Bevel gear 46T	1	
162	PK-E-2-20	Key 3/16" x 3/16" x 1.1/8" rd. ends	1	
163	15528-E	Diving key	1	
164	12749-E	Control arm - diving key	1	

<u>KEY NO.</u>	<u>PART NUMBER</u>	<u>DESCRIPTION</u>	<u>QTY PER M/C</u>	<u>REMARKS</u>
165	SC-E-2-1	Screw 6BA x 1/4" rd. hd. St. (For clamping control arm)	1	
166	12759	Spring	1	
167	13024-E	Control block - for diving key	1	
168	PP-E-2-21	Pin .1875" x 3/8" long	1	
171	12695	Bushing for clutch gear	1	
172	12694	Clutch gear 29T	1	
174	12703-E	Clutch sleeve	1	
175	PK-E-2-24	Key 3/16" x 3/16" x 1.1/4" rd. ends	1	s/s PK-E-2-20
177	12695	Bushing for clutch gear	1	
178	12696	Clutch gear 38T	1	
180	12723	Lower spacer - centre shaft	1	
181	BB-E-2-45	Ball bearing Fischer (6204-P)	1	
182	114695	Oil seal	1	
<u>FOR MACHINES WITHOUT ATTACHMENT HUB</u>				
<u>OMIT</u> Key Nos. 186-191 incl. and 195-198 incl.				
<u>ADD</u> Key Nos. 184 and 185				
184	52007	Cover plate - attachment hub	1	
185	51401	Gasket - for attachment hub	1	
186	12690-E	Bevel gear attachment drive - 35T	1	s/s 137286
187	WP-E-2-3	Plug 1" dia. X .062" thick Welch expansion	1	s/s PL-3-17
189	12746-1	Thrust washer .104"	As required	NLA
		or		
	12746-2	Thrust washer .092"	As required	NLA
		or		
	12746-3	Thrust washer .080"	As required	NLA
		or		
	12746-4	Thrust washer .064"	As required	
		or		
	12746-5	Thrust washer .056"	As required	NLA
		or		
	12746-6	Thrust washer .048"	As required	
191	52702	Attachment hub	1	s/s 12686-1
192	SC-E-25-21	Screw 1/4" BSF x 3/4" CSK hd. St. (Attachment hub to case)	4	s/s SCM-E-5-38
195	OG-E-2-15	Oiler - Adams No.A5	1	Under Query
196	108197-1	Thumbscrew Cone point	1	
197	51445	Attachment hub cover	1	s/s 114832-1
198	51401	Gasket - for attachment hub	As required	
200	13160	Shifter yoke	1	
201	12733-E	Plunger - shifter yoke	2	s/s 12733
202	12734	Spring - shifter yoke	2	
203	12732	Spring retainer - shifter yoke	2	
206	12735	Guide rod - shifter	1	
207	NU-E-5-17	Nut 3/8" BSW Simmonds thin type (for guide rod)	1	Under Query
210	55551	Gear shifter assembly (Key nos 211 to 218 incl. And 221)	1	s/s 141725

<u>KEY NO.</u>	<u>PART NUMBER</u>	<u>DESCRIPTION</u>	<u>QTY PER M/C</u>	<u>REMARKS</u>
211	12729-E	Gear shifter cam	1	s/s 138543
212	TP-E-2-2	Taper pin No1 3/4" long	1	Local purchase
213	10755-1-E	Detent spring	2	s/s 111170 10755-E-1
214	SB-E-2-5	Ball 1/4" dia. St.	2	
217	12730-E	Shifter shaft (Supplied with Key 221)	1	s/s 141725
218	290115	Shifter index plate	1	s/s 141041
219	SC-E-15-7	Screw 3/16" BSW x 1/2" oval CSK hd. Br. (CP&P - index plate to case)	4	Under Query
220	51400	Gasket - for index plate	1	s/s 23946
221	12728-E	Shifter handle (supplied with Key 217)	1	s/s 141725
222	53386	Cord ring	1	
227	12691-E	Transmission case cover	1	s/s 12691-10
228	SC-E-25-33	Screw 1/4" BSF x 1.1/4" oval CSK hd. St.(Cover to Trans. Shaft support) (CP)	1	Under Query
229	SC-E-25-40	Screw 1/4" BSF x 1.1/2" oval CSK hd. St.(Cover to Trans. Shaft support) (CP)	1	Under Query
236	50397	Internal gear	1	s/s 141  -2
237	SC-E-25-29	Screw 1/4" BSF x 1" ch. Hd. St. (Internal gear to case)	6	Under Query
238	LW-E-3-10	Lockwasher 1/4" S/c St.	6	
239	7094	Spring	2	
240	SB-E-2-5	Ball 1/4" dia. St.	2	
242	50398	Drip cup	1	s/s 15214-2
246	51640	Planetary	1	s/s 23166
247	PK-E-2-6	Key 1/8" x 1/8" x 2.3/8" square ends	1	s/s 12430-18
248	OS-E-2-6	Oil seal CL.330	1	
250	WA-E-2-17	Washer 33/64" ID x 1" OD x 1/16" thick plain St.	1	
252	NU-E-5-25	Nut 1/2" BSF Simmonds - thin type	1	
255	14674	Bearing spacer	1	
257	NU-E-5-21	Nut 7/16" BSF Simmonds - thin type	1	Under Query
258	58283	Beater shaft assy (incl Key 259 and 270)	1	
259	50395	Beater shaft	1	s/s 113929 Reqs RR-E-2-24 x1
261	50399	Beater pinion	1	s/s 15217
262	PK-E-2-15	Key 3/16" x 3/16" x 15/16" rd. one end	1	s/s 12430-55
263	BB-E-2-39	Ball bearing (Fischer 6203-P)	1	
264	50396	Inner spacer	1	
265	BB-E-2-45	Ball bearing (Fischer 6204-P)	1	
270	PP-E-3-1	Beater drive pin .3125" x 1.3/8" lg	1	Alt 65062-1 for use with beater shaft 113929
281	52409	Base	1	s/s 52049-M
284	50383	Pedestal	1	s/s 135617-M
285	SC-E-10-33	Screw 3/8" UNC x 1.1/4" hex. Hd. St 5/16"hd. (Pedestal to base)	4	
286	LW-E-2-15	Lockwasher 3/8" shakeproof St. (External)	4	Under Query
287	55552	Lift handle assy. (Key nos. 288-290 incl)	1	s/s 114431-2
288	12713-E	Lift handle	1	Under Query
289	12716-E	Stop collar - lift handle	1	Under Query
290	PP-E-2-10	Pin .125" dia. x 13/16"	1	Under Query

<u>KEY NO.</u>	<u>PART NUMBER</u>	<u>DESCRIPTION</u>	<u>QTY PER M/C</u>	<u>REMARKS</u>
292	TP-E-2-15	Taper pin 7/32" dia. x 1.1/4"	1	
293	12685-E	Bowl lift arm	1	
295	50394	Bowl lift rod	1	s/s 15215
296	CP-E-2-16	Cotter pin 1/8" dia x 3/4" long	2	
297	WA-E-2-26	Washer 3/8" x 1" OD x 17 SWG. St.	2	
298	NU-E-5-16	Nut 3/8" BSF Simmonds thin type	1	
299	12782-E	Spring	1	s/s 12782
300	12745	Special washer	1	
303	56549	Bowl support assy (incl Key nos 304, 305, 311 and 313)	1	s/s 138530
304	50388	Bowl support	1	s/s 138530
305	SC-E-8-21	Grubscrew 1/4" UNC x 1/2" slotted hd. St.	2	
306	50392	Gib - bowl support	2	s/s 111213-1
307	SC-E-5-45	Screw 2BA x 5/8" CSK hd. St. (Gib to bowl support)	10	OBSOLETE
309	SC-E-9-29	Screw 5/16" UNC x 1.1/8" cup point Br. (Slotted grub)	1	Under Query
310	SC-E-11-7	Screw 7/16" UNC x 7/8" oval point Br. (Slotted grub)	1	Under Query
311	13297-E	Bushing - bowl retaining pin	1	s/s 84854-1
313	6938-E	Bowl locating pin	2	s/s 6938-2
385	EP-E-2-23	Type TCC Radio suppressor - Cat No S/6839	1	
386	CL-E-2-16	Terry clip No 81/2	1	
387	SC-E-2-9	Screw 6BA x 1/2" ch. Hd. Br.	1	
388	WA-E-4-15	Washer 6BA Br.	1	
389	NU-E-4-1	Locknut 6BA Br.	1	NLA
390	SC-E-3-11	Screw 4BA x 1/4" ch. Hd.	1	s/s SC-E-3-24
391	WA-E-4-11	Washer 4BA Br.	2	s/s WAM-E-8-7

ACCESSORIES

400	50400	10-qt bowl - Tinned		NLA
401	135377	10-qt bowl - Stainless steel		
402	51557	20-qt bowl - Tinned		NLA
403	62104	20-qt bowl - Stainless steel		
404	Not listed	Extension rim - 10-qt bowl		use 141967
405	50181	Extension rim - 20-qt bowl		
406	50405	Beater - Aluminium - 10-qt		s/s 136915
407	8969	Beater - Aluminium - 20-qt		use 23126
408	55651	Beater - Stainless steel - 10-qt		s/s 136915-1
409	54646	Beater - Stainless steel - 20-qt		s/s 275559
410	55652	Wire Whip - 10-qt		s/s 140249
411	55655	Wire Whip - 20-qt		s/s 23511-M
412	136912	Dough Hook 'E' - Aluminium - 10-qt		
413	55653	Dough Hook 'E' - Stainless steel - 10-qt		Under Query
414	23467	Dough Hook 'E' - Aluminium - 20-qt		
415	53692	Dough Hook 'E' - Stainless steel - 20-qt		
416	51792	Dough Hook 'EB' - Aluminium -10-qt		
417	55653	Dough Hook 'EB' - Stainless steel -10-qt		s/s 136912
418	50867	Dough Hook 'EB' - Aluminium -20-qt		Under query

<u>KEY NO.</u>	<u>PART NUMBER</u>	<u>DESCRIPTION</u>	<u>QTY PER M/C</u>	<u>REMARKS</u>
419	53692	Dough Hook 'EB' - Stainless steel -20-qt		s/s 23467
420	40293	Dough Hook 'ED' - Aluminium - 20-qt		
421	8017	Dough Hook 'M'		Not available
422	51720	Pastry Knife - Aluminium - 10-qt		use 136914-1
423	55654	Pastry Knife - Stainless steel - 10-qt		s/s 136914-2
424	52113	Pastry Knife - Aluminium - 20-qt		use 74286
425	55657	Pastry Knife - Stainless steel - 20-qt		s/s 137555
Not shown	140621	No 12 Mincer attachment with feed pan		For individual parts see spare parts listing for No12 mincing attachment
Not shown	136959	No 12 Mincer attachment less feed pan		As above
Not shown	FVS9A12	VS9A Veg prep No12 hub		For individual parts see spare parts listing for VS9A Veg Prep attachment



As continued product improvement is a policy of HOBART, specifications are subject to change with-out notice.

17.02.2004-Issue-1