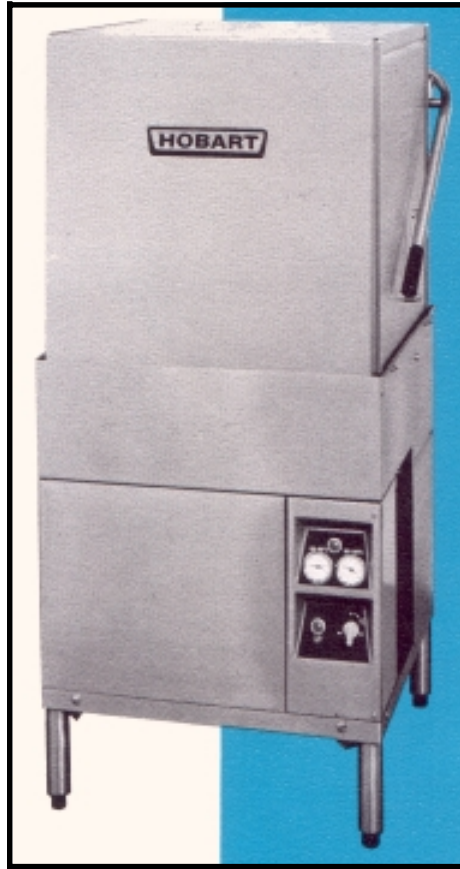


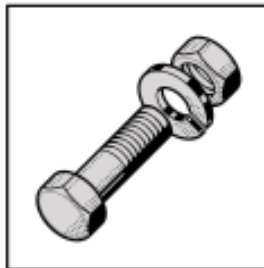


Warewash



AM-12E
AM-12EC
AM-12EF
AM-12ER

Spare Parts
Pièces Détachées
Ersatzteile
Onderdelen



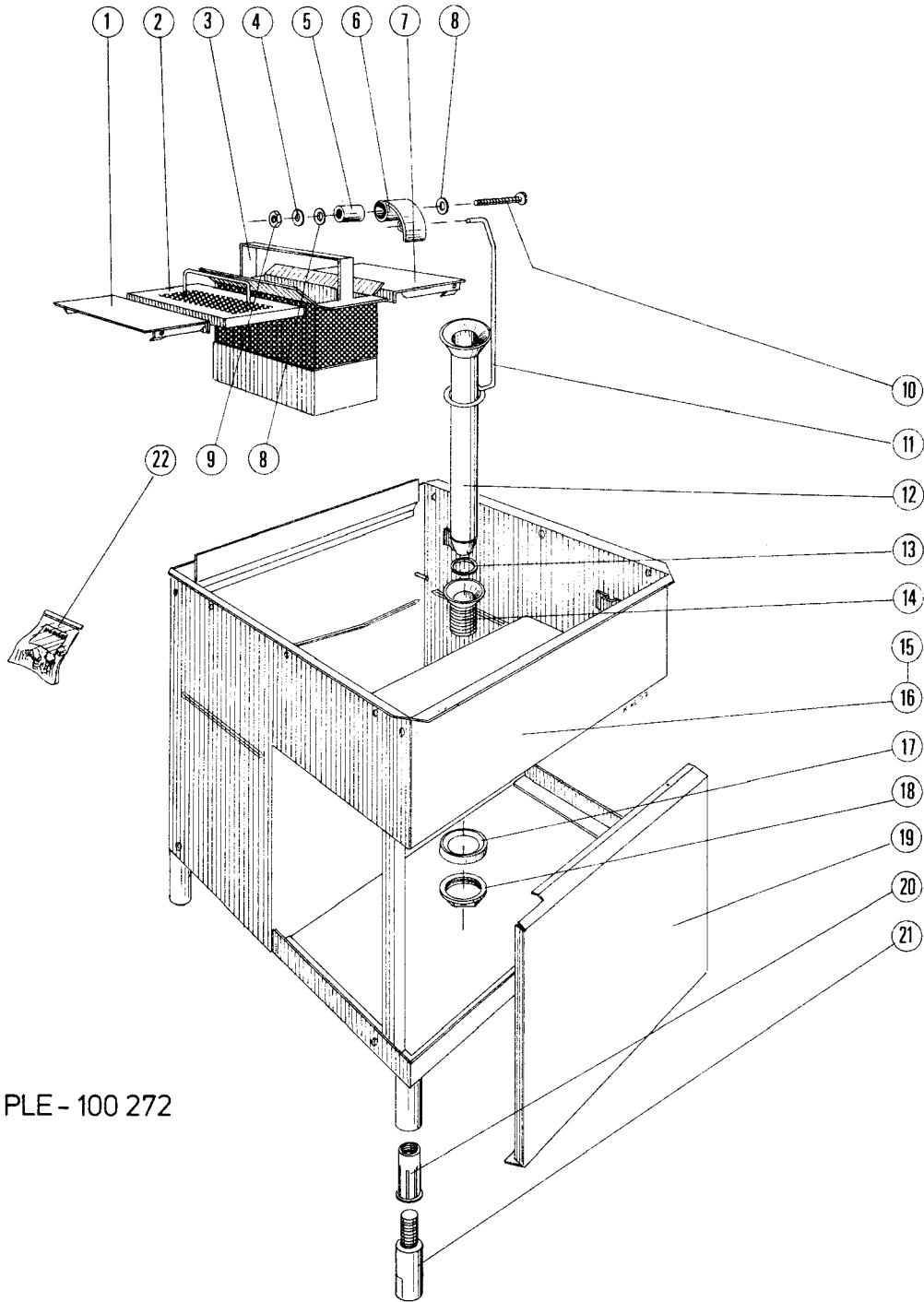
This document is the property of Hobart Manufacturing. Reproduction of this document is prohibited without the written consent of Hobart Manufacturing.

INDEX

	Page
Frame, Drain & Strainers.....	3
Hood, Doors & Tracks - AM12E.....	5
Hood, Doors & Tracks - AM12EC.....	7
Hood, Doors & Tracks - AM12EF.....	9
Reed Switch - Door 1. - AM12EF.....	12
Reed Switch - Door 2. - AM12EF.....	14
Door Lift Unit - AM12E.....	16
Reed Switch - Door Lift Unit - AM12E.....	18
Door Lift Unit - AM12EC.....	20
Reed Switch - Door Lift Unit - AM12EC.....	22
Pump & Motor Unit.....	24
Lower Wash Arm Unit.....	27
Upper Wash System & Rinse.....	30
Feed Pipework.....	32
Solenoid Valve - Herion 1/2".....	34
Solenoid Valve - Danfoss 1/2".....	36
Solenoid Valve Kit - Asco 3/4".....	38
Solenoid Valve Steam 1. 3/4".....	40
Solenoid Valve Steam 2. 3/4".....	42
Electric Booster.....	44
Booster Steam 1,5 - 50 PSI.....	47
Booster Steam 5,1 - 145 PSI.....	50
Booster Hotwater 110°C - 160°C 15 - 232 PSI.....	53
Fresh Water Inlet - Tank Heating.....	56
Electric Tank Heating & Reed Switch.....	58
Steam & Hotwater Tank Heating.....	61
Rinse Pump U.K.....	64
Rinse Pump (not used in the UK).....	67
Control Box with Door.....	70
Control Box.....	73
ELECTRICAL PARTS	
Booster 9kW 380-415/50/3, Booster Steam & Hotwater Tank Heating 220-415/50/3.....	76
Booster 12 - 18 kW 380-415/50/3N.....	79
Booster 9kW 220-240V/50/3 / 18kW 380-415/50/3.....	81
Booster 12 - 18kW Tank Heating 220-240V/50/3.....	84
Booster Steam & Hotwater Tank Heating 220-240V/50/1.....	87
Rinse Agent Dispenser.....	90
Heat Recovery Unit (Additional Fittings).....	92

Frame, Drain & Strainers

**AM-12E
AM-12EC
AM-12EF**




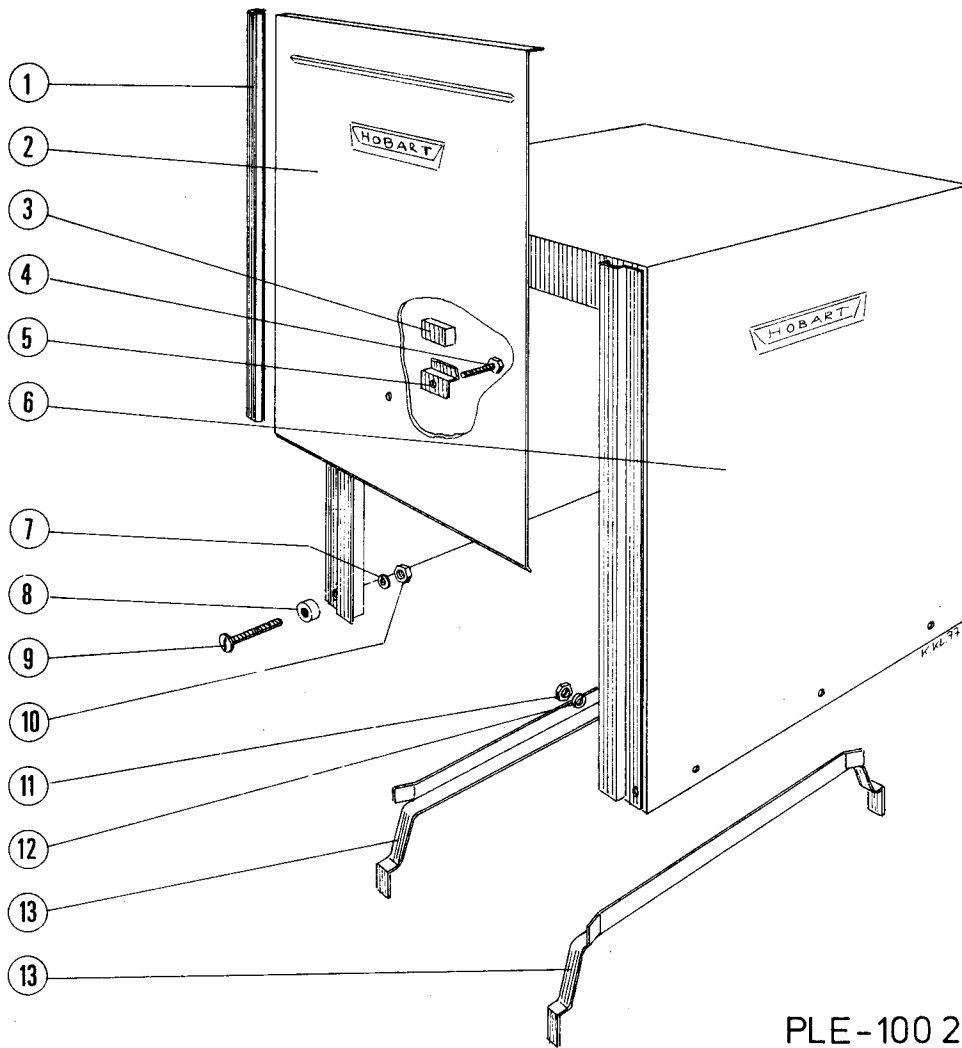
PLE - 100 272



Frame, Drain & Strainer

AM-12E
AM-12EC
AM-12EF

Key No	Part No	Description	Qty
1	226939-2	Overflow Cover	1
2	118965	Strainer Screen	1
3	226979	Strainer Basket Assy	1
4	LWM-E-3-1	Lockwasher M6	1
5	226571	Bush	1
6	119121	Drain Lever Assy	1
7	226939-1	Overflow Cover	1
8	WAM-E-8-28	Washer M6	4
9	NUM-E-3-2	Nut M6	1
10	SCM-E-13-47	Screw M6 x 40	1
11	296085	Rod-Overflow Lift	1
12	229426-3	 Tube - Overflow	1
13	67500-15	O-Ring	1
14	226558	Drain Valve	1
15	170765-1	Tank Assy AM12E&EC (Booster without Rinse Pump)	1
	170765-2	Tank Assy AM12E&EC (Booster with Rinse Pump)	1
	170768-1	Tank Assy AM12E&EC (Heating without Rinse Pump)	1
	170768-2	Tank Assy AM12E&EC (Heating with Rinse Pump)	1
16	170766-1	Tank Assy AM12EF (Booster without Rinse Pump)	1
	170766-2	Tank Assy AM12EF (Booster with Rinse Pump)	1
	170766-3	Tank Assy AM12EF (Heating without Rise Pump)	1
	170766-4	Tank Assy AM12EF (Heating with Rinse Pump)	1
17	226556	Gasket	1
18	226557	Back Nut	1
19	226654	Front Panel (EXCEPT for AM12EC)	1
20	166067-1	Thread Insert	4
21	166066-1	Adjustable Foot	4
22	227443	Screw (EXCEPT for AM12EF)	1



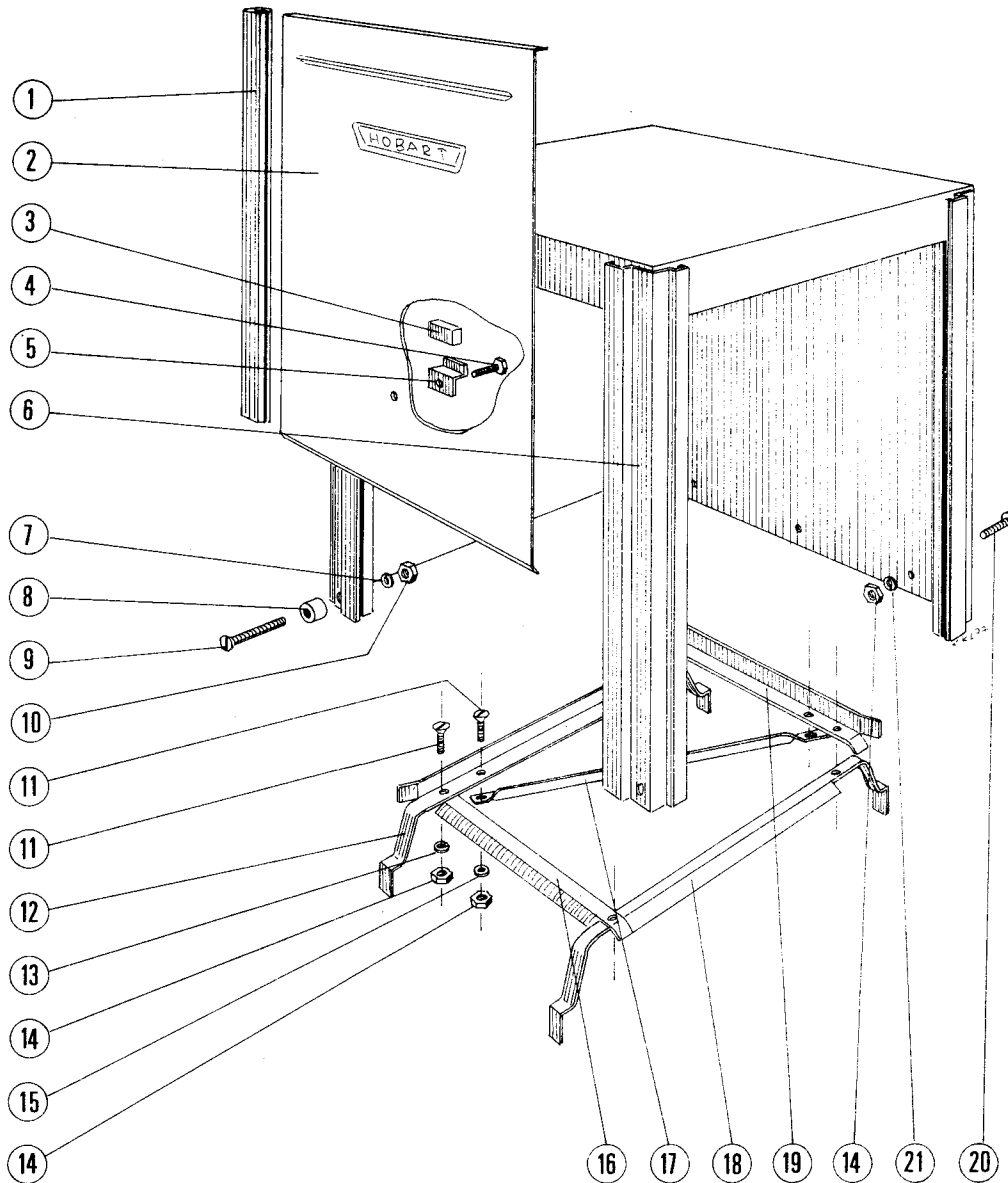
PLE-100 273



Hood , Doors & Tracks

AM-12E

Key No	Part No	Description	Qty
1	112378-23	Door Slide	4
2	173722	Door	2
3	226991	Bumper - Door Stop	2
4	SCM-E-14-40	Screw M8 x 35	2
5	226990	Door Stop	2
6	226672-1	Wash Chamber Assy	1
7	LWM-E-3-27	Lockwasher M8	4
8	226909	Spacer	4
9	SCM-E-14-35	Screw M8 x 30	4
10	NUM-E-3-27	Nut M8	4
11	NUM-E-3-2	Nut M6	3
12	LWM-E-3-1	Lockwasher	3
13	119084	Track - Rack	2



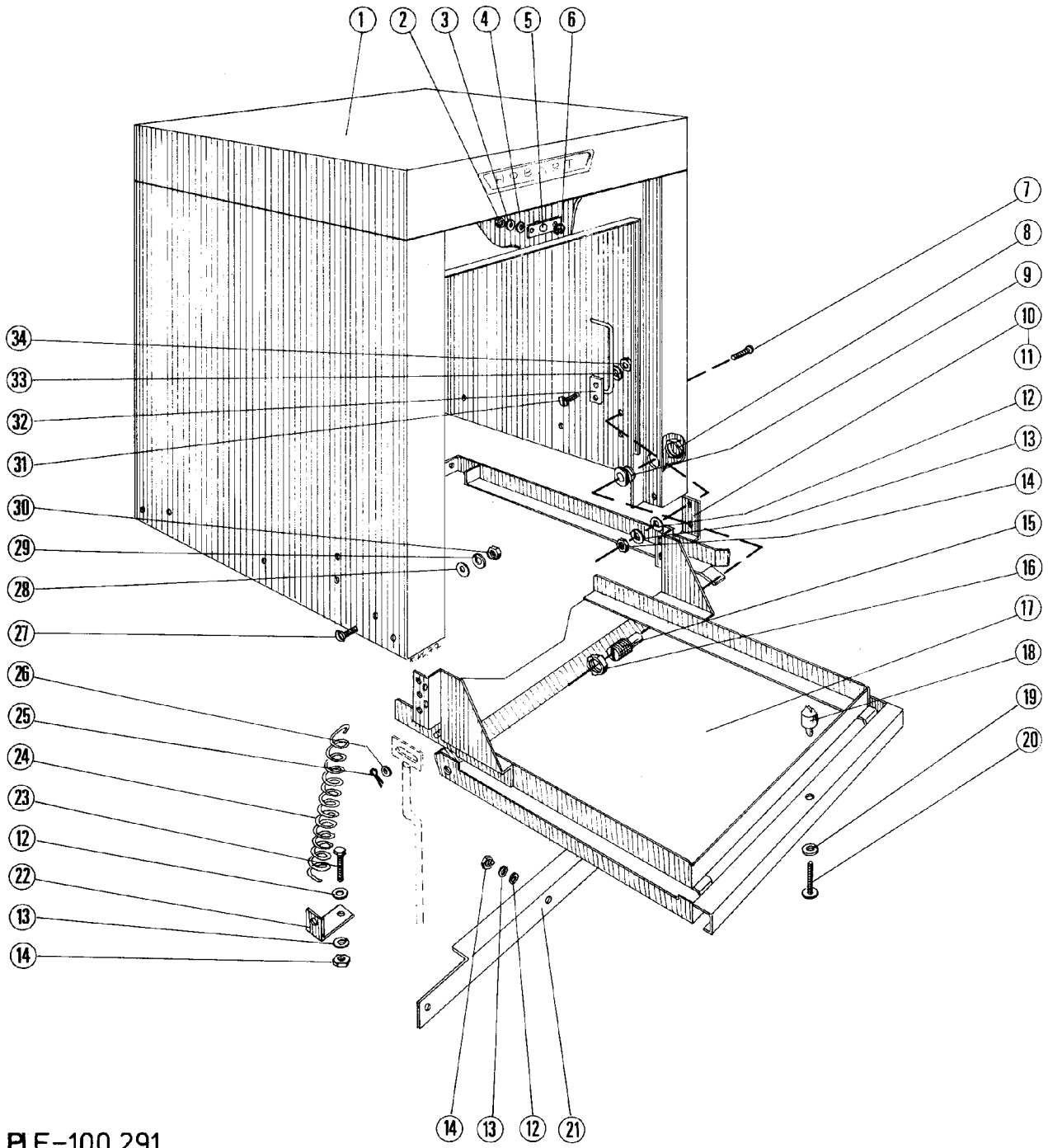
PLE - 100 274



Hood , Doors & Tracks

AM-12EC

Key No	Part No	Description	Qty
1	112378-23	Door Slide	4
2	173722	Door	2
3	226991	Bumper - Door Stop	2
4	SCM-E-14-40	Screw M8 x 35	2
5	226990	Door Stop	2
6	226678-1	Wash Chamber Assy	1
7	LWM-E-3-27	Lockwasher M8	4
8	226909	Spacer	4
9	SCM-E-14-35	Screw M8 x 30	4
10	NUM-E-3-27	Nut M8	4
11	SCM-E-13-27	Screw M6 x 16	6
12	119080-M	Track- Rear Rack	1
13	LWM-E-3-1	Lockwasher M6	4
14	NUM-E-3-2	Nut M6	12
15	WAM-E-8-28	Washer M6	2
16	74528-M	Track	1
17	119129	Support - Track	1
18	119093	Track - Front Rack	1
19	74527-M	Track	1
20	SCM-E-??-??	Screw M6 x 16	6
21	LWM-E-3-1	Lockwasher M6	6



PLE-100 291



Hood , Doors & Tracks

AM-12EF

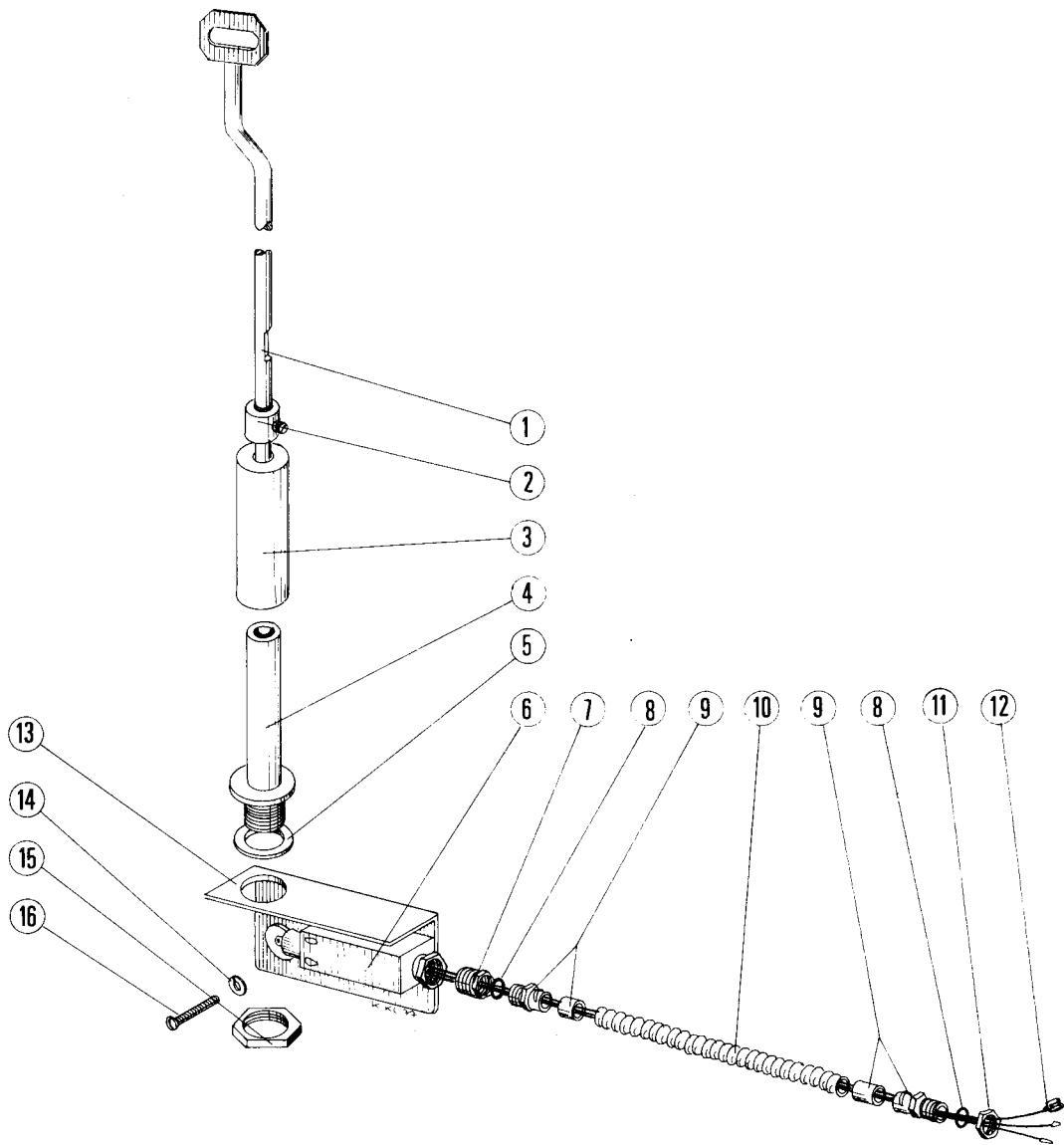
Key No	Part No	Description	Qty
1	226934-1	Wash Chamber	1
2	NUM-E-2-6	Nut M4	2
3	LWM-E-2-2	Lockwasher M4	2
4	WAM-E-8-15	Washer M4	2
5	227028	Cover	1
6	226803	Spring	1
7	SCM-E-13-28	Screw M6 x 16	8
8	PF-E-8-26	Pipe Nut 1/4" bsp	2
9	227010	Bearing Bushing	2
10	227002	Rack Track Assy R.H.	1
11	227003	Rack Track Assy L.H.	1
12	WAM-E-8-28	Washer M6	13
13	LWM-E-3-1	Lockwasher M6	13
14	NUM-E-3-2	Nut M6	13
15	227015	Slotted Dog, Set Screw	2
16	NUM-E-4-4	Nut M10	2
17	227026	Door Assy	1
18	227239	Retainer Door	1
19	LWM-E-2-2	Lockwasher M4	1
20	SCM-E-??-??	Screw M4 X6 (DIN 84-A2)	1
21	227038	Deflector Angle	1
22	168906	Angle	2
23	SCM-E-13-24	Screw M6 x 16	2
24	168787	Spring	2



Hood , Doors & Tracks

AM-12EF

Key No	Part No	Description	Qty
25	CP-E-1-18	Pin 2x 20	1
26	WAM-E-8-28	Washer M6	1
27	SCM-E-14-10	Screw M8 x 16	10
28	WAM-E-8-34	Washer M8	10
29	LWM-E-3-27	Lockwasher M8	10
30	NUM-E-3-27	Nut M8	10
31	SCM-E-12-9	Screw M5 x 16	2
32	227036	Lever Assy	1
33	LWM-E-2-28	Lockwasher M5	2
34	NUM-E-2-30	Nut M5	2



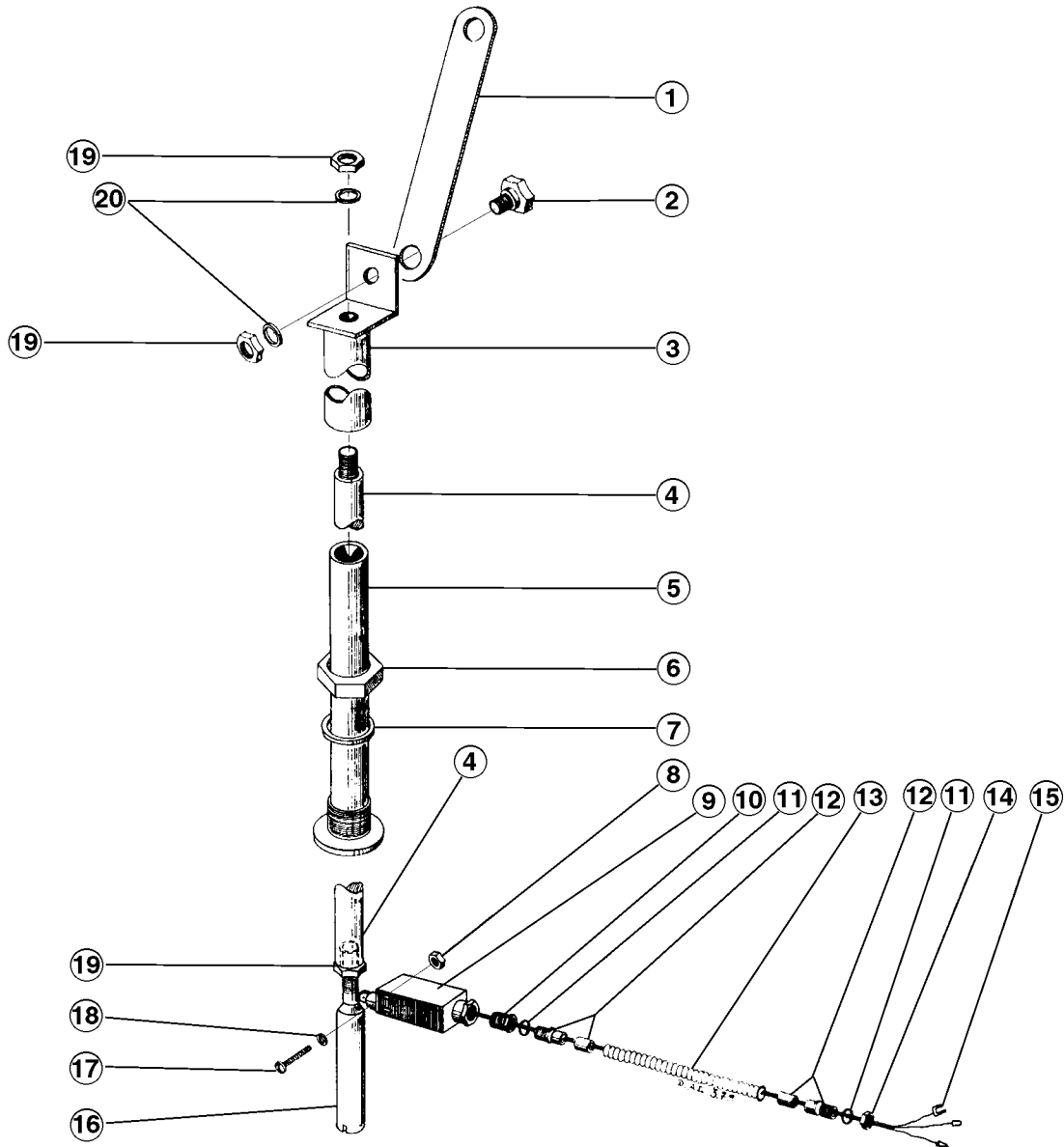
PLE - 100 292



Reed Switch - Door

AM-12EF

Key No	Part No	Description	Qty
1	227033	Rod Assy	1
2	36917	Screw Collar	1
3	227016	Jacket	1
4	227011	Bearing	1
5	168611-10	Gasket	1
6	228795	Reed / End Switch (Alt No 140686)	1
7	169048-2	Reduction Bushing	1
8	226932-3	O-Ring	2
9	226508-3	Bushing	2
10	226507-9	Flexible Conduit	1
11	169045-10	Back Nut	1
12	227076	Cable Assy	1
13	227008	Bracket	1
14	LWM-E-2-2	Lockwasher M4	2
15	NUM-E-??-??	Pipe Nut 1/4" BSP	1
16	SCM-E-??-??	Screw M4 x 40 (DIN 86 - A2)	2



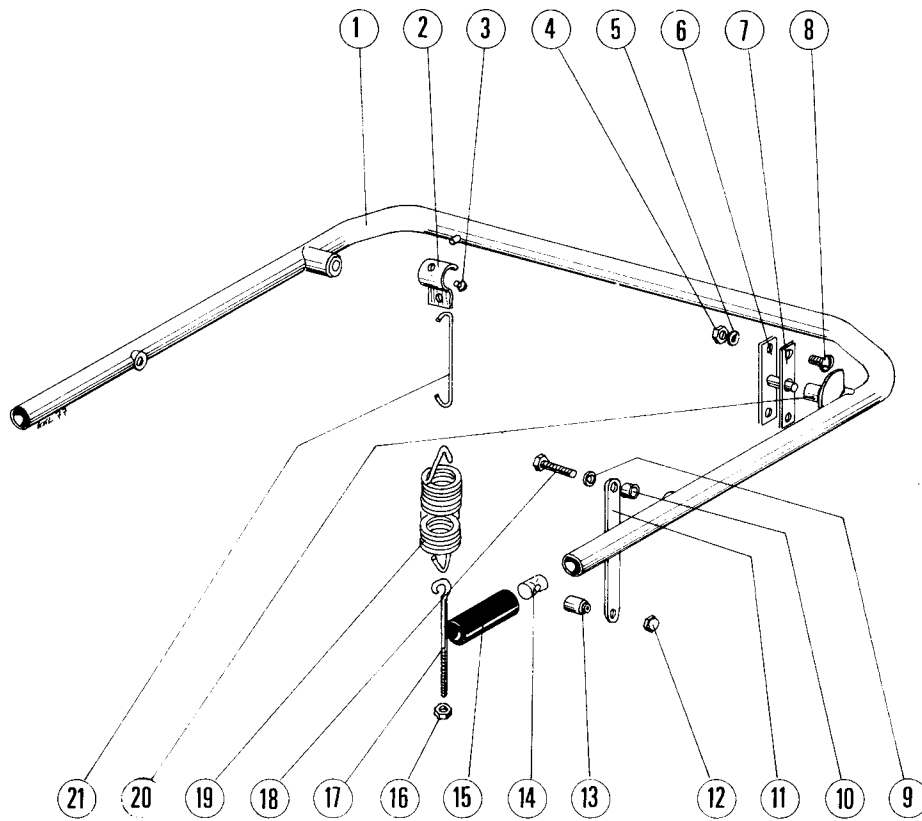
PLE - 100 385



Reed Switch - Door

AM-12EF

Key No	Part No	Description	Qty
1	119011	Link - Door	1
2	228149	Joint Bolt	1
3	228151	Protection Sleeve	1
4	228147	Operating Bar	1
5	228148	Guide Bearing	1
6	NUM-E-??-??	Pipe Nut 3/8" BSP	1
7	168611-9	Gasket	1
8	NUM-E-2-6	Nut M4	2
9	228795	Reed Switch (Alt No 140686)	1
10	169048-2	Reduction Bushing	1
11	226932-3	O-Ring	2
12	226508-3	Bushing	2
13	226507-9	Flexible Conduit	1
14	169045-10	Back Nut	1
15	227076	Cable Assy	1
16	228146	Adjusting	1
17	SCM-E-6-48	Screw M4 x 40	2
18	LWM-E-2-2	Lockwasher M4	2
19	NUM-E-3-2	Nut M6	2
20	WAM-E-8-28	Washer M6	2



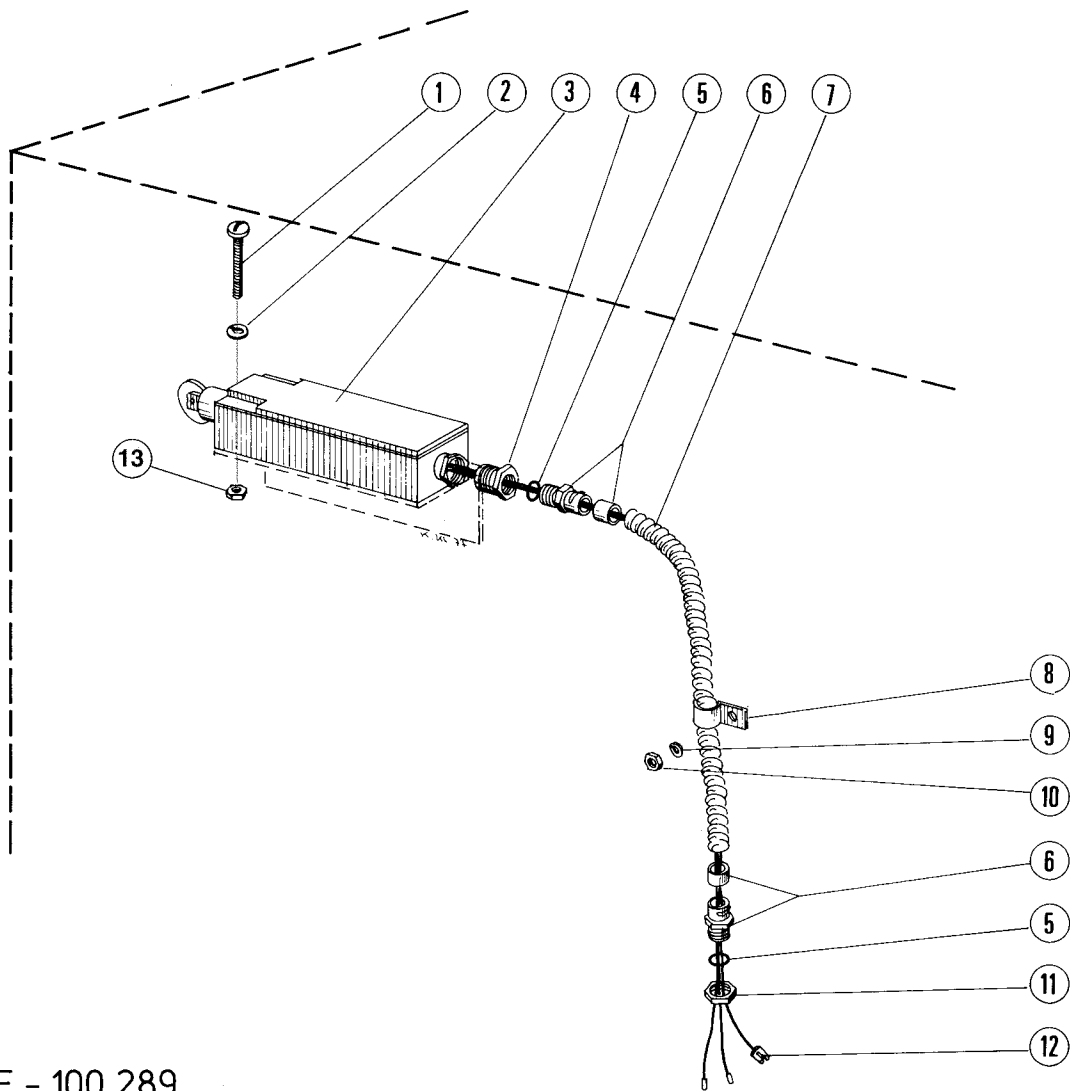
PLE - 100 276



Door Lift Unit

AM-12E

Key No	Part No	Description	Qty
1	226673	Door Lift Assy	1
2	774446-1	Hanger Spring	1
3	119055	Button - Bearing	2
4	NUM-E-3-2	Nut M6	4
5	LWM-E-3-1	Lockwasher M6	4
6	119017	Bearing Bracket & Pin Assy	2
7	119053	Gasket - Door Lift	2
8	SCM-E-13-28	Screw M6 x 16	4
9	WAM-E-8-40	Washer M8	2
10	119048	Spacer - Door Link	2
11	119011	Link - Door	2
12	NUM-E-3-31	Nut M8	2
13	119012	Spacer - Door	2
14	226593	Threaded Coupling	2
15	226640	Handle	2
16	NUM-E-3-27	Nut M8	2
17	SCM-E-6-48	Eyebolt M8 x 100	1
18	SCM-E-14-9	Screw M8 x 16	2
19	119079-1	Spring Counterbalance	1
20	119104	Bushing - Door Lift Pin	2
21	226595	Hook - Spring	1



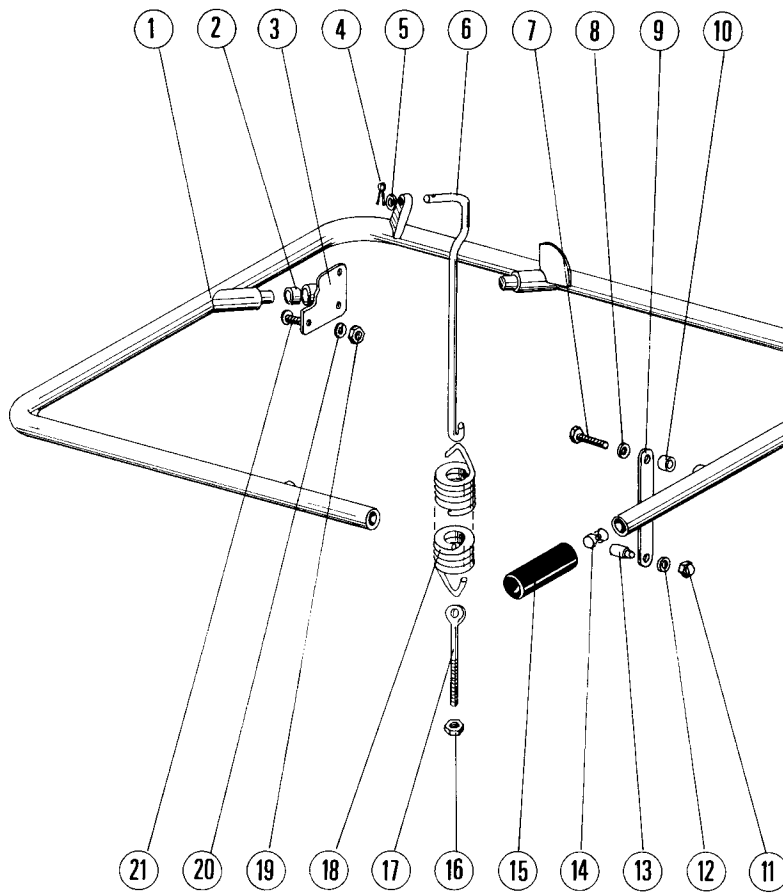
PLE - 100 289



Reed Switch - Door Lift Unit

AM-12E

Key No	Part No	Description	Qty
1	SCM-E-??-??	Screw M4 x 40 (DIN 86 - A2)	2
2	LWM-E-2-2	Lockwasher M4	2
3	228795	End Switch (Alt No 140686)	1
4	169048-2	Reduction Bushing	1
5	226932-3	O-Ring	2
6	226508-3	Bushing	2
7	226507-6	Flexible Conduit	1
8	226937	P-Clip	4
9	LWM-E-3-1	Lockwasher M6	4
10	NUM-E-3-2	Nut M6	4
11	169045-10	Back Nut	1
12	226938	Cable Assy	1
13	NUM-E-2-6	Nut M4	2



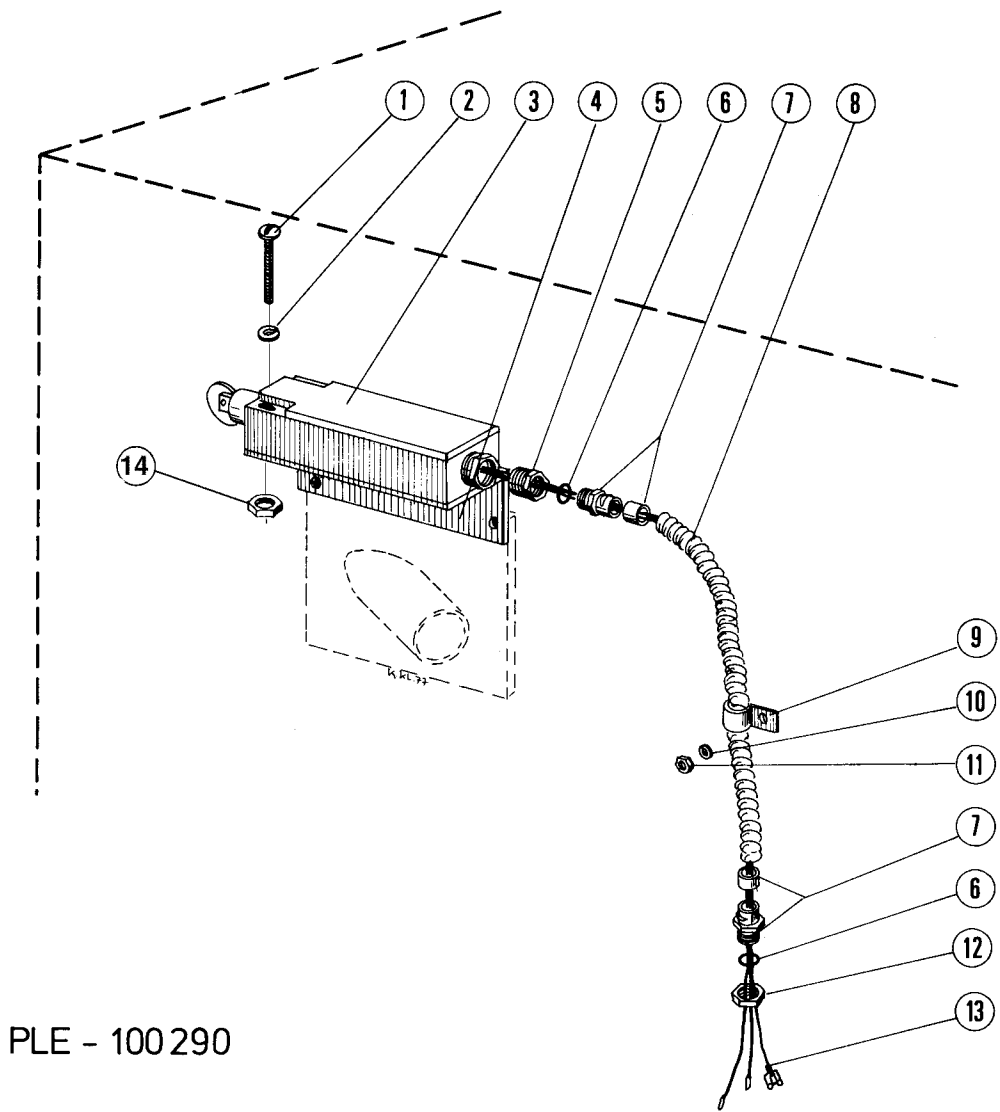
PLE -100 277



Door Lift Unit

AM-12EC

Key No	Part No	Description	Qty
1	226683	Door Lift Assy	1
2	74532	Bushing	2
3	226689	Pivot Assy	2
4	CP-E-1-18	Cotter Pin	2
5	WAM-E 8-34	Washer M8	2
6	226669	Hook Spring	1
7	SCM-E-14-9	Screw M8 x 16	2
8	WAM-E-8-40	Washer M8	2
9	119042	Link - Door Lift	2
10	119048	Spacer - Door Link	2
11	NUM-E-3-31	Nut M8	2
12	WAM-E-8-34	Washer M8	2
13	119046	Pin - Door Lift	2
14	226593	Threaded Coupling	2
15	226640	Handle	2
16	NUM-E-3-27	Nut M8	2
17	SCM-E-6-48	Eyebolt M8 x 100	1
18	119079-2	Spring Counterbalance	1
19	NUM-E-3-2	Nut M6	8
20	LWM-E-3-1	Lockwasher	8
21	SCM-E-13-23	Screw M6 x 16	8



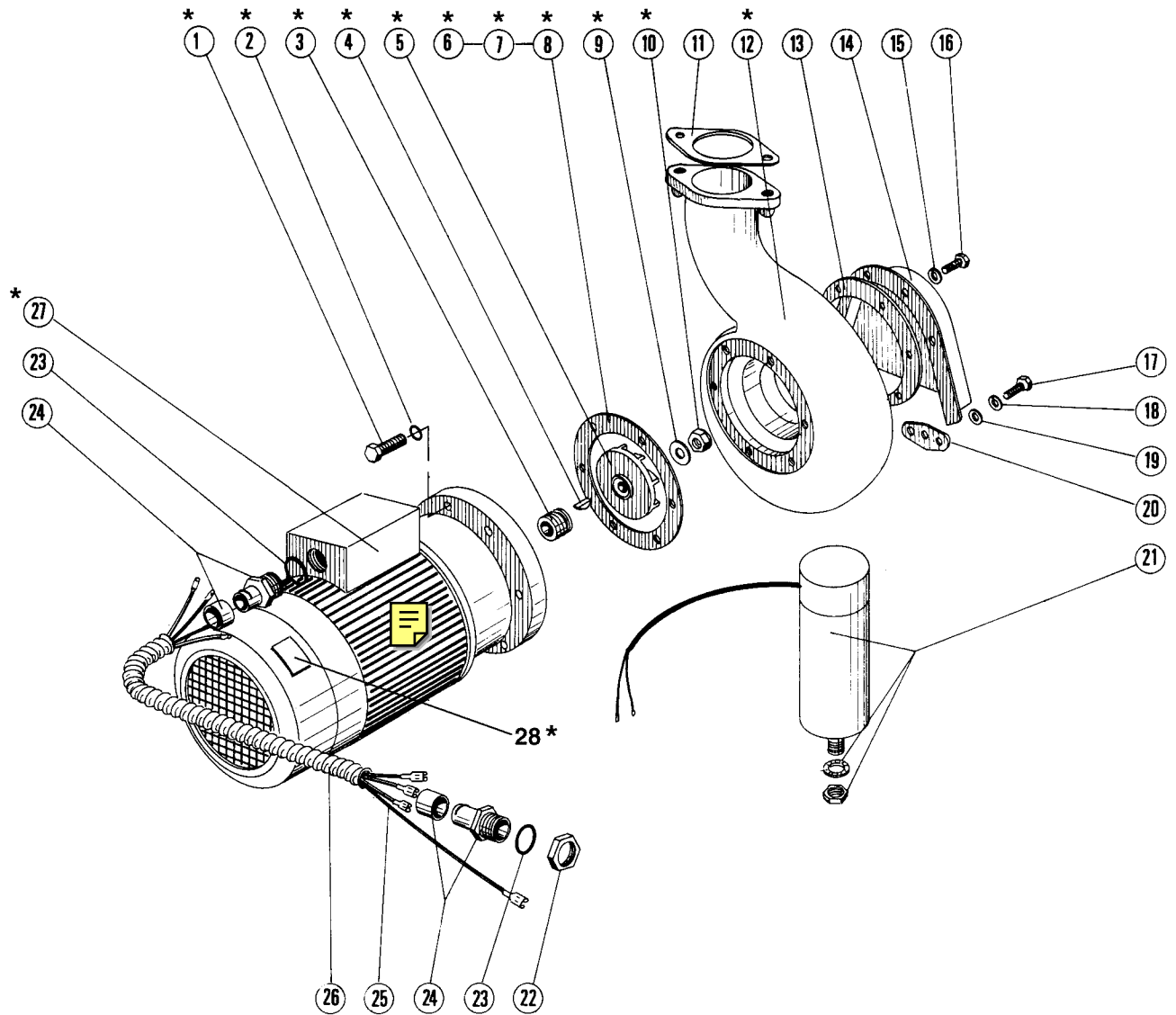
PLE - 100290



Reed Switch - Door Lift Unit

AM-12EC

Key No	Part No	Description	Qty
1	SCM-E-11-47	Screw M4 x 40	2
2	LWM-E-2-2	Lockwasher	2
3	228795	Reed Switch (Alt No 140686)	1
4	226788	Bracket	1
5	169048-2	Reduction Bushing	1
6	226932-3	O-Ring	2
7	226508-3	Bushing	2
8	226507-7	Flexible Conduit	1
9	226937	P-Clip	6
10	LWM-E-3-1	Lockwasher	6
11	NUM-E-3-2	Nut M6	6
12	169045-10	Back Nut	1
13	226941	Cable Assy	1
14	NUM-E-2-6	Nut M4	2



PLE - 100275

*** Included in Key 29.**



Pump & Motor Unit

AM-12EC
AM-12EC
AM-12EF

Key No	Part No	Description	Qty
1	SCM-E-13-30	Screw M6 x 20	6
2	168672-1	Gasket (Alt No WA-E-2-32 washer)	6
3	104329	Shaft Seal Assy 5/8" (Alt No 136098) Note: If the pump shell is stainless steel use 104329.	1
4	WK-E-2-16	Woodruff Key	1
5	136056-5	Impellor (102mm)	1
6	119038-1	Gasket - Blue (0,125mm)	
7	119038-2	Gasket - Brown (0,25mm)	
8	119038-3	Gasket - Yellow (0,5mm)	
9	WAM-E-8-40	Washer M10	1
10	NUM-E-4-3	Nut M10	1
11	119054	Gasket	1
12	118961-M	Pump Shell	1
13	119050	Gasket	1
14	118960	Pump Intake Shroud	1
15	LWM-E-3-27	Lockwasher M8	6
16	SCM-E-14-15	Screw M8 x 20	6
17	SCM-E-13-24	Screw M6 x 16	6
18	LWM-E-3-1	Lockwasher M6	6
19	WAM-E-8-28	Washer M6	6
20	119051	Gasket	1
21	227181-1	Capacitor 60uF	1
	146048-41	Capacitor 20uF-1PH Motor	
	146048-40	Capacitor 80uF-1PH Motor	
	146048-39	Start Relay -1PH Motor	
22	169045-1	Back Nut	1



Pump & Motor Unit

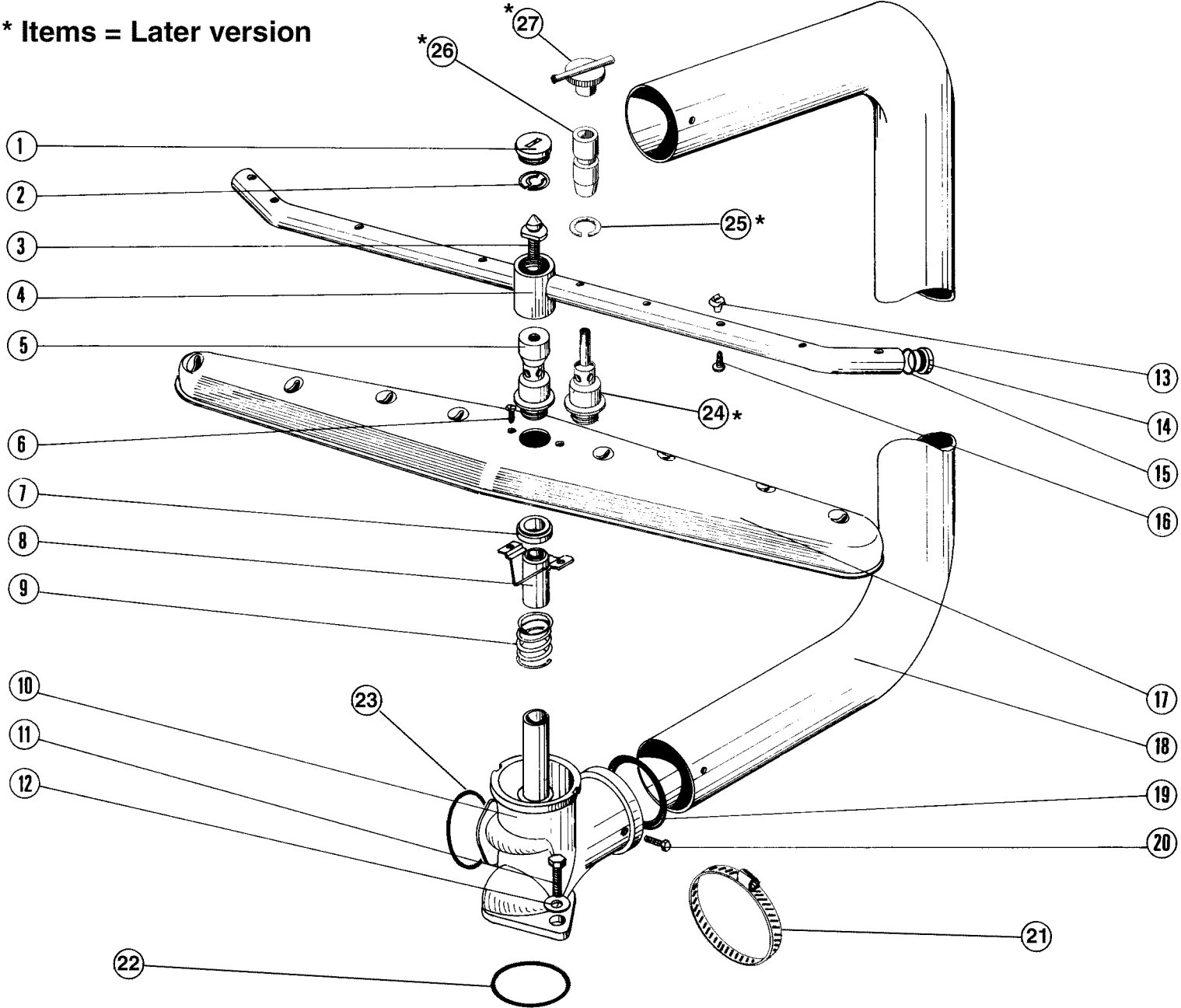
AM-12EC
AM-12EC
AM-12EF

Key No	Part No	Description	Qty
23	226932-1	O-Ring	2
24	226508-2	Bushing	2
25	226523	Cable Assy	1
26	226507-4	Flexibal Conduit	1
27	146048-1	Motor - 1PH	1
	146066-2	Motor - 3PH	
	BB-E-4-26	Ball Brg - 20mm DE	
	BB-E-2-30	Ball Brg - 17mm non DE	
28	135417-4	Turning Direction Symbol	1
29	226655-4	Pump with Motor - 1PH	1
	226655-2	Pump with Motor - 3PH	
		Note: Incl. items 1-10,12,27,28.	
30	119265	Gasket Kit Incl. items 6 - 8.	1

Lower Wash Arm Unit

**AM-12E
AM-12EC
AM-12EF**

* Items = Later version





Lower Wash Arm Unit

AM-12EC
AM-12EC
AM-12EF

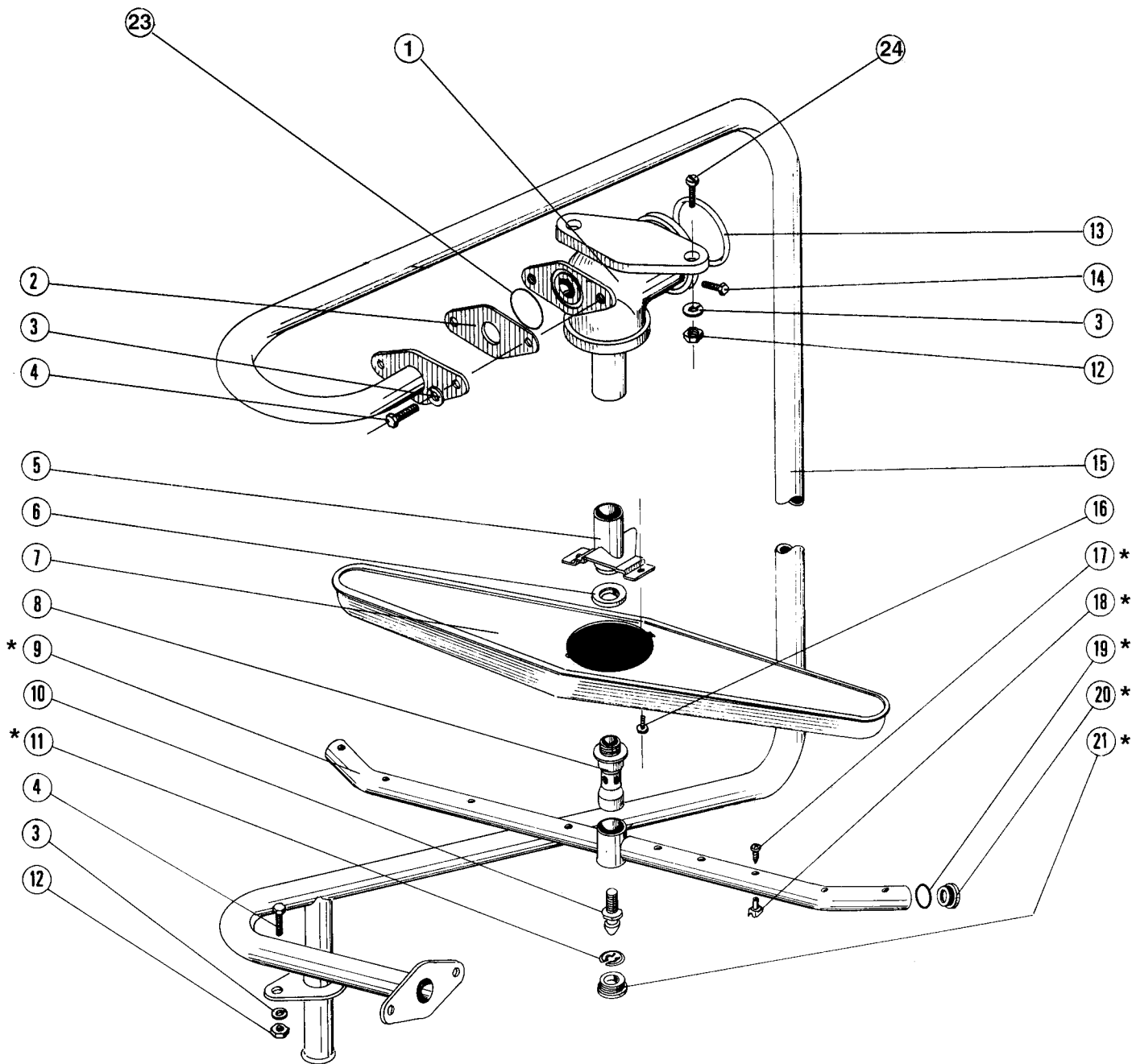
Key No	Part No	Description	Qty
1	226647	Plug	1
2	226803	Spring	1
3	226852	Trunnion Screw	1
4	297847	Rinse Arm Kit (Incl.items 13 - 16 & 24 - 27) Note: Kit is now only available in later version.	1
5	170144	Shaft - Rinse Arm Assy	1
6	SCM-E-12-18	Screw M5 x 10	2
7	119227	Thrust Washer	1
8	119222-M	Hub Assy	1
9	119229	Spring Compression	1
10	172694	Tee - Lower Wash Arm Note: you may require Jubilee Clip - 166513-3	1
11	SCM-E-15-22	Screw M10	2
12	WAM-E-8-42	Washer M10	2
13	226800-1	Nozzle - Rinse	9
14	226816	Plug	2
15	67500-30	O-Ring	2
16	SD-E-1-32	Screw	9
17	227051	Wash Arm & Hub Assy (Incl. items 6 - 8 ,17)	1
18	226757	Tube - Wash	1
19	67500-57	O-Ring	1
20	SCM-E-12-6	Screw M5 x 10	1
21	166513-3	Jubilee Clip	1
22	276903-10	O-Ring	1
23	276903-9	O-Ring	1



Lower Wash Arm Unit

AM-12EC
AM-12EC
AM-12EF

Key No	Part No	Description	Qty
24	296092	Rinse Arm Shaft Assy	1
25	RR-E-2-38	Retaining Ring	1
26	228643	Bushing	1
27	296096	Special Screw/Nut	1



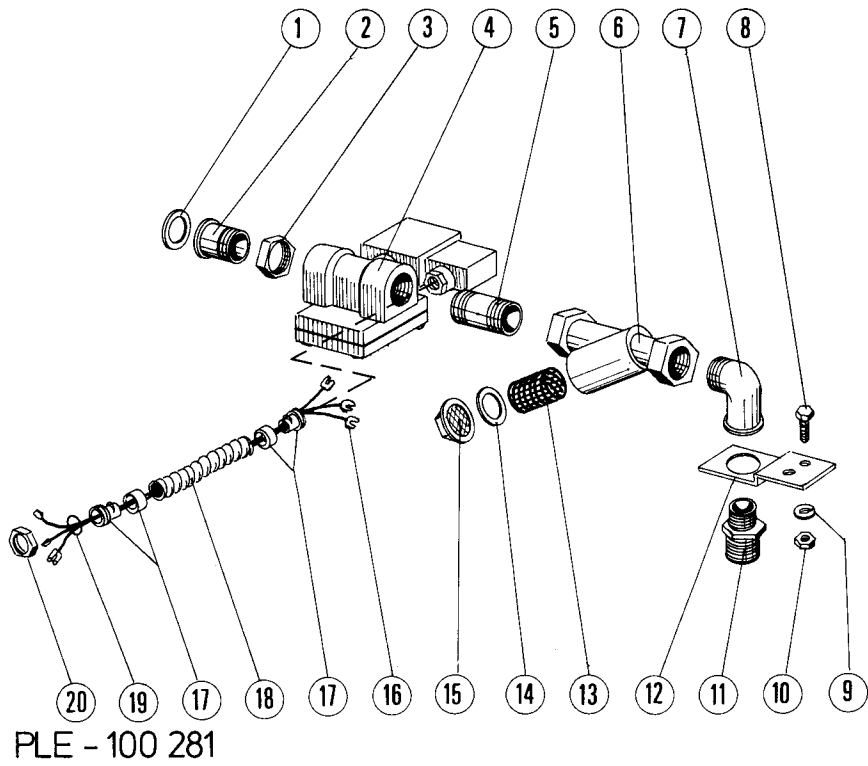
***= Key 22 Upper/Lower Rinse Arm Assy**



Upper Wash System & Rinse

AM-12EC
AM-12EC
AM-12EF

Key No	Part No	Description	Qty
1	172695	Upper Wash Ell	1
2	226643	Gasket	3
3	LWM-E-3-27	Lockwasher M8	6
4	SCM-E-14-9	M8 x 16	6
5	119222-M	Hub Assy	1
6	119227	Thrust Washer	1
7	227051	Wash Arm & Hub Assy (Incl. items 5 - 7 & 16)	1
8	170144	Axle Asy	1
9	226751	Rinse Arm	1
10	226852	Trunnion Screw	1
11	226803	Spring	1
12	NUM-E-3-27	Nut M8	4
13	67500-57	O-Ring	1
14	SCM-E-12-6	Screw M5 x 10	1
15	170770	Rinse Pipe Assy	1
16	SCM-E-12-18	Screw M5 x 10	2
17	SD-E-1-32	Screw (din 7981-A2)	9
18	226800-1	Nozzle - Rinse	9
19	67500-30	O-Ring	2
20	226816	Plug	2
21	226647	Plug	1
22	297847	Rinse Arm Assy (Incl.items 9,11,17-21) Note: Assy is later version see page..... for drawings	1
23	276903-9	O-Ring	1
24	SCM-E-14-17	Screw M8 x 20	2





Feed Pipework

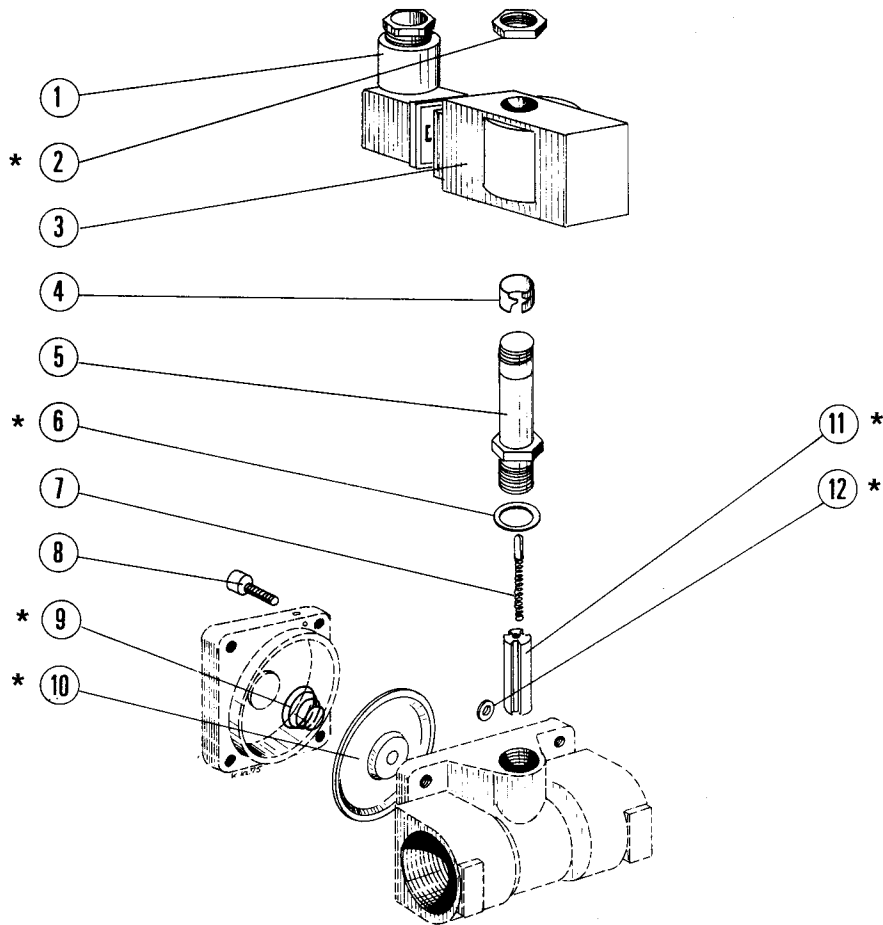
AM-12EC
AM-12EC
AM-12EF

Key No	Part No	Description	Qty
1	300084-2	Gasket	1
2	PFM-E-21-29	Union End	1
3	PFM-E-21-36	Nut	1
4	59486-1	Solenoid Valve 1/2"	1
5	PFM-E-21-31	Nipple	1
6	168682-1	Line Strainer (Incl. items 13,14&15)	1
7	603020	Elbow	1
8	SCM-E-12-6	Lockwasher M5	2
9	LWM-E-2-28	Lockwasher	2
10	NUM-E-2-30	Nut M5	2
11	PFM-E-21-28	Nipple	1
12	226911	Bracket	1
13	PF-E-18-46	Strainer	1
14	??????????	Gasket (refer to Key 6)	1
15	??????????	Plug (refer to Key 6)	1
16	226525	Cable Assy	1
17	226508-2	Bushing	2
18	226507-3	Flexible Conduit	1
19	226932-1	O-Ring	1
20	169045-1	Back Nut	1
	226653-1	Feed Pipwork Assy (Incl.items 2 - 7 & 13 - 15)	1



Solenoid Valve Herion 1/2"

AM-12E
AM-12EC
AM-12EF



PLE-100163

* = 170959 Solenoid Valve Kit



Solenoid Valve - Herion 1/2"

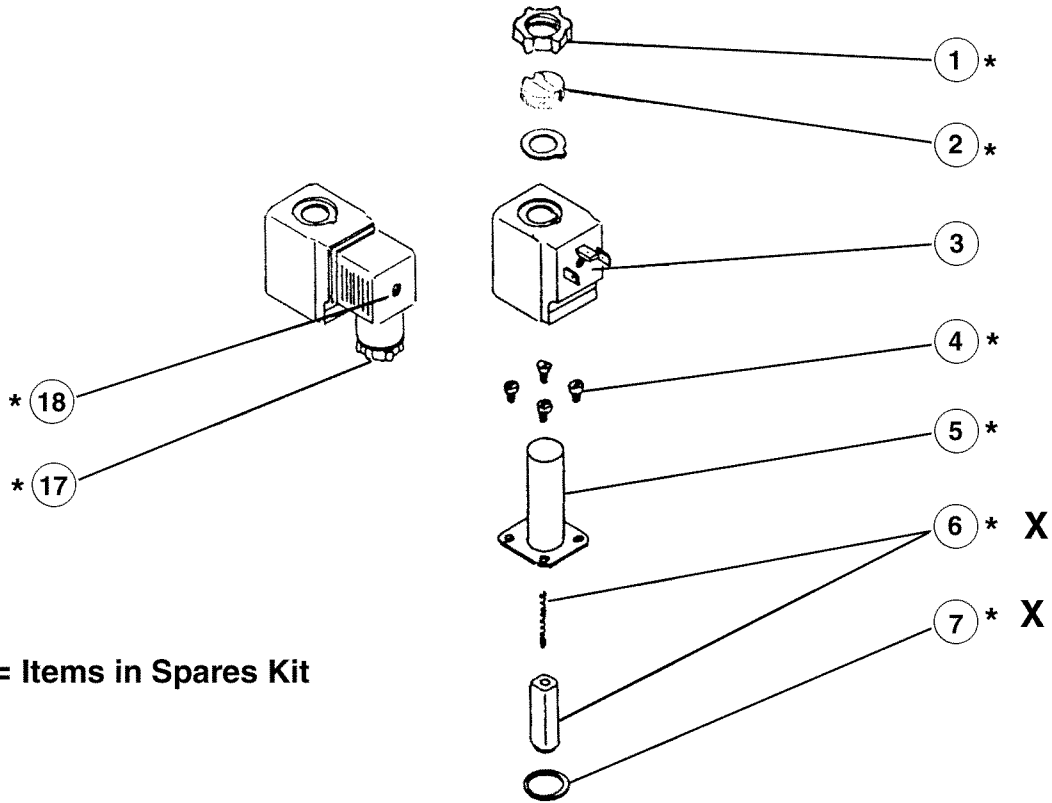
AM-12EC
AM-12EC
AM-12EF

Key No	Part No	Description	Qty
1	228905-2	Plug	1
2	226238-9	Screw (part of valve kit - 170959)	1
3	226238-7-1	Soleniod Coil - 220V	1
	226238-7-2	Soleniod Coil - 240V	1
4	226238-8	Spacer Ring	1
5	226238-11	Guide Bearing	1
6	226238-5	O-Ring (part of valve kit - 170959)	1
7	226238-3	Spring Pin	1
8	226238-12	Screw M6 x 16	1
9	226238-1	Spring (part of valve kit - 170959)	1
10	226238-2	Diaphragm (part of valve kit - 170959)	1
11	226238-6	Plunger (part of valve kit - 170959)	1
12	226238-4	O-Ring (part of valve kit - 170959)	1
	173863	Solenoid Valve	1
	173863-11	Spares Kit	1
	173863-12	Coil	1

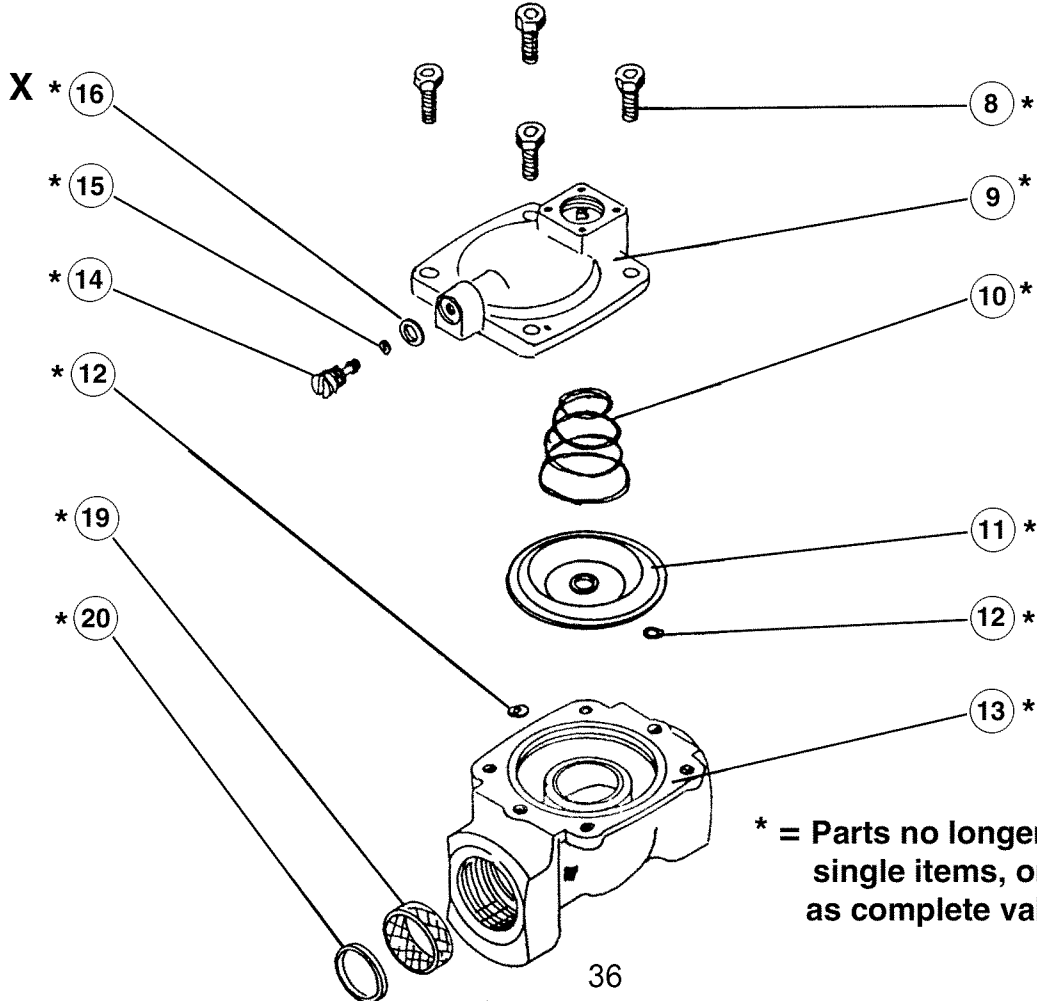


Solenoid Valve Danfoss 1/2"

**AM-12E
AM-12EC
AM-12EF**



X = Items in Spares Kit

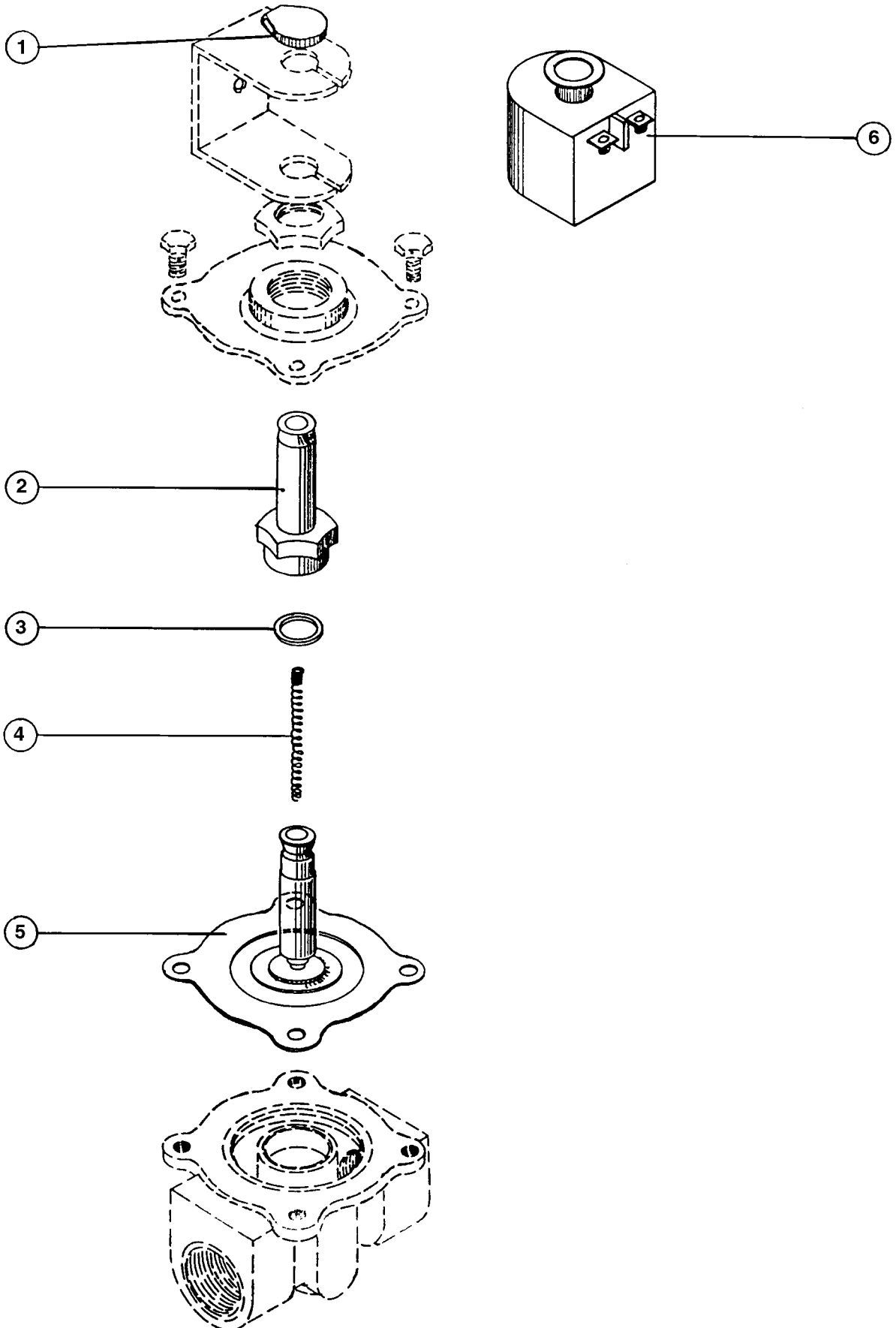




Solenoid Valve - Danfoss 1/2"

AM-12EC
AM-12EC
AM-12EF

Key No	Part No	Description	Qty
1	Nut	1
2	Lock	1
3	146076-20 146076-23	Coil - 220V Coil - 230-250V	1
4	Screw M4 x 6	4
5	Gide Bearing	1
6	Plunger with Spring	1
7	Gasket	1
8	Screw M5 x 12	4
9	Bonnet	1
10	Spring	1
11	Diaphragm	1
12	O-Ring	2
13	Body	1
14	Screw	1
15	O-Ring	1
16	Gasket	1
17	Cable Gland	1
18	Terminal Box	1
19	Strainer	1
20	Ring	1
	146076	Solenoid Valve (LessCoil)	1
	146076-40	Spare Kit (X)	1





Solenoid Valve Kit - Asco 3/4"

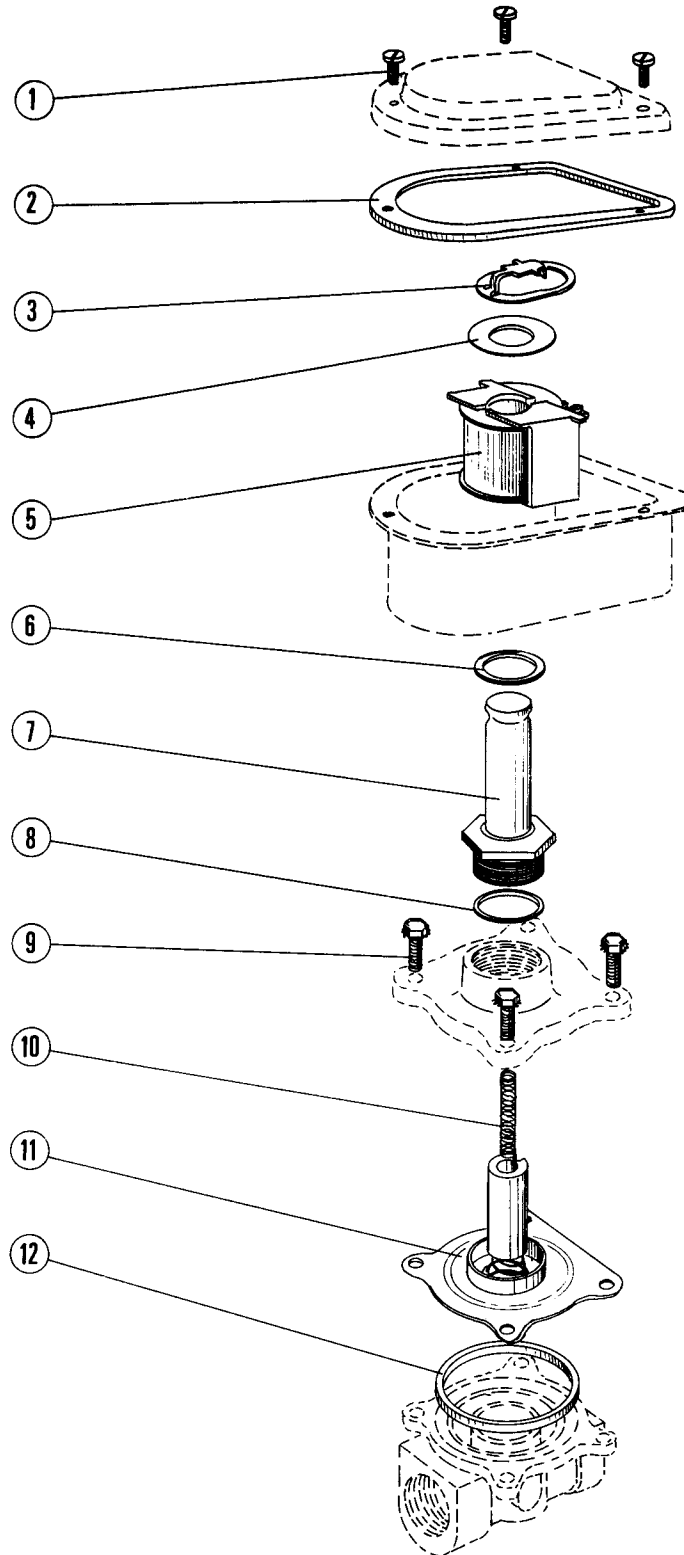
AM-12EC
AM-12EC
AM-12EF

Key No	Part No	Description	Qty
1	Retaining Cap	1
2	Guide Bearing	1
3	Gasket	1
4	Spring	1
5	Diaphragm	1
6	59464-20 59464-23	Coil - 240V Coil - 415V	1
	59486-10	Spares Kit 1/2" (Incl.items 1 - 5)	1
	59464-1 59486-1	Solenoid Valve 3/4" - Complete Solenoid Valve 1/2" - Complete	1



Solenoid Valve - 3/4" Steam

AM-12E
AM-12EC
AM-12EF



PLE - 100 233



Solenoid Valve - 3/4" Steam

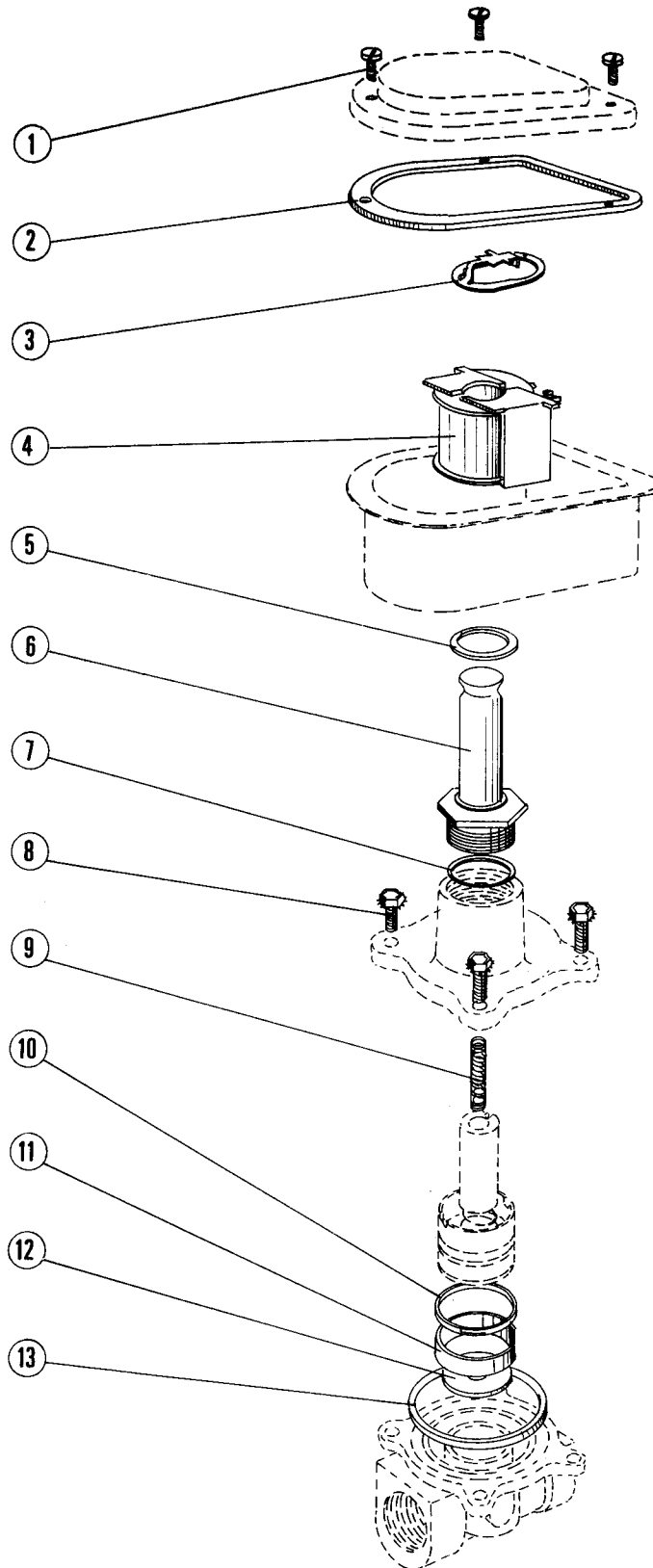
AM-12EC
AM-12EC
AM-12EF

Key No	Part No	Description	Qty
1	226763-1	Screw M4 x 8	3
2	226763-2	Gasket	1
3	226763-3	Retaining Ring	1
4	226763-4	Washer	1
5	226763-5-1	Coil - 220V	1
	226763-5-2	Coil - 240V	1
6	226763-6	O-Ring	1
7	226763-7	Solenoid Base Sub-Assy	1
8	226763-8	O-Ring	1
9	226763-9	Screw M6 x 16	4
10	168785-10	Solenoid Valve Spares Kit 3/4"	1
11		Note Items 10,11&12 are only available as	
12		part of 168785-10	
	168785-1	Solenoid Valve 3/4" Complete 220V	1
	168785-2	Solenoid Valve 3/4" Complete 240V	1



Solenoid Valve - 3/4" Steam

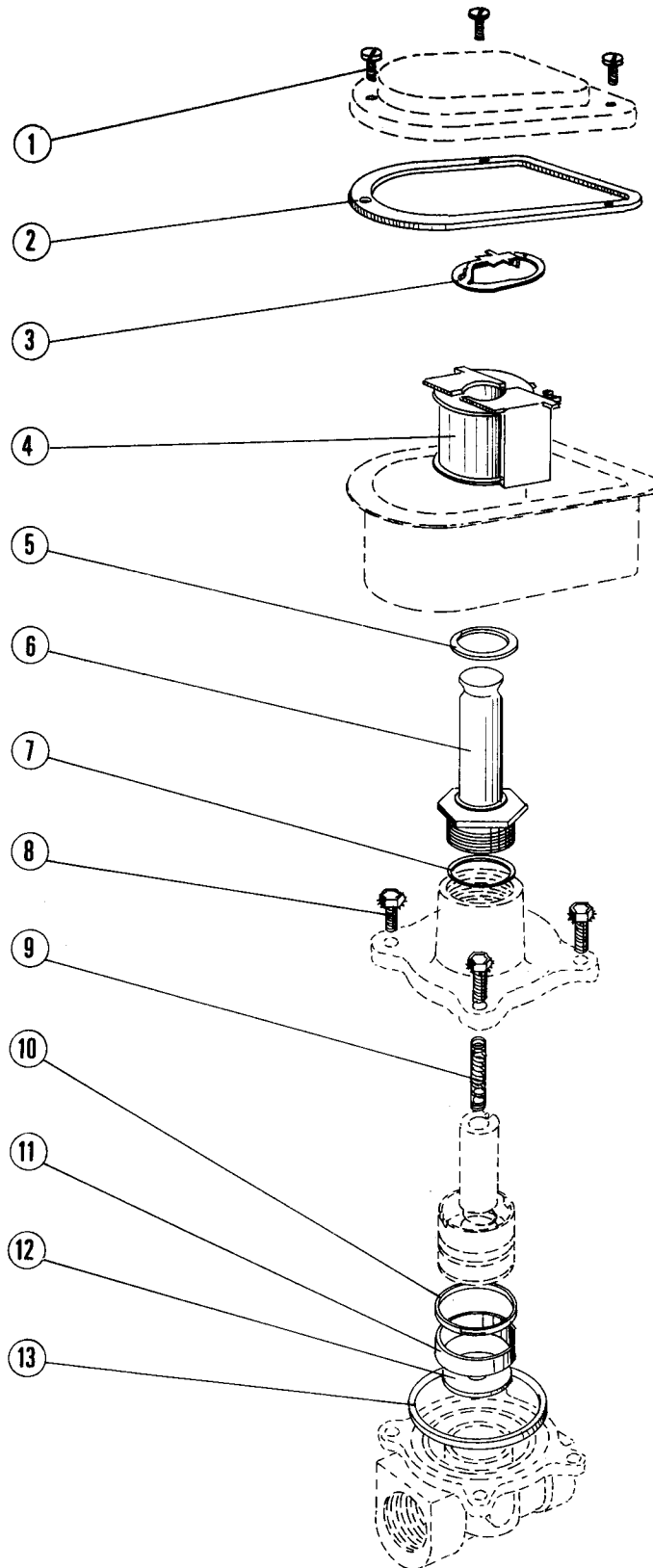
AM-12E
AM-12EC
AM-12EF





Solenoid Valve - 3/4" Steam

AM-12E
AM-12EC
AM-12EF



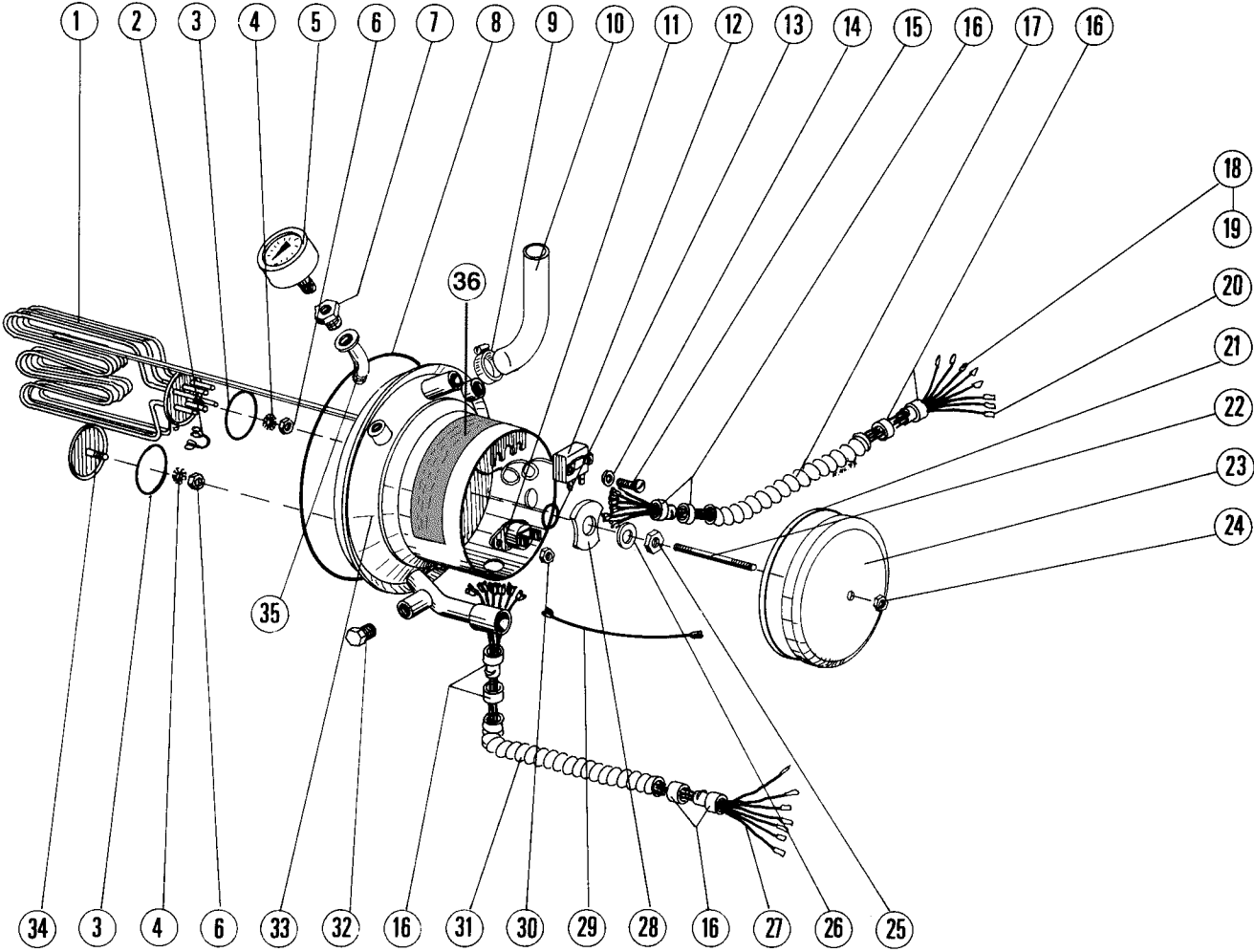
PLE - 100234



Solenoid Valve - 3/4" Steam

AM-12EC
AM-12EC
AM-12EF

Key No	Part No	Description	Qty
1	226764-1	Scew M4 x 8	3
2	226764-2	Gasket	1
3	226764-3	Retaining Clip	1
4	226764-4-1	Solenoid Coil (220V)	1
	226764-4-2	Solenoid Coil (240V)	1
5	226764-5	O-Ring	1
6	226764-6	Solenoid Base Sub,Assy	1
7	226764-7	Gasket	1
8	226764-8	Srew M6 X 16	4
9	226764-9	Spring	1
10	226764-10	Segment	1
11	226764-11	Segment	1
12	226764-12	Gasket Ring	1
13	226764-13	O-Ring	1
	774625-1	Solenoid Valve Assy (Incl.items 1 - 13)	1
	170998	Spares Kit (Incl.items 7, & 9 - 13)	1





Electric Booster

AM-12EC
AM-12EC
AM-12EF

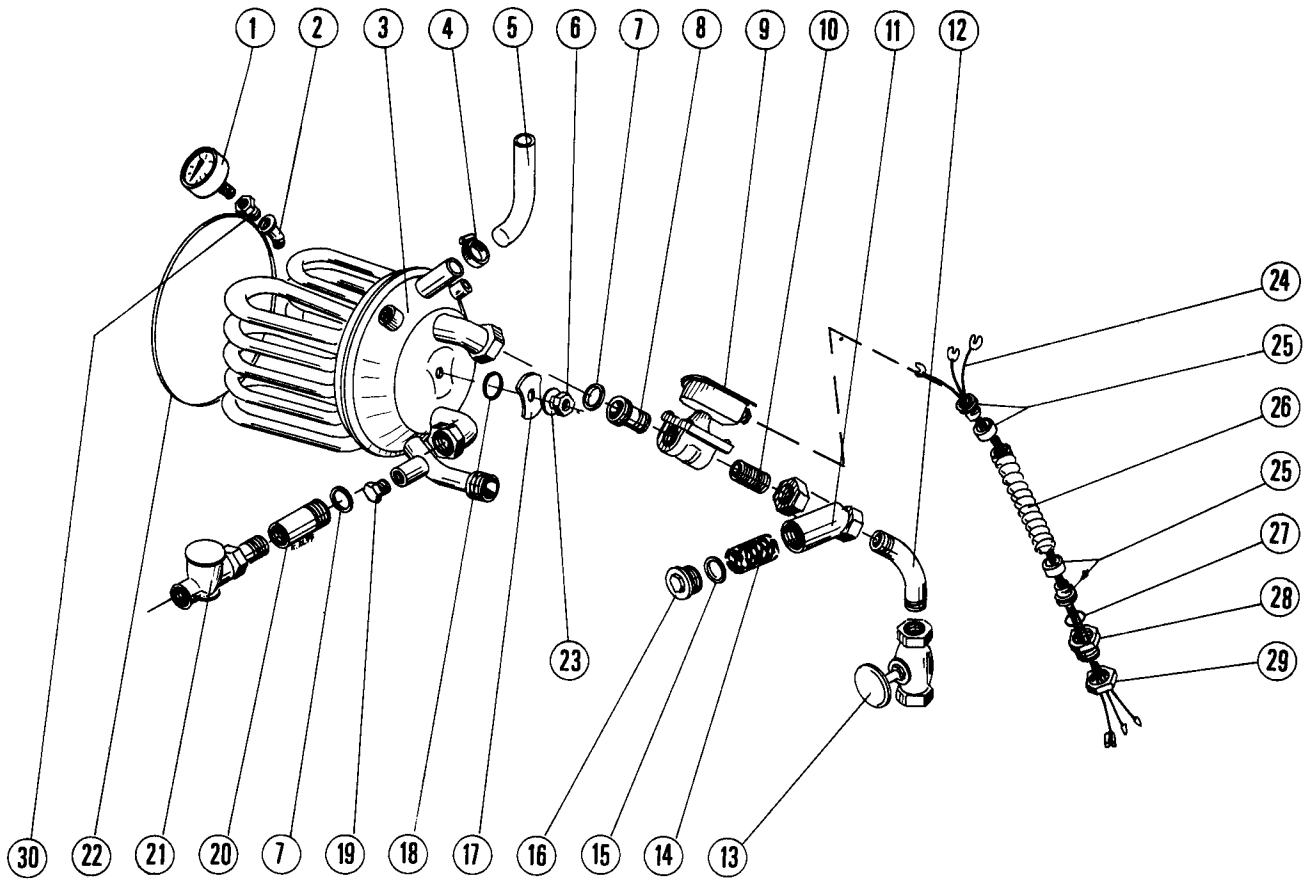
Key No	Part No	Description	Qty
1	226506-1	Heating Element 220/380V 9kW	
	226506-2	Heating Element 240/415V 9kW "UK" Standard	
	170495-1	Heating Element 220/380V 6kW	
	170495-2	Heating Element 240/415V 6kW	
2	227073-8	Bridge (9kW)	
3	226988	O-Ring	2
4	LWM-E-2-29	Lockwasher	2
5	226992	Pressure Gauge	1
6	NUM-E-2-30	Nut M5	2
7	PF-E-21-24	Reducing Bush	1
8	226894-1	Loop - Ring	1
9	166513-2	Hose Clamp	2
10	226994-1	Hose	1
11	226504	Temperature Cut-Out	1
12	226505	Thermostat	1
13	67500-6	O-Ring	1
14	WAM-E-8-14	Washer M4	2
15	SCM-E-11-8	Screw M4 x 10	2
16	297828-1	Bushing	
17	226507-1	Flexible Conduit	1
18	226509	Cable	
19	227070	Cable	2
20	226510	Cable	1
21	SU-E-11-35	Sealing Strip	1
22	226746	Screw	1



Electric Booster

AM-12EC
AM-12EC
AM-12EF

Key No	Part No	Description	Qty
23	226974	Connecting Enclosure Cover Assy	1
24	NUM-E-3-2	Nut M6	1
25	NUM-E-4-26	Nut M12	1
26	WAM-E-8-45	Washer M12	1
27	227047	Cable	2
28	226514-2	Washer	1
29	226122	Earth Wire	1
30	NUM-E-1-8	Nut M3	2
31	226507-10	Flexible Conduit	1
32	226989	Plug	1
33	226491	Booster Cover Assy	1
34	226804	Socket (for 9kW only)	1
35	PFM-E-21-8	Elbow	1
36	170189	Instruction Lable	1



PLE - 100 282



Booster - Steam 1,5 - 50 P.S.I

AM-12EC
AM-12EC
AM-12EF

Key No	Part No	Description	Qty
1	226992	Pressure Gauge	1
2	PFM-E-21-8	Elbow	1
3	226884	Booster Cover Assy	1
4	166513-2	Hose Clamp	2
5	226994-1	Hose	1
6	NUM-E-4-26	Nut M12	1
7	168611-1	Gasket	2
8	168866	Union Bush	1
9	168785-1	Solenoid Valve 3/4" 220V	1
	168785-2	Solenoid Valve 3/4" 240V	1
10	Nipple	1
11	PF-E-2-6	Line Strainer (Incl.items 14,15 & 16)	1
12	226889	Elbow	1
13	168757-1	Shut-Off Valve	1
14	226158-4	Strainer	1
15	168611-8	Gasket	1
16	226157-4	Plug	1
17	226514-2	Washer	1
18	67500-6	O-Ring	1
19	226989	Plug	1
20	168833	Union Reducing	1
21	168704	Steam Trap	1
22	226894-1	Loop - Ring	1
23	WAM-E-8-45	Washer M12	1



Booster - Steam 1,5 - 50 P.S.I

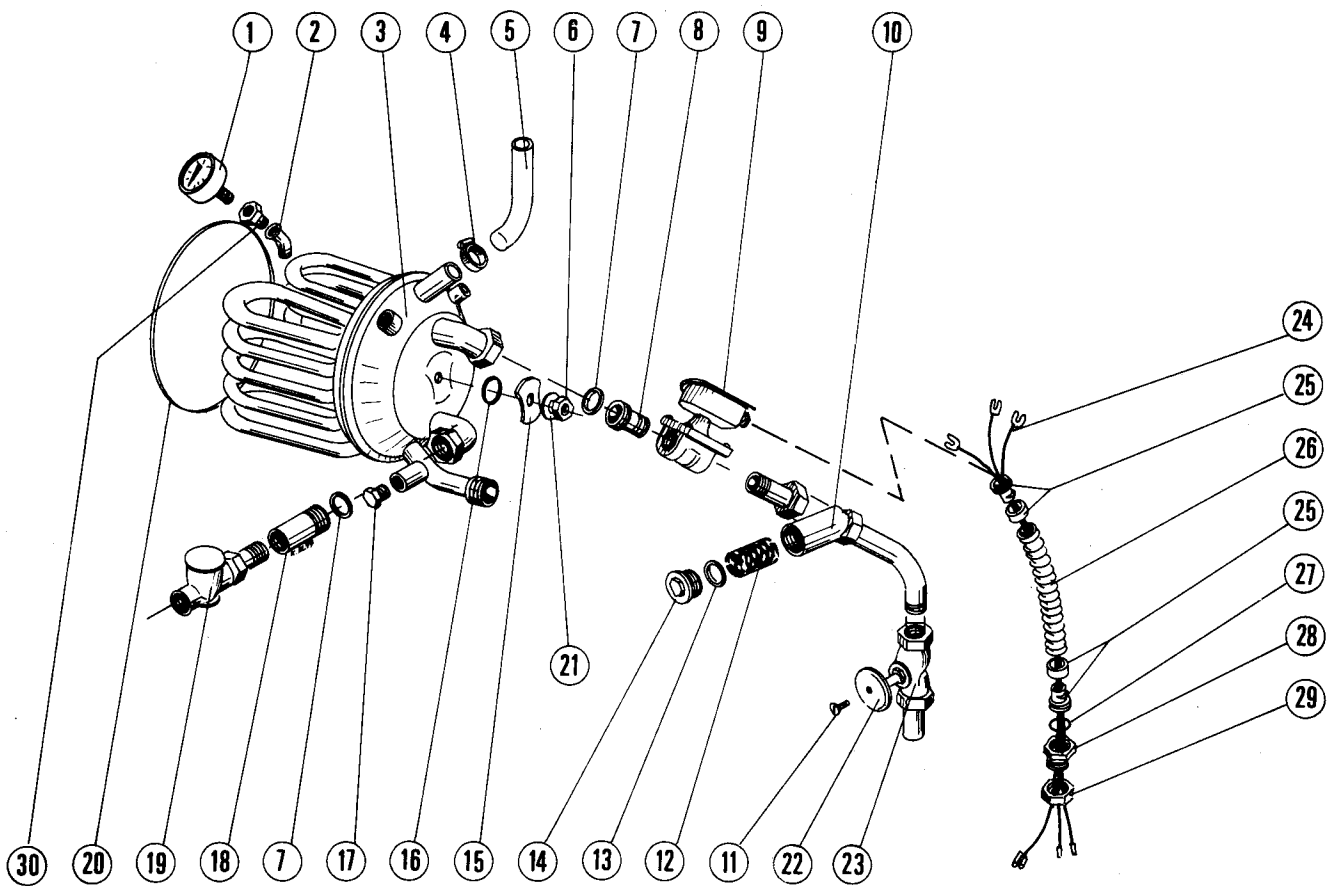
AM-12EC
AM-12EC
AM-12EF

Key No	Part No	Description	Qty
24	227007	Cable Assy	1
25	226508-2	Bushing	2
26	226507-5	Flexible Conduit	1
27	226932-1	O-Ring	1
28	169048-4	Reduction Bushing	1
29	169045-3	Back Nut	1
30	PF-E-21-24	Reducing Bush	1
	226888-1	Inlet Pipework Assy (Incl.items 8 - 16) 220V	1
	226888-2	Inlet Pipework Assy (Incl.items 8 - 16) 240V	1



Booster - Steam, 51 - 145 P.S.I

AM-12E
AM-12EC
AM-12EF



PLE - 100 283



Booster - Steam,51- 145 P.S.I

AM-12EC
AM-12EC
AM-12EF

Key No	Part No	Description	Qty
1	226992	Pressure Gauge	1
2	PFM-E-21-8	Elbow	1
3	226884	Booster Cover Assy	1
4	166513-2	Hose Clamp	2
5	226994-1	Hose	1
6	NUM-E-4-26	Nut M12	1
7	168611-1	Gasket	2
8	168866	Union Bush	1
9	774625-1	Solenoid Valve	1
10	226898	Pipework Assy (Incl.items 12 - 14)	1
11	226167-1	Screw	1
12	226158-4	Strainer	1
13	300084-2	Gasket	1
14	226157-4	Plug	1
15	226514-2	Washer	1
16	67500-6	O-Ring	1
17	226989	Plug	1
18	168833	Union Reducing	1
19	168704	Steam Trap	1
20	226894-1	Loop - Ring	1
21	WAM-E-8-45	Washer M12	1
22	226166-1	Handwheel	1
23	165828-2	Shut Off - Valve (Incl.items 11 & 22)	1
24	227007	Cable Assy	1



Booster - Steam,51- 145 P.S.I

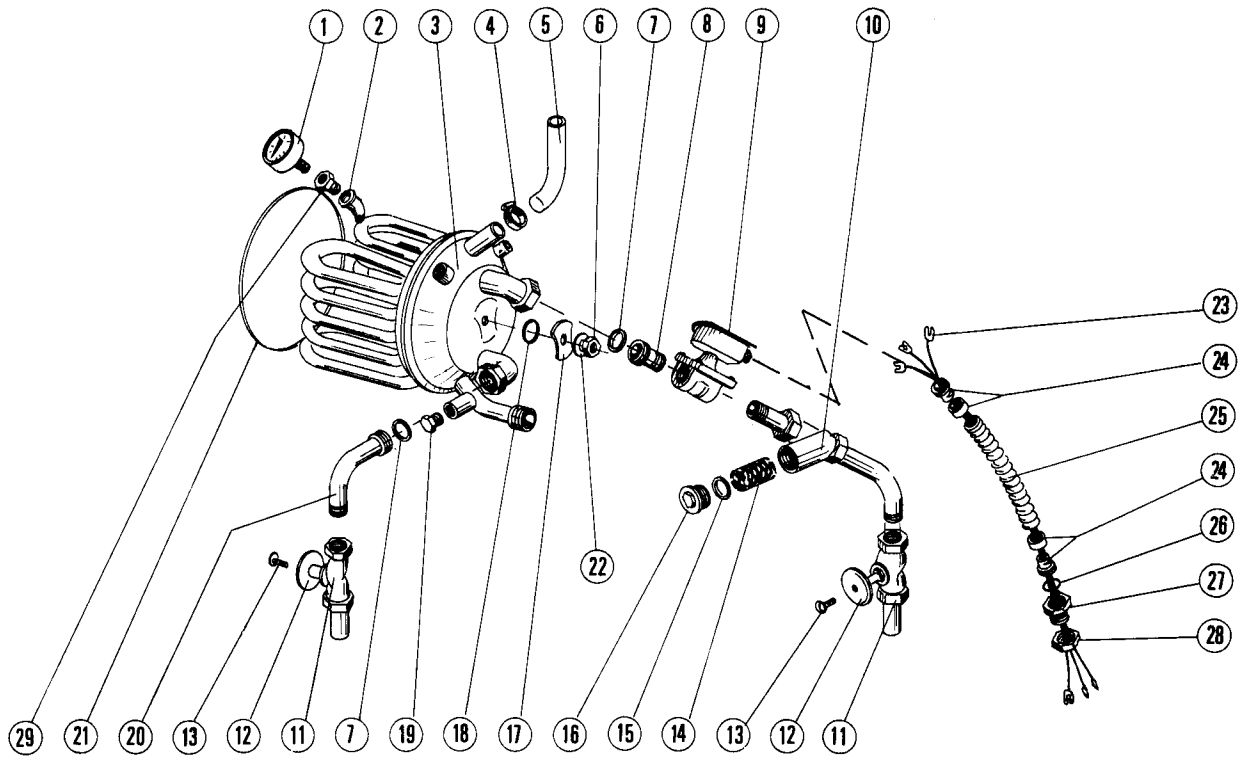
AM-12EC
AM-12EC
AM-12EF

Key No	Part No	Description	Qty
25	226508-2	Bushing	2
26	226507-5	Flexible Conduit	1
27	226932-1	O-Ring	1
28	169048-4	Reduction Bushing	1
29	169045-3	Back Nut	1
30	Reducing Bush (3241 3/8" - 1/4")	1
	226897-2	Inlet Pipework Assy (Incl. items 8 - 14 , 22 & 23)	1



Booster - Hotwater
110°C-160°C (15-232 P.S.I)

AM-12E
AM-12EC
AM-12EF



PLE - 100 284



Booster- Hotwater 110^oc-160^oc (15 - 232P.S.I.)

AM-12EC
AM-12EC
AM-12EF

Key No	Part No	Description	Qty
1	226992	Pressure Gauge	1
2	PFM-E-21-8	Elbow 45°	1
3	226884	Booster Cover Assy	1
4	166513-2	Hose Clamp	2
5	226994-1	Hose	1
6	NUM-E-4-26	Nut	1
7	168611-1	Gasket	2
8	168866	Union Bush	1
9	774625-1	Solenoid Valve	1
10	226898	Pipework Assy (Incl. items 14 - 16)	1
11	165828-2	Shut-Off Valve (Incl.items 12 & 13)	2
12	226166-1	Handwheel	2
13	226167-1	Screw	2
14	226158-4	Strainer	1
15	300084-2	Gasket	1
16	226157-4	Plug	1
17	226514-2	Washer	1
18	67500-6	O-Ring	1
19	226989	Plug	1
20	226899	Return Pipework (Incl.items 11 - 13)	1
21	226894-1	Loop - Ring	1
22	WAM-E-8-45	Washer M12	1
23	227007	Cable Assy	1
24	226508-2	Bushing	2



**Booster- Hotwater 110^oc-160^oc
(15 - 232P.S.I.)**

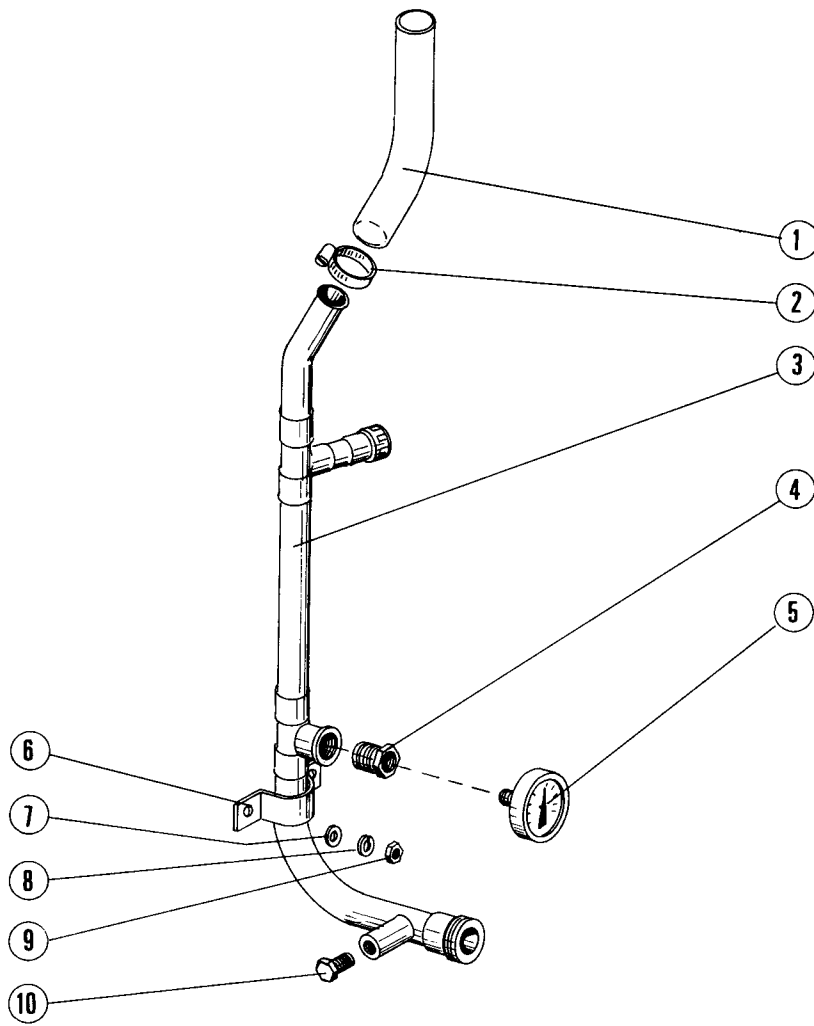
**AM-12EC
AM-12EC
AM-12EF**

Key No	Part No	Description	Qty
25	226507-5	Flexible Conduit	1
26	226932-1	O-Ring	1
27	169048-4	Reduction Bush	1
28	169045-3	Back Nut	1
29	Reducing Bush	1
30	226897-2	Inlet Pipework Assy (Incl.items 8 - 16) 240V	1



Fresh Water Inlet - Tankheating

AM-12E
AM-12EC
AM-12EF



PLE - 100 285



Fresh Water Inlet (Tankheating)

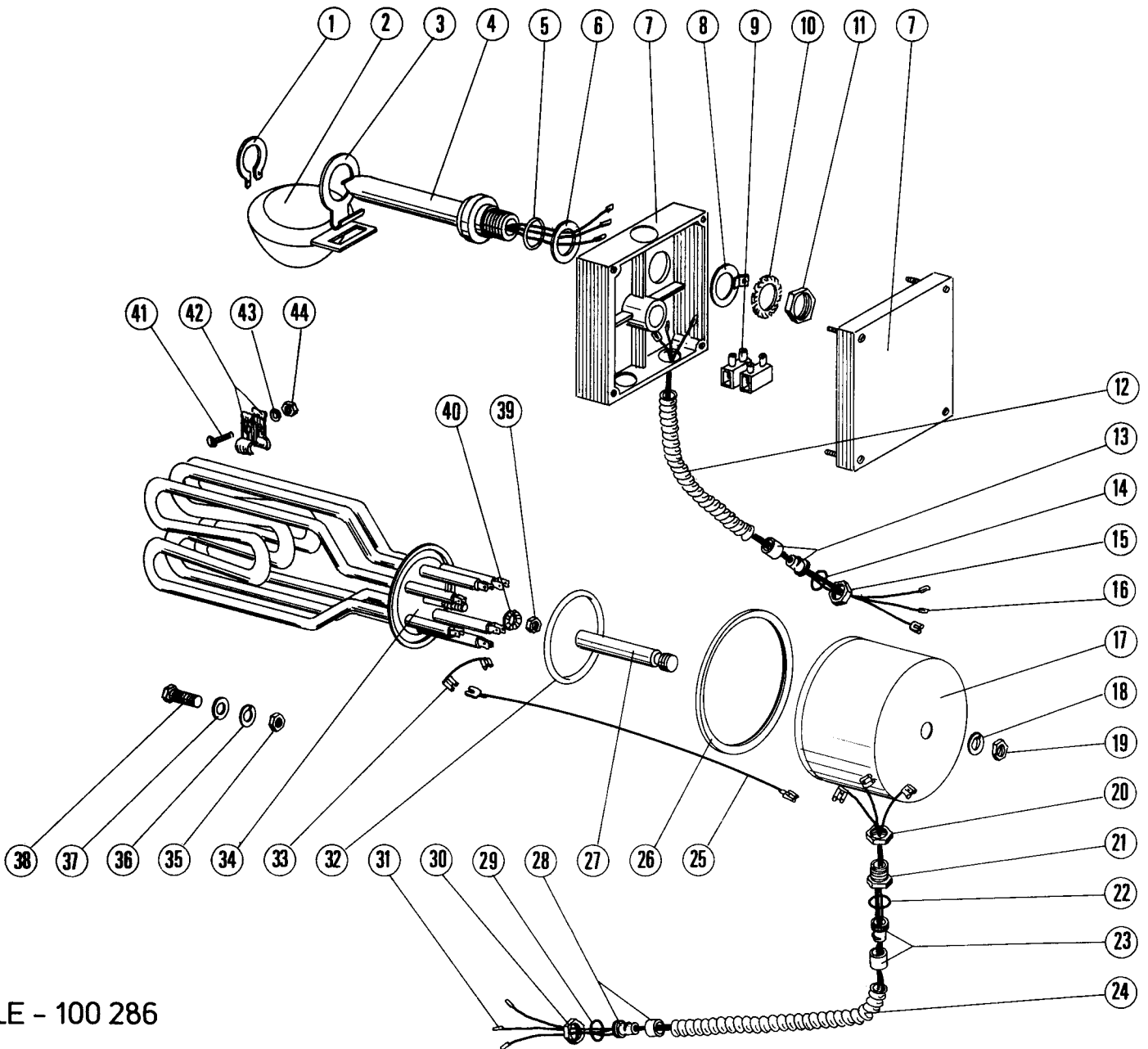
AM-12EC
AM-12EC
AM-12EF

Key No	Part No	Description	Qty
1	226994-2	Hose	1
2	166513	Hose Clamp	2
3	226906	Fresh Water Inlet Assy	1
4	Reducing Bush	1
5	226992	Pressure Gauge	1
6	Pipe Clamp	2
7	WAM-E-8-15	Washer M4	4
8	LWM-E-2-2	Lockwasher M4	4
9	NUM-E-2-6	Nut M4	4
10	226989	Plug (eliminate when using portioning dispenser)	1



Electric Tank Heating and Reedswitch

AM-12E
AM-12EC
AM-12EF



PLE - 100 286



Electric Tank Heating and Reedswitch

AM-12EC
AM-12EC
AM-12EF

Key No	Part No	Description	Qty
1	RR-E-2-34	Retaining Ring 18 x 1,2	1
2	122674	Float with Magnet	1
3	112467	Retainer Float	1
4	226282	Reed Switch	1
5	67500-72	O-Ring	1
6	WAM-E-8-46	Washer M17	1
7	168715-E	Switch Housing	1
8	227078	Earth Washer	1
9	168981-1	Connecting Terminal	2
10	602316	Lockwasher M14	1
11	602476	Nut R1/4"	1
12	226507-8	Flexible Conduit	1
13	226508-3	Bushing	1
14	226932-3	O-Ring	1
15	169045-9	Nut	1
16	227017	Cable Assy	1
17	227077	Box-Electric Heating, Assy	1
18	LWM-E-3-1	Lockwasher M6	1
19	NUM-E-3-2	Nut M6	1
20	169045-3	Nut	1
21	169048-4	Reduction Bushing	1
22	226932-1	O-Ring	1
23	226508-2	Bushing	1
24	226507-1	Flexible Conduit	1



Electric Tank Heating and Reedswitch

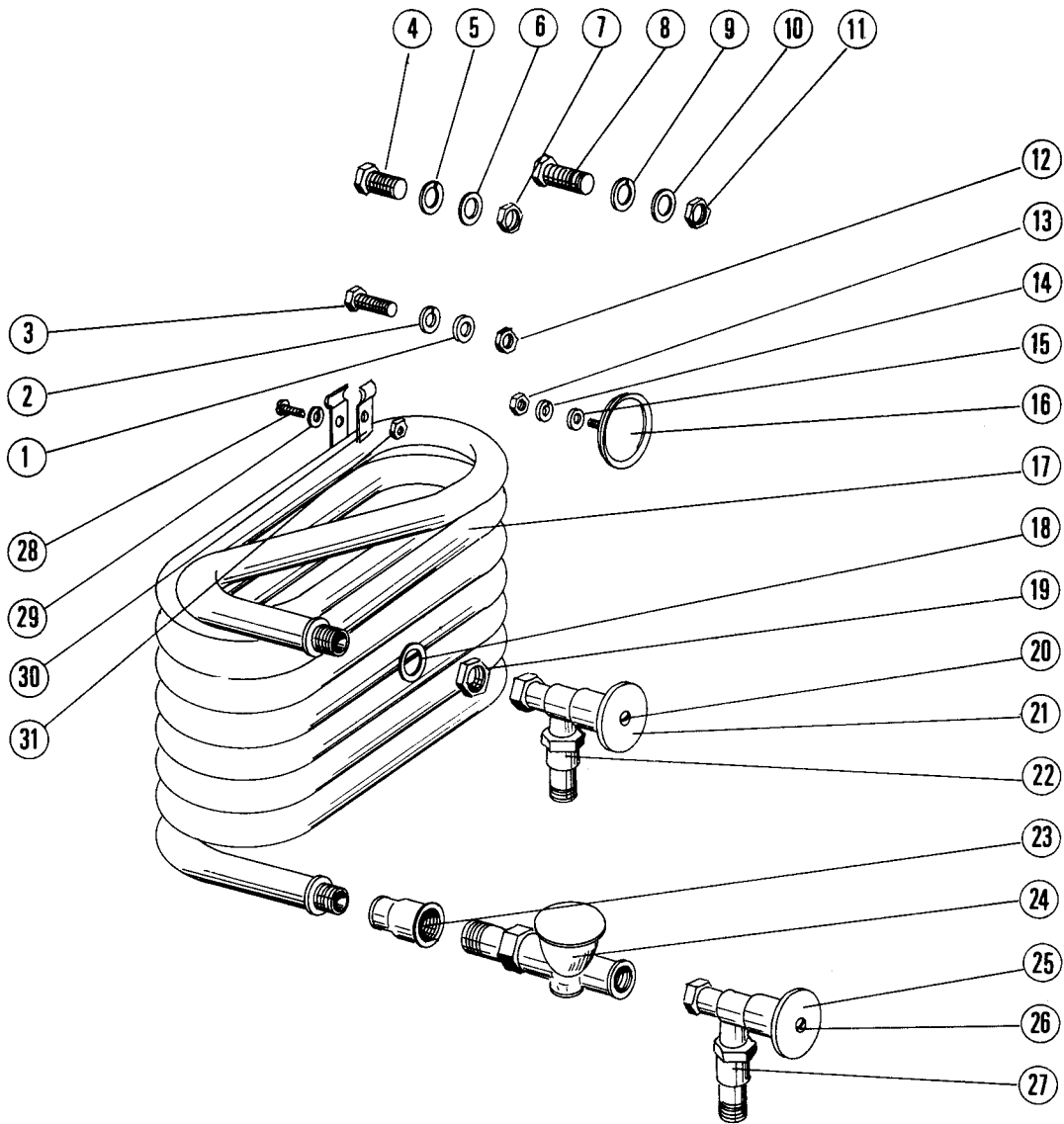
AM-12EC
AM-12EC
AM-12EF

Key No	Part No	Description	Qty
25	227073-13	Earth Wire	1
26	166505	Gasket	1
27	226929	Connecting Stud	1
28	226508-2	Bushing	1
29	226932-1	O-Ring	1
30	169045-1	Nut	1
31	226919	Cable Assy	1
32	226988	O-Ring	1
33	227073-11	Bridge	2/3or 4
34	226807-1	Immersion Heater (380/220V)	1
	226807-2	Immersion Heater (415/240V)	1
35	NUM-E-4-46	Nut M16	2
36	LWM-E-4-30	Lockwasher M16	2
37	WAM-E-8-46	Washer M16	2
38	SCM-E-17-10	Screw M16 x 20	2
39	NUM-E-2-30	Nut M5	1
40	Lockwasher M5	1
41	SCM-E-10-8	Screw M3 x 12	2
42	38778	Clamp	4
43	LWM-E-1-2	Lockwasher M3	2
44	NUM-E-1-1	Nut M3	2



Steam & Hotwater Tank Heating

AM-12E
AM-12EC
AM-12EF



PLE-100 287



Steam & Hotwater Tank Heating

AM-12EC
AM-12EC
AM-12EF

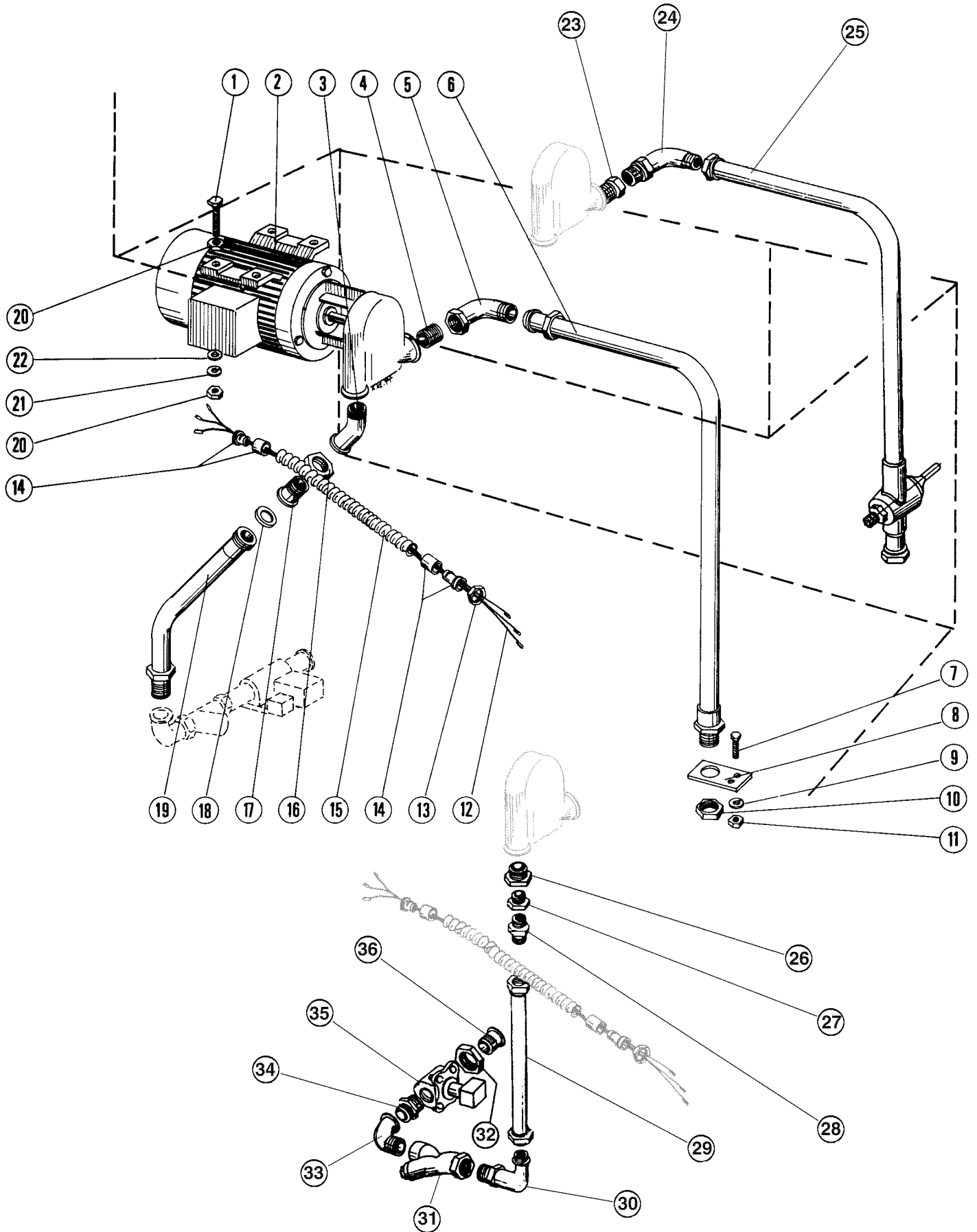
Key No	Part No	Description	Qty
1	WAM-E-8-45	Washer M12	1
2	??-?-?-??	Lockwasher M12 (DIN 127-1. 4310)	1
3	??-?-?-??	Screw M12 x 16 (DIN 933-A-2)	1
4	SCM-E-17-10	Screw M16 x 20	1
5	LWM-E-4-30	Lockwasher M16	1
6	??-?-?-??	Washer M16 (DIN 125-A2)	1
7	NUM-E-4-46	Nut M16	1
8	??-?-?-??	Screw M14 x 20 (DIN 933-A2)	1
9	LWM-E-4-24	Lockwasher M14	1
10	??-?-?-??	Washer M14 (DIN 125-A2)	1
11	??-?-?-??	Nut M14 (DIN 934-A2)	1
12	NUM-E-4-26	Nut M12	1
13	NUM-E-2-30	Nut M5	1
14	LWM-E-2-28	Lockwasher M5	1
15	WAM-E-8-20	Washer M5	1
16	226804	Socket	1
17	226912	Steam Coil Assy	1
18	300084-2	Gasket	2
19	PF-E-8-27	Locknut 3/8" B.S.P	2
20	226167-1	Screw	1
21	226166-1	Handwheel	1
22	226926-1	Hand Valve (Incl.items 20&21)	1
23	????????	Reducing Socket (for Steam Only)	1
24	168704	Steam Trap (for Steam Only)	1



Steam & Hotwater Tank Heating

AM-12EC
AM-12EC
AM-12EF

Key No	Part No	Description	Qty
25	226166-1	Handwheel	1
26	226167-1	Screw	1
27	226926-1	Hand Valve (Incl.items 25 & 26) Note: for Hotwater Only	1
28	???-?-?-??	Screw M6 x 10 (DIN 85-A2)	2
29	LWM-E-3-1	Lockwasher M6	2
30	227444	Clip	2
31	NUM-E-3-2	Nut M6	2





Rinse Pump

AM-12EC
AM-12EC
AM-12EF

Key No	Part No	Description	Qty
1	SCM-E-13-39	Screw M6 x 25	4
2	137118-2	Rinse Pump - 415/50/3	1
	137118-3	Rinse Pump 240/50/1	1
		NOTE: the rinse pump has changed from the original(T65) and requires a mounting bracket.	
	SU-E-31-14	Mounting Bracket (not shown on drawing)	1
	140261-8	Mechanical Seal (set) not shown on drawing.	1
	137269-6	Circlip	1
	138470	Rinse Pump Kit 415/50/3 (not shown on drawing)	1
	138471	Rinse Pump Kit 240/50/1 (not shown on drawing)	1
	BB-E-2-35	motor bearings 15mm (not shown on drawing)	2
	137269-1	Impellor (not shown on drawing)	1
	137269-9	Gasket Impellor (not shown on drawing)	1
3	???-?-?-??	Elbow 3/4" M & F x 45°	1
4	165809-1	Nipple	1
5	???-?-?-??	Union Bush (4096 3/4")	1
6	227118	Fresh Water Inlet - rinse pump	1
7	SCM-E-12-6	Screw M5 x 12	2
8	227119	Bracket	1
9	LWM-E-2-28	Lockwasher M5	2
10	PFM-E-2-30	Nut 3/4" B.S.P	1
11	NUM-E-2-30	Nut M5	2
12	226925	Cable Assy - rinse pump	1
13	169045-1	Locknut	2
14	226508-2	Bushing	2
15	226507-5	Flexible Conduit	1
16	???-?-?-??	Nut (4374 / 1")	1



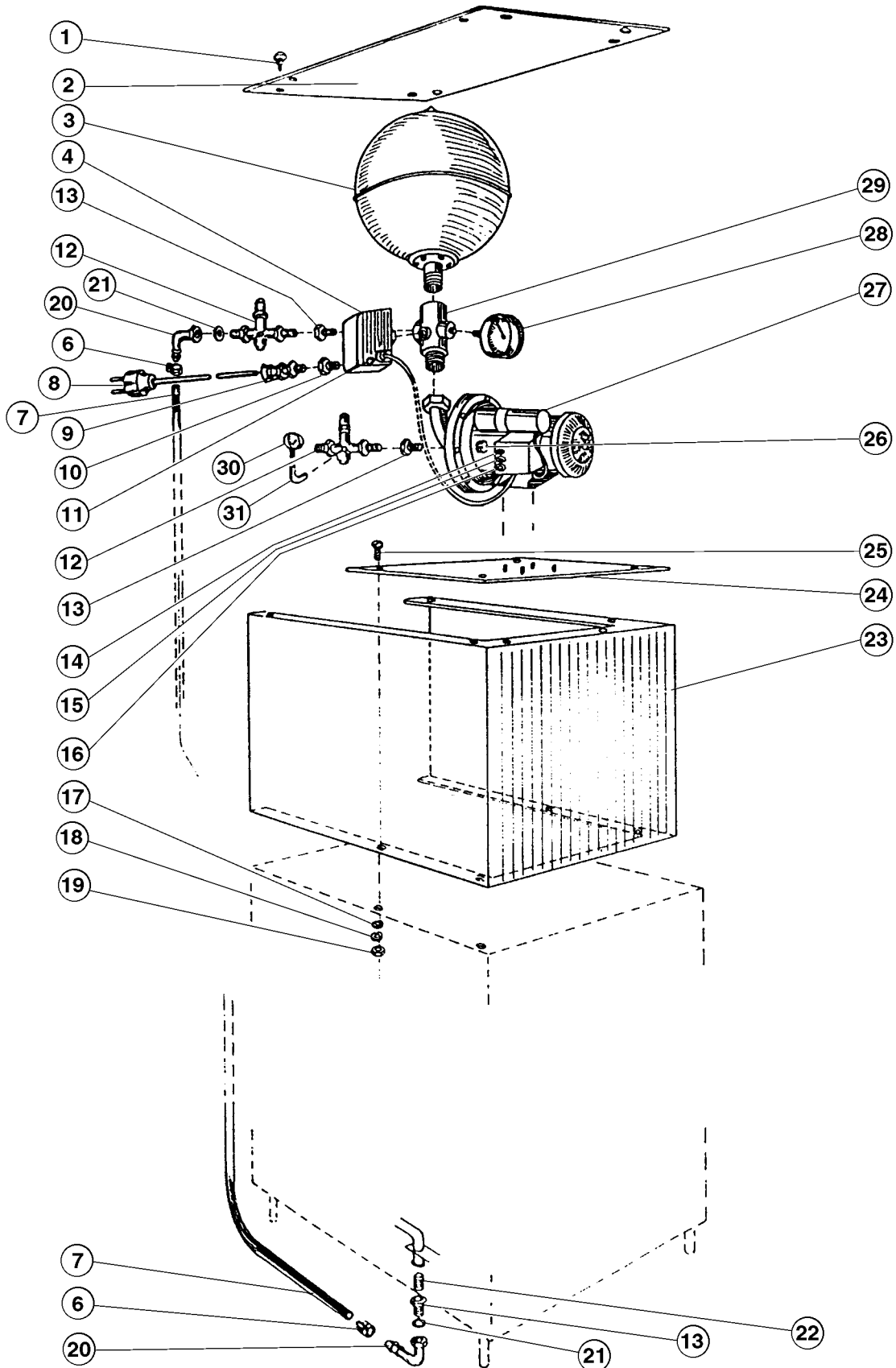
Rinse Pump

AM-12EC
AM-12EC
AM-12EF

Key No	Part No	Description	Qty
17	??-?-?-??	Union End (4371g / 314")	1
18	300084-1	Gasket	1
19	226923	Connecting Pipework Assy	1
20	NUM-E-3-2	Nut M6	8
21	LWM-E-3-1	Lockwasher M6	4
22	WAM-E-8-28	Washer M6	4
23	PF-E-8-23	Reducing Bush 1" x 3/4" B.S.P	1
24	PFM-E-10-30	Bent Coupling 3/4" x 22mm B.S.P	1
25	137323	Plugcock Pipe Assy	1
26	PF-E-8-23	Reducing Bush 1" x 3/4" B.S.P	1
27	PF-E-8-22	Reducing Bush 1" x 1/2" B.S.P	1
28	PFM-E-9-6	Stright Coupling 1/2" x 15mm B.S.P	1
29	59761-32	Tube 15mm x 210mm	1
30	PFM-E-9-5	Bent Coupling 1/2" x 15mm B.S.P	1
31	PF-E-2-6	Line Strainer 1/2" B.S.P	1
32	PFM-E-21-36	Union Nut	1
33	PF-E-8-10	Elbow male - female 1/2" B.S.P	1
34	PF-E-8-1	Nipple 1/2" B.S.P	1
35	59486-1	Solenoid Valve 240 - 415/50/3	1
	59486-8	Solenoid Valve 220 - 380/60/3	1
36	PFM-E-21-29	Union G 1/2" - R 3/4"	1

**Rinse Booster Pump
(not used in the U.K)**

**AM-12E
AM-12EC
AM-12EF**





Rinse Booster Pump (not used in the U.K)

AM-12EC
AM-12EC
AM-12EF

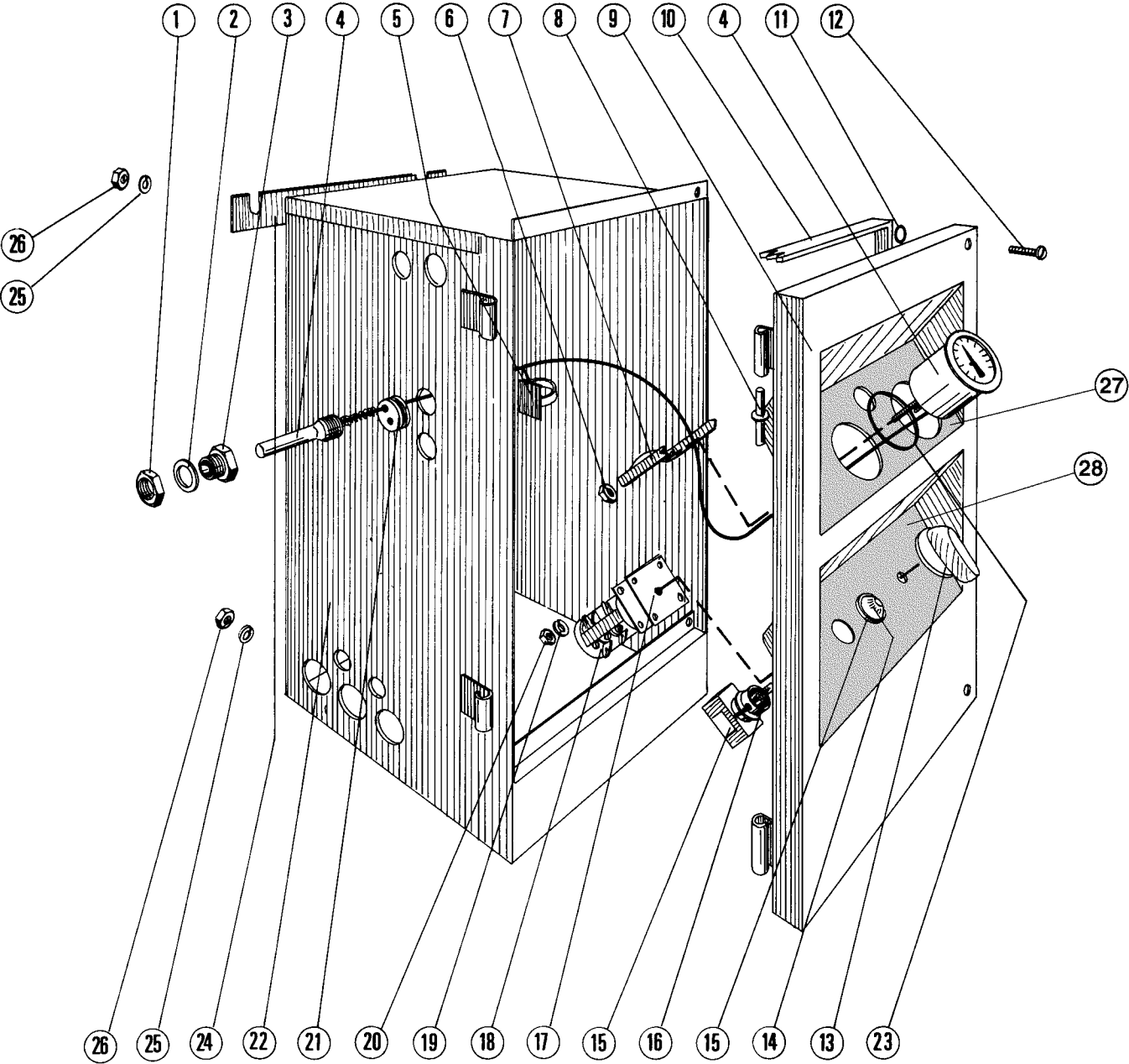
Key No	Part No	Description	Qty
1	SD-17-29	Screw	6
2	173701	Cover	1
3	173742	Pressure Reservoir	1
4	173746	Manometric Switch	1
5	173744	5 Way Valve	1
6	166513-1	Clamp Hose	2
7	226994-8	Hose	1
8	167105	Power Supply Cable	1
9	168046-1	Strainer Relief	1
10	169048-4	Reducing Socket	1
11	169045-3	Back Nut	1
12	168656	Pressure Reducing Valve	2
13	???-?-?-??	Union Bush	3
14	NUM-E-3-27	Nut M8	4
15	LWM-E-3-27	Lockwasher M8	4
16	WAM-E-8-34	Washer M8	4
17	WAM-E-8-28	Washer M6	4
18	LWM-E-3-1	Lockwasher	4
19	NUM-E-3-2	Nut M6	4
20	170472	Elbow	2
21	300084-1	Gasket	1
22	???-?-?-??	Double Nipple 3/4"	1
23	173700	Panel	1
24	173698	Mounting Plate Assy	1



Rinse Booster Pump (not used in the U.K)

AM-12EC
AM-12EC
AM-12EF

Key No	Part No	Description	Qty
25	NF-E-27-128	Screw M6 x 16	4
26	173745	Seal Shaft (for service only)	1
27	173702-1	Rinse Booster Pump	1
28	173743	Pressure Gauge	1
29	168637	Pressure Gauge Assy	1
30	??-?-??	Angle 3092 1/4"	1
	173741-1	Rinse Booster Pump Assy (Incl,items 3,4 26-29)	1





Control Box with Door

AM-12EC
AM-12EC
AM-12EF

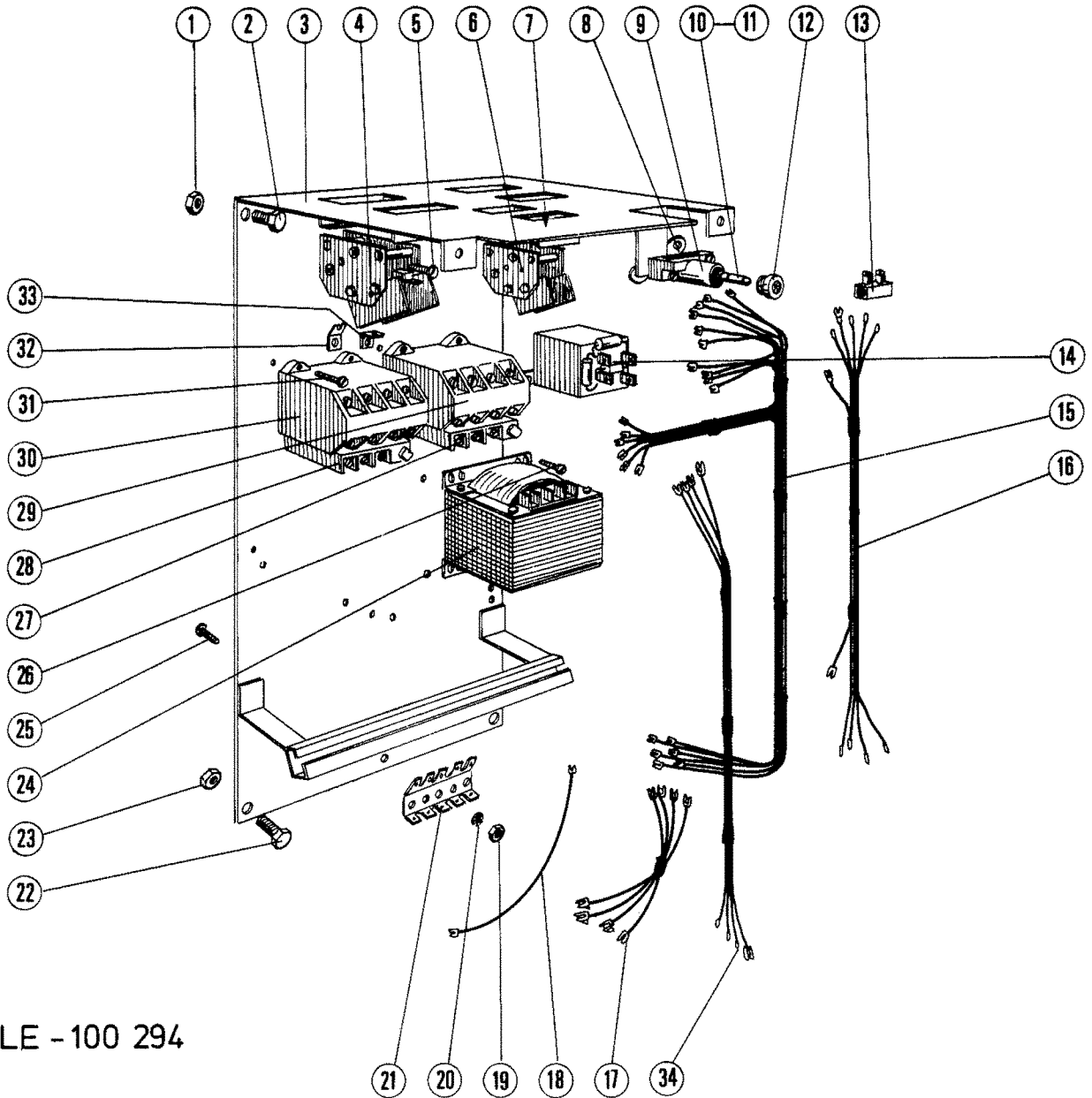
Key No	Part No	Description	Qty
1	PF-E-18-48	Nut	1
2	300084-2	Gasket	1
3	226928	Connection	1
4	166673	Thermometer	2
		NOTE: Alternative "Push In" probe	
	302203	Thermometer	
	228721	Protective Covering	
	PF-E-8-27	Back Nut	
	300084-2	Gasket	
5	EPM-E-12-45	Cable Tie	3
6	NUM-E-2-6	Nut M4	4
7	169615	Support	2
8	168802	Hinge Pin	2
9	226529	Door Assy	1
10	169137	Gasket Band	1
11	226247-1	Gasket	2
12	SCM-E-12-14	Screw M5 x 20	2
13	226656	Knob	1
14	228499-5	Pilot Lens (CLEAR)	2
	228499-1	Pilot Lens (GREEN)	
15	146957	Pilot Light Base	2
16	168233-1	Bulb	2
17	227013	Gasket	1
18	226657	Rotary Switch (Comes With Knob)	1
19	LWM-E-2-28	Lockwasher M5	2
20	NUM-E-2-30	Nut M5	2



Control Box with Door

AM-12EC
AM-12EC
AM-12EF

Key No	Part No	Description	Qty
21	226927	Grommet	1
22	226520	Control Box Assy	1
23	276903-1	O-Ring	2
24	227027	Spacer	
25	LWM-E-3-1	Lockwasher M6	4
26	NUM-E-3-2	Nut M6	4
27	172676	Lable - Control Box Lid	1
28	172675	Lable - Control Box Lid	1



PLE -100 294



Control Box

AM-12EC
AM-12EC
AM-12EF

Key No	Part No	Description	Qty
1	NUM-E-3-2	Nut M6	2
2	SCM-E-13-40	Screw M6 x 25	2
3	226531	Mounting Plate Assy	1
4	226621-1	Timer 60sec,	1
5	??-?-?-??	Screw (DIN 7981)	3
6	226621-2	Timer 80sec,	1
7	226621-3	Timer 120sec,	1
8	226971	Counter Mounting Plate	2
9	EP-E-10-7	Fuse Holder (c/w Cover / Cap)	2
10	226660-1	Fuse 1A - 250V	2
11	EP-E-10-10	Fuse 2A	2
12	226661	Cover / Cap (not compatible with EP-E-10-7)	2
13	168981	Connecting Terminal (only with transformer)	1
14	227031	Condenser	1
15	226658	Cable Assy	1
16	227043	Cable Assy (only with transformer)	1
17	227074	Cable Assy (only with rinse pump)	1
18	227073	Cable	1
19	NUM-E-2-6	Nut M4	2
20	LWM-E-2-3	Shakeproof Washer M4	3
21	226970	Spade Terminal	1
22	SCM-E-13-24	Screw M6 x 16	2
23	NUM-E-3-2	Nut M6	2
24	167231-1	Transformer	1

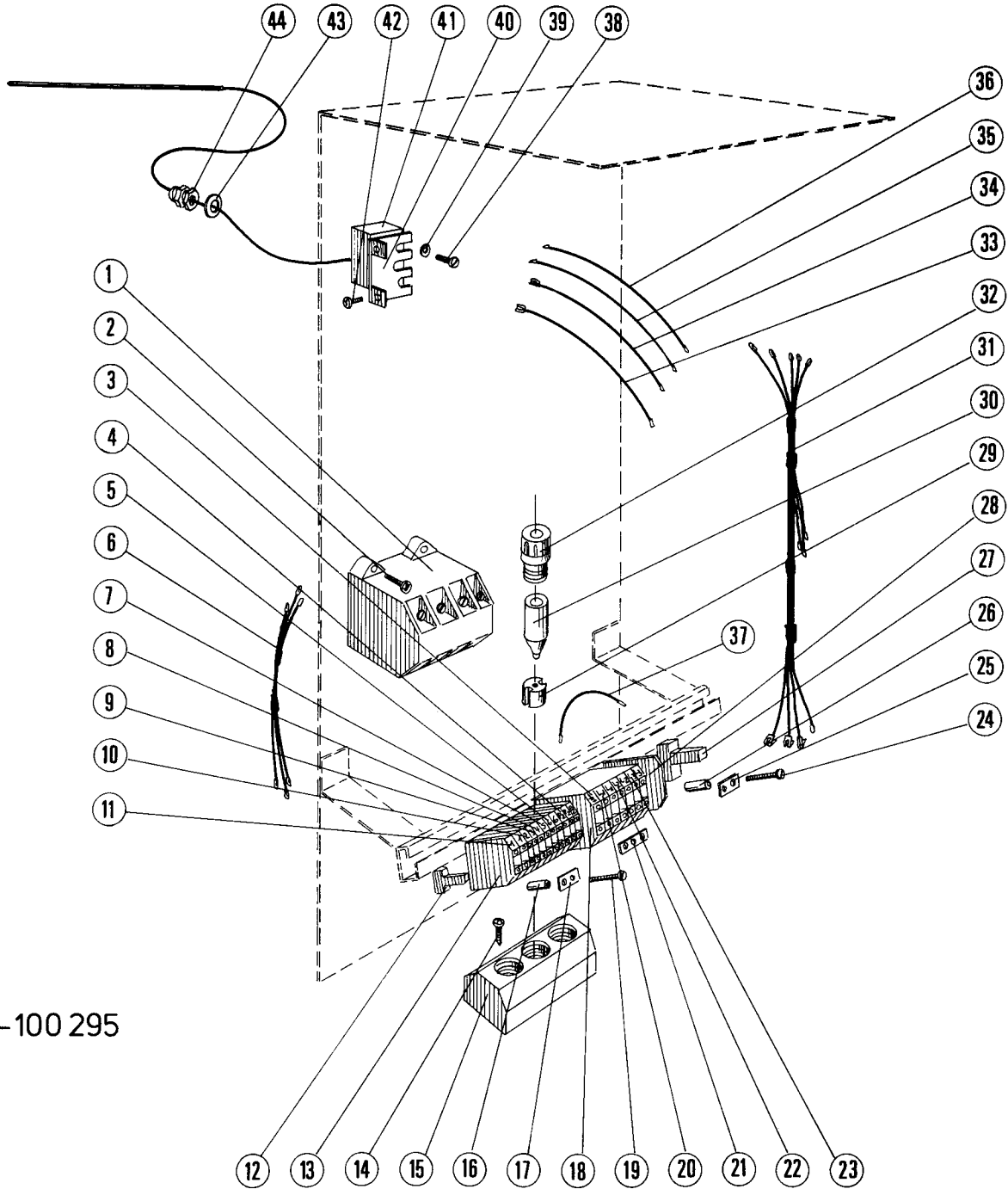


Control Box

AM-12EC
AM-12EC
AM-12EF

Key No	Part No	Description	Qty
25	SCM-E-3-8	Screw M4 x 12	1
26	???-?-?-??	Screw (DIN7981)	4
27	139272-7	Overload	1
28	139272-8	Overload	1
29	139270-1	Contactator	1
30	139270-1	Contactator	1
31	???-?-?-??	Screw (DIN 7981)	4
32	227071-1	Faston Adaptor	3
33	227071-2	Faston Adaptor	1
34	227032	Cable Assy	1

**Booster 9kW 380-415/50/3 Booster - Steam
& Hotwater Tankheating 220-415/50/3**



PLE -100 295



Electrical Parts Booster 9kW Booster - Steam & Hotwater Tank

AM-12EC
AM-12EC
AM-12EF

Key No	Part No	Description	Qty
1	139270-1	Contactora	1
2	SD-E-2-30	Screw	2
3	168163-8	Lable	1
4	168163-14	Lable	3
5	166959-6	Lable	2
6	227045	Cable Assy	1
7	166959-5	Lable	1
8	166959-4	Lable	1
9	166959-3	Lable	1
10	166959-2	Lable	1
11	166959-1	Lable	2
12	168282-1	End Stop	1
13	166456-2	Terminal	11
14	??-?-?-??	Screw No 8 x 16 (DIN 7981)	2
15	136200-2	Triple Pole Fuse Base Shroud	1
16	168166-2	Conduit	7
17	168164-12	Connecting Link	2
18	166456-3	Terminal	7
19	168165-2	Screw	7
20	168163-11	Lable	2
21	168164-10	Connecting Link	1
22	168163-12	Lable	2
23	168163-13	Lable	2



Electrical Parts Booster 9kW Booster - Steam & Hotwater Tank

AM-12EC
AM-12EC
AM-12EF

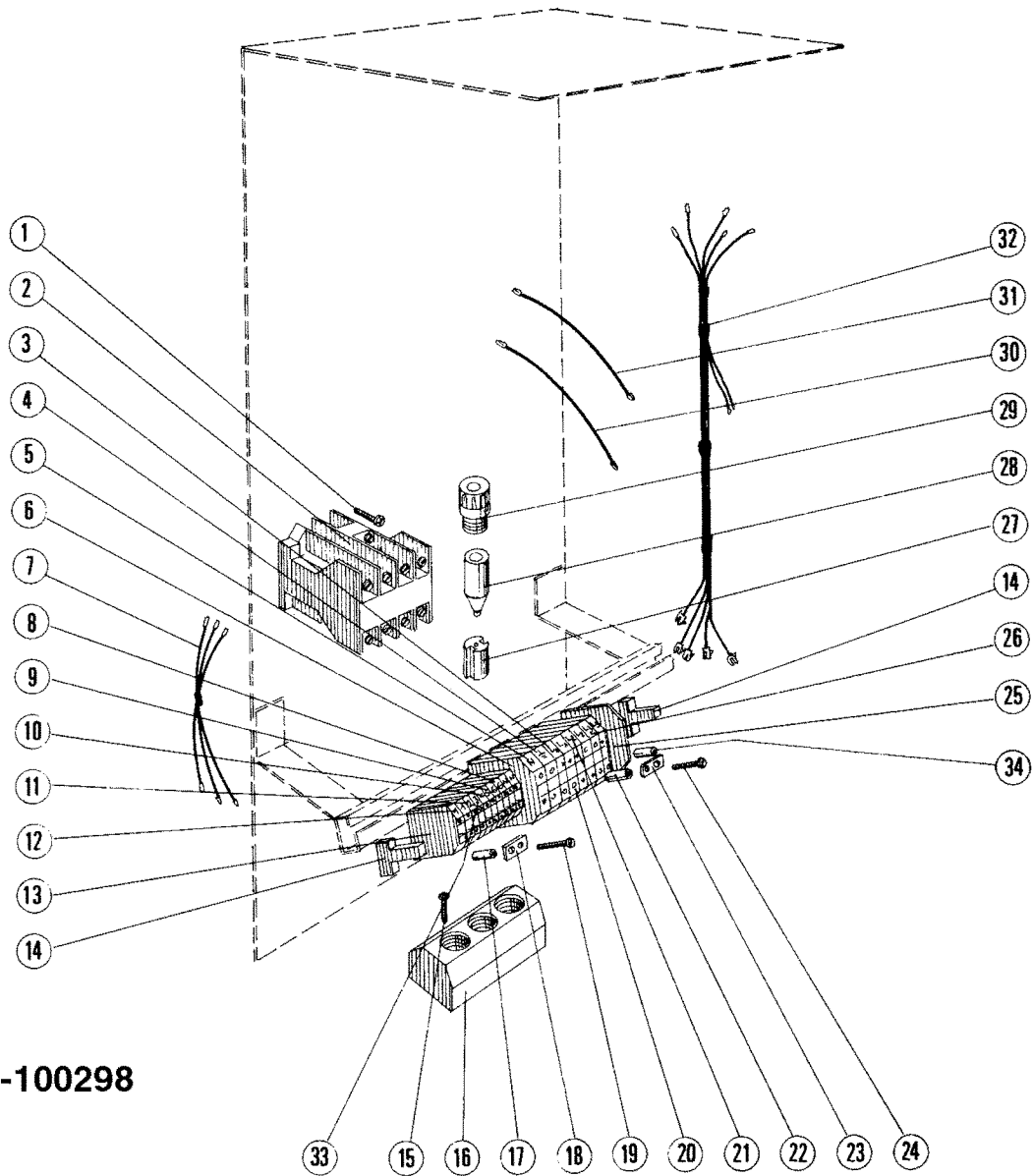
Key No	Part No	Description	Qty
24	168165-3	Screw (Alt No. EP-E-10-48)	6
25	168164-13	Connecting Link	3
26	168154-3	Conduit	6
27	168282-1	End Stop	1
28	168154-3	End Section	1
29	169049-3	Gauge Screw	3
30	136203-3	Fuse Cartridge 6A Green	3
31	227046	Cable Assy	1
32	136204-1	Fuse Screw Cap	3
33	227073-9	Cable	1
34	227073-10	Cable	1
35	227073-3	Cable (for elec, tankheating only)	1
36	227073-2	Cable (for elec, tankheating only)	1
37	227073-14	Cable (for booster steam & hotwater only)	1
38	SCM-E-11-8	Washer M4	2
39	WAM-E-8-14	Washer M4	2
40	227020	Bracket	1
41	226505	Thermostat	1
42	???-?-?-??	Screw No 8 x 9,5 (DIN 7981)	2
43	300084-3	Gasket / Washer	1
44	227024	Universal Stuffing Box	1



Electrical Parts

AM-12E
AM-12EC
AM-12EF

Booster 12 - 18kW 380-415/50/3N



PLE-100298

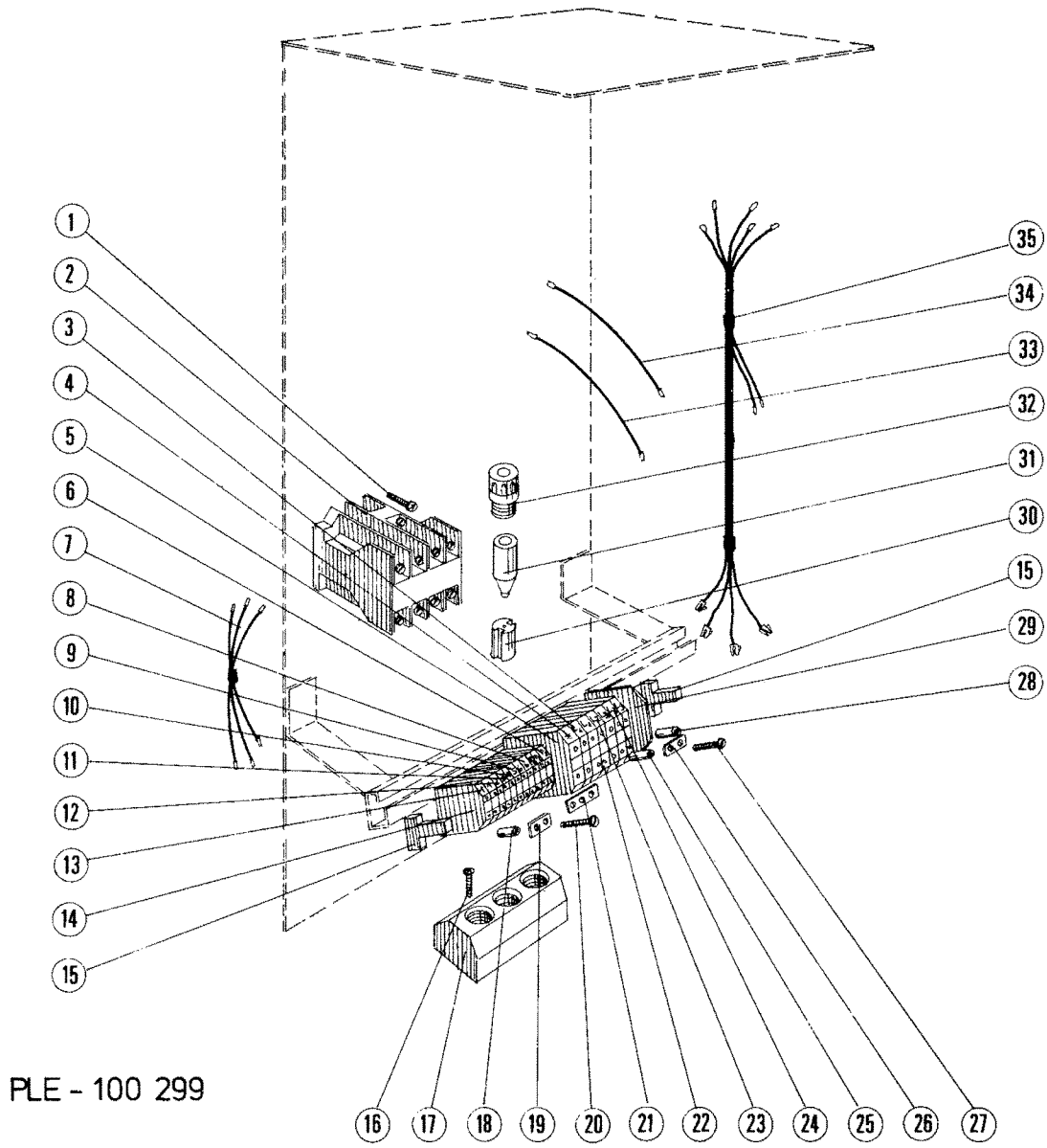


Electrical Parts Booster 12 - 18kW

AM-12EC
AM-12EC
AM-12EF

Key No	Part No	Description	Qty
24	168165	Screw (Alt No EP-E-10-48)	9
25	168154-3	End Section	1
26	168163-13	Label	2
27	169049-4	Gauge Screw	3
28	136203-4	Fuse Cartidge 10A RED	3
29	136204-1	Fuse Cap Screw	3
30	227073-3	Cable Assy	1
31	227073-2	Cable Assy	1
32	227046	Cable Assy	1
33	166959-3	Label	1
34	168166-3	Conduit	3

**Booster 9kW 220-240V/50/3
18kW 380-415V/50/3**





Electrical Parts
Booster 9kW 220-240V/50/3
18kW 380-415V/50/3

AM-12EC
AM-12EC
AM-12EF

Key No	Part No	Description	Qty
1	SD-E-2-30	Screw	2
2	227014-1	Contactor 220V	1
	227014-2	Contactor 240V	1
3	168163-11	Label	2
4	168163-8	Label	1
5	166456-5	Terminal	4
6	168163-14	Label	3
7	227044	Cable Assy	1
8	166959-6	Label	2
9	166959-5	Label	1
10	166959-4	Label	1
11	166959-3	Label	1
12	166959-2	Label	1
13	166959-1	Label	2
14	166456-2	Terminal	11
15	168282-1	End Stop	2
16	??-?-?-??	Screw No 8 x 16 (DIN 7981)	2
17	136200-2	Triple Pole Fuse Base Shroud	1
18	168166-2	Conduit	7
19	168164-12	Connecting Link	2
20	168165-2	Screw	7
21	168164-10	Connecting Link	1
22	166456-3	Terminal	3
23	168163-12	Label	2

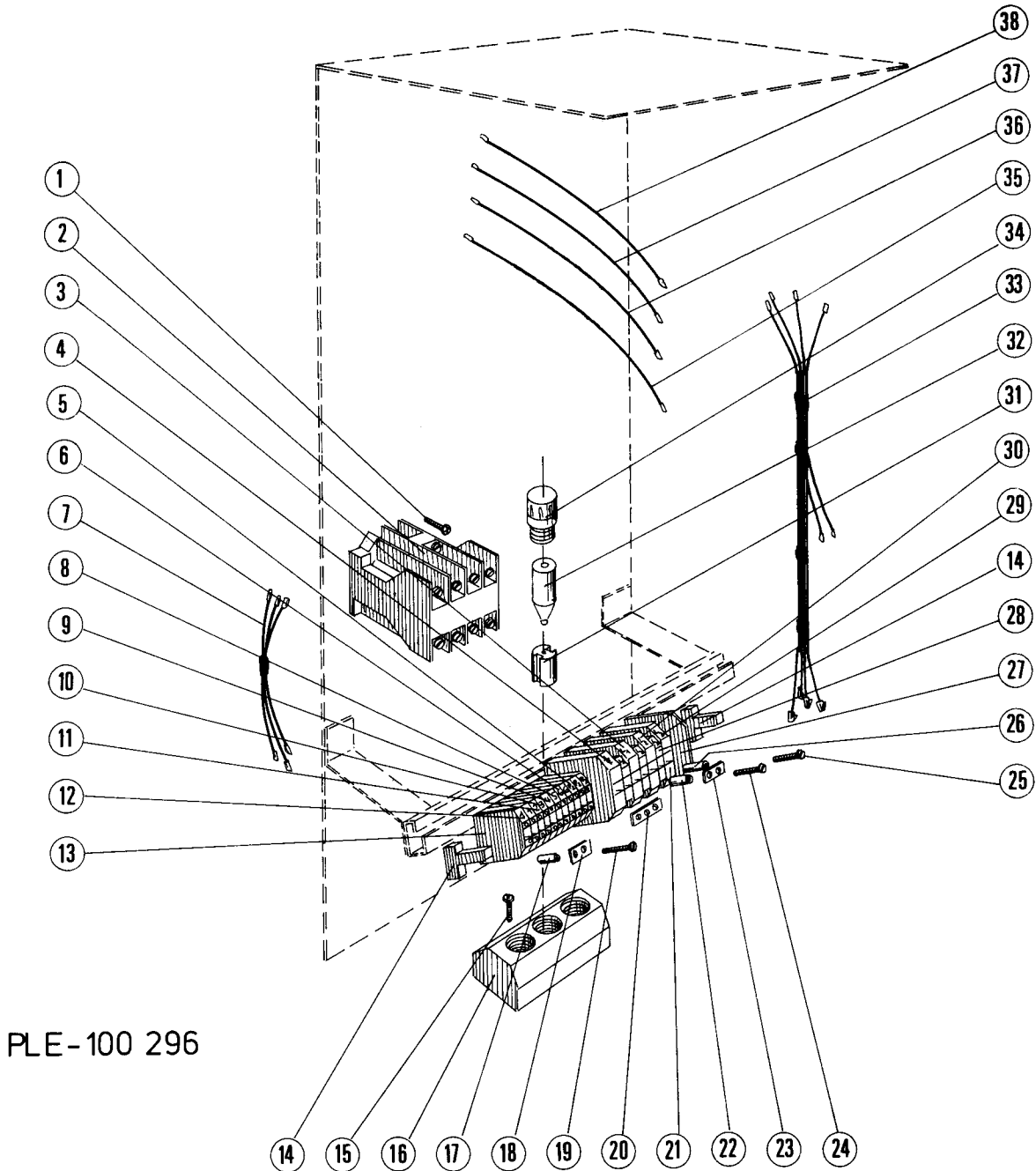


Electrical Parts
Booster 9kW 220-240V/50/3
18kW 380-415V/50/3

AM-12EC
AM-12EC
AM-12EF

Key No	Part No	Description	Qty
24	168163-13	Label	2
25	168166-8	Conduit	3
26	168164-14	Connecting Link	3
27	168165-3	Screw (Alt No EP-E-10-48)	6
28	168166-3	Conduit	3
29	168154-3	End Stop	1
30	169049-3	Gauge Screw 380-415V/50/3	3
	169049-4	Gauge Screw 220-240V/50/3	3
31	136203-3	Fuse Cartridge 380-415V/50/3 6A GREEN	3
	136203-4	Fuse Cartridge 220-240V/50/3 10A RED	3
32	136204-1	Fuse Cap Screw	3
33	227073-3	Cable Assy	1
34	227073-2	Cable Assy	1
35	227046	Cable Assy	1

Booster 12-18kW Tankheating 220-240V/50/3



PLE-100 296



**Electrical Parts
Booster 12-18kW
Tankheating 220-240V/50/3**

**AM-12EC
AM-12EC
AM-12EF**

Key No	Part No	Description	Qty
1	SD-E-2-30	Screw	4
2	227014-1	Contactor 220V	2
	227014-2	Contactor 240V	2
3	168163-11	Label	2
4	168163-8	Label	1
5	168163-14	Label	3
6	166959-6	Label	2
7	227044	Cable Assy	2
8	166959-5	Label	1
9	166959-4	Label	1
10	166959-3	Label	1
11	166959-2	Label	1
12	166959-1	Label	2
13	166456-2	Terminal	11
14	168282-1	End Stop	2
15	??-?-?-??	Screw No 8 x 16 (DIN 7981)	2
16	136200-2	Triple Pole Fuse Base Shroud	1
17	168166-2	Conduit	7
18	168164-12	Connecting Link	2
19	168165-2	Screw	7
20	168164-10	Connecting Link	1
21	166456-7	Terminal	4
22	168166-7	Conduit	3
23	168164-11	Connecting Link	3

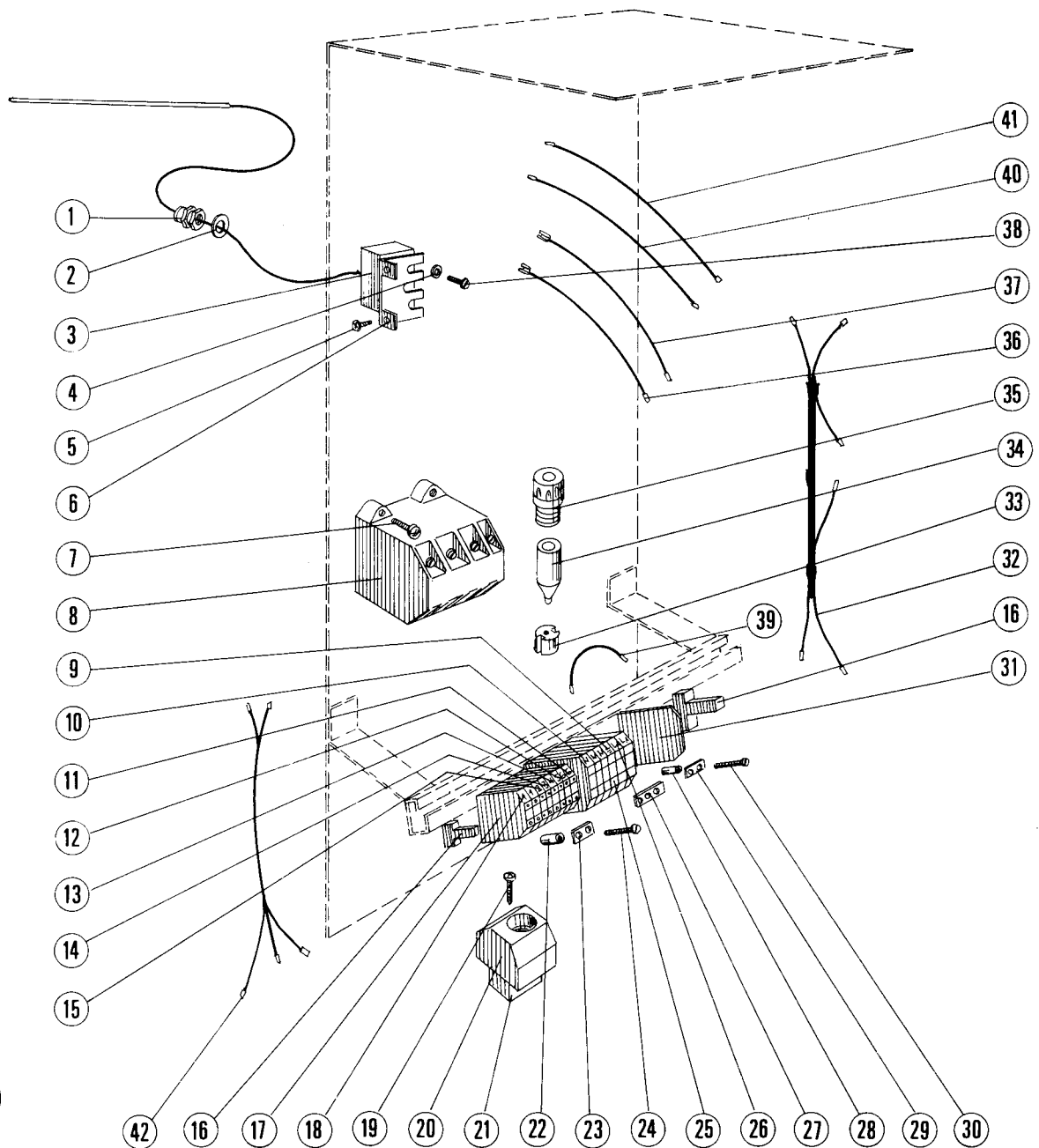


**Electrical Parts
Booster 12-18kW
Tankheating 220-240V/50/3**

**AM-12EC
AM-12EC
AM-12EF**

Key No	Part No	Description	Qty
24	168165-6	Screw	3
25	168165-3	Screw	3
26	168166-4	Conduit	3
27	168154-4	End Section	1
28	166456-3	Terminal	3
29	168163-13	Label	2
30	168163-12	Label	2
31	169049-4	Gauge Screw	3
32	136203-4	Fuse Cartridge 10A RED	3
33	227046	Cable Assy	1
34	1362041	Fuse Screw Cap	3
35	227073-3	Cable	1
36	227073-2	Cable	1
37	227073-12	Cable	1
38	227073-1	Cable	1

Booster Steam & Hotwater Tankheating 220-240V/50/1



PLE-100300



Electrical Parts Booster Steam & Hotwater Tankheating 220-240V/50/1

AM-12EC
AM-12EC
AM-12EF

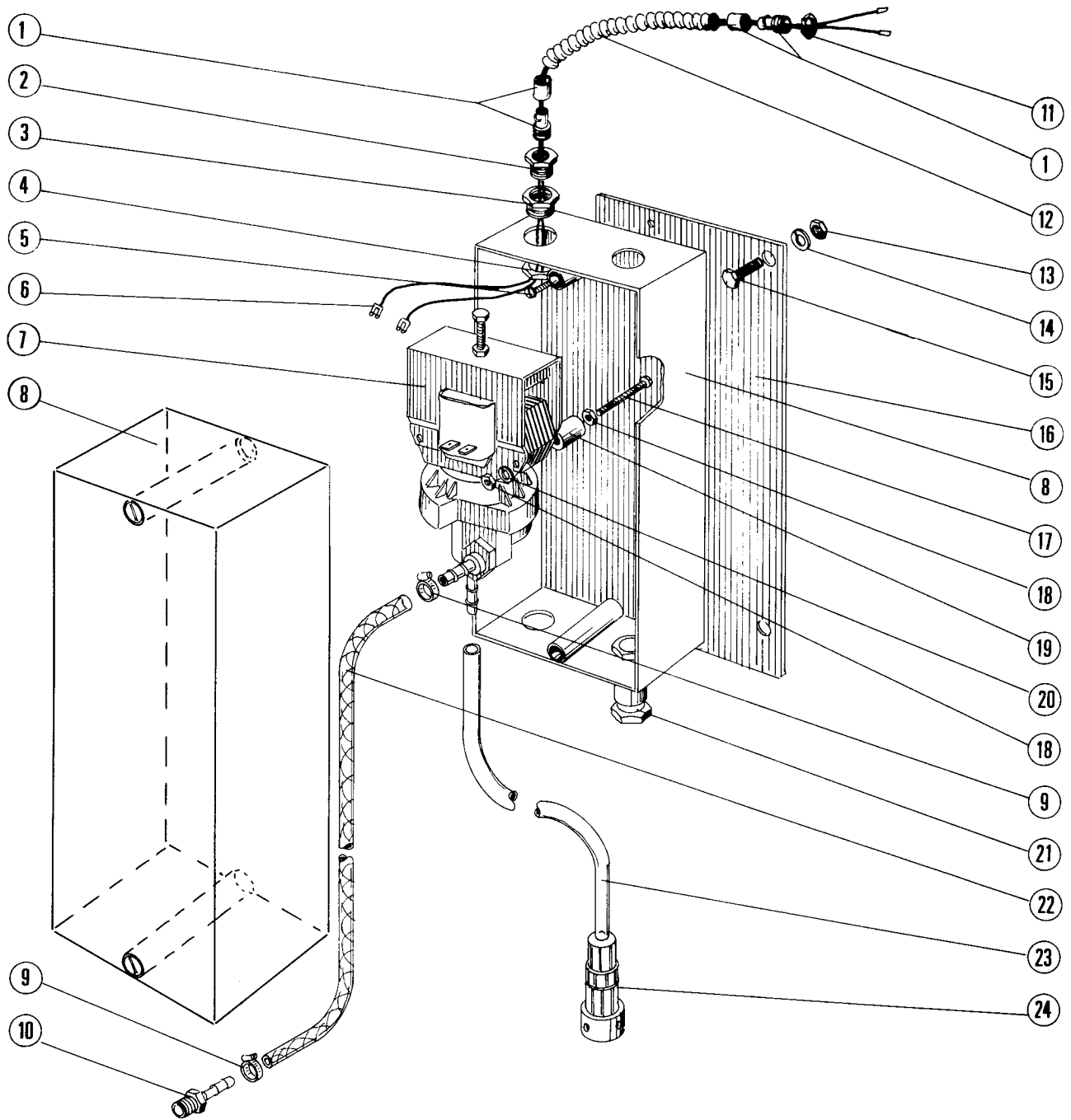
Key No	Part No	Description	Qty
1	227024	Universal Stuffing Box	1
2	300084-3	Washer / Gasket	1
3	226505	Thermostat	1
4	WAM-E-8-14	Washer M4	2
5	???-?-?-??	Screw No 8 x 9.5 (DIN 7981)	2
6	227020	Bracket	1
7	SD-E-2-30	Screw	2
8	139270-1	Contactor (for elec, tankheating only)	1
9	168163-8	Label	1
10	168163-2	Label	3
11	166959-6	Label	2
12	166959-5	Label	1
13	166959-4	Label	1
14	166959-3	Label	1
15	166959-2	Label	1
16	168282-1	End Stop	2
17	166456-2	Terminal	8
18	166959-1	Label	2
19	???-?-?-??	Screw No 8 x 16 (DIN 7981)	2
20	136199	Shroud	1
21	136198	Single Pole Fuse Base	1
22	168166-2	Conduit	4
23	168164-12	Connecting Link	2



Electrical Parts Booster Steam & Hotwater Tankheating 220-240V/50/1

AM-12EC
AM-12EC
AM-12EF

Key No	Part No	Description	Qty
24	168165-2	Screw	4
25	166456-3	Terminal	6
26	168163-11	Label	2
27	168164-9	Connecting Link	1
28	168166-3	Conduit	5
29	168164-13	Connecting Link	1
30	168165-3	Screw (Alt No EP-E-10-48)	5
31	168154-3	End Section	1
32	227182	Cable Assy	1
33	169049-5	Gauge Screw	1
34	136203-5	Fuse Cartridge 16A GREY	1
35	136204-1	Fuse Screw Cap	1
36	227073-9	Cable	1
37	227073-10	Cable	1
38	SCM-E-11-8	Screw M4 x 10	2
39	227073-14	Cable (for booster steam & hotater only)	1
40	227073-3	Cable (for elec, tankheating only)	1
41	227073-2	Cable (for elec, tankheating only)	1
42	227045	Cable Assy (for elec, tankheating only)	1



PLE - 100 301

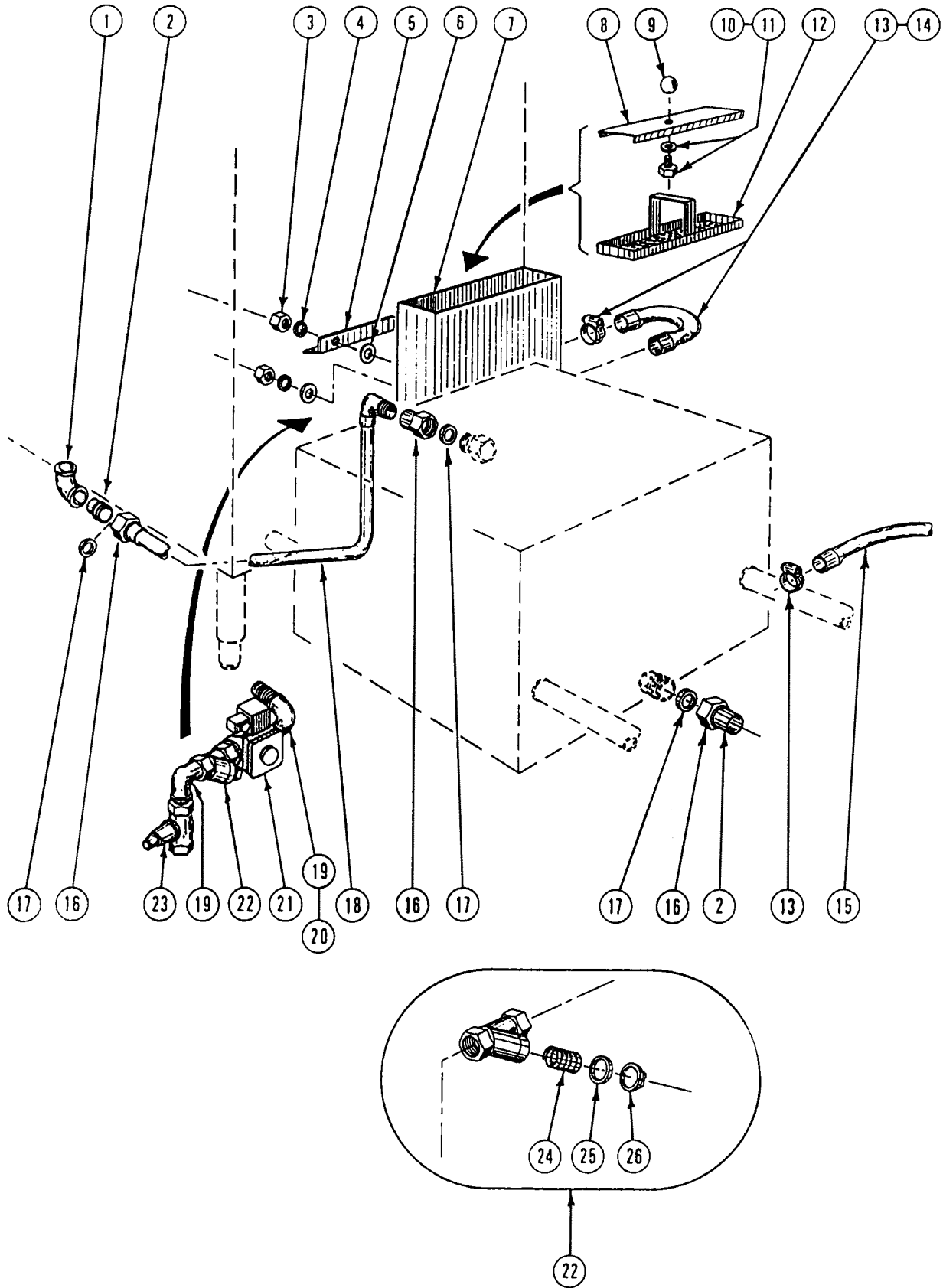


Rinse Agent Dispenser

AM-12EC
AM-12EC
AM-12EF

Key No	Part No	Description	Qty
1	226508-3	Bushing	2
2	169048-2	Reducing Ring	1
3	169048-4	Reducing Ring	1
4	169045-3	Metal Lock Nut	1
5	SCM-E-11-14	Screw M4 x 16	2
6	227073-15	Cable Assy	2
7	167543-1	Dispenser	1
8	167219-3	Control Box with Cover	1
9	166513-2	Hose Clamp	2
10	227249-1	Connection Piece	1
11	169045-9	Metal Lock Nut	1
12	226507-8	Flexible Conduit	1
13	NUM-E-3-2	Nut M6	2
14	LWM-E-3-1	Lockwasher M6	2
15	SCM-E-13-24	Screw M6 x 16	2
16	227248	Support	1
17	??-?-?-??	Screw M4 x 50 (DIN 84-A2)	2
18	NUM-E-2-6	Nut M4	4
19	168243-2	Spacer	2
20	LWM-E-2-2	Lockwasher	2
21	167047-3	Bushing	2
22	169624-3	Accord Hose	1
23	165168-1	Hose	1
24	227441-1 227247-1	Retaining Valve Dispenser & Box Assy (Incl.items 1-9,12, 17-23)	1 1

NB: Recovery Unit inside machine for Little Chef only.





Heat Recovery Unit Additional Fittings

AM-12ER

Key No	Part No	Description	Qty
1	PF-E-8-12	Elbow 3/4"	1
2	PFM-E-21-29	Straight Coupling	2
3	NUM-E-3-2	Nut M6	4
4	LWM-E-3-1	Lockwasher M6	4
5	228528	Angle bracket	1
6	228160-1	Gasket	2
7	228491	Receptacle	1
8	228396	Cover	1
9	59847	Knob	1
10	LWM-E-4-1	Lockwasher	1
11	SCM-E-8-40	Screw M10 x 16	1
12	228399	Strainer	1
13	166513-1	Hose Clamp	2
14	228527-1	Rubber Hose	1
15	227927	Drain Hose	1
16	PFM-E-21-36	Nut	3
17	300084-1	Gasket	3
18	228534-1	Connection Pipe (less rinse pump & gas booster)	1
	228534-2	Connection Pipe (only with gas booster)	1
	228534-3	Connection Pipe (only with rinse pump)	1
19	PF-E-8-10	Elbow 1/2"	2
20	228533-1	Nipple 1/2" B.S.P	1
21	173863	Solenoid Valve 1/2" 220V/50Hz	1
	59486-1	Solenoid Valve 1/2" 240V/50Hz	1
22	168682-1	Line Strainer (Incl.items 24 - 26)	1



Heat Recovery Unit Additional Fittings

AM-12ER

Key No	Part No	Description	Qty
23	226291	Regulator Valve	1
24	??????	Line Strainer (ref key 22)	1
25	??????	Gasket (ref key 22)	1
26	??????	Plug (ref key 22)	1

Items Not Shown On Drawing

228532-1	Filling Pipework 220V/50Hz (when ordered)	1
228532-2	Filling Pipework 240V/50Hz (when ordered)	1
173660	Support Assy	1
227170-1	Bar Assy	2
228526	Drain Heat Recovery Unit	
228524	Coil Assy	
22519-SO-3	Internal Scrapper Lid	
22519-SO-1	Internal Scrapper Box	
228532-2	Fill Pipe Outside	
296560	Fill Outlet Inside (swan neck)	
22519-SO-12	Cover Plate / Blanking Plate	
297942	90° Pipe	



As continued product improvement is a policy of HOBART, specifications are subject to change without notice.

PB-01-2002