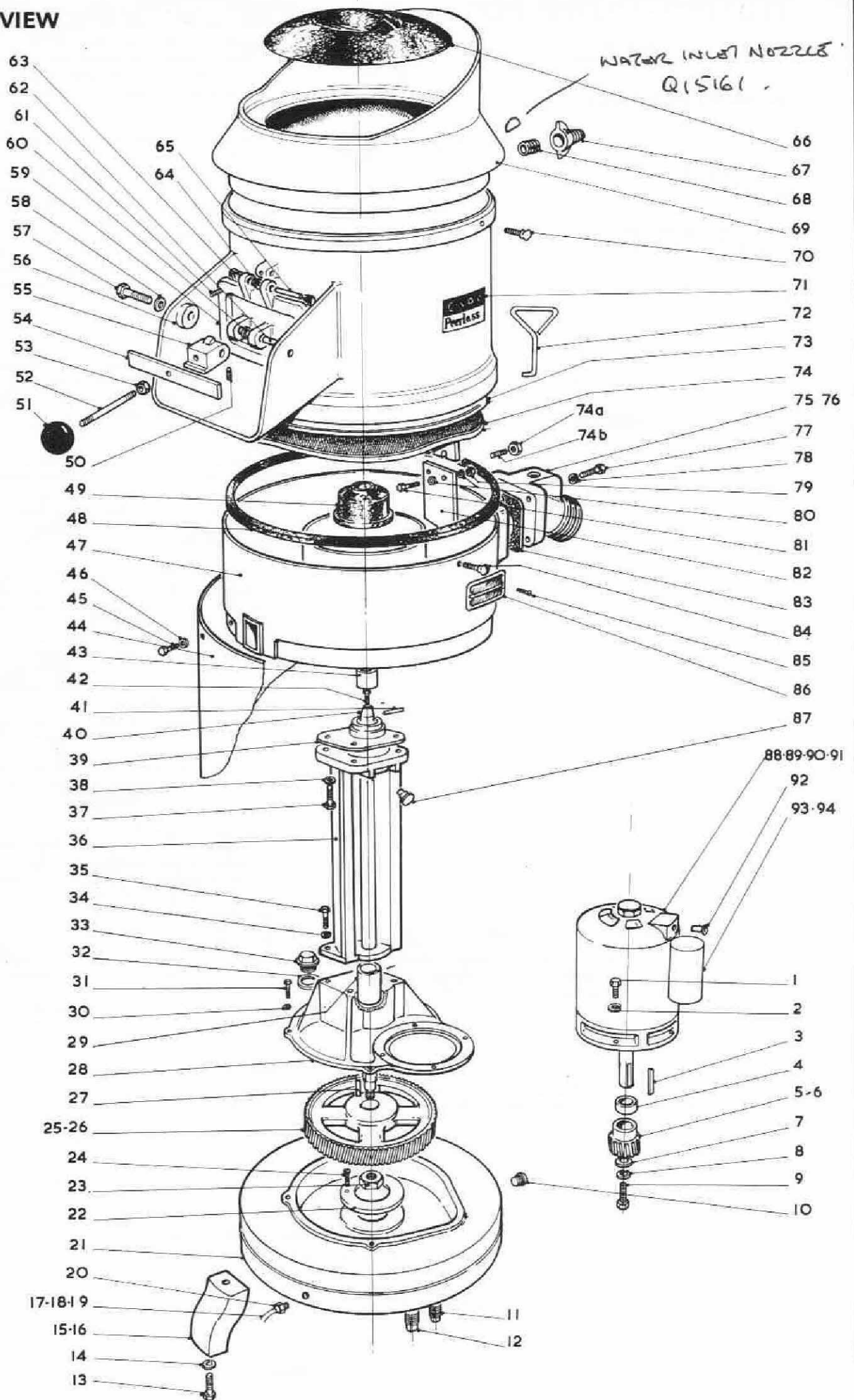


EXPLODED VIEW

C 28 F POTATO PEELER



Q19716 STEEL PINION
 Q19717 PLASTIC GEAR WHEEL
 Q19875 3" WASTE PIPE
 Q14120 PLATE CENTRE BUSH.

DOOR GASKETS FOR CAST IRON CHAMBERS.
 ONE PIECE DOOR TYPE Q15808.
 TWO PICES " " Q16678.

PARTS LIST
C 28 F
POTATO
PEELER

ILLUS. No.	STYLE No.	DESCRIPTION	QTY.	ILLUS. No.	STYLE No.	DESCRIPTION	QTY.
	Q16757	Drum Assy. complete, comprising parts marked A, B & C	1	A 56	Q14115C	Stop for Door Lever	2
	Q18051	Door Lever Assy. comprising parts marked B	1	A 57	Q10D	3/8" B.S.F. x 3/8" long Hex. Head Screw	2
	Q16756	Door Assy. comprising parts marked C	1	A 58	8603C	3/8" Plain Washer	2
1	Q21	5/16" B.S.F. x 5/8" long Hex. Head Screw	4	C 59	Q16752A	Door with Abrasive	1
2	Q191	5/16" Lock Washer	4	C 60	Q17926	Hinge Bush for Door Lever	2
3	5738	Key for Motor Shaft	1	A 61	Q17950	1/2" Whit. x 1/2" long Grubscrew	1
4	Q18070	Spacer for Motor Shaft	1	A 62	Q17923	Hinge Pin for Door Lever	1
5	Q18061	Pinion (50 Hz. supply) (Fibre)	1	C 63	Q16753	Door Packing	1
6	Q18062	Pinion (60 Hz. supply)	1	C 64	Q17925	Hinge Bush for Door	2
7	Q18146	1/2" i.d. x 1" o.d. Plain Washer	1	A 65	Q17923	Hinge Pin for Door	1
8	8636	1/2" Lock Washer	1	66	Q13188	Cover for Drum	1
9	Q12248	1/2" B.S.F. x 1/2" long Hex. Head Screw	1	67	Q775A	Cap and Lining for Water Inlet	1
10	Q18943	Plug for Alternative Cable Entry	1	68	Q15902A	Nipple for Water Inlet Q15901A	1
11	Q402	3/8" B.S.P. Oil Drain Plug	1	69	Q16699A	Hopper	1
12	9177	1/2" B.S.P. Oil Level Plug	1	70	Q817B	Thumbscrew - Drum to Hopper	1
13	Q18	1/2" B.S.F. x 1 1/2" long Hex. Head Screw	3	71	Q16758	Self Adhesive Emblem	2
14	8638	1/2" Lock Washer	3	72	Q778	Lifting Hook for Plate	2
15	Q16668	Foot (4 1/2" High)	3	A 73	Q16755A	Drum with Abrasive	1
16	Q16684	Foot (17" High)	3	74	Q16651A	Peeling Plate with Vane, Screws, etc.	1
17	C203	Supply Cable for 110/120 V. 1 Ph.	1	74a		M8 Nut	1
18	C200	Supply Cable for 200/240 V. 1 Ph.	1	74b		M8 x 25 Long Grubscrew	1
19	C207	Supply Cable for 220/440 V. 3 Ph.	1	75	Q16666A	Waste Pipe (Standard) Now Q19876	1
20	Q14127 A	Cable Gland	1	76	Q16683A	Waste Pipe (Screwed)	1
21	Q16660	Gearbox Bottom	1	77	Q2	1/2" B.S.F. x 1/2" long Hex. Head Screw	4
22	Q16282	Thrust Ring	1	78	8601	1/2" Plain Washer	4
23	Q203	Nut for Driving Shaft	1	79	Q94B	3/8" B.S.F. Nut	2
24	Q12012B	1/2" B.S.F. x 3/8" long C'sk. Head Screw	2	80	8602C	3/8" Plain Washer	4
25	Q16672	Gearwheel (50 Hz. supply)	1	81	Q12070A	5/16" B.S.F. x 1/8" long Hex. Head Screw	2
26	Q16674	Gearwheel (60 Hz. supply)	1	82	Q18069	Vane for Peeling Plate Now TYPE Q16677	1
27	Q254	Key for Driving Shaft	1	83	Q16681	Gasket for Waste Pipe	1
28	Q18060	Gearbox Top	1	84	Q18074	Thumbscrew - Casing to Drum	2
29	Q16682	Bearing Bush	1	85	Q17971A	No. 2 B.A. x 3/8" long Mushroom Head Screw	4
30	Q191	5/16" Lock Washer	5	86	Q14472	Nameplate Carrier	2
31	Q12070	5/16" B.S.F. x 3/8" long Hex. Head Screw	5	87	Q17945	Lubricator	1
32	Q12149	Washer for Oil Filler Plug	1			MOTORS	
33	Q12147	3/4" B.S.P. Oil Filler Plug	1	88	Q18063	Motor 200/210 V. 50 Hz. 1 Ph.*	1
34	Q191	5/16" Lock Washer	4	89	Q18064	Motor 220/240 V. 50 Hz. 1 Ph.*	1
35	Q12070	5/16" B.S.F. x 3/8" long Hex. Head Screw	4	90	Q18067	Motor { 110/120 V. 220/240 V. 60 Hz. 1 Ph.* State Voltage	1
36	Q16665	Column	1	91	Q18065	Motor { 220/254 V. 380/440 V. 50/60 Hz. 3 Ph. State Voltage	1
37	Q8	5/16" B.S.F. x 1" long Hex. Head Screw	4				
38	Q191	5/16" Lock Washer	4				
39	Q16680	Gasket - Column to Casing	1				
40	Q16675	Driving Shaft	1		Q18147	Endplate (Non-Driving End)	1
41	Q818	Cross Pin	1		Q18058	Endplate (Driving End)	1
42	Q3	1/2" B.S.F. x 1" long Hex. Head Screw	1		Q12105	Ball Bearing	2
43	Q16682A	Bearing Bush	1	92	Q622A	Insulating Bush	1
44	Q16676A	Enclosure Cover	2		Q18154	Oil Seal	1
45	Q21A	5/16" B.S.F. x 3/8" long Hex. Head Screw	12			PARTS FOR SINGLE PHASE MOTORS ONLY	
46	8602B	3/8" Plain Washer	12	93	Q18072	Condenser for Motors Q18063 and Q18064	1
47	Q16664A	Casing	1	94	Q18073	Condenser for Motor Q18067	1
48	Q16679	Gasket for Drum	1		Q18057	Contact and Terminal Base Assy. for Motors Q18063 and Q18064	1
49	Q18071	Plastic Cowl	1		Q18056	Contact and Terminal Base Assy. for Motor Q18067	1
B 50	Q15203	1/2" Whit. x 1/2" long Grubscrew	1				
B 51	Q17403	Ball Knob <i>S011/01</i>	1		Q18152	Centrifugal Gear complete with Springs	1
B 52	Q17922A	Stem for Door Lever <i>Q19748</i>	1		Q18153	Spring for Centrifugal Gear	2
B 53	Q80D	3/8" B.S.F. Nut	1				
B 54	Q16687	Strip for Door Lever <i>Q19747</i>	1				
B 55	Q17916	Hub for Door Lever	1			PART FOR 3-PHASE MOTORS ONLY	
					Q18151	Terminal Base Assembly	1

* - Motor Complete with Condenser