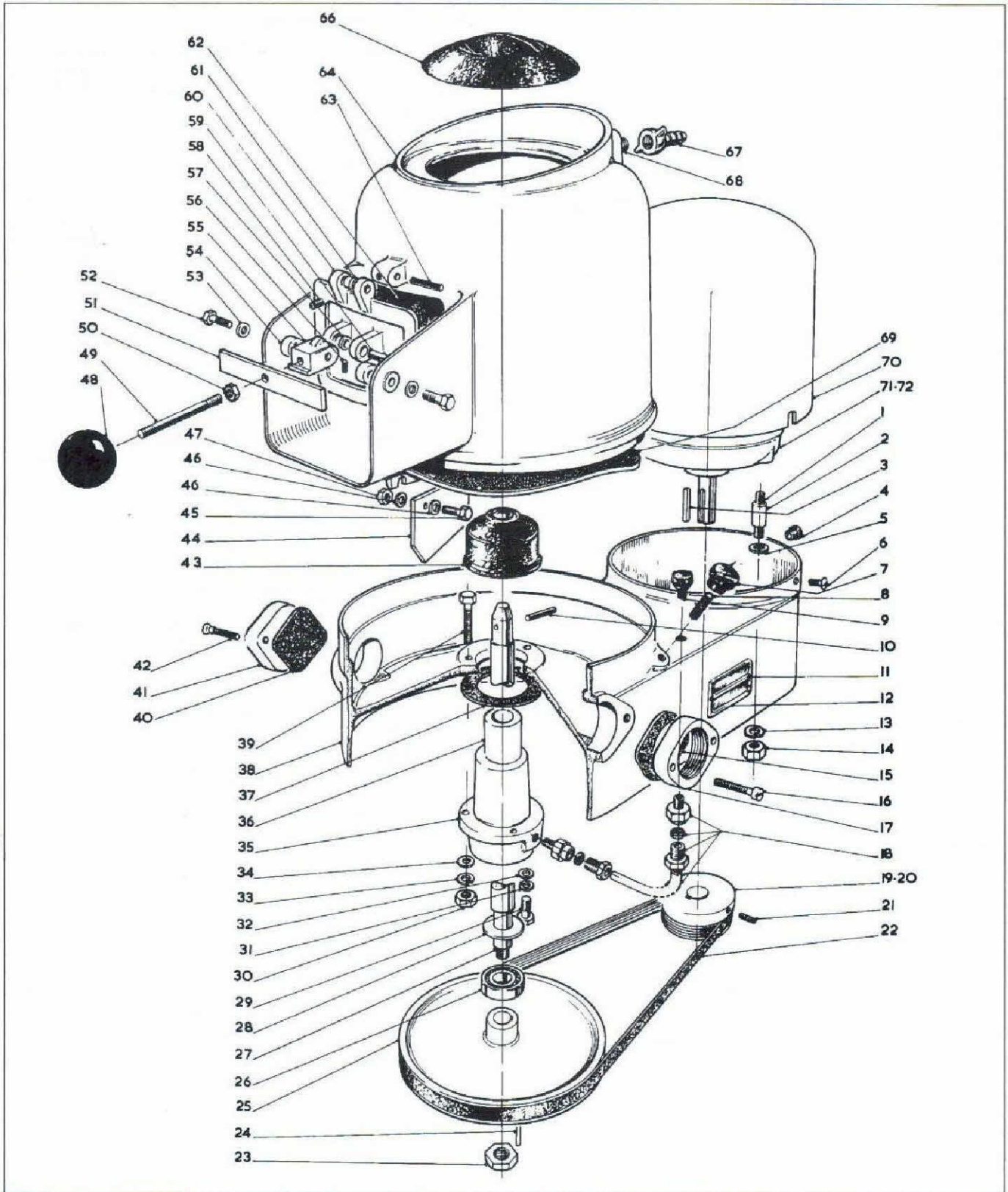


# CC7/CC14 Potato Peelers



*Because of continual improvements strict accuracy of description and illustrations cannot be guaranteed*



## CLEANING

Always disconnect the machine from the electricity supply by removing the plug from the socket before cleaning.

**After Use:** run the machine for a minute or two with the water flowing.

**End of the Day:** After releasing the peeling chamber clamps chamber can be simply lifted off. The peeling plate also simply lifts off to enable the plate and bottom of the peeling chamber to be thoroughly cleaned. When reassembling apply a little grease to the drive shaft.

**TABLE 1 - Reasons for unsatisfactory results**

COMPLAINT	POSSIBLE CAUSE
Inadequate or irregular peeling	Cycle time too short Machine under or overloaded Peeling Plate clogged Inferior vegetables Incorrect water feed
Vegetables in dirty condition	Inadequate water feed Discharge tube blocked
Flats on vegetables	Excessive cycle time Use of vegetables with flats prior to peeling Machine overloaded
Abnormal noise	Stone in peeling drum Peeling Plate incorrectly fitted. Check that the plate is engaging with the drive pin
Incomplete water discharge or overflow from the machine	Kinked outlet pipe Blocked drain Build-up of peeling waste below plate
Motor Stops and will not restart	Motor overload tripped due to excessive load. Remove potatoes, wait a few minutes and then depress the white button on top of the motor housing. Restart in the normal manner with smaller load.

## CARE OF YOUR PEELER

The drive spindle bearings are greased by means of the lubricator (figure 3, item 8), which should be given a turn or two every week. When empty replenish with light bearing grease. Keep the chamber clamps (figure 3, item 9) free by regularly applying a little light oil or grease to the threads. On a regular basis sparingly apply a food safe lubricant to the door/lock hinges (figure 3, item 3).

Regular maintenance is necessary on all machines if they are to remain in good working order. It is strongly recommended that this be carried out by trained technicians authorised by Crypto Peerless.

Electrolux Commercial Service provide after sales service for Crypto Peerless products throughout the UK. They have a range of schemes which offer continuous protection for your investment and aims to keep your equipment operational, and safe, at all times.

The schemes range from simple, inexpensive regular inspection service to a fully comprehensive 'parts and labour' contract.

For details contact your local Electrolux Commercial Service Branch:

<b>Birmingham</b>	0121-766 6565
<b>East Kilbride</b>	013552-29053
<b>London</b>	0181-871 9766
<b>Ireland</b>	01232-342577
<b>Oldham</b>	0161-624 9694

## SPARE PARTS

Spare parts for Crypto Peerless products are supplied by:

Electrolux Commercial Service

Spares Dept, Bordesley Green Road, Birmingham B9 4UA  
telephone: 0121 623 1825 telefax: 0121 623 1819

When ordering spare parts always give a full description of the part required, state the type of machine (i.e. CC7 Peeler) and the part number (refer to parts list below) to avoid unnecessary delays in despatching the parts you require.

Item	Part Number CC7 CC14	Description	Qty	Item	Part Number CC7 CC14	Description	Qty
	Q17901 Q18102	Drive shaft Assy (parts marked A)	1	A35	Q17913 Q18123	Bearing Housing	1
	Q17908 Q18101	Drum Assy (parts marked B, C & D)	1	A36	Q17946 Q18135	Bearing Bush	1
	Q17902 Q18103	Door Lever Assy (parts marked C)	1	37	Q17933 Q17933	Gasket for Bearing Housing	1
	Q17907 Q18105	Door Assy (parts marked D)	1	38	Q17911 Q18121	Base	1
1	Q19331 Q19331	Stud - motor to base	3	39	Q4A Q4A	1/4" B.S.F. x 11/4" long Hex. Head Screw	3
2	Q17978 Q17978	Spacer - motor to base	3	40	Q17935 Q17935	Gasket for Blanking-off Plate	1
3	5738 5738	Key for Motor Shaft	1	41	Q17915 Q17915	Blanking-off Plate	1
4	Q14127A Q14127A	Cable Gland	1	42	Q17949A Q17949A	1/4" Whit. x 3/4" long C'sk Head Screw	2
5	Q18146 Q18146	1/4" i.d. x 1" o.d. Plain Washer	6	43	Q17928 Q17928	Cowl	1
6	Q12296A Q12296A	1/4" Whit. x 1/2" long Round Head Screw	2	44	Q17930 Q18131	Vane for Peeling Plate	1
7	<del>Q17936</del> Q17936	Clamp Knob	2	45	Q2B Q2B	1/4" B.S.F. x 3/4" long Hex. Head Screw	2
8	Q17924A Q17924A	Stud for Clamp Knob	2	46	8601C 8601C	1/4" Plain Washer	4
9	50598/03 50598/03	Lubricator	1	47	Q93F Q93F	1/4" B.S.F. Nut	2
A10	Q15817 Q15817	Cross Pin	1	C48	Q17403 Q17403	Ball Knob	1
11	Q17971A Q17971A	No. 2 B.A. x 3/8" lg Mush Hd Screw	4	C49	Q17922A Q17922A	Stem for Door Lever	1
12	Q14472 Q14472	Nameplate Carrier	2	C50	Q80D Q80D	3/8" B.S.F. Nut	1
13	8636 8636	1/4" Lock Washer	3	C51	Q17927 Q18129	Strip for Door Lever	1
14	Q93F Q93F	1/4" B.S.F. Nut	3	B52	Q10D Q80D	3/8" B.S.F. x 3/4" long Hex. Head Screw	2
15	Q17934 Q17934	Gasket for Waste Pipe Socket	1	B53	8603C 8603C	3/8" Plain Washer	2
16	Q17948A Q17948A	1/4" Whit. x 1" long Cheese Head Screw	2	B54	Q14115C Q14115C	Stop for Door Lever	2
17	Q17914 Q17914	Waste Pipe Socket	1	C55	Q17916 Q17916	Hub for Door Lever	1
18	Q17980 Q18111	Lubrication Tube Assembly	1	C56	Q15203 Q15203	1/4" Whit. x 1/2" long Grubscrew	1
19	Q17918 Q18125	Driving Pulley (50Hz supply)	1	D57	Q17926 D17926	Hinge Bush for Door Lever	2
20	Q17919 Q18126	Driving Pulley (60Hz supply)	1	B58	Q17950 Q17950	1/4" Whit. x 1/4" long Grubscrew	1
21	8251 8251	No. 2 B.A. x 1/4" long Grubscrew	1	B59	Q17923 Q17923	Hinge Pin for Door Lever	1
22	Q17938 Q18133	Poly V Belt (all supplies)	1	D60	Q17912A Q18122A	Door with Abrasive	1
23	Q201 Q201	Shaft Nut for Driven Pulley	1	D61	Q17925 Q17925	Hinge Bush for Door	2
A24	Q250A Q250A	Key for Driven Pulley	1	D62	Q17931 Q18132	Door Packing	1
25	Q17920 Q18127	Driven Pulley (all supplies)	1	B63	Q17923 Q17923	Hinge Pin for Door	1
A26	Q17940 Q17940	Ball Bearing	1	B64	Q17906A Q18104A	Drum with Abrasive	1
A27	Q17921 Q18128	Drive Shaft	1	66	Q17932 Q14143	Cover for Drum	1
A28	Q14550 Q14550	Sealing Shim for Ball Bearing	1	B67	50730/02 50730/02	Hose Adaptor	1
A29	Q17947 Q17947	1/4" Whit. x 1/2" long Hex. Head Screw	2	B68	Q15902A Q15902A	Nipple for Water Inlet	1
30	Q93F Q93F	1/4" B.S.F. Nut	3	69	Q17917A Q18124A	Peeling Plate with Vane, Screws, etc	1
A31	8636 8636	1/4" Lock Washer	2	70	<del>Q17955</del> Q17955	Motor Cover	1
A32	8601 8601	1/4" Plain Washer	2	71	51155/01 51155/01	Motor 240V/50Hz/1Ph	1
33	8636 8636	1/4" Lock Washer	3	73	Q19738 Q19737	Base Cover (not illustrated)	1
34	8601C 8601C	1/4" Plain Washer	3	74	50906/02 50906/02	Foot (not illustrated)	3