

# SPARES DIAGRAMS AND STOCK CODES STANDARD RANGE

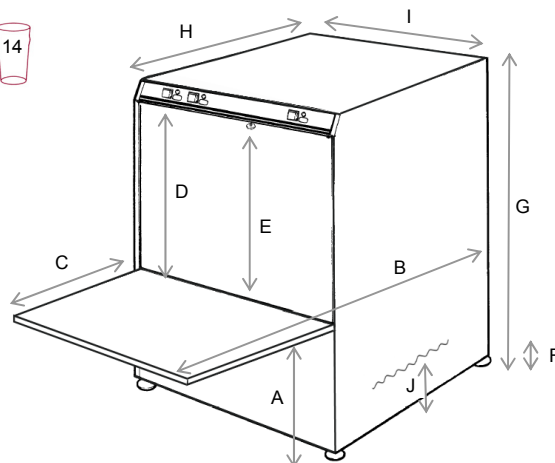
DC SERIES FROM 2007



**DC035**  
**DC035WP**

**020 / 020PS**

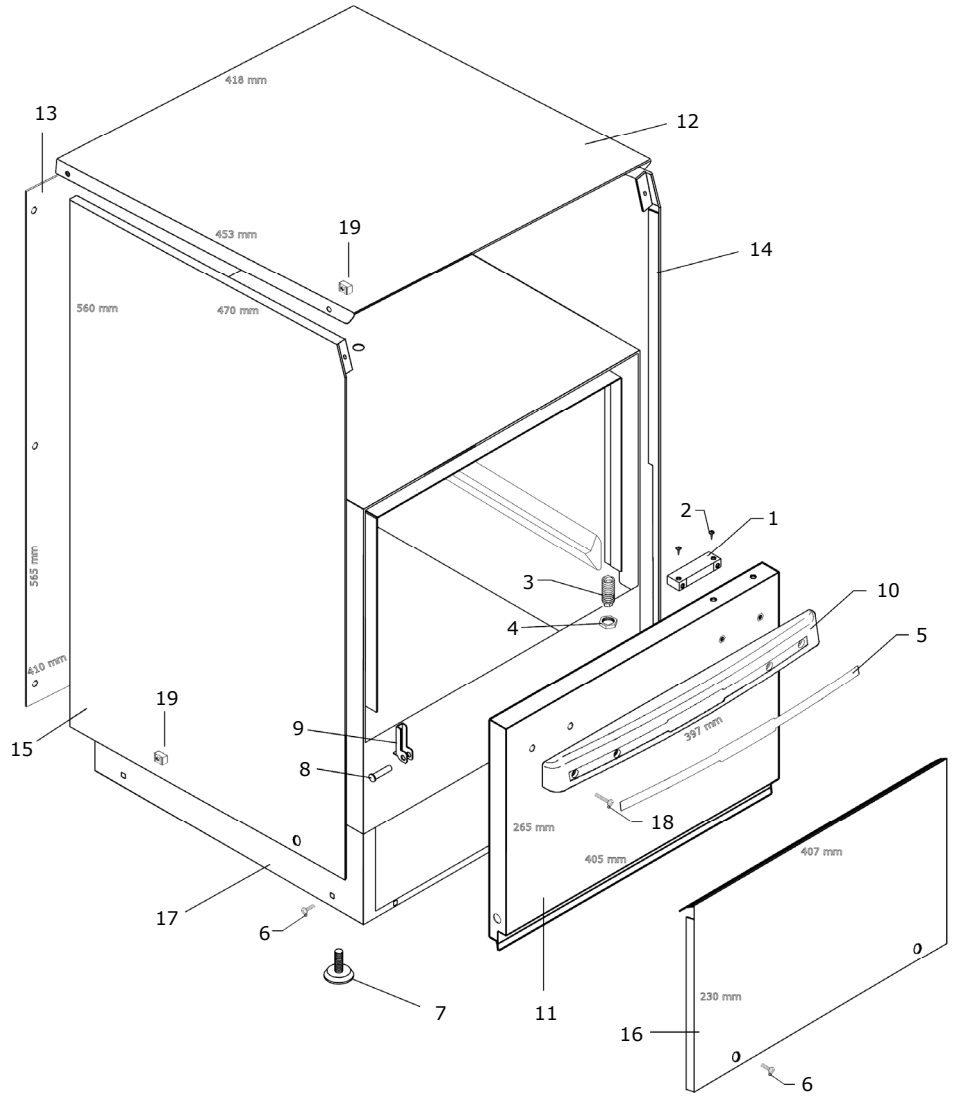
A - Floor to under side door	233mm
B - Open door to rear	704mm
C - Door length	232mm
D - Door surface to door opening	222mm
E - Basket base to rinse nut inside	210mm
F - Foot height	20mm
G - Machine height (+/- foot 10mm)	575mm
H - Machine depth	470mm
I - Machine width	420mm
J - Waste height	140mm



Total loading	2810 watts
Boiler element	2.6 kw
Wash tank element	1.6kw
Wash pump motor	0.30kw
Power supply-240v	13amp
Rinse boiler temp	0-90°C
Wash tank temp-fixed	55°C
Water consumption/cycle	2 ltr
Waste outlet hose Ø	25mm / 18.5mm
Basket size	350x350mm

POS	CODE	DESCRIPTION	2007
-----	------	-------------	------

1	TR0220	DOOR MAGNET
2	907654	SCREW-DOOR MAGNET FIXING
3	906121	DOOR CATCH + NUT-S/STEEL
4	902023	NUT-DOOR CATCH
5	901661	HANDLE TRIM-DC SERIES/BLUE
6	907862	SCREW BOLT-PANEL FIXING
7	904980	FOOT M8
8	904795	DOOR PIN
9	901245	DOOR SUPPORT
10	903935	HANDLE PLASTIC-397mm
11	929300	DOOR-265x408mm
12	929301	PANEL-TOP
13	929302	PANEL-REAR
14	929303	PANEL-R/H SIDE
15	929304	PANEL-L/H SIDE
16	929305	PANEL-LOWER FRONT
17	929306	BASE-STRUCTURE
18	927734	SCREW BOLT-HANDLE FIXING
19	902004	CAGED NUT-M5

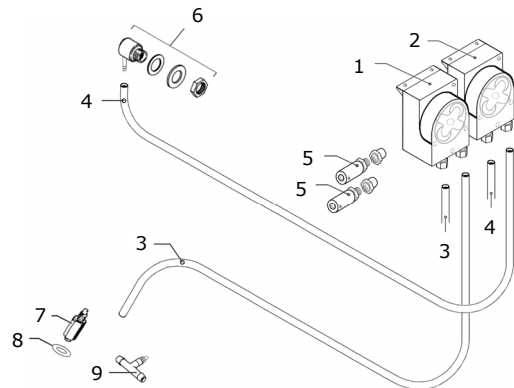


DC035 SINGLE PERISTALTIC PUMPS

FIG. 2

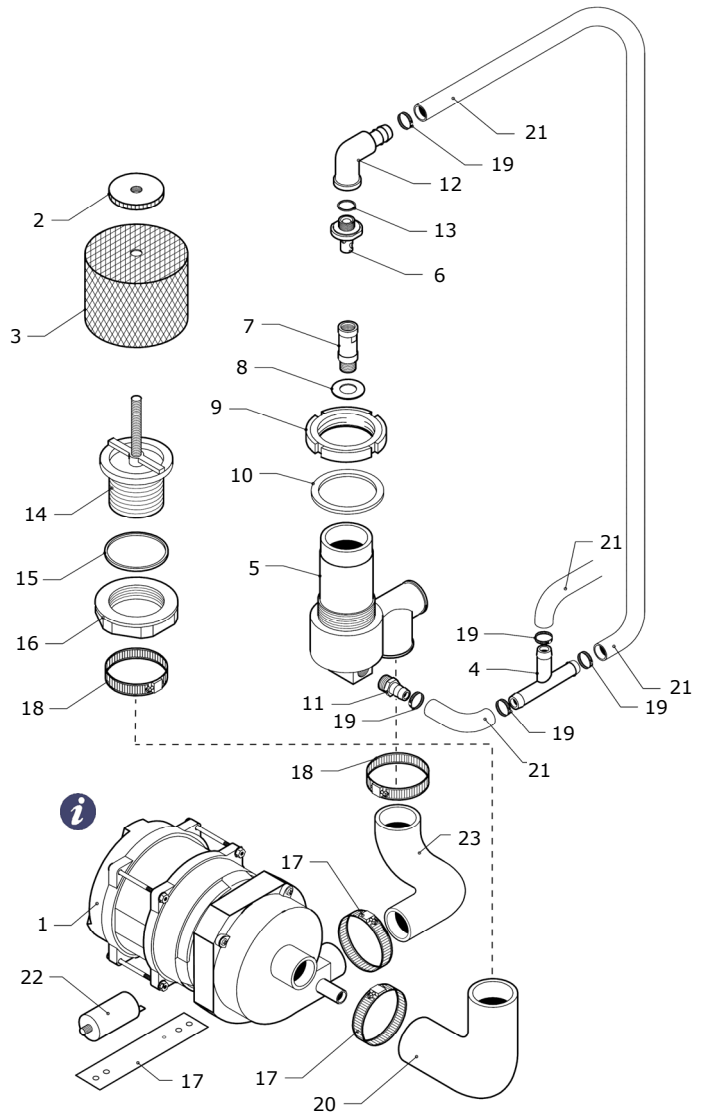
POS	CODE	DESCRIPTION	2007
-----	------	-------------	------

1	922344	PUMP RINSE AID-PERISTALTIC-G302-GREEN
2	922340	PUMP DETERGENT-PERISTALTIC-G300
3	907279	TUBE-CLEAR-SILICON
4	907274	TUBE-DETERGENT-RED
5	906621	WEIGHT/FILTER UNIT-COMBINED
6	902366	ELBOW-FITTING-DETERGENT
7	909069	VALVE-NON RETURN-RINSE AID
8	903400	GASKET-FIBER-NRV
9	908150	TEE-RINSE AID + NON RETURN VALVE



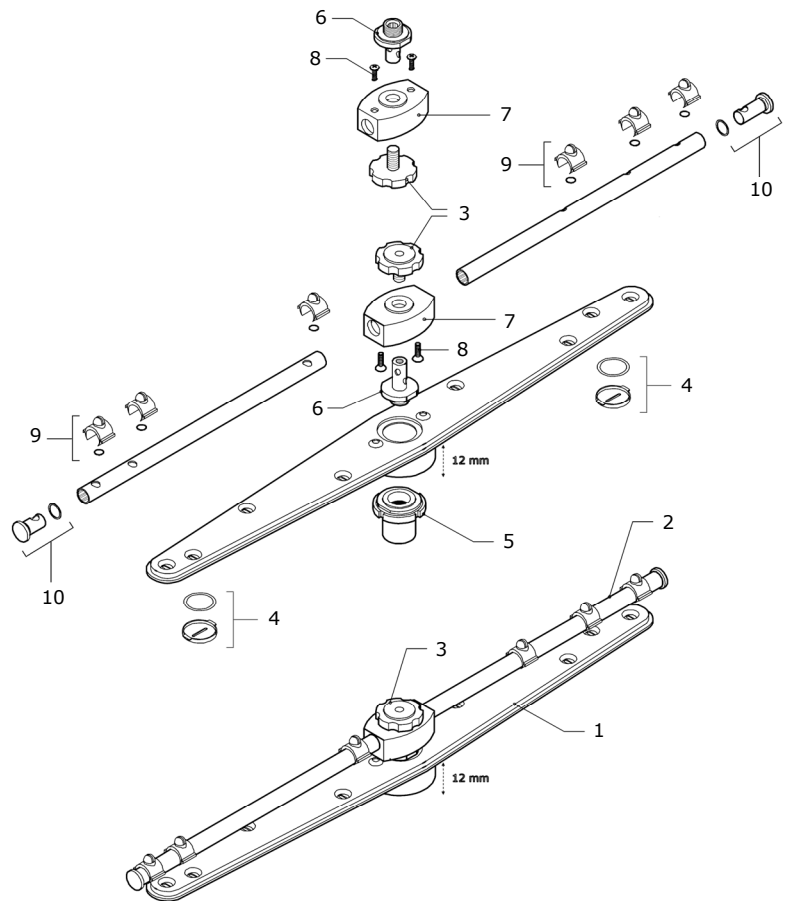
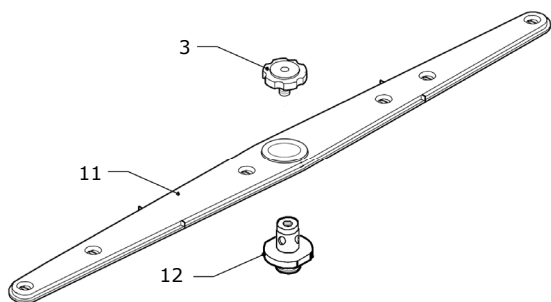
POS CODE DESCRIPTION 2007

1	902238	PUMP WASH-0.30 kw
2	902850	NUT-FILTER-PLASTIC
3	904467	FILTER-BOWL-PUMP INLET-PLASTIC-75x56mm
4	905382	TEE-HOSE RINSE HOSE/EQUAL TEE
5	925555	HUB-LOWER COMPLETE-BLANK END H=80mm
6	904760	RINSE PIN-S/STEEL
7	904765	WASH PIN-UPPER/LOWER-32mm
8	906002	WASHER-HUB-LOWER
9	900035	NUT-HUB-LOWER
10	903301	GASKET-HUB LOWER
11	906003	FITTING-RINSE INLET-HUB LOWER
12	905453	ELBOW-HUB-UPPER-GREY PLASTIC
13	903351	GASKET-ELBOW
14	905380	HOUSING-PUMP INLET
15	904380	GASKET-HOUSING INLET
16	902080	NUT-HOUSING-PUMP INLET
17	927095	BRACKET-PUMP SUPPORT
18	902441	CLIP 38-50 / SIZE 50
19	902440	CLIP 13-20 / SIZE 20
20	903674	HOSE-PUMP-INLET
21	907360	HOSE-RINSE 10x17
22	901744	CAPACITOR / 6.3 uf
23	903668	HOSE-PUMP-OUTLET



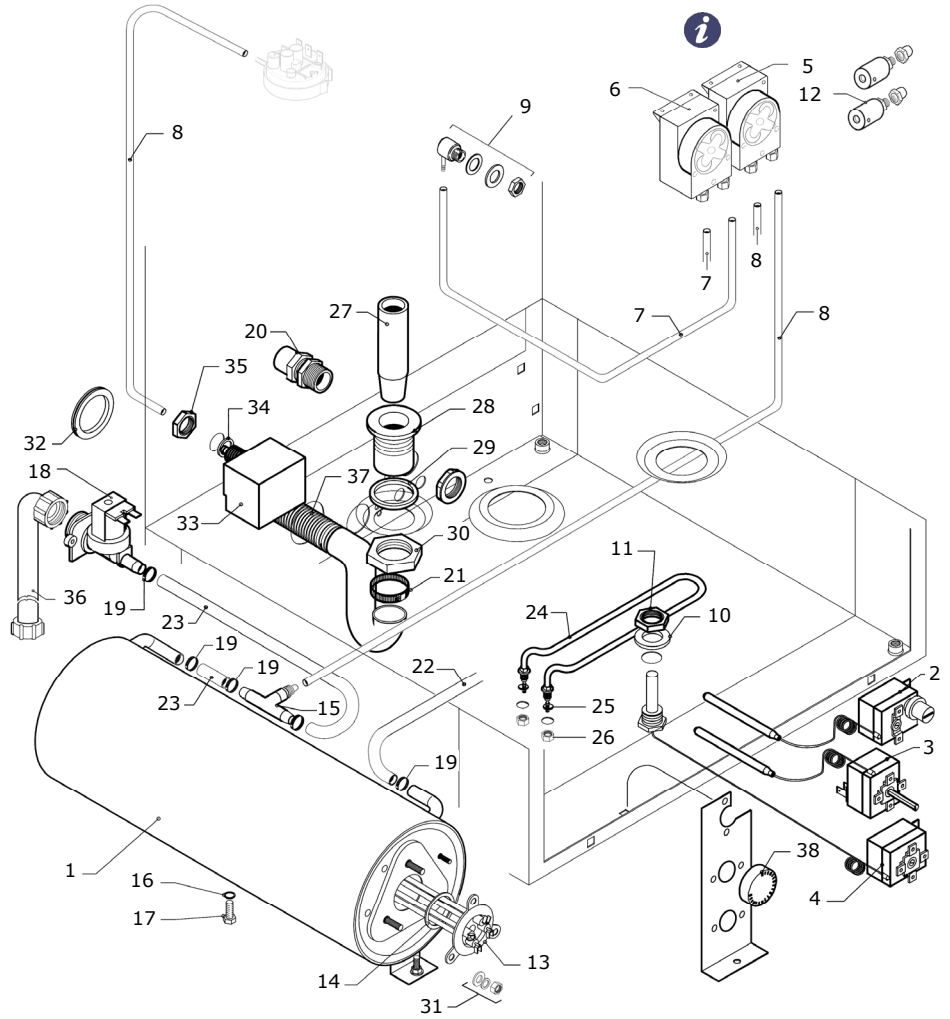
POS CODE DESCRIPTION 2007

1	903104	WASH ARM-COMPLETE -12mm RIM
2	903009	RINSE ARM-COMPLETE
3	902880	NUT-RINSE ARM-PLASTIC
4	906445	INSPECTION CLEANING CAP + O-RING
5	904277	BOSS + NUT/WASH ARM
6	904760	RINSE PIN-S/STEEL
7	904292	BOSS-RINSE ARM
8	907651	SCREW-4x8mm-S/STEEL-BOSS RINSE ARM
9	902816	JET-RINSE + O-RING
10	906451	END CAP-RINSE ARM + O-RING
11	907955	RINSE ARM-PLASTIC-PPL-COMPLETE-2007
12	908771	RINSE PIN-S/STEEL-PLASTIC RINSE ARM 2007



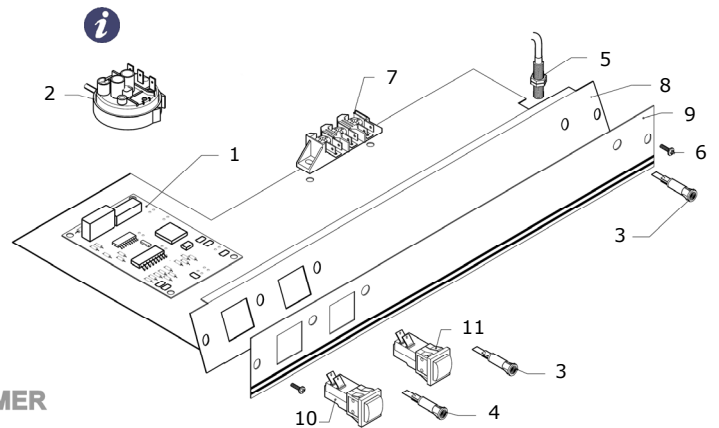
POS	CODE	DESCRIPTION	2007
-----	------	-------------	------

1	900351	BOILER
2	907125	THERMOSTAT-SAFETY 90-110c
3	907100	THERMOSTAT-BOILER 0-90c
4	907124	THERMOSTAT-WASH TANK 30-90c
5	922344	PUMP RINSE AID-PERISTALTIC-G302
6	922340	PUMP DETERGENT-PERISTALTIC-G300
7	907274	TUBE-DETERGENT-RED
8	907279	TUBE-CLEAR-SILICON
9	902366	ELBOW-FITTING-DETERGENT
10	904991	GASKET-THERMOSTAT
11	902104	NUT-PROBE 3/8"
12	906621	WEIGHT/FILTER UNIT-COMBINED
13	905493	ELEMENT-BOILER 2.600kw + O-RING
14	907981	O-RING-BOILER ELEMENT
15	908150	TEE-RINSE AID + NON RETURN VALVE
16	904430	O-RING-DRAIN BOLT-BOILER
17	907820	DRAIN BOLT-BOILER M-8 x 12
18	902390	SOLENOID VALVE-1 WAY
19	902440	CLIP 13-20/SIZE 20
20	902687	CLAMP-CABLE-MAINS LEAD
21	902460	CLIP 26-38/SIZE 38
22	907360	HOSE-RINSE 10x17
23	907295	HOSE-RINSE 12x19.5
24	905771	ELEMENT-WASH TANK 1.600 kw
25	904391	O-RING-WASH TANK ELEMENT
26	923393	NUT-BRASS-ELEMENT FIXING
27	907280	DRAIN PLUG H=92mm
28	905440	HOUSING-DRAIN PLUG 1"
29	904350	O-RING-HOUSING-DRAIN PLUG 1"
30	902070	NUT-HOUSING
31	923392	NUT-SET/ELEMENT FIXING
32	904721	FAIRLEAD-HOSE PROTECTION
33	905273	AIR TRAP H=45mm
34	903260	GASKET-AIR TRAP-3/8"
35	902100	NUT-3/8"
36	907344	HOSE-MAINS WATER INLET-L=1500
37	907440	HOSE-WASTE D=25.0
38	903982	DIAL CONTROL-THERMOSTAT



POS	CODE	DESCRIPTION	2007
-----	------	-------------	------

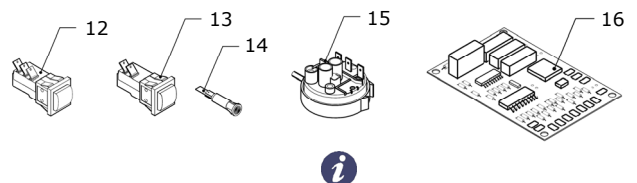
1	928800	TIMER ELECTRONIC & RELAY BOARD-2 MINUTE
2	905270	PRESSURE SWITCH-40/20-WASH TANK
3	903629	LAMP-AMBER
4	903632	LAMP-GREEN
5	TR0309	SWITCH-REED MAGNETIC-SENSOR
6	907862	SCREW BOLT-PANEL FIXING
7	904140	TERMINAL BLOCK-MAINS-3 POLE
8	905464	PANEL-CONTROL-S/STEEL
9	907086	PANEL-FACIA/GRAFIX
10	925325	SWITCH-ON/OFF-2 PIN-GREY
11	925332	SWITCH-CYCLE START-GREY



P.C.B. TIMER

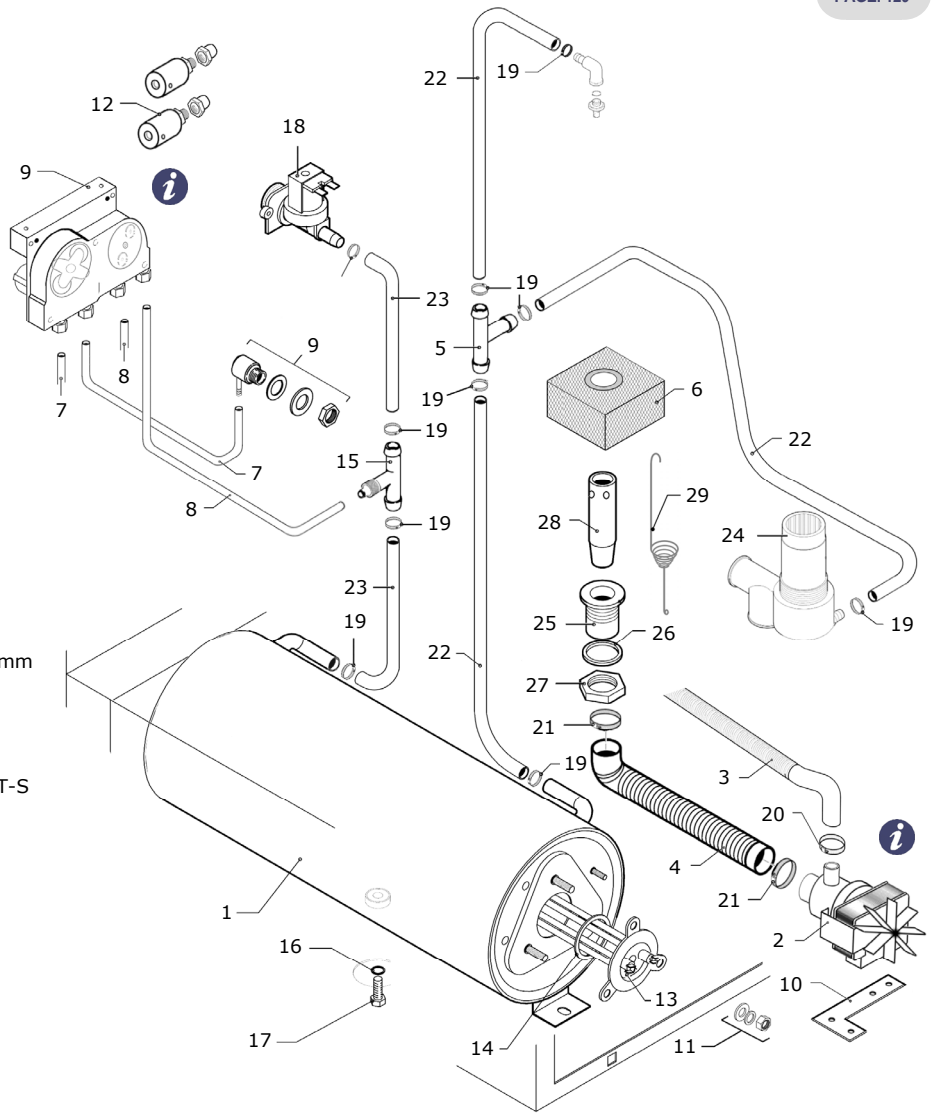
POS	CODE	DESCRIPTION	2007
-----	------	-------------	------

12	925334	SWITCH-ON/OFF-3 PIN-WASTE PUMP-GREY
13	925337	SWITCH-WASTE PUMP-GREY 2 PIN
14	903629	LAMP-AMBER
15	925270	PRESSURE SWITCH-35/17-WASTE PUMP MACHINES
16	907174	TIMER ELECTRONIC & RELAY BOARD-6*-WASTE PUMP



POS	CODE	DESCRIPTION	2007
-----	------	-------------	------

- 1 900351 BOILER
- 2 902346 PUMP-WASTE-ANTI AIR LOCK
- 3 907439 HOSE-WASTE D=18.5/L=2000
- 4 907441 HOSE-FLEXI-WASH TANK/WASTE PUMP
- 5 905382 TEE-HOSE RINSE HOSE/EQUAL TEE
- 6 929415 FILTER BOX-DRAIN PLUG HOLE-WP
- 7 907274 TUBE-DETERGENT-RED
- 8 907279 TUBE-CLEAR-SILICON
- 9 902045 PUMP RINSE AID-PERISTALTIC
- 10 906997 BRACKET-WASTE PUMP FIXING
- 11 923392 NUT-SET/ELEMENT FIXING
- 12 906621 WEIGHT/FILTER UNIT-COMBINED
- 13 905493 ELEMENT-BOILER 2.600kw + O-RING
- 14 907981 O-RING-BOILER ELEMENT
- 15 908150 TEE-RINSE AID-NON RETURN VALVE
- 16 904430 O-RING-DRAIN BOLT-BOILER
- 17 907820 DRAIN BOLT-BOILER M-8 x 12
- 18 902390 SOLENOID VALVE-1 WAY
- 19 902440 CLIP 13-20/SIZE 20
- 20 902454 CLIP 19-28/SIZE 28
- 21 902460 CLIP 26-38/SIZE 38
- 22 907360 HOSE-RINSE 10x17
- 23 907295 HOSE-RINSE 12x19.5
- 24 925555 HUB-LOWER COMPLETE-BLANK END H=80mm
- 25 905440 HOUSING-DRAIN PLUG 1"
- 26 904350 O-RING-HOUSING-DRAIN PLUG 1"
- 27 902070 NUT-HOUSING
- 28 927280 DRAIN PLUG-WP-HOLES-H=92mm
- 29 925540 FILTER-COIL SPRING PROTECTION OUTLET-S

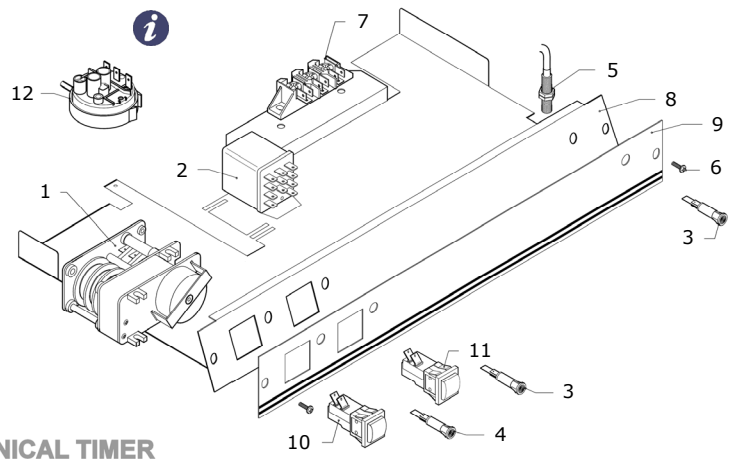


DC035

FIG. 9

POS	CODE	DESCRIPTION	2007
-----	------	-------------	------

- 1 907172 TIMER UNIT 2 MINUTE
- 2 905479 RELAY 11-PIN
- 3 903629 LAMP-AMBER
- 4 903632 LAMP-GREEN
- 5 TR0309 SWITCH-REED MAGNETIC-SENSOR
- 6 907862 SCREW BOLT-PANEL FIXING
- 7 904140 TERMINAL BLOCK-MAINS-3 POLE
- 8 905464 PANEL-CONTROL-S/STEEL
- 9 907086 PANEL-FACIA/GRAFIX
- 10 925325 SWITCH-ON/OFF-2 PIN-GREY
- 11 925332 SWITCH-CYCLE START-GREY
- 12 905270 PRESSURE SWITCH-40/20-WASH TANK



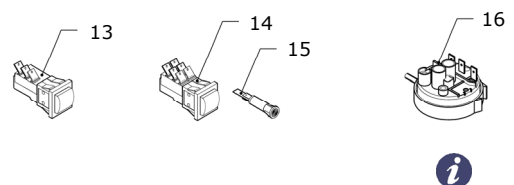
MECHANICAL TIMER

DC035-WP

FIG. 10

POS	CODE	DESCRIPTION	2007
-----	------	-------------	------

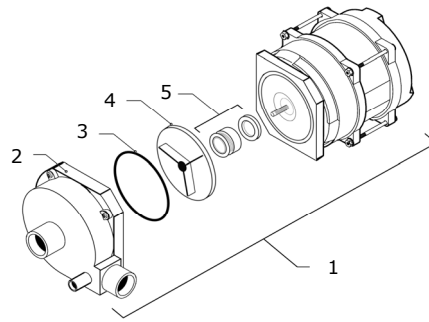
- 13 925334 SWITCH-ON/OFF-3 PIN-WASTE PUMP-GREY
- 14 925340 SWITCH-WASTE PUMP-6 POLE-GREY
- 15 903629 LAMP-AMBER
- 16 925270 PRESSURE SWITCH-35/17-WASTE PUMP MACHINES





POS CODE DESCRIPTION 2007

- 1 902238 PUMP 0.30 kw
- 2 902238A IMPELLOR HOUSING
- 3 902238B SEAL-IMPELLOR HOUSING
- 4 902238C IMPELLOR
- 5 902238D SEAL-INNER SHAFT

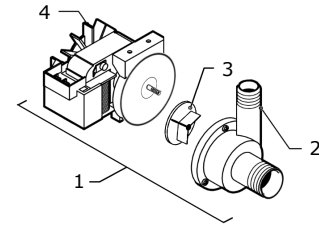


**DC035 WASTE PUMP-PARTS**



POS CODE DESCRIPTION 2007

- 1 902346 PUMP-WASTE-ANTI AIR LOCK-BLACK
- 2 922338 IMPELLOR HOUSING-WASTE PUMP-TOP EXIT
- 3 922337 IMPELLOR-WASTE PUMP
- 4 920031 FAN-WASTE PUMP



**DC035 SINGLE PERISTALTIC PUMP-PARTS**

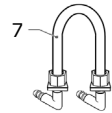
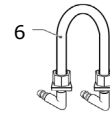
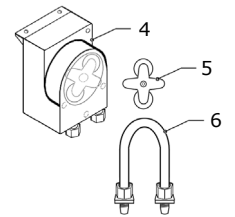
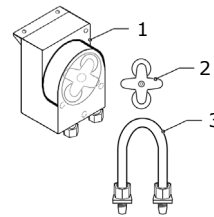


POS CODE DESCRIPTION 2007

- 1 922344 PUMP RINSE AID-PERISTALTIC-G302 / GREEN
- 2 920091 ROTOR-PUMP-RINSE AID-GERMAC-G302
- 3 908323 PERISTALTIC TUBE RINSE AID-GERMAC-G302
- 4 922340 PUMP DETERGENT-PERISTALTIC-G300 / GREEN
- 5 920090 ROTOR-PUMP-DETERGENT-GERMAC-G300
- 6 907287 PERISTALTIC TUBE-PUMP DETERGENT-GERMAC-G300

PUMP RINSE AID

PUMP DETERGENT



RINSE AID REAR FACING TAG TIED FITTING

DETERGENT REAR FACING TAG TIED FITTING

**DC035 SINGLE PERISTALTIC PUMP-PARTS**



POS CODE DESCRIPTION 2007

- 6 928323 PERISTALTIC TUBE RINSE AID-REAR FACING-GERMAC-G302E
- 7 927287 PERISTALTIC TUBE-PUMP DETERGENT-REAR FACING-GERMAC-G300E

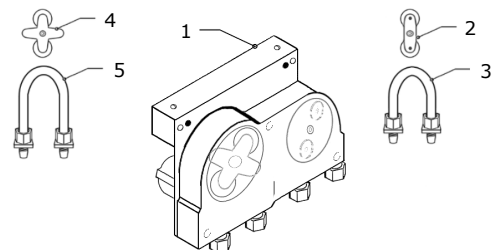
**DC035 DUEL PERISTALTIC PUMP-PARTS**



POS CODE DESCRIPTION 2007

- 1 902045 PUMP RINSE AID/DETERGENT-DUEL PERISTALTIC-G650 / BLACK
- 2 907289 ROTOR-PUMP-RINSE AID-GERMAC-DUEL-G650
- 3 908328 PERISTALTIC TUBE RINSE AID-GERMAC-DUEL-G650
- 4 920090 ROTOR-PUMP-DETERGENT-GERMAC-G650
- 5 908329 PERISTALTIC TUBE-DETERGENT-GERMAC-G650

PUMP RINSE AID & DETERGENT DUEL



**DC035 SINGLE PERISTALTIC PUMP-PARTS**

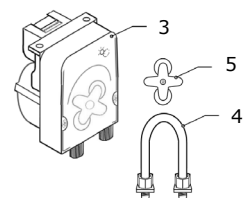
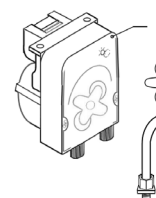


POS CODE DESCRIPTION 2007

- 1 902344 PUMP RINSE AID-PERISTALTIC-SEKO
- 2 907277 PERISTALTIC TUBE-PUMP-RINSE AID-SEKO
- 3 902340 PUMP DETERGENT-PERISTALTIC-SEKO
- 4 907276 PERISTALTIC TUBE-PUMP-DETERGENT-SEKO
- 5 907281 ROTOR-SEKO RINSE AID & DETERGENT PUMP

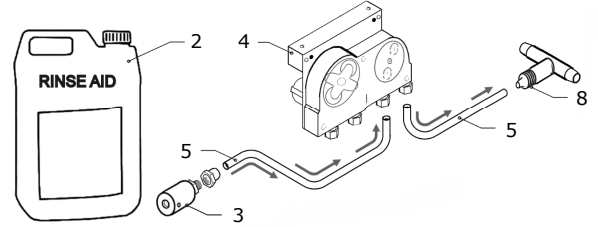
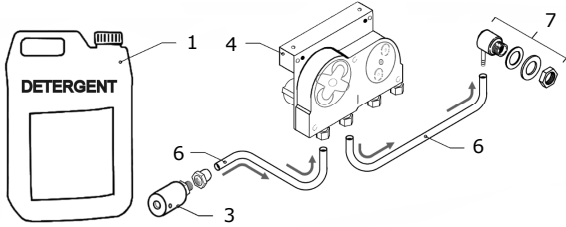
RINSE AID PUMP-PERISTALTIC SEKO

DETERGENT PUMP-PERISTALTIC SEKO



POS CODE DESCRIPTION

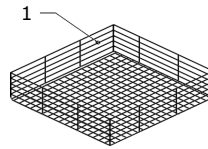
- 1 D1011 DETERGENT-DC SERIES 5LTR
- 2 D1008 RINSE AID-DC SERIES 5LTR
- 3 906621 WEIGHT/FILTER UNIT-NRV-COMBINED
- 4 902045 PUMP RINSE AID/DETERGENT-DUEL-G650
- 5 907279 TUBE-CLEAR-SILICON
- 6 907274 TUBE-DETERGENT-RED
- 7 902366 ELBOW-FITTING-DETERGENT
- 8 908150 TEE-RINSE AID-NON RETURN VALVE



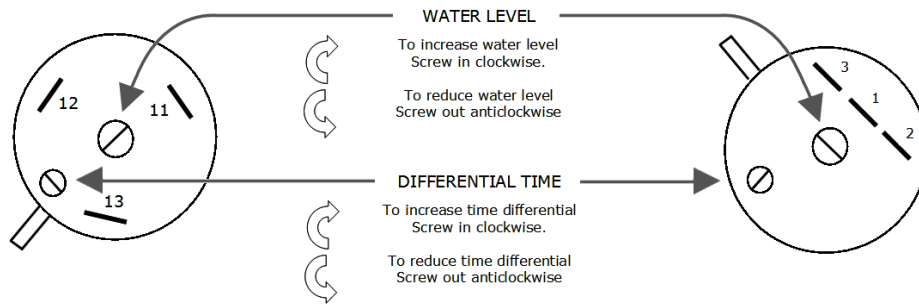
DC035 BASKETS

POS CODE DESCRIPTION

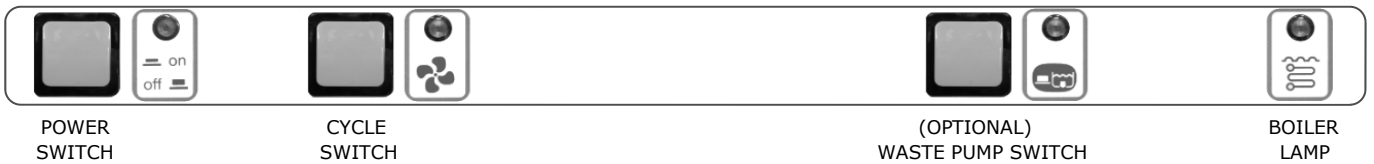
- 1 901360 BASKET-GLASS-WIRE-350x350mm



DC035 PRESSURE SWITCH ADJUSTMENT



DC035 CONTROL PANEL LAYOUT



DC035 MACHINE IDENTIFICATION

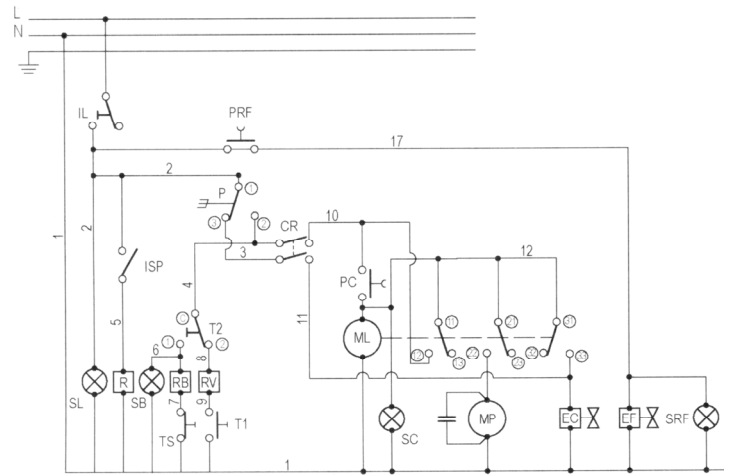
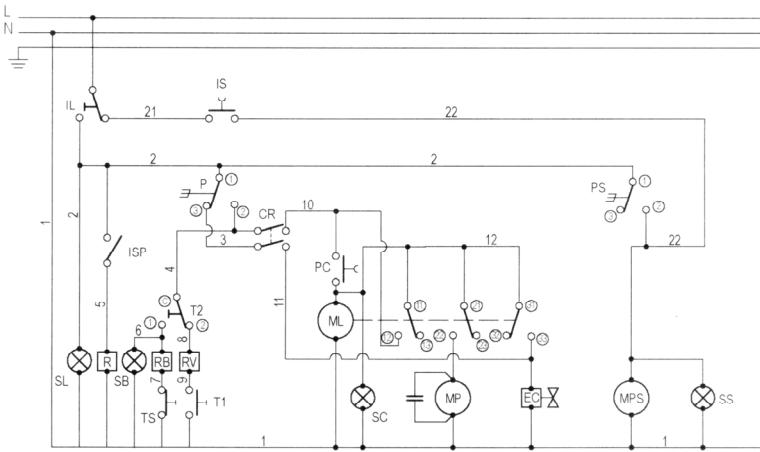
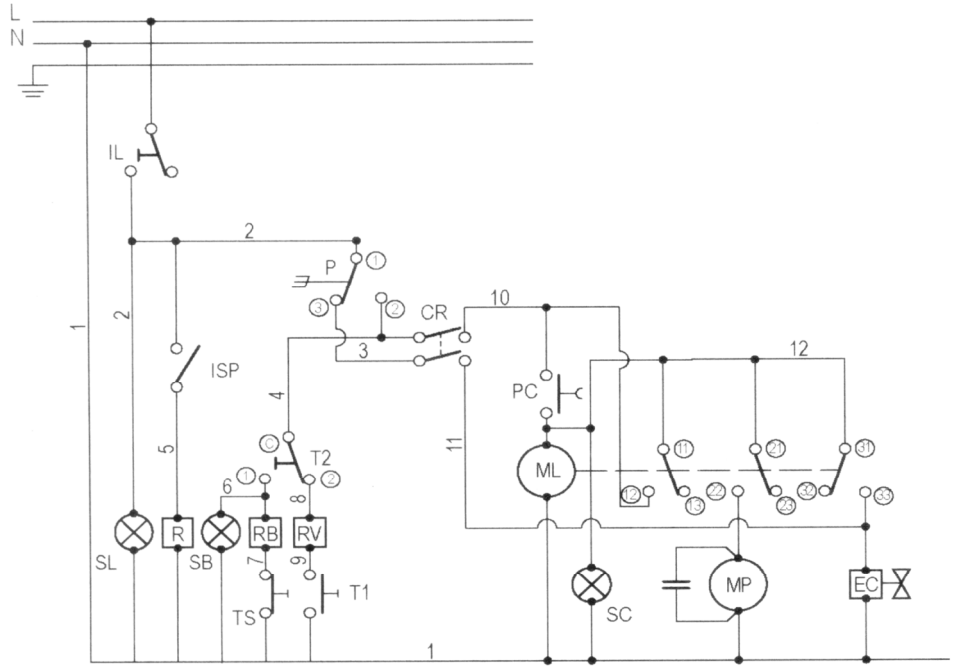
Model & Serial numbers, Power ratings & Manufactures date can be found on the identification plate located on the right side panel & inside the lower front panel.



DIRECT CATERING PRODUCTS NORTHLOAD HOUSE BRISTOL BS28 4SY UK	
MODEL: DC 035	
VOLT: 240/1~50 HZ	WATT:
DATE: 01/01/07	
SERIAL NUMBER: 10000	

**CE**

- CR DOOR MICRO SWITCH CONTACT
- EC RINSE SOLNOID VALVE
- EF COLD RINSE SOLENOID VALVE V.2
- IL LINE SWITCH
- ISP DOOR SAFTY REED SWITCH
- ML TIMER
- MP WASH PUMP MOTOR
- MPS WASTE PUMP MOTOR
- MR REGENERATION TIMER
- P PRESSURE SWITCH
- PC CYCLE SWITCH
- MPS WASTE PUMP
- PS WASTE PUMP
- PRF COLD RINSE SWITCH
- R DOOR SWITCH RELAY
- RB BOILER ELEMENT
- RV WASH TANK ELEMENT
- SB BOILER READY LAMP
- SC CYCLE LAMP
- SL ON/OFF LAMP
- SS WASTE PUMP LAMP
- SRF COLD RINSE LAMP
- T1 THERMOSTAT-WASH TANK
- T2 THERMOSTAT-BOILER
- TS THERMOSTAT-SAFTY-OVERLOAD



PIN	FUNCTION			907174	907175	907177
P1	DOOR REED SWITCH	PERMANENT INPUT	230V/240V 50-60HZ	X	X	X
P7	POWER ON / DOOR REED SWITCH	PERMANENT INPUT	230V/240V 50-60HZP	X	X	
P10	PRESSURE SWITCH	PERMANENT INPUT	230V/240V 50-60HZ	X	X	X
P11	POWER SUPPLY		230V/240V 50-60HZ	X	X	X
P12	POWER SUPPLY		230V/240V 50-60HZ	X	X	X
P13	WASTE PUMP	RELAY 4 / 10 AMPS	230V/240V 50-60HZ 100W	X	X	X
P14	SOLNOID AND PERISTALTICS	RELAY 2 / 10 AMPS	230V/240V 50-60HZ 5W	X	X	X
P15	REGENERATION SOLONOID	RELAY 3 / 10 AMPS	230V/240V 50-60HZ 5W	X		
P15	RINSE BOOSTER PUMP	RELAY 2 / 10 AMPS	230V/240V 50-60HZ 200W	X		X
P16	WASH PUMP	RELAY 1 / 10 AMPS	230V/240V 50-60HZ 1 HP	X	X	X
P17	REGENERATION LAMP	TC1	230V/240V 50-60HZ 0.5W	X		
P18	WASHING CYCLE LAMP	TC2	230V/240V 50-60HZ 0.5W	X	X	X
P20	INPUT WASH CYCLE	60 SEC 0.5 SEC INPUT	230V/240V 50-60HZ	X	X	X
P21	INPUT WASH CYCLE	75 SEC 0.5 SEC INPUT	230V/240V 50-60HZP	X		X
P22	INPUT WASH CYCLE	90 SEC 0.5 SEC INPUT	230V/240V 50-60HZ	X		
P23	INPUT WASH CYCLE	120 SEC 0.5 SEC INPUT	230V/240V 50-60HZ	X	X	X
P24	INPUT WASH CYCLE	150 SEC 0.5 SEC INPUT	230V/240V 50-60HZ	X		
P25	INPUT WASH CYCLE	180 SEC 0.5 SEC INPUT	230V/240V 50-60HZ	X	X	X
P26	INPUT REGENERATION CYCLE	1 SEC INPUT	230V/240V 50-60HZ	X		

P.C.B TIMER

ID & CODE

