

SPARES DIAGRAMS AND STOCK CODES PREMIUM RANGE

DC SERIES FROM 2007



**DC50
DC50-WP**



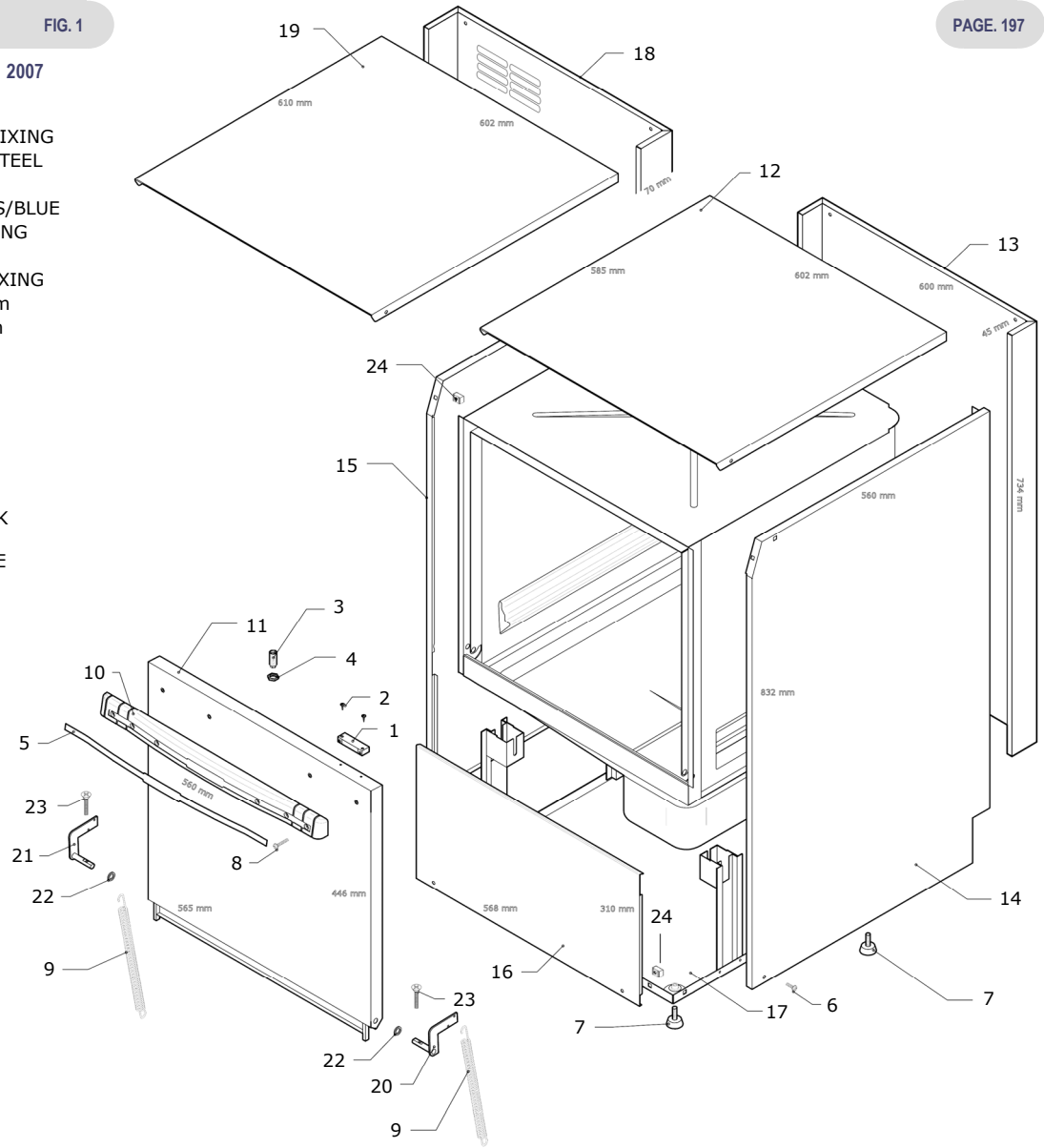
**DC700
DC700-A
DC700-WP
DC700-A,WP**

N50 / N50 B PS

A - Floor to under side door		312mm		Total loading	5080 watts
B - Open door to rear	wras=1055mm	1030mm		Boiler element	4.5kw
C - Door length		425mm		Wash tank element	2.kw
D - Door surface to door opening		395mm		Wash pump motor	0.60kw
E - Basket base to rinse nut inside		345mm		Power supply-240v	25amp / 3phase
F - Foot height		30mm		Rinse boiler temp	0-90°C
G - Machine height (+/- foot 15mm)		845mm		Wash tank temp-fixed	55°C
H - Machine depth	wras=630mm	605mm		Water consumption/cycle	2.5ltr
I - Machine width		600mm		Waste outlet hose Ø	25mm / 18.5mm
J - Waste height		80mm		Basket size	500x500mm

POS CODE DESCRIPTION 2007

1	TR0220	DOOR MAGNET
2	907654	SCREW-DOOR MAGNET FIXING
3	906121	DOOR CATCH + NUT-S/STEEL
4	902023	NUT-DOOR CATCH
5	901661	HANDLE TRIM-DC SERIES/BLUE
6	907862	SCREW BOLT-PANEL FIXING
7	904990	FOOT M10
8	927734	SCREW BOLT-HANDLE FIXING
9	908041	SPRING-DOOR L=225mm
10	903934	HANDLE PLASTIC-560mm
11	929370	DOOR
12	929371	PANEL-TOP
13	929372	PANEL-REAR
14	929373	PANEL-R/H SIDE
15	929374	PANEL-L/H SIDE
16	929375	PANEL-LOWER FRONT
17	929376	BASE-STRUCTURE
18	929377	PANEL-REAR-BREAK TANK
19	929378	PANEL-TOP-BREAK TANK
20	901248	HINGE-RIGHT HAND SIDE
21	901249	HINGE-LEFT HAND SIDE
22	908146	GASKET-HINGE
23	907871	BOLT-S/STEEL-M-6x10
24	902004	CAGED NUT-M5

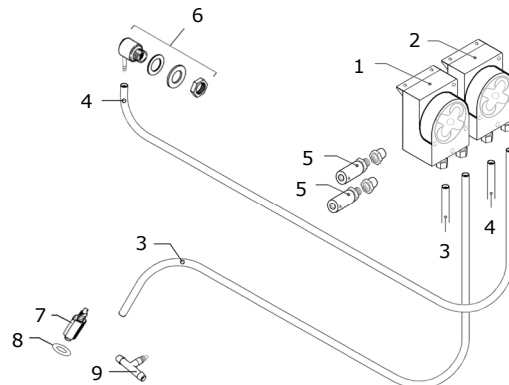


DC50/DC700 SINGLE PERISTALTIC PUMPS

FIG. 2

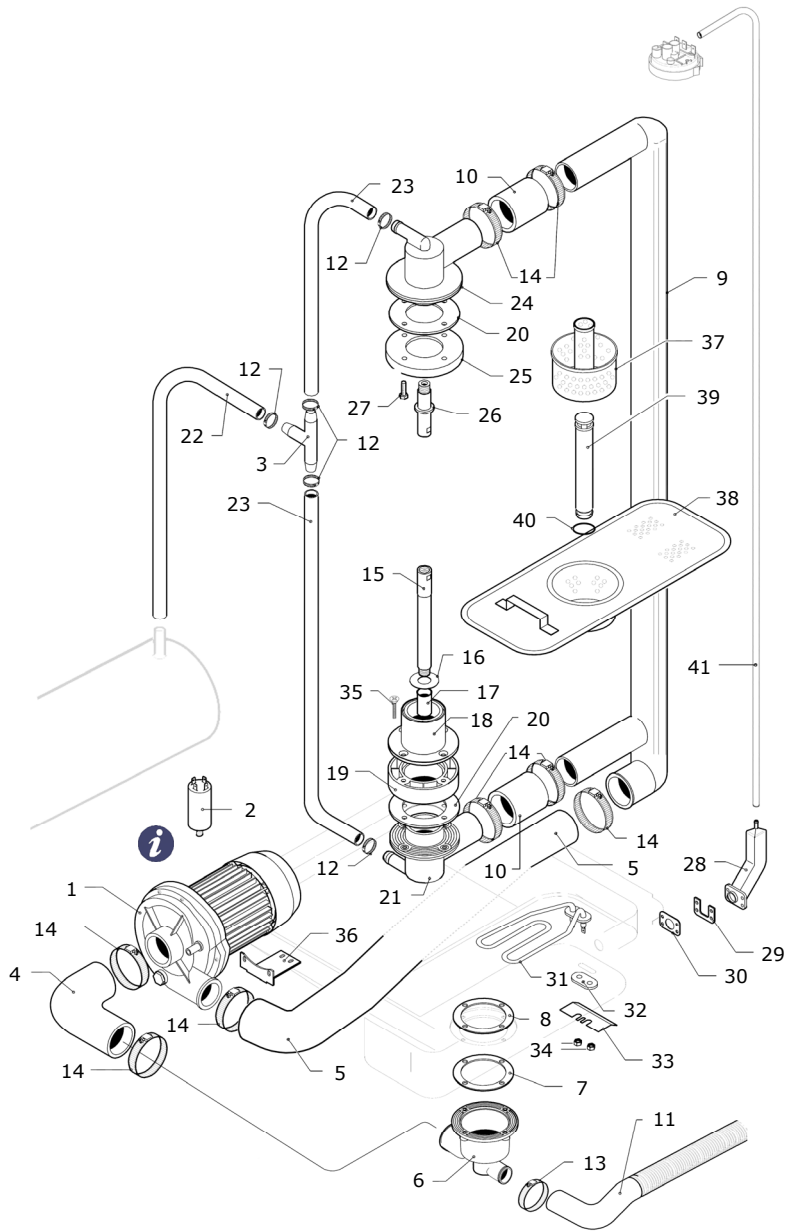
POS CODE DESCRIPTION 2007

1	922344	PUMP RINSE AID-PERISTALTIC-G302-GREEN
2	922340	PUMP DETERGENT-PERISTALTIC-G300
3	907279	TUBE-CLEAR-SILICON
4	907274	TUBE-DETERGENT-RED
5	906621	WEIGHT/FILTER UNIT-COMBINED
6	902366	ELBOW-FITTING-DETERGENT
7	909069	VALVE-NON RETURN-RINSE AID
8	903400	GASKET-FIBER-NRV
9	908150	TEE-RINSE AID + NON RETURN VALVE



POS CODE DESCRIPTION 2007

- 1 902304 PUMP WASH-0.60 kw
- 2 901740 CAPACITOR-12.5 uf
- 3 905382 TEE-HOSE RINSE HOSE/EQUAL TEE
- 4 903758 HOSE-PUMP INLET
- 5 923758 HOSE-PUMP OUTLET
- 6 905255 HOUSING-SUMP-PUMP & WASTE OUTLET
- 7 905257 GASKET-LOWER SUMP
- 8 905256 RIM-DISC-SUMP
- 9 908701 HOSE-WASH-UPPER/LOWER-PLASTIC
- 10 903756 HOSE-CONNECT-WASH HOSE
- 11 907440 HOSE-WASTE D=25.0
- 12 902440 CLIP 13-20 / SIZE 20
- 13 902460 CLIP 26-38 / SIZE 38
- 14 902441 CLIP 38-50 / SIZE 50
- 15 908705 WASH PIN-HUB-LOWER
- 16 906002 WASHER-HUB-LOWER
- 17 908456 SLEVE-REDUCING-S/STEEL
- 18 905388 HUB-LOWER-PLASTIC-PART ASSEMBLY
- 19 902183 COLLOR-HUB LOWER H=11mm
- 20 908141 GASKET-HUB-UPPER/LOWER
- 21 905449 HUB INLET HOUSING-UPPER/LOWER
- 22 907295 HOSE-RINSE 12x19.5
- 23 907360 HOSE-RINSE 10x17
- 24 905456 HUB INLET HOUSING-UPPER/LOWER
- 25 902184 FLANGE-INT-HUB UPPER
- 26 904799 WASH PIN-UPPER
- 27 907871 BOLT-S/STEEL-HUB UPPER
- 28 907254 AIR TRAP-EXTERIOR H=145
- 29 907926 PLATE-FIXING-AIR TRAP-EXTERIOR
- 30 903262 GASKET-AIR TRAP-EXTERIOR
- 31 905858 ELEMENT-WASHTANK + GASKET 2.0 kw
- 32 925858 GASKET-ELEMENT-2000 kw
- 33 904957 GUARD-ELEMENT
- 34 902030 NUT-M5/LOCK NUT
- 35 929400 BOLT-HUB-LOWER
- 36 906355 BRACKET-PUMP SUPPORT
- 37 904469 FILTER BOWL-HOLE FOR DRAIN PLUG
- 38 904471 FILTER SURFACE-S/STEEL-BOWL
- 39 907303 DRAIN PLUG + O-RING H=210mm
- 40 904404 O-RING-DRAIN PLUG/PLASTIC
- 41 907279 TUBE-CLEAR-SILICON

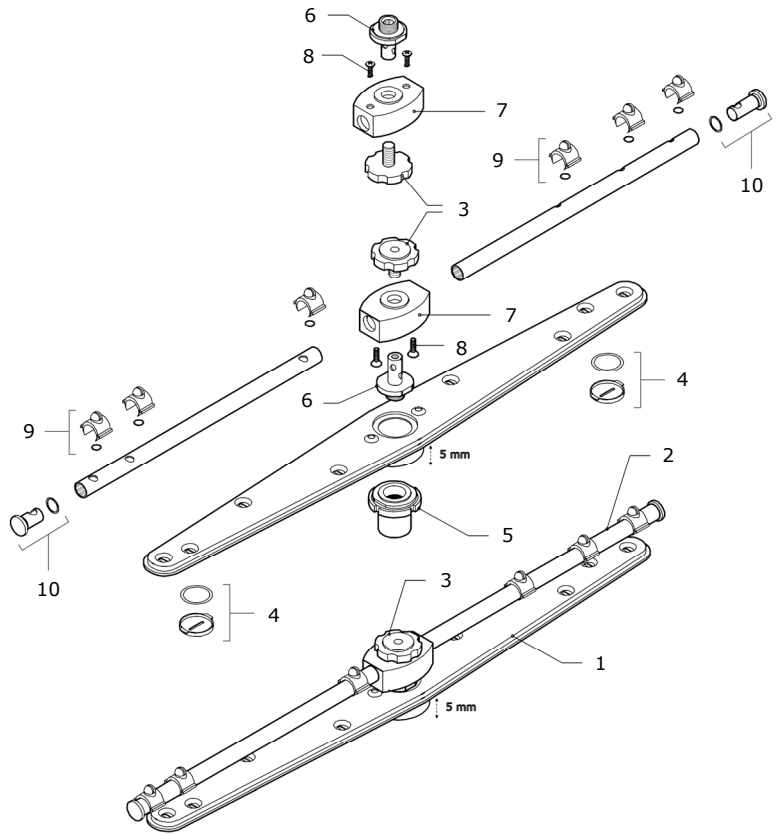
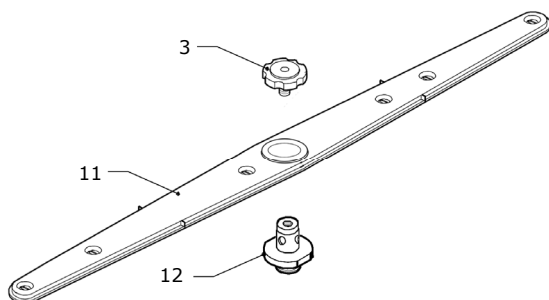


DC50/DC700

FIG. 4

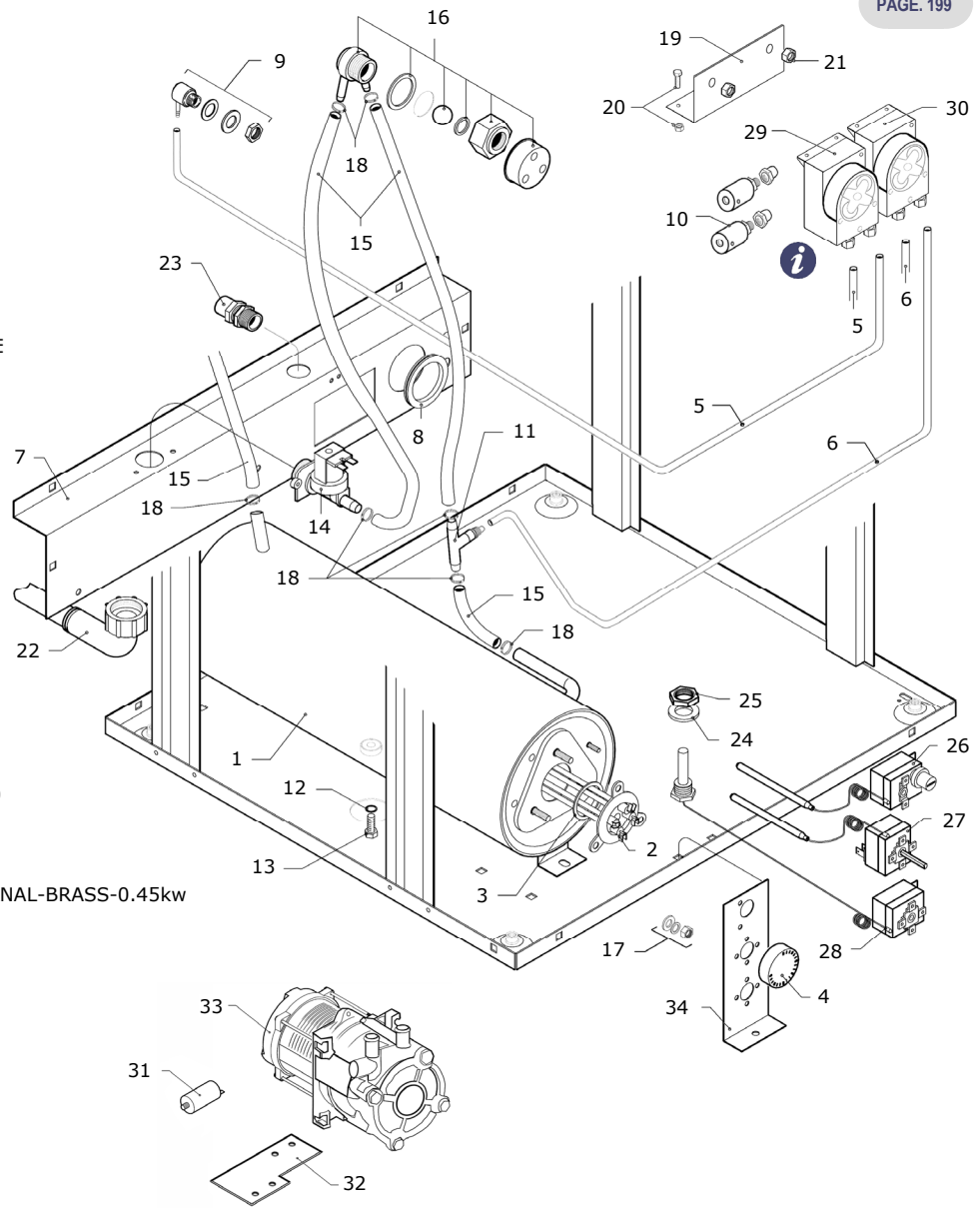
POS CODE DESCRIPTION 2007

- 1 923107 WASH ARM-COMPLETE -5mm RIM
- 2 903017 RINSE ARM-COMPLETE
- 3 902880 NUT-RINSE ARM-PLASTIC
- 4 906445 INSPECTION CLEANING CAP + O-RING
- 5 904277 BOSS + NUT/WASH ARM
- 6 904760 RINSE PIN-S/STEEL
- 7 904292 BOSS-RINSE ARM
- 8 907651 SCREW-4x8mm-S/STEEL-BOSS RINSE ARM
- 9 902816 JET-RINSE + O-RING
- 10 906451 END CAP-RINSE ARM + O-RING
- 11 907958 RINSE ARM-PLASTIC-PPL-COMPLETE-2007
- 12 908771 RINSE PIN-S/STEEL-PLASTIC RINSE ARM 2007



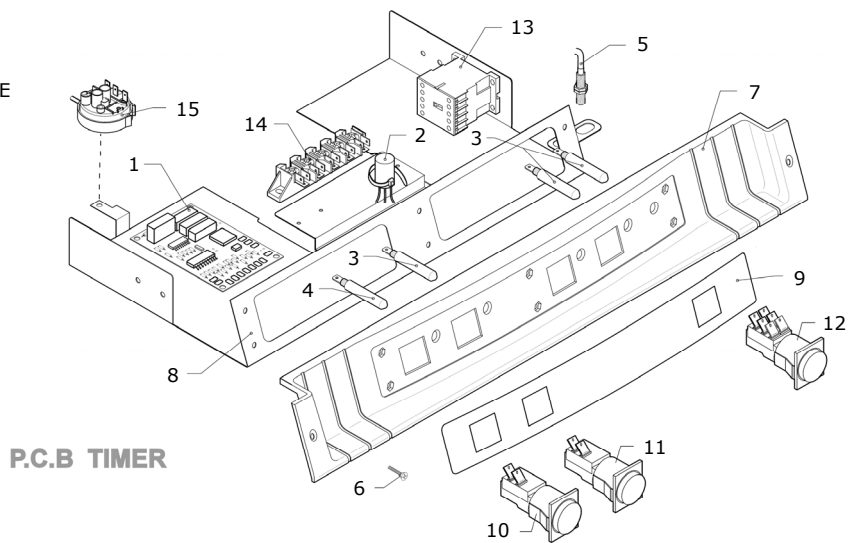
POS	CODE	DESCRIPTION	2007
-----	------	-------------	------

1	900486	BOILER	
2	905560	ELEMENT-BOILER 4.500 kw + O-RING	
3	907981	O-RING-BOILER ELEMENT	
4	903982	DIAL CONTROL-THERMOSTAT	
5	907274	TUBE-DETERGENT-RED	
6	907279	TUBE-CLEAR-SILICON	
7	929430	PANEL-LOWER REAR SUPPORT	
8	904721	FAIRLEAD-HOSE PROTECTION	
9	902366	ELBOW-FITTING-DETERGENT	
10	906621	WEIGHT/FILTER UNIT-COMBINED	
11	908150	TEE-RINSE AID + NON RETURN VALVE	
12	904430	O-RING-DRAIN BOLT-BOILER	
13	907820	DRAIN BOLT-BOILER M-8 x 12	
14	902390	SOLENOID VALVE-1 WAY	
15	907295	HOSE-RINSE 12x19.5	
16	TR2433	VALVE-NON RETURN-ANTI SYPHON	
17	923392	NUT-SET/ELEMENT FIXING	
18	902440	CLIP 13-20/SIZE 20	
19	927094	BRACKET	
20	927099	BOLT+NUT-M4x10	
21	902010	NUT-M6	
22	907345	HOSE-MAINS WATER INLET	
23	902687	CLAMP-CABLE-MAINS LEAD	
24	904991	GASKET-THERMOSTAT	
25	902104	NUT-PROBE 3/8"	
26	907125	THERMOSTAT-SAFETY 90-110c	
27	907100	THERMOSTAT-BOILER 0-90c	
28	907124	THERMOSTAT-WASH TANK 30-90c	
29	922340	PUMP DETERGENT-PERISTALTIC-G300	
30	922344	PUMP RINSE AID-PERISTALTIC-G302	
31	901730	CAPACITOR-10 uf	
32	906998	BRACKET-PUMP FIXING-LARGE	
33	902352	BOOSTER PUMP-MAINS WATER-INTERNAL-BRASS-0.45kw	
34	906374	BRACKET-THERMOSTAT SUPPORT	



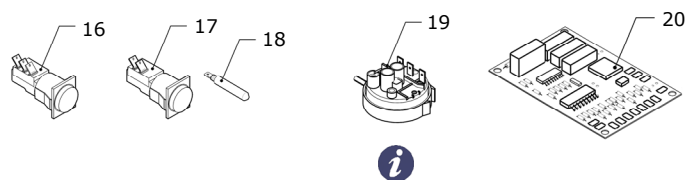
POS	CODE	DESCRIPTION	2007
-----	------	-------------	------

1	927182	TIMER ELECTRONIC & RELAY BOARD-2 + 3 MINUTE	
2	902105	NOISE FILTER-SUPPRESSOR	
3	903642	LAMP-AMBER/PUSH FIT	
4	903641	LAMP-GREEN/PUSH FIT	
5	TR0309	SWITCH-REED MAGNETIC-SENSOR	
6	907844	SCREW BOLT-M5x10	
7	929422	PANEL-CONTROL-PLASTIC FACIA	
8	929379	PANEL-CONTROL	
9	907091	PANEL-FACIA/GRAFIX	
10	905325	SWITCH-ON/OFF-2 PIN-BLUE	
11	905332	SWITCH-CYCLE START-BLUE	
12	905329	SWITCH-TIME SELECT-6 PIN-BLUE	
13	907045	CONTACTOR 9a /250 v	
14	904150	TERMINAL BLOCK-MAINS-6 POLE	
15	905283	PRESSURE SWITCH-65/9.5	
15	905275	PRESSURE SWITCH-35/90	



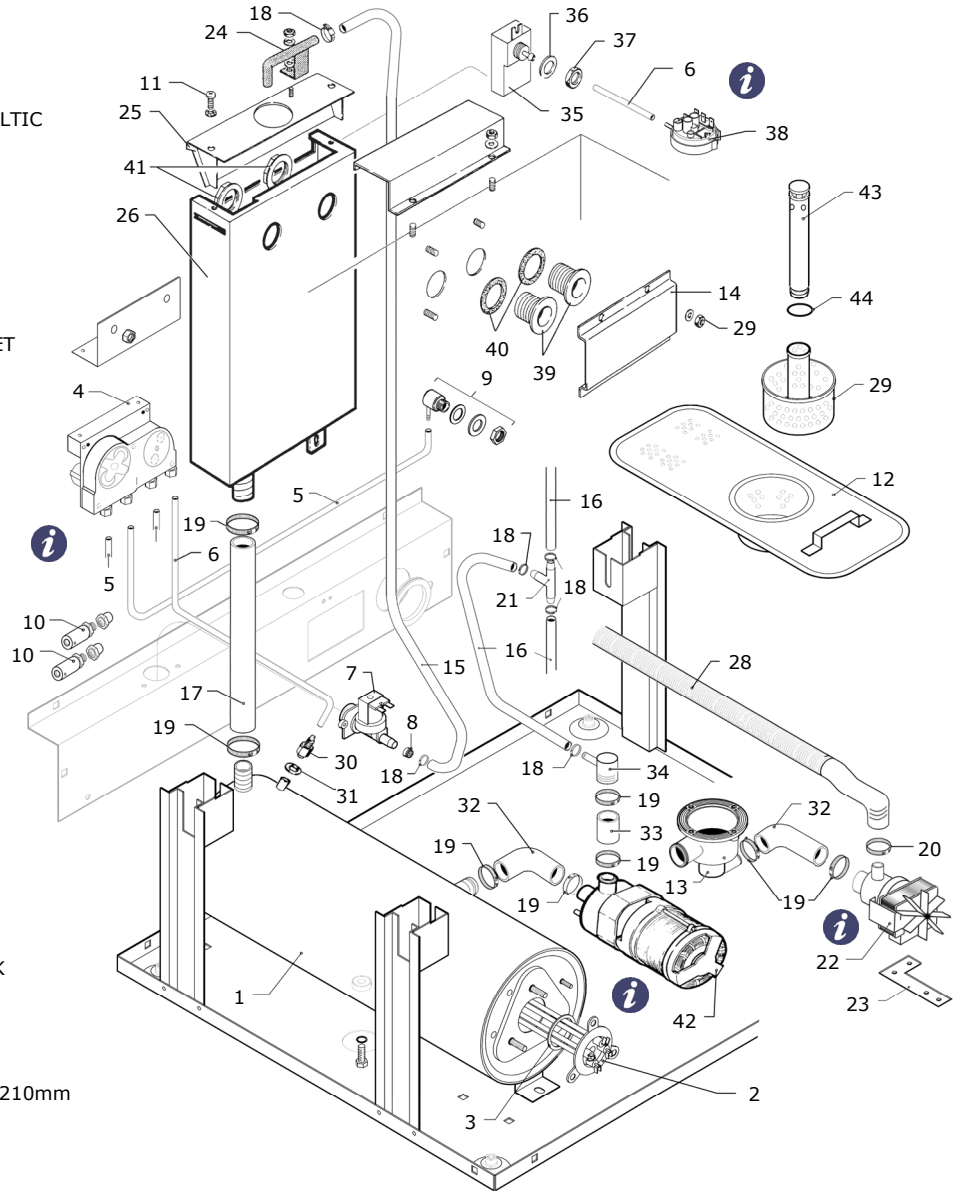
POS	CODE	DESCRIPTION	2007
-----	------	-------------	------

16	905334	SWITCH-ON/OFF-3 PIN-WP-BLUE	
17	905337	SWITCH-WASTE PUMP-BLUE-NON LATCHED-2 PIN	
18	903642	LAMP-AMBER/PUSH FIT	
19	905270	PRESSURE SWITCH-40/20-BREAK TANK	
20	907174	TIMER ELECTRONIC & RELAY BOARD-6*-WASTE PUMP	



POS CODE DESCRIPTION 2007

1	900363	BOILER-TYPE "A"
2	905560	ELEMENT-BOILER 4.500 kw+ 0-RING
3	907981	O-RING-BOILER ELEMENT
4	902045	PUMP RINSE AID/DETERGENT-PERISTALTIC
5	907274	TUBE-DETERGENT-RED
6	907279	TUBE-CLEAR-SILICON
7	922390	SOLENOID VALVE-1 WAY-8ltr / MIN
8	922391	RESTRICTOR VALVE-8ltr / MIN
9	902366	ELBOW-FITTING-DETERGENT
10	906621	WEIGHT/FILTER UNIT-COMBINED
11	907862	SCREW BOLT-FIXING
12	904471	FILTER SURFACE-S/STEEL-BOWL
13	905255	HOUSING-SUMP-PUMP & WASTE OUTLET
14	900024	COVER-BREAK TANK-OUTLET
15	907295	HOSE-RINSE 12x19.5
16	907360	HOSE-RINSE 10x17
17	903675	HOSE-BREAK TANK HOSE
18	902440	CLIP 13-20/SIZE 20
19	902460	CLIP 26-38/SIZE 38
20	902454	CLIP 19-28/SIZE 28
21	905382	TEE-HOSE RINSE HOSE/EQUAL TEE
22	902346	PUMP-WASTE-ANTI AIR LOCK
23	906997	BRACKET-WASTE PUMP FIXING
24	900002	TAP-OUTLET-BREAK TANK
25	900001	COVER-BREAK TANK-TOP
26	900000	BREAK TANK
27	900024	COVER-BREAK TANK-OUTLET
28	907439	HOSE-WASTE-D=18.5 L=2000
29	904469	FILTER BOWL-HOLE FOR DRAIN PLUG
30	909069	VALVE-NON RETURN-RINSE AID
31	903400	GASKET-FIBER-NRV
32	903713	HOSE-INLET-R.B.P
33	903714	HOSE-OUTLET-R.B.P
34	901651	ELBOW-REDUCING-RBP-S/STEEL
35	907252	AIR TRAP H=90-BREAK TANK
36	903260	GASKET-AIR TRAP 3/8"
37	902100	NUT 3/8"
38	905270	PRESSURE SWITCH-40/20-BREAK TANK
39	TR1234	HOUSING OVERFLOW-BREAK TANK
40	903325	GASKET-HOUSING OVERFLOW
41	902080	NUT-HOUSING
42	902235	PUMP 0.20 kw-RINSE BOOSTER PUMP
43	927303	DRAIN PLUG-WP-HOLES + O-RING H=210mm
44	904404	O-RING-DRAIN PLUG/PLASTIC

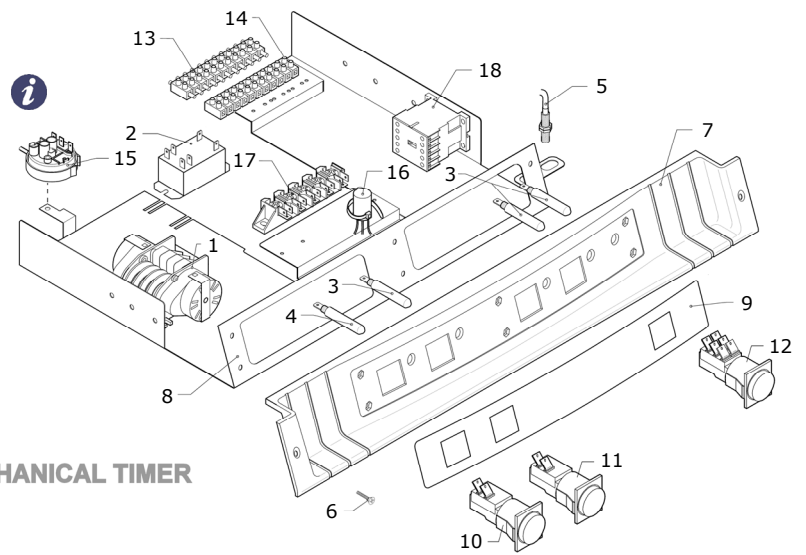


DC50/DC700

FIG. 9

POS CODE DESCRIPTION 2007

1	907182	TIMER UNIT-2 + 3 MINUTE
2	909068	RELAY-6 PIN 250v/WHITE
3	903642	LAMP-AMBER/PUSH FIT
4	903641	LAMP-GREEN/PUSH FIT
5	TR0309	SWITCH-REED MAGNETIC-SENSOR
6	907844	SCREW BOLT-M5x10
7	929422	PANEL-CONTROL-PLASTIC FACIA
8	929379	PANEL-CONTROL
9	907091	PANEL-FACIA/GRAFIX
10	905325	SWITCH-ON/OFF-2 PIN-BLUE
11	905332	SWITCH-CYCLE START-BLUE
12	905329	SWITCH-TIME SELECT-6 PIN-BLUE
13	904200	TERMINAL BLOCK 10 POLE-M
14	904170	TERMINAL BLOCK 10 POLE-F
15	905283	PRESSURE SWITCH-65/9.5
15	905275	PRESSURE SWITCH-35/90
16	902105	NOISE FILTER-SUPPRESSOR
17	904150	TERMINAL BLOCK-MAINS-6 POLE
18	907045	CONTACTOR 9a /250 v



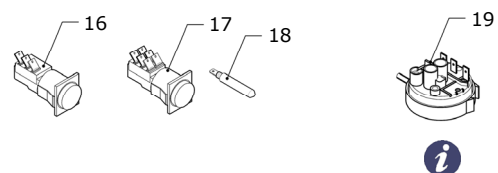
MECHANICAL TIMER

DC50-WP/DC700-A,WP

FIG. 10

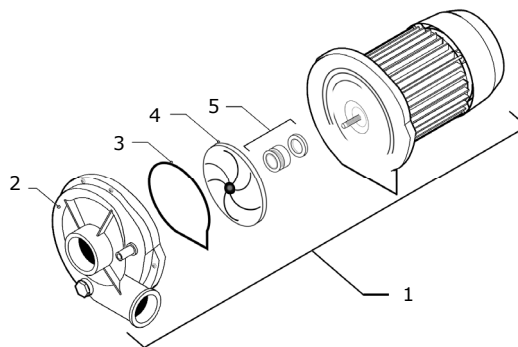
POS CODE DESCRIPTION 2007

16	905334	SWITCH-ON/OFF-3 PIN-WP-BLUE
17	925341	SWITCH-WASTE PUMP-BLUE-NON LATCHED-6 PIN
18	903642	LAMP-AMBER/PUSH FIT
19	905270	PRESSURE SWITCH-40/20-BREAK TANK



POS CODE DESCRIPTION 2007

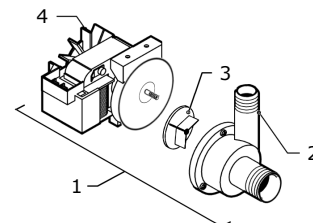
- 1 902304 PUMP WASH-0.60 kw
- 2 902304A IMPELLOR HOUSING
- 3 902304B SEAL-IMPELLOR HOUSING
- 4 902304C IMPELLOR
- 5 902304D SEAL-INNER SHAFT



DC50/DC700 WASTE PUMP-PARTS

POS CODE DESCRIPTION 2007

- 1 902346 PUMP-WASTE-ANTI AIR LOCK-BLACK
- 2 922338 IMPELLOR HOUSING-WASTE PUMP-TOP EXIT
- 3 922337 IMPELLOR-WASTE PUMP
- 4 920031 FAN-WASTE PUMP

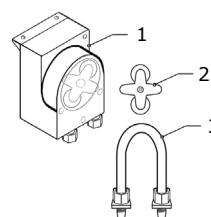


DC50/DC700 SINGLE PERISTALTIC PUMP-PARTS

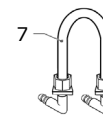
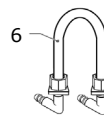
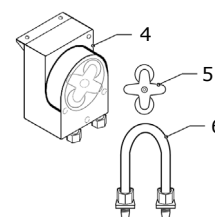
POS CODE DESCRIPTION 2007

- 1 922344 PUMP RINSE AID-PERISTALTIC-G302 / GREEN
- 2 920091 ROTOR-PUMP-RINSE AID-GERMAC-G302
- 3 908323 PERISTALTIC TUBE RINSE AID-GERMAC-G302
- 4 922340 PUMP DETERGENT-PERISTALTIC-G300 / GREEN
- 5 920090 ROTOR-PUMP-DETERGENT-GERMAC-G300
- 6 907287 PERISTALTIC TUBE-PUMP DETERGENT-GERMAC-G300

PUMP RINSE AID



PUMP DETERGENT



RINSE AID REAR FACING TAG TIED FITTING

DETERGENT REAR FACING TAG TIED FITTING

DC50/DC700 SINGLE PERISTALTIC PUMP-PARTS

POS CODE DESCRIPTION 2007

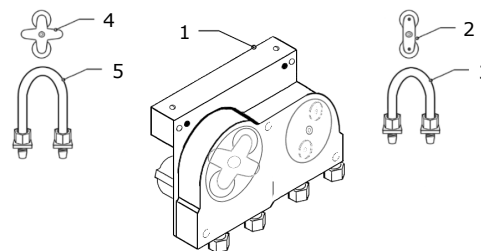
- 6 928323 PERISTALTIC TUBE RINSE AID-REAR FACING-GERMAC-G302E
- 7 927287 PERISTALTIC TUBE-PUMP DETERGENT-REAR FACING-GERMAC-G300E

DC50/DC700 DUEL PERISTALTIC PUMP-PARTS

POS CODE DESCRIPTION 2007

- 1 902045 PUMP RINSE AID/DETERGENT-DUEL PERISTALTIC-G650 / BLACK
- 2 907289 ROTOR-PUMP-RINSE AID-GERMAC-DUEL-G650
- 3 908328 PERISTALTIC TUBE RINSE AID-GERMAC-DUEL-G650
- 4 920090 ROTOR-PUMP-DETERGENT-GERMAC-G650
- 5 908329 PERISTALTIC TUBE-DETERGENT-GERMAC-G650

PUMP RINSE AID & DETERGENT DUEL

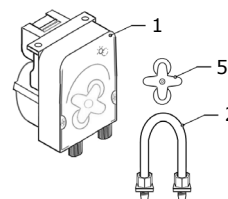


DC50/DC700 SINGLE PERISTALTIC PUMP-PARTS

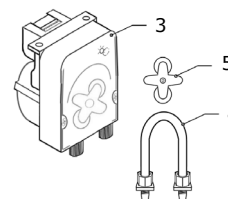
POS CODE DESCRIPTION 2007

- 1 902344 PUMP RINSE AID-PERISTALTIC-SEKO
- 2 907277 PERISTALTIC TUBE-PUMP-RINSE AID-SEKO
- 3 902340 PUMP DETERGENT-PERISTALTIC-SEKO
- 4 907276 PERISTALTIC TUBE-PUMP-DETERGENT-SEKO
- 5 907281 ROTOR-SEKO RINSE AID & DETERGENT PUMP

RINSE AID PUMP-PERISTALTIC SEKO



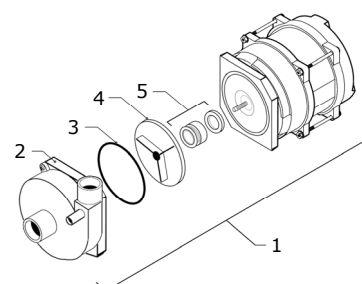
DETERGENT PUMP-PERISTALTIC SEKO



DC50/DC700 RINSE BOOSTER PUMP-PARTS

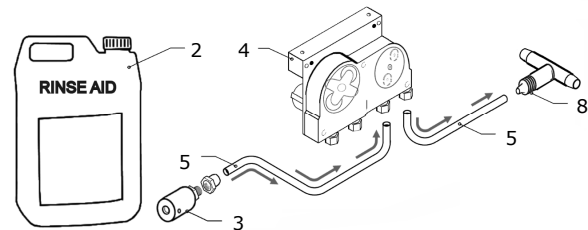
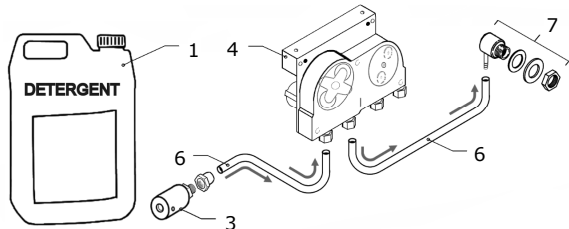
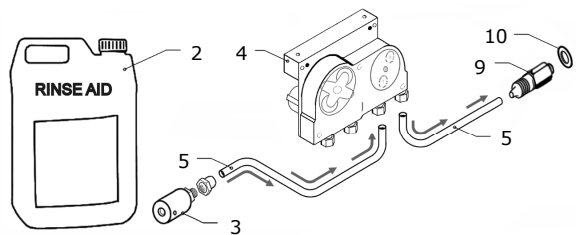
POS CODE DESCRIPTION 2007

- 1 902235 RINSE BOOSTER PUMP-BLUE HEAD-020 kw
- 2 902235A IMPELLOR HOUSING
- 3 902235B SEAL-IMPELLOR HOUSING
- 4 902235C IMPELLOR
- 5 902235D SEAL-INNER SHAFT



POS CODE DESCRIPTION

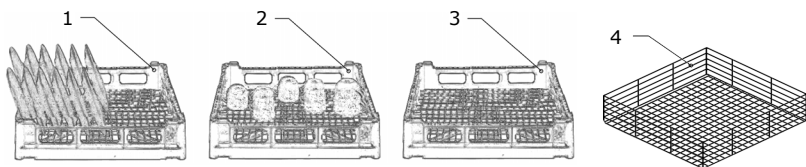
1	D1011	DETERGENT-DC SERIES 5LTR
2	D1008	RINSE AID-DC SERIES 5LTR
3	906621	WEIGHT/FILTER UNIT-NRV-COMBINED
4	902045	PUMP RINSE AID/DETERGENT-DUEL-G650
5	907279	TUBE-CLEAR-SILICON
6	907274	TUBE-DETERGENT-RED
7	902366	ELBOW-FITTING-DETERGENT
8	908150	TEE-RINSE AID-NON RETURN VALVE
9	920060	VALVE-NON RETURN-RINSE AID
10	920061	GASKET-FIBER-VALVE-NON RETURN



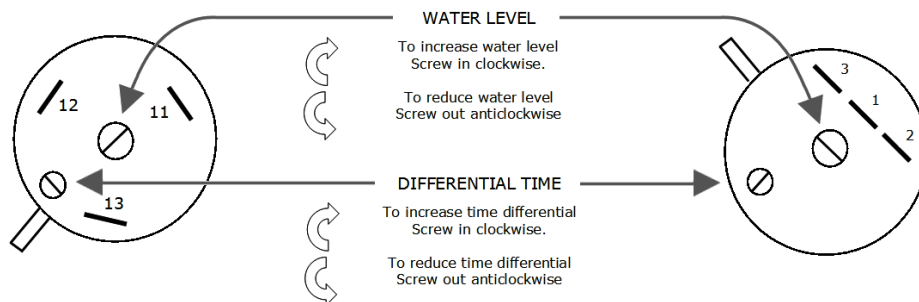
DC50/DC700 BASKETS

POS CODE DESCRIPTION

1	901500	BASKET-DISH-PLASTIC-500x500x100
2	901510	BASKET-CUP-PLASTIC-500x500x100
3	901511	BASKET-CUTLERY-PLASTIC-500x500x100
4	901400	BASKET-GLASS-WIRE-500x500



DC50/DC700 PRESSURE SWITCH ADJUSTMENT



DC50/DC700 CONTROL PANEL LAYOUT



DC50/DC700 MACHINE IDENTIFICATION

Model & Serial numbers, Power ratings & Manufactures date can be found on the identification plate located on the right side panel & inside the lower front panel.

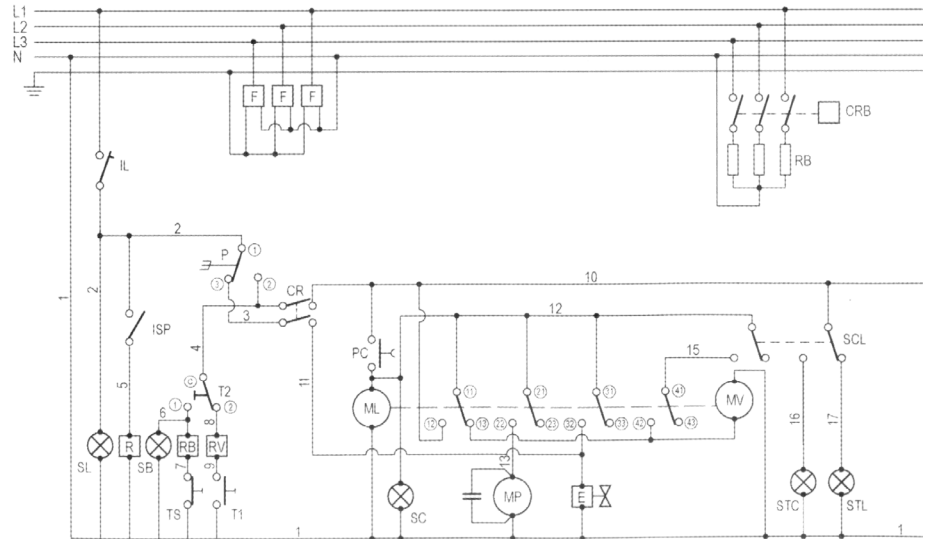
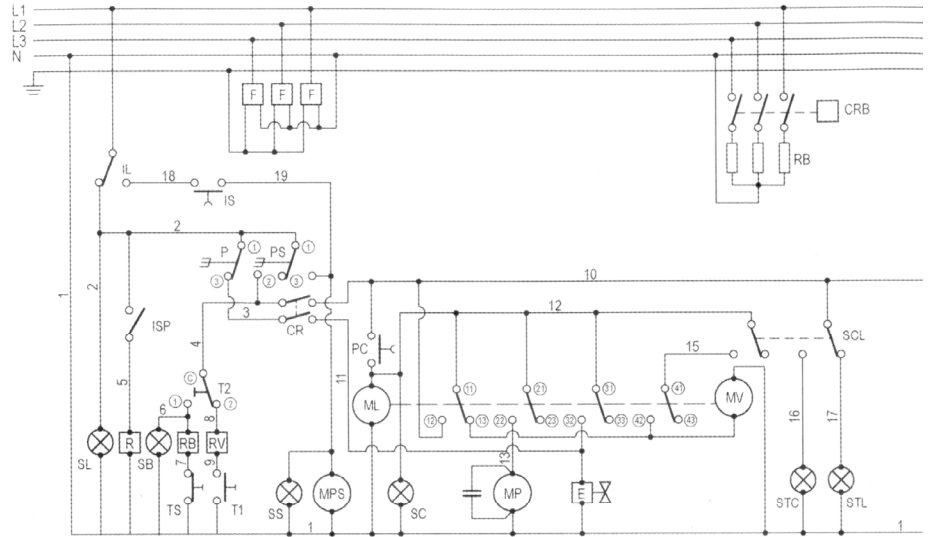


DIRECT CATERING PRODUCTS
NORTHLOAD HOUSE
BRISTOL BS28 4SY UK

MODEL: DC50 / DC700	WATT:
VOLT:240/1~50 HZ	
DATE:01/01/07	
SERIAL NUMBER:10000	

CE

- CR DOOR MICRO SWITCH CONTACT
- CRB CONTROL SWITCH CONTACT
- E SOLENOID VALVE
- F NOISE FILTER-SUPPRESSOR
- IL LINE SWITCH
- ISP DOOR SAFTY REED SWITCH
- IS WASTE PUMP SWITCH
- ML TIMER-3 MINS MOTOR
- MP WASH PUMP MOTOR
- MV ADVANCE TIMER MOTOR
- MPS WASTE PUMP MOTOR
- P PRESSURE SWITCH
- PC CYCLE SWITCH
- PS WASTE PUMP
- R DOOR SWITCH RELAY
- RB BOILER ELEMENT
- RV WASH TANK ELEMENT
- SB BOILER READY LAMP
- SC CYCLE LAMP
- SS WASTE PUMP LAMP
- SCL WASH CYCLE SELECTOR SWITCH
- SL ON/OFF LAMP
- STC 2 MIN CYCLE LAMP (OPTION)
- STL 3 MIN CYCLE LAMP
- T1 THERMOSTAT-WASH TANK
- T2 THERMOSTAT-BOILER
- TS THERMOSTAT-SAFTY-OVERLOAD



PIN	FUNCTION			907174	907175	907177
P1	DOOR REED SWITCH	PERMANENT INPUT	230V/240V 50-60HZ	X	X	X
P7	POWER ON / DOOR REED SWITCH	PERMANENT INPUT	230V/240V 50-60HZP	X	X	
P10	PRESSURE SWITCH	PERMANENT INPUT	230V/240V 50-60HZ	X	X	X
P11	POWER SUPPLY		230V/240V 50-60HZ	X	X	X
P12	POWER SUPPLY		230V/240V 50-60HZ	X	X	X
P13	WASTE PUMP	RELAY 4 / 10 AMPS	230V/240V 50-60HZ 100W	X	X	X
P14	SOLINOID AND PERISTALTICS	RELAY 2 / 10 AMPS	230V/240V 50-60HZ 5W	X	X	X
P15	REGENERATION SOLONOID	RELAY 3 / 10 AMPS	230V/240V 50-60HZ 5W	X		
P15	RINSE BOOSTER PUMP	RELAY 2 / 10 AMPS	230V/240V 50-60HZ 200W	X		X
P16	WASH PUMP	RELAY 1 / 10 AMPS	230V/240V 50-60HZ 1 HP	X	X	X
P17	REGENERATION LAMP	TC1	230V/240V 50-60HZ 0.5W	X		
P18	WASHING CYCLE LAMP	TC2	230V/240V 50-60HZ 0.5W	X	X	X
P20	INPUT WASH CYCLE	60 SEC 0.5 SEC INPUT	230V/240V 50-60HZ	X	X	X
P21	INPUT WASH CYCLE	75 SEC 0.5 SEC INPUT	230V/240V 50-60HZP	X		X
P22	INPUT WASH CYCLE	90 SEC 0.5 SEC INPUT	230V/240V 50-60HZ	X		
P23	INPUT WASH CYCLE	120 SEC 0.5 SEC INPUT	230V/240V 50-60HZ	X	X	X
P24	INPUT WASH CYCLE	150 SEC 0.5 SEC INPUT	230V/240V 50-60HZ	X		
P25	INPUT WASH CYCLE	180 SEC 0.5 SEC INPUT	230V/240V 50-60HZ	X	X	X
P26	INPUT REGENERATION CYCLE	1 SEC INPUT	230V/240V 50-60HZ	X		

P.C.B TIMER

ID & CODE

