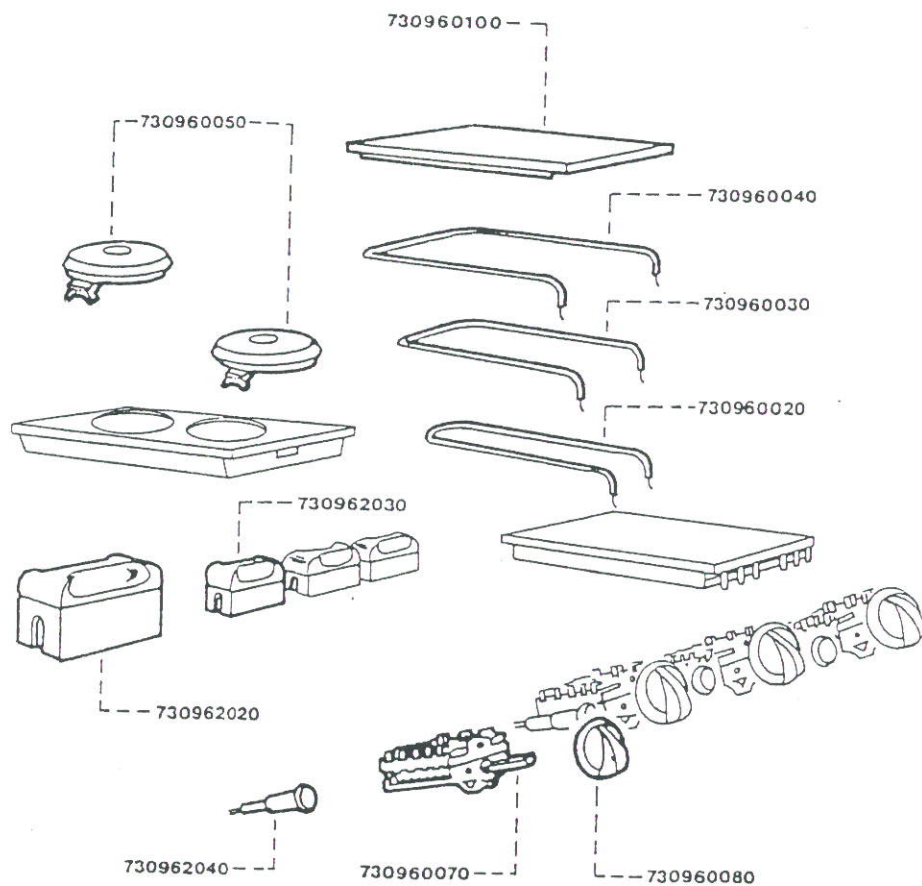


Code	No.	Description	Code	No.	Description
9L	730960010	Rect. Hotplate Complete	1F	730963031	Outer Side—Left Hand; Black
1E	730960090	Hob Filling	1F	730963041	Outer Side—Right Hand; Black
7F	730960100	Hotplate Casting Only	9B	730963050	Leg c/w Adjustable Foot
6F	730960110	Round Hotplate Assembly	12K	730963062	Door Assembly—Left Hand
3E	730960120	Top Drip Trays	12K	730963072	Door Assembly—Right Hand
1F	730961190	Front Hob Rail	5D	730963092	Control Panel
7F	730961200	Rear Hob Rail	10C	730963121	Side Drip Shed
8B	730962150	Door Catch	12C	730963160	Cheek—Left Hand
6B	730962160	Door Catch Keeper	12C	730963170	Cheek—Right Hand
2B	730962170	Door Handle c/w Gaskets	1E	730963180	Oven Grid Shelf
7D	730962183	Door Seal Set	10C	730963190	Oven Shelf Hanger
5C	730962190	Hinge — Top Left Hand	6A	730963200	Oven Hanger Bracket
5C	730962200	Hinge — Top Right Hand			
5C	730962210	Hinge — Bottom Left Hand			
5C	730962220	Hinge — Bottom Right Hand			
3E	730962230	Oven Drip Tray			
2D	730962250	Oven Bottom Plate			
5G	730963012	Outer Side — Left Hand; s/s			
	730963022	Outer Side — Right Hand; s/s			

Sheet Reference Number

E1100/1182/003





Code	No.	Description
6E	730960020	Inner Hotplate Element
8E	730960030	Intermediate Hotplate Element
10E	730960040	Outer Hotplate Element
5E	730960050	Round Hotplate
8C	730960070	Control Switch
1B	730960080	Control Knob
7F	730960100	Hotplate (Casting only)
11C	730962020	30 amp Fuse Assembly
9C	730962030	20 amp Fuse Assembly
7B	730962040	Pilot Lamp (Amber)
	531740450	(RED)

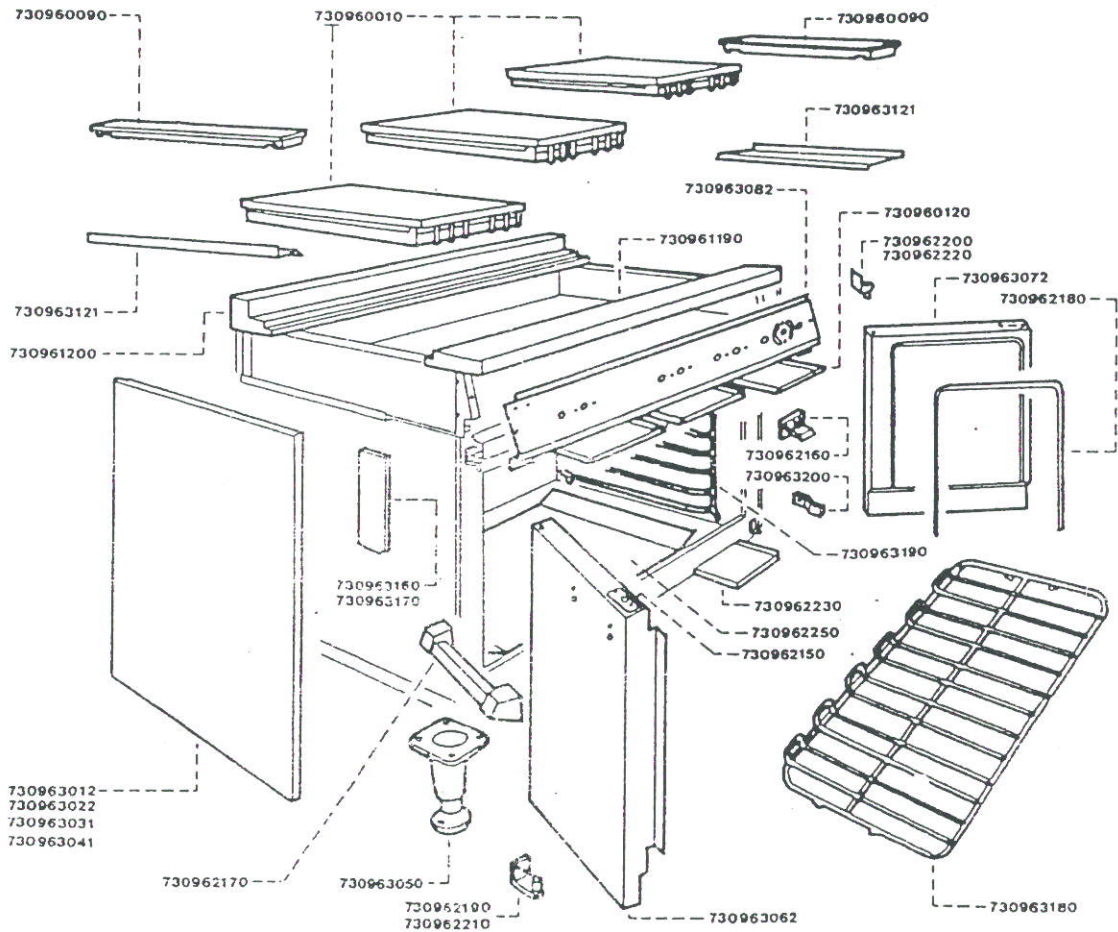
Sheet Reference Number

E1100/1182/004



E1100 DOMINATOR SERIES

(2)
3 Hotplate
Fitment



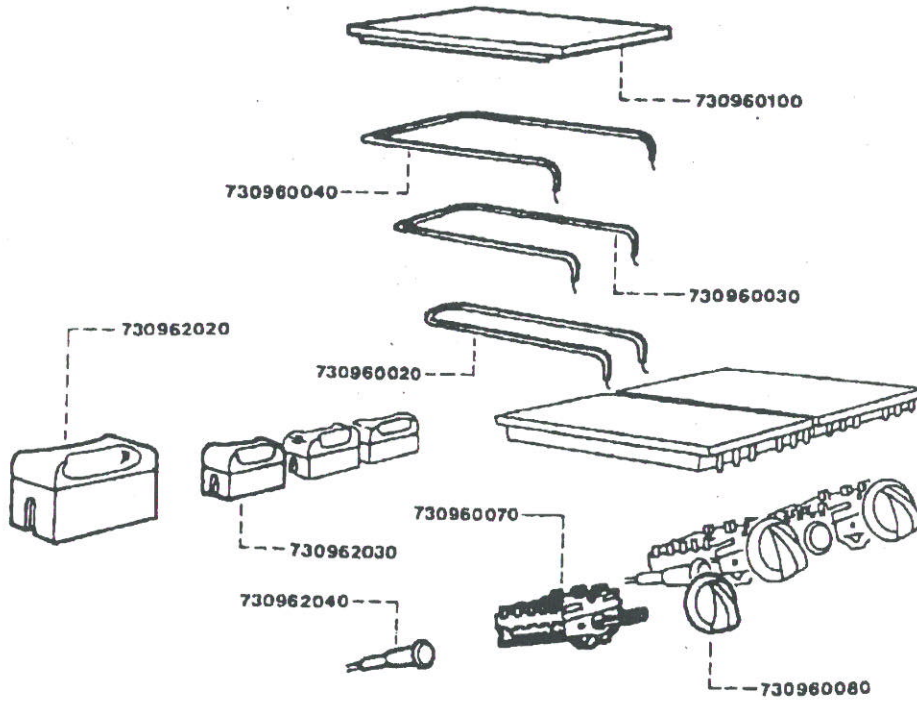
Code	No.	Description
	730960150	HOT PLATE CLAMP
9L	730960010	Hotplate Assembly (Complete)
1E	730960090	Hob Filling
3E	730960120	Top Drip Trays
1F	730961190	Front Hob Rail
7F	730961200	Rear Hob Rail
8B	730962150	Door Catch
6B	730962160	Door Catch Keeper
2B	730962170	Door Handle c/w Gaskets
7D	730962183	Door Seal Set
5C	730962190	Hinge — Top Left Hand
5C	730962200	Hinge — Top Right Hand
5C	730962210	Hinge — Bottom Left Hand
5C	730962220	Hinge — Bottom Right Hand
3E	730962230	Oven Drip Tray
2D	730962250	Oven Bottom Plate
5G	730963012	Outer Side — Left Hand; s/s
5G	730963022	Outer Side — Right Hand; s/s
1F	730963031	Outer Side — Left Hand; Black

Code	No.	Description
1F	730963041	Outer Side — Right Hand; Black
9B	730963050	Leg c/w Adjustable Foot
12K	730963062	Door Assembly — Left Hand
12K	730963072	Door Assembly — Right Hand
5D	730963082	Control Panel
10C	730963121	Side Drip Shed
12C	730963160	Cheek — Left hand
12C	730963170	Cheek — Left Hand
1E	730963180	Oven Grid Shelf
10C	730963190	Oven Shelf Hanger
6A	730963200	Oven Hanger Bracket

Sheet Reference Number

E1100/1182/001





Code	No.	Description
6E	730960020	Inner Hotplate Element
8E	730960030	Intermediate Hotplate Element
10E	730960040	Outer Hotplate Element
8C	730960070	Control Switch
1B	730960080	Control Knob
7F	730960100	Hotplate (Casting only)
11C	730962020	30 amp Fuse Assembly
9C	730962030	20 amp Fuse Assembly
7B	730962040	Pilot Lamp (Amber)

730962250 CERAMIC TERMINAL BLOCK (4-WAY)

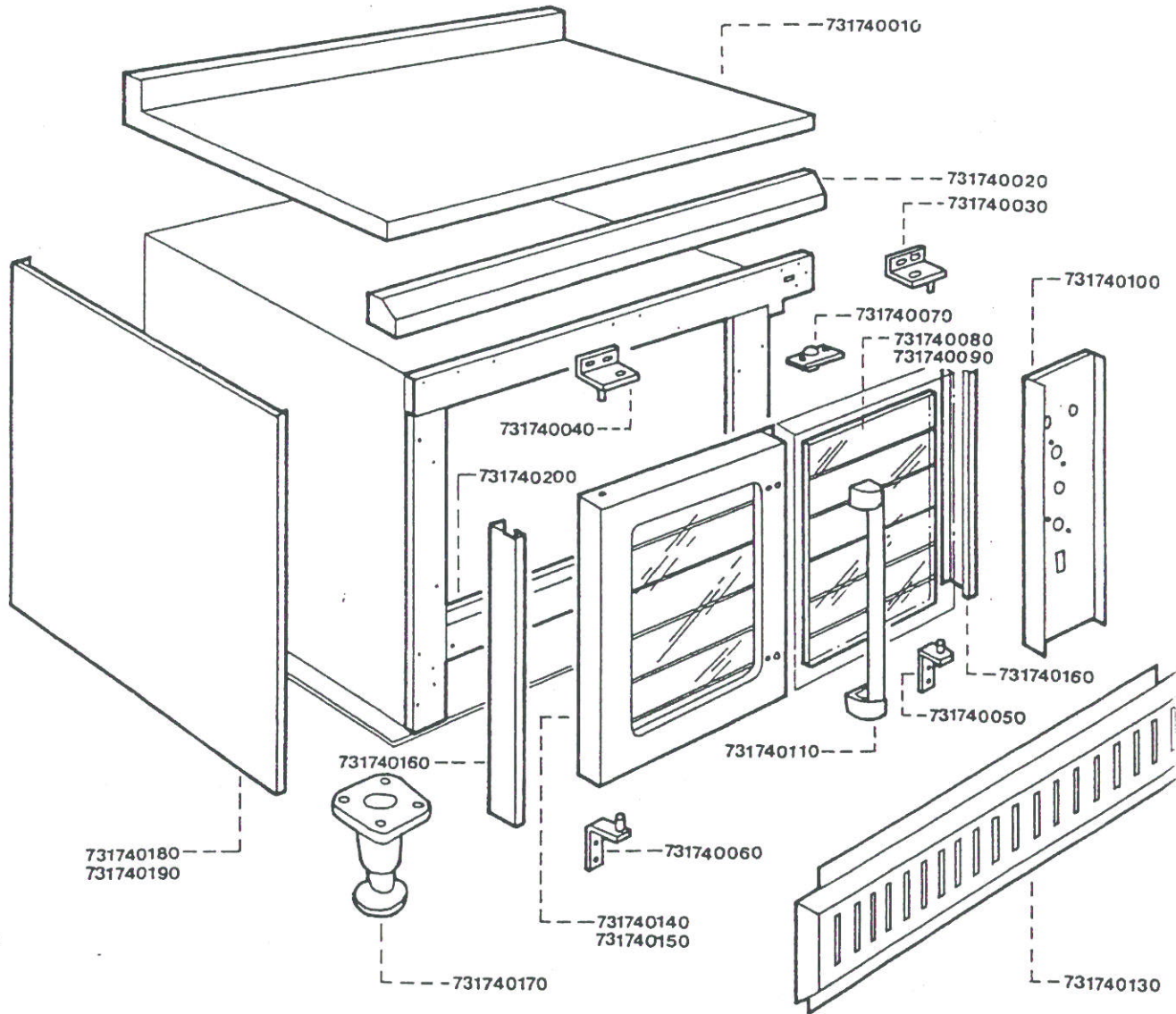
730960150 ELEMENT CLAMP PLATE.

Sheet Reference Number

E1100/1182/002

E1112 CONVECTION OVEN

Oven Fitment



Code	No.	Description
11H	731740010	Worktop
1E	731740020	Hinge Cover
2B	731740030	Top Hinge—RH
2B	731740040	Top Hinge—LH
2B	731740050	Bottom Hinge—RH
2B	731740060	Bottom Hinge—LH
8B	731740070	Door Catch
5D	731740080	Door Glass—Clear Inner
7D	731740090	Door Glass—Lined Outer
4D	731740100	Control Panel

Code	No.	Description
*	731740110	Door Handle Assembly
12E	731740130	Bottom Front Grille
12J	731740140	Door Assembly—RH
11J	731740150	Door Assembly—LH
4B	731740160	Front Vertical Trim
9B	731740170	Adjustable Leg c/w Foot
2F	731740180	Outer Side Panel RH
2F	731740190	Outer Side Panel LH
9H	731740200	Front Frame

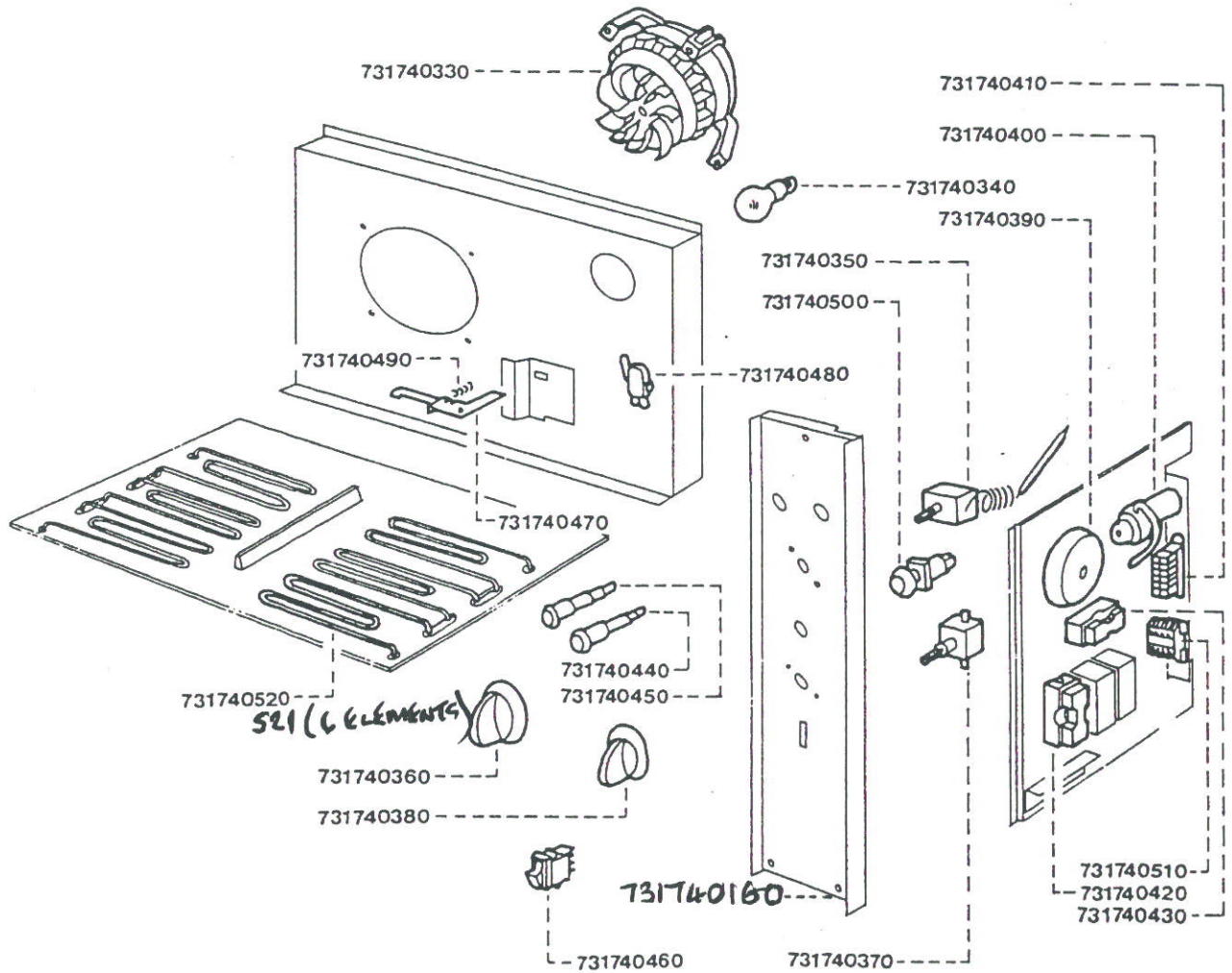
531740302 - Set of door seals c/w clips.

Sheet Reference Number

E1112/0583/001

E1112 CONVECTION OVEN (E1102 SAME)

Over
Electric



Code	No.	Description
6N	731740330	Fan Motor
4B	731740340	Oven Lamp
8E	731740360	Thermostat
6B	731740360	Control Thermostat Knob
11E	731740370	Timer
B06	731740380	Timer Knob
11C	731740390	Bell
2E	731740400	Capacitor
5F	731740410	Transformer
3A	731740420	Fuse 20A

731740481 - PRESSURE SWITCH

Code	No.	Description
3A	731740430	Fuse 5A
7B	731740440	Indicator Lamp - Amber
7B	731740450	Indicator Lamp - Red
3C	731740460	Power ON/OFF Switch
5C	731740470	Trip Lever
10C	731740480	Microswitch
4C	731740490	Spring
10C	731740500	Oven Lamp Switch
10G	731740510	Contactor
F12	731740520	Element

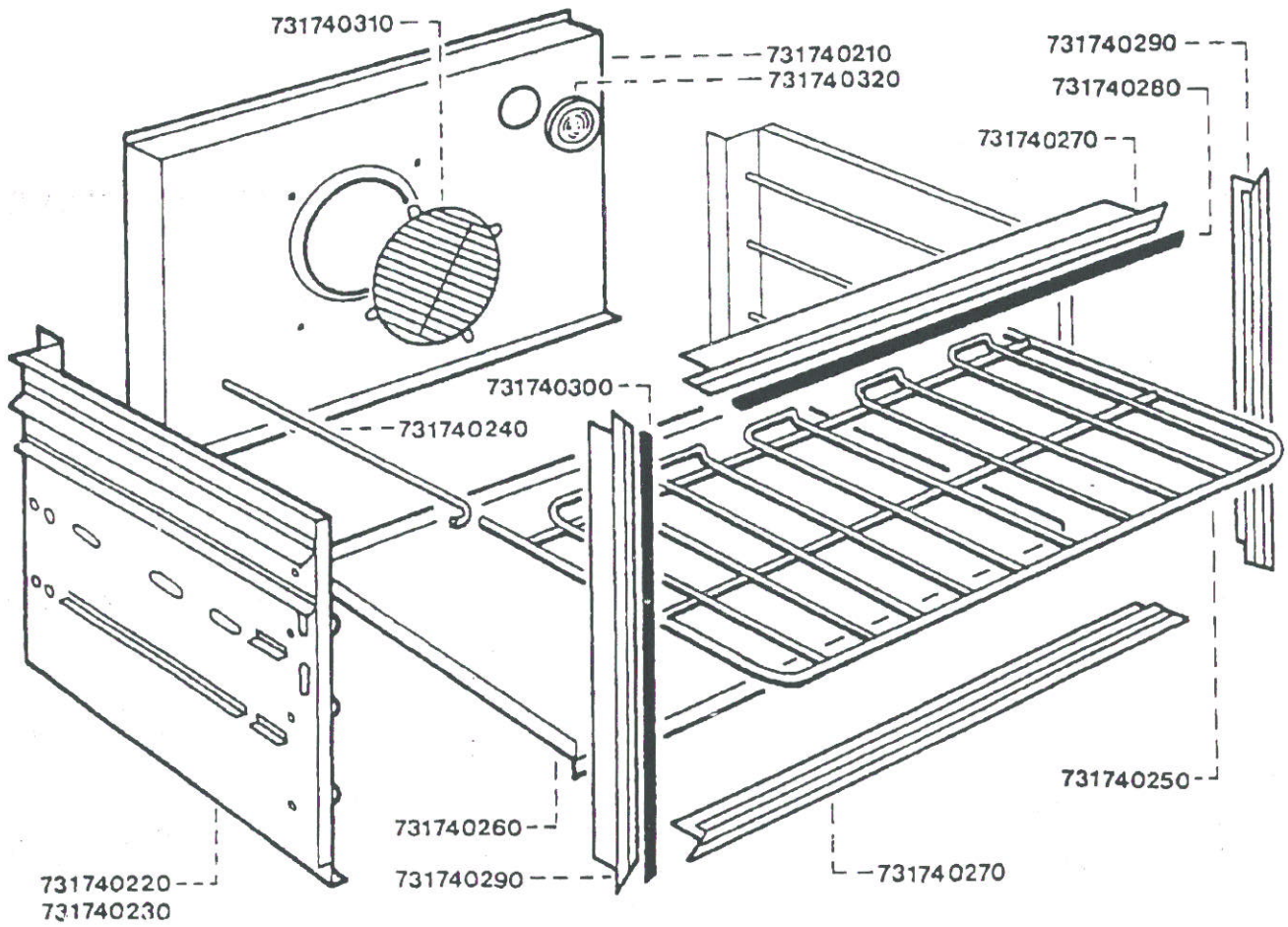
731740521 - SET OF 6 ELEMENTS

Sheet Reference Number:

E1112/0583/003

E1112 CONVECTION OVEN

Inner Oven Fitments



Code	No.	Description
12F	731740210	Oven Back Panel
7F	731740220	Oven Side Panel RH
7F	731740230	Oven Side Panel LH
9C	731740240	Shelf Runner
E02	731740250	Grid Shelf
7F	731740260	Oven Bottom Panel
2C	731740270	Horizontal Door Seal Trim
4C	731740280	Horizontal Door Seal
5C	731740290	Vertical Door Seal Trim
3C	731740300	Vertical Door Seal
7D	731740310	Fan Guard
8D	731740320	Oven Lamp Glass

Sheet Reference Number

E1112/0583/002