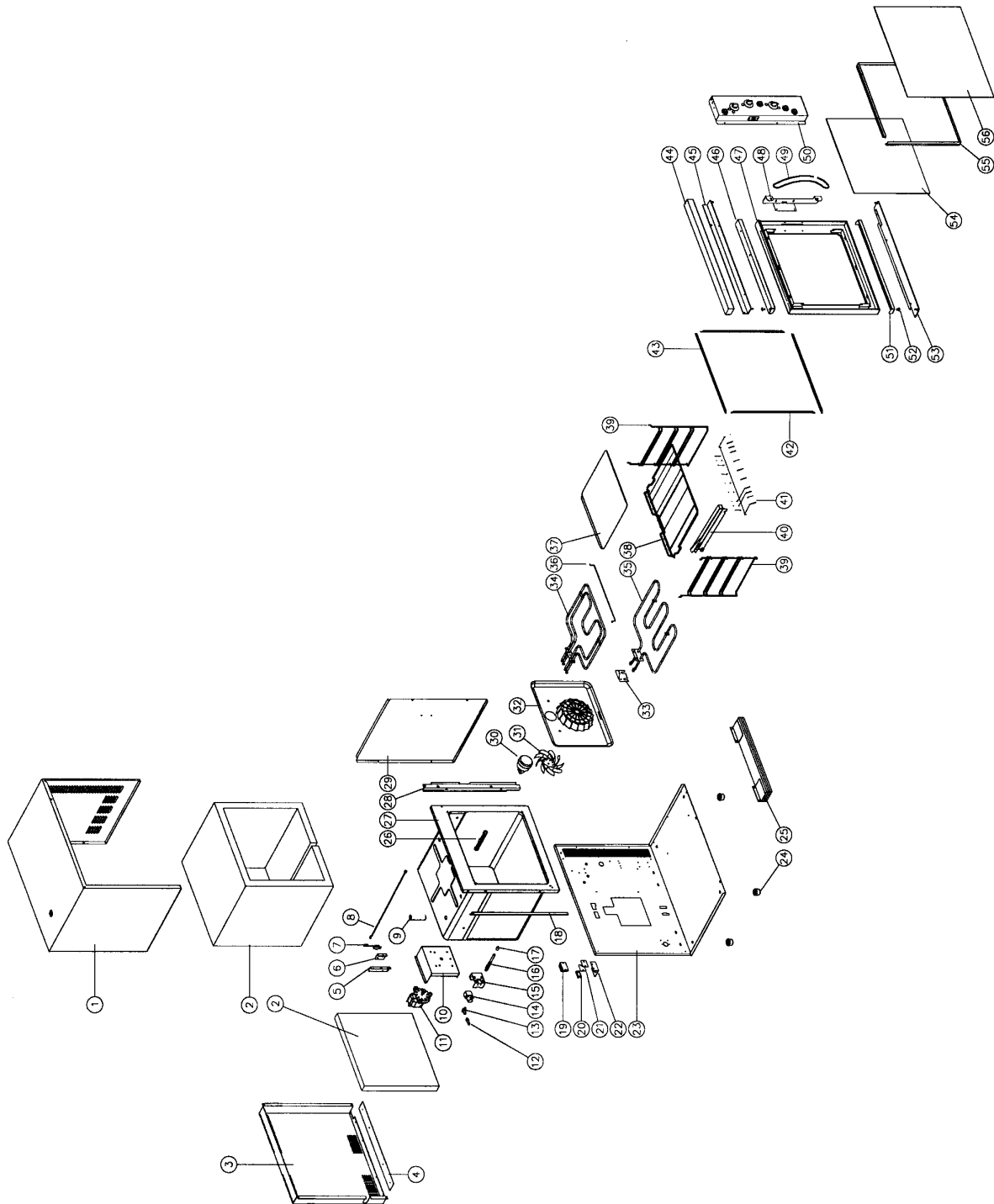


# 11. PARTS DIAGRAMS

## 11.1 MAIN ASSEMBLY

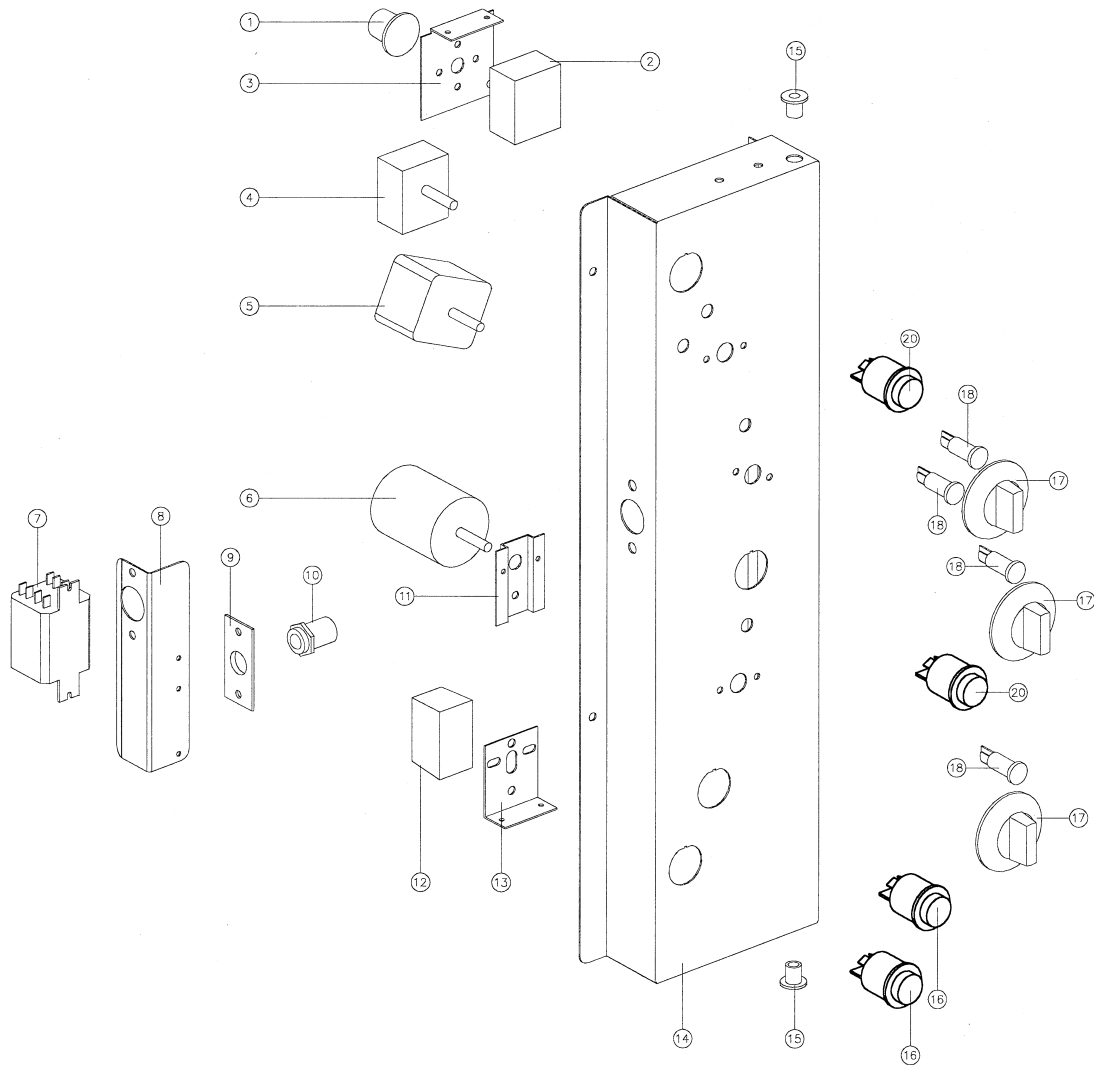


Pos	Part No.	Description
1	021533	WRAPPER
2	090406	INSULATION
3	013011	COVER PANEL
4	013012	COVER PANEL PLATE
5	011412	MICROSWITCH BRACKET
6	011389	MICROSWITCH INSULATOR
7	002990	MICROSWITCH
8	003012	ACTUATOR ROD
9	011414	VENT TUBE
10	003016	MOTOR MOUNTING PLATE
11	013431K	MOTOR
12	012782	HOSE CONNECTOR
13	011634	ELBOW
14	012781	SOLENOID VALVE
15	019208	SOLENOID MOUNTING BRACKET
16	012784	SOLENOID EXTENSION
17	012785	INJECTOR
18	011404	L.H OVEN SUPPORT
19	013586	TERMINAL BLOCK
20	002138	CABLE CLAMP
21	002441	INSULATOR
22	018251	CABLE ENTRY CLAMP BRACKET
23	013053	BODY
24	013048	LEG - 4" <b>(100 mm)</b>
	013908	FOOT ASSEMBLY - 1" <b>(25 mm)</b>
25	004594	COUNTERWEIGHT <b>(UK ONLY)</b>
26	017770	PHIAL GUARD
27	004004	OVEN INNER
28	011413	R.H OVEN SUPPORT
29	011407	SIDE INSULATION PANEL
30	013520	OVEN LIGHT ASSEMBLY
	003434	SILK GASKET
	013521	LAMP 40W
	003002	LIGHT GLASS
31	013432	FAN
32	004005	FAN BAFFLE <b>(ALL MARKETS EXCEPT UK)</b>
	004595	FAN BAFFLE <b>(UK ONLY)</b>
33	003123	BAFFLE BRACKET
34	003113	TOP ELEMENT 208 - 220V
	011604	TOP ELEMENT 230 - 240V
35	003074	BOTTOM ELEMENT 230 - 240V
	003114	BOTTOM ELEMENT 208 - 220V
36	003219	ELEMENT SUPPORT
37	002083	SCONE TRAY <b>(UK ONLY)</b>
38	012809	OVEN RACK
39	003382	OVEN SIDE RACK <b>(ALL MARKETS EXCEPT USA/CANADA )</b>
	012798	OVEN SIDE RACK <b>(USA/CANADA ONLY)</b>
40	012787	WATER TROUGH
41	003057	BOTTOM ELEMENT GUARD
42	014225	OVEN SEAL ASSEMBLY - VERTICAL
	003028	VERTICAL SEAL - 455mm
43	014226	OVEN SEAL ASSEMBLY - HORIZONTAL
	003038	HORIZONTAL SEAL - 508mm
44	004731	PIVOT COVER - TOP
45	011422	PIVOT SUPPORT - TOP ASSEMBLY
46	021528	TOP TRIM
47	004006	DOOR INNER

---

48	021465	HANDLE BRACKET ( <b>HANDLE ASSEMBLY 021469</b> )
49	021468	HANDLE ( <b>HANDLE ASSEMBLY 021469</b> )
50	-----	CONTROL ASSEMBLY ( <b>SEE SECTION 1.2.1</b> )
51	021530	BOTTOM TRIM
52	013610	DOOR BUSH ( <b>ALSO USED ON CONTROL PANEL PIVOT</b> )
53	011424	PIVOT SUPPORT - BOTTOM ASSEMBLY
54	002340	DOOR INNER GLASS
	090200	SILICON EXTRUSION - 1.74M
55	004452	DOOR GLASS CLAMP ANGLE
56	021444	DOOR OUTER GLASS
	090225	SILICON EXTRUSION - 0.96M

## 11.2 CONTROL PANEL ASSEMBLY



---

Pos	Part No.	Description
1	018224	HOLD THERMOSTAT KNOB
2	018223	HOLD THERMOSTAT
3	021538	HOLD THERMOSTAT BRACKET ( <b>AFFIX 018209 LABEL</b> )
4	017121	THERMOSTAT 50-300 °C
5	011760	TIMER - 1 Hr
6	011419	TIMER - 3 Hr ( <b>240V 50 Hz</b> )
	011983	TIMER - 3 Hr ( <b>240V 60 Hz</b> )
7	022281	CONTACTOR
	022282	CONTACTOR KIT (REPLACES 22199 & 21491 RELAYS) (PRE S/N 42473)
8	021536	CONTACTOR BRACKET
9	018789	BALL CATCH PLATE
10	011005	BALL CATCH & LOCKNUT
11	021442	TIMER MOUNTING PANEL
12	011794	BUZZER
13	021537	BUZZER MOUNTING BRACKET
14	004722	CONTROL PANEL BAKBAR °C
	004803	CONTROL PANEL BLUE SEAL °C
	004729	CONTROL PANEL MOFFAT °F
15	013610	DOOR BUSH
16	021474	LIGHT / STEAM SWITCH
17	020823	THERMOSTAT / TIMER KNOBS
18	020849	PILOT LIGHT
19	021476	ROAST 'N' HOLD SWITCH
20	021473	POWER SWITCH