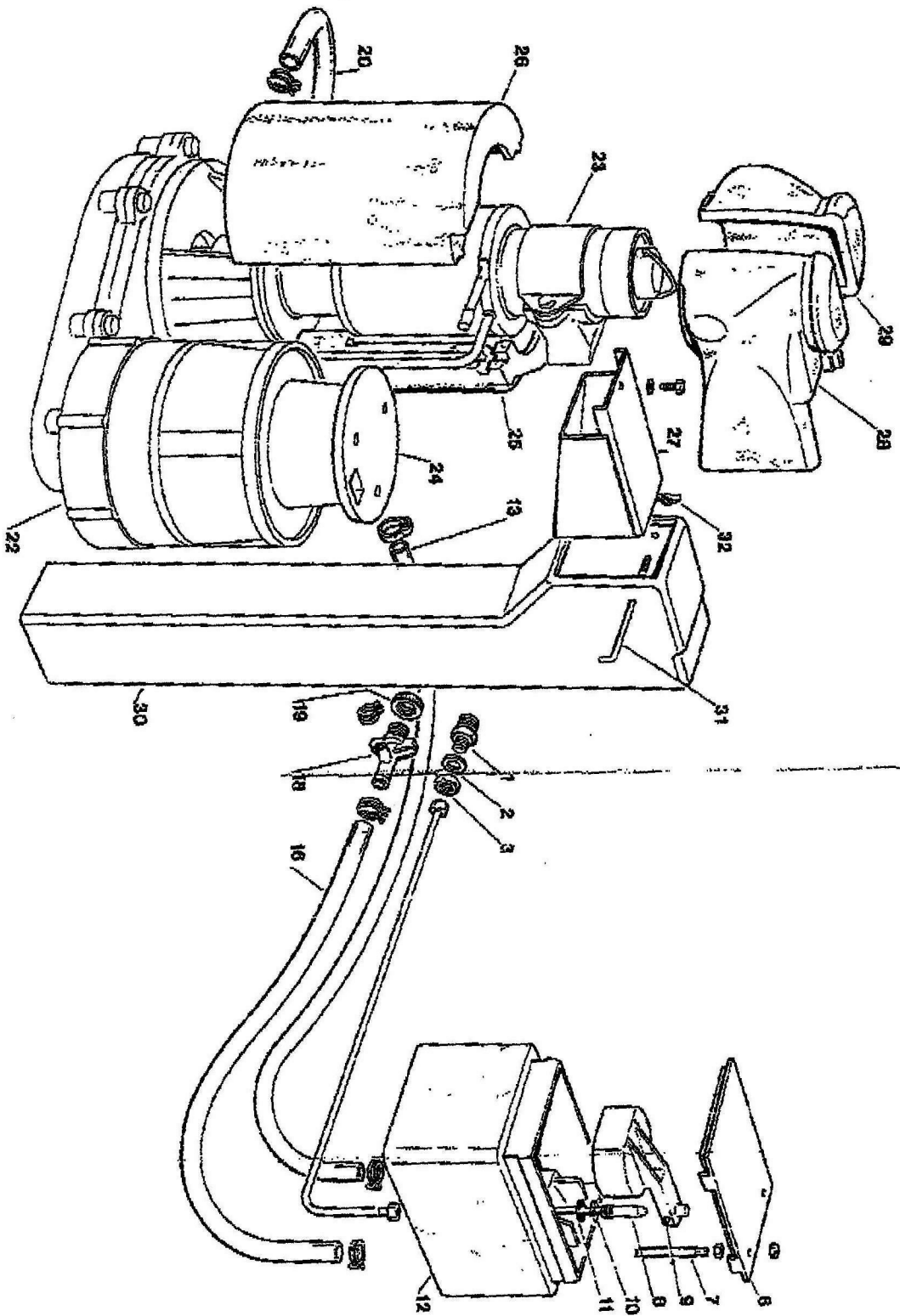


F 100 - F 120 - F 200 - WATER SYSTEM AND INSULATIONS - CIRCUITO IDRAULICO ED ISOLAMENTI
CIRCUIT HYDRAULIQUE ET ISOLATIONS - WASSERKREISLAUF UND ISOLIERUNGE



F 100 - F 120 - F 200 - WATER SYSTEM AND INSULATIONS - CIRCUITO IDRAULICO ED ISOLAMENTI
CIRCUIT HYDRAULIQUE ET ISOLATIONS - WASSERKREISLAUF UND ISOLIERUNGE

ITEM NO POS NO REP NO REF NO	PART NO - CODE REFERENCE - REFERENCE N°	DESCRIPTION	DESCRIZIONE	DESIGNATION	BESCHREIBUNG	
	F 100 - F 120	F 200				
1	CF 739205 00	CF 739205 00	WATER INLET FITTING	RACCORDO INGRESSO ACQUA	RACCORD ARRAVE D'EAU	WASSERHEINLAUFSTUECK
2	CF 400081 00	CF 400081 00	FIBER WASHER	RONDELLA IN FIBRA	RONDELE EN FIBRE	FIBER SCHIIBE
3	CF 400080 01	CF 400080 01	NUT	DADO	BOROU	MUTTER
6	CF 680083 00	CF 680083 00	WATER RESERVOIR COVER	COPRICHIO VASCHETTA	COLMERCLE	BECKENABDECKUNG
7	CF 724215 08	CF 724215 08	WATER LEVEL METAL PIN	PERNO SENSORE LIVELLO ACQUA	DETECTEUR NIVEAU EAU	FÜHLERSTIFT WASSERNEUBAU
8	CF 783153 00	CF 783153 00	NOZZLE	UGELLO	GICQUEUR	VENTILSPÜSE
9	CF 783127 00	CF 783127 00	FLOAT VALVE ASSY	ASS. GALLEGGIANTE	ENS. VANNE A FLOTTEUR	SCHWIMMERVENTIL-EINHEIT
10	CF 480088 02	CF 480088 02	CLIP RING	ANELLO SERGER	GRUCLAP	RING
11	CF 640100 00	CF 640100 00	O RING	GLAMINIZIONE OR	JOINT TORIQUE	SMIENRING
12	CF 793128 01	CF 793128 01	WATER RESERVOIR ASSY	ASS. VASCHETTA GALLEGGIANTE	ENS. RESERVOIR	BECKENSCHWIMMERVENTILEINHEIT
13	CF 281222 00	CF 281222 00	PLASTIC TUBE - PER MTR	TUBO IN PLASTICA - PER METRO	TUYAU EN PLASTIQUE - POUR METRE	PLASTIK ROHR - PRO. METER
14	CF 281828 00	CF 281828 00	PLASTIC TUBE - PER MTR	TUBO IN PLASTICA - PER METRO	TUYAU EN PLASTIQUE - POUR METRE	PLASTIK ROHR - PRO. METER
18	CF 680224 00	CF 680224 00	WATER DRAIN FITTING	RACCORDO SCARICO ACQUA	PROV. EN VACUATION EAU	WASSERABFLUSSANWISCHLUSSE
19	CF 680585 00	CF 680585 00	PLASTIC RING NUT	GHIERNA IN PLASTICA	COLLIER DE SERRAGE EN PLASTIQUE	PLASTIKRINGMUTTER
20	CF 610163 02	CF 610163 02	PLASTIC TUBE	TUBO IN PLASTICA	TUYAU EN PLASTIQUE	PLASTIK ROHR
22	CF 794225 13 R	CF 794225 13 R	GEAR REDUCER ASSY	ASS. MOTORIDUTTORE	ENS. MOTORREDUCTEUR	GEHÄUSEMOTOR-EINHEIT
23	CF 794238 07 R	CF 794237 04 R	FREEZER ASSY	ASS. FREEZER	ENS. FREEZER	GEFÄHREZYLINDER-EINHEIT
24	CF 680516 02	CF 680516 02	GEAR MOTOR PLASTIC COVER	PROTEZIONE MOTORE	PROTECTION MOTEUR	PLASTIK MOTORSCHUTZ
25	CF 680378 00	CF 680378 00	INSULATION LEFT	ISOLAMENTO SINISTRO	ISOLATION GAUCHE	GEFÄHREZYLINDERISOLIERUNG LINKS
26	CF 680378 01	CF 680378 01	INSULATION RIGHT	ISOLAMENTO DESTRO	ISOLATION DROITE	GEFÄHREZYLINDERISOLIERUNG RECHTS
27	CF 724339 01	CF 724339 01	S.S. ICE SPOUT	BOCCHETTA SCARICO GHIACCIO	BEC VERSEUR	AUSWURFSCHNAPZE
27a	CF 724339 03	CF 724339 03	PLASTIC ICE SPOUT	BOCCHETTA SCARICO IN PLASTICA	BEC VERSEUR EN PLASTIQUE	PLASTIK AUSWURFSCHNAPZE
28	CF 680183 00	CF 680183 00	SPOUT INSULATION RIGHT	ISOLAMENTO BOCC. DESTRO	ISOLATION DROITE BEC VERSEUR	AUSWURFSCHNAPZEISOLIERUNG
28	CF 680182 00	CF 680182 00	SPOUT INSULATION LEFT	ISOLAMENTO BOCC. SINISTRO	ISOLATION GAUCHE BEC VERSEUR	AUSWURFSCHNAPZEISOLIERUNG
30	CF 680485 12	CF 680485 12	PLASTIC ICE CHUTE	CONDOTTO SCARICO GHIACCIO	GROULOTTE	EIS BUNKERABSLAUFL
31	CF 724180 00	CF 724180 00	METAL ROD	TIRANTE	TIRANT	STRANGE
32	CF 430083 00	CF 430083 00	WING NUT	DADO AD ALETTE	EGROU	MUTTER