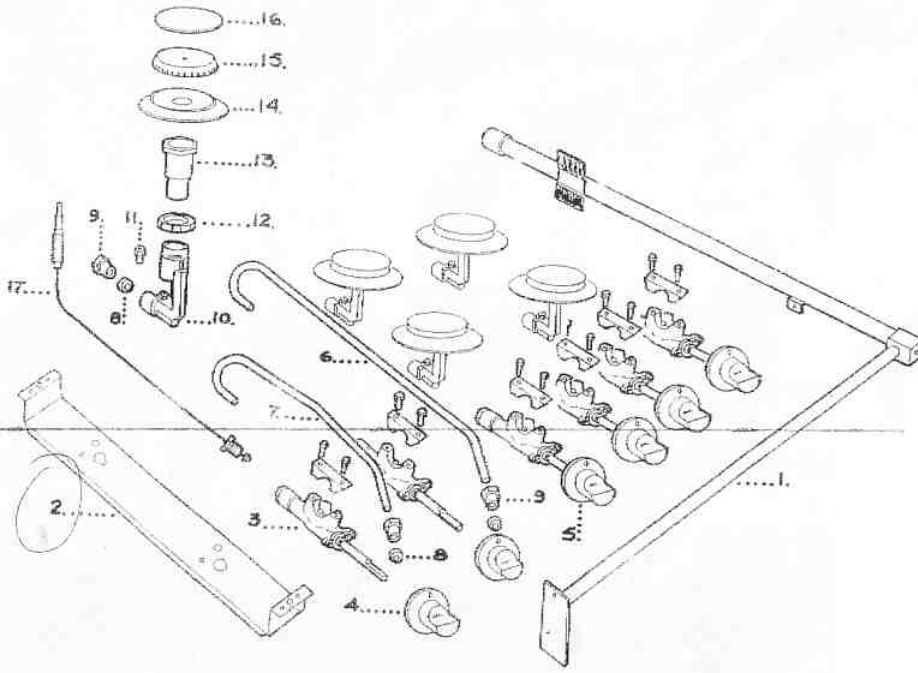




G1107 CE OPEN TO

FALON

900



C. E. Nelson

