

04-2003 S.A.C.



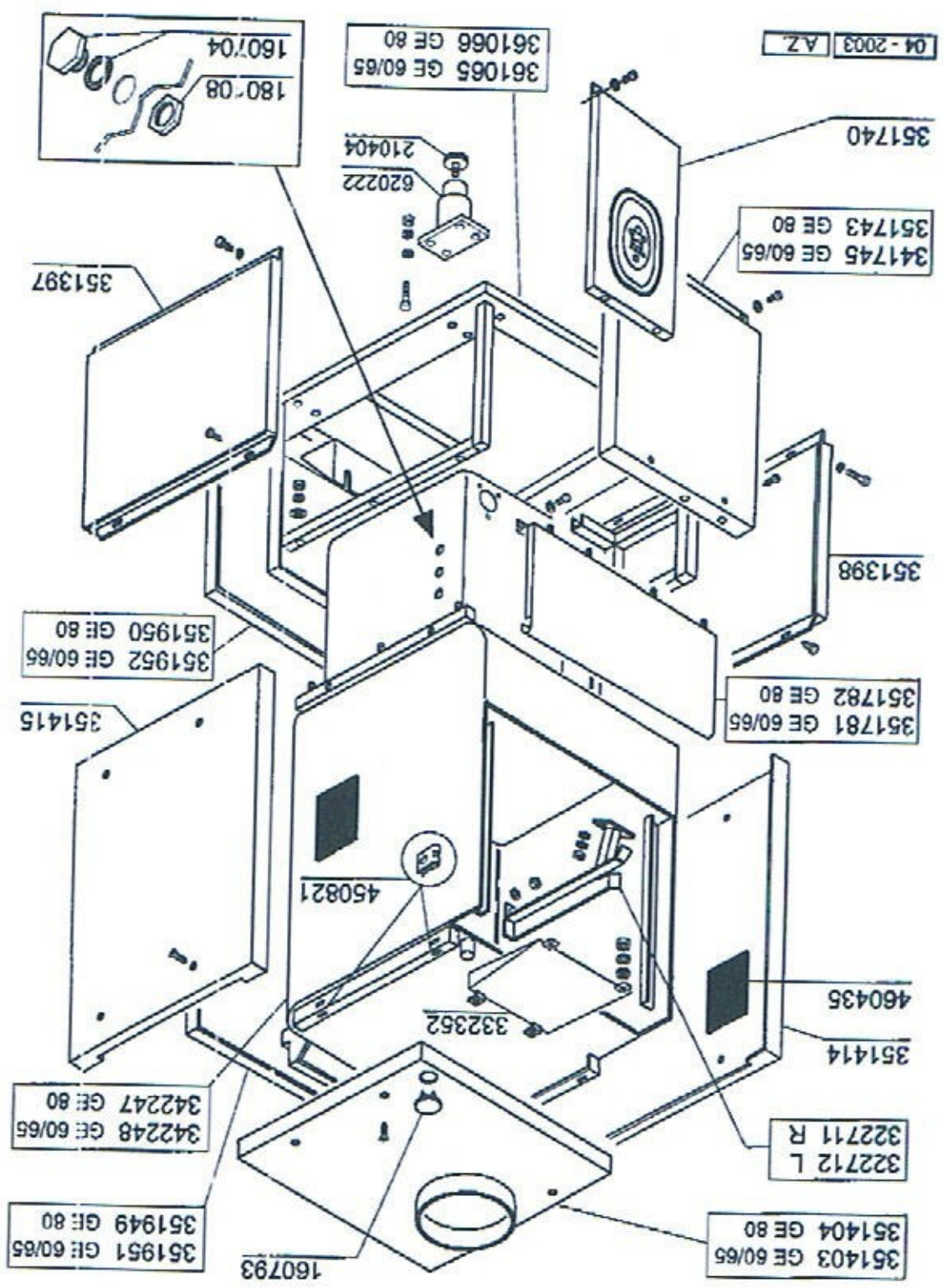
04/2003

- GE 60
- GE 65
- GE 80
- GE 100
- GE 115

PARTI DI RICAMBIO  
 PIECES DETACHEES  
 SPARE PARTS  
 ERSATZTEILE  
 LISTA DE RECAMBIOS

**GE65 Hood**

**Table 1**



04-2003 AZ

**GE65**  
 Hood

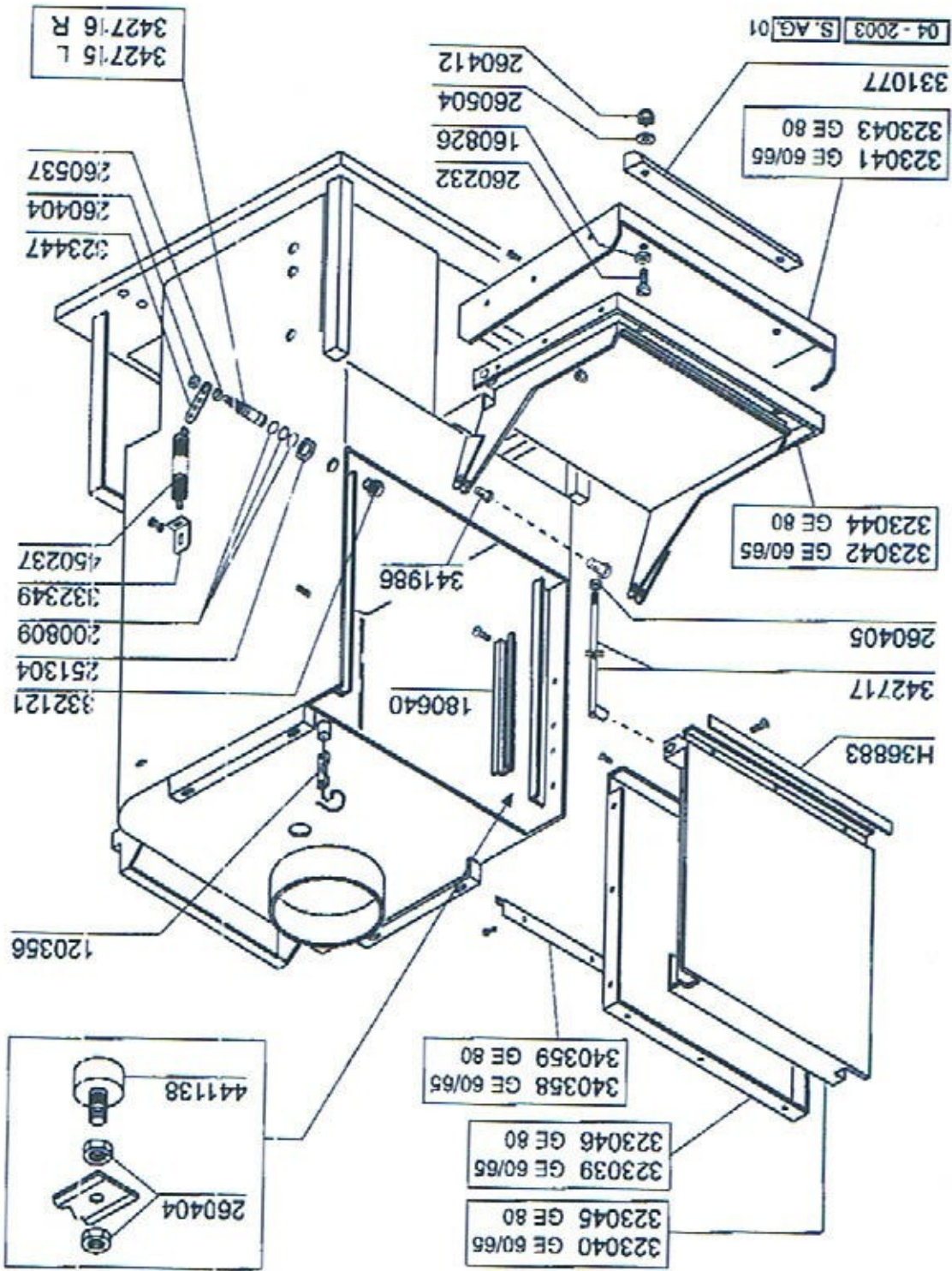
CODE	DESCRIPTION	PRICE (Eur)
160704	BLACK PLUG WITH GASKET 1/2"GAK	0.00
160793	PLUG	0.00
180108	PLASTIC NUT 1/2"	0.00
210404	BLACK RUBBER FOOT S90 NE SE	0.00
322711	RIGHT RAIL GE	0.00
322712	RAIL LEFT GE	0.00
332352	BRACKET	0.00
341745	SUPPORT	0.00
342247	HOOD+TANK GE80	0.00
342248	HOOD+TANK GE60	0.00
351397	RIGHT SIDE PANEL GE	0.00
351398	SIDE LEFT PANEL GE	0.00
351403	PANEL	0.00
351404	TOP COVER GE80	0.00
351414	SIDE LEFT PANEL GE	0.00
351415	SIDE RIGHT PANEL GE	0.00
351740	CONTROL PANEL GE	0.00
351743	FRONT PANEL GE80	0.00
351781	FRONT PANEL GE60	0.00
351782	FRONT PANEL GE80	0.00
351949	UPPER BACK PANEL GE80	0.00
351950	BACK PANEL GE80	0.00
351951	UPPER BACK PANEL GE65	0.00
351952	BACK PANEL GE65	0.00
351065	FRAME GE60	0.00
351066	FRAME GE80	0.00
450821	SPRING CLIP FASTENER SNU 3534	0.00
460435	ISOLATION PANEL	0.00
620222	COMPLETE ALUMINIUM LEGS	0.00

Table 1

GE65

Door component

Table 2



CODE	DESCRIPTION	PRICE (Eur)
120356	MAGN. SWITCH FOR DOOR FC	0.00
160826	GASKET 14X6,2X2 B41-F2	0.00
180840	DOOR RAIL FOR GE	0.00
200809	OR GASKET 1,78X8,73X12,29	0.00
251304	ST/ST LOCK NUT 3/8	0.00
260232	STAINL.ST TB SCREW 6X25 B16-6-	0.00
260404	STAINLESS STEEL NUTS D6 UNI 55	0.00
260405	NUT D.8	0.00
260412	SELF-LOCKING NUT M6	0.00
260504	ST/ST FLAT WASHER D6	0.00
260537	STAINL.STEEL FLAT WASHER D13X2	0.00
323039	BACK COVER FOR UPPER DOOR GE80	0.00
323040	UPPER DOOR GE60-65	0.00
323041	LOWER DOOR GE60-65	0.00
323042	BACK COVER FOR LOWER DOOR GE60	0.00
323043	LOWER DOOR GE80	0.00
323044	BACK COVER FOR LOWER DOOR GE80	0.00
323046	UPPER DOOR GE80	0.00
323046	BACK COVER FOR UPPER DOOR GE80	0.00
323447	SPRING CONNECTION	0.00
331077	GE DOOR HANDLE	0.00
332121	BUSH FOR HOOD GE	0.00
332349	BRACKET FOR DOOR SPRING GE	0.00
340358	BRACKET GE65	0.00
340359	BRACKET GE80	0.00
341886	*GL-DOOR PIN	0.00
342715	LEFT SPINDLE FOR GE DOOR	0.00
342716	RIGHT SPINDLE GE DOOR	0.00
342717	DOOR SPINDLE	0.00
441138	PROTECTION	0.00
450237	DOOR SPRING GE	0.00
H36883	JOINT PORTE GE	0.00

Door component

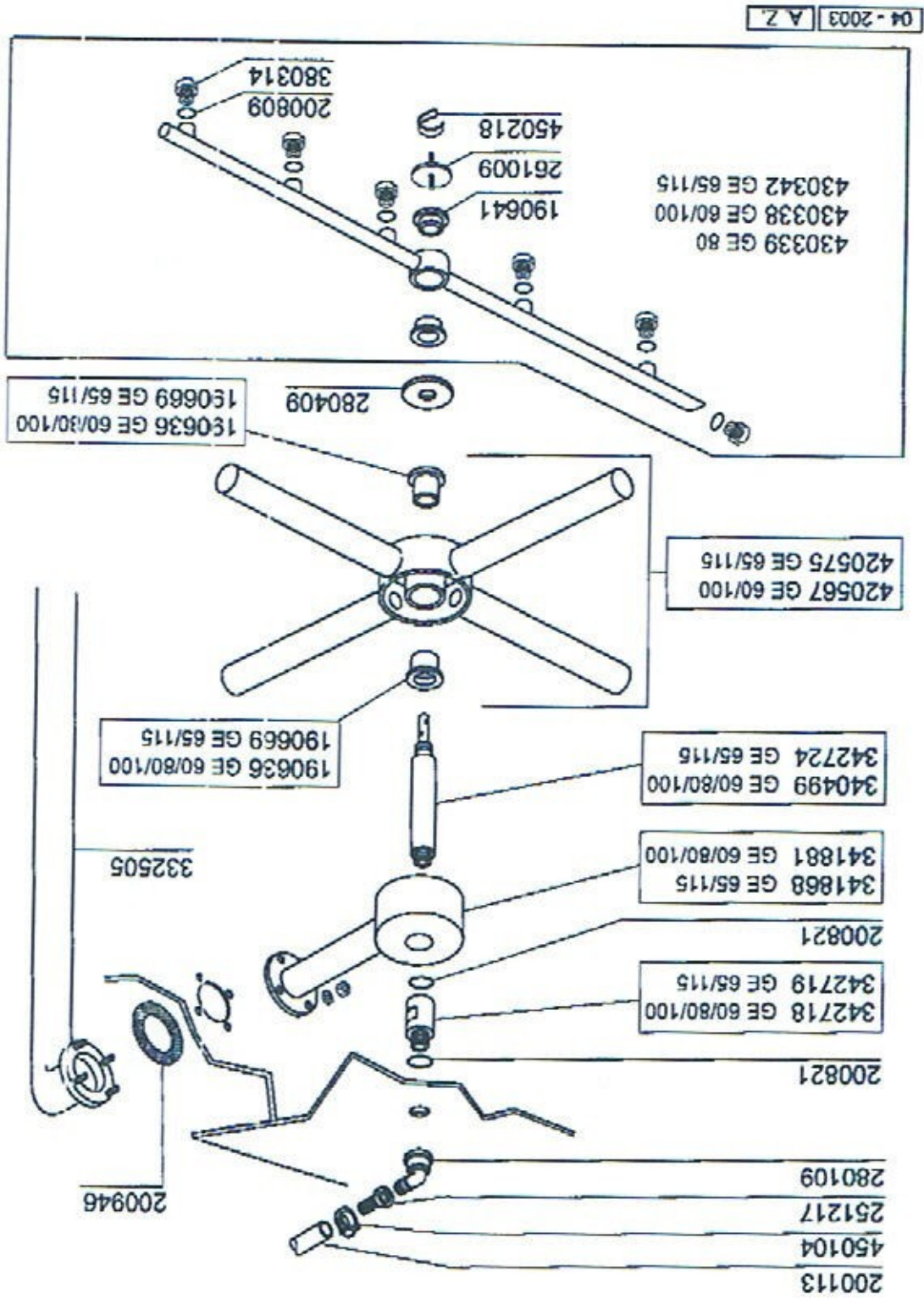
GE65

Table 2

Table 3

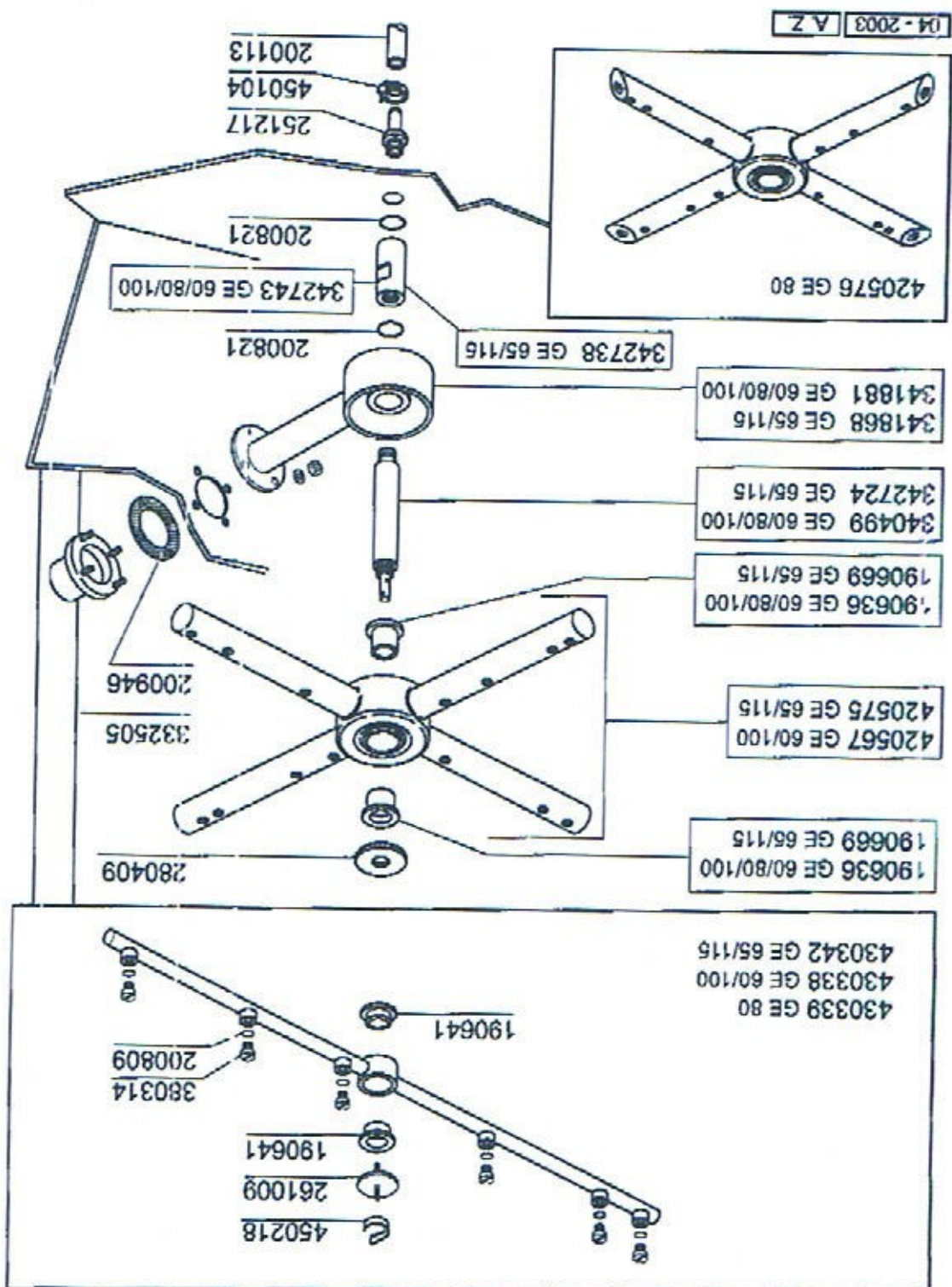
**GE65**

Upper wash and rinse arms



**Table 3**
**GE65**
**Upper wash and rinse arms**

CODE	DESCRIPTION	PRICE (Eur)
190636	BUSH FOR C95-155-165 WASH ARM	0,00
190641	BUSH FOR C95-165-165 RINSE ARM	0,00
180669	BUSH WASH ARM GE	0,00
200113	RUBBER HOSE 12 X 22	0,00
200809	OR GASKET 1,78X8,73X12,29	0,00
200821	O-RING 2,62X20,83	0,00
200946	GASKET WASH COLUMN GE	0,00
261217	ST/ST NIPPLE 3/8	0,00
281009	RETAIN.SCREW FOR WASH-RINSE AR	0,00
280109	CRANK 90° F.F 3/8"	0,00
280409	RETAIN LOCK NUT CENTR.CROSS C1	0,00
332505	GE WASH COLUMN	0,00
340499	SPINDLE CENTR. CROSS C34	0,00
341868	GE65 WASH ARM SUPPORT	0,00
341881	GE60 WASH ARM SUPPORT	0,00
342718	RINSE SPINDLE GE60	0,00
342719	RINSE SPINDLE GE65	0,00
342724	WASH ARM SPINDLE GE65	0,00
380314	RINSE JETS 801/HR	0,00
420567	WASH ARM GE60	0,00
420575	WASH ARM	0,00
430338	RINSE ARM GE100	0,00
430339	RINSE ARM GE80	0,00
430342	RINSE ARM GE65	0,00
450104	CLAMP FE ZN H=12,5 16-24	0,00
460218	SPRING F.RINSE ARM RETAIN.SCRE	0,00



Lower wash and rinse arms

GE65

Table 4



CODE	DESCRIPTION	PRICE (Eur)
190636	BUSH FOR C95-155-165 WASH ARM	0.00
190641	BUSH FOR C95-155-165 RINSE ARM	0.00
190669	BUSH WASH ARM GE	0.00
200113	RUBBER HOSE 12 X 22	0.00
200808	OR GASKET 1,78X8,73X12,29	0.00
200821	O-RING 2,62X20,63	0.00
200946	GASKET WASH COLUMN GE	0.00
251217	ST/ST NIPPLE 3/8	0.00
261009	RETAIN SCREW FOR WASH-RINSE AR	0.00
280409	RETAIN LOCK NUT CENTR.CROSS C1	0.00
332505	GE WASH COLUMN	0.00
340499	SPINDLE CENTR. CROSS C34	0.00
341868	GE65 WASH ARM SUPPORT	0.00
341881	GE60 WASH ARM SUPPORT	0.00
342724	WASH ARM SPINDLE GE65	0.00
342738	EXTENSION	0.00
342743	EXTENSION	0.00
380314	RINSE JETS 801/HR	0.00
420587	WASH ARM GE60	0.00
420575	WASH ARM	0.00
420576	WASH ARM	0.00
430338	RINSE ARM GE100	0.00
430339	RINSE ARM GE80	0.00
430342	RINSE ARM GE65	0.00
450104	CLAMP FE ZN H=12,5 15-24	0.00
450218	SPRING F.RINSE ARM RETAIN.SCRE	0.00

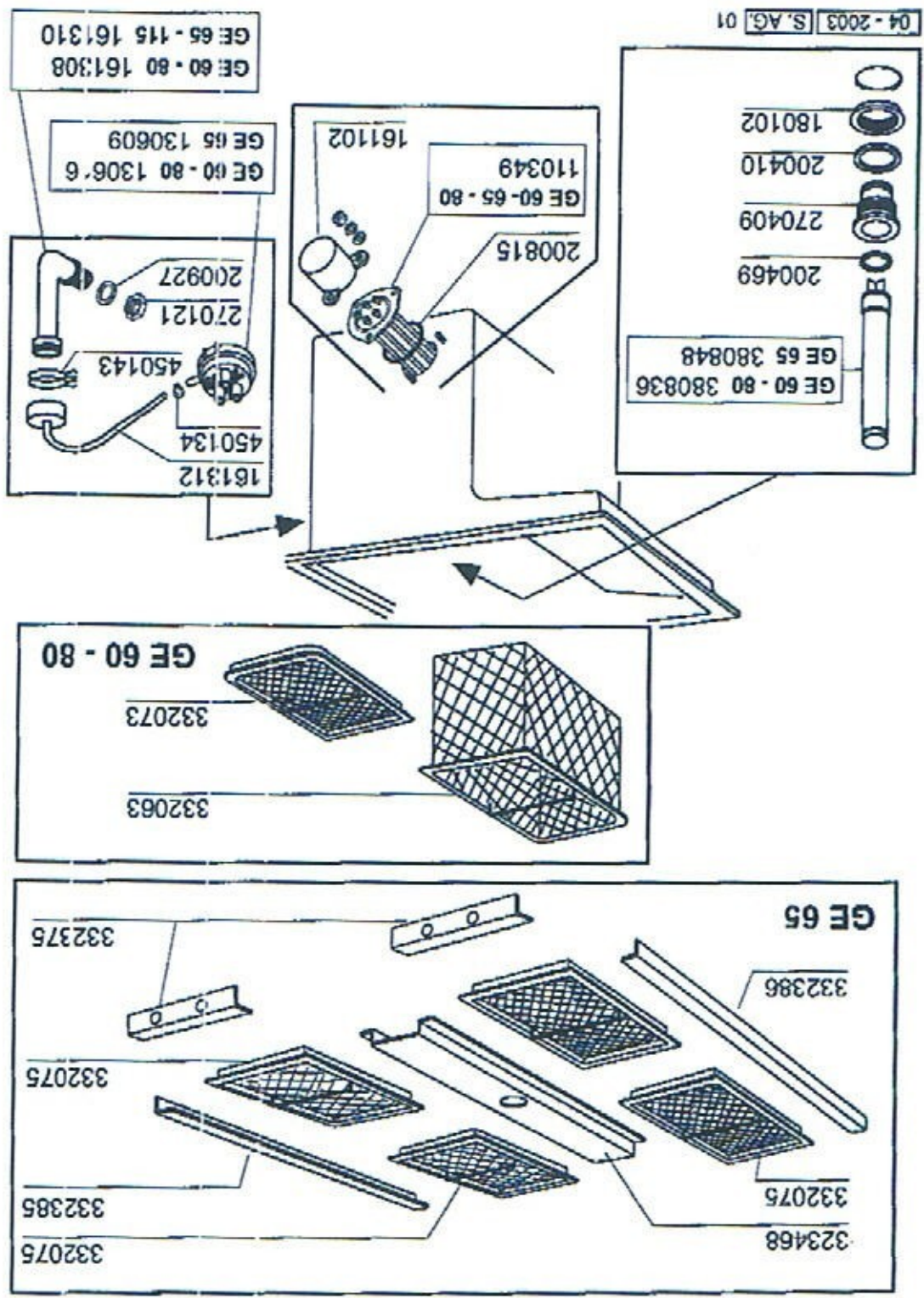
Lower wash and rinse arms

GE65

Table 4

**GE65**  
Filters

Table 5

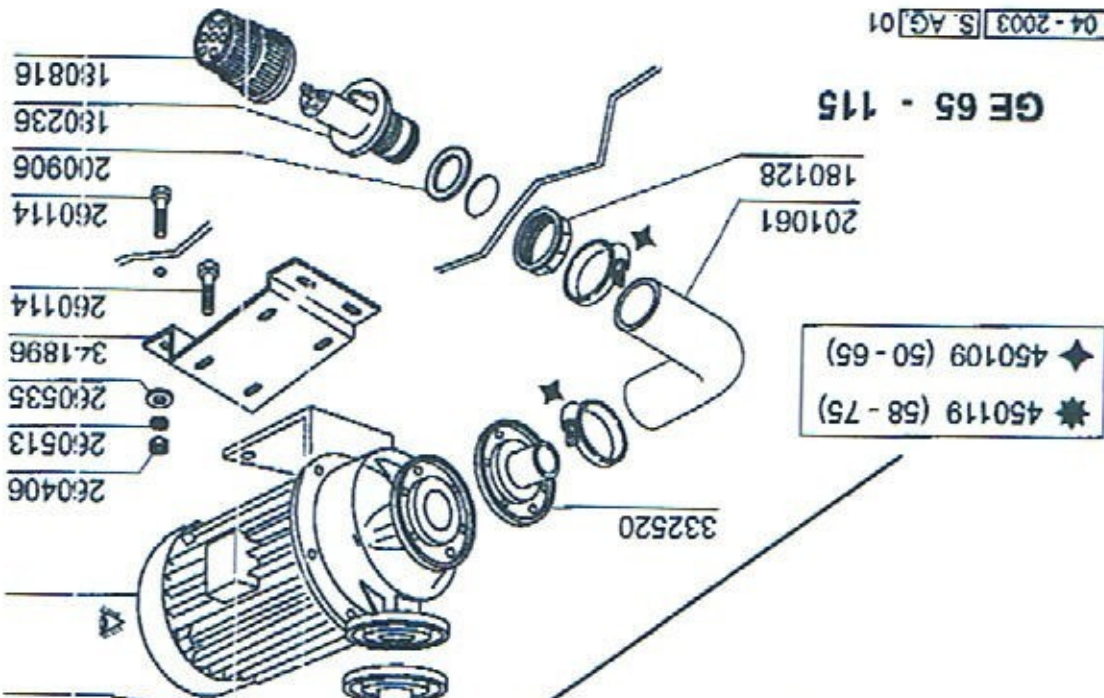


**GE65**  
 Filters

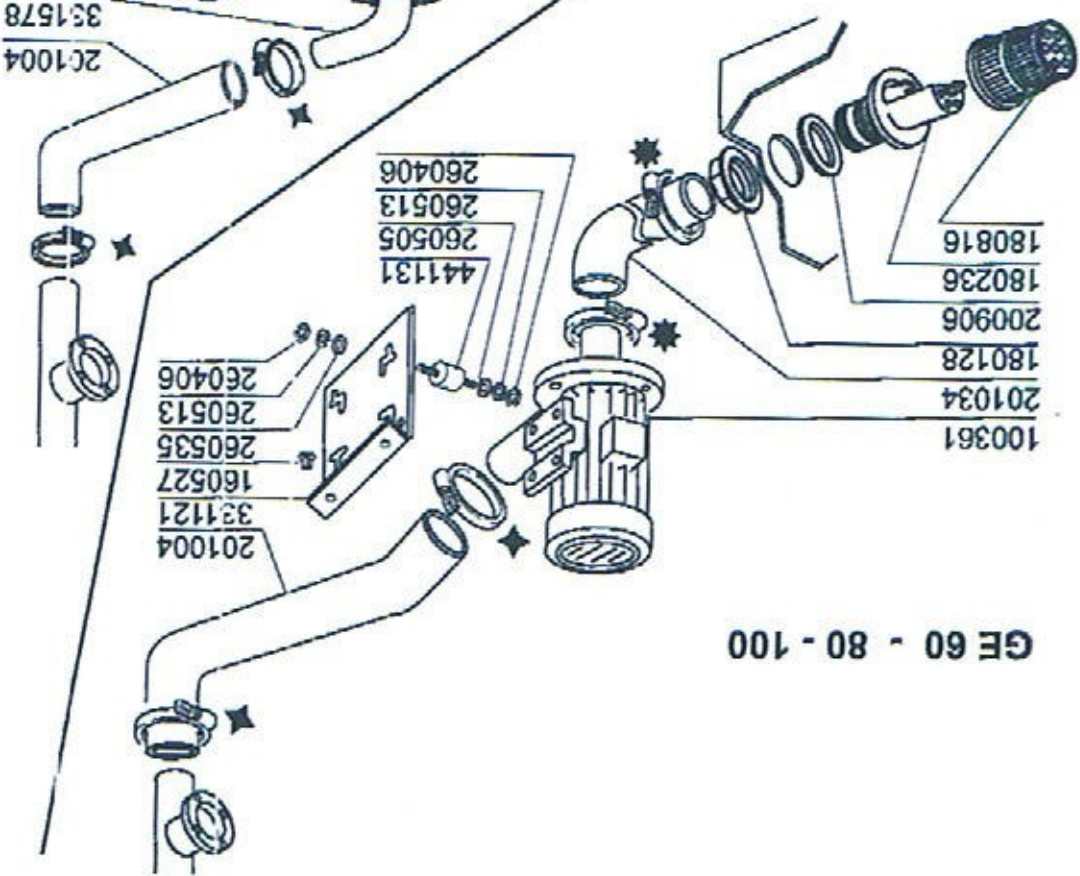
CODE	DESCRIPTION	PRICE (Eur)
110349	HEAT.ELEMENT 600W 220/390V	0.00
130609	1 LEVEL PRESSURE SWITCH 110-70	0.00
130616	PRESSURE SWITCH 190/80 FOR C95	0.00
161102	ELEMENT COVER MOPL	0.00
161308	AIR CHAMBER C95-155	0.00
161310	AIR CHAMBER FOR GLASSWASHERS B	0.00
161312	HOSE FOR PRESSURE SWITCH C95-1	0.00
180102	DRAIN PIPE NUT 1 1/2 F45-55	0.00
200410	DRAIN OUTL.WASH.1 1/2*65X47X2	0.00
200469	STAND PIPE O RING 46X35,5X7	0.00
200815	O-RING F. HEAT.ELEM.	0.00
200927	GASKET FOR AIR TRAP	0.00
270121	NUT FOR AIR TRAP	0.00
270409	DRAIN OUTLET AC-ACR	0.00
323468	STRAINERS SUPPORT	0.00
332063	DRAW FILTER GE60-80	0.00
332073	FLAT FILTER GE60-80	0.00
332075	TANK FILTER GE65-115	0.00
332375	FILTER SUPPORT GE65-116	0.00
332385	RIGHT FILTER SUPPORT GE65	0.00
332386	LEFT FILTER SUPPORT GE65	0.00
380836	OVERFLOW PIPE	0.00
380848	OVERFLOW PIPE GE65-116	0.00
450134	ELASTIC HOSE CLIP D.9,3/8,8	0.00
450143	CLAMP D.39,7 X 37,7	0.00

04-2003 S. AG. 01

**GE 65 - 115**



**GE 60 - 80 - 100**



Wash pump

**GE65**

Table 6

**GE65**

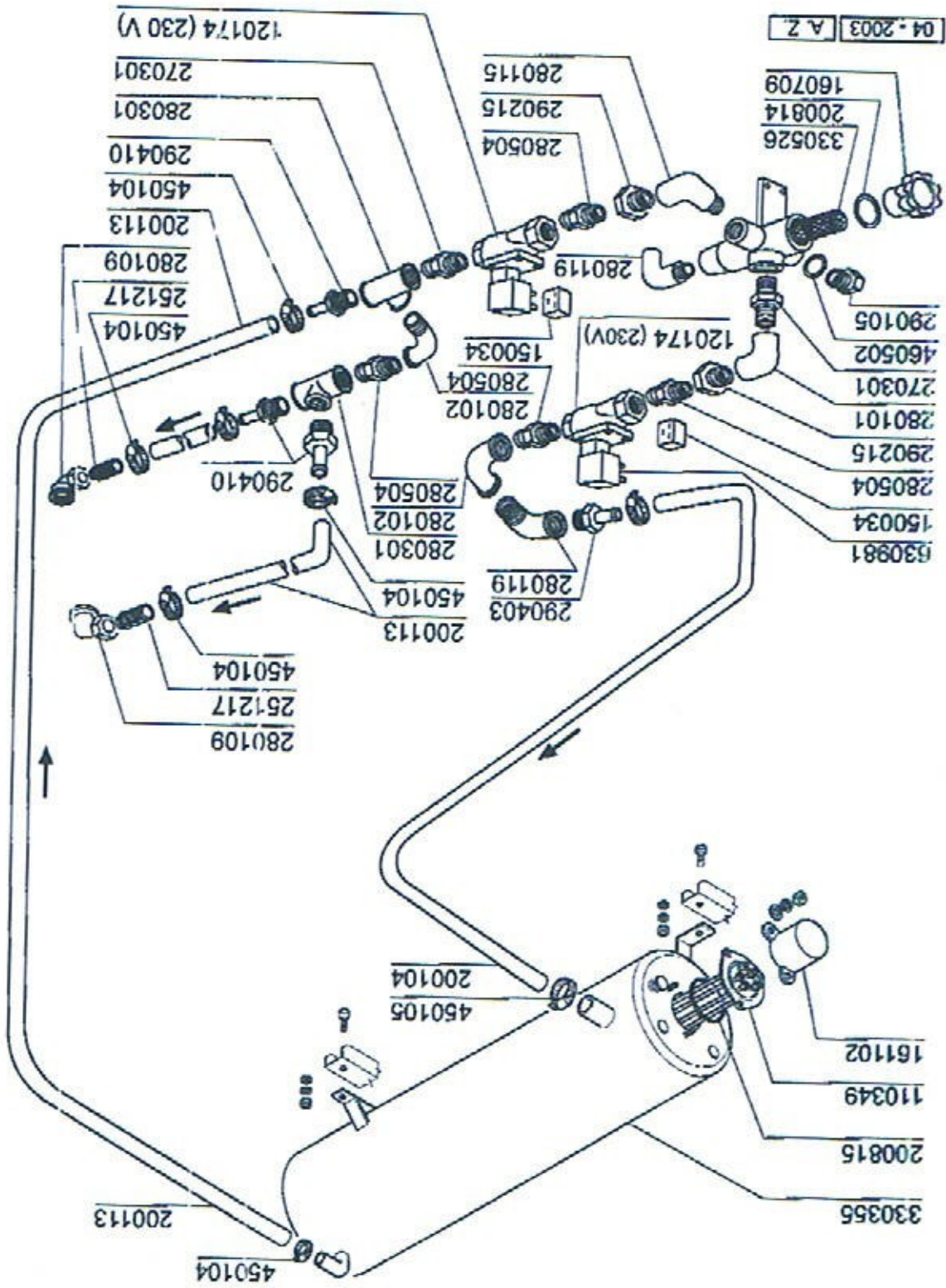
Wash pump

CODE	DESCRIPTION	PRICE (Eur)
100361	PUMP HP 2 F 220/380 50HZ-1204	0.00
160527	PLUG 14,5X2X8	0.00
180128	RING NUT 85,4 C140 C85	0.00
180236	PUMP SUCTION FOR AC-ACR-C155	0.00
180816	STRAINER OF INLET PUMP AC-ACR	0.00
200906	GASKET D.92X66X2	0.00
201004	OUTLET HOSE AC95-AC135	0.00
201034	WASH TANK INLET HOSE	0.00
201061	INLET HOSE 4HP PUMP GE	0.00
260114	SCREW TE 8X25	0.00
260406	NUT 8MA	0.00
260505	STAINL. STEEL FLAT WASHER D8 UN	0.00
280513	GROWER WASHER D8	0.00
260535	STAINL. ST WASHER 24X8,5X2	0.00
331121	FIXING PLATE FOR PUMP ACR	0.00
331578	DELIVERY ELBOW FOR G75 WASH PU	0.00
332520	FLANGE WASH PUMP GE	0.00
341898	PUMP SUPPORT	0.00
441131	VIRATION-DAMPING 40X30X8	0.00
450109	CLAMP 60-65	0.00
450119	CLAMP FE ZN. 69-75 H=12,2	0.00

Table 7

**GE65**

Rinse assembly

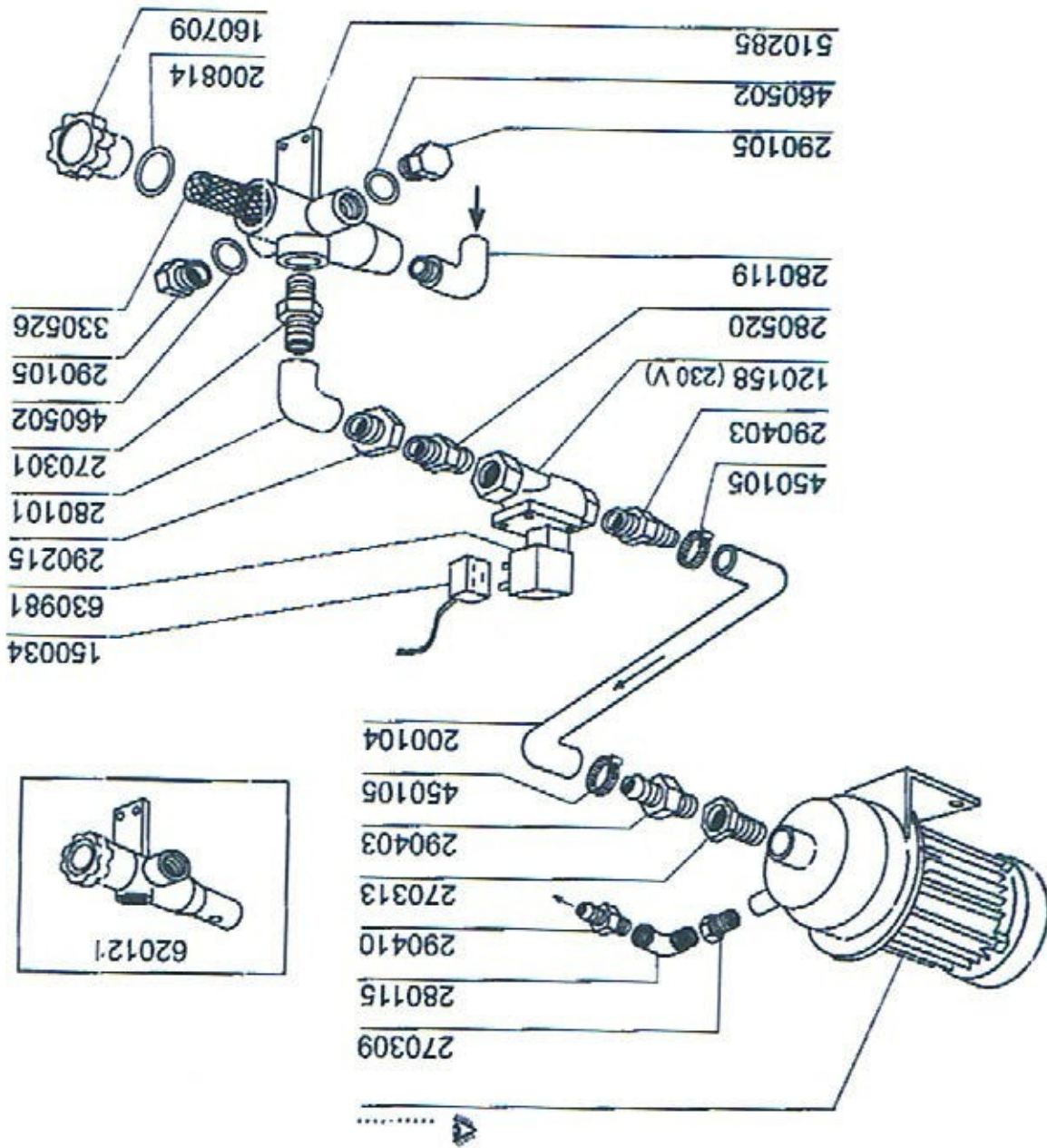


**GE65**

## Rinse assembly

CODE	DESCRIPTION	PRICE (Eur)
110349	HEAT ELEMENT 6000W 220/380V	0,00
120174	SOLEN. VALVE L180 1/2" 220/50	0,00
150034	CONNEX. F. SOLEN. VALVE 122.09.N	0,00
160709	KNOB OF MANIFOLD F. SOLEN. VAL	0,00
161102	ELEMENT COVER MOPL.	0,00
200104	DISCHARGE HOSE 20X30	0,00
200113	RUBBER HOSE 12 X 22	0,00
200814	O-RING 34,52X41,58X3,53	0,00
200815	O-RING F. HEAT.ELEM.	0,00
251217	ST/ST NIPPLE 3/8	0,00
270301	BRASS NIPPLES 1/2"	0,00
280101	CRANK F.F 1/2"	0,00
280102	ELL F.F 3/4"	0,00
280109	CRANK 90° F.F 3/8"	0,00
280115	ELL 1/2"	0,00
280119	ELL MF 3/4"	0,00
280301	TEE 1/2"	0,00
280504	MANIFOLD CONN.HOSE	0,00
290106	BRASS-TE-PLUG 1/2"	0,00
290215	1/2"BSP M/F UNION BRASS	0,00
290403	NIPPLE M.3/4" BRASS	0,00
290410	NIPPLE 1/2"	0,00
330355	BOOSTER GE	0,00
330526	FILTERS 22X28 SOLENOID V.MANIF	0,00
450104	CLAMP FE ZN H=12,5 15-24	0,00
450105	CLAMP FE ZN. 26-38 H=12,2	0,00
460502	GASKET 30X21X2 C34-R ASBESTOS	0,00
630981	COIL Z610 220/240V 50/60HZ	0,00

04-2003 A.Z.



Rinse pump

GE65

Table 8

**GE65**  
 Rinse pump

CODE	DESCRIPTION	PRICE (Eur)
120158	SOLENI. VALVE 3/4 L180B12 240V.	0.00
150034	CONNEC.F.SOLEN.VALVE 122.09.N	0.00
160709	KNOB OF MANIFOLD F. SOLEN. VAL	0.00
200104	DISCHARGE HOSE 20X30	0.00
200814	O-RING 34,52X41,58X3,53	0.00
270301	BRASS NIPPLES 1/2"	0.00
270309	CONNECTION 1"-1/2"	0.00
270313	CONNECT.1 1/4" - 3/4"	0.00
280101	CRANK F.F 1/2"	0.00
280115	ELL 1/2"	0.00
280119	ELL MF 3/4"	0.00
280520	CONNECTION 3/4"	0.00
290105	BRASS-TE-PLUG 1/2"	0.00
290215	1/2"BSP M/F UNION BRASS	0.00
290403	NIPPLE M.3/4" BRASS	0.00
290410	NIPPLE 1/2"	0.00
330528	FILTERS 22X28 SOLENOID V.MANIF	0.00
450105	CLAMP FE ZN. 26-38 H=12,2	0.00
460502	GASKET 30X21X2 C34-R ASBESTOS	0.00
510285	SOLENOID VALVE MANIFOLD - BRAS	0.00
620121	TWIN SOLENOID VALVE MANIFOLD	0.00
630981	COIL 2610 220/240V 50/60HZ	0.00



**GE65**

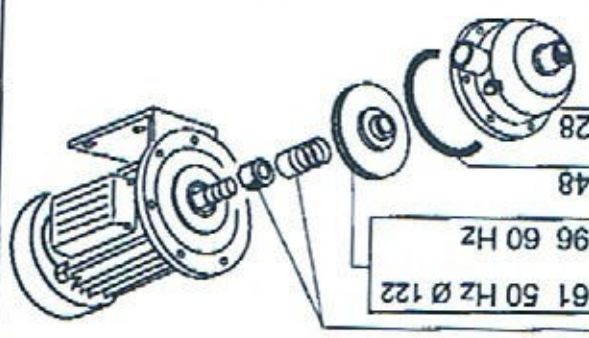
Control box

CODE	DESCRIPTION	PRICE (Eur)
110482	CABLE	0,00
120459	AUXIL.RELE 16A 220V	0,00
120460	RELAY 16A 220V	0,00
120477	CONTACTOR ABB 9A 220V	0,00
120468	CONTACTOR ABB 12A 220V	0,00
120469	CONTACTOR ABB 16A 220V	0,00
120519	THERMOSTAT 95-125° SECT.1 C-	0,00
120860	OVERLOAD RELAY ABB 1-1,4A	0,00
120863	OVERLOAD RELAY ABB 2,8-4A	0,00
120864	OVERLOAD RELAY ABB 4,5-6,5A	0,00
120865	OVERLOAD RELAY ABB 6-8,5A	0,00
120867	OVERLOAD RELAY ABB 10-14A	0,00
120960	ELECTRONIC TOUCH PAD CONTROLS	0,00
121283	ELECTRONIC PANEL "C-GE"	0,00
121284	ELECTRONIC CONTROL PANEL C-GE	0,00
130237	FUSE 14X51 32A GL14332	0,00
130250	FUSE 12A GF 12312	0,00
130252	FUSE 20A GF 12320	0,00
130260	FUSE 10,3X38 2A AM 13001	0,00
150710	FUSE CARRIER 10,3X38 ART.21401	0,00
160537	ELECTRONIC CARD SPACER	0,00
161175	PROTECTION	0,00
200432	SPONGY RUBBER ADHESIV 8X4 NEOP	0,00
260423	SELF-LOCKING NUT M3	0,00
260601	STAINL.STEEL FLAT WASHER D3 UN	0,00
351740	CONTROL PANEL GE	0,00
461353	CONTROL PANEL	0,00
631209	ANTI-NOISE FILTER	0,00
870016	POUSSOIR POUR FICHE ELECTRON	0,00


**GE65**  
Pump

Table 10

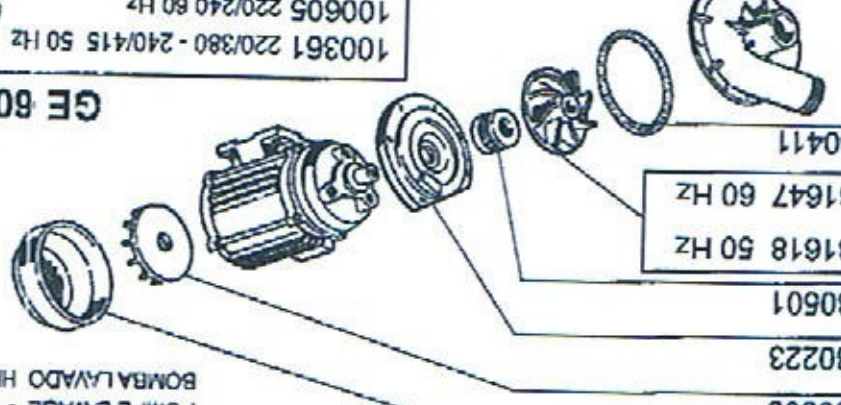
HP 0,75 / Kw 0,55 (CEA 120/2/A)



630529  
631661 50 Hz Ø 122  
631696 60 Hz  
200848  
630128




100789 220/240 - 380/415 50 Hz  
100792 220/240 - 380/415 60 Hz  
100793 255/440 60 Hz



630216  
630306  
630223  
630501  
631618 50 Hz  
631647 60 Hz  
630411  
630114

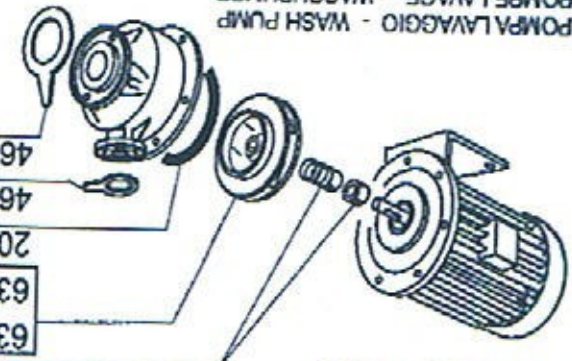
100361 220/380 - 240/415 50 Hz  
100605 220/240 60 Hz  
100613 250/440 60 Hz

630114



**GE 60 - 80 - 100**

POMPA LAVAGGIO - WASH PUMP  
POMPE LAVAGE - WASCHPUMPE  
BOMBA LAVADO HP 2 / Kw 1,5 (1204)



630520  
631693 50 Hz Ø 116  
631694 60 Hz Ø 90  
200948  
460526  
460525

100697 220/240 - 380/415 60 Hz  
100709 220/240 - 380/415 60 Hz

POMPA LAVAGGIO - WASH PUMP  
POMPE LAVAGE - WASCHPUMPE  
BOMBA LAVADO - HP 4 / Kw 3 (SHE 50)

**GE 65 - 115**

03 - 2003 A.Z

**GE65**  
 Pump

CODE	DESCRIPTION	PRICE (Eur)
100361	PUMP HP 2 F 220/380 50HZ-1204	0.00
100605	PUMP HP 2 380/3/60HZ 1204	0.00
100613	PUMP HP 2 440/3/60HZ 1204	0.00
100697	PUMP HP 4 220/3 HTE50-126/30	0.00
100709	PUMP HP 4 220/380/415V 60HZ	0.00
100789	PUMP HP 0,75 220/415V	0.00
100792	PUMP HP 0,75 220/415	0.00
100793	PUMP HP 0,75	0.00
200848	O-RING FOR PUMP 0,75 HP CEA 12	0.00
200948	OR GASKET	0.00
460525	GASKET INLET ELBOW WASH PUMP D	0.00
460526	GASKET DELIVERY ELBOW WASH PUM	0.00
630114	VOLUTE FI HP2-2,7-3-3,2 12	0.00
630128	VOLUTE RINSE PUMP 0,75HP CEA12	0.00
630216	FAN HOUSING FI HP 2-3	0.00
630223	BACK PLATE PUMP HP2-3-3,2	0.00
630306	PUMP FAN IMPELLOR FI HP 2-3	0.00
630411	O-RING PUMP FI HP 2-2,7	0.00
630501	SEAL FOR PUMP HP 2-3-3,2	0.00
630520	PUMP SEAL 4HP S/S HTE	0.00
630529	SEAL FOR PUMP	0.00
631618	IMPELLER PUMP F HP2-D,116,5	0.00
631647	IMPELLER F,1204/5 HP2 60HZ D,1	0.00
631661	IMPELLER PUMP 0,75HP LOW,CE120	0.00
631693	IMPELLER	0.00
631694	IMPELLER	0.00
631696	IMPELLER 60HZ	0.00

Table 10