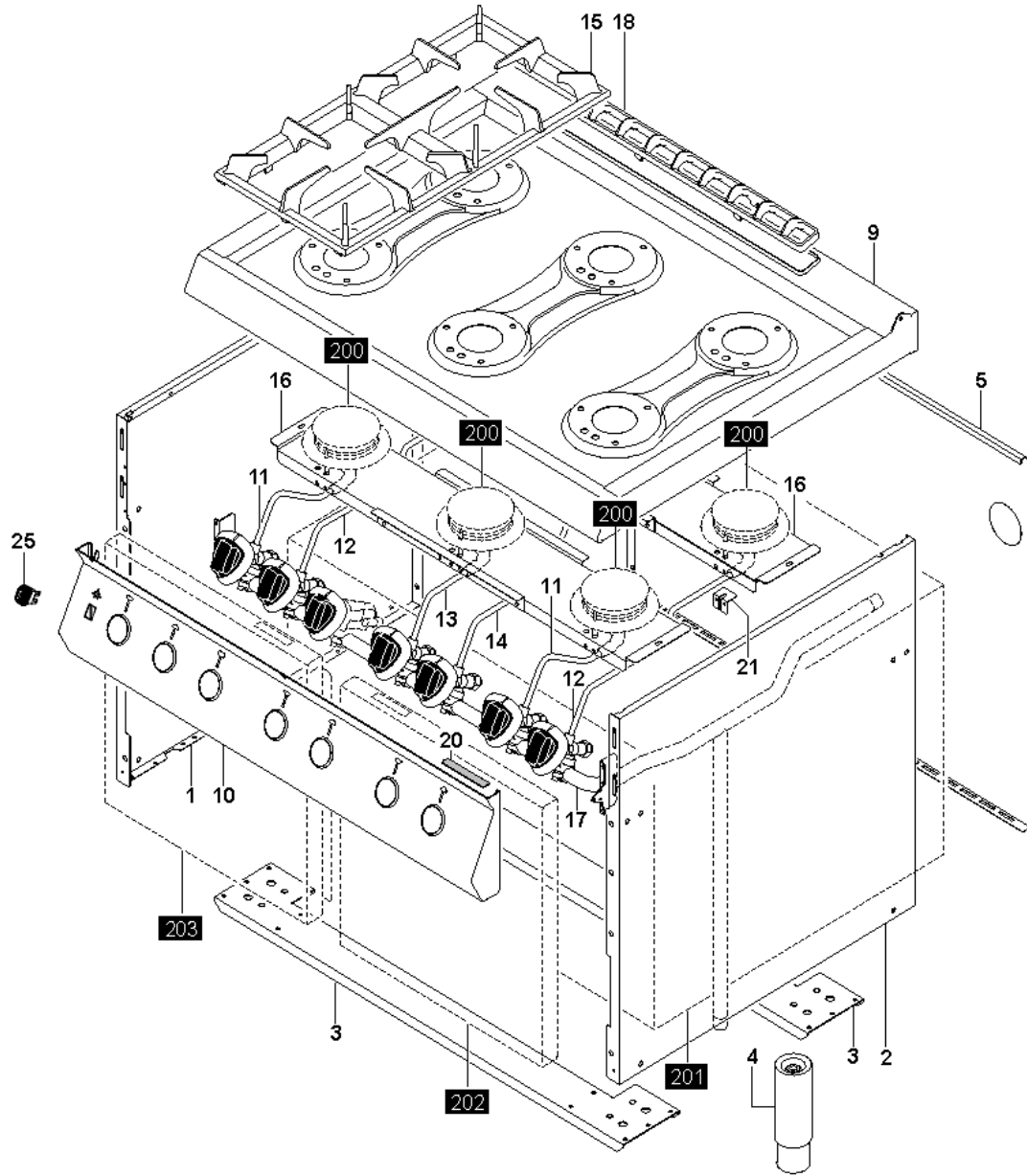


1011 - 396107 (01.000) 6/10





Pr	Cod	St	Qt	Description	Price
1	35H2290	A	1	LH PANEL	191.39
2	35H2280	A	1	RH PANEL	191.39
3	35U6831	A	2	SECTION	48.2
4	36C5360	A	1	4 FEETS ASS.Y	68.15
5	35H3320	A	1	REAR PANEL	105.25
6	6300553	A	1	GAS CONTROL ASS.Y	16.09
8	6300518	A	6	GAS CONTROL ASS.Y	9.37
9	30M8800	A	1	HOB	623.63
10	3079800	A	1	CONTROL PANEL	123.43
11	35X6240	A	2	GAS SUPPLY PIPE	0
12	35X6250	A	2	GAS SUPPLY PIPE	0
13	35X6280	A	1	GAS SUPPLY PIPE	0
14	35X6290	A	1	GAS SUPPLY PIPE	0
15	36A5360	A	3	GRID	101.52
16	35Y3190	A	2	SECTION	0
17	30Z3200	A	1	GAS MANIFOLD ASS. Y	0
18	36C4810	A	1	FLUE GUARD	37.52
19	33D3180	A	1	VALVE	74.99
20	137AA12	A	1	GASKET	0
21	3009120	A	6	SUPPORT	0
22	3002440	A	1	OGIVAL GASKET, ø8	0
23	3000460	A	1	OGIVAL GASKET RETAINER NUT ø8	0
24	33Q2940	A	1	NIPPLE MM M8-M9	5.15
25	3062550	A	1	RED SWITCH	5.15
200	M011360	A	6	BURNER MODULE	0
201	M011370	A	1	OVEN MODULE	0
202	M019181	A	1	DOOR MODULE	0
203	M019191	A	1	DOOR MODULE	0