

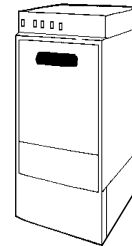


CLASSIC HOUSE, AIRFIELD IND. EST. HIXON STAFFS. ST18 8PF

SERVICE MANUAL & SPARE PARTS LIST

PRIOR TO JULY 2002

HYDRO 800



- PAGE 1 CABINET SPARE PARTS DRAWING**
- PAGE 2 CABINET SPARE PARTS LIST**

- PAGE 3 WASH TANK & WASTE SYSTEM DRAWING**
- PAGE 4 WASH TANK & WASTE SYSTEM SPARE PARTS LIST**

- PAGE 5 WASH JET SYSTEM DRAWING**
- PAGE 6 WASH JET SYSTEM SPARE PARTS LIST**

- PAGE 7 ELECTRICAL PARTS DRAWING**
- PAGE 8 ELECTRICAL SPARE PARTS LIST**

- PAGE 9 WIRING DIAGRAM PRIOR TO 1996**
- PAGE 10 WIRING DIAGRAM POST 1996**

- PAGE 11 COMPONENT WIRING**

- PAGE 12 WIRING TIMED DRAIN PUMP**

CLASSIC HOUSE, AIRFIELD INDUSTRIAL ESTATE, HIXON , STAFFORDSHIRE ST18



JUNE 2002 WO

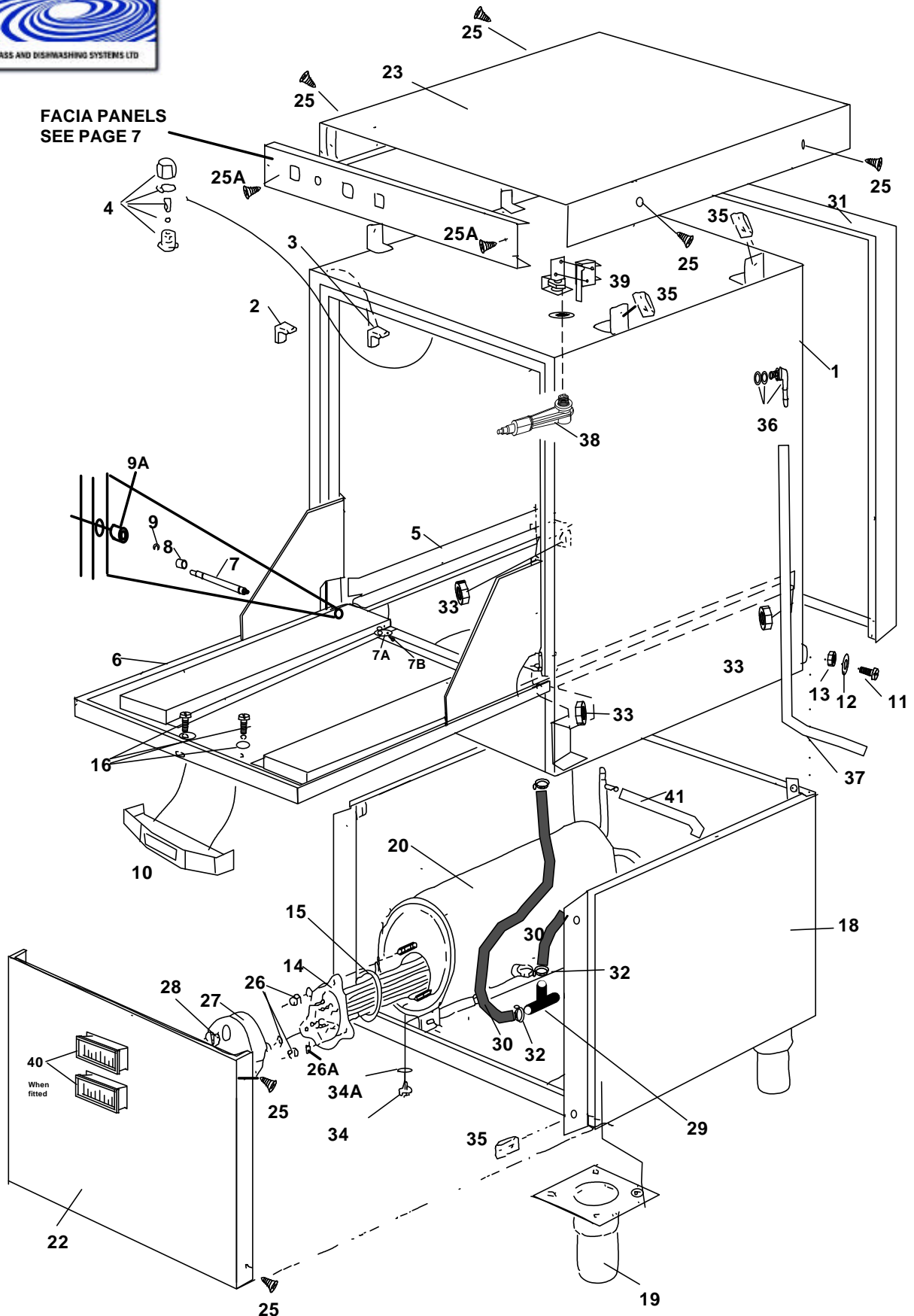
CLASSIC GLASS & DISHWASHING SYSTEMS LTD

H800

CABINET PARTS



FACIA PANELS
SEE PAGE 7



CLASSIC GLASS & DISHWASHING SYSTEMS LTD

CABINET PARTS

H800

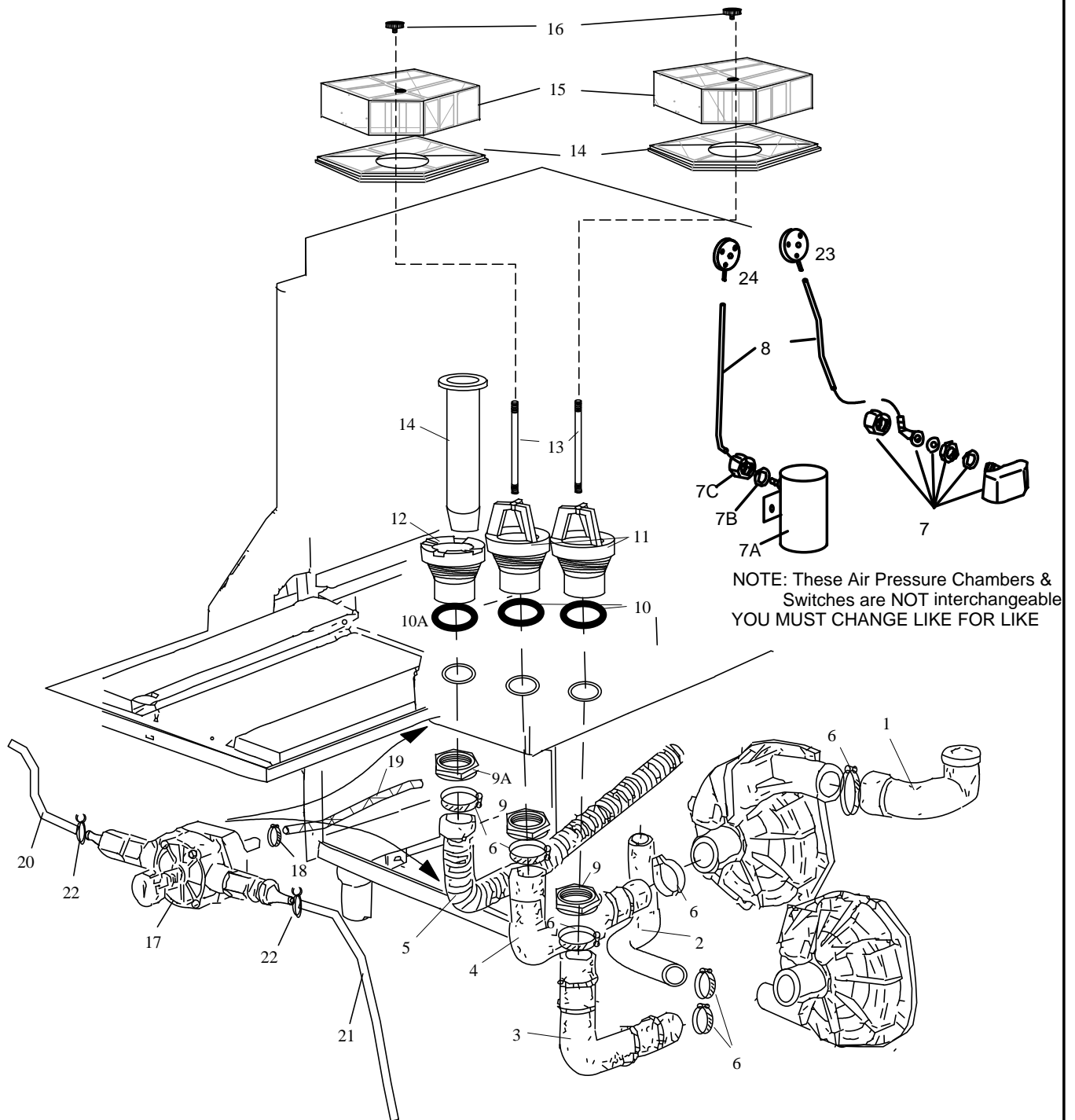
ITEM	DESCRIPTION	PART No
1	CABINET	T14.2.4
2	CORNER PIECE OUTER	7.2.15
3	CORNER PIECE INNER	7.2.14
4	BALL CATCH ASSEMBLY	7.2.10
5	BASKET RUNNER L/HAND POST 98	T10.2.21L
	BASKET RUNNER R/HAND POST 98	T10.2.21R
6	DOOR	T14.2.5
7	DOOR PIN	10.2.16/1
8	SPACER	7.2.35/2
9	CLIP	7.2.35/1
9A	BUSH INSERT FOR DOOR PIN	7.2.35/3
10	HANDLE	7.6.6.3
11	CABINET SCREW	7.2.36
12	WASHER	W009
14	ELEMENT 6kw	HY306
15	O RING SEAL FOR ELEMENT	HY307
16	SCREW FOR HANDLE & SEAL	7.2.36/4
18	BASE/LOWER PANEL	T10.2.7
19	FOOT	HY134
20	RINSE TANK	HY314
22	FRONT PANEL	T10.2.8/1
23	TOP PANEL VERS 1 (70mm)	10.2.1/2
	TOP PANEL VERS 2 & VERS 3 (70mm)	10.2.1/3
25	PANEL SCREW	7.2.40/1
25A	SELF TAPPING SCREW	7.2.40
26	NUTS FOR ELEMENT	11.2.3
26A	WASHER 6MM EXT SHAKEPROOF	7.2.36/8
27	COVER FOR RINSE ELEMENT	7.9.15/1
28	PLASTIC NUT	7.9.16/1
29	TEE PIECE DOUBLE	7.15.2/2
	TEE PIECE SINGLE	7.15.2
30	RINSE HOSE	8.8.15
31	BACK PANEL	T10.2.3
32	HOSE CLIP	7.4.12/1
33	NUT	11.2.3
34	DRAIN BOLT	7.9.5
34A	SEAL FOR DRAIN BOLT	7.9.6
35	CLIP FOR SELF TAPPING SCREW	7.2.41/1
36	SOAP ELBOW ASSEMBLY	7.2.21/ASS
37	SOAP TUBE	RT2
38	DOOR PLUNGER ASSEMBLY	7.14.1
39	DOOR MICRO SWITCH ASSEMBLY	7.14.10/1
40	TEMPERATURE INDICATOR	HY418
41	RINSE AID TUBE	8.8.16

PAGE 2

ISSUE 1 JUNE 2002 WO

CLASSIC GLASS & DISHWASHING SYSTEMS LTD

H800 WASH TANK AND WASTE SYSTEM PARTS



CLASSIC GLASS & DISHWASHING SYSTEMS LTD

WASH TANK & WASTE SYSTEM

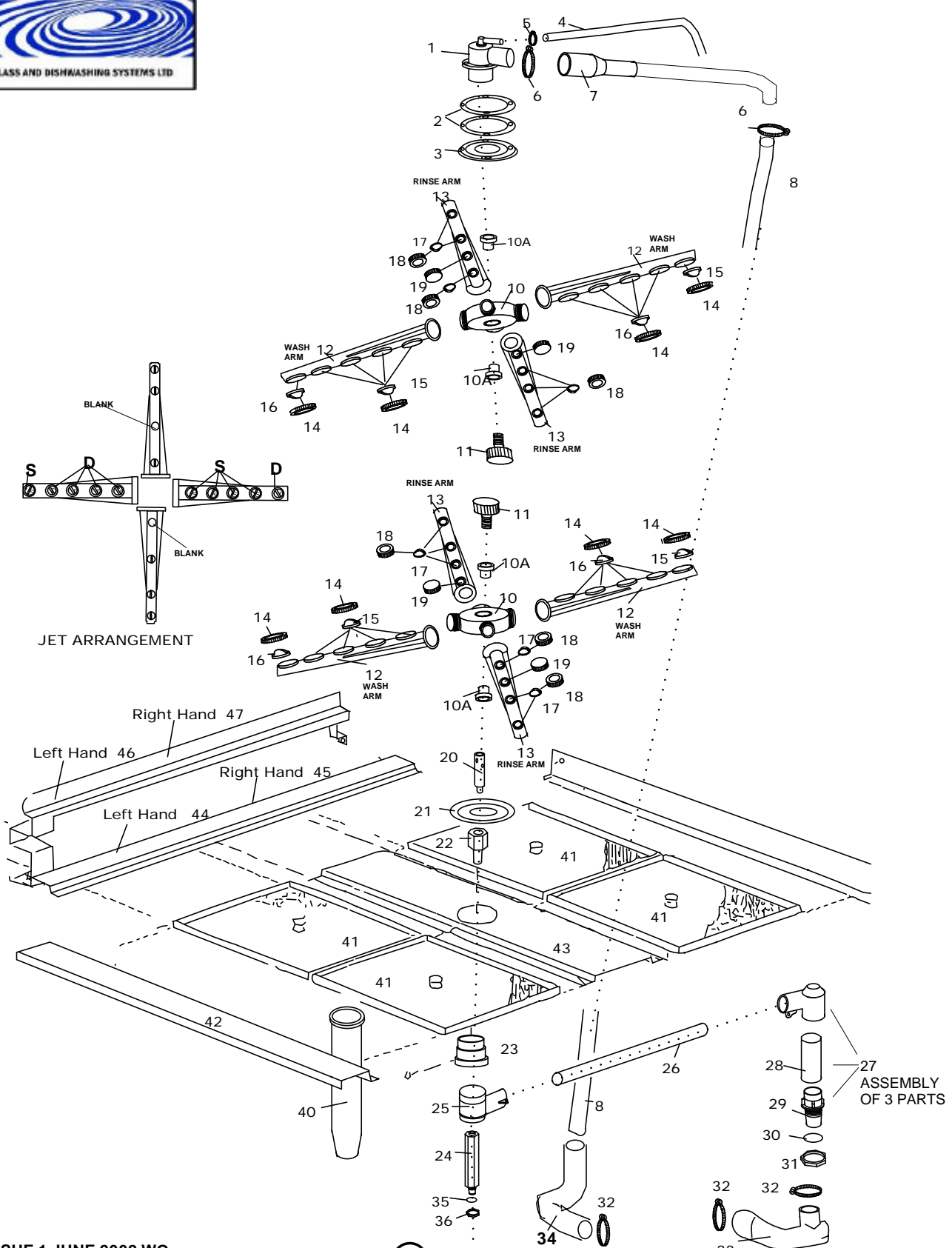
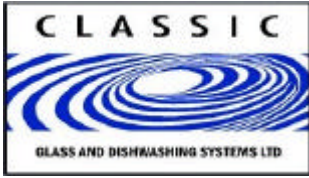
H800

ITEM	DESCRIPTION	PART No
1	HOSE FOR TOP WASH PUMP OUTLET	10.4.7
2	HOSE FOR BOTTOM WASH PUMP OUTLET	10.4.9
3	HOSE FOR BOTTOM WASH PUMP INLET	HY226
4	HOSE FOR TOP WASH PUMP INLET	HY234
5	WASTE OUTLET HOSE	HY305
6	CLIP (40/60)	7.4.12/5
7	AIR TRAP ASSEMBLY SQ TYPE	7.11.1AA
NEW TYPE AIR TRAP FROM 4/99 NOT INTERCHANGABLE		
7A	AIR TRAP NEW TYPE - ROUND POST 4/99	7.11.1/H
7B	O RING - POST 4/99	7.11.5H
7C	NUT	7.11.4
8	HOSE TO AIR PRESSURE SWITCH	RT3
9	PLASTIC NUT MEDIUM	7.8.6
9A	PLASTIC NUT LARGE	9.8.6
10	O RING SEAL LARGE 45 ID	9.8.13
	O RING SEAL 40 ID	7.8.13
11	BOSS TO WASH PUMPS	9.8.4
12	WASTE BOSS	9.10.2
13	SPIGOT	8.8.3/1
14	DRAIN PLUG	T10.10.1
15	FILTER BASKET TOP	9.8.2/B
15A	FILTER BASE	9.8.2/C
15B	FILTER COMPLETE	9.8.2/D
16	NUT FOR FILTERS	7.8.1
17	RINSE AID INJECTOR	7.7.0.1/1
18	CLIP	7.4.12/1
19	RINSE HOSE	8.8.15
20	HOSE FROM INJECTOR TO RINSE TANK	8.8.16
21	TUBE TO RINSE AID BOTTLE	RT2
22	CLIP 7-10mm	7.7.0/22
23	AIR PRESSURE SWITCH - PRE 4/99	7.12.9
24	AIR PRESSURE SWITCH - POST 4/99	7.12.9/H

CLASSIC GLASS & DISHWASHING SYSTEMS LTD

H800

WASH & JET SYSTEM



CLASSIC GLASS & DISHWASHING SYSTEMS LTD

WASH & JET SYSTEM

H800

ITEM	DESCRIPTION	PART No
1	TOP BOSS	12.2.1/4
2	CORK SEAL	12.2.2
3	FLANGE	13.2.11/1
4	RINSE HOSE	8.8.15
5	CLIP (12/20)	7.4.12/1
6	CLIP (35/50)	7.4.12
7	HOSE	14.2.1/2
8	METAL TUBE	NOT REQ
10	CENTRE BOSS WITH BUSHES	11.1.0/1
10A	BUSH	11.1.9
11	NUT FOR SECURING ARM	11.1.8/2
12	WASH ARM	14.1.6/5
13	RINSE ARM	14.1.6/6
14	NUT FOR WASH JET	11.1.6/7
15	WASH JET R/H 'D' - WIDE	11.1.6/10W
16	WASH JET L/H 'S' WIDE	11.1.6/9W
17	RINSE JET	11.1.6/12
18	NUT FOR RINSE JET	11.1.6/11
19	RINSE BLANK	11.1.6/14
20	CENTRE PIN	11.1.7/2
21	BOTTOM FLANGE(SAUCER WASHER)	11.1.10/6
22	BRASS SUPPORT	11.1.7/7
24	RINSE SUPPORT FITTING 92 TO 98 170MM SHAFT	14.1.10/3A
	RINSE SUPPORT FITTING - POST 98 185MM SHAFT	14.1.10/4A
25	CENTRE ELBOW WITH SUPPORT	11.1.5/3
26	CROSS TUBE	14.1.4
27	REAR ELBOW ASSEMBLY	14.1.1/8
28	TUBE	T14.1.1A
29	WASH COLUMN ONLY	T14.1.1
30	O RING SEAL	9.8.13
31	NUT	7.8.6
32	CLIP	7.4.12/4
33	HOSE FOR TOP WASH PUMP OUTLET	10.4.7
34	HOSE FOR BOTTOM WASH PUMP OUTLET	10.4.9
35	SEAL	7.5.9
36	NUT	7.3.13
40	DRAIN PLUG	T10.10.1
41	PLASTIC FILTER TRAY	10.2.9
42	FRONT FILTER SUPPORT POST 98	10.2.9/11
43	CENTRE SUPPORT	10.2.9/10
44	RIGHT HAND SUPPORT POST 98	10.2.9/2
45	LEFT HAND SUPPORT POST 98	10.2.9/1
46	BASKET RUNNER - LEFT HAND POST 98	T10.2.21L
47	BASKET RUNNER - RIGHT HAND POST 98	T10.2.21R

Note: BASKET RUNNERS ARE 525mm BACK TO FRONT

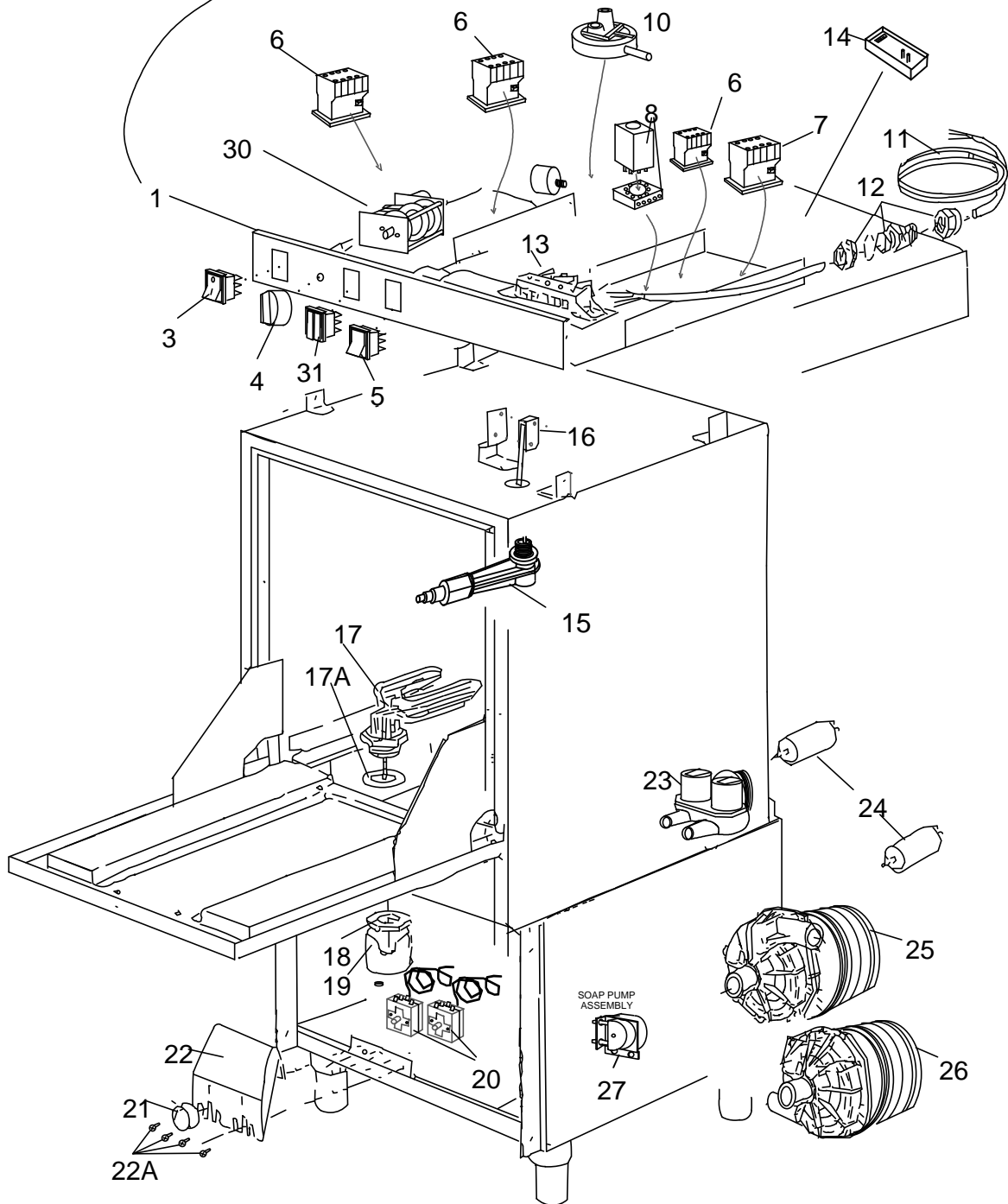
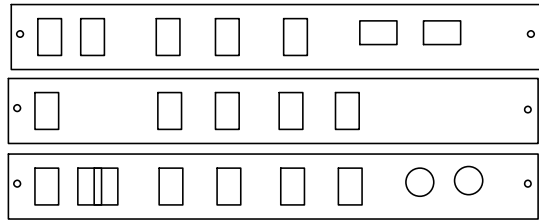
CLASSIC GLASS & DISHWASHING SYSTEMS LTD

H800

ELECTRICAL PARTS



METAL FACSIMIA
PANELS
&
STICK ON FACSIMIA



CLASSIC GLASS & DISHWASHING SYSTEMS LTD

ELECTRICAL PARTS

H800

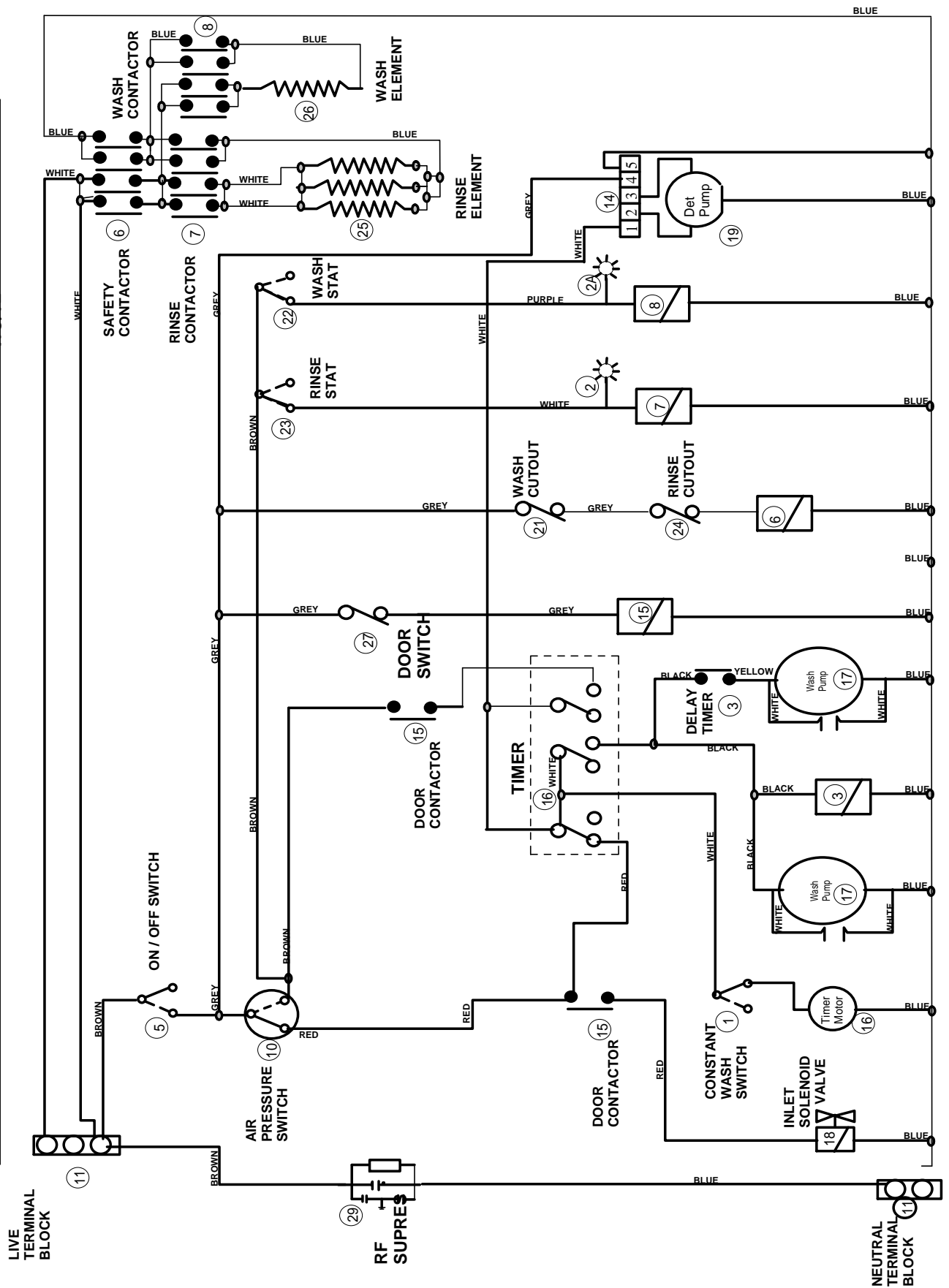
ITEM	DESCRIPTION	PART No
1A	METAL FACSIA PANEL (65MM WIDE)	10.2.2/4
	STICK ON FACSIA FOR 1A	FASC/H800
1B	METAL FACSIA PANEL (55MM WIDE)	10.2.2/3V
	STICK ON FACSIA FOR 1B	FASCIA/H800 NT
1C	METAL FACSIA PANEL (50MM WIDE)	10.2.2/5
	STICK ON FACSIA FOR 1C	FASC/H800-NL2
3	ON/OFF SWITCH	7.12.4/21
4	TIMER KNOB	VTKNOB
5	CONTINUOS WASH SWITCH	7.12.5
6	CONTACTOR - 16 AMP	CONTACTOR /4
7	SAFETY CONTACTOR	CONT/12
8	DELAY TIMER & BASE	T8DELAY
10	PRESSURE SWITCH FOR SQ AIR TRAP	7.12.9
	AIR PRESSURE SWITCH FOR ROUND AIR TRAP	7.12.9H
11	MAINS CABLE	7.12.10/3
12	SECURING GLAND	7.12.21/6
13	TERMINAL BLOCK	7.12.7/A
14	PCB FOR SOAP PUMP	CLM 210
15	DOOR PLUNGER ASSEMBLY	7.14.1
16	DOOR MICRO SWITCH ASSEMBLY	7.14.10/1
17	WASH ELEMENT 4.5 kw - 3 PHASE	HY401
17 A	SEAL FOR 3 PHASE ELEMENT	HY402
NOT SHOWN	WASH ELEMENT 4.7 SINGLE PHASE	9.12.18
18	NUT FOR 3 PHASE ELEMENT	HY403
19	COVER FOR 3 PHASE ELEMENT	HY404
20	THERMOSTAT (BOTH)	7.12.1/2
21	KNOB FOR STAT	7.12.1/2A
22	COVER	7.12.1/1A
22A	SCREW	7.9.13/9S
23	DOUBLE SOLENOID WATER VALVE	7.12.12
24	CAPACITOR 12.5 mf	7.12.102
25	WASH PUMP WITH R/A OUTLET	9.6.0/R
26	WASH PUMP WITH BLANK	9.6.0/B
NOT SHOWN		
	HOUSING FOR PUMP (FRONT) FOR 9.6.0/R	9.6.1/A
	HOUSING FOR PUMP(FRONT) FOR 9.6.0/B	9.6.1/B
	IMPELLOR	9.6.2
	SEAL KIT FOR SHAFT	7.6.3
	GASKET FOR HOUSING	9.6.13B
	BACK PLATE FOR HOUSING	9.6.14B
27	SOAP PUMP ASSEMBLY	8LPP4AA
30	TIMER - VARIABLE 4MIN FOR 1A (METAL BODY)	VARI4
	TIMER - VARIABLE 4MIN FOR ITEM 1B & 1C	
	FLAT PLASTIC BODY	VARI4/1
31	DOUBLE HEATER INDICATOR LIGHT	7.12.6E

CLASSIC GLASS & DISHWASHING SYSTEMS LTD

HYDRO 800 1 PHASE ONLY - SERIAL No PRIOR TO ??? - 916

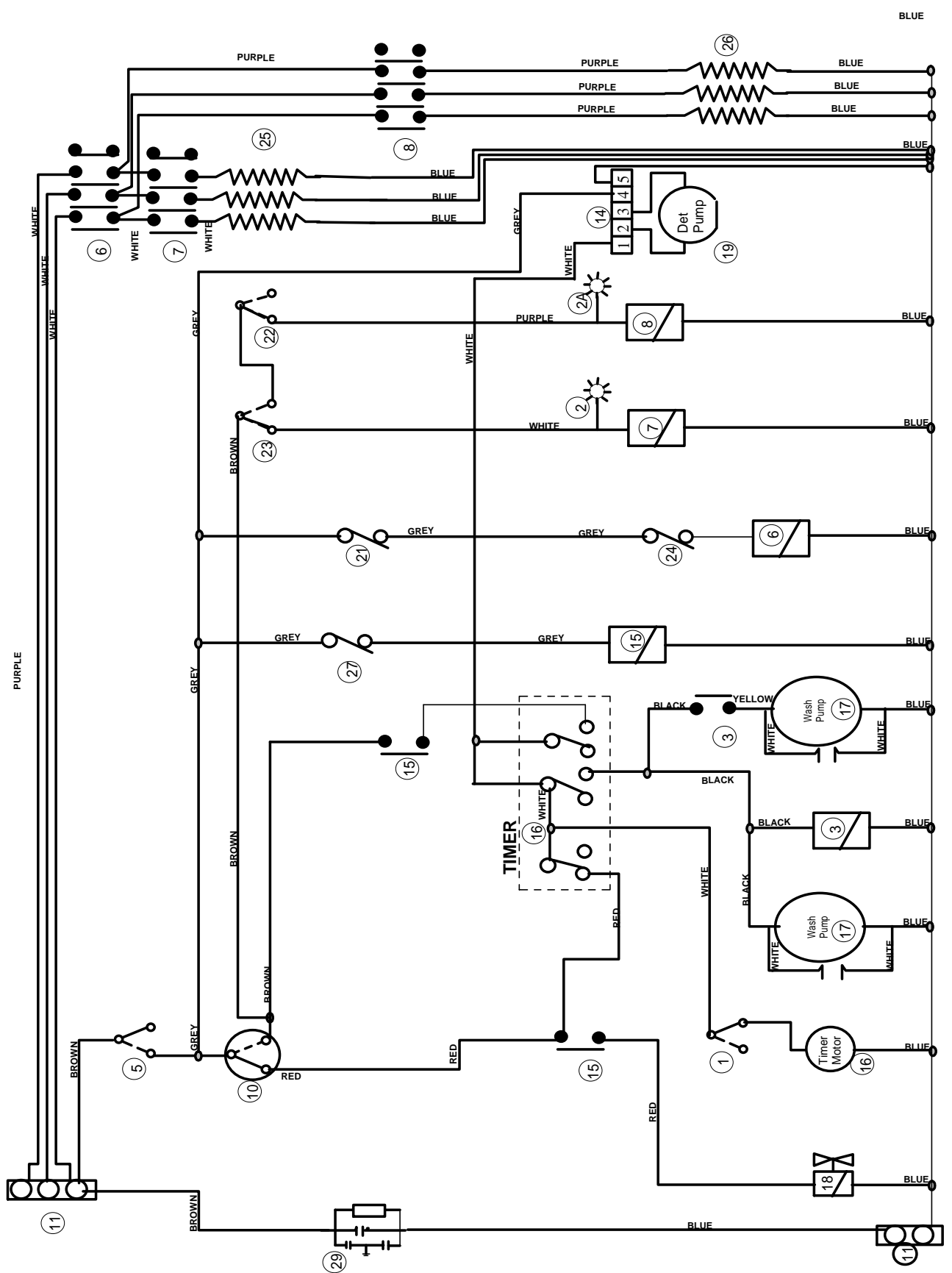
ELECTRICAL SCHEMATIC DIAGRAM HYDRO 800 Version 1

WO/TL



CLASSIC GLASS & DISHWASHING SYSTEMS LTD
 HYDRO 800 3ph/1ph FROM SERIAL No ??? - 916

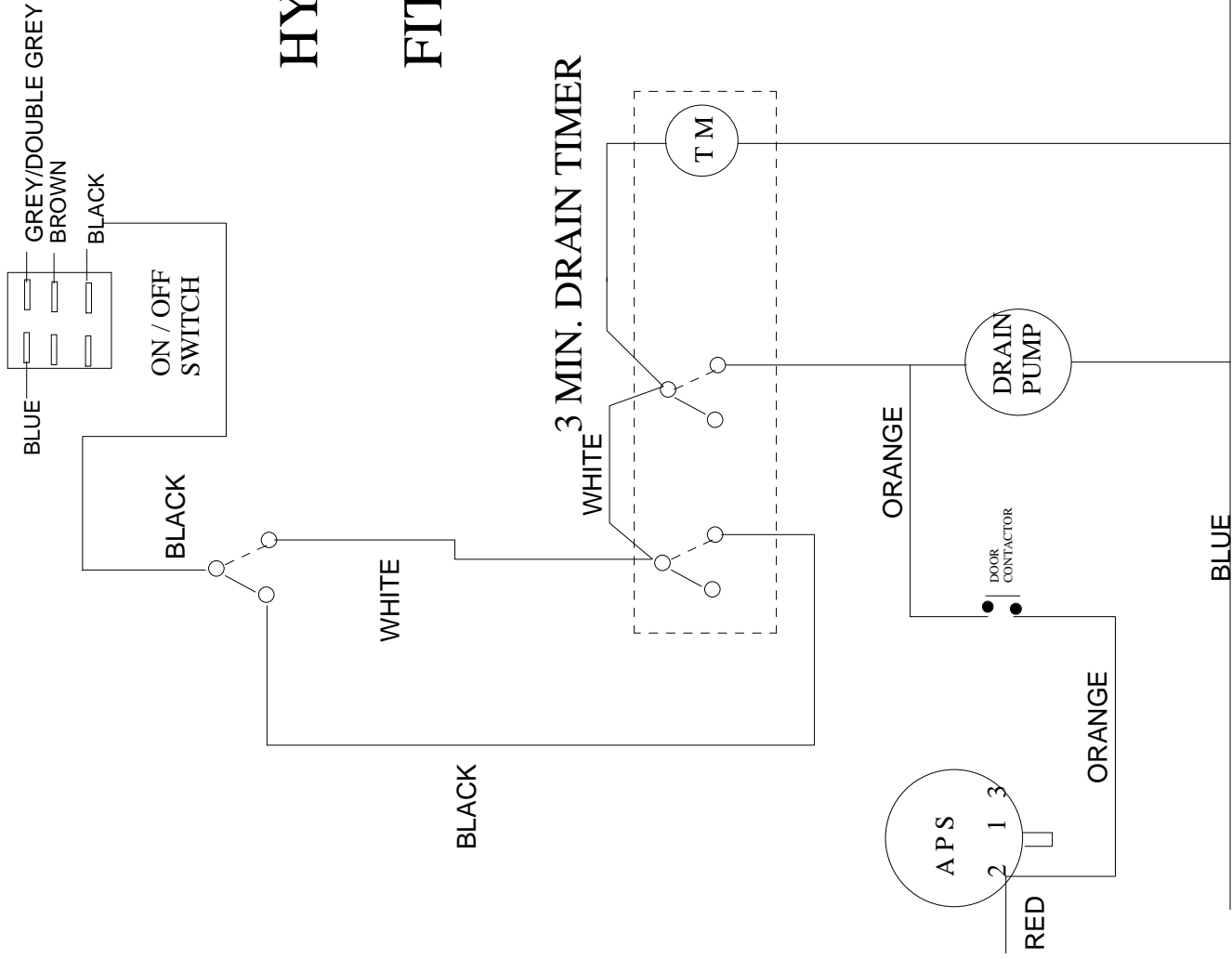
ELECTRICAL SCHEMATIC DIAGRAM HYDRO 800 3ph/1ph/RD
 NEW LINE MACHINE WITH B6 & B12 CONTACTORS
 Version 2





HYDRO 800

FITTING A TIMED DRAIN PUMP

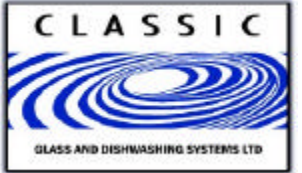


PARTS REQUIRED

Description	Qty	Part No
DRAIN PUMP	1 x	DP2
DRAIN HOSE	1 x	DPHOSE
DRAIN TIMER	1 x	7.12.2/5
DRAIN SWITCH	1 x	7.12.4/2A
HOSE CLIP	1 x	7.4.12
ON/OFF SWITCH 1 x 7.12.5 (six pin switch)		

CLASSIC H8 DISHWASHER

REVISION E
LM-H8-24



Drawing TNL

24Volt CONTROL SYSTEM

FROM MARCH 2003
Serial No ?????- 312

