



Food Preparation

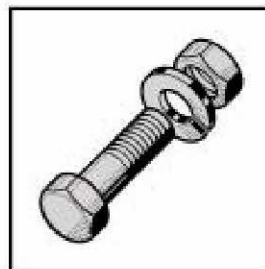
HOBART



MIXER

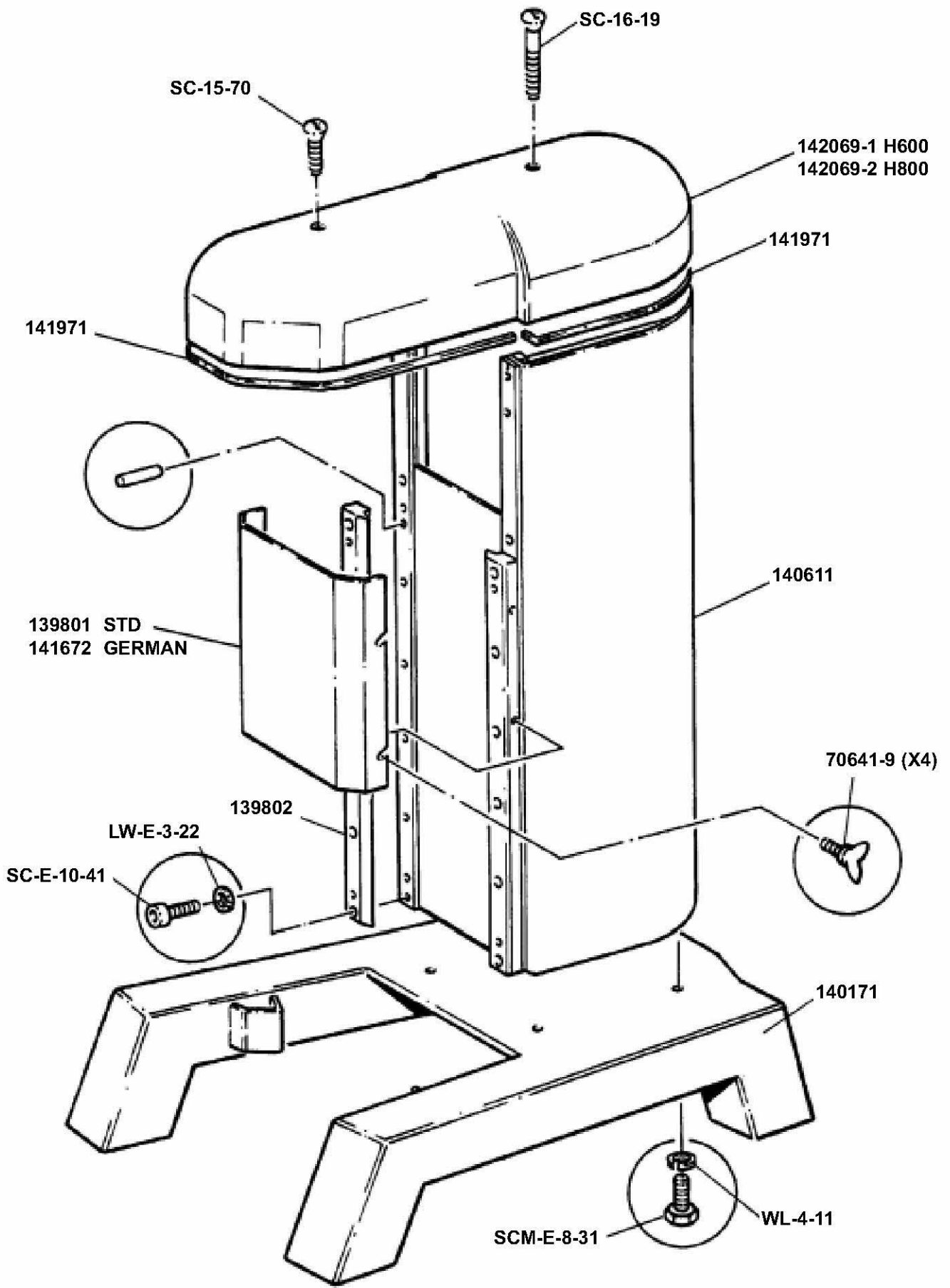
H600 / 800

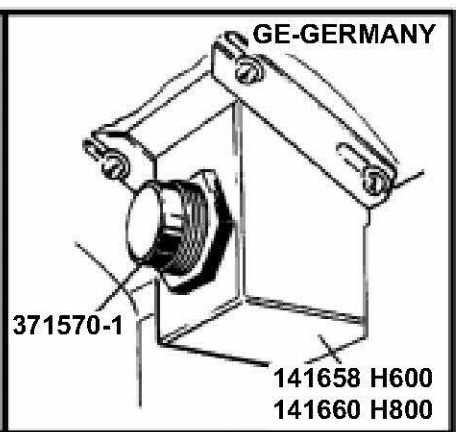
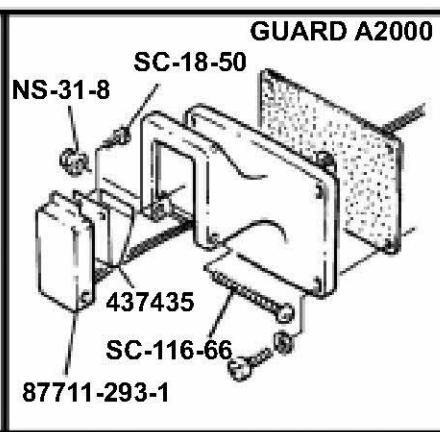
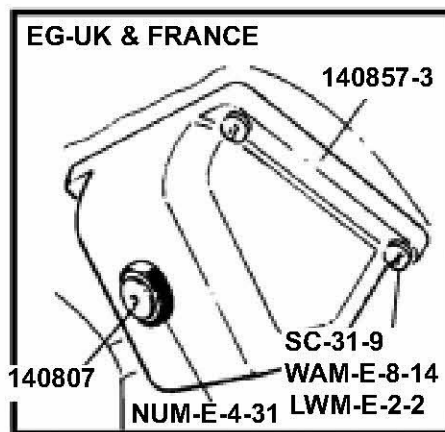
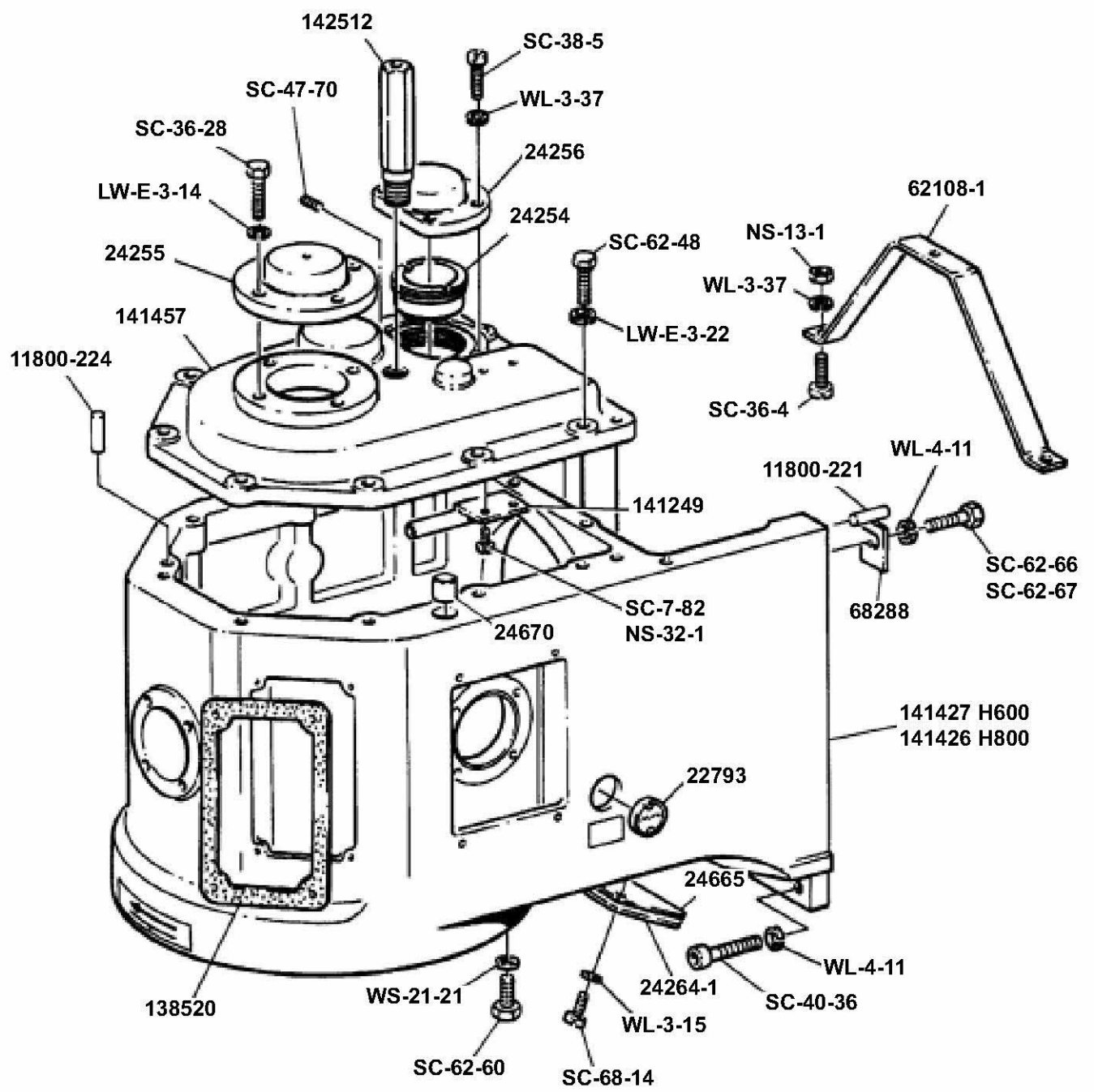
Spare Parts
Pièces Détachées
Ersatzteile
Onderdelen

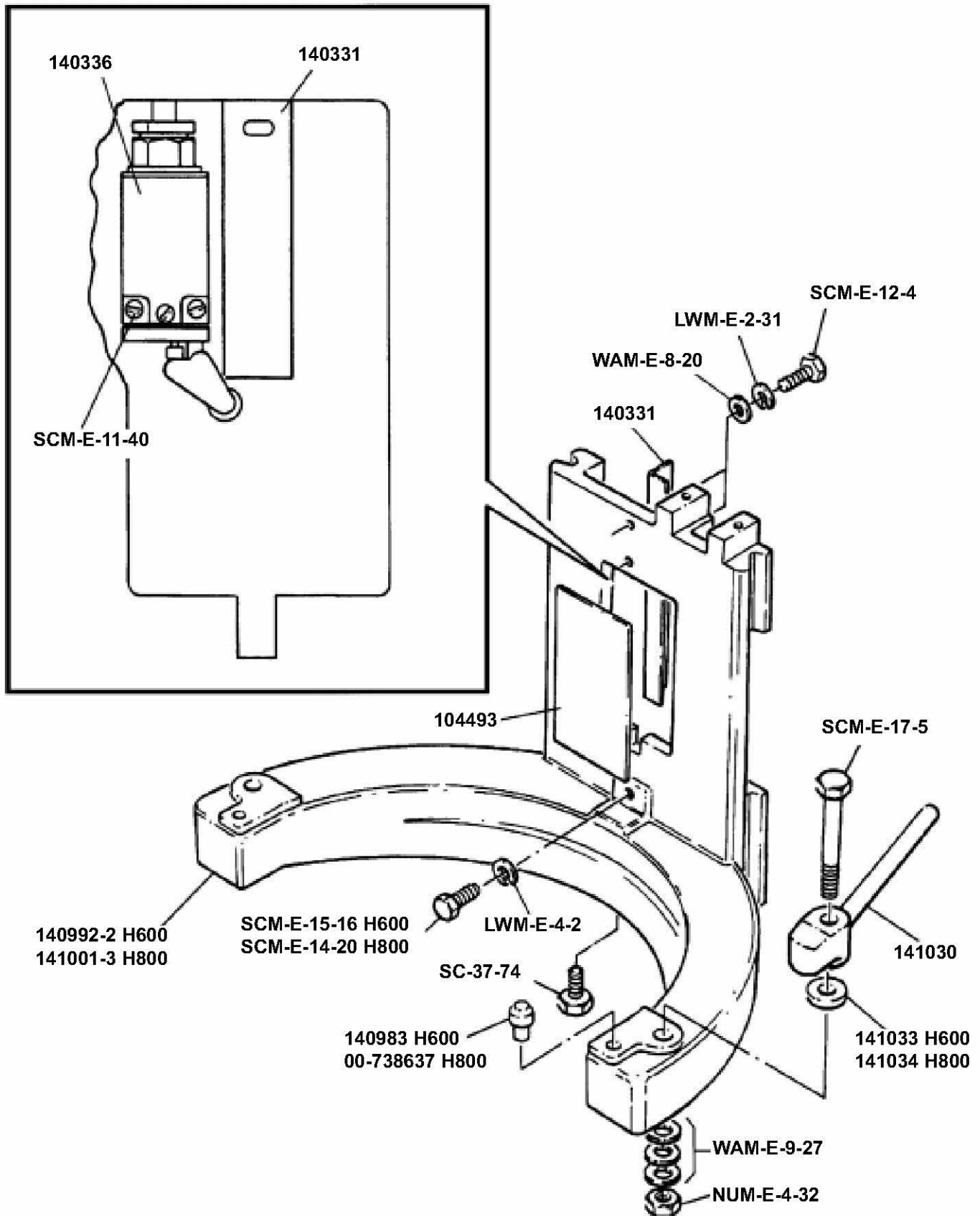


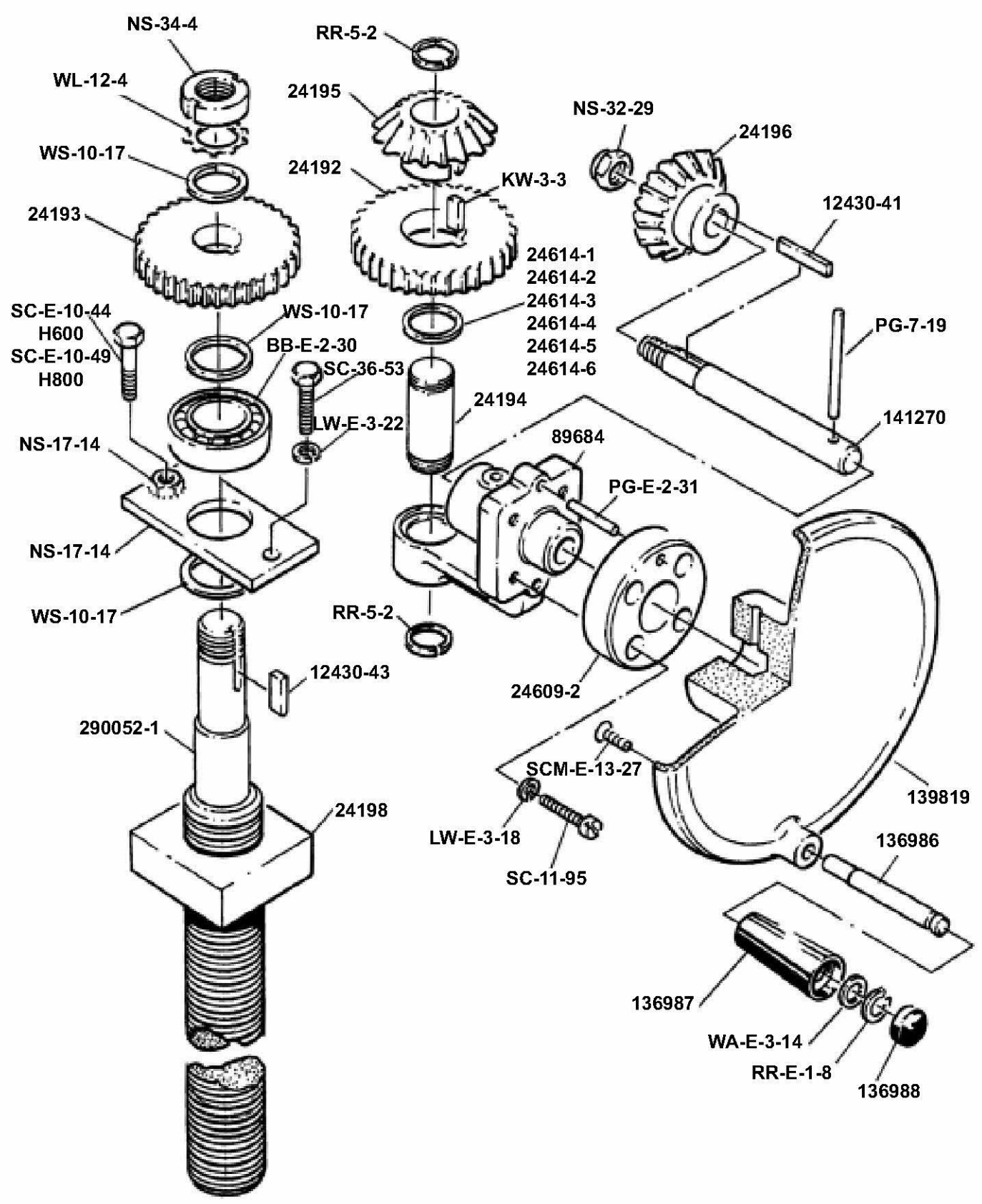
This document is the property of Hobart Manufacturing. Reproduction of this document is prohibited without the written consent of Hobart Manufacturing.

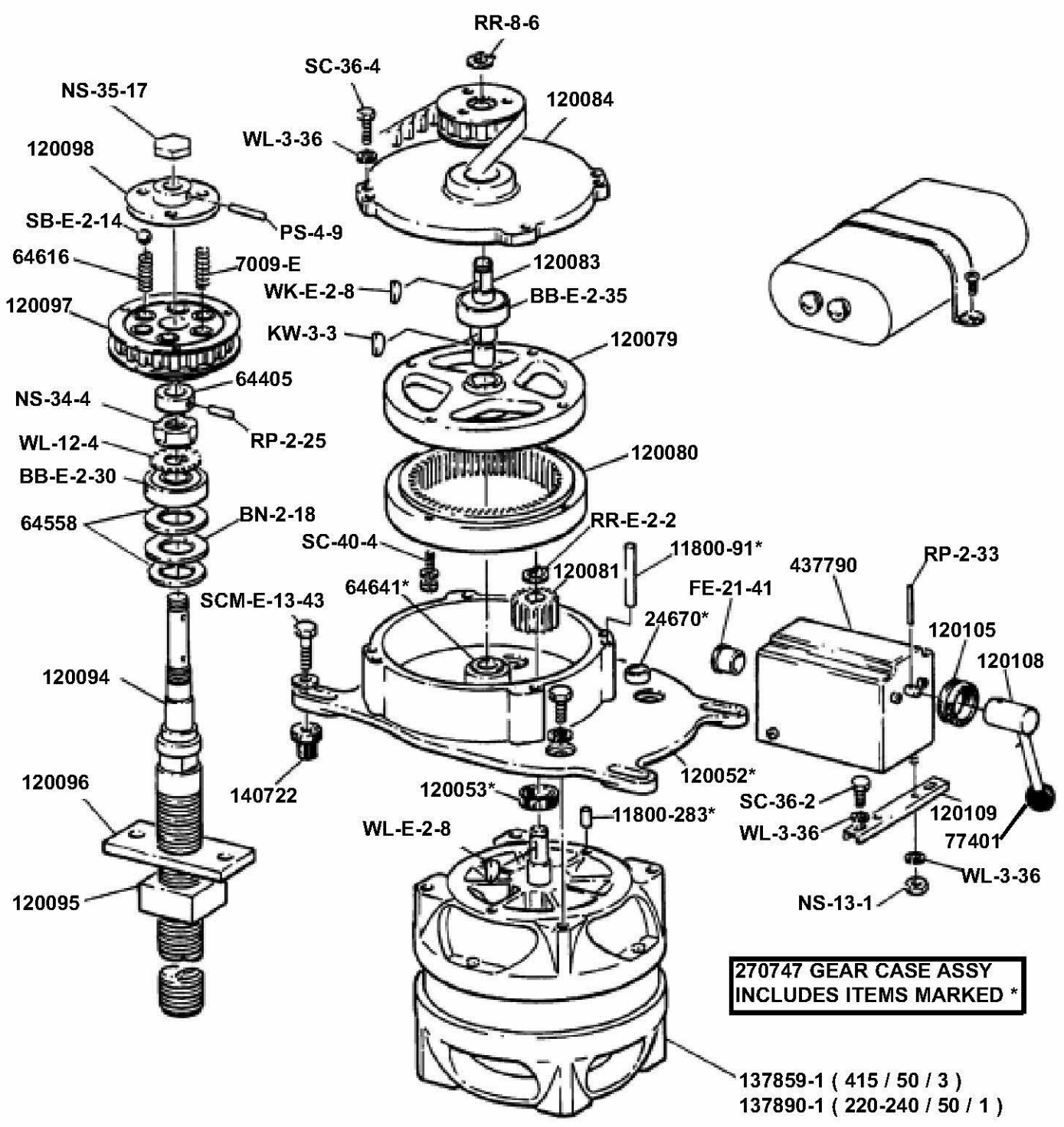
Base and Pedestal Unit.....	2
Base et Colonne	
Gehäuse mit standfüßen	
Transmission Case Unit.....	3
bolte de Vitesses	
Antriebsgehäuse	
Bowl Support and Bowl lift.....	4 / 5
Support et Relevage de bol	
Kesselheber und Haalterung	
Power Bowl Lift.....	6
Relevage Automatique de Bol	
Automatischer Kesselhub	
Attachment Hub.....	7
Cannon port-accessoires	
Ansatznabe	
Shifting Unit.....	8
Changement de Vitesses	
Geschwindig Keitswahlschalter	
Planetary Shaft.....	9
Planétaire arbe	
Planetengetriebewelle	
Clutch Shaft.....	10
Arbe des clabots	
Kupplungswelle	
Worm Gear Shaft.....	11
Arbre roue hélicoidal	
Schneckenradwelle	
Planetary.....	12
Planétaire	
Planetengezriebe	
Guard Assembly.....	13
Sécurité de bol	
Schutzgitter	
Guard Assembly 2000.....	14
Sécurité de bol 2000	
Schutzgitte 2000	
Motor.....	15
Moteur	
Motor	
Timer.....	16
Minuterie	
Zeitschater	
Electrics.....	17 / 18
Électriques	
Elektrik	
Bowl and Equipment.....	19
Bol et Équipement	
Kessel und Ausrüstung	
Agitators.....	20
Agitateurs	
Rührwerkzeige	

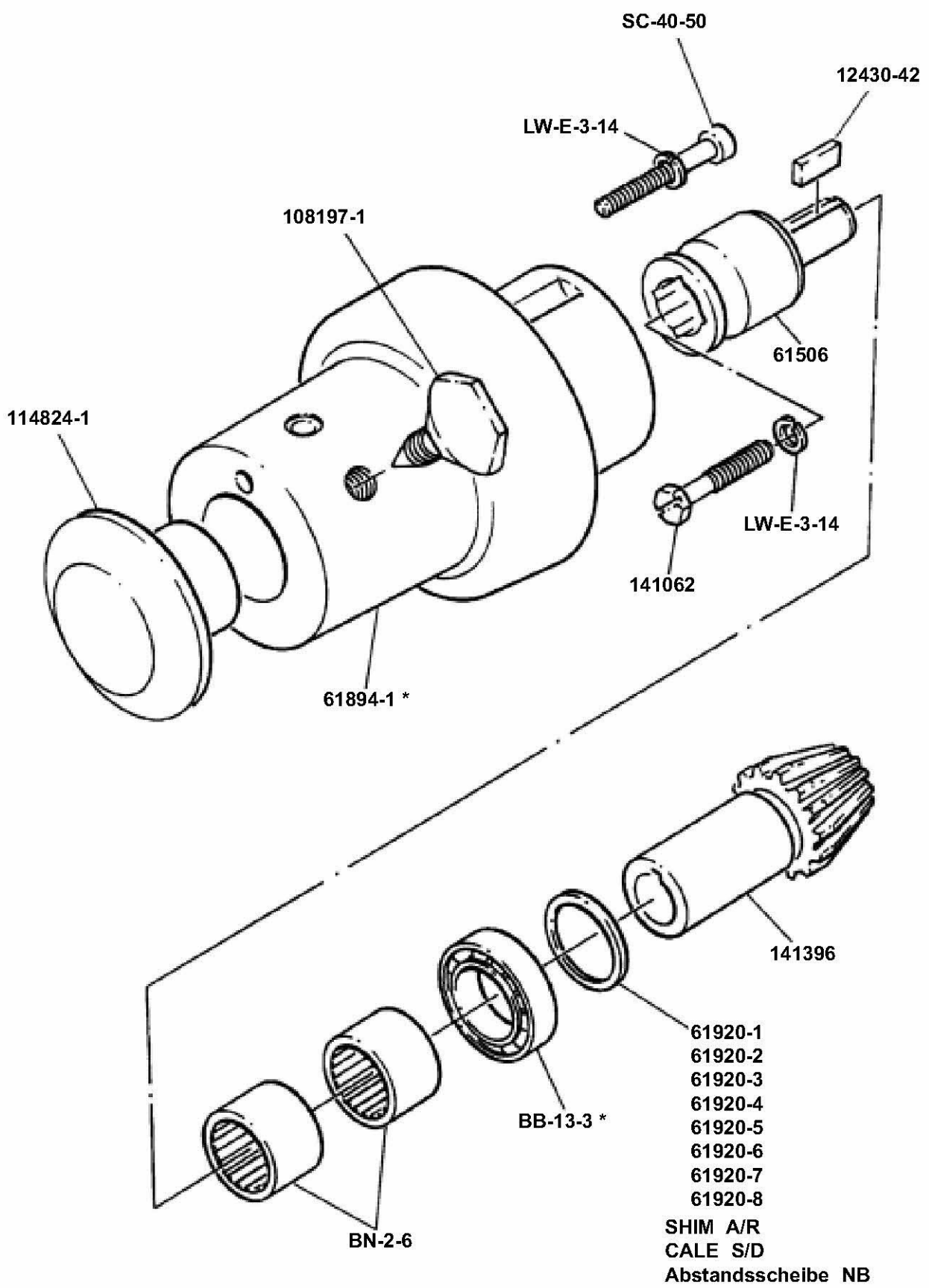


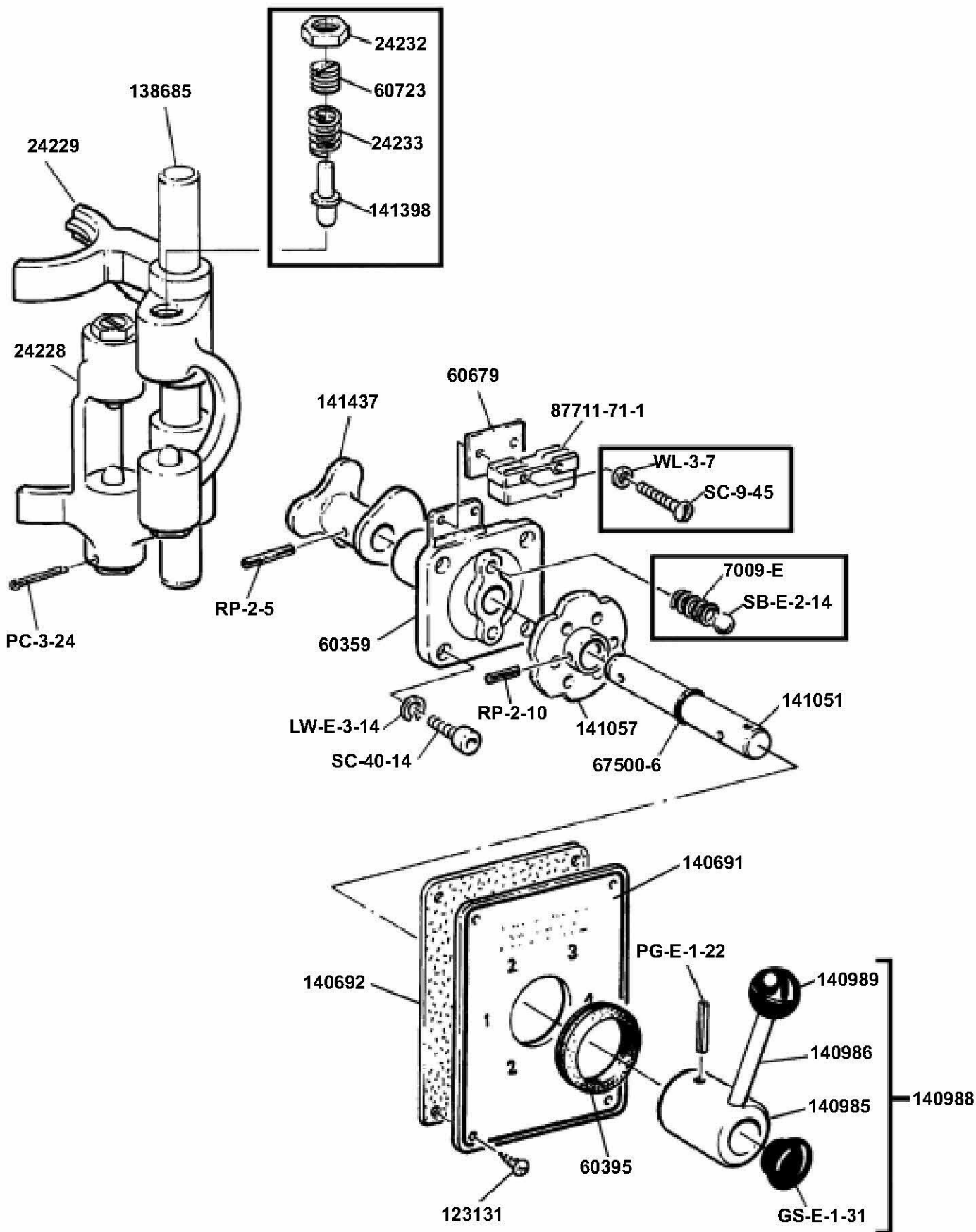




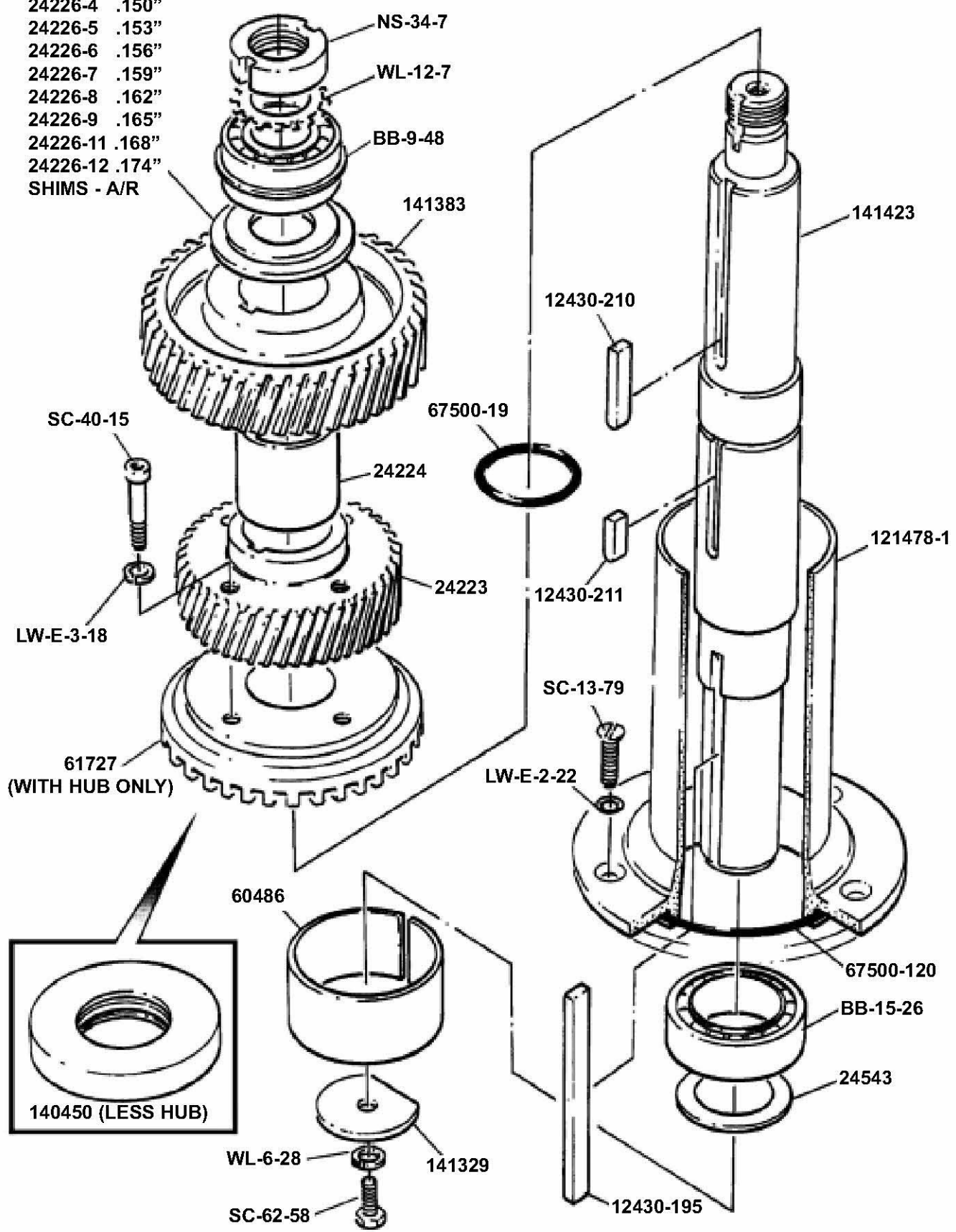


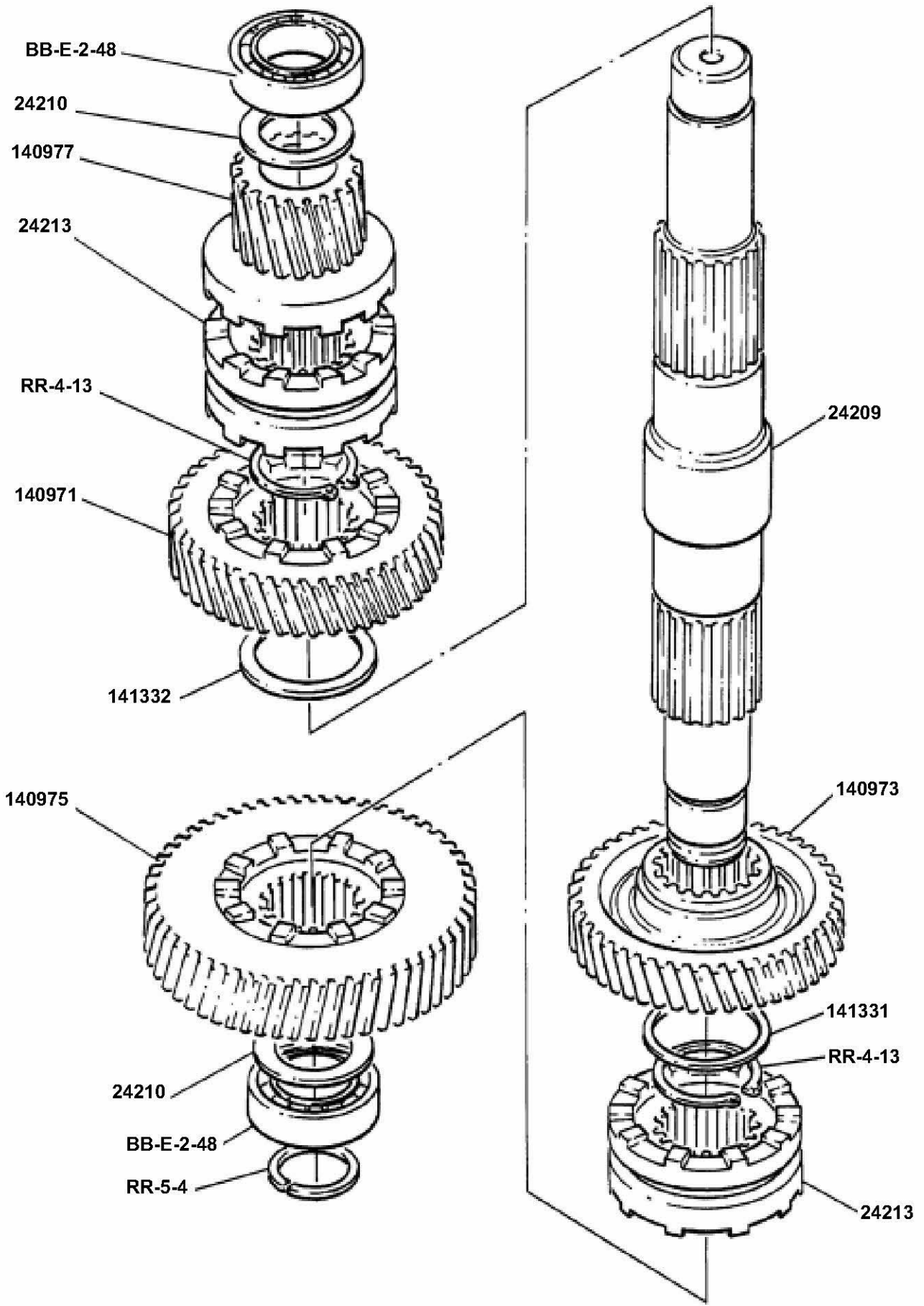


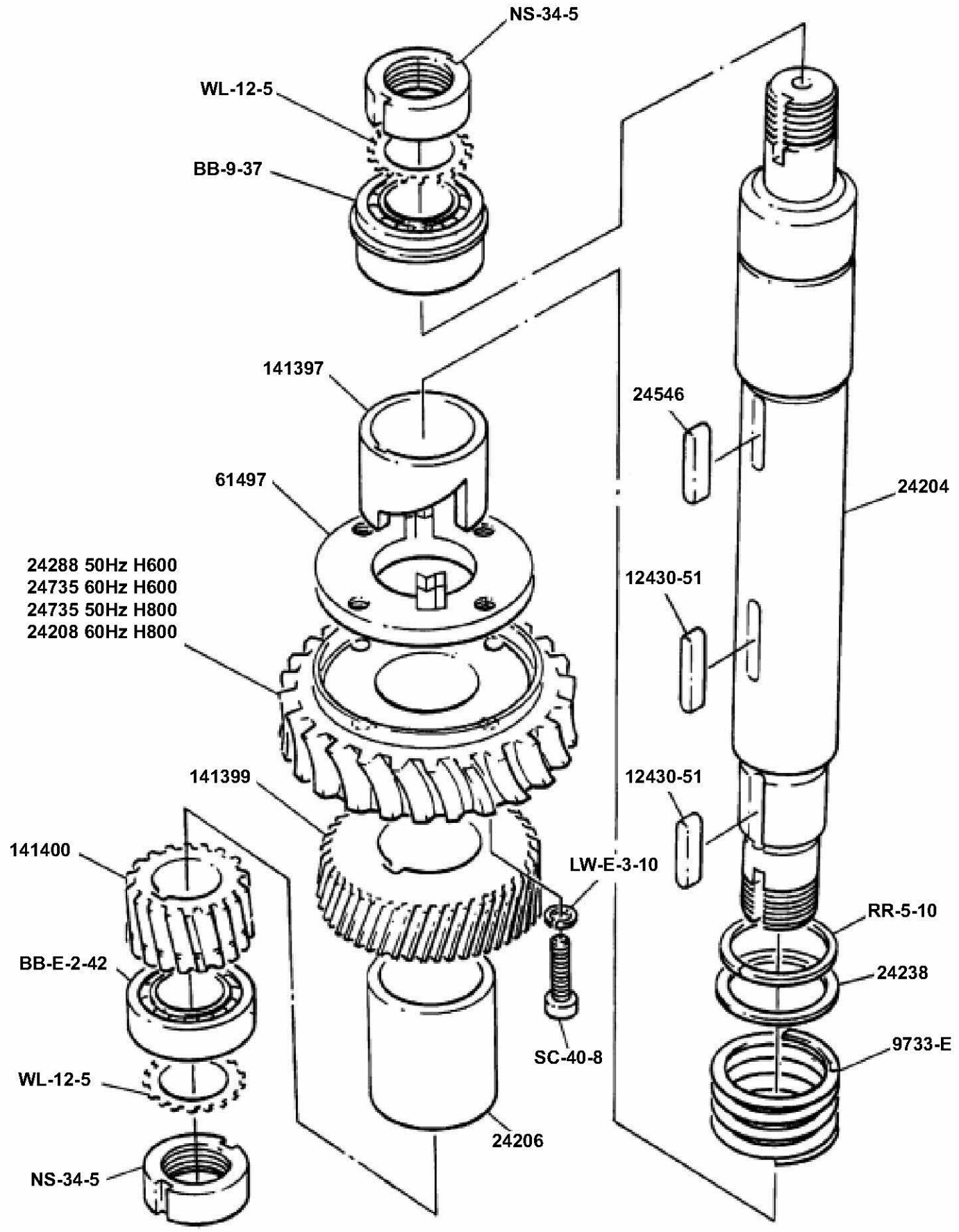


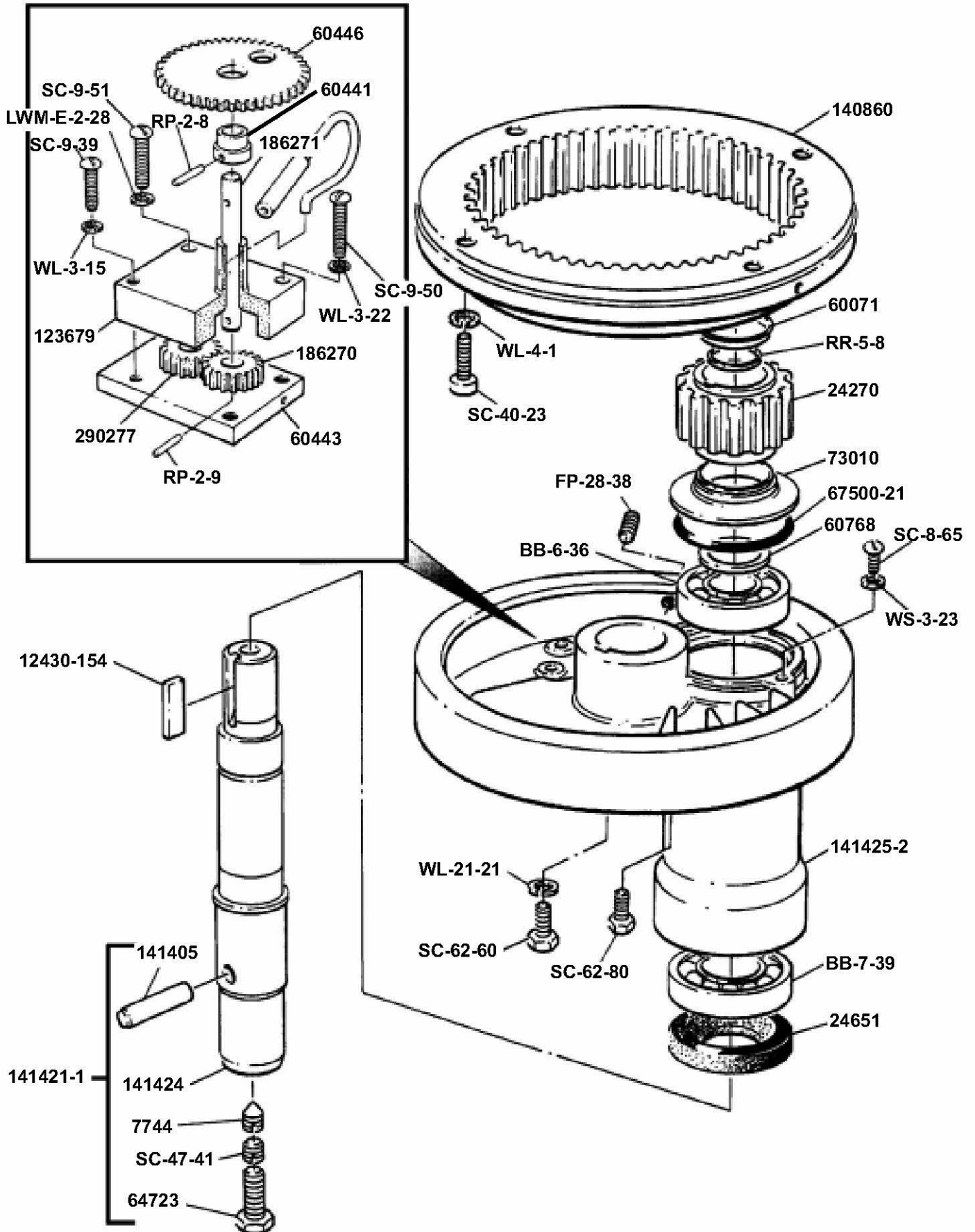


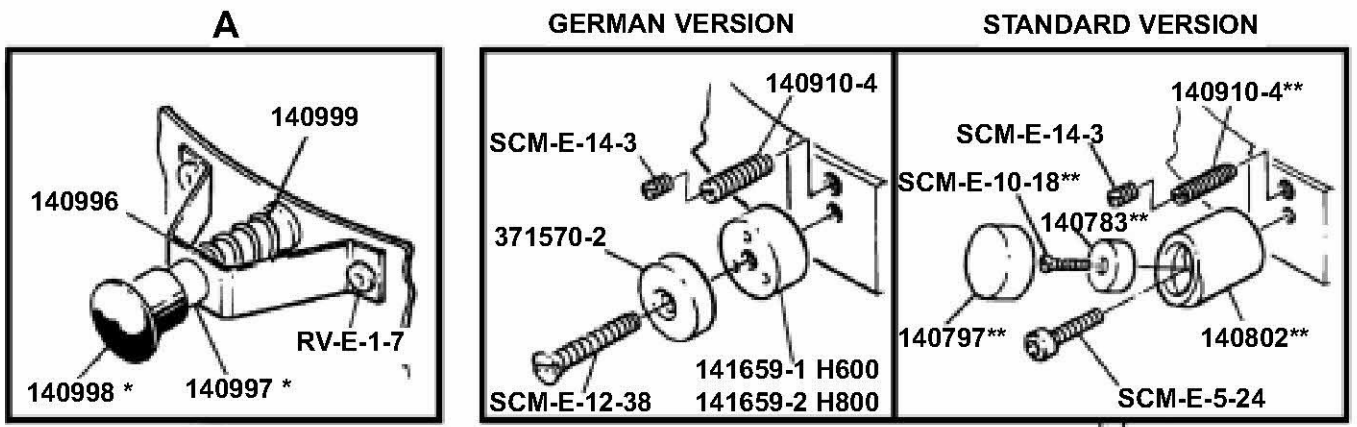
- 24226-4 .150"
- 24226-5 .153"
- 24226-6 .156"
- 24226-7 .159"
- 24226-8 .162"
- 24226-9 .165"
- 24226-11 .168"
- 24226-12 .174"
- SHIMS - A/R





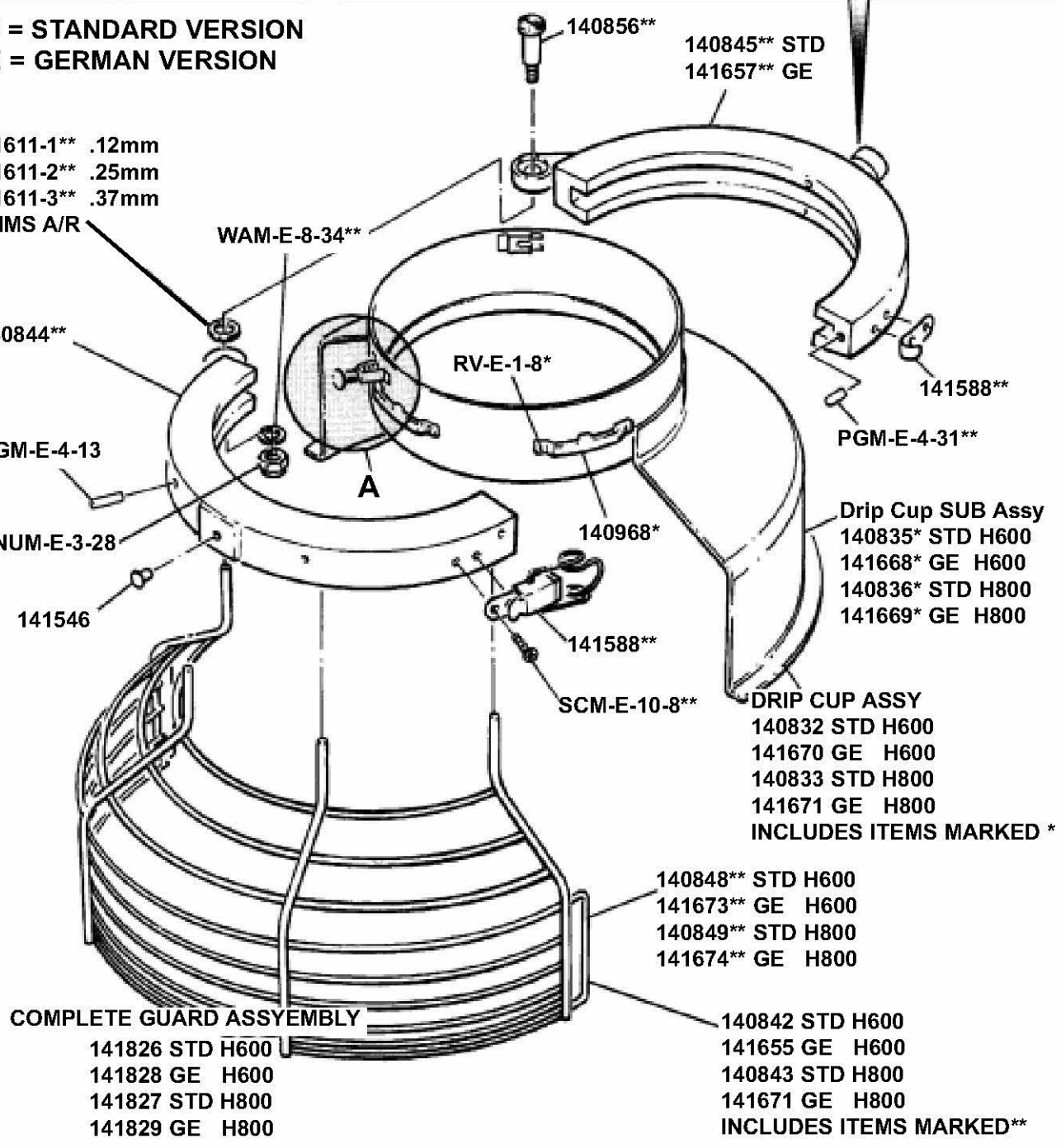






STD = STANDARD VERSION
GE = GERMAN VERSION

- 141611-1** .12mm
- 141611-2** .25mm
- 141611-3** .37mm
- SHIMS A/R

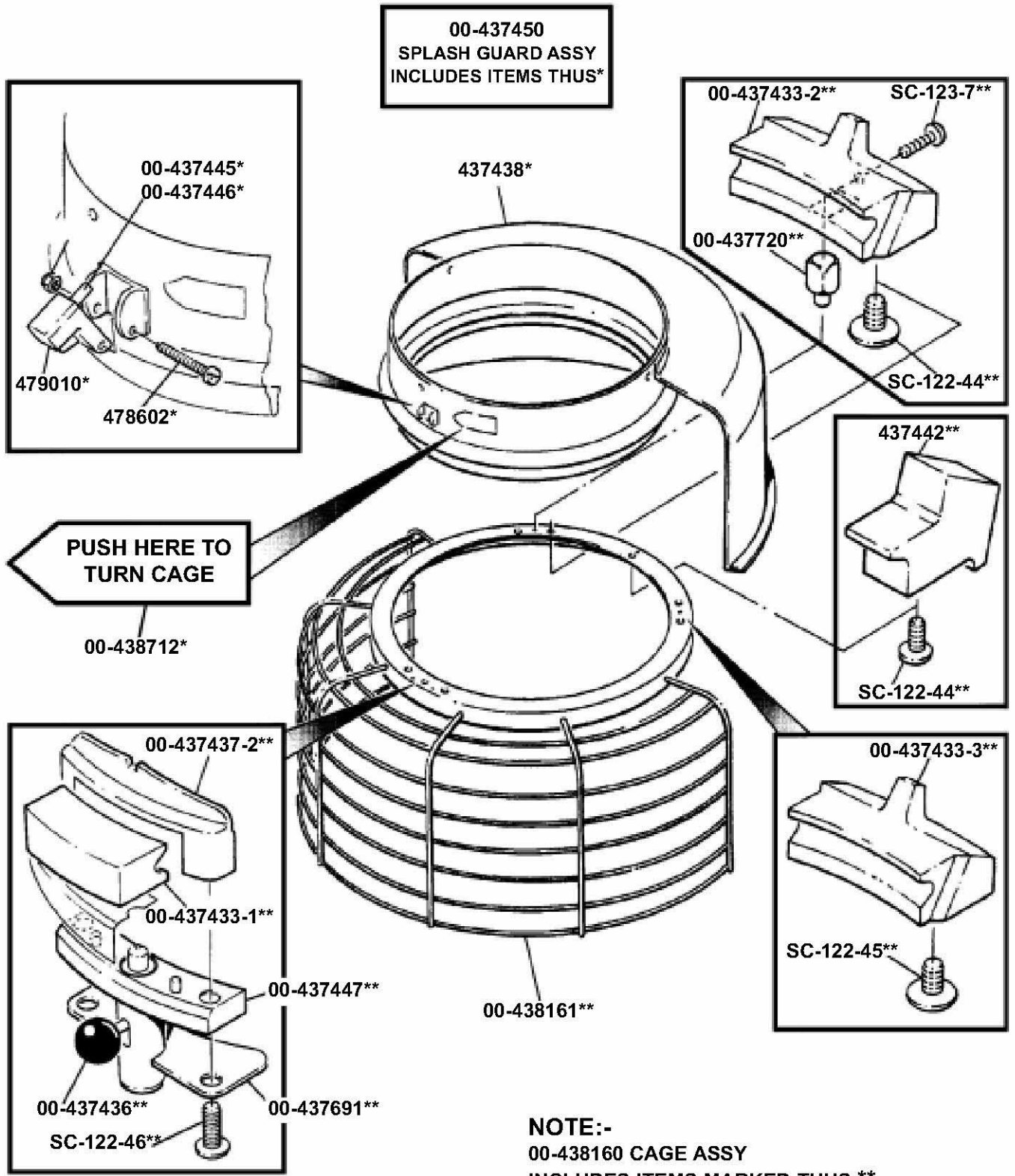


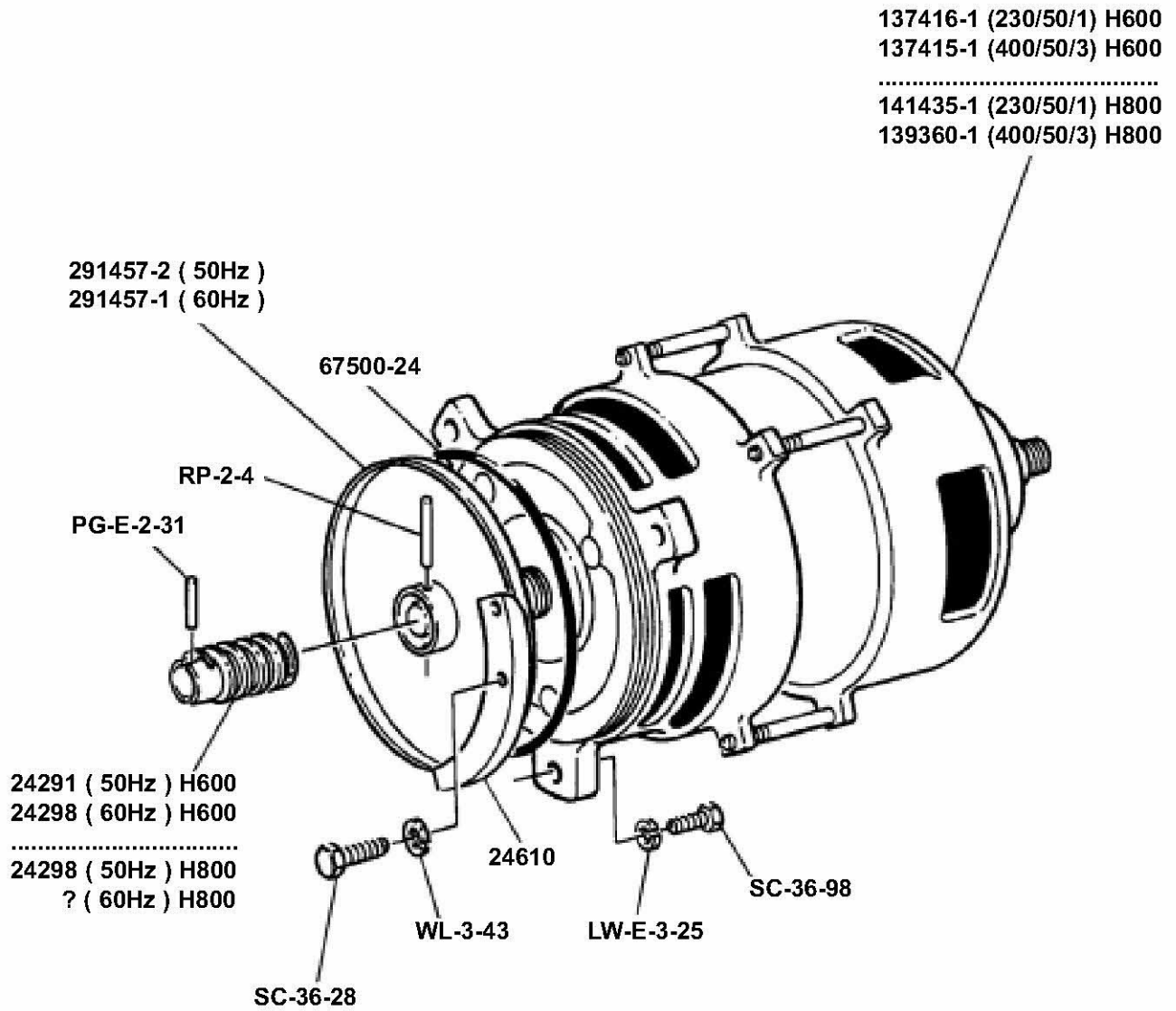
- Drip Cup SUB Assy
- 140835* STD H600
- 141668* GE H600
- 140836* STD H800
- 141669* GE H800

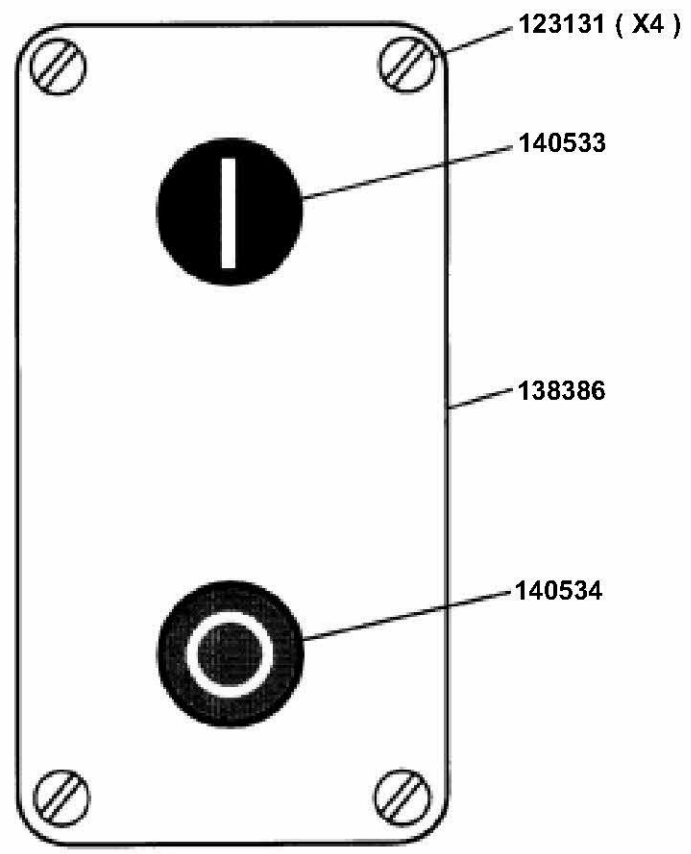
- DRIP CUP ASSY
- 140832 STD H600
- 141670 GE H600
- 140833 STD H800
- 141671 GE H800
- INCLUDES ITEMS MARKED *

- COMPLETE GUARD ASSYMBLY
- 141826 STD H600
- 141828 GE H600
- 141827 STD H800
- 141829 GE H800

- 140842 STD H600
- 141655 GE H600
- 140843 STD H800
- 141671 GE H800
- INCLUDES ITEMS MARKED**

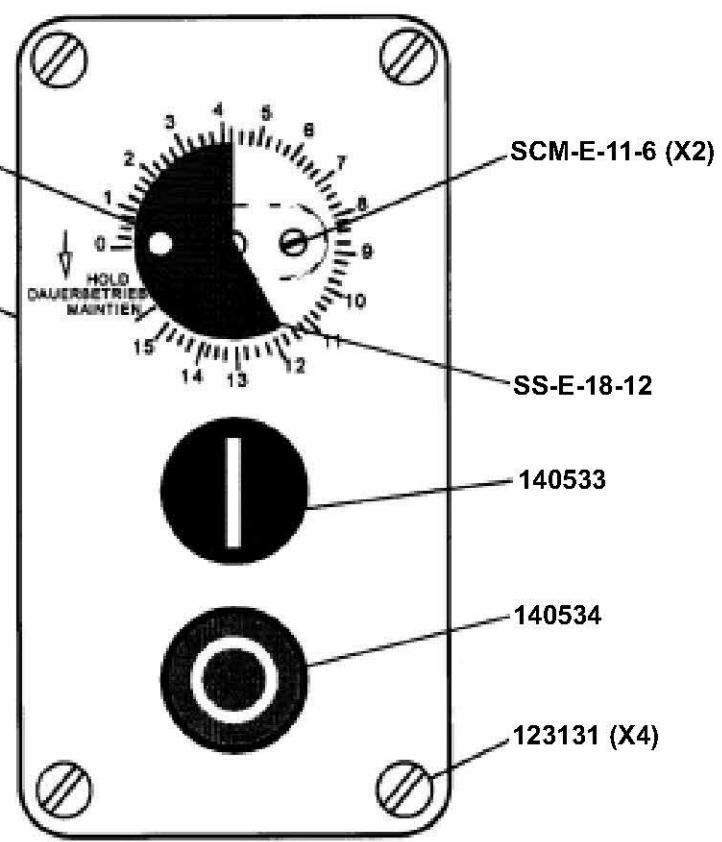


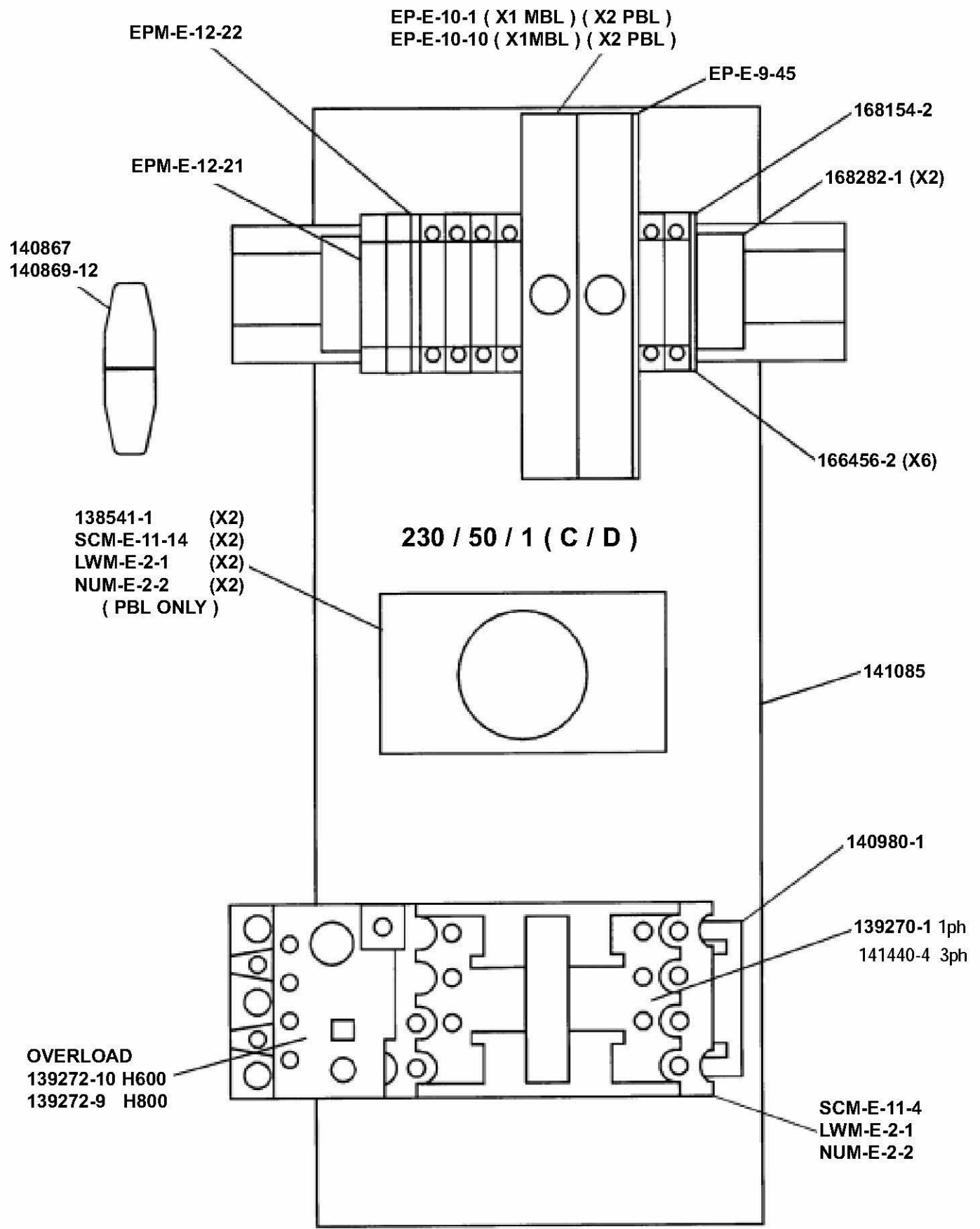


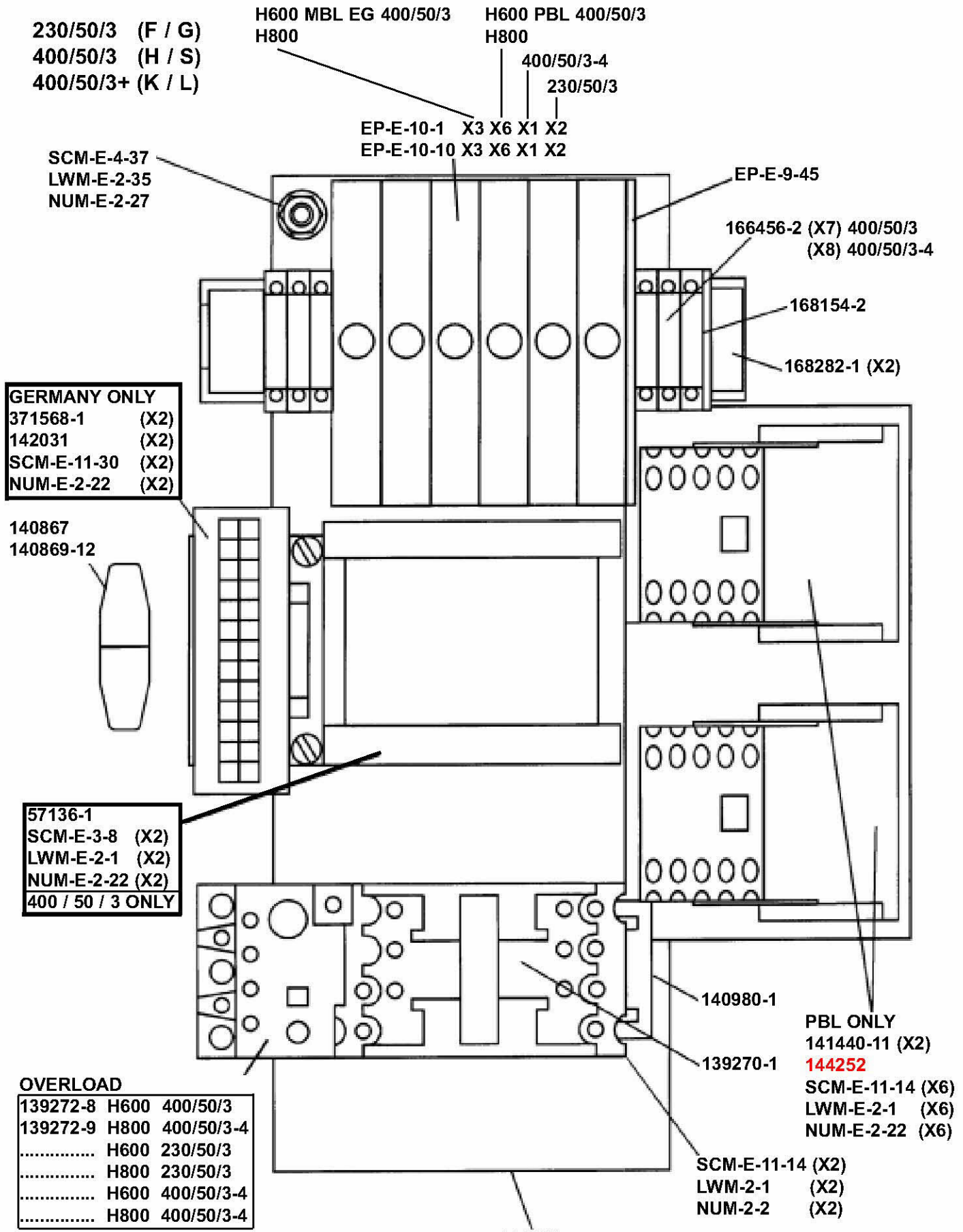


Timer / Minuterie / Zeitschater	
15 min	SS-E-18-10
30 min	SS-E-18-11

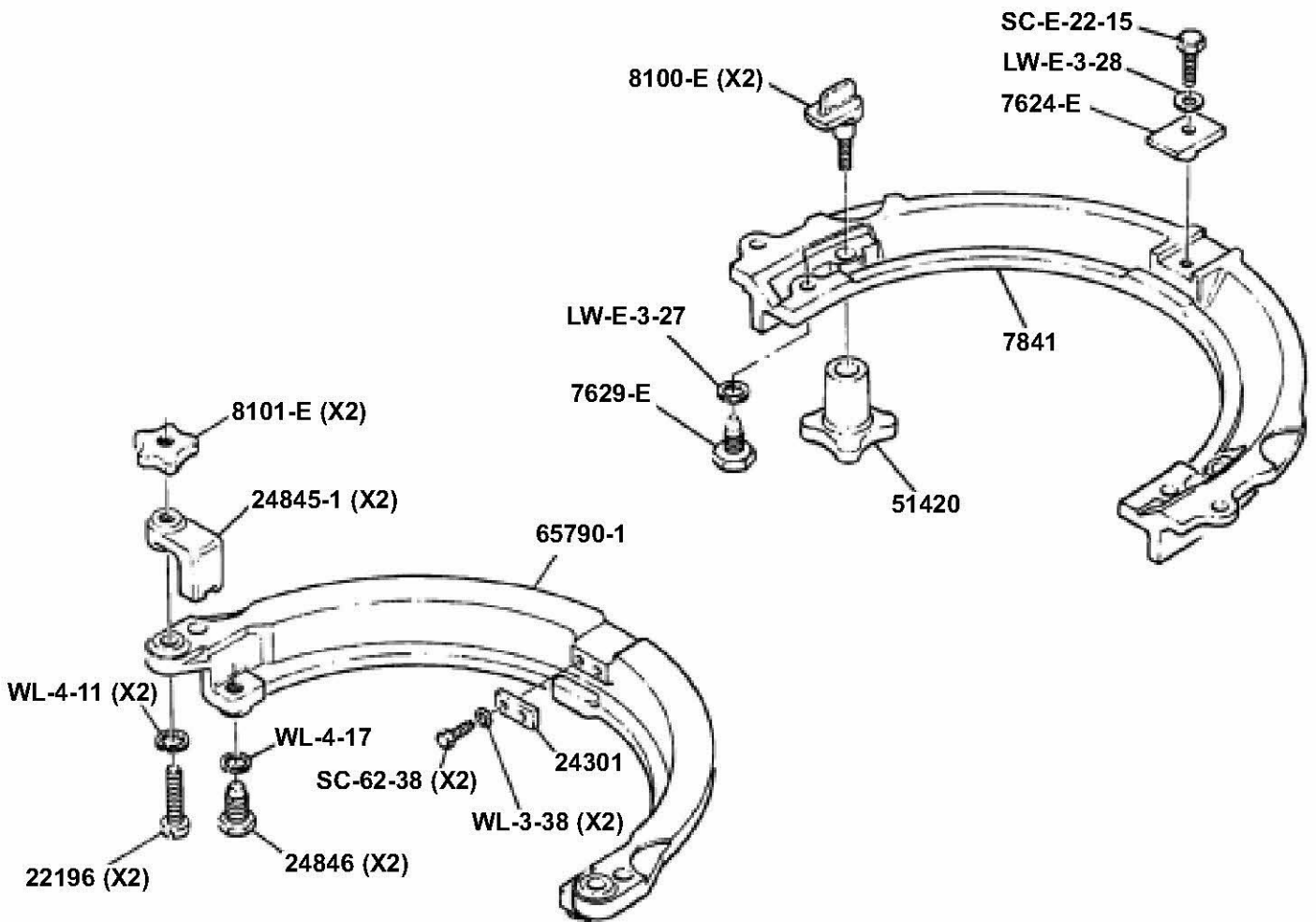
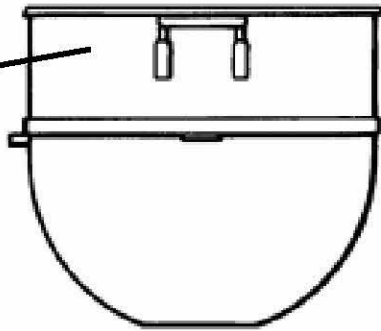
Plate Timer / Plaque minuterie Zeitschaterplatte	
15 min	139396
30 min	139869

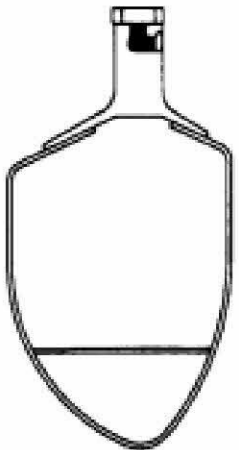






- 295648 30qt S/S BOWL H600
- 295650 40qt BOWL H600
- 275686 40qt S/S BOWL H600
- 275686 40qt S/S BOWL H800
- 66462 60qt S/S BOWL H600
- 59780 80qt S/S BOWL H800





PASTRY KNIFE
 H600
 275972 30qt PK
 68096 60qt PK

 H800
 52396 80qt PK



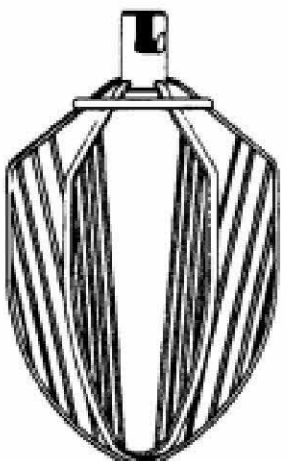
M & 'EB' HOOKS
 H600
 295176 40qt EB

 H800
 8151-E 40qt M
 8152-E 80qt M
 55664 80qt M S/STEEL



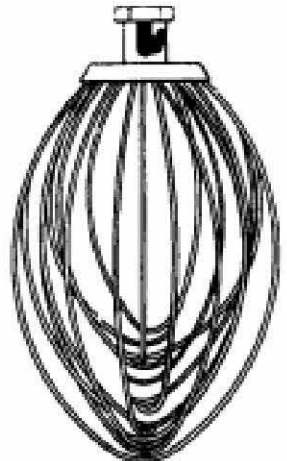
HOOK 'ED'
 H600
 141430 60qt ED

 H800
 141431 80qt ED



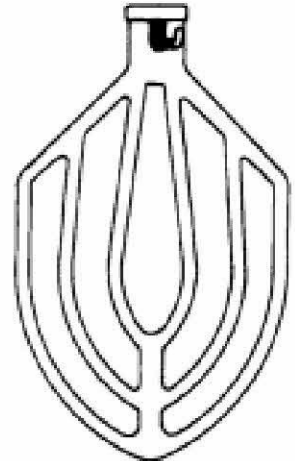
'C' WING WHIP
 H600
 295159 40qt
 295156 60qt

 H800
 53339 80qt



'D' WHIP
 295031 30qt
 9006-E 40qt
 24900-2 60qt

 H800
 9006-E 40qt
 52912 80qt



'B' BEATER
 H600
 275809 30qt
 12108-E 40qt
 55662 40qt S/STEEL
 141429-1 60qt
 141429-2 60qt S/STEEL

 H800
 12108-E 40qt
 55662 40qt S/STEEL
 52312 80qt
 53309 80qt S/STEEL

NOTE;-
 737420 (BOWL TRUCK H600 & H800)



As continued product improvements is a policy of HOBART, specifications are subject to change without notice.

Ce catalogue n'est pas contractuel, HOBART se réserve le droit, et sans préavis, d'apporter toutes modifications ou améliorations à ses matériels,

HOBART behält sich das Recht vor, an allen Produkten technische Änderungen und Verbesserungen ohne Ankündigung vorzunehmen,

Voortdurende produktverbetering vormt een wezenlijk onderdeel van het beleid van HOBART. Specificaties kunnen zonder kennisgeving gewijzigd worden.

PLE-200402-A-05-00



Food Preparation

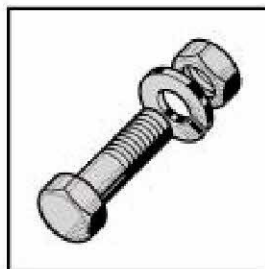
HOBART



MIXER

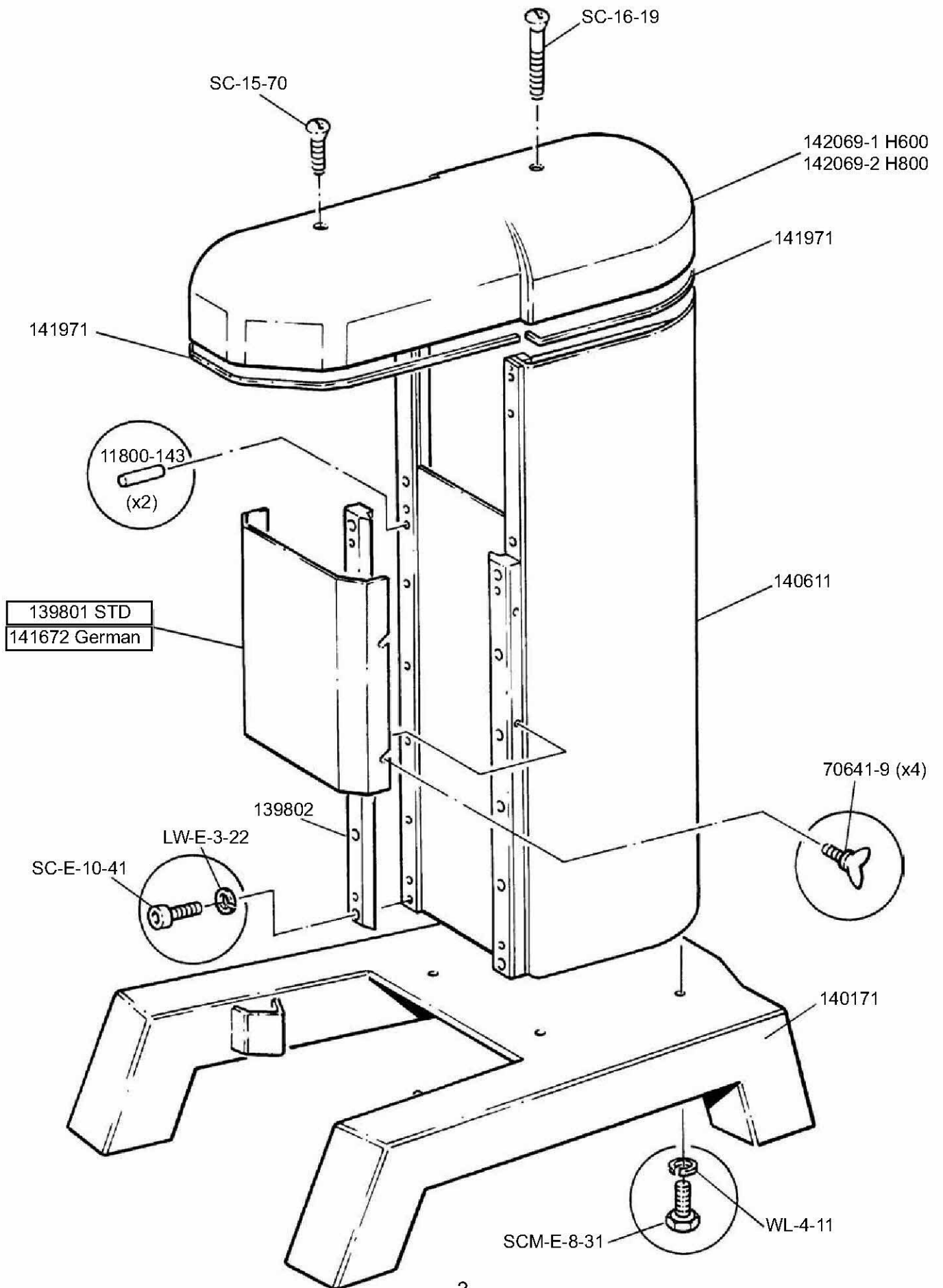
H600 / 800

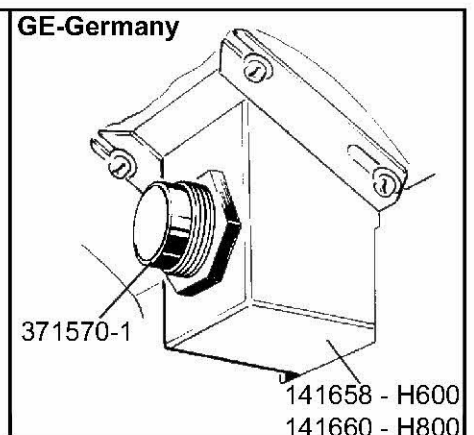
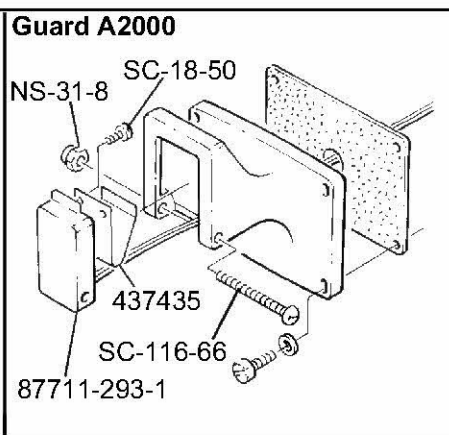
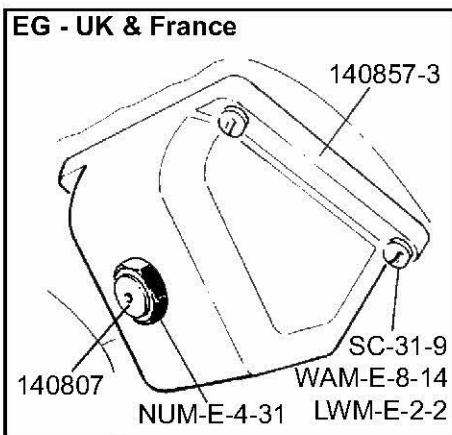
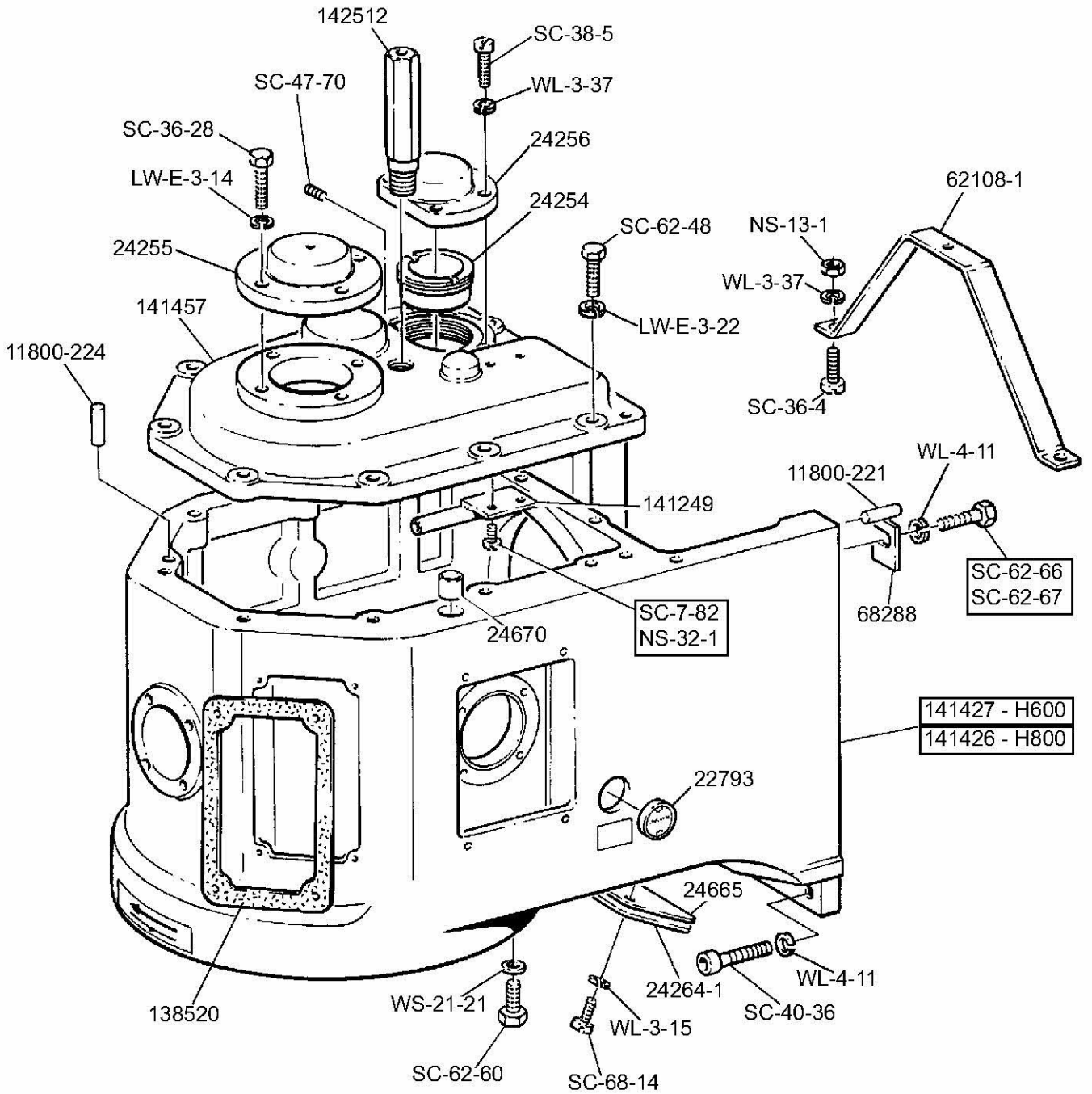
Spare Parts
Pièces Détachées
Ersatzteile
Onderdelen

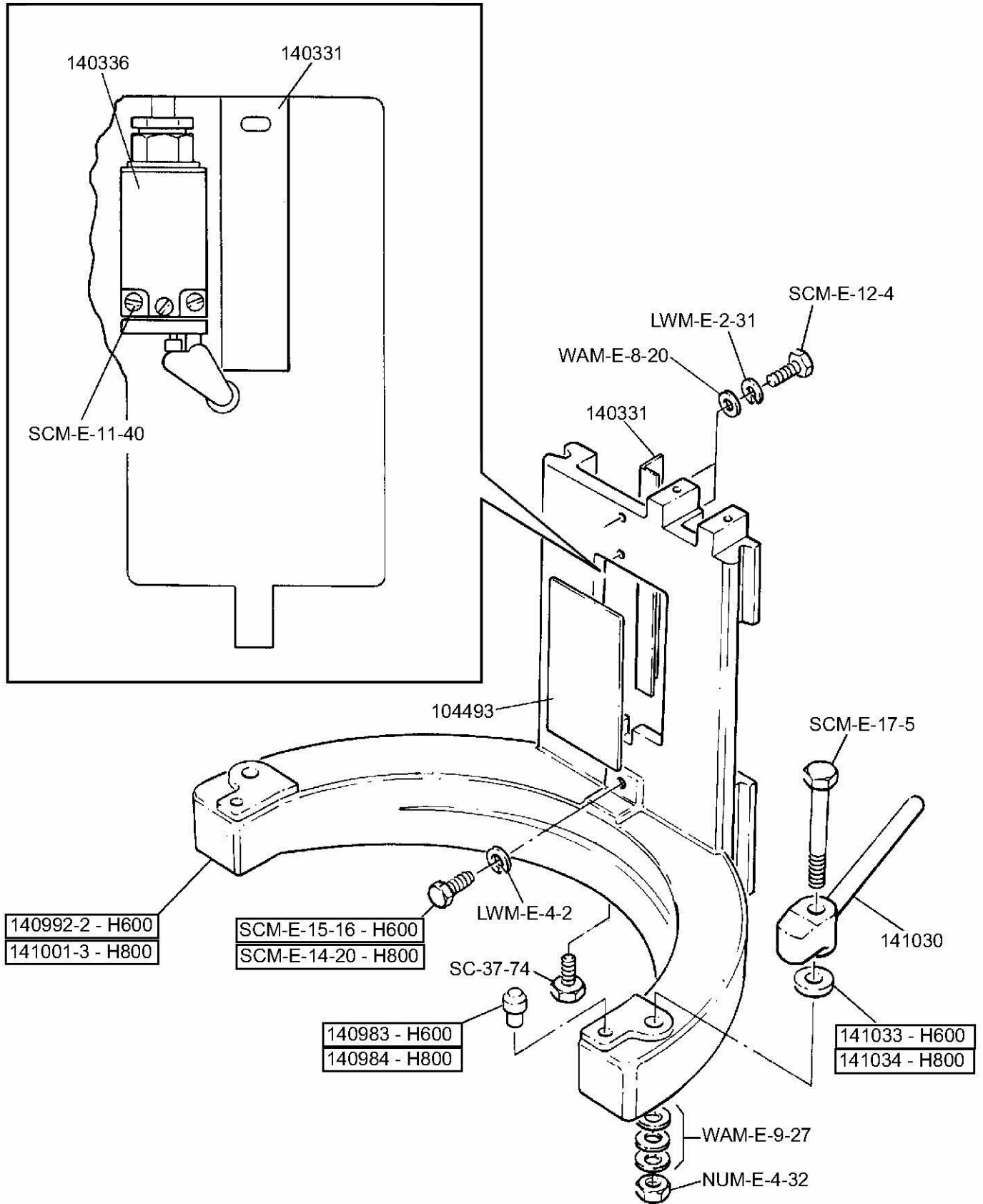


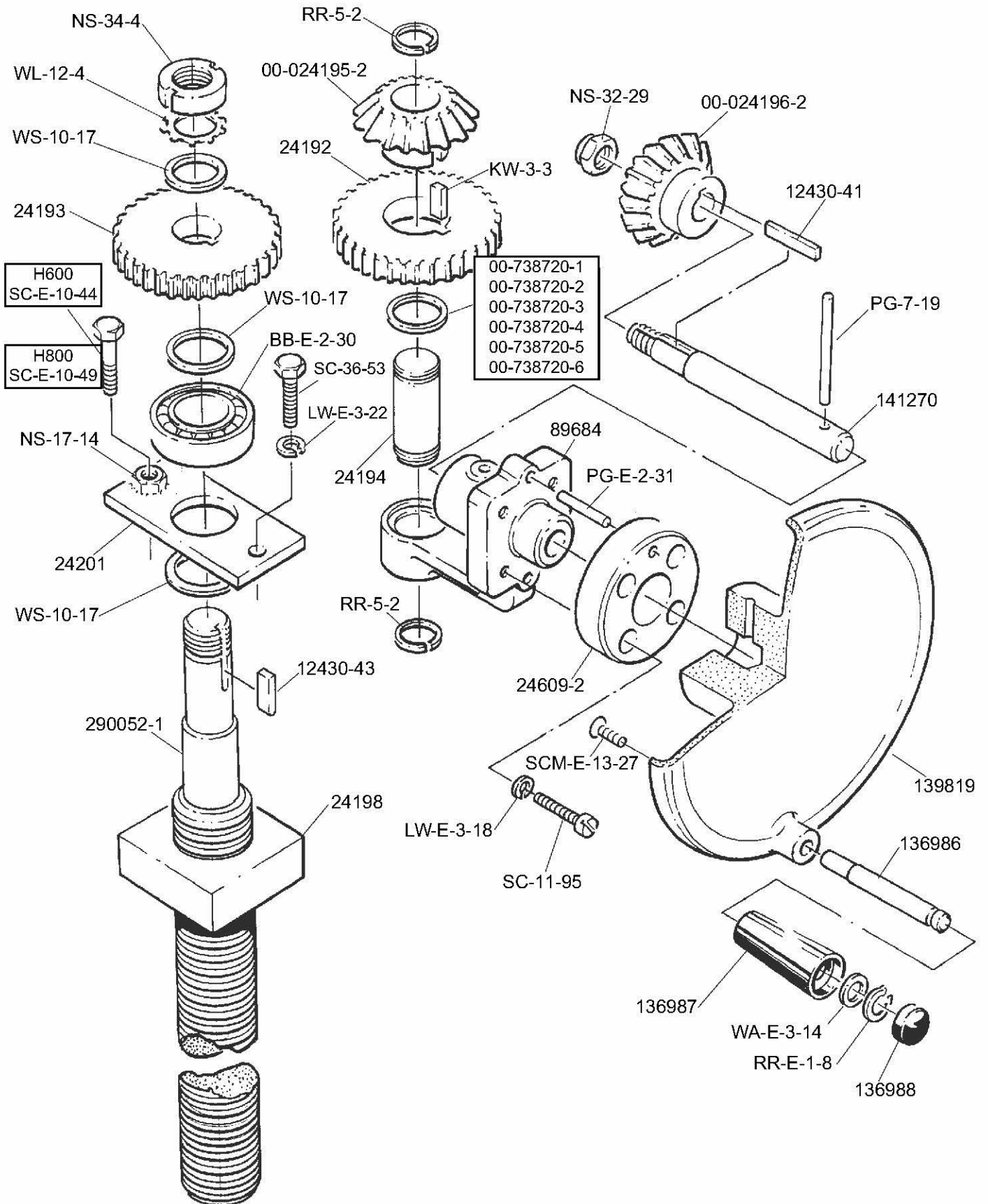
This document is the property of Hobart Manufacturing. Reproduction of this document is prohibited without the written consent of Hobart Manufacturing.

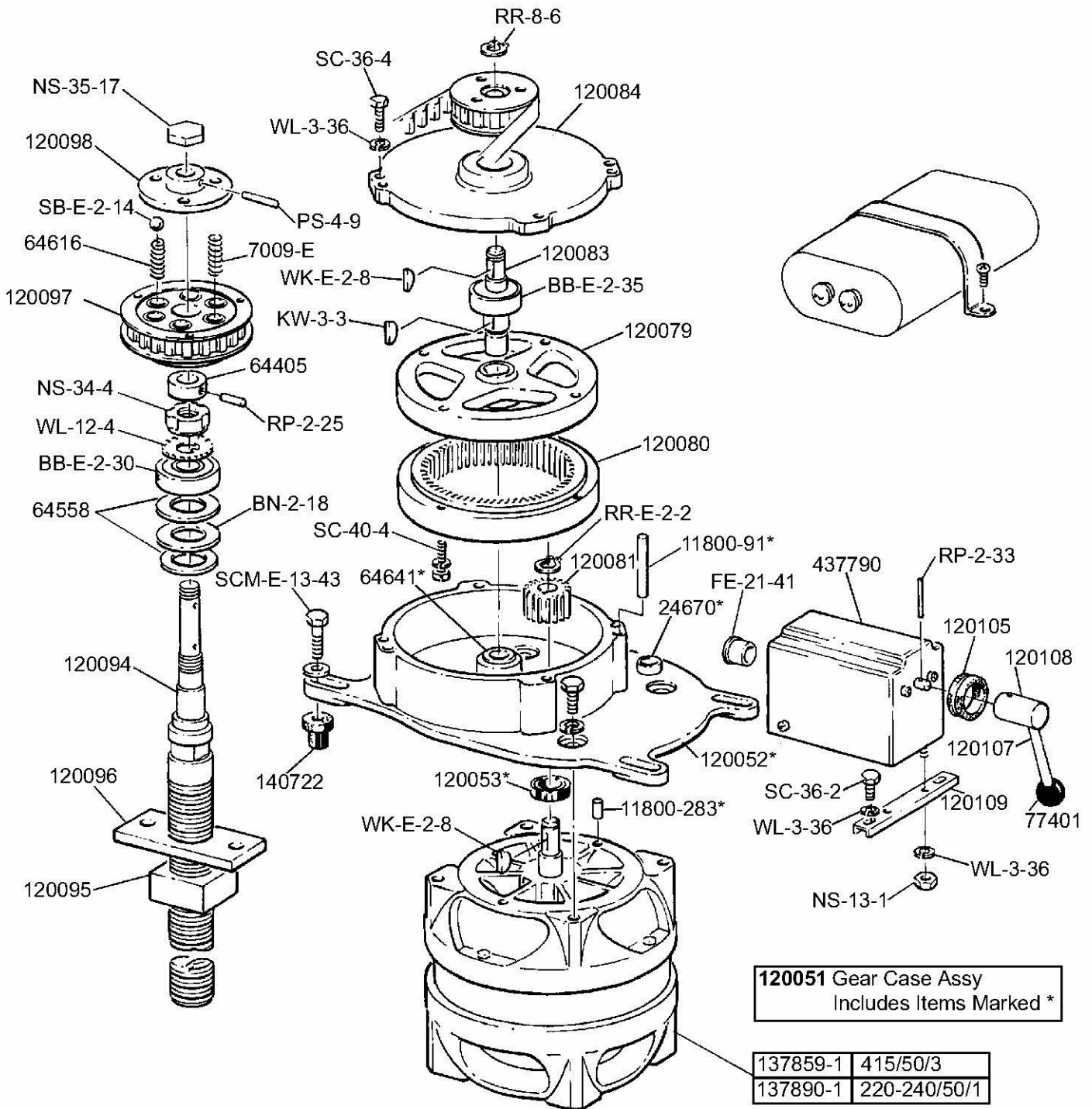
	Page
Base and Pedestal Unit.....	3
Base et Colonne	
Gehäuse mit standfüßen	
Transmission Case Unit.....	4
bolte de Vitesses	
Antriebsgehäuse	
Bowl Support and Bow lift.....	5 / 6
Support et relevage de bol	
Kesselheber und Haalterung	
Power Bowl Lift.....	7
Relevage Automatique de Bol	
Automatischer Kesselhub	
Attachment Hub.....	8
Cannon port-accessoires	
Ansatznabe	
Shifting Unit.....	9
Changement de Vitesses	
Geschwindig Keitwahlschalter	
Planetary Shaft.....	10
Planétaire arbe	
Planetengetriebewelle	
Clutch Shaft.....	11
Arbe des clabots	
Kupplungswelle	
Worm Gear Shaft.....	12
Arbre roue hélicoidal	
Schneckenradwelle	
Planetary.....	13
Planétaire	
Planetengezriebe	
Guard Assembly.....	14
Sécurité de bol	
Schutzgitter	
Guard Assembly 2000.....	15
Sécurité de bol 2000	
Schutzgitter 2000	
Motor.....	16
Moteur	
Motor	
Timer.....	17
Minuterie	
Zeitschater	
Electrics.....	18 / 19
Électriques	
Elektrik	
Bowl and Equipment.....	20
Bol et Équipement	
Kessel und Ausrüstung	
Agitators.....	21
Agitateurs	
Rührwerkzeuge	

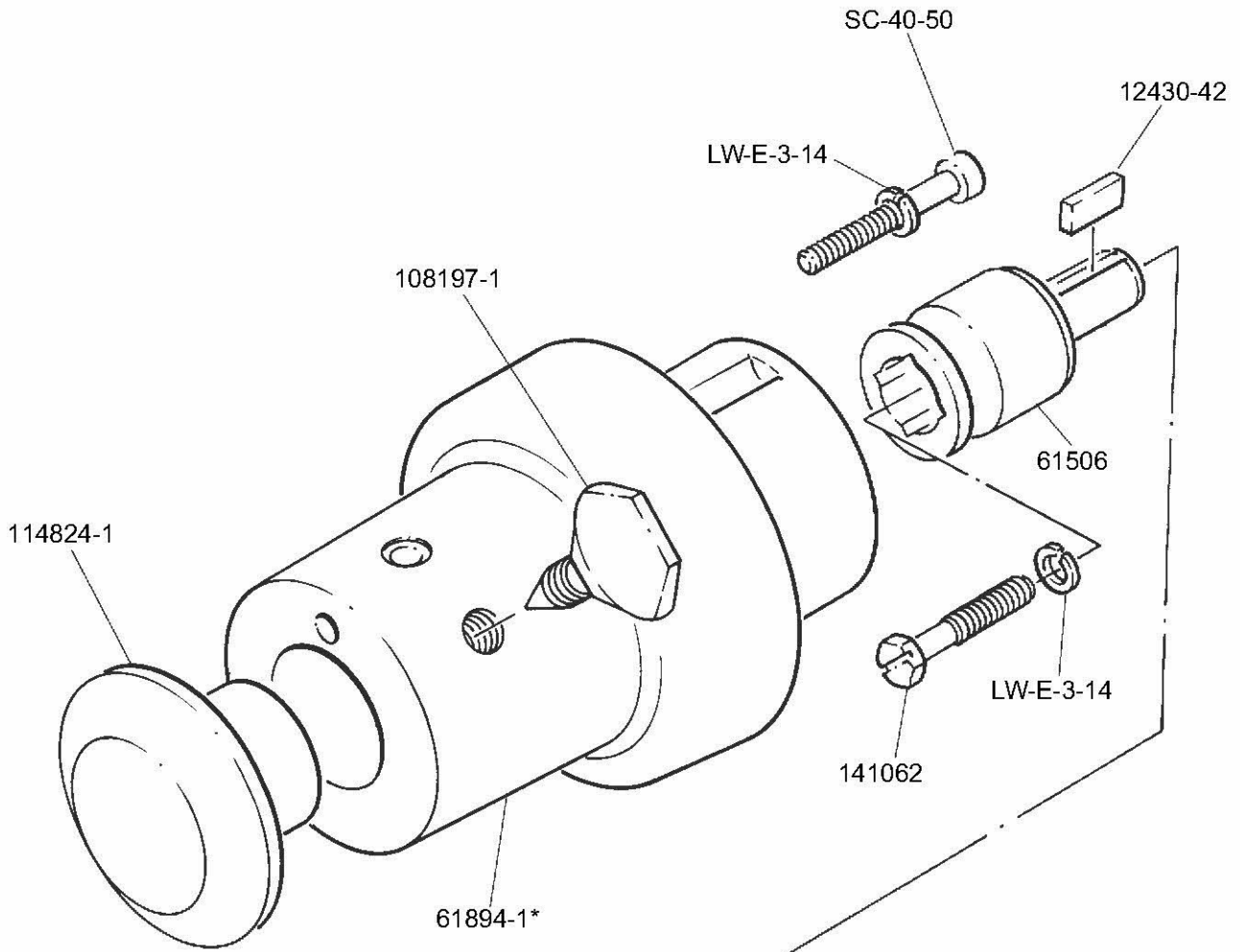




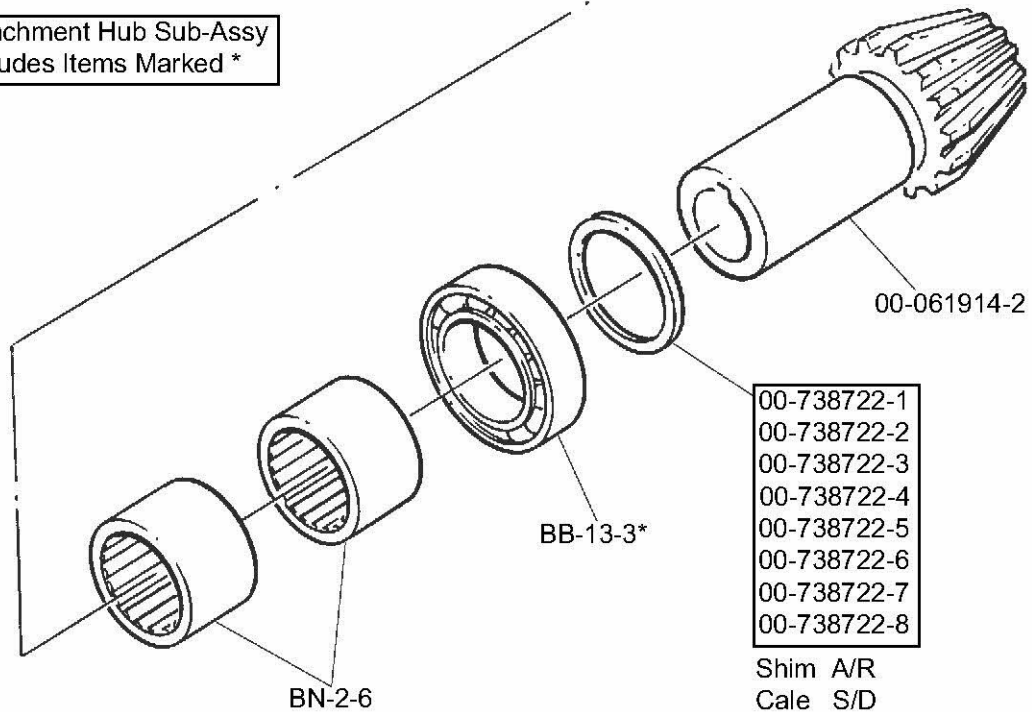






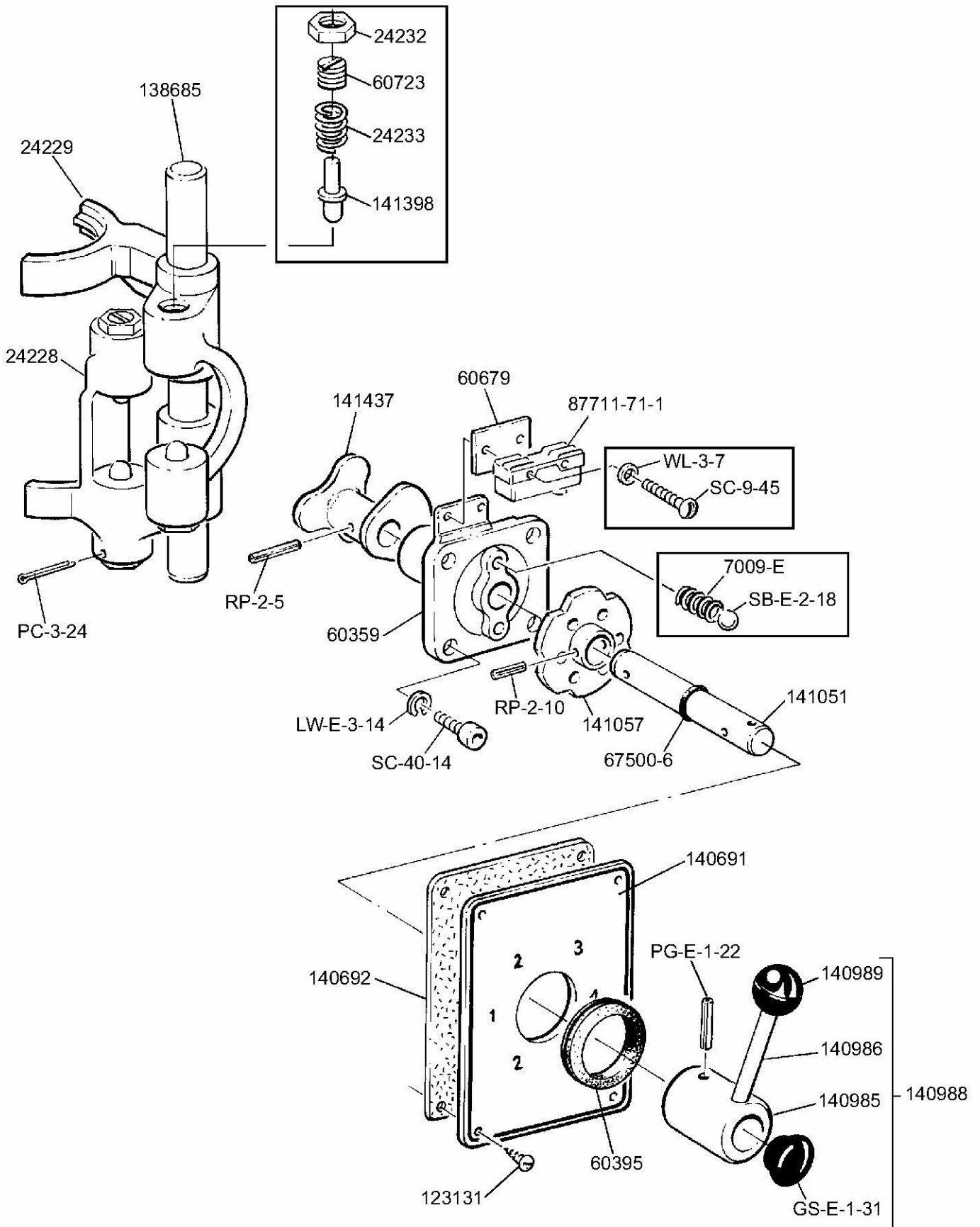


141818 Attachment Hub Sub-Assy
 Includes Items Marked *



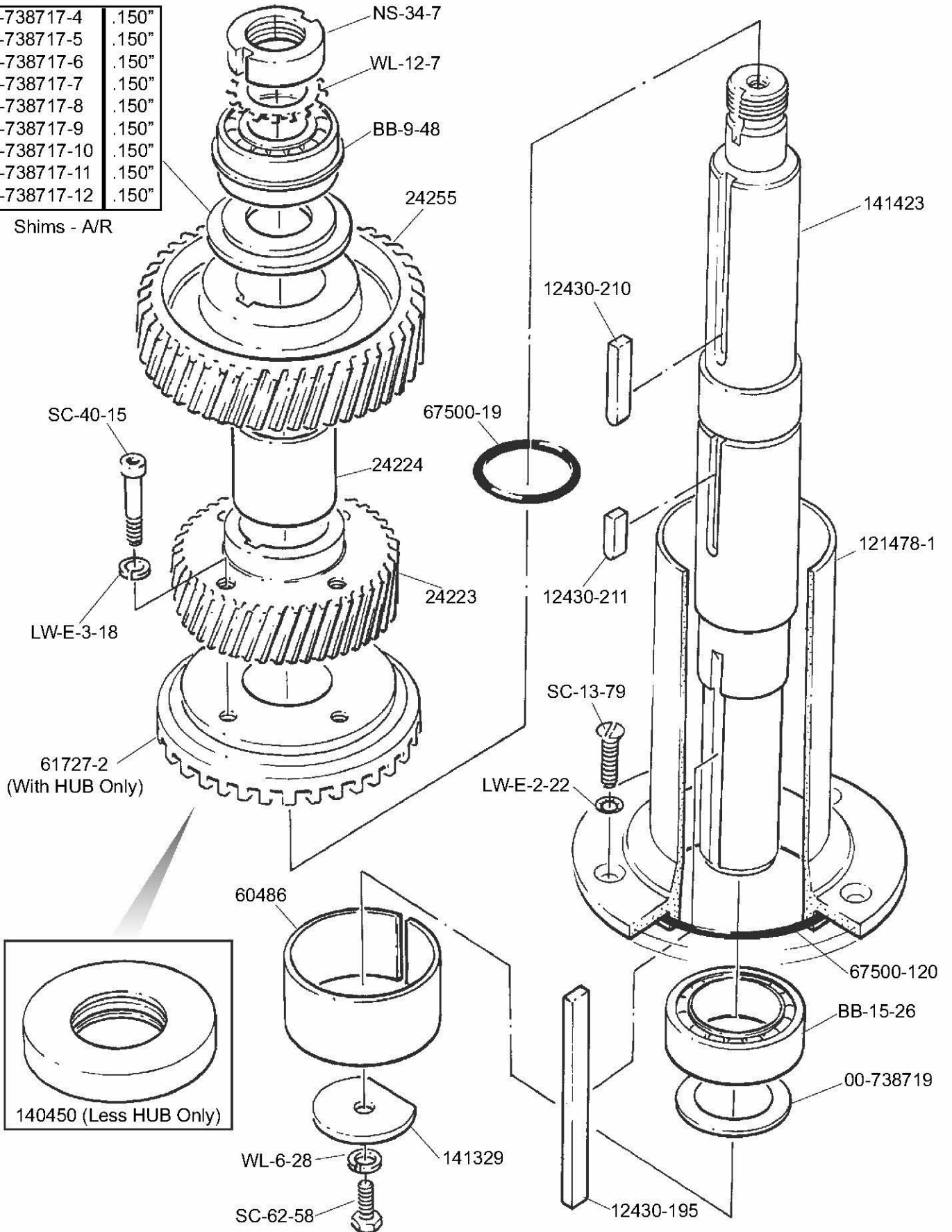
- 00-738722-1
- 00-738722-2
- 00-738722-3
- 00-738722-4
- 00-738722-5
- 00-738722-6
- 00-738722-7
- 00-738722-8

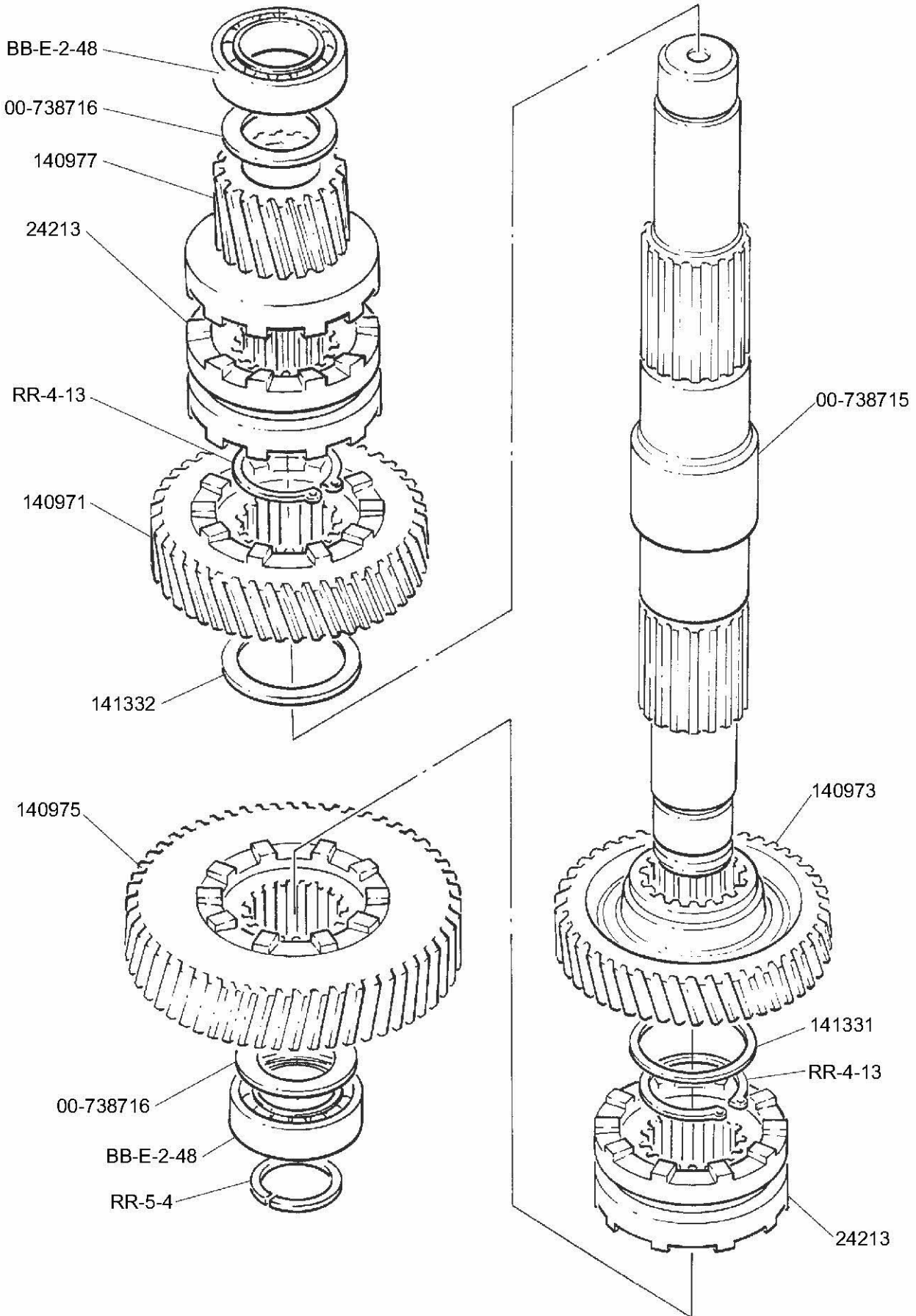
Shim A/R
 Cale S/D
 Abstandsscheibe NB

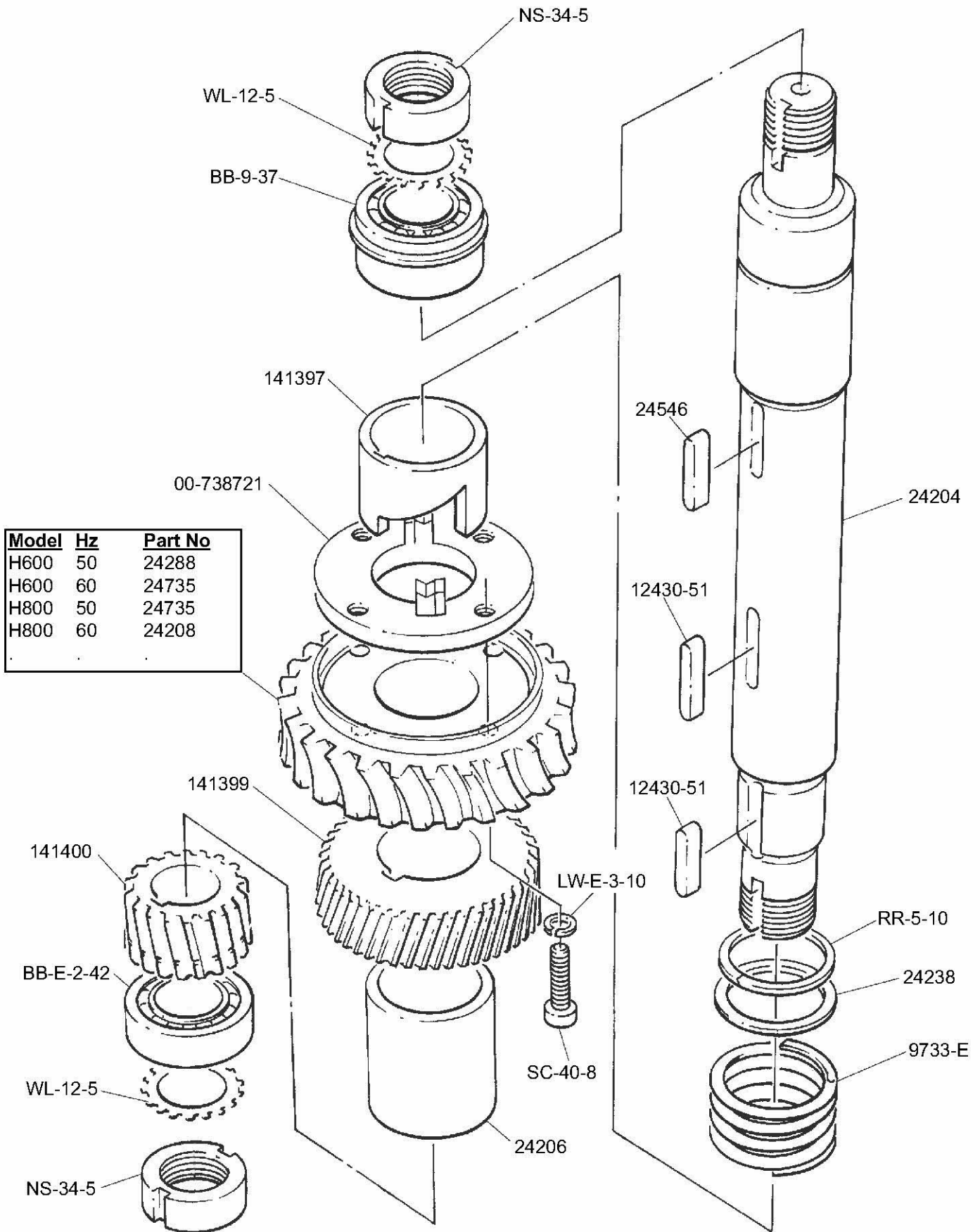


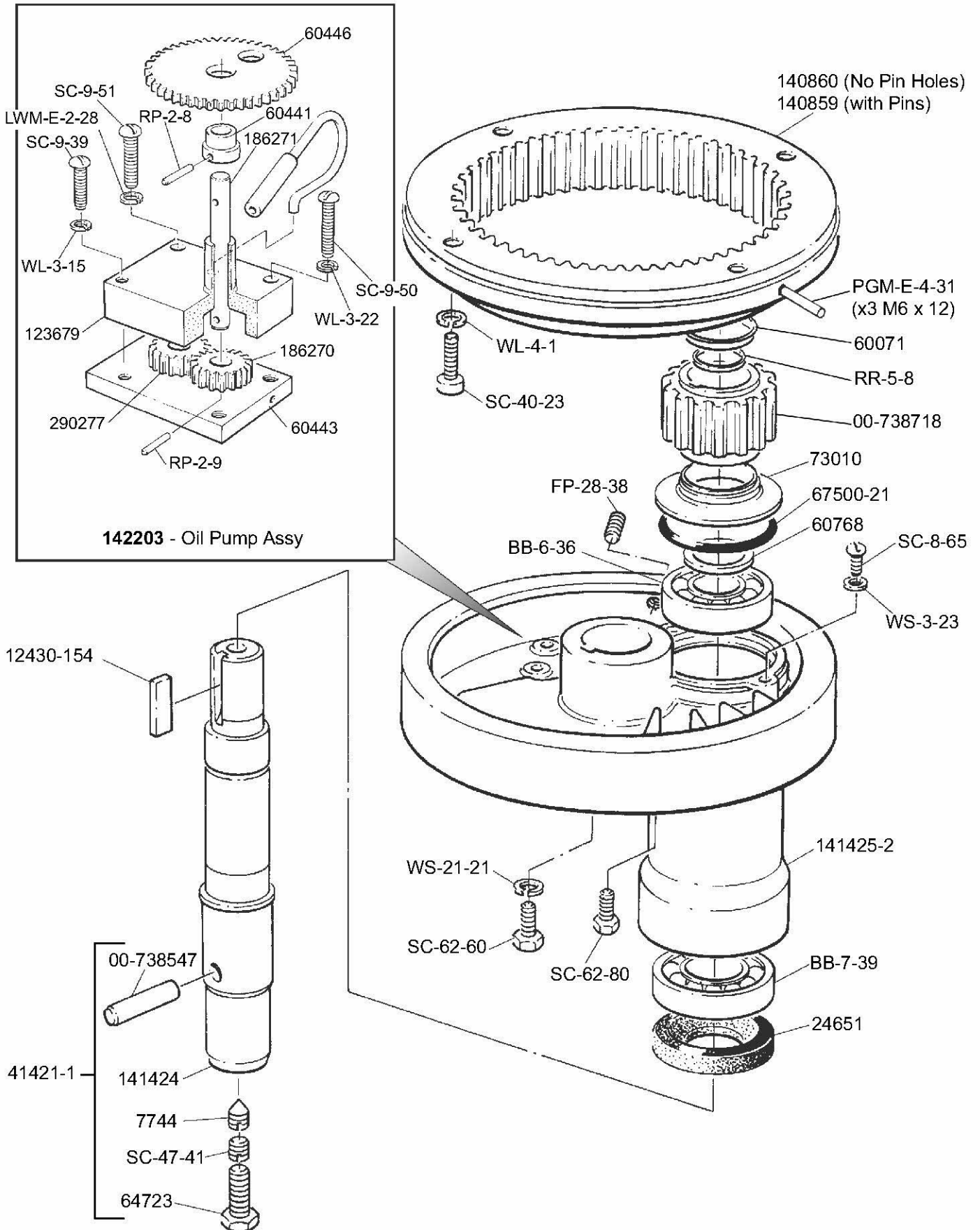
00-738717-4	.150"
00-738717-5	.150"
00-738717-6	.150"
00-738717-7	.150"
00-738717-8	.150"
00-738717-9	.150"
00-738717-10	.150"
00-738717-11	.150"
00-738717-12	.150"

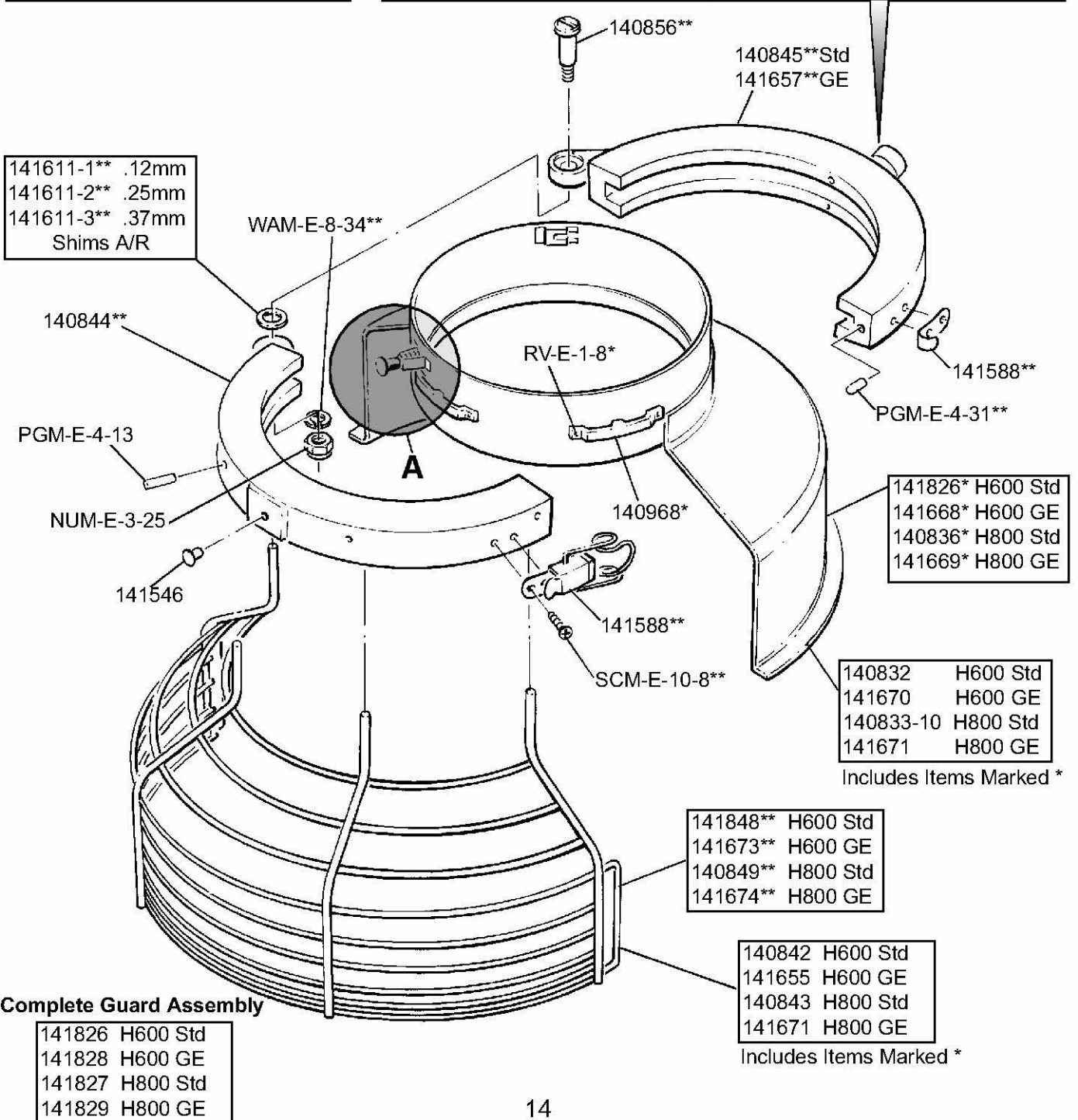
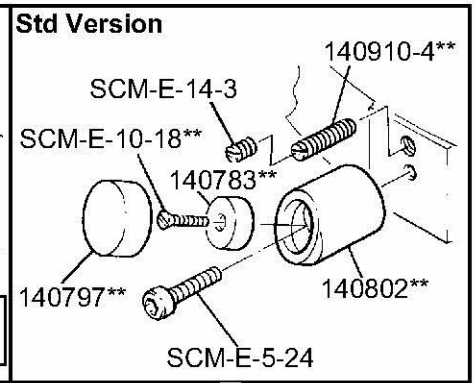
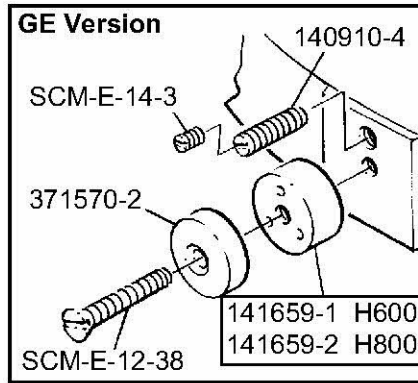
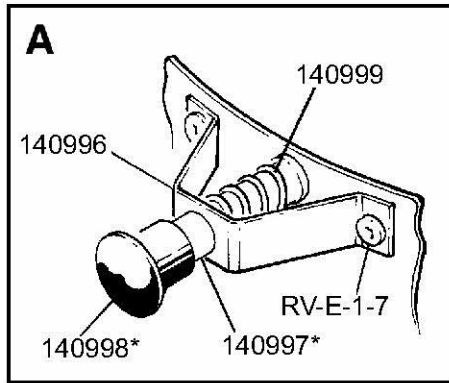
Shims - A/R



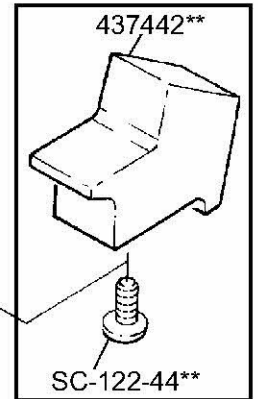
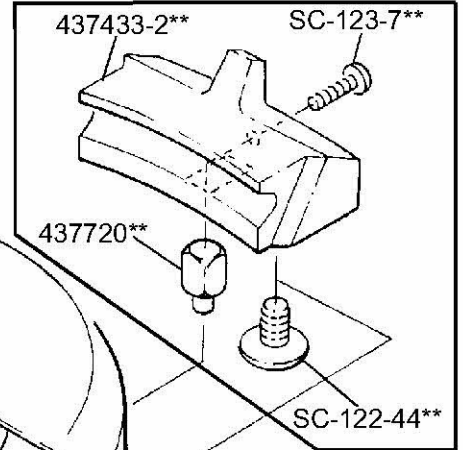
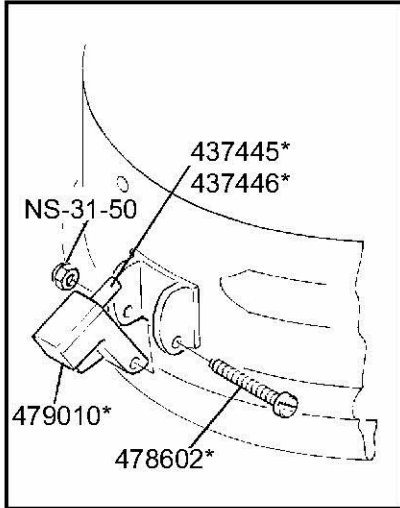




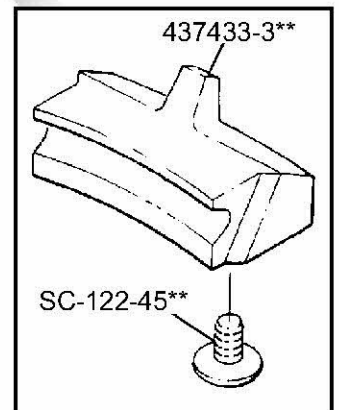
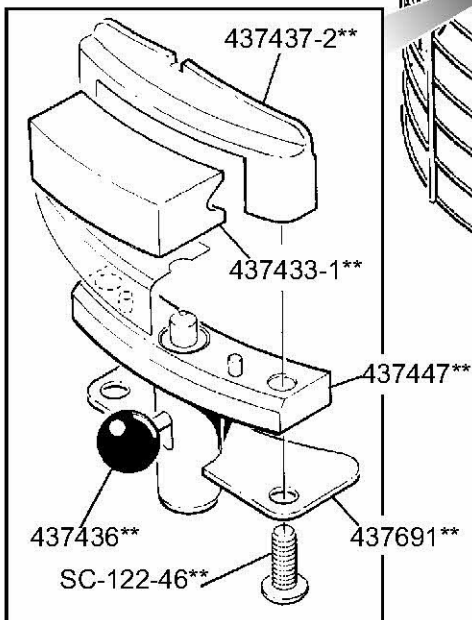
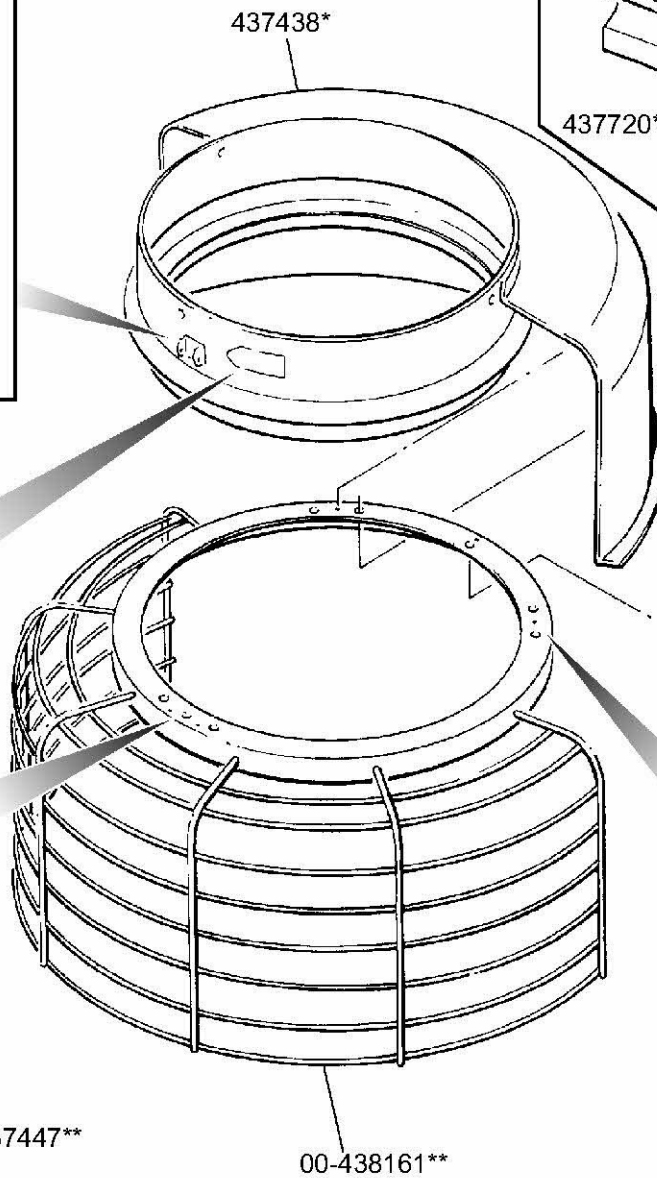




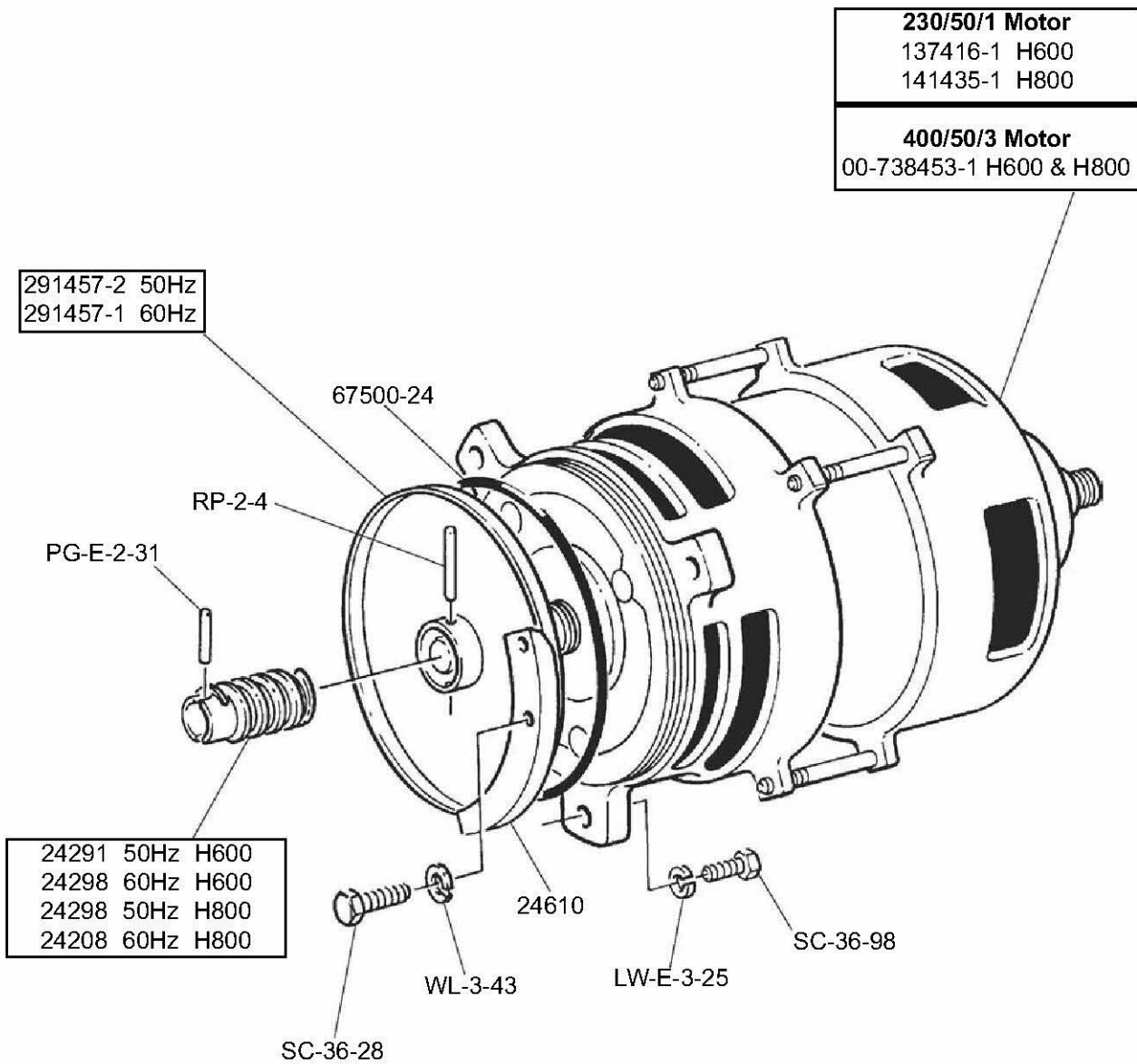
NOTE:-
 Splash Guard Assy **00-437450**
 (Includes Items Marked *)

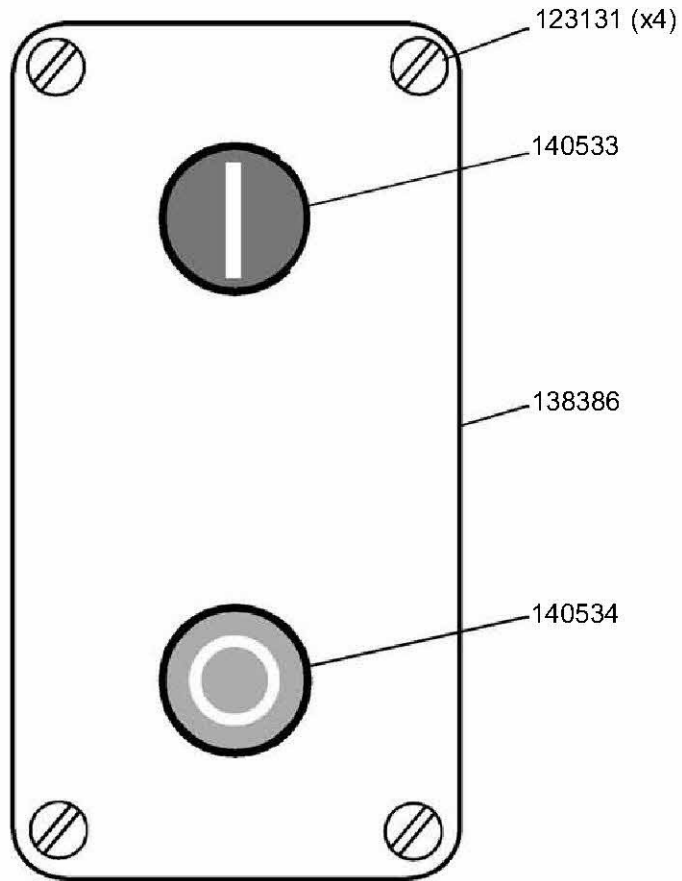


**PUSH HERE TO
 TURE CAGE**
 00-438712*



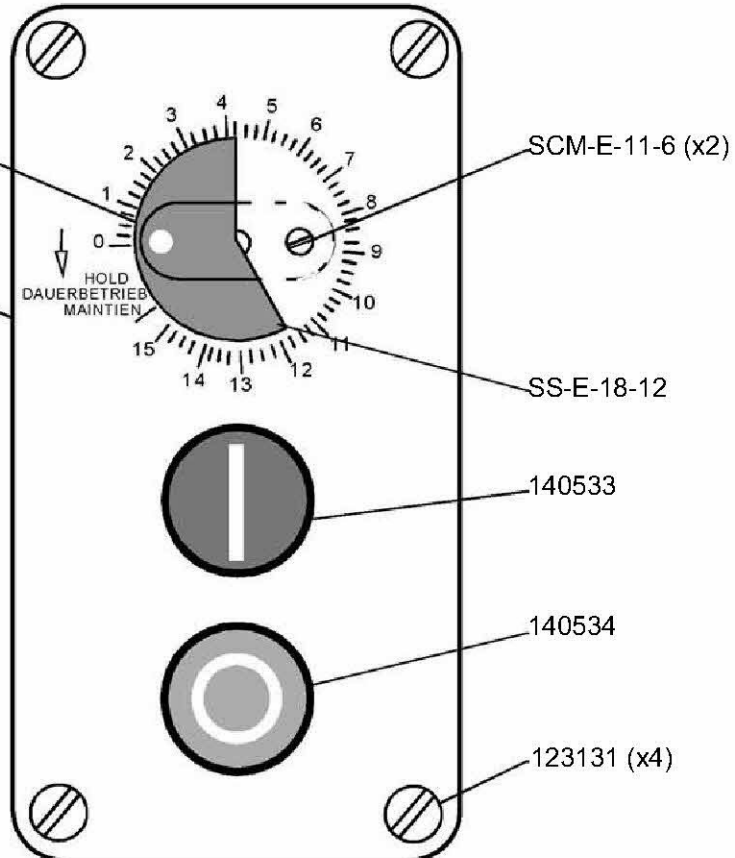
NOTE:-
 Cage Assy = **00-438160**
 (Includes Items Marked **)

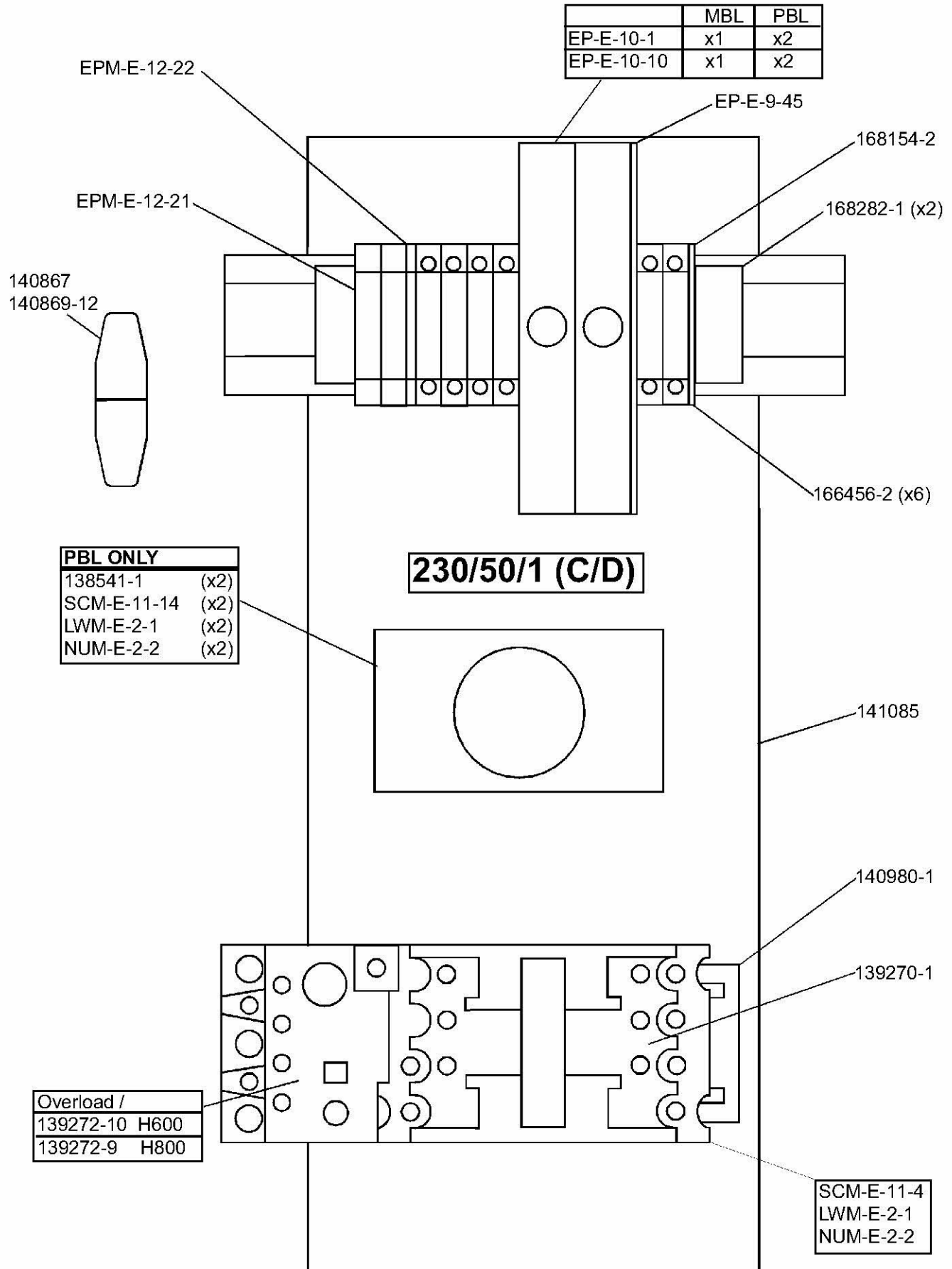




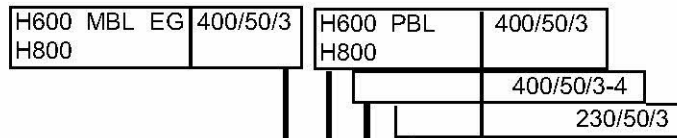
**Timer / minuterie
Zeitschater**
15min SS-E-18-10
30min SS-E-18-11

**Plate Timer / Plaque minuterie
Zeitschaterplatte**
15min 139396
30min 139869





230/50/3 (F/G)
400/50/3 (H/S)
400/50/3+ (K/L)



SCM-E-4-37
LWM-E-2-35
NUM-E-2-27

EP-E-10-1	x3	x6	x1	x2
EP-E-10-10	x3	x6	x1	x2

EP-E-9-45

166456-2 (x7) 400/50/3
(x8) 400/50/3-4

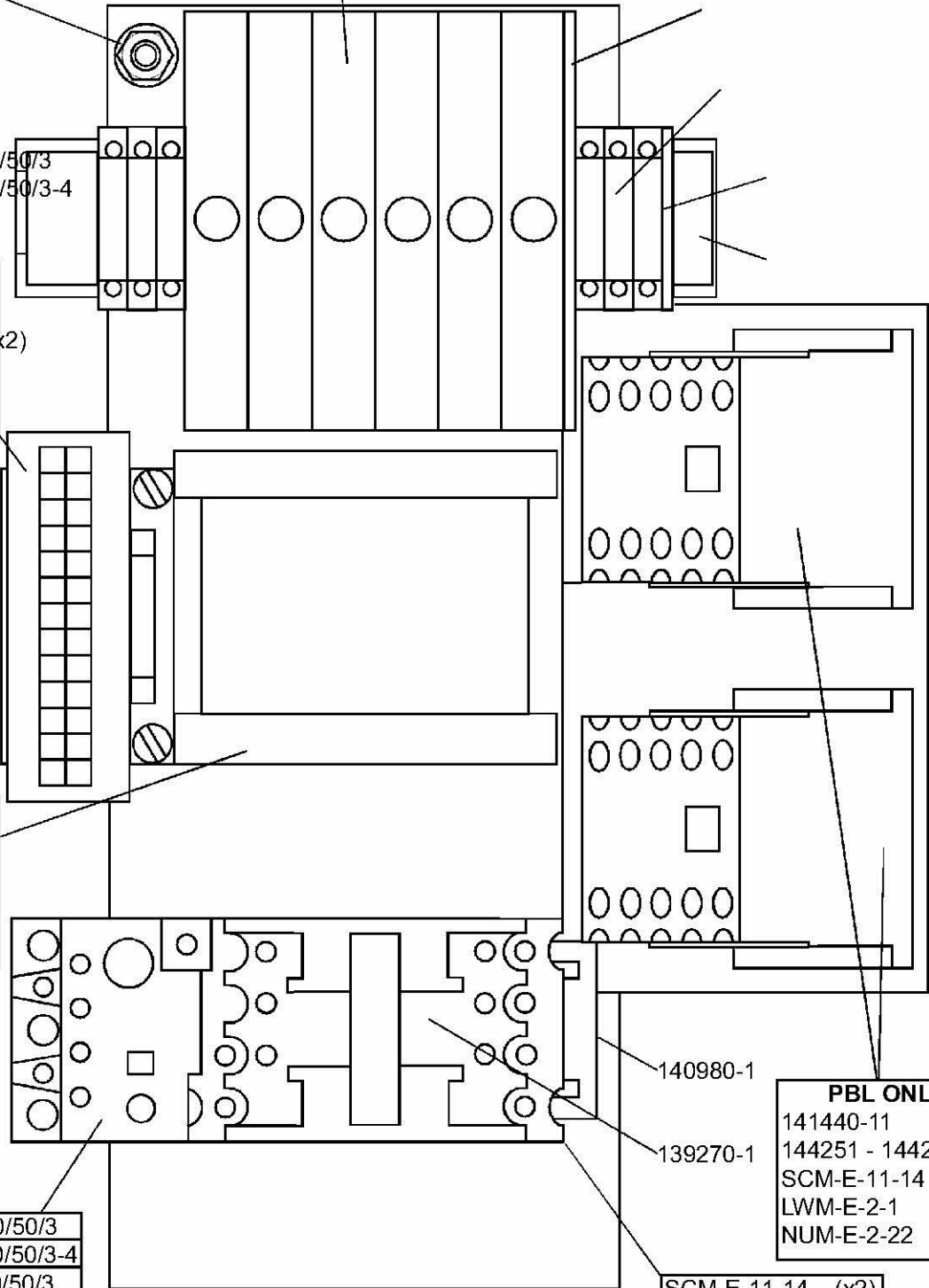
168154-2
Germany Only
371568-1
142031 168282 (x2) (x2)
SCM-E-11-30 (x2)
NUM-E-2-22 (x2)

140867
140869-12

57136-1
SCM-E-3-8 (x2)
LWM-E-2-1 (x2)
NUM-E-2-22 (x2)
400/50/3 Only

OVERLOAD/

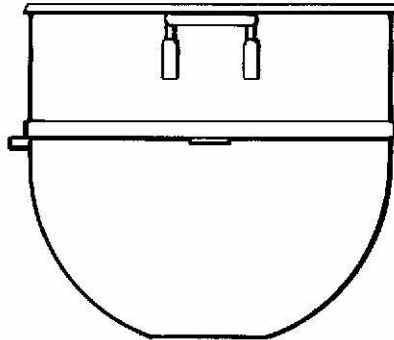
139272-8	H600	400/50/3
139272-9	H800	400/50/3-4
	H600	230/50/3
	H800	230/50/3
	H600	400/50/3-4
	H800	400/50/3-4



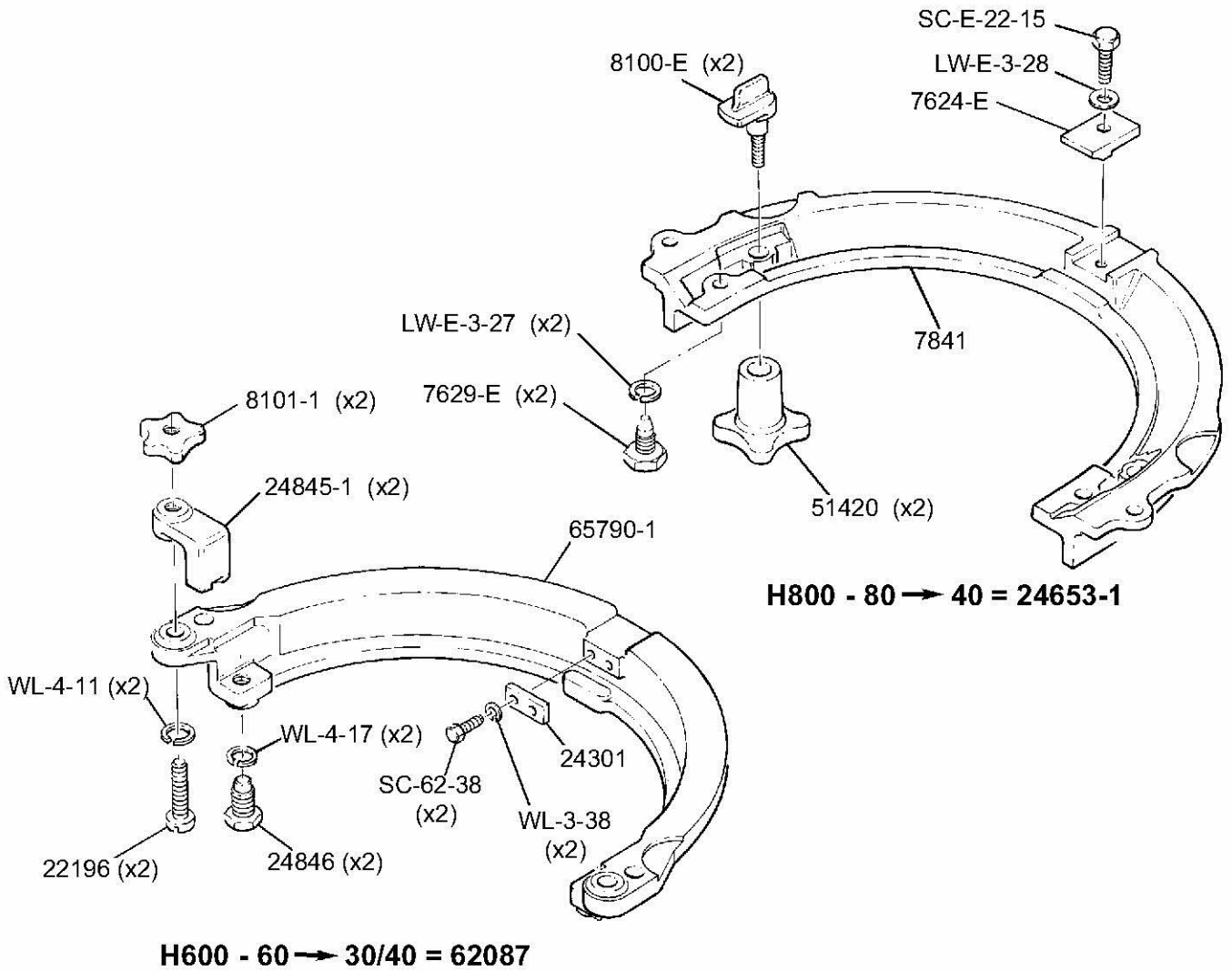
PBL ONLY
141440-11 (x2)
144251 - 144252
SCM-E-11-14 (x6)
LWM-E-2-1 (x6)
NUM-E-2-22 (x6)

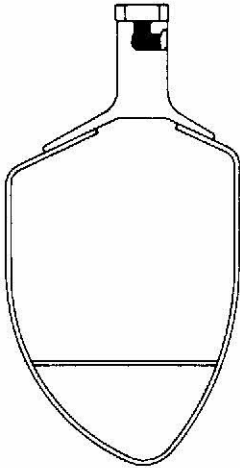
SCM-E-11-14 (x2)
LWM-E-2-1 (x2)
NUM-E-2-2 (x2)

141085

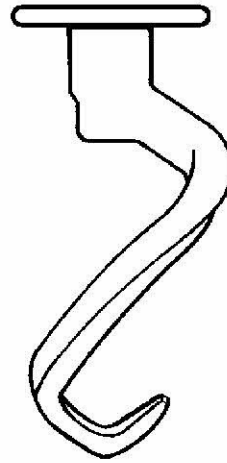


295648	H600	30qt S/S Bowl
275686	H600 / H800	40qt S/S Bowl
66462	H600	60qt S/S Bowl
59780	H800	80qt S/S Bowl

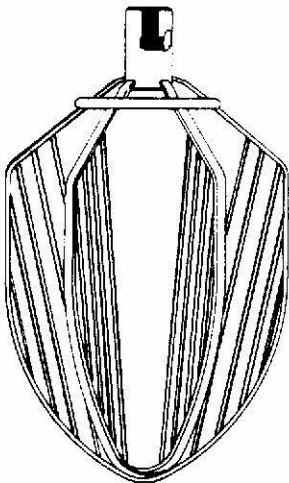




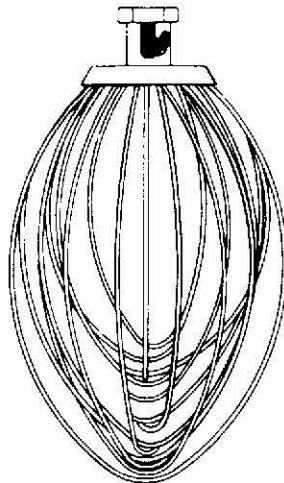
	H600	H800
30qt	275159	-
60qt	68096	-
80qt	-	52396



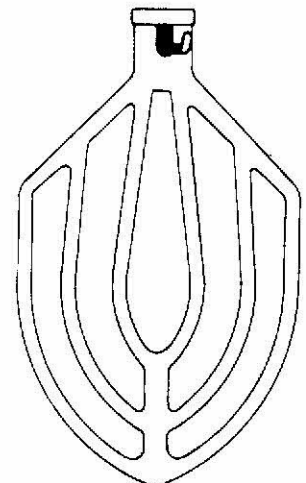
	H600	H800
40qt EB	295176	
60qt ED	141430	-
40qt M	-	8151-E
80qt ED	-	141431



	H600	H800
40qt	295159	-
60qt	295156	-
80qt	-	53339



	H600	H800
30qt	439740	-
40qt	9006-E	9006-E
60qt	-	-
80qt	-	52912



	H600	H800
30qt	275809	-
40qt	12108-E	12108-E
40qt s/s	55662	8151-E
60qt	141429-1	-
60qt s/s	275886	-
80qt	-	52312
80qt s/s	-	53309

SERVICE

Hobart trained service technicians strategically located at the listed Hobart branches are prepared to give you fast, efficient and reliable service. Protect your investment by having a Hobart inspection contract, which assures the continued, efficient operation of your Hobart machines, spares and accessories.

For further details contact:-

SALES: 07002 101 101
SERVICE: 07002 202 202
SPARES: 07002 303 303

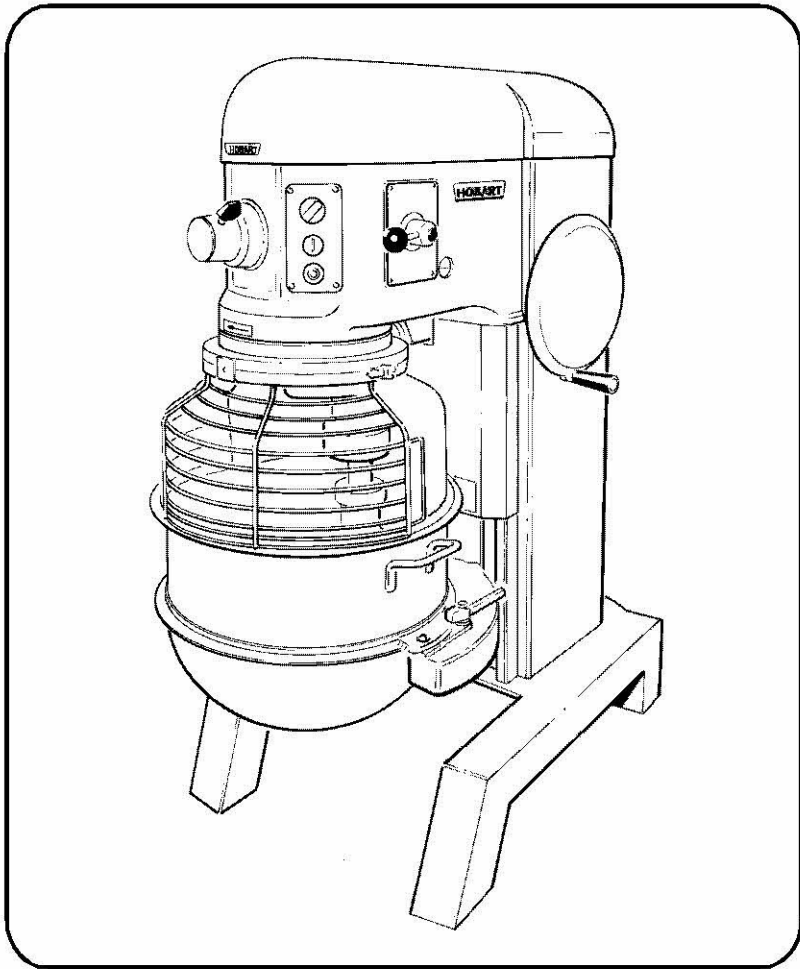
Continued product improvement is a Hobart Still policy, specifications may change without notice.

Hobart ayant une politique d'amélioration constante de ses produits, les spécifications peuvent changer sans préavis.

Unsere Produkte werden ständig verbessert. Deshalb behält sich Hobart Still Änderungen der technischen Daten ohne Vorankündigung vor.

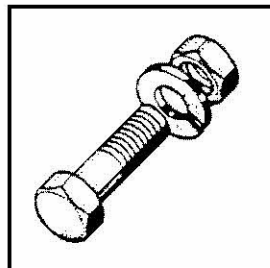
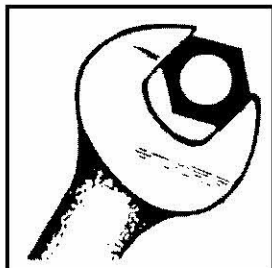
Hobart UK
Hobart House, 51 The Bourne,
Southgate, London N14 6RT
Tel: 020 8920 2800 Fax 020 8886 0450
www.hobartmfg.co.uk

HOBART



H600 / H800

Catalogue of Replacement Parts
Catalogue de Pieces de Rechange
Ersatzteilkatalog



CE

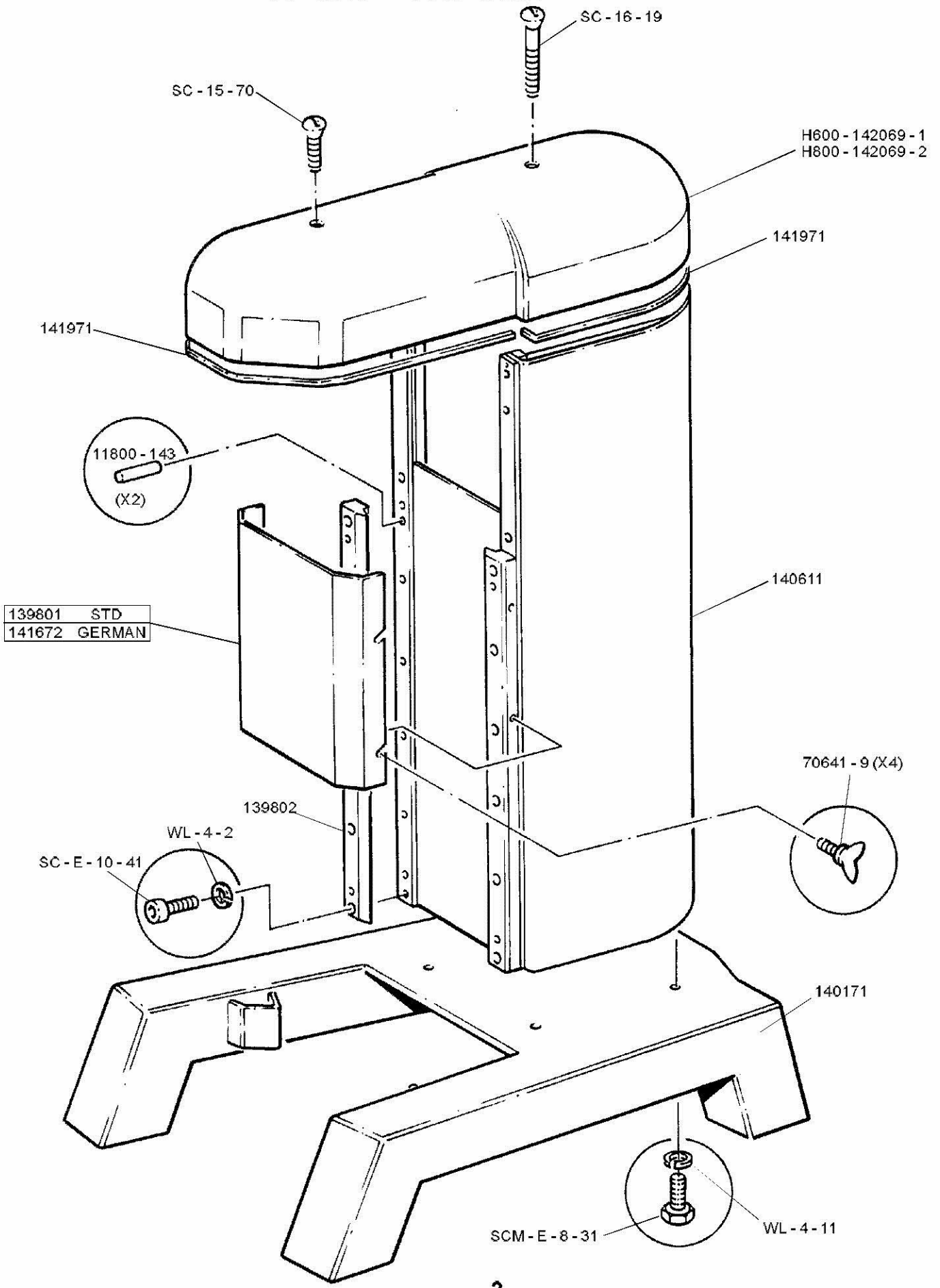
Page Seite	
2	Base and pedestal unit Base et Colonne Gehäuse mit standfüßen
3	Transmission case unit Boîte de vitesses Antriebsgehäuse
4/5	Bowl support and bowl lift Support et relevage de bol Kesselheber und haalterung
6	Power Bowl Lift Relevage Automatique de bol Automatischer Kesselhub
7	Attachment hub Cannon port-accessoires Ansatznabe
8	Shifting Unit Changement de vitesses Geschwindig Keitswahlschalter
9	Planetary Shaft Planétaire arbe Planetengetriebewelle
10	Clutch Shaft Arbe des clabots Kupplungswelle
11	Worm Gear Shaft Arbe roue helicoidale Schneckenradwelle
12	Planetary Planetaire Planetengetriebe
13/16	Guard Assembly Sécurité de bol Schutzgitter
17	Motor Moteur Motor
18	Timer Minuterie Zeitschater
19/20	Electrics Électriques Elektrik
21	Bowls and Equipement Bols et Équipement Kessel und Ausrüstung
22	Agitators Agitateurs Rührwerkzeuge

NOTE:

The paint colour scheme for the H600 / H800 mixers has changed.
This change was effective from serial number's 970162424 (H600) & 970161919 (H800)
For required items with the new colour scheme use the Part numbers with a - 9 suffix

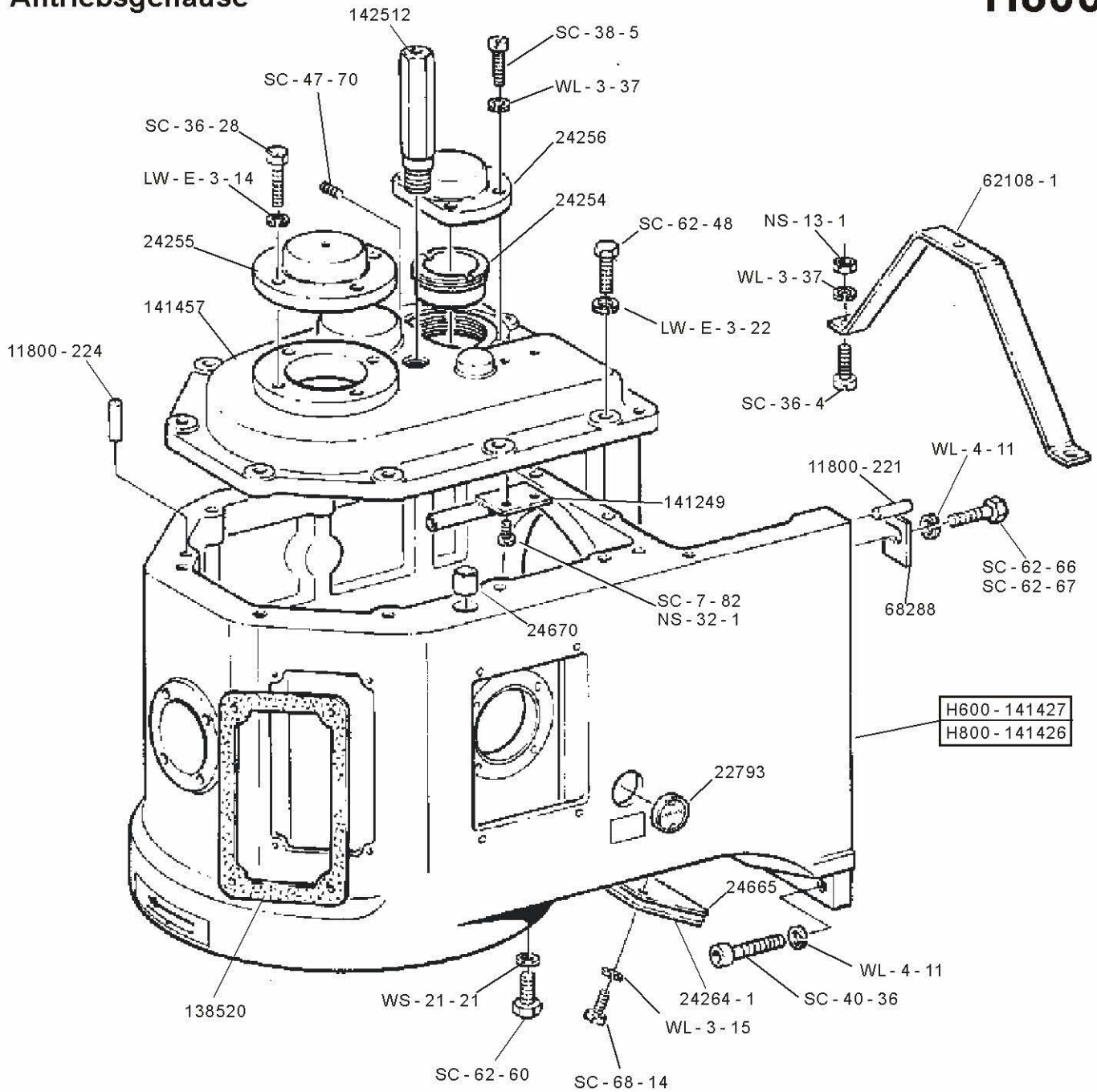


Base and pedestal unit
Base et Colonne
Gehäuse mit standfüßen



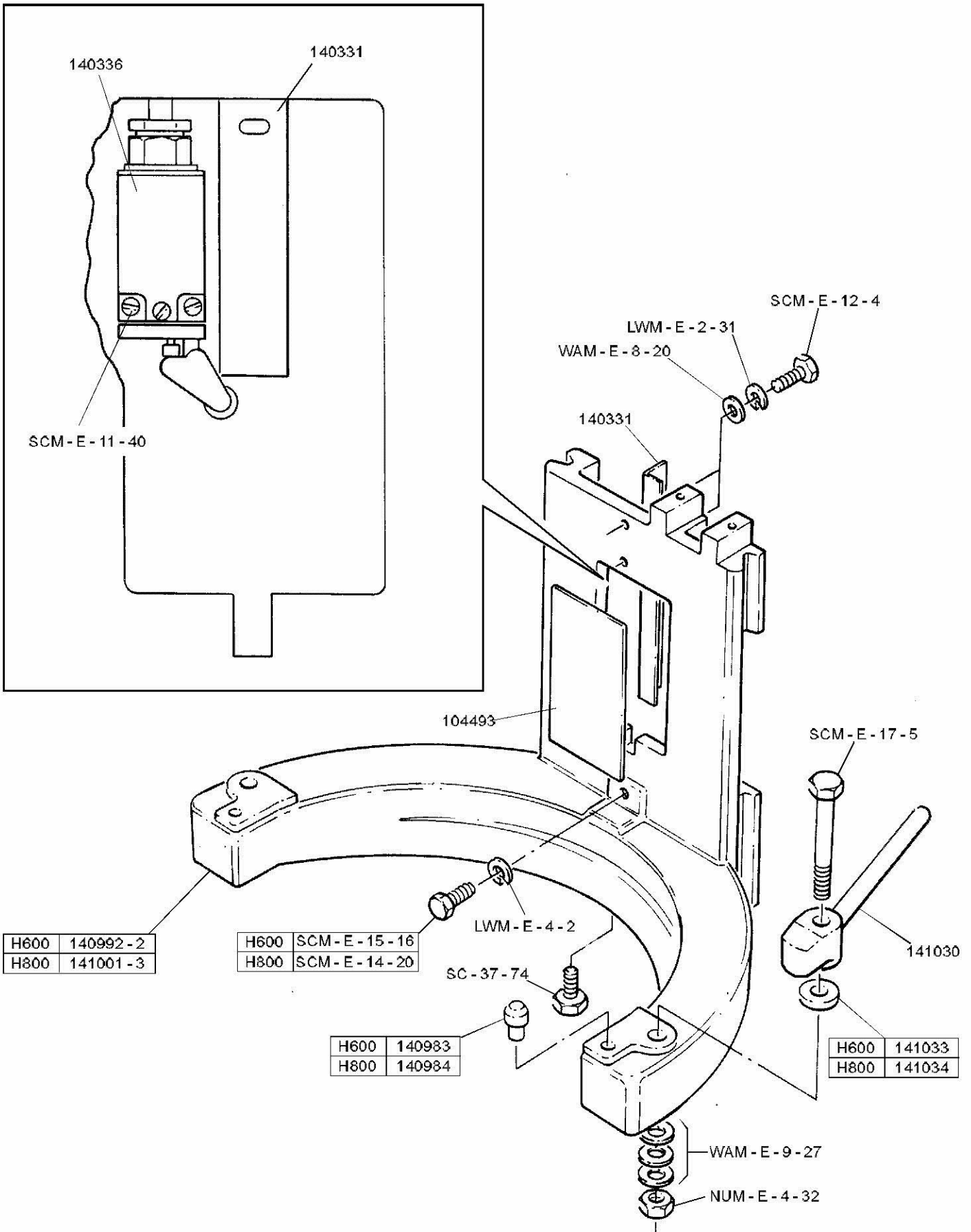
Transmission case unit
 Boîte de vitesses
 Antriebsgehäuse

H600
 H800



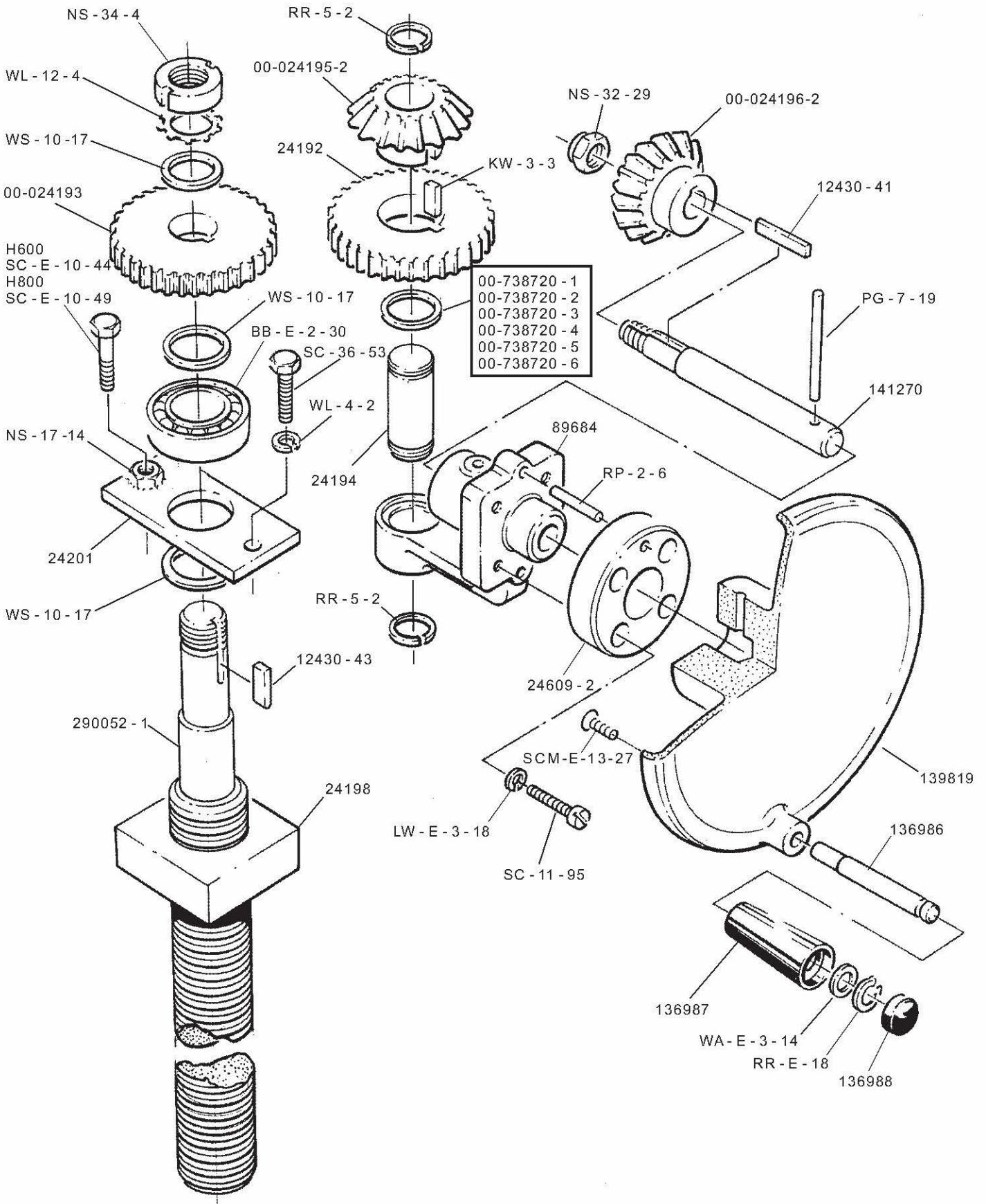


Bowl support and bowl lift
Support et relevage de bol
Kesselheber und haalterung



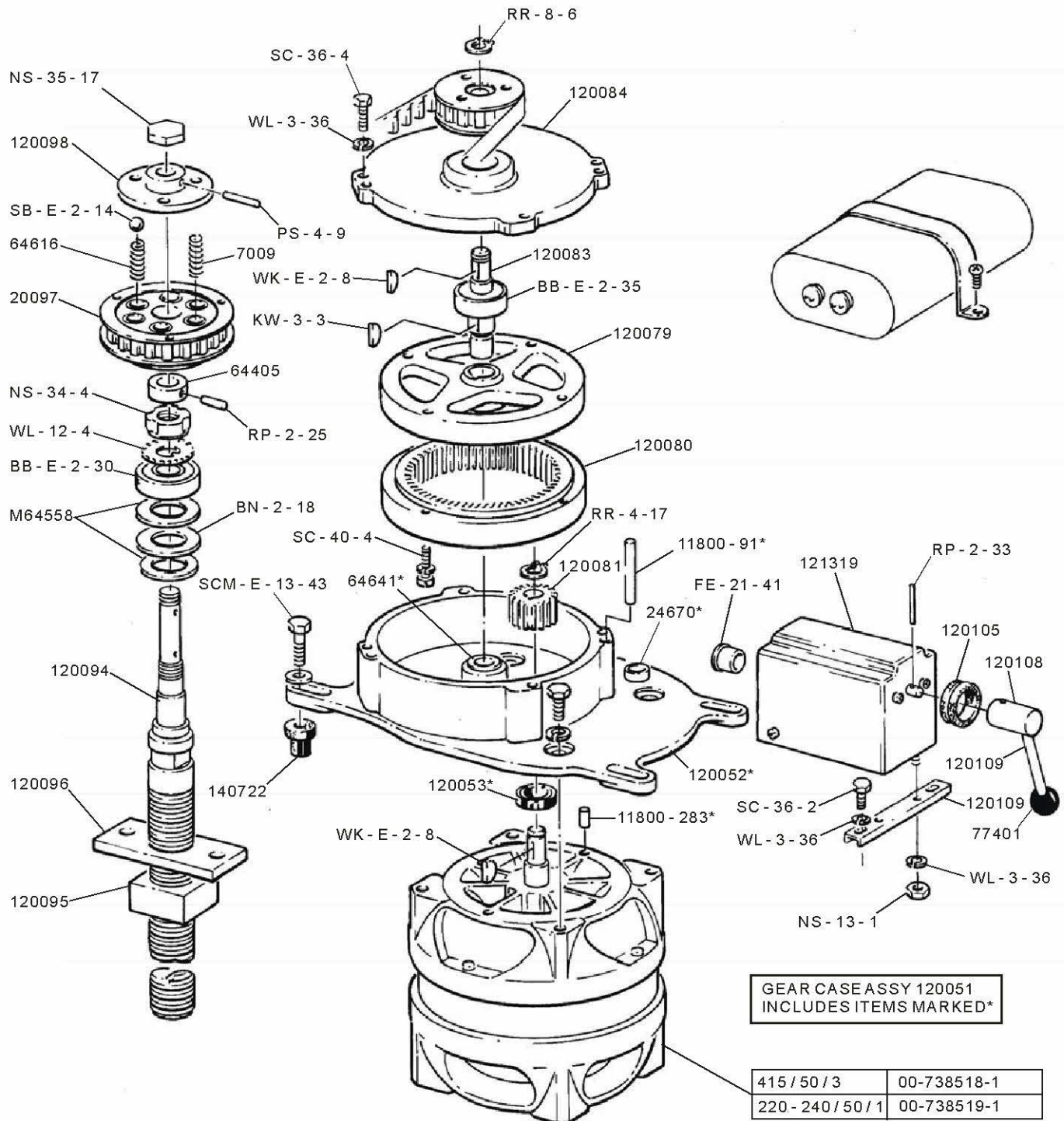
Bowl support and bowl lift
Support et relevage de bol
Kesselheber und haalterung

H600
H800



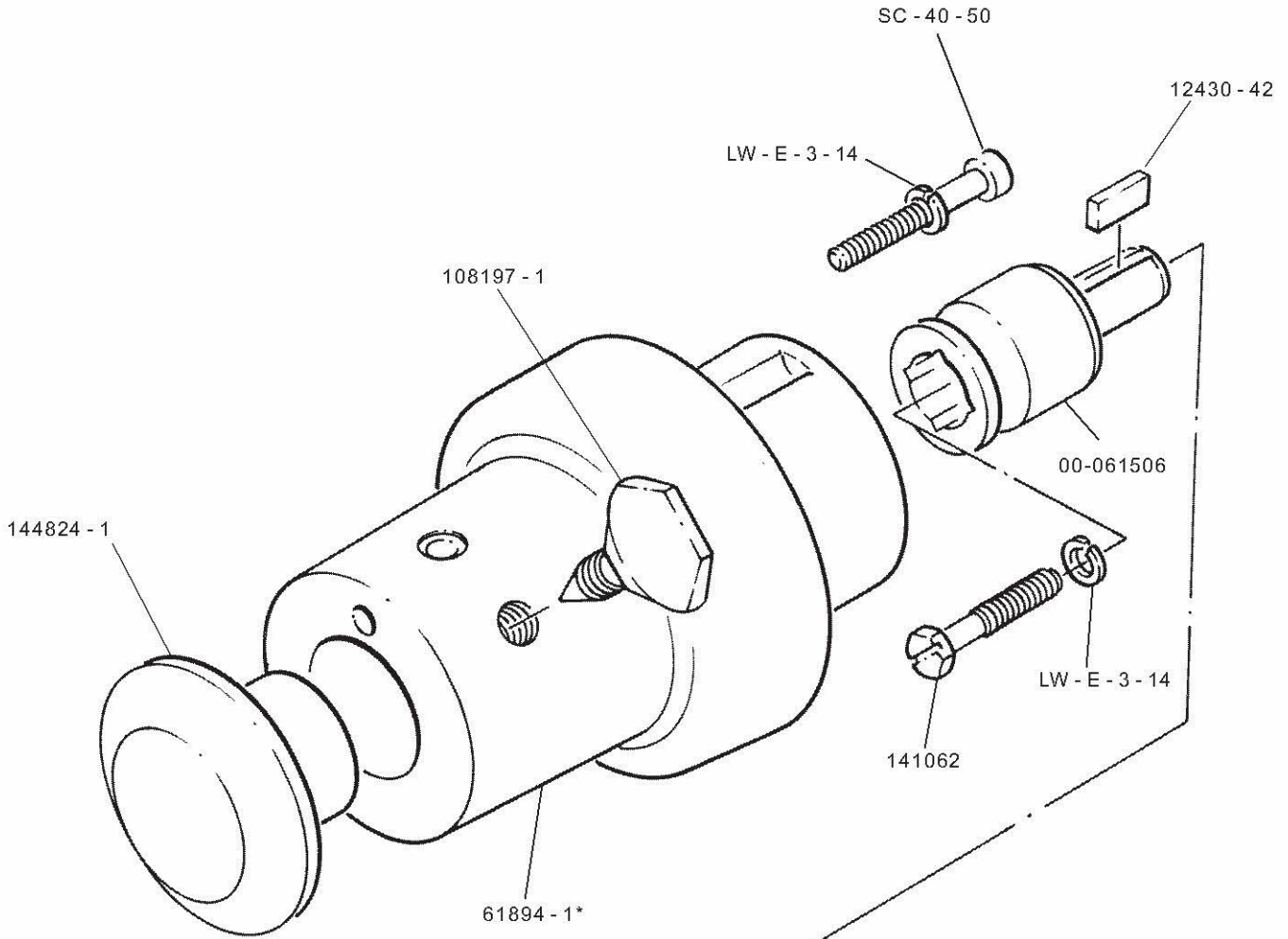


Shifting Unit Changement de vitesses Geschwindigkeit Keitswahlschalter

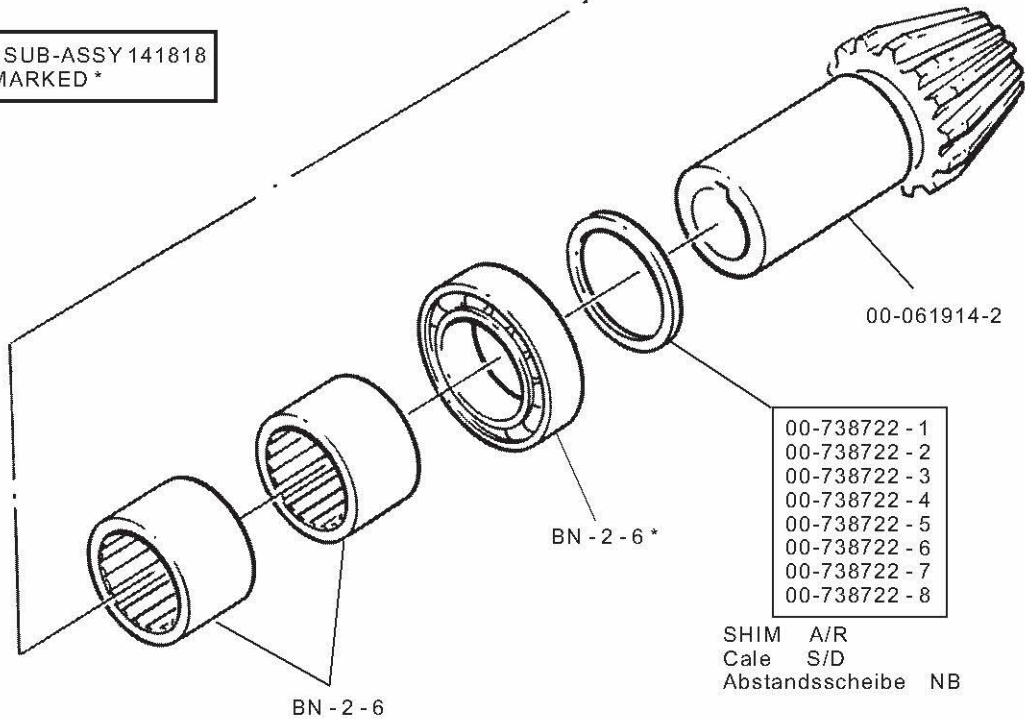


**Attachment hub
 Cannon port-accessoires
 Ansatznabe**

**H600
 H800**

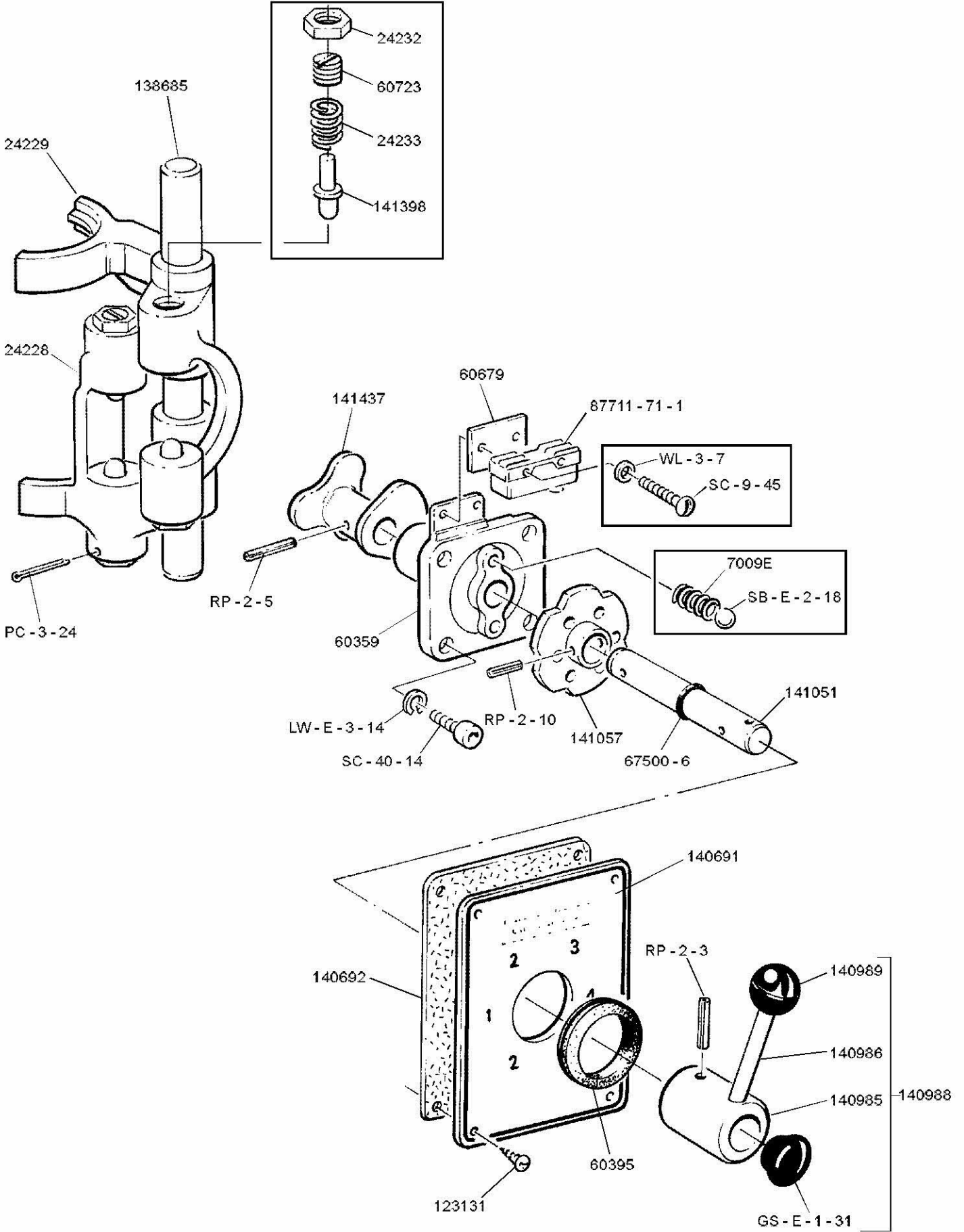


ATTACHMENT HUB SUB-ASSY 141818
 INCLUDES ITEMS MARKED *





Shifting Unit Changement de vitesses Geschwindigkeitswahlschalter

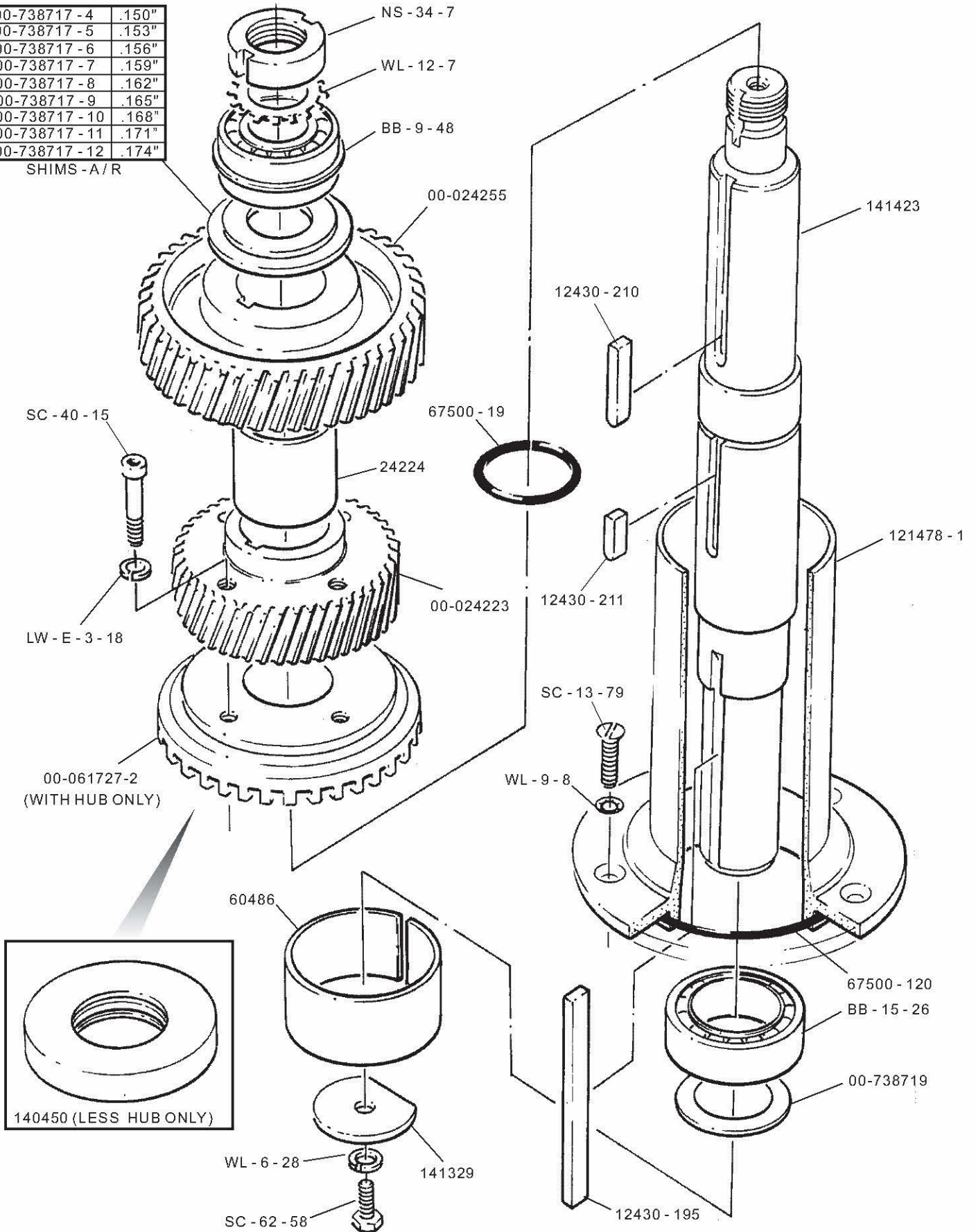


**Planetary Shaft
Planétaire arbe
Planetengetriebewelle**

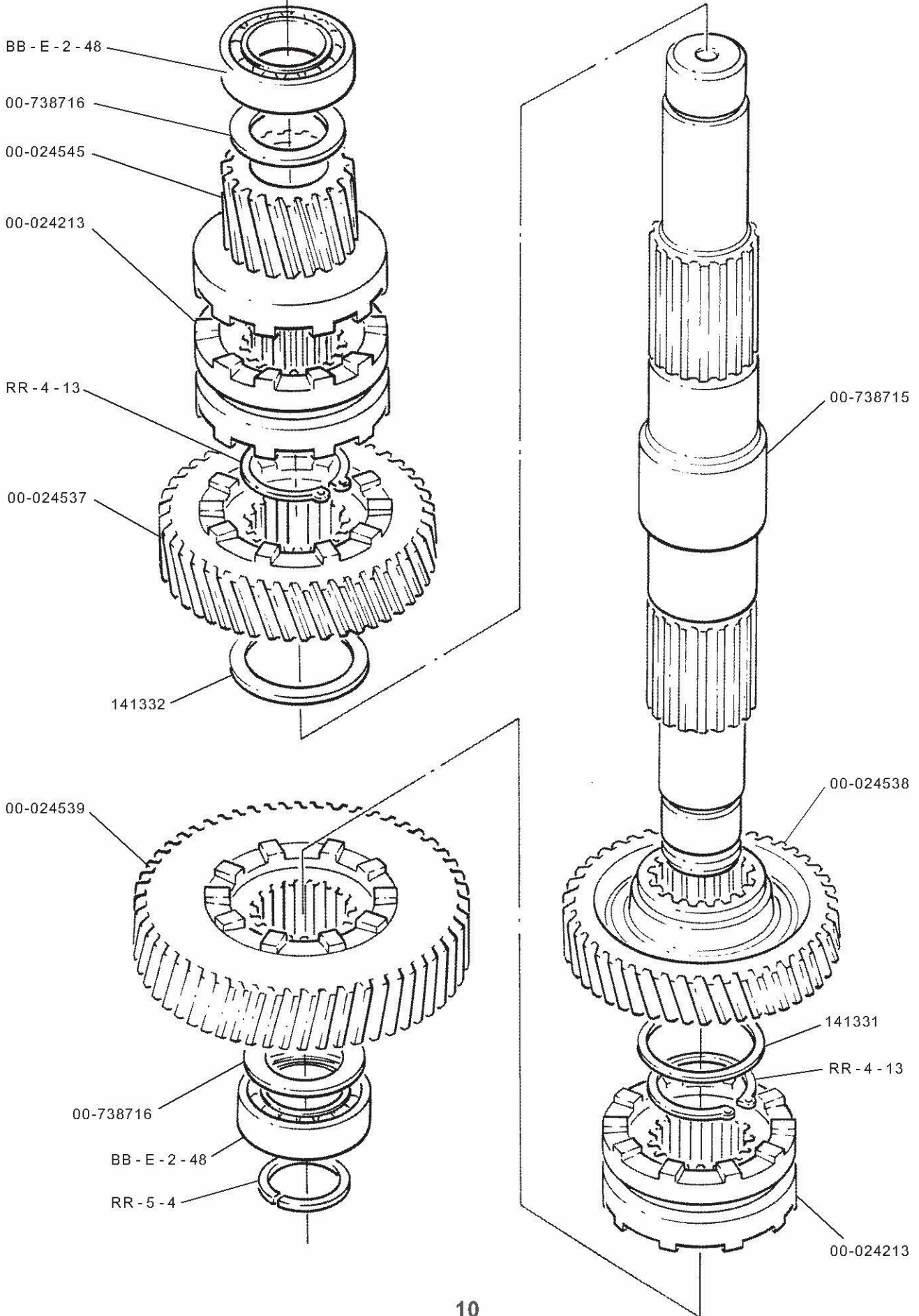
**H600
H800**

00-738717-4	.150"
00-738717-5	.153"
00-738717-6	.156"
00-738717-7	.159"
00-738717-8	.162"
00-738717-9	.165"
00-738717-10	.168"
00-738717-11	.171"
00-738717-12	.174"

SHIMS -A/R

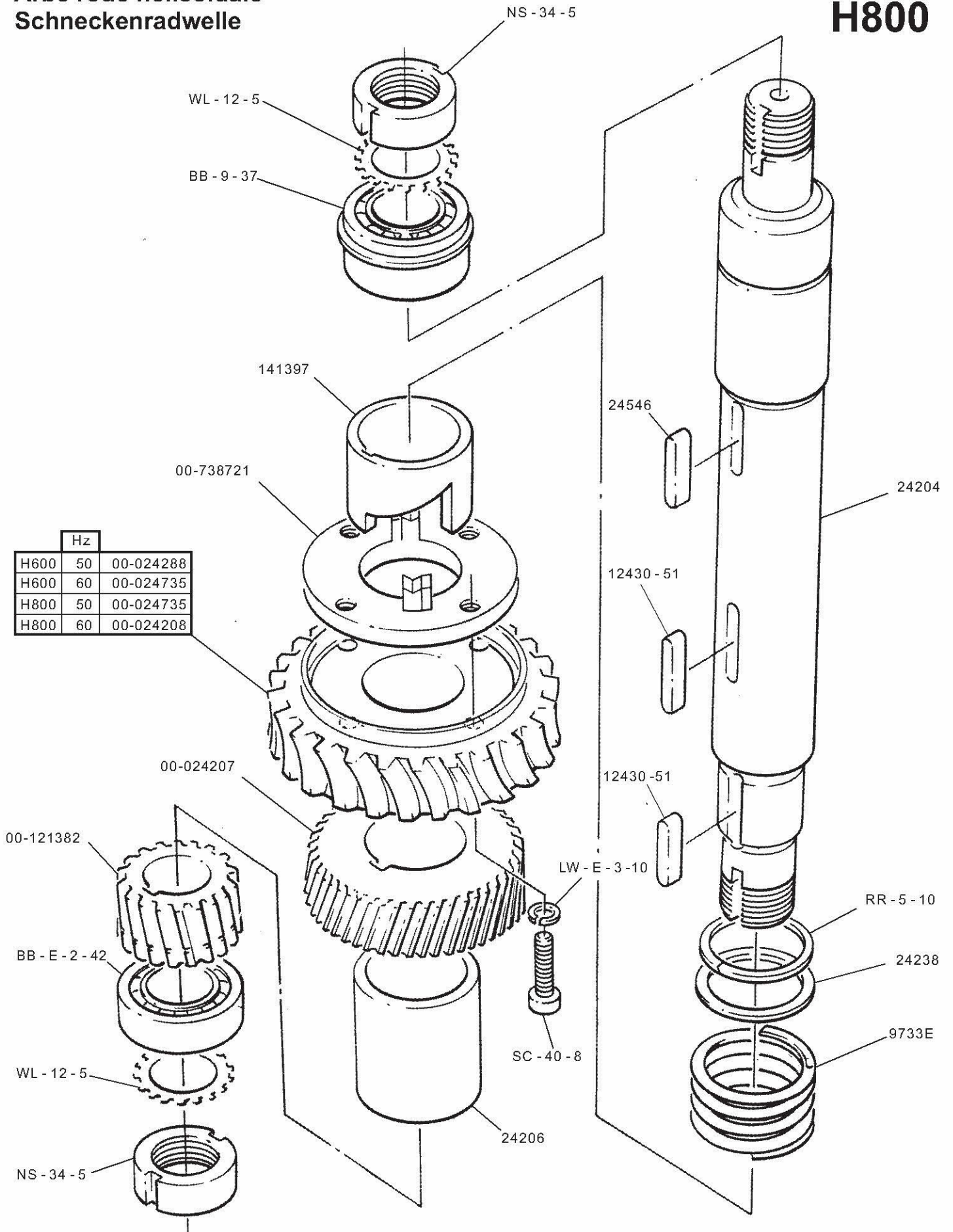


Clutch Shaft Arbre des clabots Kupplungswelle

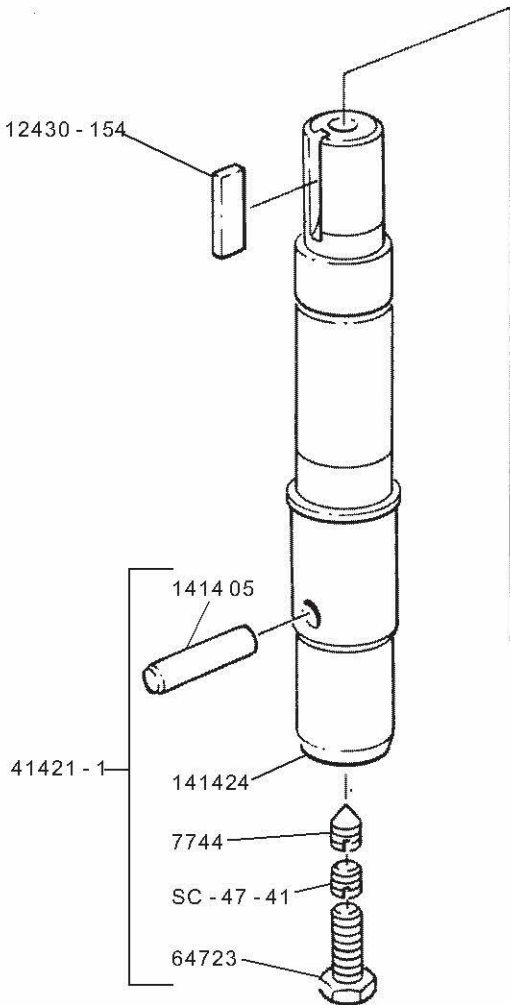
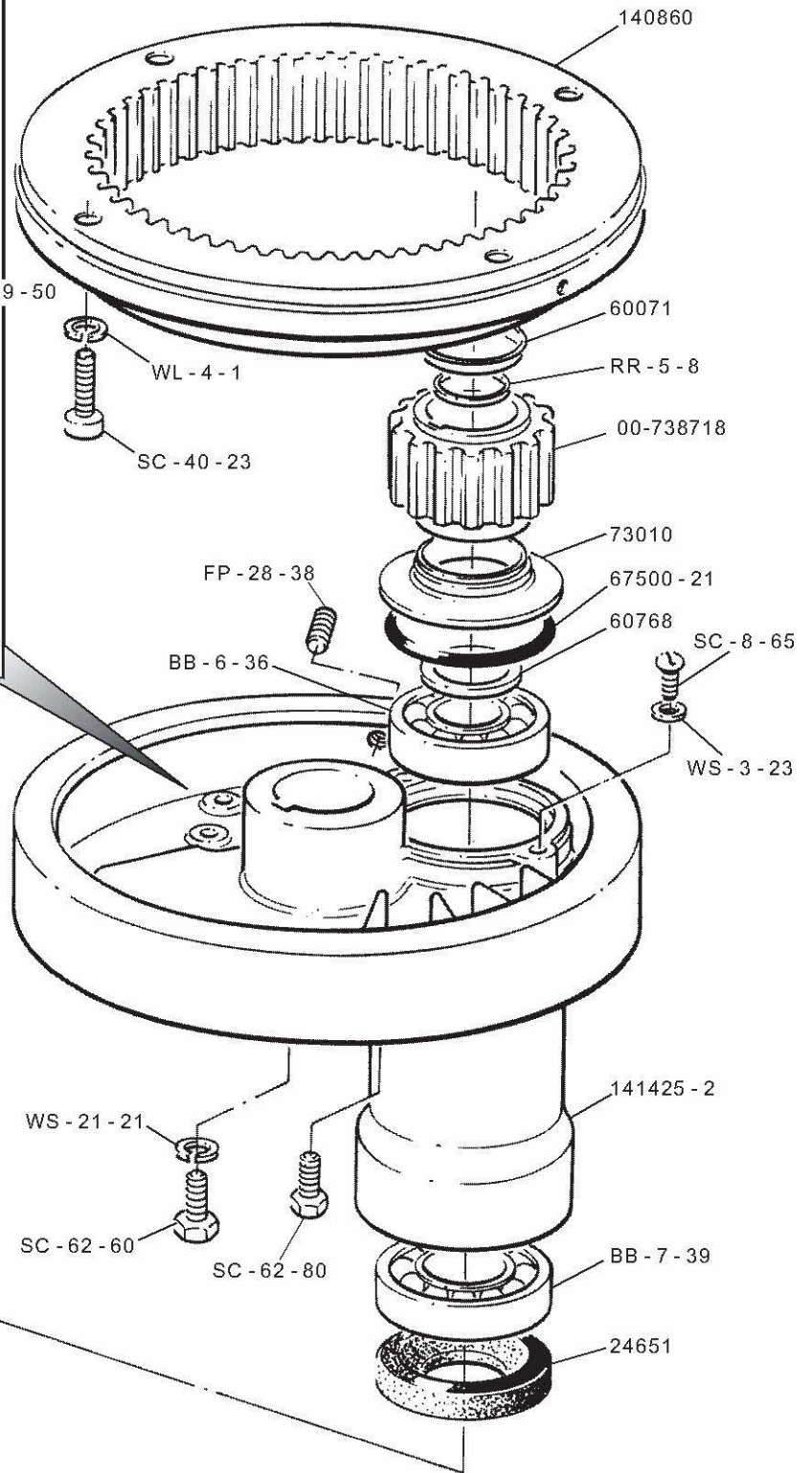
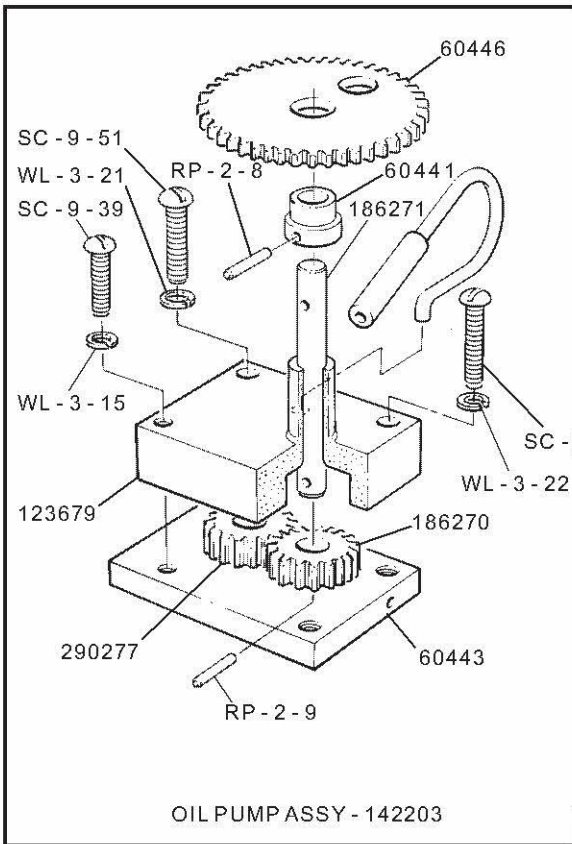


**Worm Gear Shaft
Arbre roue helicoidale
Schneckenradwelle**

**H600
H800**



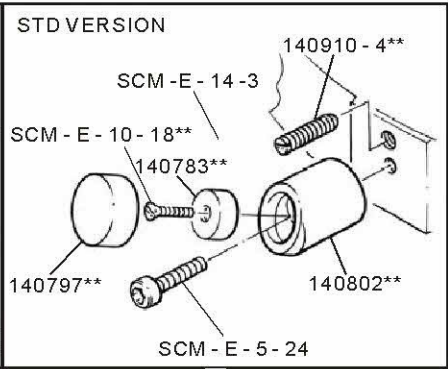
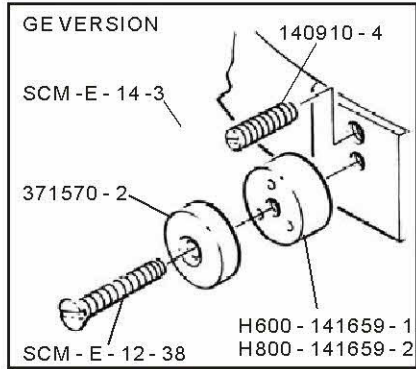
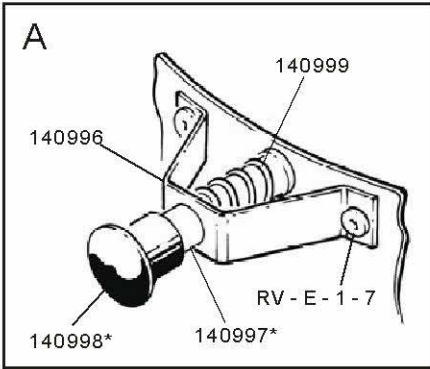
	Hz	
H600	50	00-024288
H600	60	00-024735
H800	50	00-024735
H800	60	00-024208



Guard Assembly
Sécurité de bol
Schutzgitter

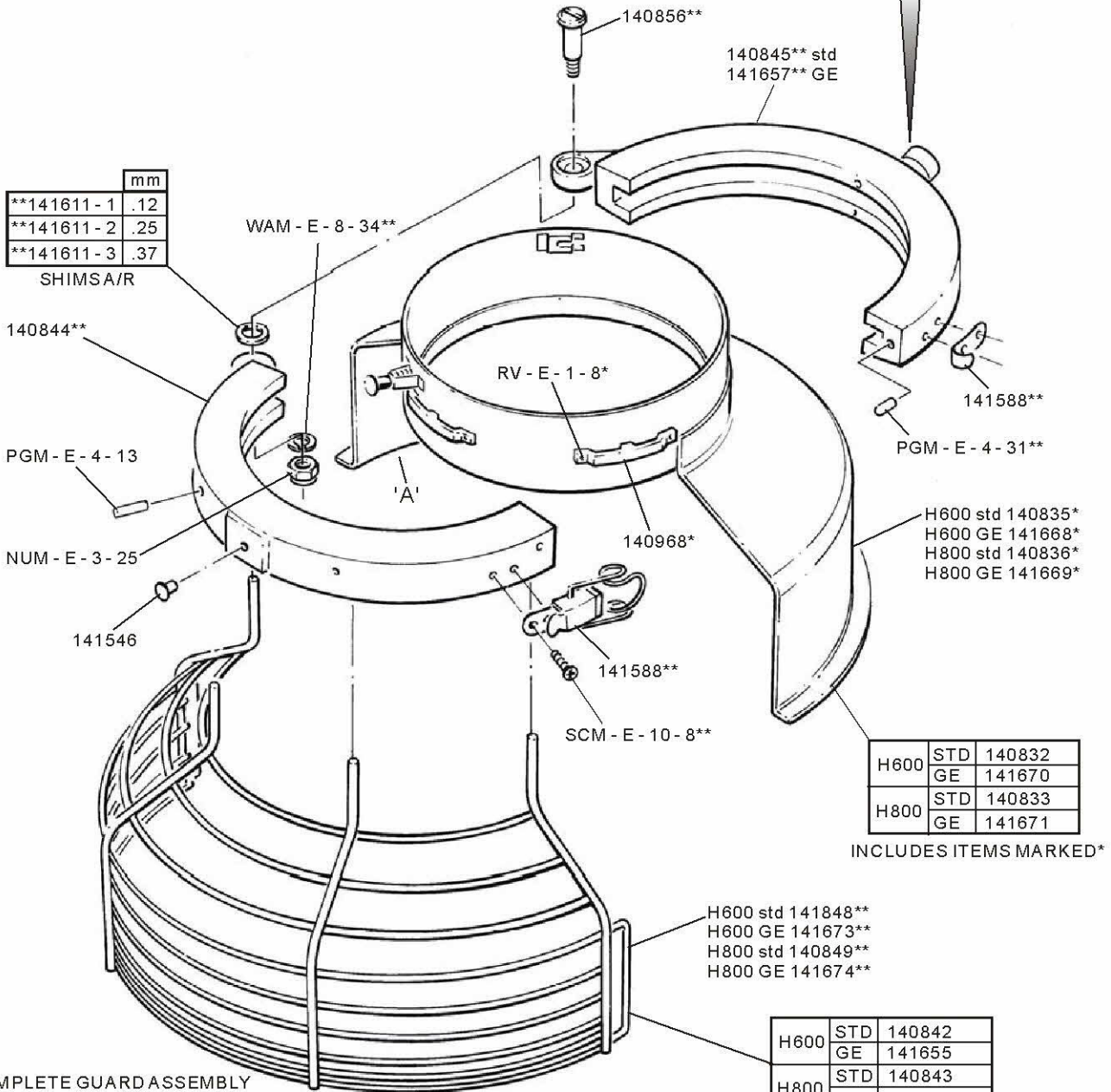
H600 to MAY 01 Before 970160716
H800 to AUG 03 Before 970168636

H600
H800



	mm
**141611-1	.12
**141611-2	.25
**141611-3	.37

SHIMSA/R



H600	STD	140832
	GE	141670
H800	STD	140833
	GE	141671

INCLUDES ITEMS MARKED*

H600 std 141848**
H600 GE 141673**
H800 std 140849**
H800 GE 141674**

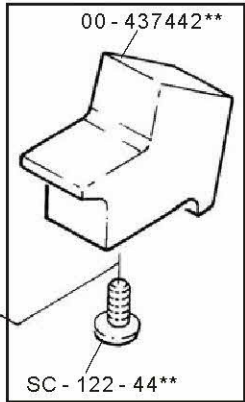
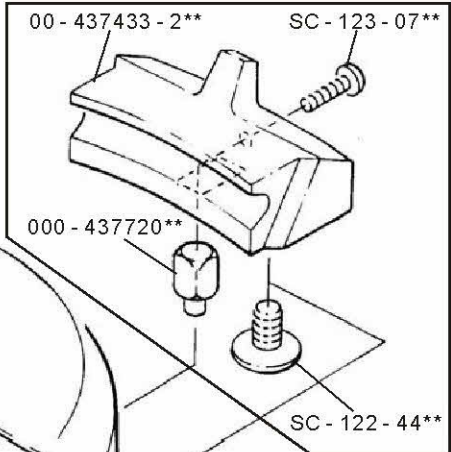
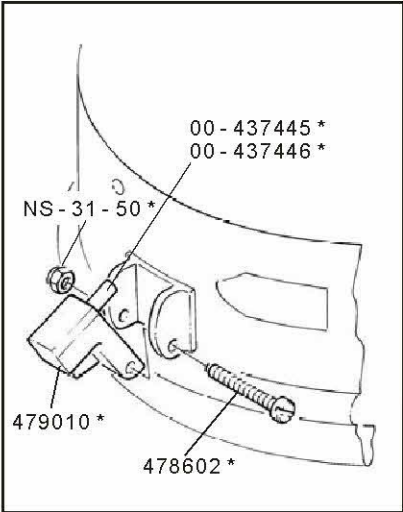
H600	STD	140842
	GE	141655
H800	STD	140843
	GE	141671

INCLUDES ITEMS MARKED*

COMPLETE GUARD ASSEMBLY

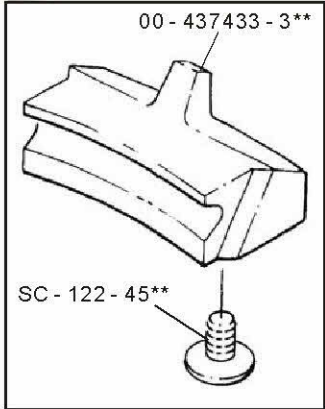
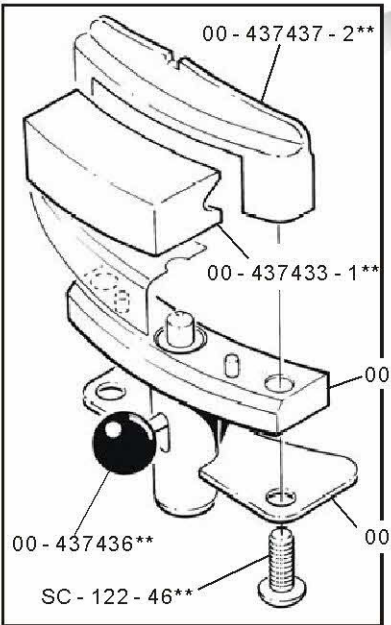
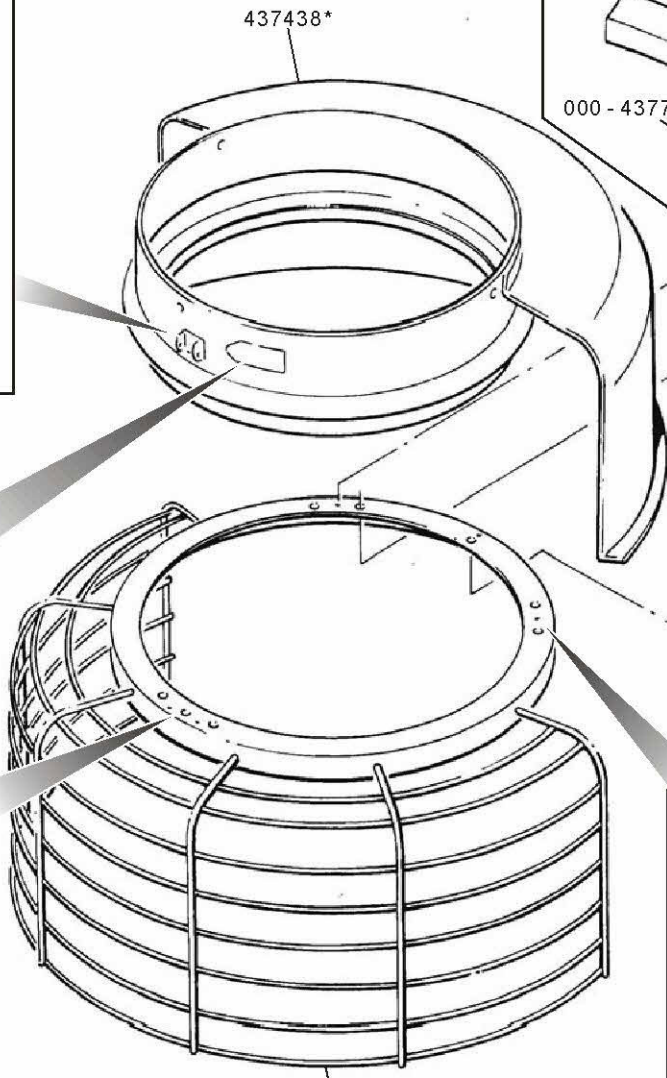
H600	STD	141826
	GE	141828
H800	STD	141827
	GE	141829

NOTE:-
SPLASH GUARD ASSY.
00-437450
INCLUDES ITEMS THUS*



**PUSH HERE TO
TURE CAGE**

00-438712*

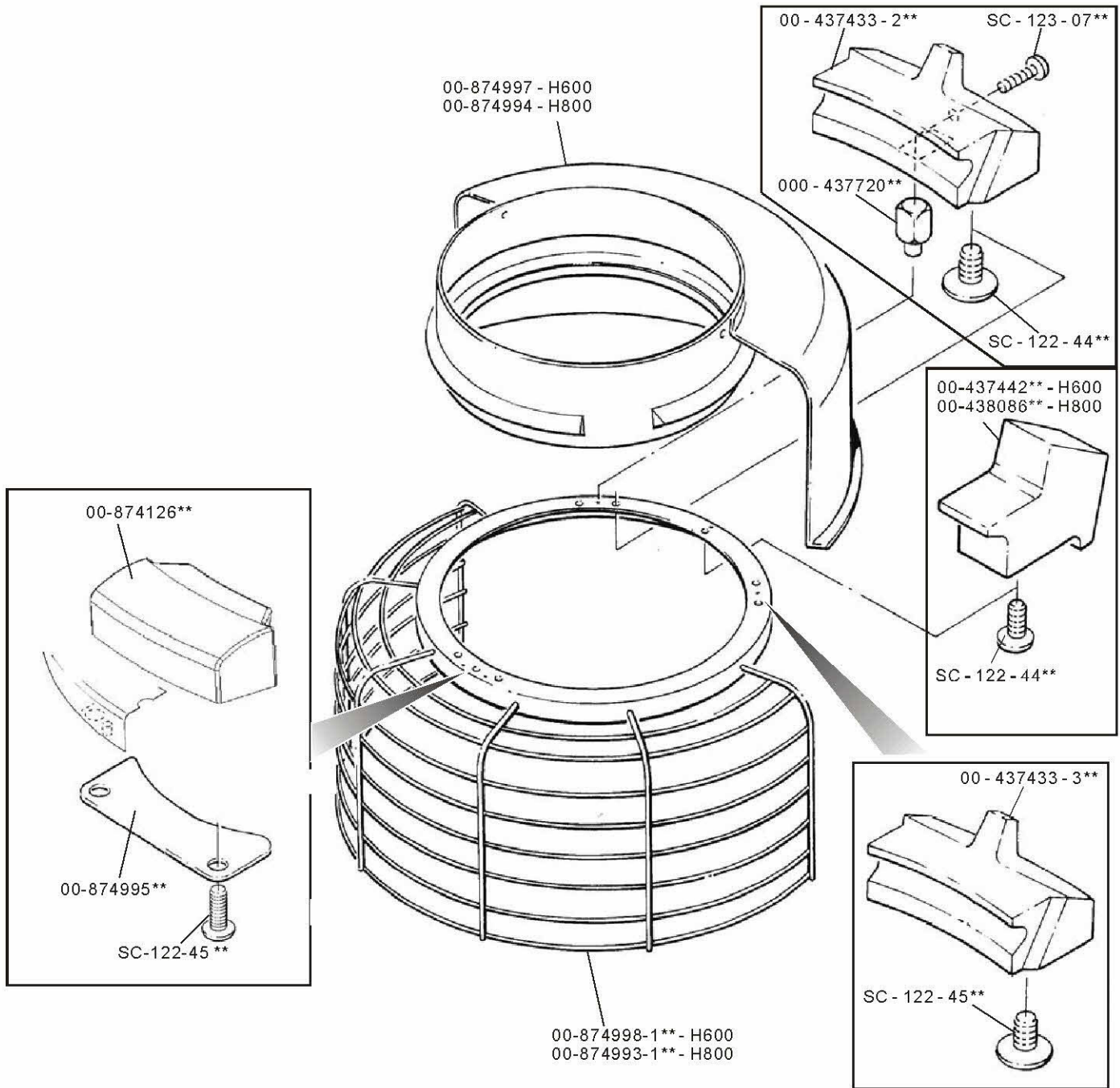


NOTE:-
CAGE ASSY. = 00-438160
INCLUDES ITEMS MARKED THUS**

Guard Assembly
 Sécurité de bol
 Schutzgitter

H600 from SEPT 03 970169049
 H800 from AUG 03 970169636

H600
 H800



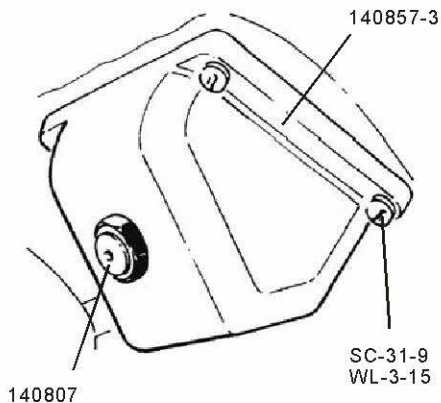
NOTE:-
 CAGEASSY. = 00-874999 - H600
 CAGEASSY. = 00-874992 - H800
 INCLUDES ITEMS MARKED THUS**



Transmission case unit
Boîte de vitesses
Antriebsgehäuse

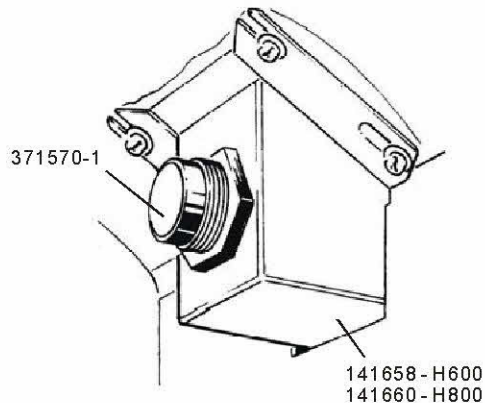
H600 TO MAY 01 Before 970160716
H800 TO AUG 03 Before 970168636

EG - UK & FRANCE



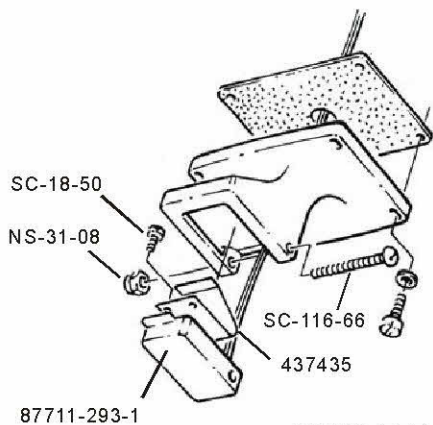
GUARD REF PAGE 13

GS - GERMANY



H600 FROM MAY 01 TO SEPT 03
970160716 TO 970169048

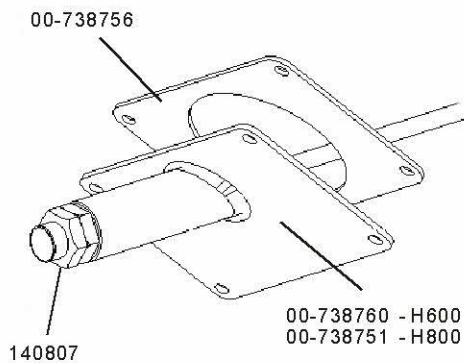
EG - UK & FRANCE



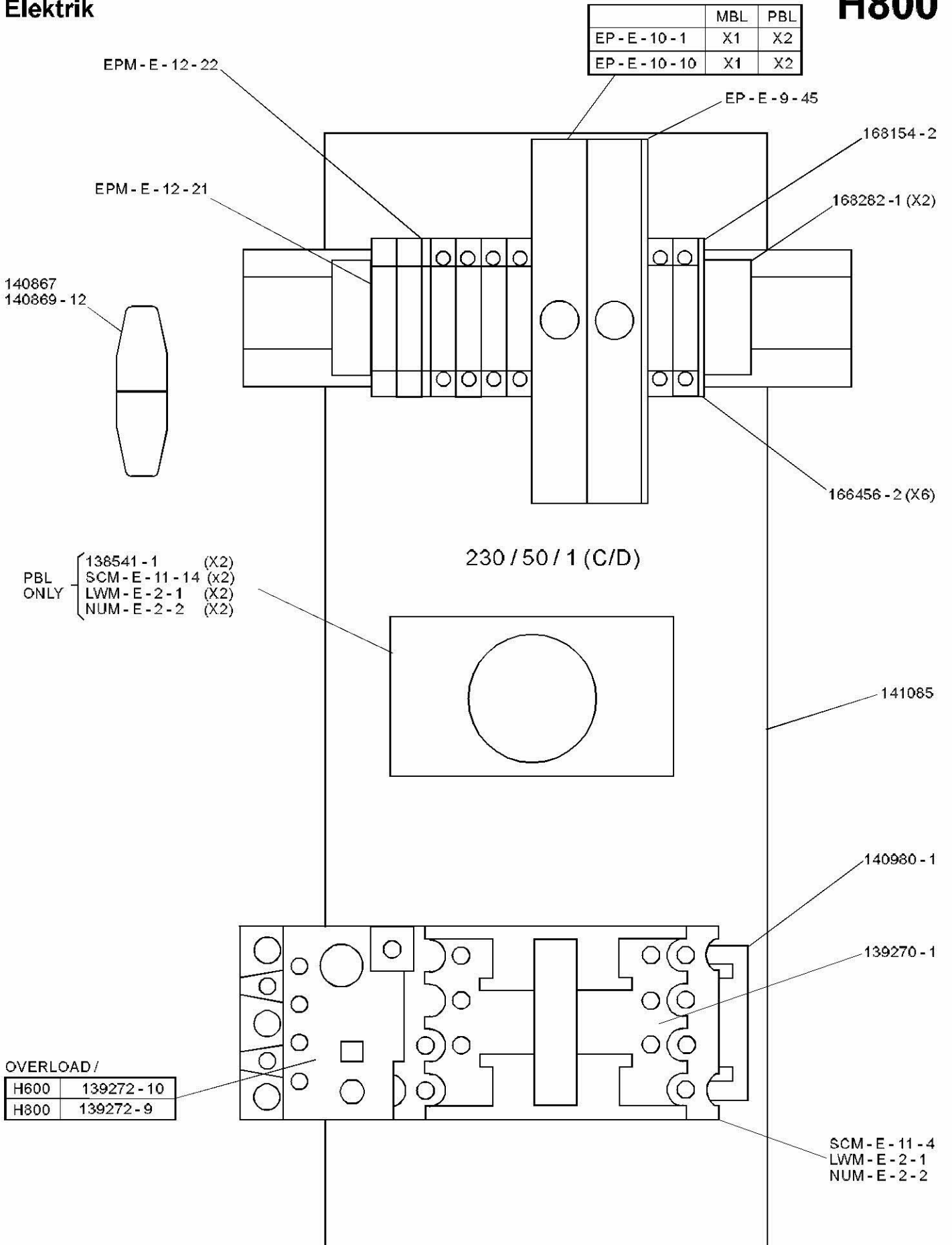
GUARD REF PAGE 14

H600 FROM SEPT 03 From 970169049
H800 FROM AUG 03 From 970168636

EG - UK & FRANCE

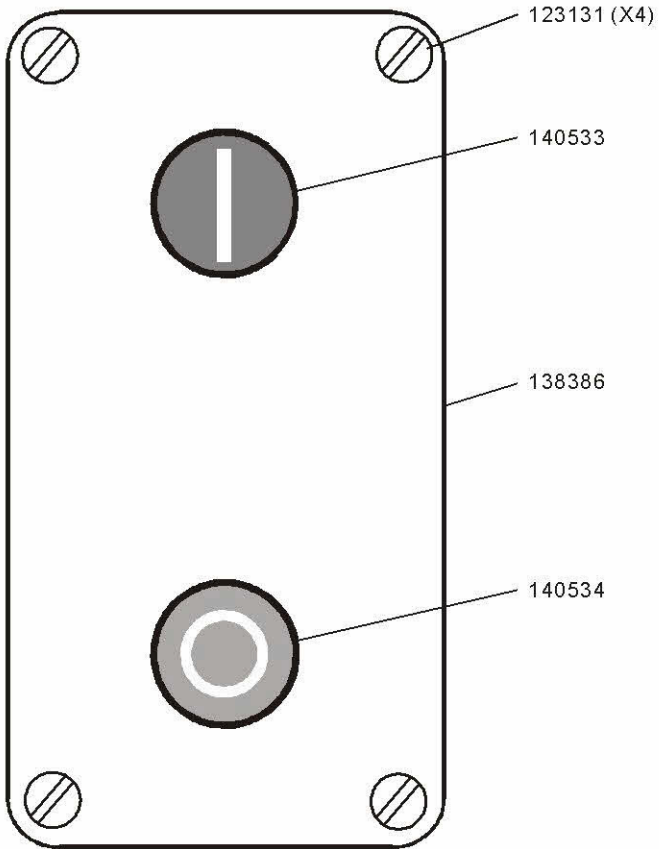


GUARD REF PAGE 15



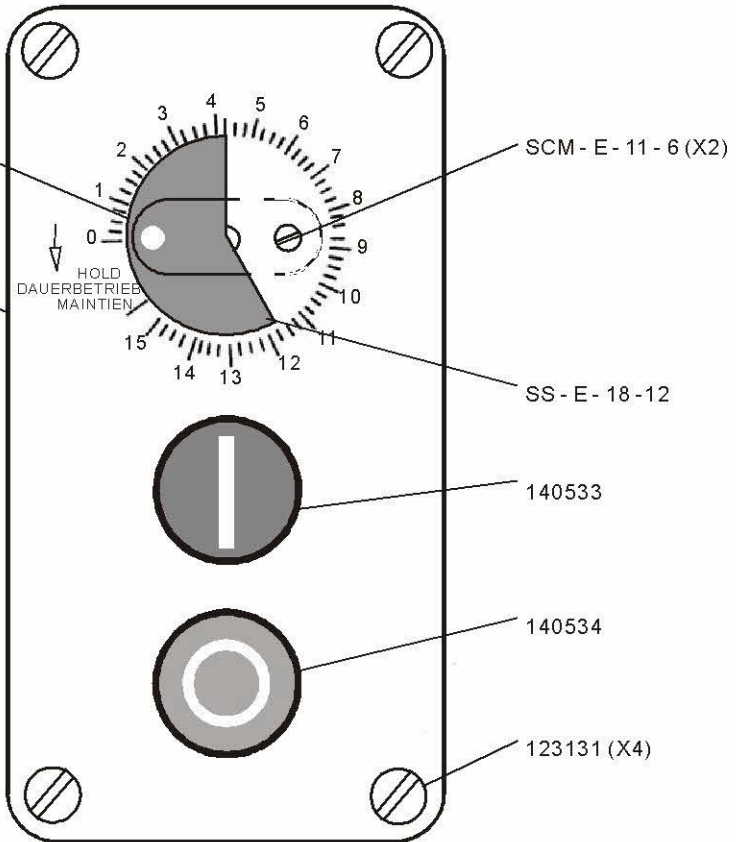


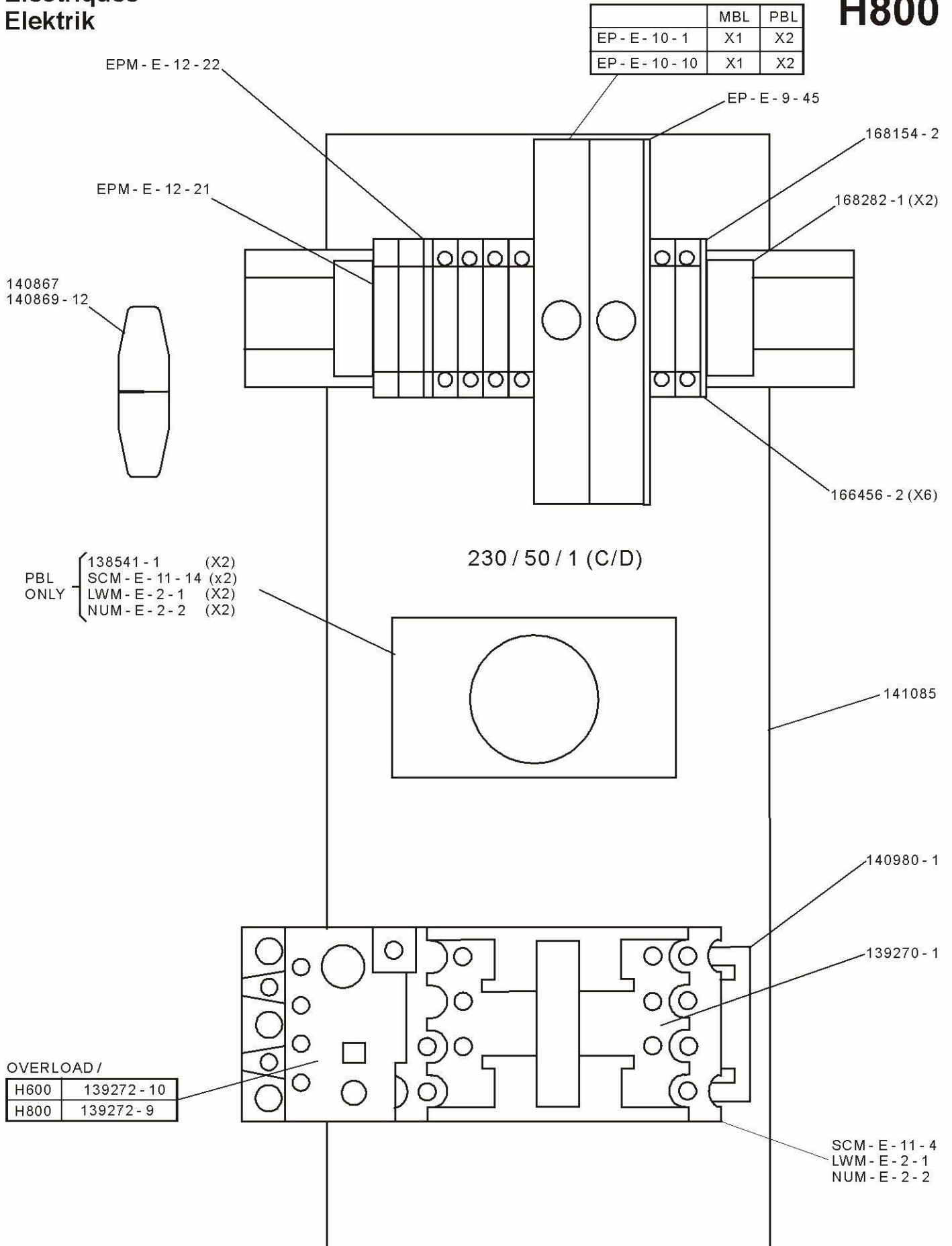
Timer
Minuterie
Zeitschater



TIMER / Minuterie / Zeitschater	
15 min	SS - E - 18 - 10
30 min	SS - E - 18 - 11

Plate timer / Plaque minuterie Zeitschaterplatte	
15 min	139396
30 min	139869







**Electrics
Électriques
Elektrik**

230/50/3 (F/G)
400/50/3 (H/S)
400/50/3+ (K/L)

H600 MBLE G H800	400/50/3
H600 PBL H800	400/50/3
	400/50/3-4
	230/50/3

EP-E-10-1	X3	X6	X1	X2
EP-E-10-10	X3	X6	X1	X2

SCM-E-4-37
LWM-E-2-35
NUM-E-2-27

EP-E-9-45

166456-2 (X7) 400/50/3
(X8) 400/50/3-4

168154-2

168282-1 (X2)

GERMANY ONLY
371568-1
142031 (X2)
SCM-E-11-30 (X2)
NUM-E-2-22 (X2)

140867
140869-12

57136-1
SCM-E-3-8 (X2)
LWM-E-2-1 (x2)
NUM-E-2-22 (X2)
400/50/3 ONLY

140980-1

PBL ONLY

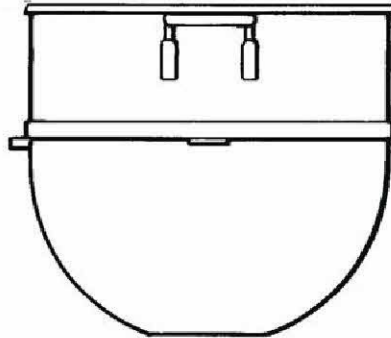
141440-11 (X2)
144251
SCM-E-11-14 (X6)
LWM-E-2-1 (X6)
NUM-E-2-22 (X6)

SCM-E-11-14(X2)
LWM-2-1 (X2)
NUM-2-2 (X2)

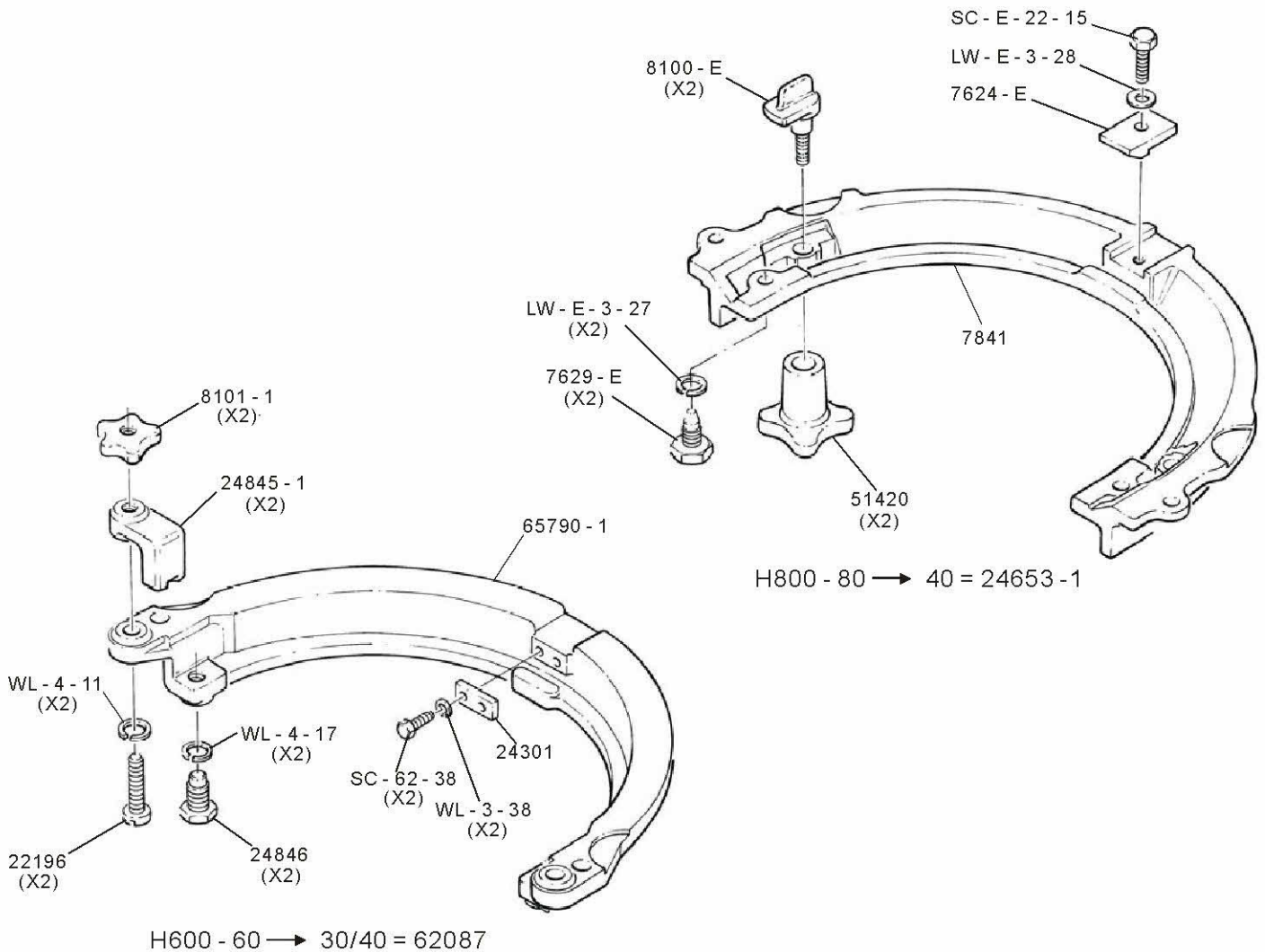
OVERLOAD/

H600	139272-8	400/50/3
H800	139272-9	400/50/3-4
H600		230/50/3
H800		400/50/3-4

141085



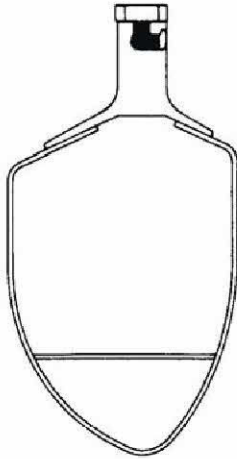
	H600	H800
30qt S/S BOWL	295648	-
40qt BOWL	295650	-
40qt S/S BOWL	275686	275686
60qt S/S BOWL	66462	-
80qt S/S BOWL	-	59780



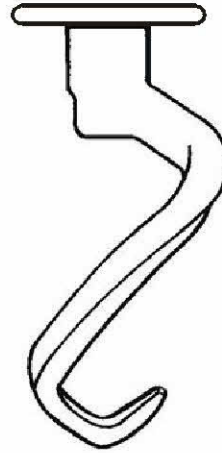


Agitators
 Agitateurs
 Rührwerkzeuge

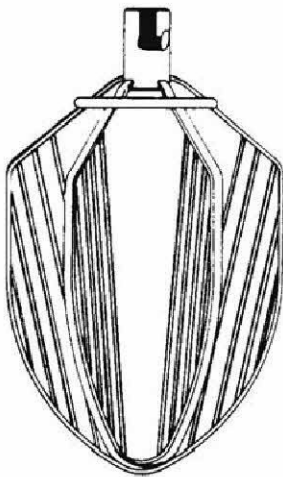
H600
 H800



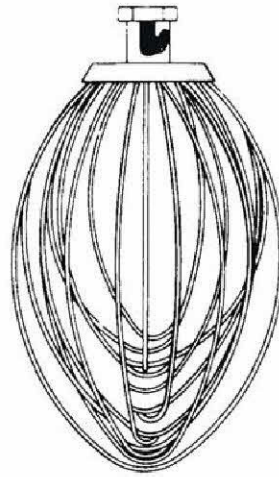
	H600	H800
30qt	275159	-
60qt	68096	-
80qt	-	52396



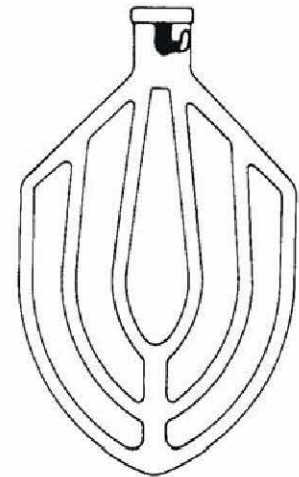
	H600	H800
40qt EB	295176	-
60qt ED	141430	-
40qt M	-	8151 - E
80qt ED	-	141431



	H600	H800
40qt	275159	-
60qt	295156	-
80qt	-	53339



	H600	H800
30qt	295031	-
40qt	9006 - E	9006 - E
60qt	-	-
80qt	-	52912



	H600	H800
30qt	275809	-
40	12108 - E	12108 - E
40qt s/s	55662	55662
60	141429 - 1	-
60qt s/s	141429 - 2	-
80	-	52312
80qt s/s	-	53309

SERVICE

Hobart trained service technicians strategically located at the listed Hobart branches are prepared to give you fast, efficient and reliable service. Protect your investment by having a Hobart inspection contract, which assures the continued, efficient operation of your Hobart machines, spares and accessories.

Continued product improvement is a Hobart Still policy, specifications may change without notice.

Hobart ayant une politique d'amélioration constante de ses produits, les spécifications peuvent changer sans préavis.

Unsere Produkte werden ständig verbessert. Deshalb behält sich Hobart Still Änderungen der technischen Daten ohne Vorankündigung vor.