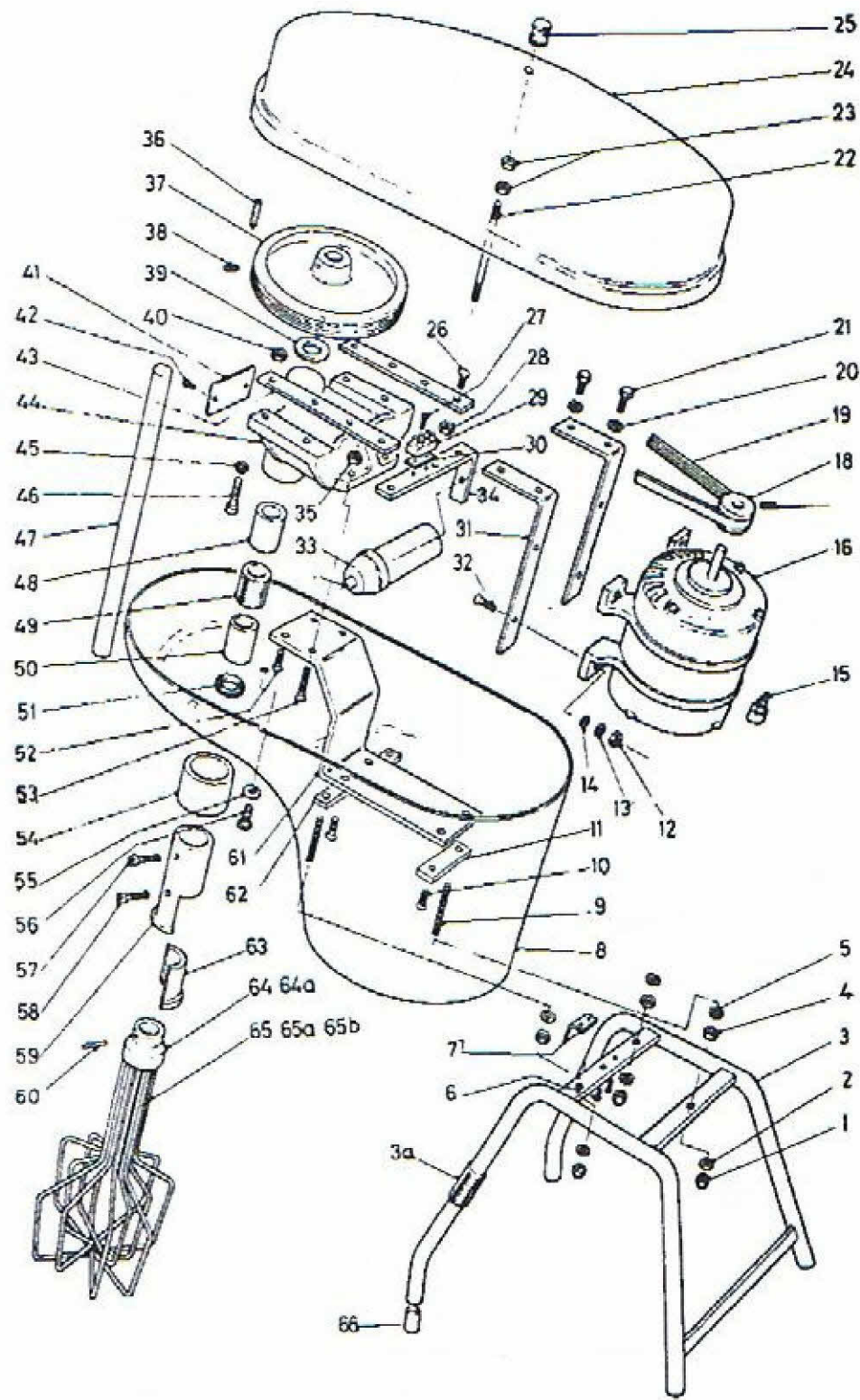


Service Replacement Parts



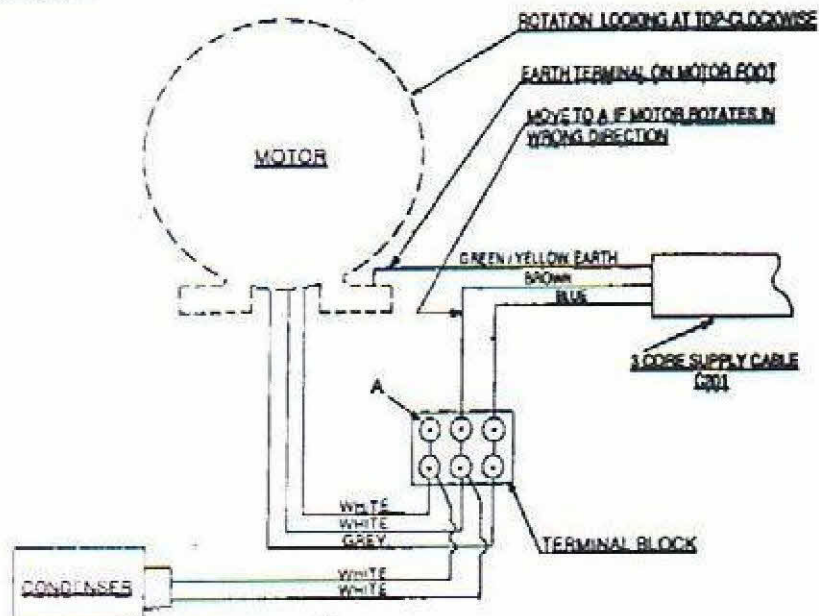
When ordering spares always give a full description of the part required, state the type of machine and the serial number which can be found on the rating plate fitted to the rear of the machine.

Feb 1988

Service Replacement Parts

K1 BATTER MIXER

Item	Part No.	Description	Quantity	Item	Part No.	Description	Quantity
1	Q.93F	1/2" BSF Full Nut	3	34	Q.17174B	Condenser Bracket	1
2	8601C	1/2" Std Washer	3	35	Q.93F	1/2" BSF Full Nut	2
3	Q.17212	Tubular Stand	1	36	Q.17182	1/4" x 1/2" x 1/2" long Key	1
4	Q.93F	1/2" BSF Full Nut	3	37	Q.17162	Driven Pulley	1
5	8601C	1/2" Std Washer	3	38		Csk Hd. Rivet	1
6	8185A	Round Hd Screw No. 2 BA x 1/2"	2	39	Q.14550	Shim	1
7	Q.17213A	Bucket Locator	1	40	Q.93F	1/2" BSF Full Nut	4
8	Q.17164	Enclosure	1	41	Q.631B	Nameplate	1
9	Q.17211	Main Fixing Stud	3	42	50281/12	Self Tapping Screw	2
10	Q.12012A	C'sk Hd. Screw 1/2" BSF x 1/2" long	2	43	Q.17175A	Support Strap for Motor Bracket	2
11	Q.17177A	Back Cross Bar	1	44	Q.17160	Transmission Bracket	1
12	Q.93F	1/2" BSF Full Nut	3	45	8636A	1/2" Grover Nut	4
13	8636A	1/2" Grover Nut	4	46	Q.125A	1/2" BSF x 1" long Cheese Hd. Screw	4
14	8601C	1/2" Std Washer	4	47	Q.17168	Beater Shaft	1
15	Q.15820	Cable Clip	1	48	Q.17178	Oilite Bush	1
16	Q.17185	Motor	1	49	Q.17179	Felt between Bushes	1
17	Q.17161	Driving Pulley	1	50	Q.17178	Oilite Bush	1
18	Q.17163	Poly-Vee Belt	1	51	Q.17180	Felt Packing	1
20	8601C	1/2" Std Washers	4	52	Q.12012A	1/2" BSF x 1/2" C'sk Hd. Screw	4
21	Q.1B	1/2" BSF x 1/2" long Hex. Hd. Screw	4	53	Q.156B	1/2" BSF x 1" long C'sk Hd. Screw	4
22	Q.17169A	Stud for Top	1	54	Q.17168A	Sleeve for Whisk Coupling	1
23	Q.93F	1/2" BSF Full Nut	2	55	8601C	1/2" Std. Washer	2
24	Q.17165	Top	1	56	Q.12146	1/2" BSF x 1/2" long Round Hd. Screw	2
25	Q.473	1/2" BSF Knurled Nut	1	57	Q.17183	1/2" BSF x 1/2" long Cheese Hd. Screw	1
26	8228B	No. 2BA x 1/2" C'sk Hd. Screw	2	58	Q.17183	1/2" BSF x 1/2" long Cheese Hd. Screw	1
27	8263	1/2" whit x 1/2" Cheese Hd. Screw	2	59	Q.17167A	Beater Shaft Coupling	1
28	Q.93F	1/2" BSF Full Nut	2	61	Q.17172B	Main Bracket	1
29	Q.15164	Terminal Block	1	62	Q.17176A	Front Cross Bar	1
30	Q.16612	Insulation	1	63	Q.17189A	Whisk Coupling	1
31	Q.17173B	Motor Bracket	2	64	43147	Whisk Assembly	1
32	Q.156B	1/2" BSF x 1" long C'sk Hd Screw	2	66	50438/05	Plastic Insert	4
33	Q.17199	Condenser	1				



OR 1378