

LAVASTOVIGLIE A CAPOTTINA da 1000 / 1200 piatti/h
HOOD TYPE DISHWASHER up to 1000 / 1200 dishes/h

LS 10 / LS 12

Code	Type	Ref.	Page	Code	Type	Ref.	Page
504100	LS10	a	2 3 4 5	504128	LS12CW	q	2 3 4 5
504102	LS10UK/DP	b	2 3 4 5	504129	HT1200DEK	z	2 3 4 5
504104	ECOTEMP12	w	2 3 4 5	504153	LS12HD	r	2 3 4 5
504105	LS10/60Hz	c	2 3 4 5	504161	LS12UK/3CW	s	2 3 4 5
504107	LS10CW	d	2 3 4 5	504163	LS12AU	t	2 3 4 5 6
504108	LS10INS	e	2 3 4 5	504164	LS12UK/DPCW	u	2 3 4 5
504109	HT1200INS DEK	y	2 3 4 5	504165	ECOTEMP12SW	x	2 3 4 5
504111	LS10/9SWEDISH	f	2 3 4 5	504178	LS12CW INS	v	2 3 4 5
504114	LS10/DP	g	2 3 4 5	504190	LS12 ASIA	G	2 3 4 5
504115	LS10HD	h	2 3 4 5	698050	HT1200	A	2 3 4 5
504118	LS10/UK/1	k	2 3 4 5	698051	HT1000	D	2 3 4 5
504119	LS10UK/3	l	2 3 4 5	698052	HT1000 INS	E	2 3 4 5
504120	LS12INS	m	2 3 4 5	698053	HT1200 INS	B	2 3 4 5
504121	LS12	n	2 3 4 5	698054	HT1000 DP	F	2 3 4 5
504122	LS12DP	o	2 3 4 5	698055	HT1200 DP	C	2 3 4 5
504125	LS12/60Hz	p	2 3 4 5				

Pag.	Indice
2	Vista generale
3	Componenti idraulici
4	Circuito idraulico
5	Componenti elettrici
6	Componenti AU
7-9	Lista ricambi

Index
Main view
Hydraulic components
Hydraulic circuit
Electrical components
AU components
Spare parts list

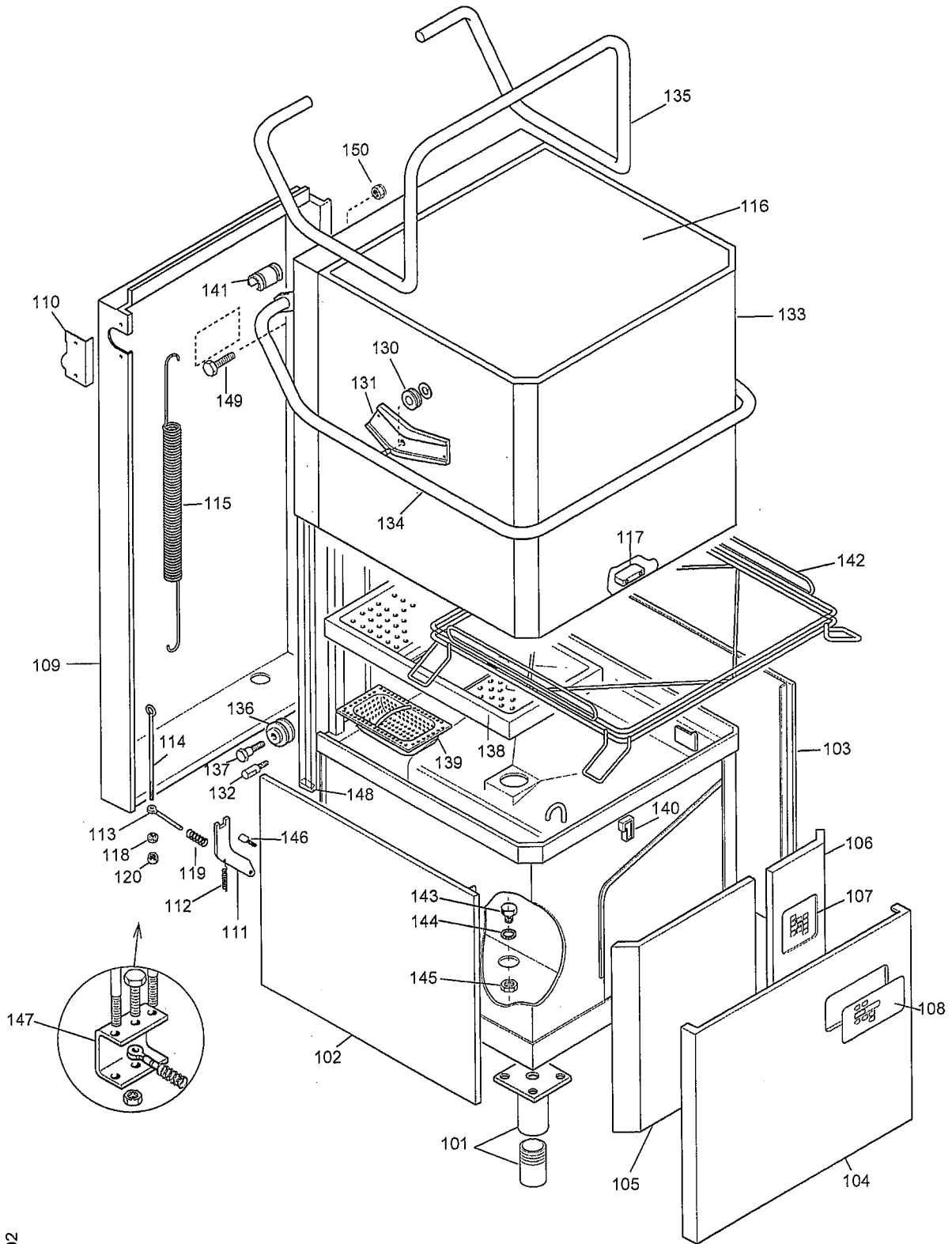
LS_10 - 12 \ Zanl 641002

Marchio / Brand: Z - Dek - Eco - A
Paese / Country: Tutti / All

Da Ser. Nr. / From ser. nr.: /944

Page: 1 Ed. 01-11

 Doc. Nr.: **6-41 002**



LS_10-12 \ Zan\ 641002

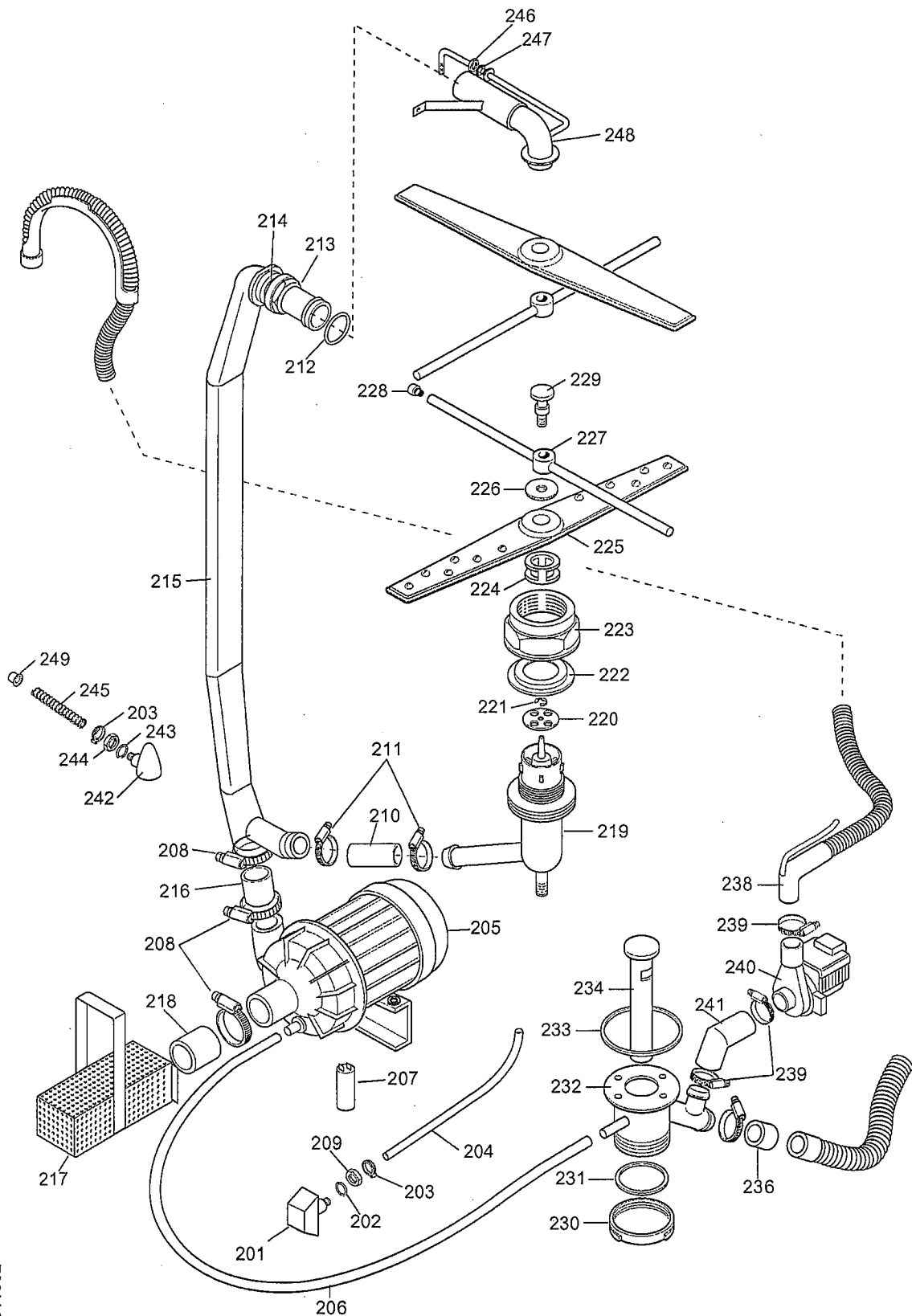
ill. 641002p1

Da Ser. Nr. / From ser. nr.: /944	Page: 2	Ed.01-02	Doc. Nr.: 6-41 002
--	---------	----------	---------------------------

Model: 504119 - LS10UK/3 - HOOD TYPE DISHWASHER 1000 D/H(230/400/3)

List of Spare Parts Table: 6-41002 Page 2 - Main view

Pos.	Spare Part	Alias Code	Repl. by	S	Inf	Description	Notes	GBP
0101	048579			S		FOOT		15.25
0102	049743					SIDE PANEL; LEFT	a,b,c,d,e,f,g,h,k,l,m,n,o, p,q,r,s,t,u,v,y,z,A,B,C,D, E,F,G	62.55
0103	049742					RIGHT SIDE PANEL	a,b,c,d,e,f,g,h,k,l,m,n,o, p,q,r,s,t,u,v,y,z,A,B,C,D, E,F,G	63.07
0105	049565					FRONT PANEL	a,b,c,d,e,f,g,h,k,l,m,n,o, p,q,r,s,t,u,v,G	56.91
0106	049564		049839			CONTROL PANEL	Up to Ser: 113 a,b,c,d,e,f,g,h,k,l,m,n,o, p,q,r,s,t,u,v,G	46.86
0106	049839					CONTROL PANEL	From Ser:114 a,b,c,d,e,f,g,h,k,l,m,n,o, p,q,r,s,t,u,v,G	125.54
0107	049605					MEMBRANE	a,b,c,d,e,f,g,h,k,l	15.69
0109	049570					BACK PANEL	b,k,l,s,u	148.94
0110	049735					CLOSURE; LH		12.39
0110	049736					CLOSURE; RH		11.88
0111	049578					LEVER		16.43
0112	049584			S		SPRING		2.86
0113	049587					PIN	a,b,c,d,f,g,h,k,l,n,o,p,q,r, s,t,u,w,x,z,A,C,D,F,G	13.05
0114	049583					SPRING STRETCHER		7.04
0115	049582			S		SPRING	Up to Ser: 137	19.80
0115	049582			S		SPRING	From Ser: 137 a,b,c,d,e,f,g,h,k,l,m,n,o, p,q,r,s,u,v,w,x,y,z,A,B,C D,E,F,G	19.80
0116	049576		049795			LID	a,b,c,d,e,f,g,h,k,l,m,n,o, p,q,r,s,t,u,v,A,B,C,D,E,F ,G	0.00
0117	049627			S		MAGNET		6.89
0118	049761			S		BUSH		3.30
0119	049585			S		SPRING		2.05
0120	0H2562			S		FLANGE NUT M6		0.51
0130	049598			S		ROLLER		1.69
0131	049597			S		RUNNER		6.09
0132	048635					PIN		7.19
0133	049635					MAISABLE HOOD	a,b,c,d,f,g,h,k,l,n,o,p,q,r, s,t,u,G	230.63
0134	049630				D	HANDLE	a,b,c,d,e,f,g,h,k,l,m,n,o, p,q,r,s,u,v,w,x,y,z,A,B,C D,E,F,G	517.72
0136	048657			S		SMALL WHEEL		0.66
0137	048656			S		PIN		7.41
0138	048251		049846			FILTER	Up to ser. 113	0.00
0138	049846					FILTER TABLE	From ser. 114	80.30
0139	048252					FILTER		38.79
0140	049621			S		REED SWITCH		12.91
0141	049594			S		SUPPORT		1.47
0142	049629					RUNNER FOR BASKET		80.74
0143	049502					PLUG; M20X1,5		14.08
0144	048245					GASKET		2.27
0145	049436					NUT; M20X1,5		4.55
0146	049586					PIN		2.05
0148	048710			S		DAMPER		5.13
0149	0L0100			S		SCREW; TE M12X1,75X80 AISI		2.13
0150	0L0101					NUT; M12X1,75		0.95



LS_10 -12 \ Zan\ 641002

ill. 641002p2

Da Ser. Nr. / From ser. nr.: /944

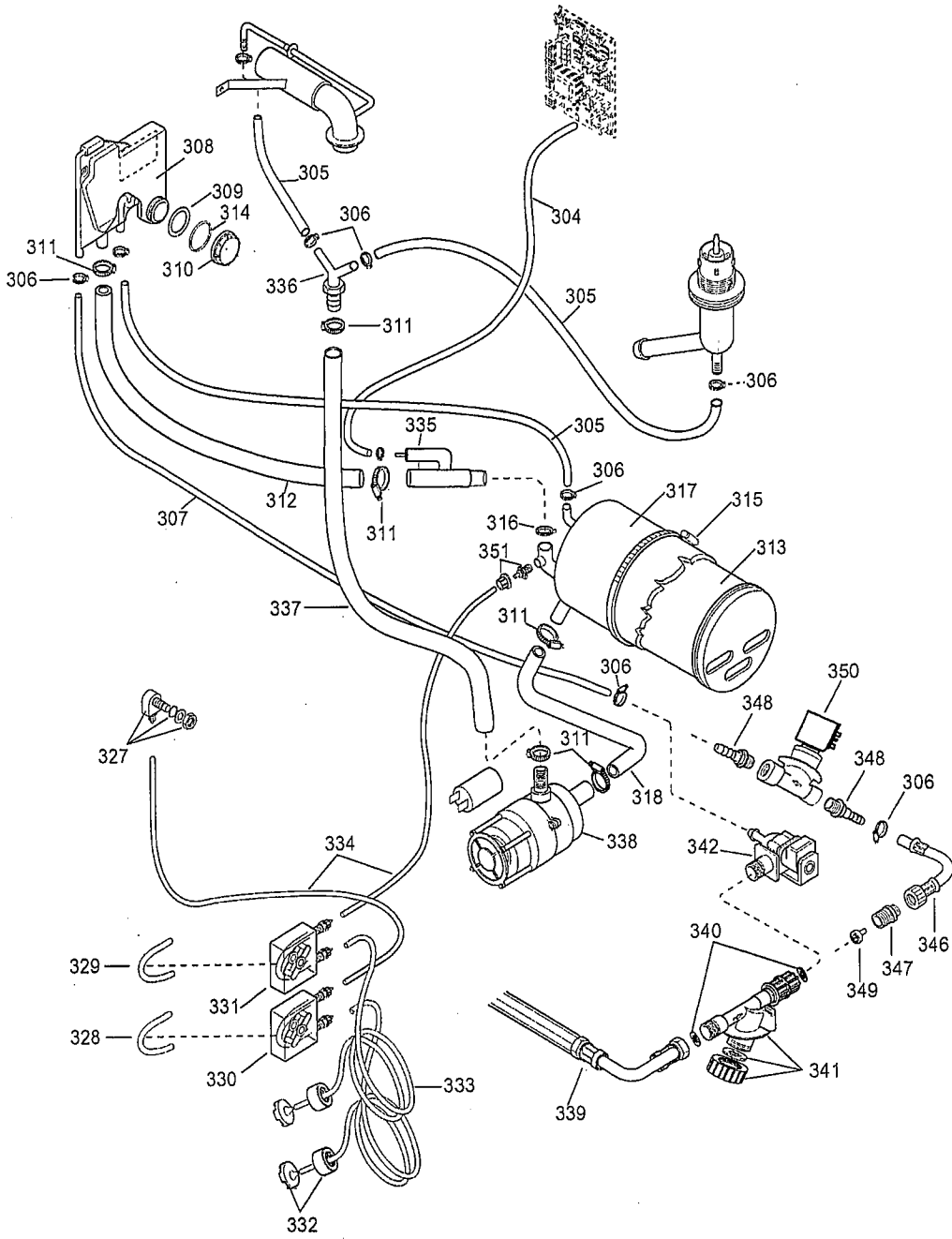
Page: 3 Ed.99-11

Doc. Nr.: **6-41 002**

Model: 504119 - LS10UK/3 - HOOD TYPE DISHWASHER 1000 D/H(230/400/3)

List of Spare Parts Table: 6-41002 Page 3 - Hydraulic components

Pos.	Spare Part	Alias Code	Repl. by	S	Inf	Description	Notes	GBP
0201	048308			S		AIR TRAP		5.79
0202	068642			S		O-RING		0.59
0203	046946			S		HOSE CLAMP		1.54
0204	048883			S		RUBBER HOSE; 5X12, 1PC=2300MM		10.93
0205	048216			S		WASH PUMP; 230-400V 3P 50HZ 2HP	a,b,d,e,f,g,h,i,l,m,n,o,q,r, s,t,u,vw,x,y,z,A,B,C,D,E ,F,G	341.29
0206	048531			S		RUBBER HOSE; BY METER		8.29
0208	046853			S		HOSE CLAMP		1.54
0209	049268			S		NUT; M14X1,5		0.88
0210	045768			S		HOSE; 1PC=300MM		11.29
0211	046855			S		HOSE CLAMP		1.32
0212	068799			S		GASKET		0.51
0213	049596			S		RING NUT		2.13
0214	049593			S		O-RING		1.32
0215	049595		0L0556		D	PIPE		0.00
0216	045456		0L0613		D	HOSE; 95 MM		0.00
0217	049633		049647			PROTECTION	Up to Ser: 139	0.00
0217	049810			S		FILTER FOR PUMP	From Ser: 140	23.47
0218	048242			S		COUPLING		8.07
0219	048235			S		SUPPORT F. LOWER JETS		36.37
0220	048931			S		SHUTTER		2.20
0221	048979			S		SNAP RING		0.51
0222	048236			S		GASKET		2.27
0223	048237			S		RING NUT		3.52
0224	048401			S		HUB FOR JETS; LS 7-8-10-12		34.17
0225	048247		0L0597		D	WASHING JET		0.00
0226	048632			S		LOCK WASHER		6.89
0227	048716			S		RINSE JET		64.75
0228	048714			S		PLUG; FOR WASH ARM		0.81
0229	048290			S		PIN; FOR RINSE JET		18.33
0230	048231			S		PLUG; FOR WASH ARM		3.45
0231	048230			S		GASKET		4.25
0232	049600			S		SUPPORT		9.09
0233	048229			S		GASKET		2.71
0234	048250			S		OWERFLOW PIPE	a,c,d,e,f,h,k,l,m,n,p,q,r,s ,t,v,w,x,y,z,A,B,D,E,G	7.85
0238	048845			S		DRAIN HOSE		29.41
0239	046878			S		HOSE CLAMP		1.17
0242	048853			S		AIR CHAMBER		1.98
0243	068642			S		O-RING		0.59
0244	049268			S		NUT; M14X1,5		0.88
0246	049436					NUT; M20X1,5		4.55
0247	046799			S		O-RING		0.51
0248	049634					SUPPORT		113.52
0249	049849					STOPPER	From Ser: 043 a,c,d,e,f,h,k,l,m,n,p,q,r,s ,t,v,w,x,y,z,A,B,D,E,G	0.51



LS_10-12 \ Zam\ 641002

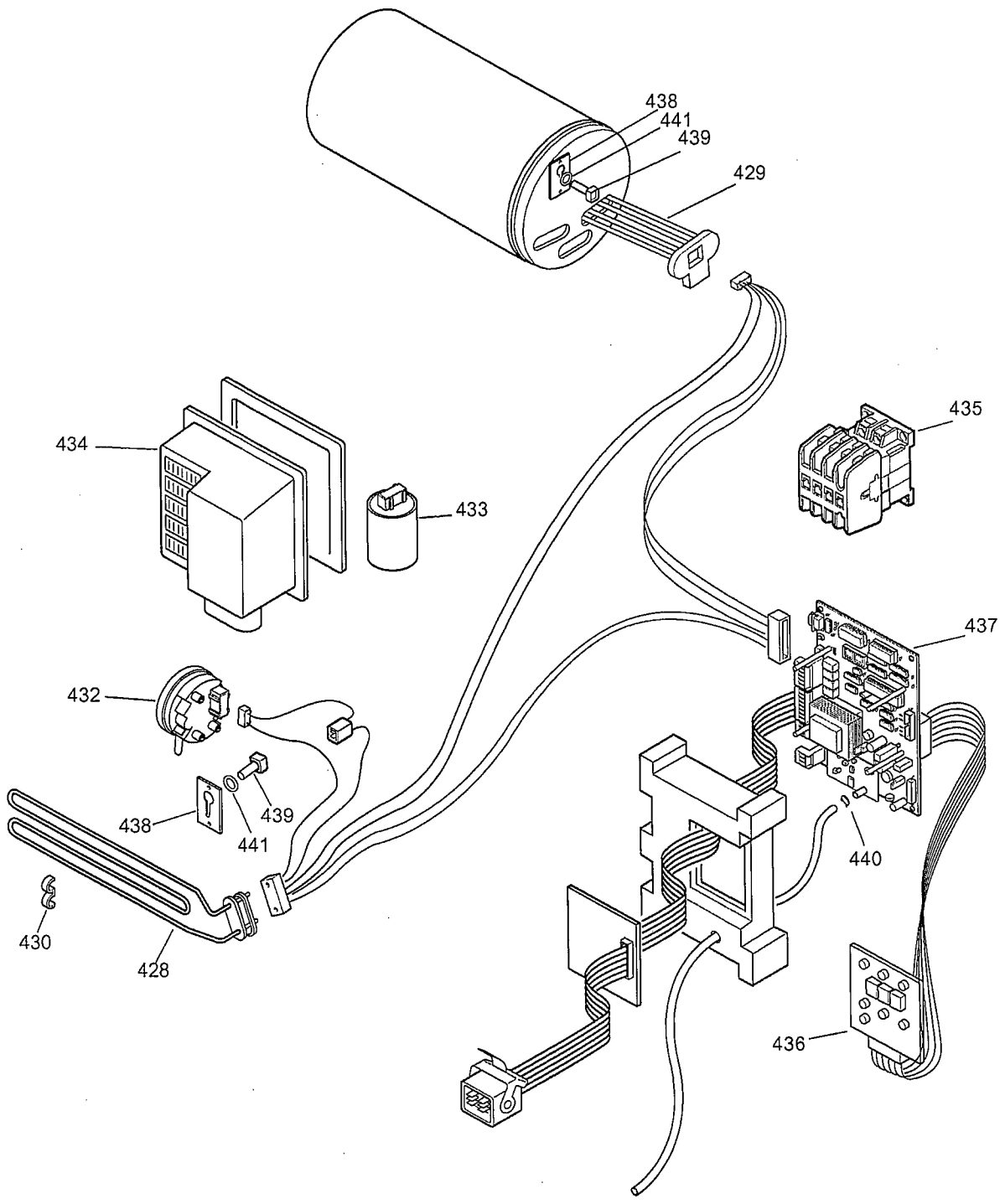
ill. 641002p3

Da Ser. Nr. / From ser. nr.: /944	Page: 4 Ed.01-08	Doc. Nr.: 6-41 002
--	------------------	---------------------------

Model: 504119 - LS10UK/3 - HOOD TYPE DISHWASHER 1000 D/H(230/400/3)

List of Spare Parts Table: 6-41002 Page 4 - Hydraulic circuit

Pos.	Spare Part	Alias Code	Repl. by	S	Inf	Description	Notes	GBP
0304	072393			S		HOSE; 1PC=5000MM		5.28
0305	048531			S		RUBBER HOSE; BY METER		8.29
0306	048126			S		CLIP; 13-20		0.81
0307	049379					HOSE; WRC, 1PC=1130MM	b,k,l,s,u	16.21
0308	049481			S		AIR GAP; WRC	b,k,l,s,u	15.11
0309	046595			S		GASKET	Up to Ser. 118	1.54
0309	049828					GASKET	From Ser. 119	0.51
0310	049480			S		RING NUT		1.03
0311	047578			S		HOSE CLAMP		1.17
0312	049287			S		HOSE; DIAM 25, 1PC=430MM		11.15
0313	049632			S		ATMOSPHERIC BOILER		167.56
0314	049460			S		O-RING		0.66
0315	048436			S		HOSE CLAMP 226-256		6.53
0316	049772			S		CLIP (KIT. 5PCS)	From Ser: 036...	0.51
0317	049415			S		INSULATION		16.87
0318	049599			S		PIPE		12.32
0327	049801			S		DETERGENT INJECTOR		20.97
0328	049419			S	CF	DETERGENT DISPENSER HOSE		12.76
0329	049418			S	CF	RINSE AID DISPENSER HOSE		12.03
0330	049624		0L0696		D	DETERG. PERIST. PUMP; 3L/H-0,1BAR	b,f,l,k,s,u,y,z	97.38
0331	049625		0L0697		D	RINSE AID PERIST. PUMP; 0,4L/H-3BAR		90.05
0332	049356			S		FILTER		8.73
0333	049359			S		SUCTION HOSE		12.32
0334	049360		049905		D	HOSE		0.00
0335	049628		0L0098			AIR TRAP		0.00
0336	049289		0L0365			CONNECTION 3 WAY; DIAM 27-12		0.00
0337	049773			S		HOSE; 1PC=1000MM		16.35
0338	049310				D	RINSE PUMP; 230V 1P 50HZ	a,b,d,e,f,g,h,k,l,m,n,o,q, r,s,t,u,v,w,y,x,z,A,B,C,D ,E,F,G	158.25
0339	049378					PIPE; WRC, STRAIGHT + 90 DEGR, 2100MM	b,k,l,s,u	47.37
0340	049201			S		GASKET; DIA 3/4"		1.03
0341	048746			S		WATER FILTER; 3/4" M-F		12.69
0342	049452			S		SOLENOID VALVE; ES90 230V, 5 STEP	b,k,l,s,u	12.91
0345	049628		0L0098			AIR TRAP		0.00
0351	049652			S		CONNECTION		3.08



LS_10 -12 \ Zan\ 641002

ill. 641002p4

Da Ser. Nr. / From ser. nr.: /944

Page: 5

Ed.01-11

Doc. Nr.: **6-41 002**

Model: 504119 - LS10UK/3 - HOOD TYPE DISHWASHER 1000 D/H(230/400/3)

List of Spare Parts Table: 6-41002 Page 5 - Electrical components

Pos.	Spare Part	Alias Code	Repl. by	S	Inf	Description	Notes	GBP
0428	048924			S		TANK HEATING ELEMENT; 2200W 230V		31.17
0429	049755			S		BOILER HEATING ELEMENT; 2000W 230V	a,b,c,e,g,h,k,l,w,D,E,F	33.00
0430	048429			S		BRACKET		1.98
0432	049620			S		PRESSURE SWITCH; LEV. 250/130		14.59
0433	049303			S		RADIO INTERFERENCE FILTER		12.54
0434	049618		0L0111			TERMINAL BOARD		0.00
0435	048825			D		CONTACTOR; K2-09A01-230		0.00
0436	049754		0L0548			USER INTERFACE BOARD	See T.B.0041	0.00
0437	049752		0L0705			PCB; MOTHER	See T.B.0041 a,c,d,e,f,g,h,m,n,o,p,q,r, t,v,w,y,x,z,A,B,C,D,E,F, G,b,k,l,s,u	0.00
0438	049580			S		SUPPORT		7.48
0439	049643			S		TEMPERATURE PROBE		7.33
0440	0E5993					CLIP		1.10
0441	046376		0L0555	D		O-RING		0.00