

TCR 1448 06.01-77b/06.01-78b

LAVASTOVIGLIE A CESTO QUADRO DA 540 p/h						RIF. Da matr.	
STATIONARY BASKET DISHWASHER 540 dishes/hr						REF. from serial	
						N <sup>o</sup>	
a	b	c	d	e	b	15 01 91	
501030	501031	501032	501039	501038	501045		
LS 521	LS 521/D	LS 521/F	LS 521 KING	LS 521 M	LS 521/D		

**Zanussi Grandi Impianti S.p.A.**  
Via Cesare Battisti, 12 - 31015 Conegliano (TV)  
Italy

© RIPRODUZIONE, ANCHE PARZIALE, VIETATA

Revised 01 - 91

**06 01-77b**

Model: 501045 - LS521 - DISHWASHER 540 DISHES/H

Table: 06-01-77b Page 1 - Cabinet

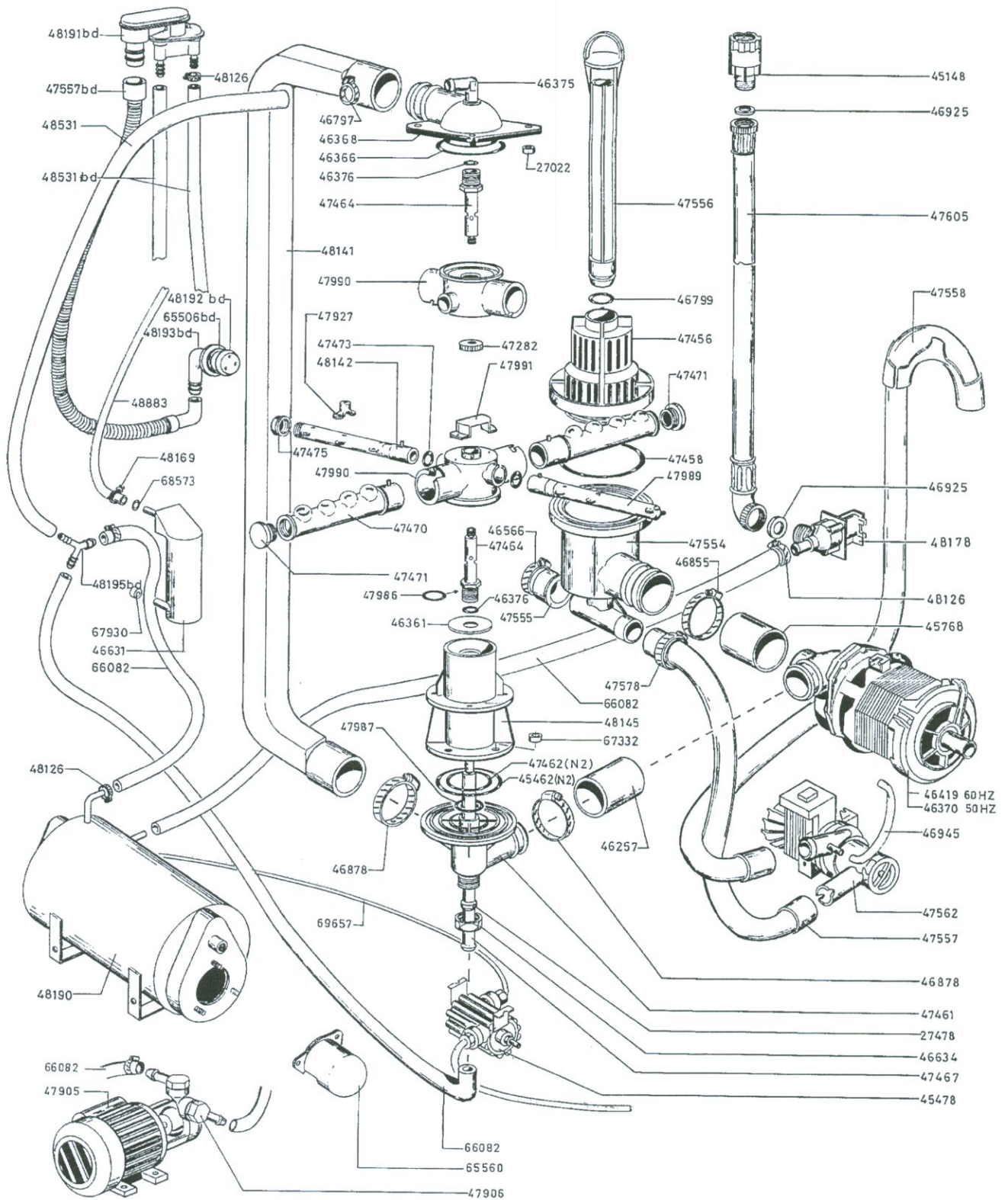
Pos.	Spare Part	Alias Code	Repl. by	S	Inf	Description	Notes	GBP B
0000	030186			S		GASKET		1.05
0000	046256					GASKET 2 MTR		6.85
0000	046349					GASKET		1.47
0000	046407			S		FOOT		0.70
0000	046583			S		GASKET; 1PZ=5MT		4.89
0000	046643				E	GASKET		3.77
0000	046861			S		O-RING		0.49
0000	046943					HOSE SCREW CONNECTION		47.74
0000	046944					FLANGE		25.44
0000	047450					RUNNER		17.12
0000	047451					Not on Price List		0.00
0000	047453			S		SPLASH GUARD		13.14
0000	047454			S		GASKET		10.62
0000	047455					GASKET		10.62
0000	047478					PIN		11.18
0000	047479			S		HANDLE	a,b,c,e	2.31
0000	047480					HANDLE HOUSING	a,b,c,e	12.86
0000	047481			S		HANDLE	a,b,c,e	13.49
0000	047483			S		LABYRINTH		27.75
0000	047484					BRACKET		19.78
0000	047485			S		DOOR MICROSWITCH		11.25
0000	047486					PROTECTION		2.31
0000	047487			S		BUSH		10.06
0000	047488			S		SPINDLE		4.68
0000	047489			S		SPRING		2.17
0000	047490					GASKET		1.05
0000	047491			S		LATCH		1.68
0000	047492			S		SPRING		3.15
0000	047493		0A6112			PIN		0.00
0000	047504					BRACKET		13.91
0000	047511			S		PIN		1.26
0000	047513		0E5559			GASKET		0.00
0000	047544				D	TANK FILTER	a,b,d,e	54.45
0000	047547			S		SMALL PLATE		7.90
0000	047548			S		FEEDING LINE F/RINS AID	a,b,c,e	1.68
0000	047549					WETTING AGENT CONTAINER		2.17
0000	047550			S		NUT		0.77
0000	047551					LID		1.75
0000	047552			S		WETTING AGENT SUCTION HOSE		2.73
0000	047553					TANK		172.64
0000	047563					SUPPORT		9.30
0000	047564				D	FRONT PANEL		59.62
0000	047598					NUT SCREW		0.49
0000	047845					INNER DOOR		0.00
0000	047849					SIDE PANEL	b,d	65.98
0000	047850					Not on Price List	b,d	0.00
0000	047863					LID		133.78
0000	048008					Not on Price List	b,d	0.00
0000	048010				D	COVERING	b,d	53.40
0000	048144					DISK KIT 10 PCS		1.61
0000	048161			S		HINGE		13.42
0000	048173					DOOR; LS510/520	a,b,c,e	260.43
0000	067930			S		RING		0.49
0000	068024		048144			RING		0.00
0000	069567			S		RING CONNECTION		0.56



Model: 501045 - LS521 - DISHWASHER 540 DISHES/H

Table: 06-01-78b Page 1 - Hydraulic circuit

Pos.	Spare Part	Alias Code	Repl. by	S	Inf	Description	Notes	GBP B
0000	027022			S		SET OF RINGS 10 PCS		1.61
0000	027478		050682			RING		0.00
0000	045148					STRAINER		14.40
0000	045462			S		RING		0.91
0000	045478		049484			DISPENSER		0.00
0000	045768			S		HOSE; 1PC=300MM		10.76
0000	046257			S		HOSE; L=430 MM		12.93
0000	046361					SHUTTER		3.15
0000	046366			S		O-RING		0.84
0000	046368				D	SUPPORT F. UPPER JETS		24.67
0000	046370			S		WASH PUMP; 50HZ 1P		212.34
0000	046375			S		ELBOW		6.78
0000	046376		0L0555			O-RING		0.00
0000	046419					WASH PUMP; 60HZ 1P		137.97
0000	046566		046878			HOSE CLAMP		0.00
0000	046631			S		AIR TRAP		5.94
0000	046634					NUT		14.40
0000	046797		048126			HOSE CLAMP		0.00
0000	046799			S		O-RING		0.49
0000	046855			S		HOSE CLAMP		1.26
0000	046878			S		HOSE CLAMP		1.12
0000	046925			S		GASKET; DIA 3/4"		0.63
0000	046945					HOSE		3.56
0000	047282			S		WASHER		5.66
0000	047456			S		STRAINER		8.74
0000	047458			S		O-RING		1.89
0000	047461			S		WATER DISTRIBUTOR		11.67
0000	047462			S		O-RING		1.12
0000	047464					PIN		63.12
0000	047467					HOSE		11.32
0000	047470			S		WASHING JET		11.60
0000	047471		049296			PLUG; FOR WASH ARM		0.00
0000	047473			S		O-RING		0.63
0000	047475			S		PLUG		1.68
0000	047554					MANIFOLD		11.32
0000	047555					PLUG		3.15
0000	047556					OVERFLOW TUBE		10.76
0000	047557				D	SUCTION HOSE		6.22
0000	047557				D	SUCTION HOSE	b,d	6.22
0000	047558			S		DRAIN PIPE		15.03
0000	047562			S		DRAIN PUMP; 230V 50HZ		46.69
0000	047578			S		HOSE CLAMP		1.12
0000	047605			S		FEEDER HOSE; 3/4"F, L=150 CM		6.15
0000	047905		048437			RINSE PUMP		0.00
0000	047906					PIPE FITTING		62.00
0000	047927					RINSING NOZZLE		0.00
0000	047986			S		GASKET		0.56
0000	047987			S		GASKET		0.49
0000	047989		049297			RINSING ARM		0.00
0000	047990			S		HUB FOR JETS; LS5		15.45
0000	047991				D	PROTECTION		4.61
0000	048126			S		CLIP; 13-20		0.77
0000	048141					HOSE		23.83
0000	048142					RINSING ARM		5.66
0000	048145			S		SUPPORT		12.37
0000	048169					HOSE CLAMP		0.00
0000	048178			S		SOLENOID VALVE; ES90 230V 50/60HZ		8.60
0000	048190					BOILER; 1 ELEMENT		411.55
0000	048191			S		NONRETURN VALVE; DVGW	b,d	14.40
0000	048192			S		FLANGE	b,d	2.80
0000	048193			S		PIPE UNION	b,d	2.10
0000	048195			S		CONNECTION	b,d	6.29
0000	048531			S		RUBBER HOSE; BY METER		7.90
0000	048531			S		RUBBER HOSE; BY METER	b,d	7.90
0000	048883			S		RUBBER HOSE; 5X12, 1PC=2300MM		10.41
0000	065506			S		GASKET	b,d	0.56
0000	065560			S		CAP COVER		1.12

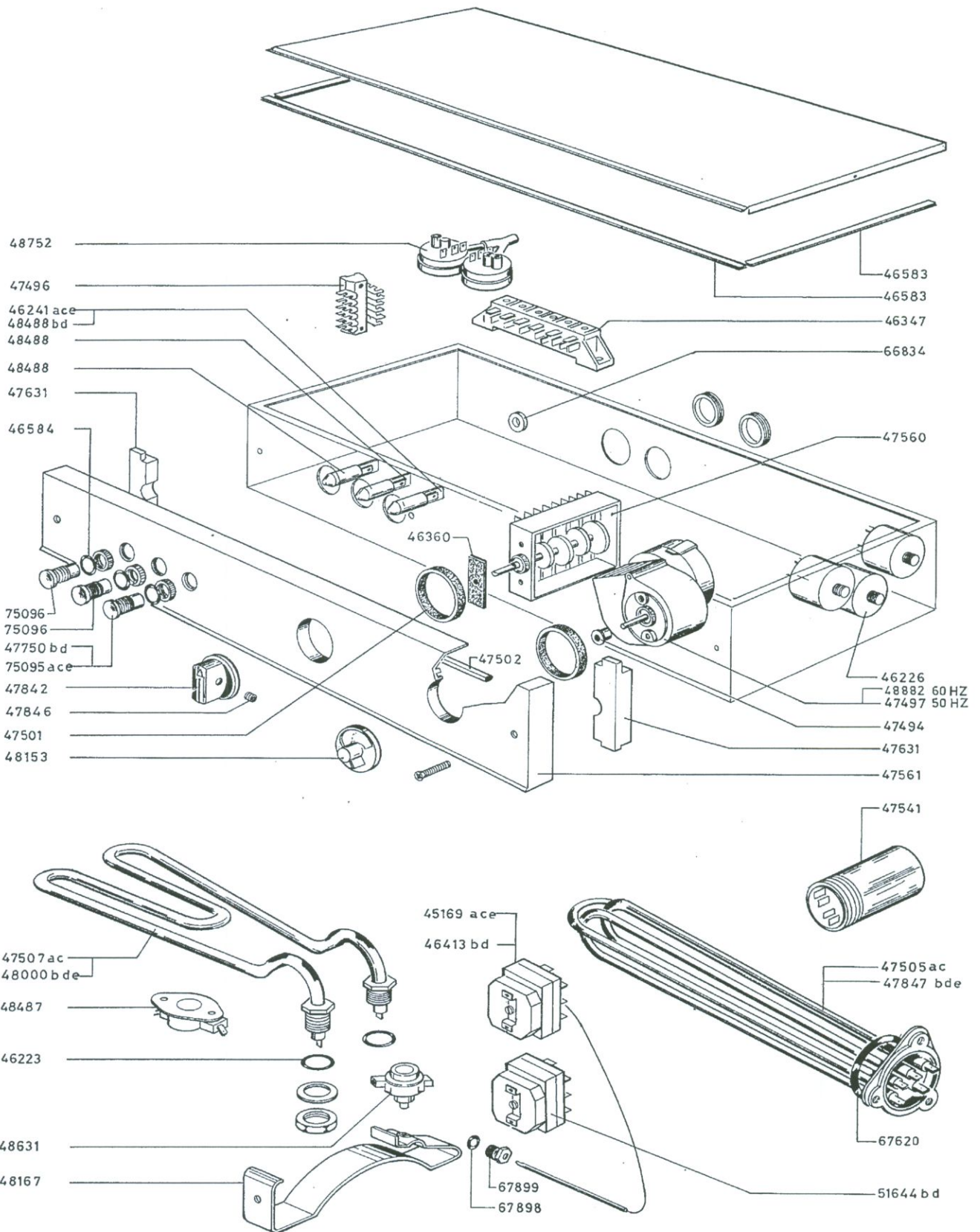


LAVASTOVIGLIE A CESTO QUADRO DA 540 p/h STATIONARY BASKET DISHWASHER 540 dishes / hr						RIF. REF.	Da matr. from serial N°
a	b	c	d	e	b		15 01 91
501030 LS 521	501031 LS 521/D	501032 LS 521/F	501039 LS 521 KING	501 038 LS 521 M	501045		
							06 01 - 78 b

Model: 501045 - LS521 - DISHWASHER 540 DISHES/H

Table: 06-01-78b Page 1 - Hydraulic circuit

Pos.	Spare Part	Alias Code	Repl. by	S	Inf	Description	Notes	GBP B
0000	066082		048531			PIPE		0.00
0000	067332		027022			RING		0.00
0000	067930			S		RING		0.49
0000	068573			S		SEALING RING		0.56
0000	069657			S		PIPE FOR DISPENSER		27.33



TCR 1449 06 01:79b / 06 01-90c

LAVASTOVIGLIE A CESTO QUADRO DA 540 p/h STATIONARY BASKET DISHWASHER 540 dishes / hr						RIF. REF.	Da matr. from serial N°
a	b	c	d	e	b		15 01 91
501030 LS 521	501031 LS 521/D	501032 LS 521/F	501039 LS 521 KING	501 038 LS 521 M	501045		

**Zanussi Grandi Impianti S.p.A.**  
Via Cesare Battisti, 12 - 31015 Conegliano (TV)  
Italy

© RIPRODUZIONE, ANCHE PARZIALE, VIETATA

Revised 01 - 91

**06 01-79 b**

Model: 501045 - LS521 - DISHWASHER 540 DISHES/H

Table: 06-01-79b Page 1 - Electric system

Pos.	Spare Part	Alias Code	Repl. by	S	Inf	Description	Notes	GBP B
0000	046223			S		GASKET		0.49
0000	046226			S		RADIO INTERFERENCE FILTER		6.57
0000	046347			S		TERMINAL BOARD		9.23
0000	046360			S		GASKET		0.56
0000	046413					THERMOSTAT; 30-90 C	b,d	75.14
0000	046583			S		GASKET; 1PZ=5MT		4.89
0000	046584			S		GASKET		0.70
0000	047494					GASKET		0.98
0000	047496					TERMINAL BOARD		7.76
0000	047497		048881			TIMER		0.00
0000	047501					GASKET		4.33
0000	047502					GASKET 2MTR		12.09
0000	047541			S		CAPACITOR; 12,5MF		15.45
0000	047560					SELECTOR		0.00
0000	047561		047633			CONTROL PANEL		0.00
0000	047631					GASKET		12.23
0000	047750			S		CAP	b,d	1.68
0000	047842			S		KNOB		9.09
0000	047846			S		SCREW		0.56
0000	047847			S		BOILER HEATING ELEMENT; 230V 4500W	b,d,e	42.08
0000	048000			S		TANK HEATING ELEMENT; 2200W 220V	b,d,e	41.94
0000	048153			S		KNOB		5.73
0000	048167					BRACKET		21.67
0000	048487			S		TANK THERMOSTAT; 60 C		10.69
0000	048488			S		PILOT LAMP; 250V		3.01
0000	048488			S		PILOT LAMP; 250V	b,d	3.01
0000	048631			S		SAFETY THERMOSTAT		5.17
0000	048752			S		PRESSURE SWITCH		17.54
0000	048882					TIMER		60.81
0000	051644					SAFETY THERMOSTAT; 140 C	b,d	51.65
0000	066834					BUFFER		0.56
0000	067620			S		O-RING F. ELEMENT		0.63
0000	067898			S		O-RING		0.56
0000	067899			S		STUFFING BOX		2.59
0000	075096			S		LAMP CAP, GREEN		1.68