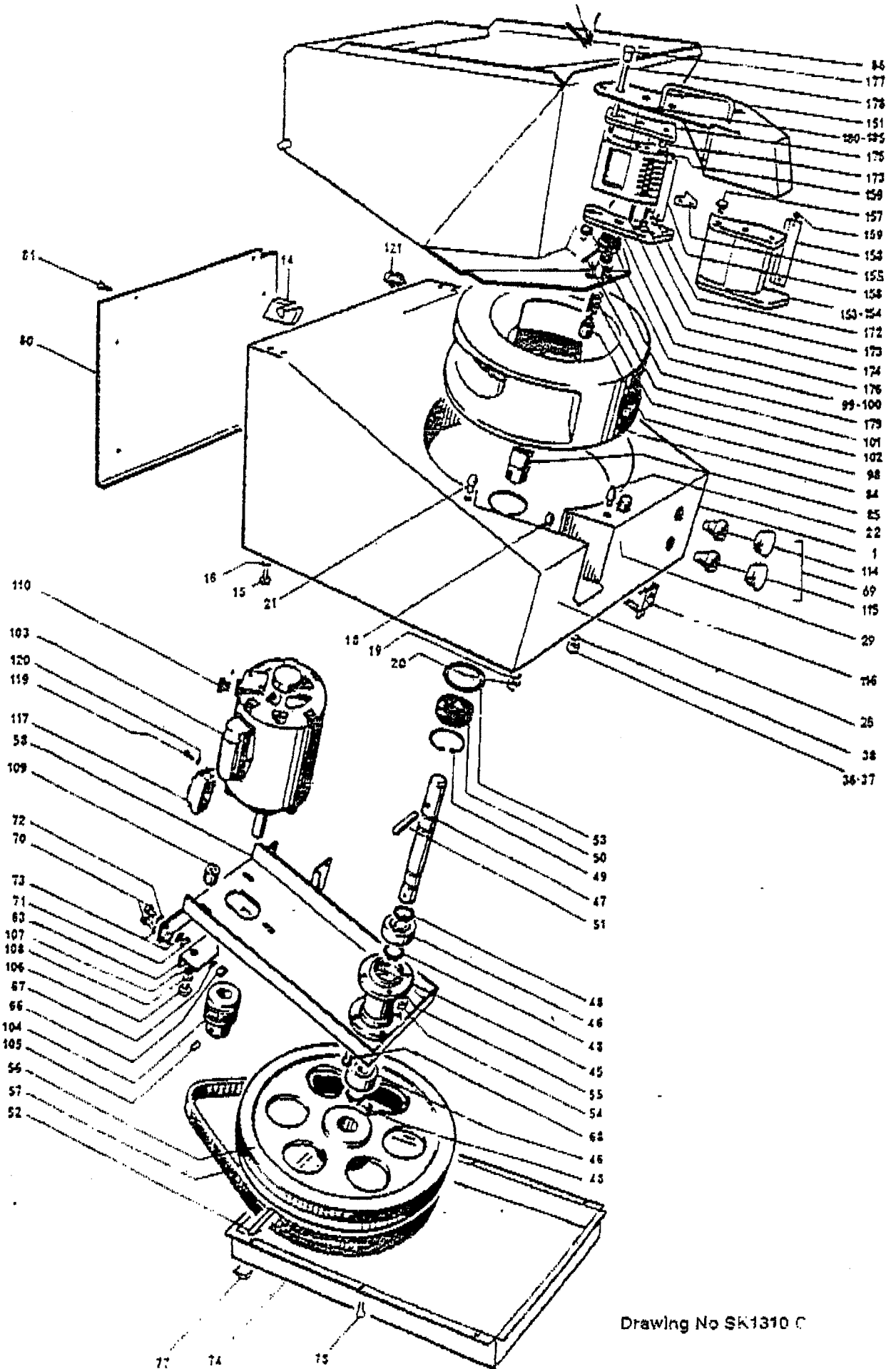


PC.1

8 file

CHIPPER POI



Drawing No SK1310 C

**PARTS LIST CHIPPER MACHINE MODEL PC1 - SERIES 35**  
 To be read in conjunction with Drawing No SK1310C

Illus	Part No	Description	No	Illus	Part No	Description	No
1	E32/067	Casing Fabrication	1	120	D25/014	Washer	2
14	A13/024	Trunnion	2	121	G306	Cable Strain Relief	1
15	D19/120	Screw	4	151	E32/070	Knife Block Carrier	1
16	D25/033	Washer	4			Moulded Knife Block	
18	L34/005	Bottom Spigot	2	153	M78	9mm	
19	D25/005	Washer	3	154	M77	12mm	
20	D20/013	Nut - M6 Hex Full	3	155	L34/066	Chip Blade - Slitting	
21	L34/039	Rear Dowel	1		L34/066	6mm	13
22	L34/039	Front Dowel	1		L34/066	10mm	7
25	S61/009	Switch Housing Assembly (KB)	1		L34/066	12mm	6
29	S61/016	Switch Housing Assy (Hopper)	2		L34/066	14mm	5
36	D25/006	Washer	4		L34/066	17 x 14mm	4
37	D20/038	Nut - M5	2	157	L34/086	Carrier Screw	2
38	D25/004	Washer	2	158	L34/074	Blade - Sliding	1
39	S61/010	Centre Bearing Assembly	1	159	D22/025	Screw	1
45	G25/007	Bearing House	1	172	L34/070	Stud	2
46	A01/032	Bearing	2	173	D20/013	Nut	1
47	L34/012	Shaft	1	174	L34/071	Pin	1
48	D27/005	Circlip - external	4	175	M46 X	Upper Plate	1
49	D27/016	Circlip - internal	1	176	M46A	Lower Plate	1
50	A02/037A	Oil Seal	1	177	L34/103	Location Bush	2
51	D28/019	Drive Pin for Rotor	1	178	L34/068	Stud	2
52	D26/013	Tension Pin for Pulley	1	179	L34/102	Nut	2
53	A02/041	O' Ring	1			Chip Block	
54	D20/013	Nut - M6 Hex Full	4	180	L34/058	6mm	
55	D25/005	Washer - M6 Shakeproof	4	182	L34/078	10mm	
56	L34/099	Pulley - Driven	1	183	L34/060	12mm	
57	A05/033	Timing Belt	1	184	L34/061	14mm	
58	E32/062	Motor Plate Fabrication	1		L61/001	17 x 14mm	
68	D22/029	Screw	1			Scalloped Block Assembly	
69	G30/366	Sealing Caps for items 114/5	2	185	M41	6mm	
70	D19/039	Screw	4	158	L34/074	Blade - Sliding	1
71	D20/013	Nut - M6 Hex Full	2	159	D22/025	Screw	2
72	D08/024	Washer - Special	2	172	L34/070	Stud	2
73	D25/005	Washer - M6 Shakeproof	4	175	M46 X	Upper Plate	1
74	E32/076	Plinth	1	176	M46A	Lower Plate	1
77	A10/480	Foot	4	177	L34/103	Bush	2
78	D21/043	Screw	6	179	L34/102	Nut - Special	2
80	E32/075	Back Panel	1			Knife Block Assembly	
	A11/238	Gasket	1			complete with	
81	D21/043	Screw	6			Knife Block Carrier	
84	C25/004	Rotor	1	S61/030		5mm	
85	L34/082	Bush	1	S61/090		9mm (moulded)	
86	E32/069	Hopper Fabrication	1	S61/050		10mm	
98	M81A	Interlock Body Assembly	1	S61/060		12mm	
99	M69	Interlock Knob	1	S61/100		12mm (moulded)	
100	M48	Interlock Knob Cap	1	S61/070		14mm	
101	D25/017	Tension Pin	1	S61/072		17 x 14mm	
102	A12/011	Spring	1	S61/080		6mm Scalloped Block	
103	G40/083	Motor - 1/3 HP W/Thermstrip	1			Assembly	
		220-240-1-50	1			complete with Carrier	
104	L34/067	Pulley - Driver	1				
105	D22/041	Setcrew M6	2				
106	D19/115	Screw	3				
107	D25/028	Washer	3				
108	D25/005	Washer	3				
109	L02/013	Packing Pieces	3				
110	A10/246	Bush - Cable	1				
114	G30/165	Push Button - Green	1				
115	G30/367	Push Button - Red - Projecting	1				
116	G30/104	Contact Block	1				
117	G55/012	Component PCB	1				
119	D21/040	Screw	2				

**NB Before ordering please read the note on Page 5**