



Ice Machine Parts List for Series Q450 Models

QR0450A

QD0492N

QR0451W

QY0454A

QR0490N

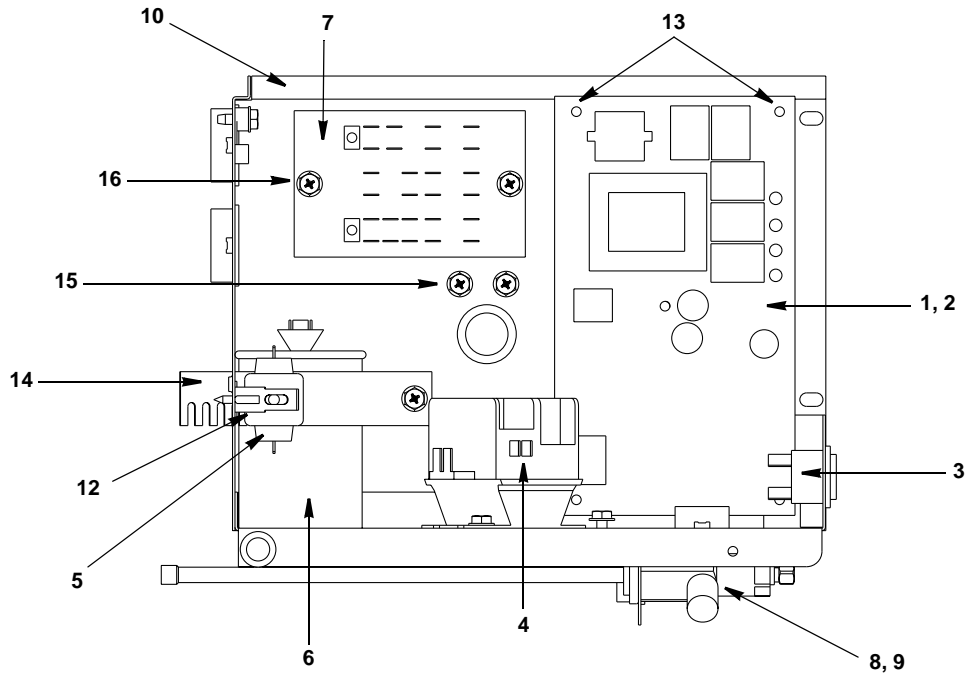
QY0455W

QD0452A

QY0494N

QD0453W

Q450 CONTROL BOX



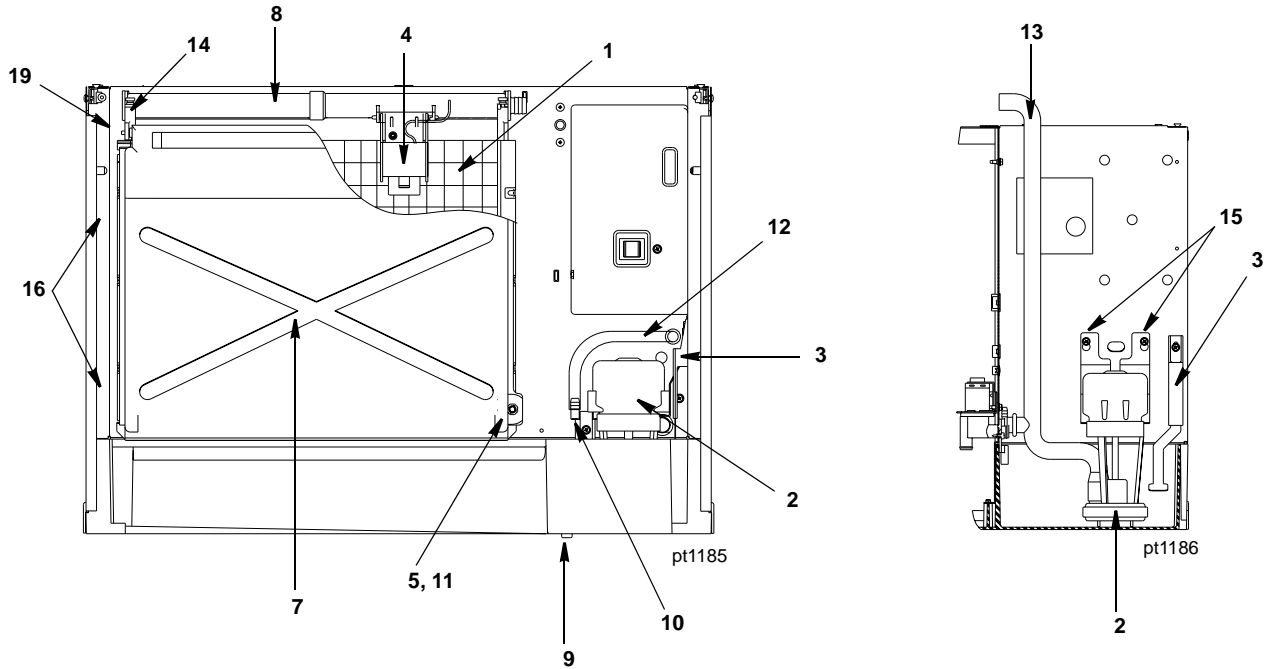
pt1176

DESCRIPTION

	PART NO.
1 Control Board (for use with all voltages)	† 76-2782-3
2 7 Amp Fuse – Mounted on Control Board	25-1100-3
3 Toggle Switch Only	23-0134-3
a. Toggle Switch with Wiring Harness Attached	20-3217-3
4 Contactor	
a. 115V/60 Hz/1 Ph	† 20-0658-9
b. 208-230V/60 Hz/1 Ph or 230V/50 Hz/1 Ph	† 20-0659-9
5 P.T.C.R. Compressor Starter.	85-0500-3
6 Compressor Run Capacitor	
a. 115V/60 Hz/1 Ph	20-1014-3
b. 208-230V/60 Hz/1 Ph or 230V/50 Hz/1 Ph	85-0400-3
7 Terminal Board with Wire Harness Attached	
a. 115V/60 Hz/1 Ph	20-3228-3
b. 230V/60 Hz/1 Ph	20-3229-3
c. 50 Hz/1 Ph.	20-3230-3
8 Refrigeration Service Valve Assembly	83-7324-3
Miscellaneous – Brackets, Screws, etc.	
9 Locknut Used to Mount Refrigeration Service Valves.	† 54-7503-9
10 Control Box.	602559-1
11 Control Box Cover (Not shown)	† 76-2852-3
12 P.T.C.R. Compressor Starter Mounting Bracket	85-0502-3
13 Control Board Mounting Supports	43-0225-3
14 Capacitor Mounting Strap	602495-1
15 Screw, #10-24 x .50 Ground.	† 52-0216-9
16 Screw, #10-24 x .50	† 52-0206-9

† Refer to Cross Reference Guide

Q450 EVAPORATOR COMPARTMENT



DESCRIPTION

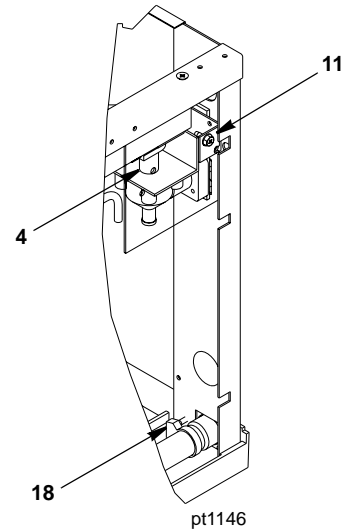
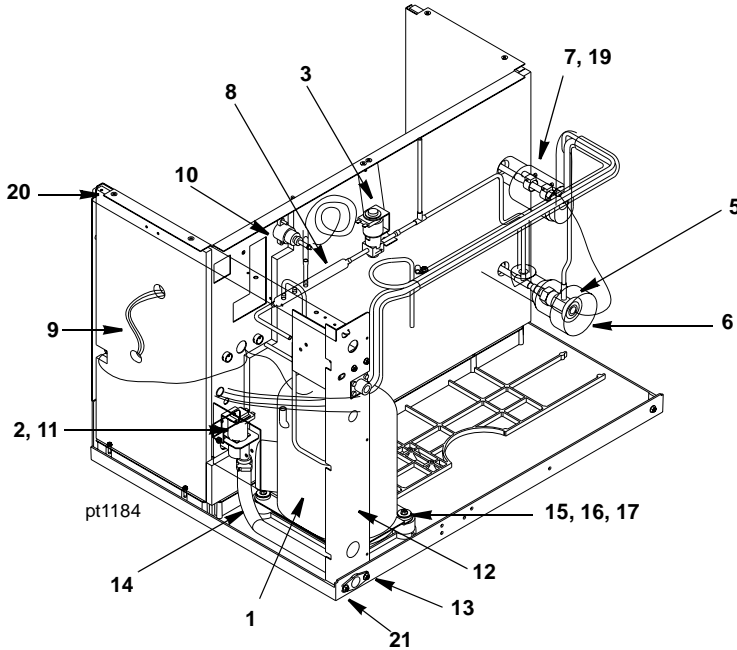
	DESCRIPTION	PART NO.
1	Evaporator Assembly	
a.	Regular Cube	† 76-2512-9
b.	Dice Cube	† 76-2511-9
c.	Half Dice Cube	† 76-2510-9
2	Water Pump	
a.	115V/60 Hz	† 76-2306-3
b.	208-230V/60 Hz or 230V/50 Hz	† 76-2601-3
3	Water Level Probe	25-1129-3
4	Ice Thickness Control Probe	† 76-2781-3
5	Magnetic Bin Switch (Mounted to Evaporator)	† 23-0148-3
6	Water Flow Clamp – Use on Regular Cube Evap. Only (Not shown)	76-2054-3
7	Water Curtain	† 43-0464-3
8	Water Distribution Tube	† 76-2498-3
9	Water Trough Drain Plug	† 43-0062-9
10	Water Inlet Flow Tube	43-0388-3

Miscellaneous – Brackets, Screws, etc.

11	Water Curtain Magnet with Attachment Clip	† 76-2802-3
12	Water Inlet Tubing .375 ID	44-2111-3
13	Tubing (Water Pump Out)	44-2109-3
14	Screw, #8-32 x .63 Nylon Water Distribution Tube Mounting	† 50-0001-3
15	Screw, #10-24 x .50	† 52-0206-9
16	Screw, #10-24 x .750 Used to Mount Evaporator	† 52-0218-9
17	Base and Water Trough Repair Kit	† 76-2806-3
18	Evaporator Top Molding and Gasket Assembly	76-2621-3
19	Water Curtain Pin Assembly	76-2776-3

† Refer to Cross Reference Guide

Q450 REFRIGERATION COMPARTMENT – COMMON PARTS

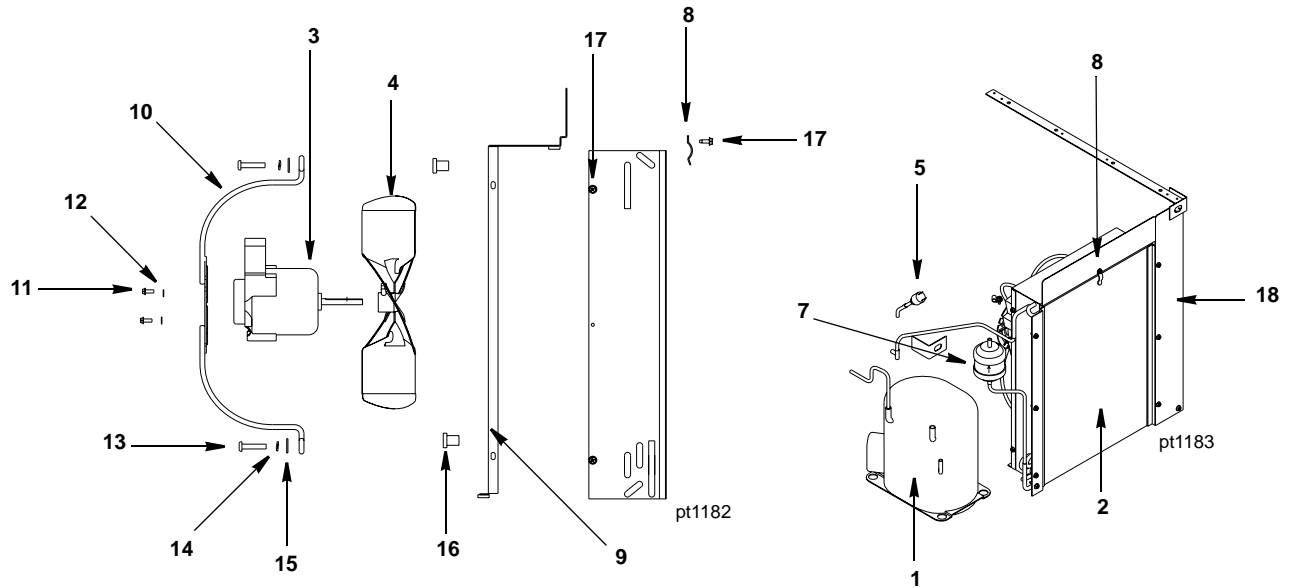


DESCRIPTION

		PART NO.
1	Compressor	
	a. 115V/60 Hz/1 Ph.	† 76-2810-3
	b. Overload	85-0555-3
	c. 208/230V/60 Hz/1 Ph	† 76-2812-3
	d. Overload	85-0556-3
	e. 230V/50 Hz/1 Ph	† 76-2811-3
	f. Overload	85-0557-3
2	Water Dump Valve	
	a. Dump Valve, 115V	000001767
	b. Dump Valve, 208/230V 50/60 Hz	000001768
	c. Dump Valve Rebuild Kit	No Longer Available
3	Hot Gas Valve	
	a. Hot Gas Valve Including 115V 60 Hz Electrical Coil (Danfoss)	† 76-3001-1
	b. Hot Gas Valve 115V Coil Only Danfoss	20-0176-3
	c. Hot Gas Valve 115V Coil Only Alco	24-0436-3
	d. Hot Gas Valve Including 208/230V 50/60 Hz Electrical Coil (Danfoss)	† 76-3007-1
	e. Hot Gas Valve 208/230V 50/60 Hz Coil Only Danfoss	20-0177-3
	f. Hot Gas Valve 208/230V 50/60 Hz Coil Only Alco	† 24-0448-3
4	Water Inlet Valve	
	a. Water Inlet Valve Including 115V Coil	76-0112-3
	b. Water Inlet Valve Including 208/230V 50/60 Hz Coil	76-0113-3
5	Expansion Valve	† 76-0019-3
6	Expansion Valve Body Insulation Boot	
	a. Alco	40-0721-3
	b. Danfoss	40-0036-3
7	Expansion Valve Bulb Insulation Boot	40-0720-3
8	Manifold Strainer (in front of hot gas valve)	83-1016-3
9	Water Pump Electrical Wire Lead	† 20-7810-3
10	High Pressure Cut-out (Manual Reset)	† 23-5536-9
10	High Pressure Cut-out (Auto Reset)	† 20-0124-3
	Miscellaneous – Brackets, Screws, etc.	
11	Dump Valve/Water Inlet Valve Mounting Bracket	602354-1
12	Right Corner Post Weldment	601950-1
13	Water Drain Female Wing Adapter	87-0608-3
14	Water Drain Vinyl Tubing, .625 ID	† 44-2038-3
15	Compressor Mounting Rubber Grommet	† 85-0306-9
16	Compressor Mounting Washer	† 55-7341-9
17	Compressor Mounting Screw	† 50-1230-9
18	Clamp, Water Drain	† 56-5070-9
19	Clamp, Expansion Valve Bulb	† 56-5052-9
20	Screw, #10-24 x .50	† 52-0209-9
21	Screw, #10-24 x .75	† 52-0218-9
22	Mounting Bracket	602354-1
23	Terminal Block (50 Hz Only)	20-0614-3

† Refer to Cross Reference Guide

Q450 REFRIGERATION COMPARTMENT – AIR-COOLED



DESCRIPTION

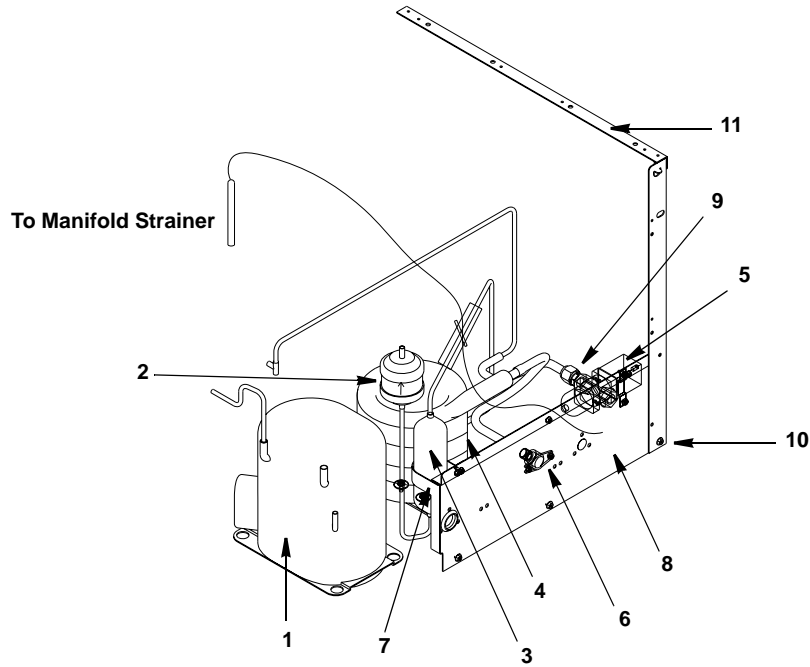
		PART NO.
1	Compressor (Refer to COMMON PARTS Page)	Page 4
2	Air Condenser	88-5124-3
3	Fan Motor	
	a. 115V	† 24-1292-9
	b. 208-230V/60 Hz or 230V/50 Hz	† 24-1293-9
4	Fan Blade	24-1620-3
5	Fan Cycling Control	† 20-0126-3
6	Air Filter (Not shown)	40-4016-3
7	Drier	† 89-3025-9

Miscellaneous – Brackets, Screws, etc.

8	Air Filter Clip	† 56-5069-9
9	Fan Shroud	601879-1
10	Fan Motor Mounting Bracket	34-0662-3
11	Fan Motor Mounting Screw	† 50-2559-9
12	Fan Motor Mounting Flatwasher	† 55-0426-9
13	Fan Bracket Mounting Screw	† 50-3358-9
14	Fan Bracket Mounting Lockwasher	† 55-4510-9
15	Fan Bracket Mounting Flatwasher	† 55-7305-9
16	Fan Bracket Mounting Rubber Wellnut	† 54-2955-9
17	Screw, #10-24 x .50	† 52-0206-9
18	Left Corner Post Weldment	602168-1

† Refer to Cross Reference Guide

Q450 REFRIGERATION COMPARTMENT – WATER-COOLED



pt1181

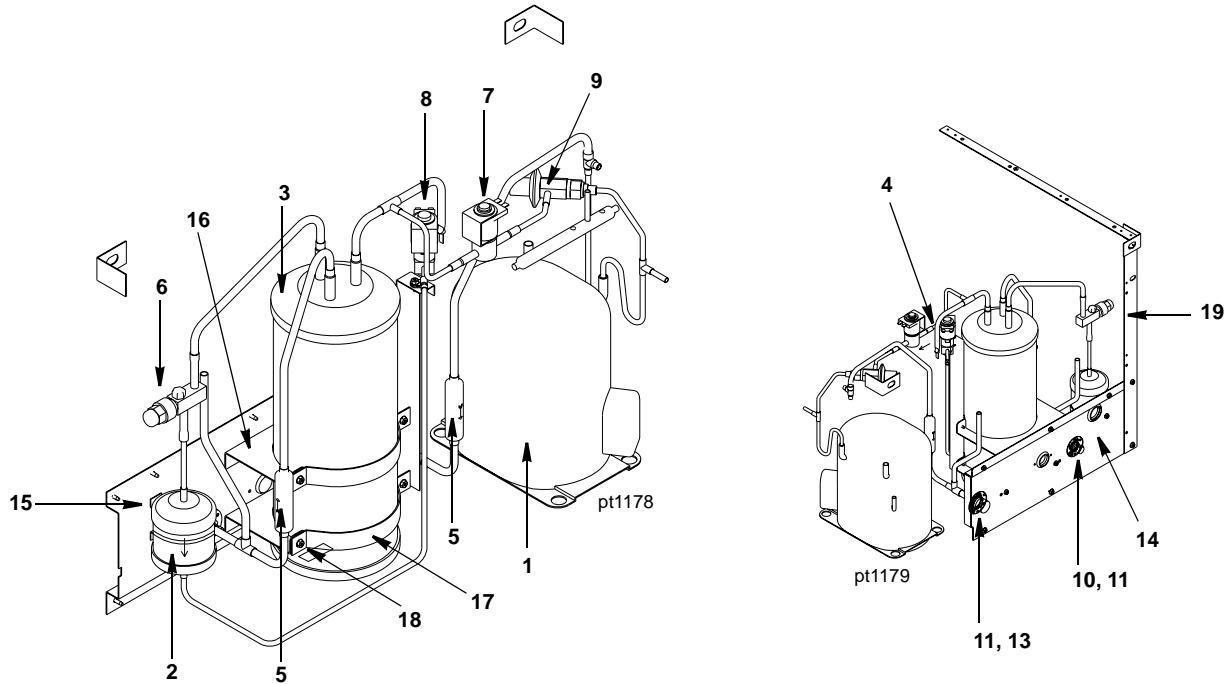
DESCRIPTION

DESCRIPTION	PART NO.
1 Compressor (Refer to COMMON PARTS Page)	Page 4
2 Drier	† 89-3025-9
3 Receiver	12-0003-1
4 Water-cooled Condenser	88-6532-7
5 Water Regulating Valve	† 83-7206-9
6 Water Drain Female Wing Adapter	87-0608-3

Miscellaneous – Brackets, Screws, etc.

7 Receiver Strap	600054-1
8 Back Panel	601906-1
9 Water Coupling	83-3203-3
10 Screw, #10-24 x .50	† 52-0206-9
11 Left Corner Post Weldment	601951-1

Q450 REFRIGERATION COMPARTMENT – REMOTE



DESCRIPTION

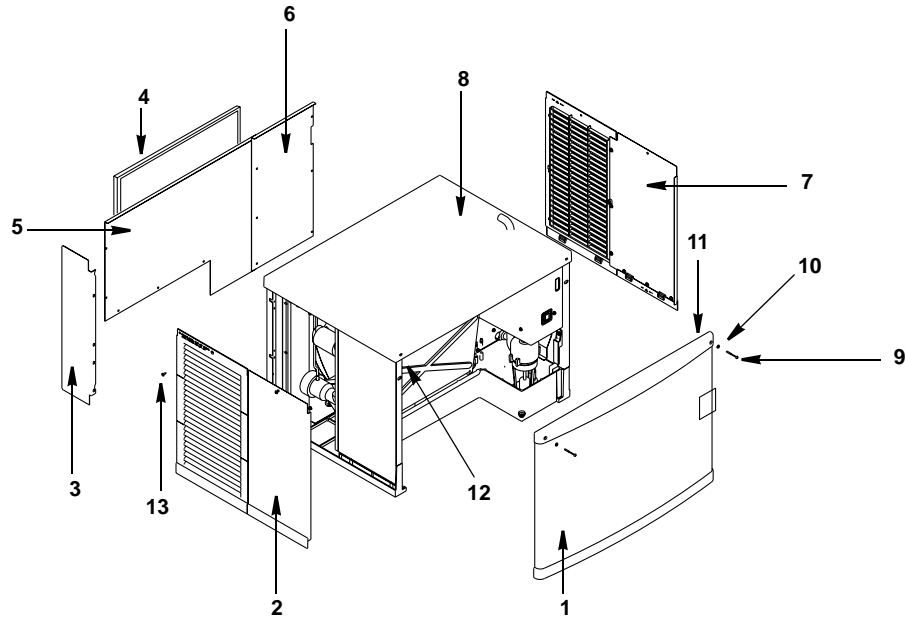
DESCRIPTION	PART NO.
1 Compressor (Refer to COMMON Parts)	Page 4
2 Drier	† 89-3027-9
3 Receiver	† 76-2957-3
4 Safety Soft Plug	† 628451-9
5 Magni-Check Valve	† 83-7314-9
6 Refrigeration Service Valve	† 83-7316-9
a. Cap for Refrigeration Service Valve	56-5075-3
7 Harvest Pressure Regulating Solenoid (HPR) Valve	
a. HPR Valve Including 115V 60 Hz Electrical Coil (Danfoss)	† 76-3000-1
b. HPR Valve 115V Coil Only Danfoss	20-0176-3
c. HPR Valve 115V Coil Only Alco	24-0436-3
8 Liquid Line Solenoid (LLS) Valve	
a. LLS Valve Including 115V 60 Hz Electrical Coil (Danfoss)	† 76-3002-1
b. LLS Valve 115V Coil Only Danfoss	20-0176-3
c. LLS Valve 115V Coil Only Alco	24-0436-3
9 Harvest Pressure Regulating Valve (HPR)	† 83-6779-3
10 Coupling – Male, 5/8-18	† 83-6034-3
11 Coupling – Male, 1-1/16-12	† 83-6035-3

Miscellaneous – Brackets, Screws, etc.

12 Coupling Mounting Flange (for 5/8-18)	83-6005-3
13 Coupling Mounting Flange (for 1-1/16-12)	83-6006-3
14 Back Panel	601906-1
15 Drier Support Bracket	601737-1
16 Receiver Mounting Bracket	600056-1
17 Receiver Mounting Strap	630721-4
18 Screw, #10-24 x .50	† 52-0206-9
19 Left Corner Post Weldment	601951-1

† Refer to Cross Reference Guide

Q450 PANELS



pt1177

DESCRIPTION

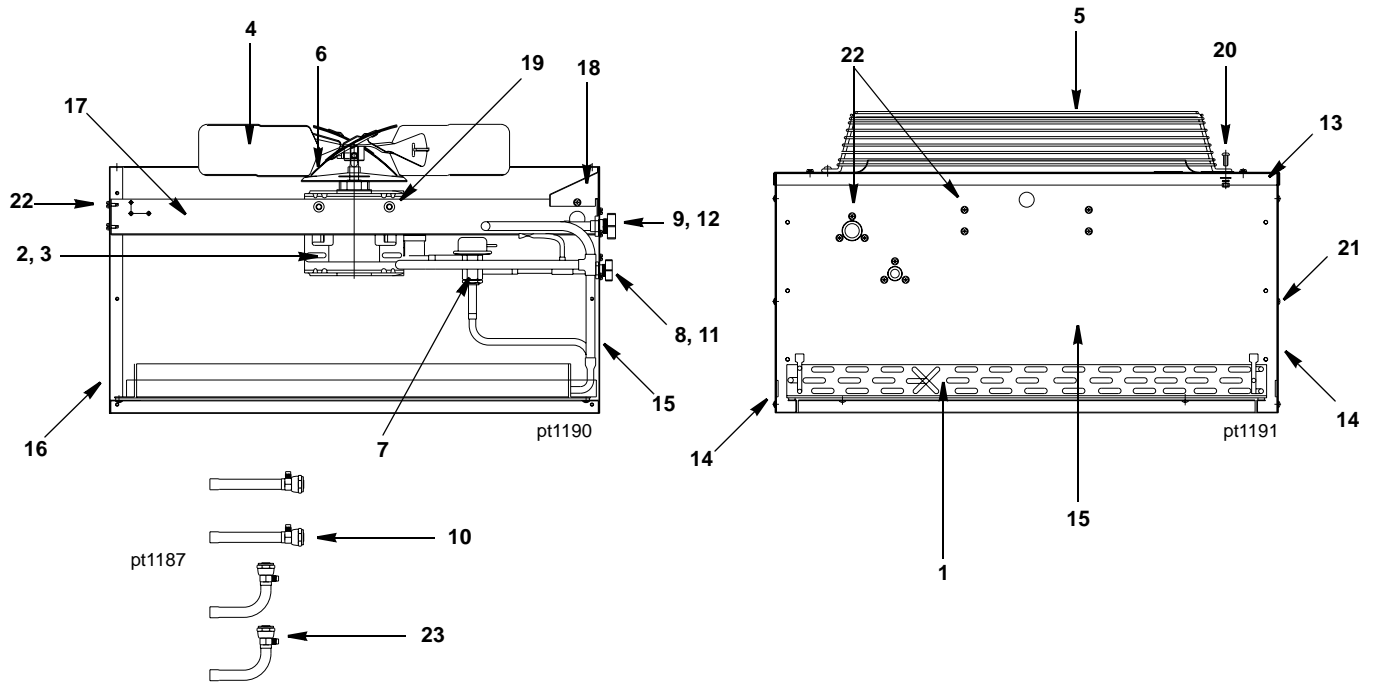
	PART NO.
1 Front Panel Assembly	76-2853-3
2 Left Side Panel	† 76-2830-3
3 Air Baffle	602363-1
4 Air Filter	40-4016-3
5 Back Panel, Water or Remote	601998-1
6 Back Panel, Air	601997-1
7 Right Side Panel	† 76-2831-3
8 Top Cover	43-0331-3

Miscellaneous – Brackets, Screws, etc.

9 Front Cover Screw	† 51-1901-9
10 Front Cover Washer	† 55-7338-9
11 Front Cover Screw Retainer	† 56-4827-9
12 Speed Nut Assembly to Mount Front Cover	† 54-7303-9
13 Screw, #10-24 x .50 Flat	† 52-0209-9
14 Extruded Tape (Not shown)	† 92-0250-9
15 Front Top Support (Not shown)	† 658041-9

NOTE: Items 9, 10, 11 and 12 can be ordered as assembly 76-2898-3.

JC0495 REMOTE CONDENSER (USED WITH Q450 ICE MACHINE)



DESCRIPTION

	PART NO.
1 Air Condenser	† 88-5063-9
2 Fan Motor (115V/60 Hz/1 Ph)	† 76-2942-3
3 Fan Motor Run Capacitor	85-0352-3
4 Fan Blade	24-1611-3
5 Fan Guard	34-0064-3
6 Rain Slinger	24-1505-3
7 Head Pressure Control	83-6809-3
8 Coupling – Male, 5/8-18	† 83-6034-3
9 Coupling – Male, 1-1/6-12	† 83-6035-3
10 Female Line Set Coupling Kit (Sold as Finished Goods Sales Kit)	Sales K0129

Miscellaneous – Brackets, Screws, etc.

11 Coupling Mounting Flange (for 5/8-18)	83-6005-3
12 Coupling Mounting Flange (for 1-1/16-12)	83-6006-3
13 Top Cover	† 601775-1
14 Panel – Side	† 601774-1
15 Panel – Rear	† 601773-1
16 Panel – Front	† 601772-1
17 Fan Motor Mounting Bracket	† 601768-1
18 Electrical Box Cover	† 601776-1
19 Fan Motor Mounting Screw (5/16-18 x 5/8)	† 50-3565-9
a. Fan Motor Mounting Flatwasher	† 55-7309-9
b. Fan Motor Mounting Lockwasher	† 55-7313-9
c. Fan Motor Mounting Hexnut	54-2975-9
20 Fan Guard Mounting Screw (1/4-20 x 5/8)	† 50-3345-9
a. Fan Guard Mounting Flatwasher	† 55-7304-9
b. Fan Guard Mounting Lockwasher	† 55-4511-9
c. Fan Guard Mounting Hexnut	† 54-2952-9
21 Panel/Condenser Mounting Screw (#8 x 1/2)	† 51-2153-9
a. Panel/Condenser Mounting Lockwasher	† 55-4459-9
22 Screw (#10-24 x 1/2)	† 52-0206-9
23 Valve Cores (used in linesets)	76-2684-3
24 Legs (Not shown)	† 601769-1

† Refer to Cross Reference Guide

INTENTIONALLY LEFT BLANK