

# SERVICE

# TEAM

# S300 Slicer

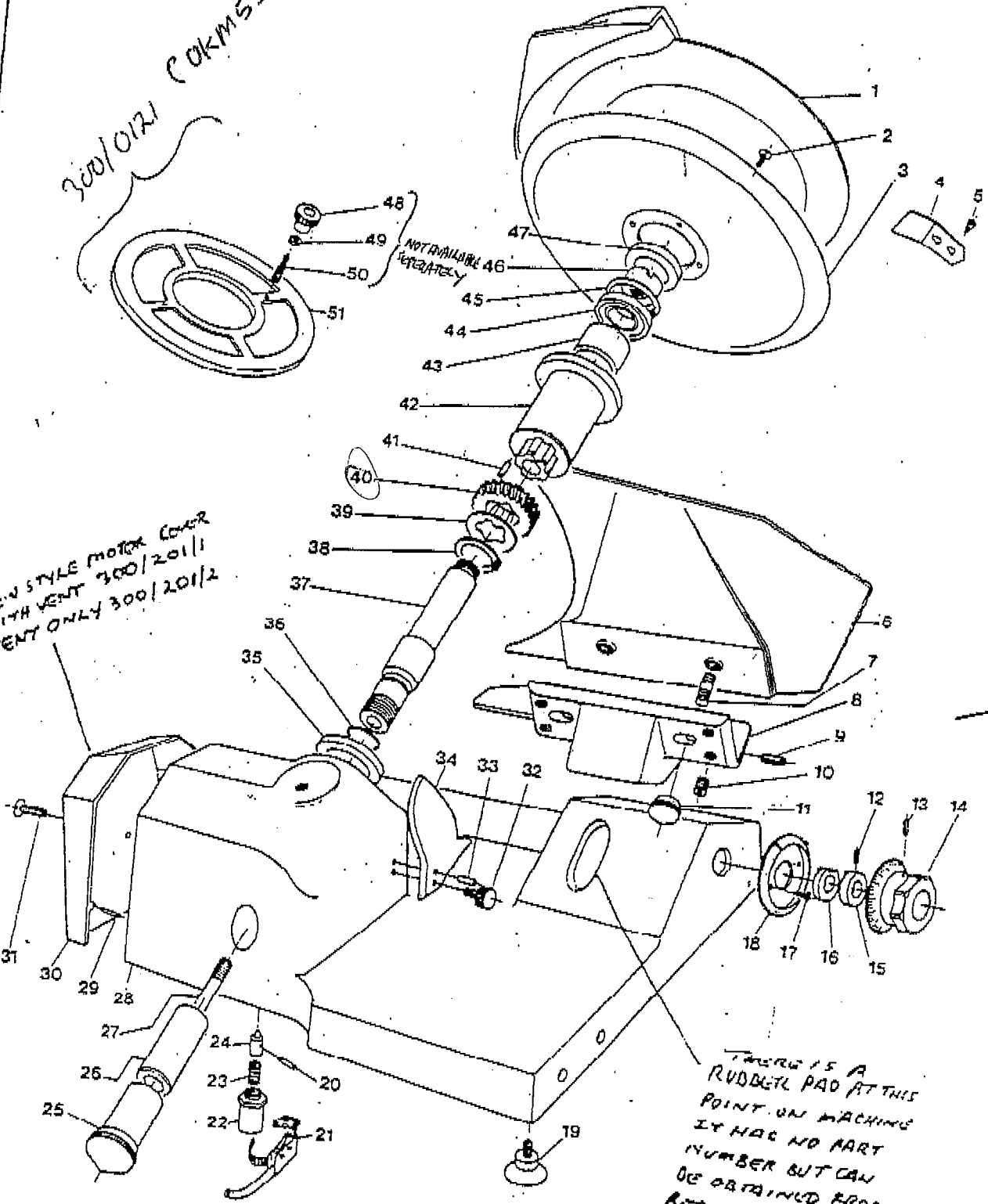
## Service Replacement Parts

(A)

Base and Knife

1/6

300/0121 (OKM533)



NEW STYLE MOTOR COVER  
WITH VENT 300/201/1  
VENT ONLY 300/201/2

THERE IS A  
RUBBER PAD AT THIS  
POINT ON MACHINE  
IT HAS NO PART  
NUMBER BUT CAN  
BE OBTAINED FROM  
REPAIR SHOP

**SERVICE****TEAM****S300  
Slicer****Service Replacement Parts**

1/6

Item	Part No	Description	Qty	Item	Part No.	Description	Qty
1	300/230	Knife guard	1	27	300/231	Knife guard rod <i>04 2038</i>	1
2	300/229	Blade attachment screw	4	28	300/200	Base casting	1
3	300/228	Blade	1	29	300/203	Roll pin	2
4	300/240	Blade scraper	1	30	300/201	Motor cover	1
5	300/241	Blade scraper bolt	2	31	300/202	Motor casing screw	1
6	300/234	Fence	1	32	300/207	Guard attachment knob	1
7	300/235	Fence fastening stud	2	33	300/206	Dowel pin	1
8	300/236	Fence support	1	34	300/205	Guard	1
9	300/237	Stud	2	35	300/215	Mim seal	1
10	300/238	Fence adjusting stud	4	36	300/216	OR seal	1
11	300/239	Fence fastening knob	2	37	300/217	Cutter support bolt	1
12	300/212	Stud	1	38	300/218	Seeger washer	1
13	300/214	Graduated knob stud	2	39	300/219	Washer	1
14	300/213	Graduated knob	1	40	300/220	Gear	1
15	300/211	Rear wheel	1	41	300/221	Rubber pivots	5
16	300/210	Front wheel	1	42	300/222	Blade support	1
17	300/209	Screw	2	43	300/223	Bearings spacer	1
18	300/208	Graduated knob bush	1	44	300/224	Bearings	2
19	300/204	Suction foot	4	45	300/225	Seeger washer	1
20	300/249	Guide pin	1	46	300/226	Taper bushing	1
* 21	300/250	Microswitch <i>034311</i>	1	47	300/227	Mim seal	1
* 22	300/248	Microswitch support <i>N/A</i>	1	48	300/245	Knob	2
23	300/247	Spring <i>034311</i>	1	49	300/244	Nut 2	2
24	300/246	Electric feeler <i>03451</i>	1	50	300/243	Stud screw	2
25	300/233	Knife guard knob <i>04 2036</i>	1	51	300/242	Blade removing tool	1
26	300/232	Blade attachment fastening sleeve <i>04 2035</i>	1				

OKM533

When ordering spares always give a full description of the part required. state the type of machine and the serial number which can be found on the rating plate fitted to the rear of the machine.

**SERVICE**

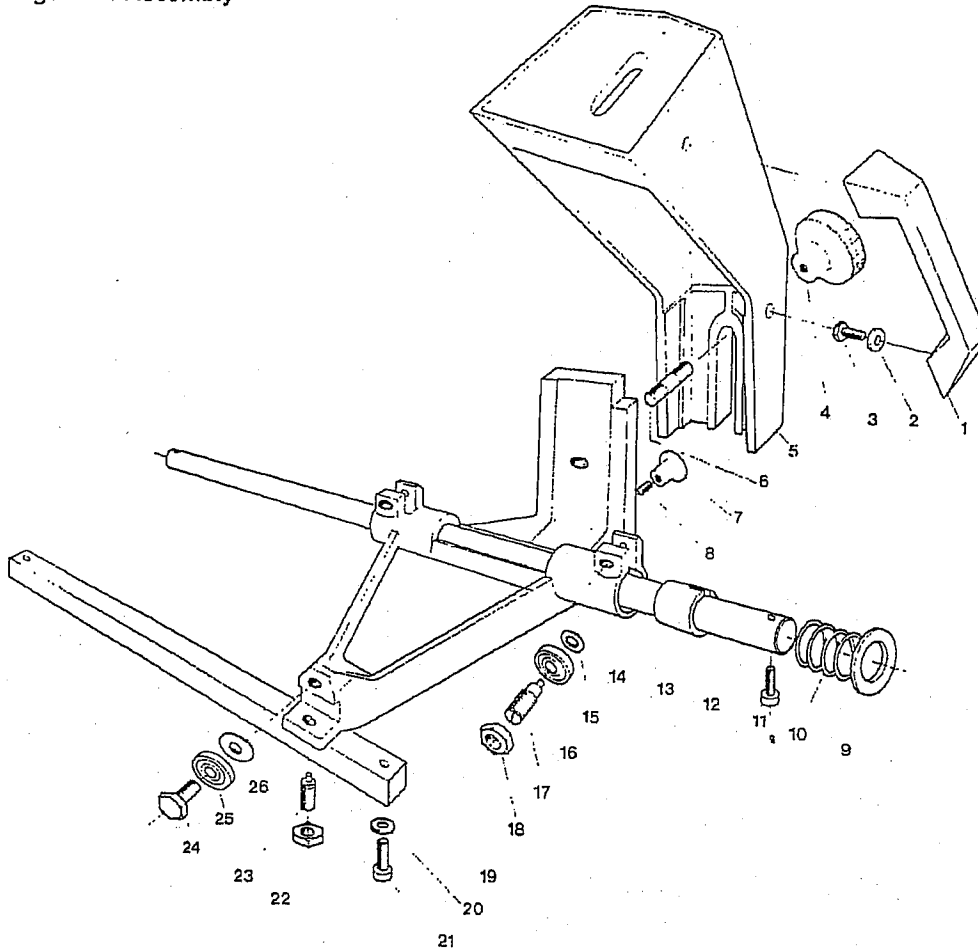
**TEAM**

**S300**  
Slicer

**Service Replacement Parts**

Carriage Arm Assembly

2/6



Item	Part No.	Description	Qty	Item	Part No.	Description	Qty
1	300/321	U handle	1	14	300/300	Arm bushing	1
2	300/322	Washer	2	15	300/302	Bearing washer	2
3	300/323	Handle attachment screw	2	16	300/303	Bearing	2
4	300/320	Carriage arm knob	1	17	300/304	Bearing support bolt	2
5	300/319	Carriage arm	1	18	300/305	Locking nut	2
6	300/311	Arm attachment stud	1	19	300/316	Frame bar	1
7	300/324	Carriage arm guide	1	20	300/318	Toothed washer	2
8	300/325	Guide stud	1	21	300/317	Frame bar attachment screw	2
9	300/315	Rubber shock absorber	2	22	300/310	Stud nut	1
10	300/314	Damper springs	2	23	300/309	Bushing adjustment stud	1
11	300/313	Round bar attachment screw	2	24	300/308	Bearing locking screw	1
12	300/312	Round guide rod	1	25	300/307	Bearing	1
13	300/301	Bushing	2	26	300/306	Washer	1

When ordering spares always give a full description of the part required, state the type of machine and the serial number which can be found on the rating plate fitted to the rear of the machine.



**SERVICE**

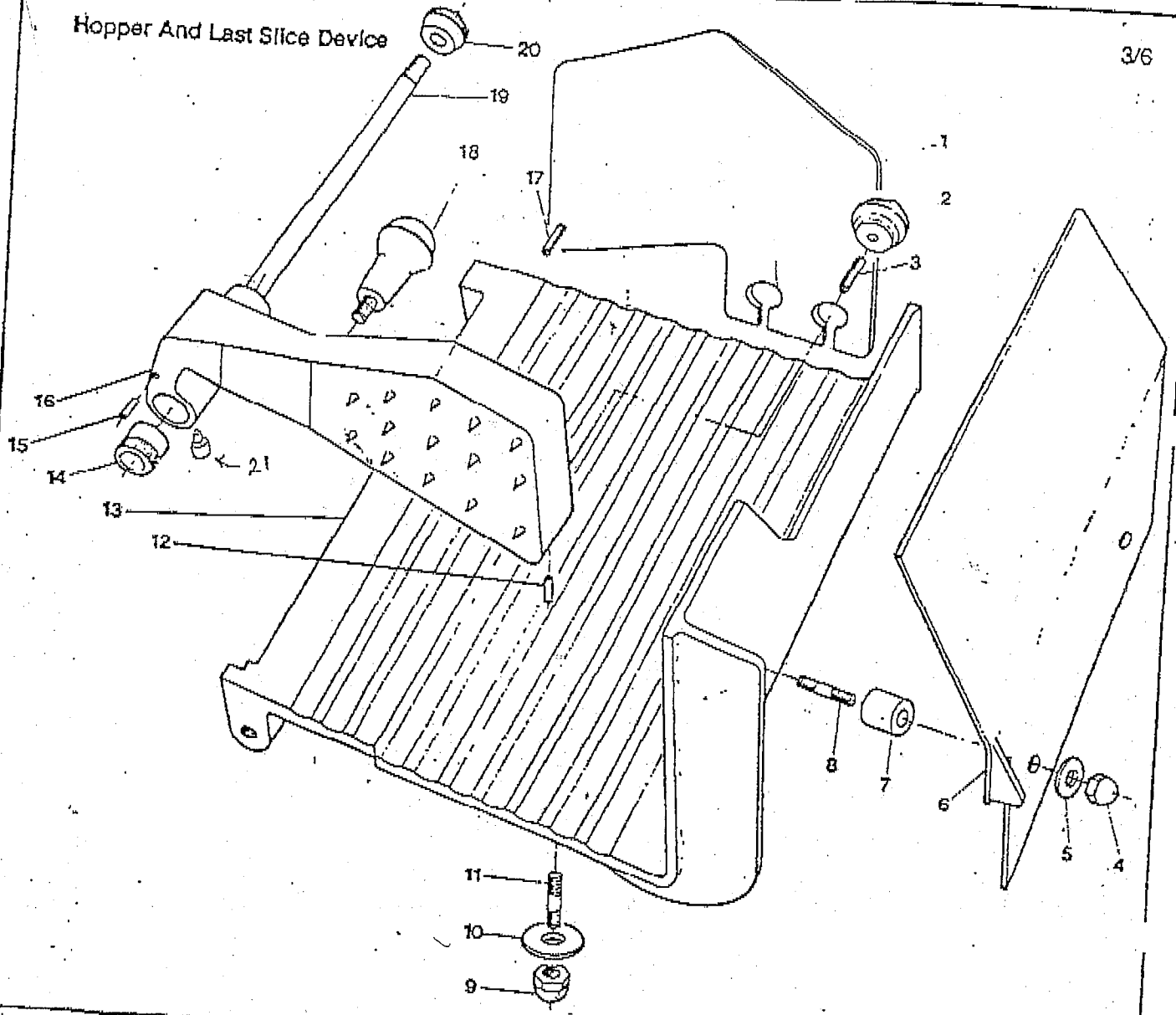
**TEAM**

**S300 Slicer**

**Service Replacement Parts**

Hopper And Last Slice Device

3/6



Item	Part No.	Description	Qty	Item	Part No.	Description	Qty
1	300/417	Last slice device guard	1	11	300/409	Attachment stud screw	1002060
2	300/418	Knob	2	12	300/407	Nylon pip	10KM424
3	300/419	Knob stud	2	13	300/400	Carriage	1002055
4	300/416	Box nut	2	14	300/402	Last slice device bushing	2002106
5	300/415	Washer	2	15	300/406	Nylon pip	10K5134
6	300/414	Plastic carriage guard	1	16	300/408	Last slice device	4061A-23
7	300/413	Spacer	2	17	300/404	Roll pin	1
8	300/412	Stud screw	2	18	300/405	Last slice device knob	1
9	300/411	Box nut	2	19	300/403	Last slice device shaft	1002058
10	300/410	Washer	1	20	300/404	Shaft knob	1
				21	300/407	P.I.P	1

409 0314-18

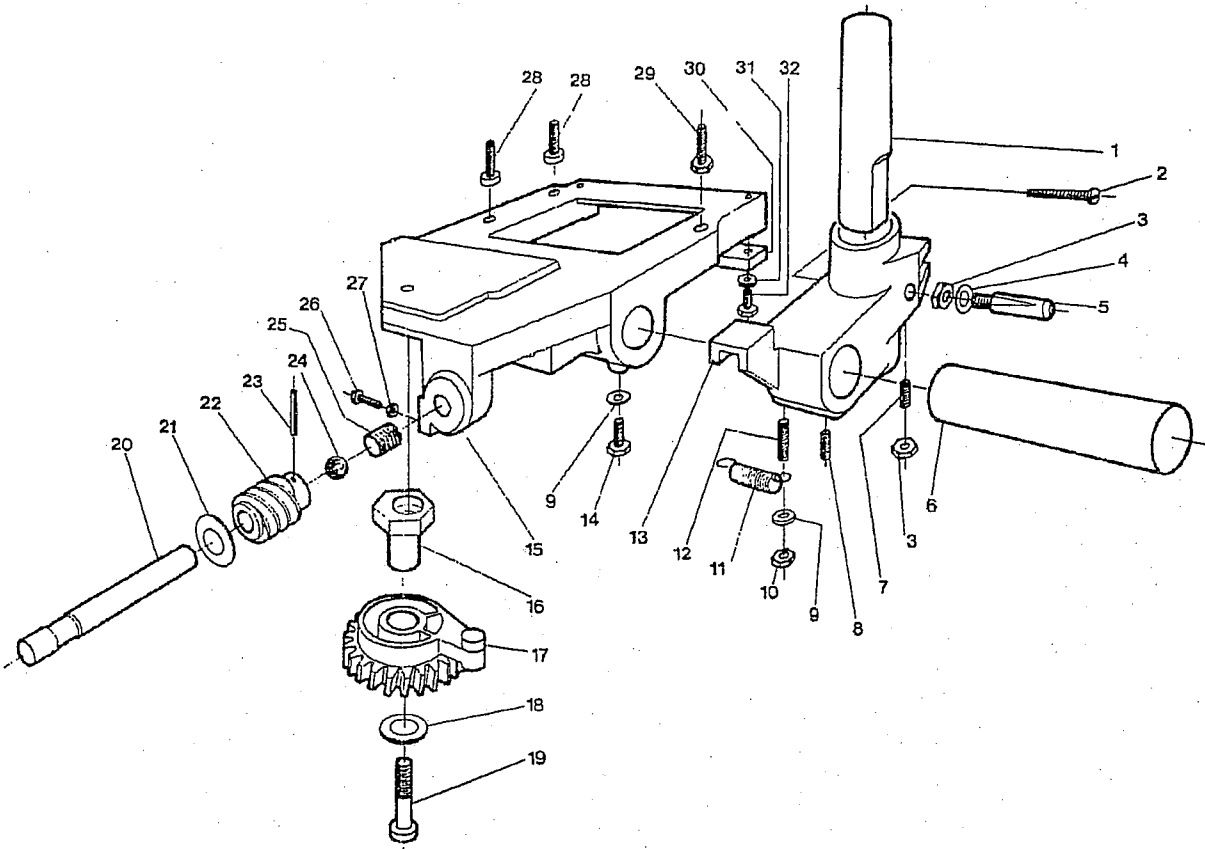
HOPPER ASSEMBLY 300/404  
2040803

When ordering parts always give a full description of the part required, state the type of machine and the serial number which can be found on the rating plate fixed to the rear of the machine.

**SERVICE****TEAM****5300  
Slicer****Service Replacement Parts**

Slice Control

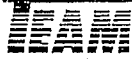
4/6



Item No.	Part No.	Description	Qty	Item No.	Part No.	Description	Qty
1	300/531	Taper support ball	1	17	300/502	Gear	1
2	300/523	Slice adjustment stop screw	1	18	300/503	Washer	1
3	300/520	Nut	1	19	300/504	Gear attachment screw	1
4	300/522	Washer	1	20	300/510	Graduated knob shaft	1
5	300/521	Crank stud	1	21	300/509	Flexible washer	1
6	300/512	Slice control shaft	1	22	300/507	Worm gear	1
7	300/519	Jib attachment screw	1	23	300/508	Roll pin	1
8	300/513	Slice control attachment screw	1	24	300/506	Ball	1
9	300/516	Washer	1	25	300/505	Ball stud	1
10	300/517	Nut	1	26	300/529	Slice adjustment screw	1
11	300/515	Spring	1	27	300/530	Screw nut	1
12	300/514	Stud	1	28	300/528	Slice control attachment allen screw	2
13	300/511	Slice control moving block	1	29	300/527	Slice control attachment screw	1
14	300/518	Spring attachment screw	1	30	300/526	Jib	1
15	300/500	Slice control guide unit	1	31	300/525	Toothed washer	2
16	300/501	Eccentric pin	1	32	300/524	Jib attachment screw	2

When ordering spares always give a full description of the part required, state the type of machine and the serial number which can be found on the rating plate fitted to the rear of the machine.

**SERVICE**

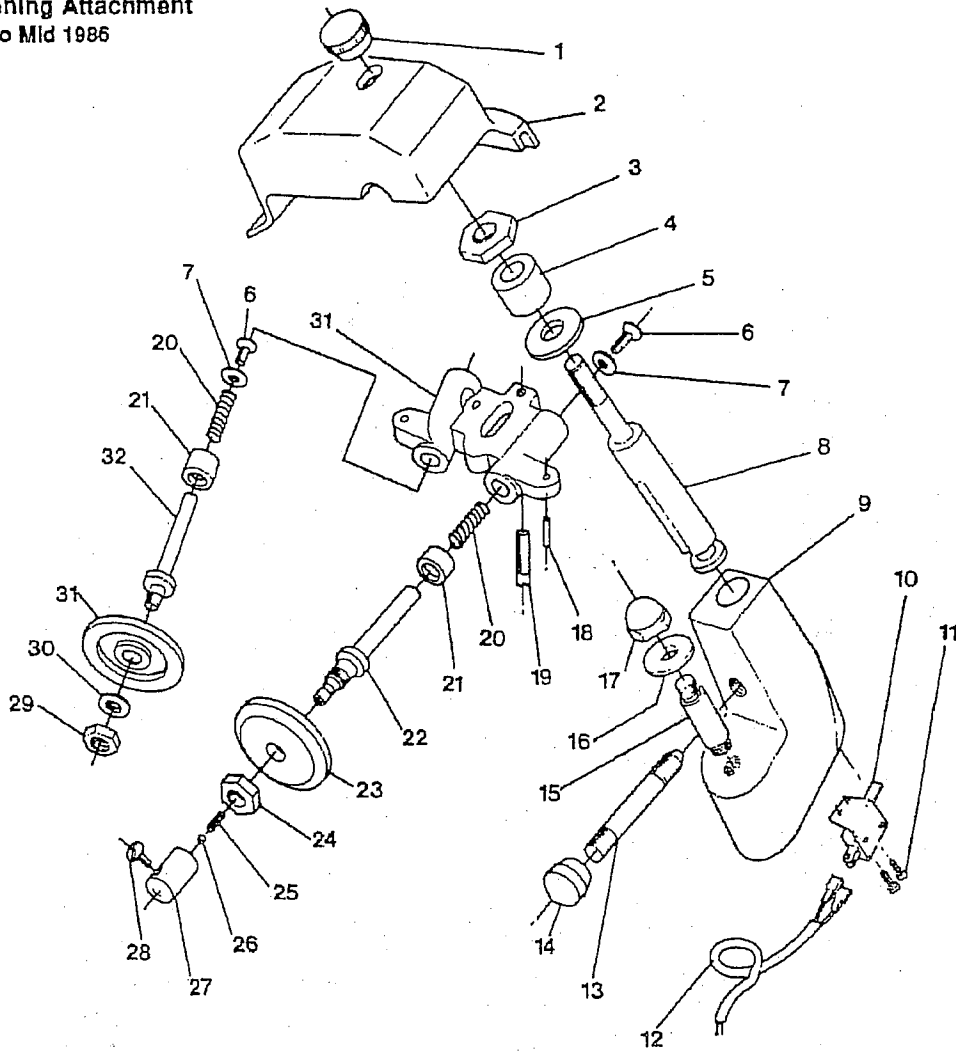


**S300**  
Silcer

**Service Replacement Parts**

**Knife Sharpening Attachment**  
Models Prior to Mid 1986

5/6



Item No.	Part No.	Description	Qty	Item No.	Part No.	Description	Qty
1	300/727	Knob	1	18	300/728	Grinder Assembly casting Pin	2
2	300/726	Grinder Cover	1	19	300/717	Grinder Guide Bolt	1
3	300/720	Nut	1	20	300/702	Spring	2
4	300/719	Spacer	1	21	300/703	Grinder Bolt Spacer	2
5	300/718	Washer	1	22	300/704	Honing Bolt	1
6	300/711	Grinding Bolt Attachment Screw	2	23	300/705	Honing Abrasive	1
7	300/712	Washer	2	24	300/706	Wheel Nut	1
8	300/700	Grinder Central Bolt	1	25	300/707	Round Spring	1
9	300/721	Grinder Support	1	26	300/708	Round Ball	1
10	300/730	Microswitch	1	27	300/709	Abrasive Retaining Knob	1
11	300/731	Microswitch Attachment Screw	2	28	300/710	Knob Attachment Screw	1
12	300/732	Microswitch Cord	1	29	300/716	Grinding Attachment Nut	1
13	300/722	Grinder Locking Bolt	1	30	300/715	Washer	1
14	300/723	Knob	1	31	300/714	Grinding Abrasive	1
15	300/724	Support Attachment Bolt	1	32	300/713	Grinding Bolt	1
16	300/725	Washer	1	33	300/701	Grinder & Honing Assembly Casting	1
17	300/729	Box Nut	1				

When ordering spares always give a full description of the part required, state the type of machine and the serial number which can be found on the rating plate fitted to the rear of the machine.

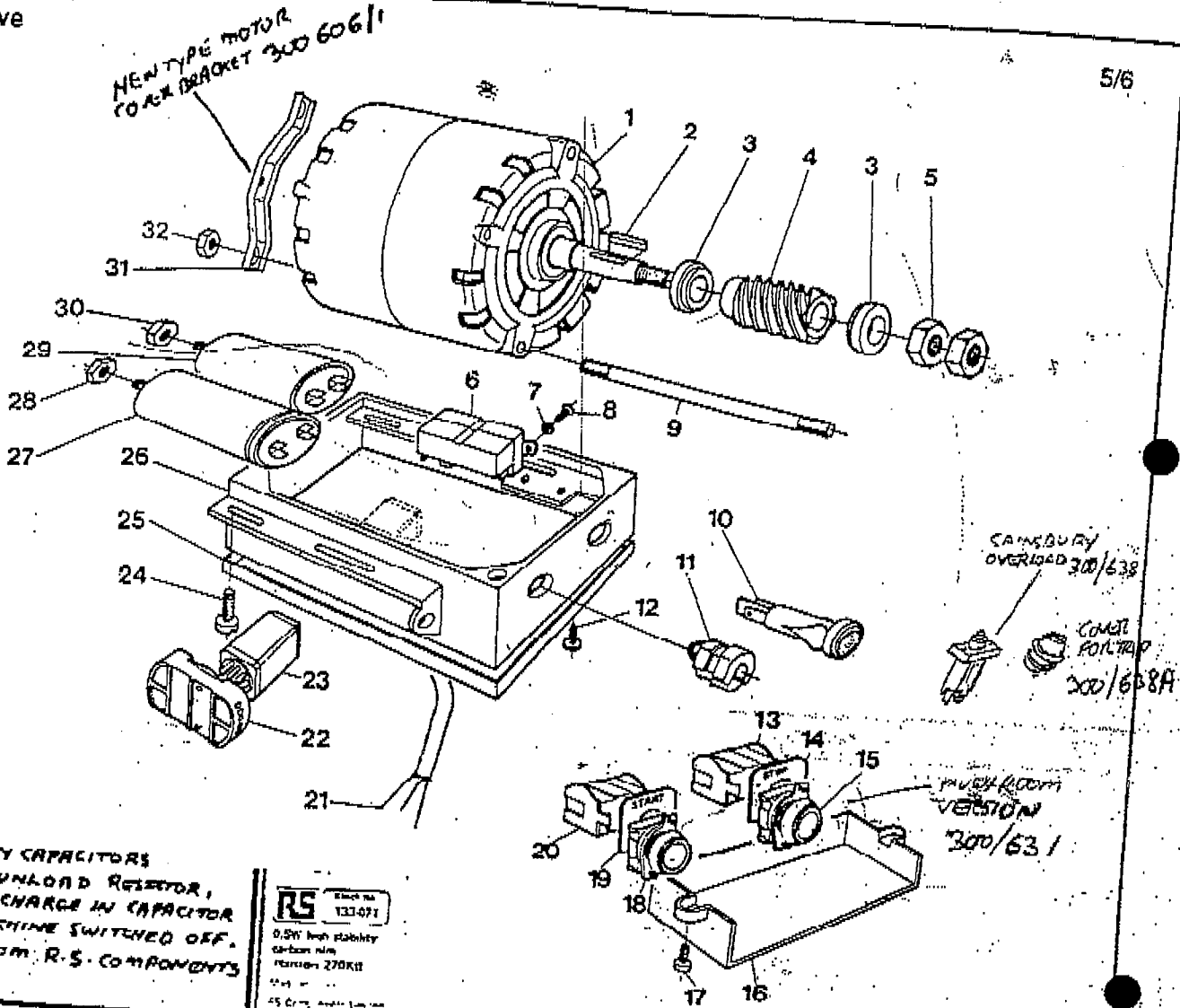
**SERVICE**

**S300 Slicer**

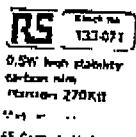
**Service Replacement Parts**

Drive

5/6



INSURE CAPACITORS HAVE AN UNLOAD RESISTOR, IF YES NO CHARGE IN CAPACITOR WHEN MACHINE SWITCHED OFF. ORDER FROM R.S. COMPONENTS



Item	Part No.	Description	Qty	Item	Part No.	Description	Qty
1	300/600	Motor (SEE DRAWING 464)	1	16	300/636	Switches cover	1
2	300/601	Feather	1	17	300/637	Switches cover screws	2
3	300/602	Rubber shock absorber	2	18	300/630	Start button	1
4	300/603	Worm gear	1	19	300/631	Start plate (NOW WITH 300/630)	1
5	300/604	Nuts	2	20	300/632	Start switch	1
6	300/620	Relay	1	21	300/625	Cord	1
7	300/622	Nuts	2	22	300/628	Foot relay	1
8	300/621	Relay attachment screws	2	23	300/629	Relay	1
9	300/605	Motor bolts	4	24	300/609	Casing attachment screws	3
10	300/623	Warning lamp	1	25	300/626	Casing cover	1
11	300/624	Cable fastening	1	26	300/608	Electrical equipment casing	1
12	300/627	Cover attachment screws	2	27	300/616	Take-off capacitor	1
13	300/635	Stop switch	1	28	300/617	Nut	1
14	300/634	Stop plate (NOW WITH 300/633)	1	29	300/618	Running capacitor	1
15	300/633	Stop button	1	30	300/619	Nut	1
				31	300/606	Cover motor support	1
				32	300/607	Nuts	6

TD CAPACITOR 300/900

BOARD FOR LATER FIT 300/645

MOTOR ASSEMBLY 300/0160  
ELECTRICAL SUB ASSY 300/0162

When ordering spares always give a full description of the part required, state the type of machine and the serial number which can be found on the rating plate fitted to the rear of the machine.