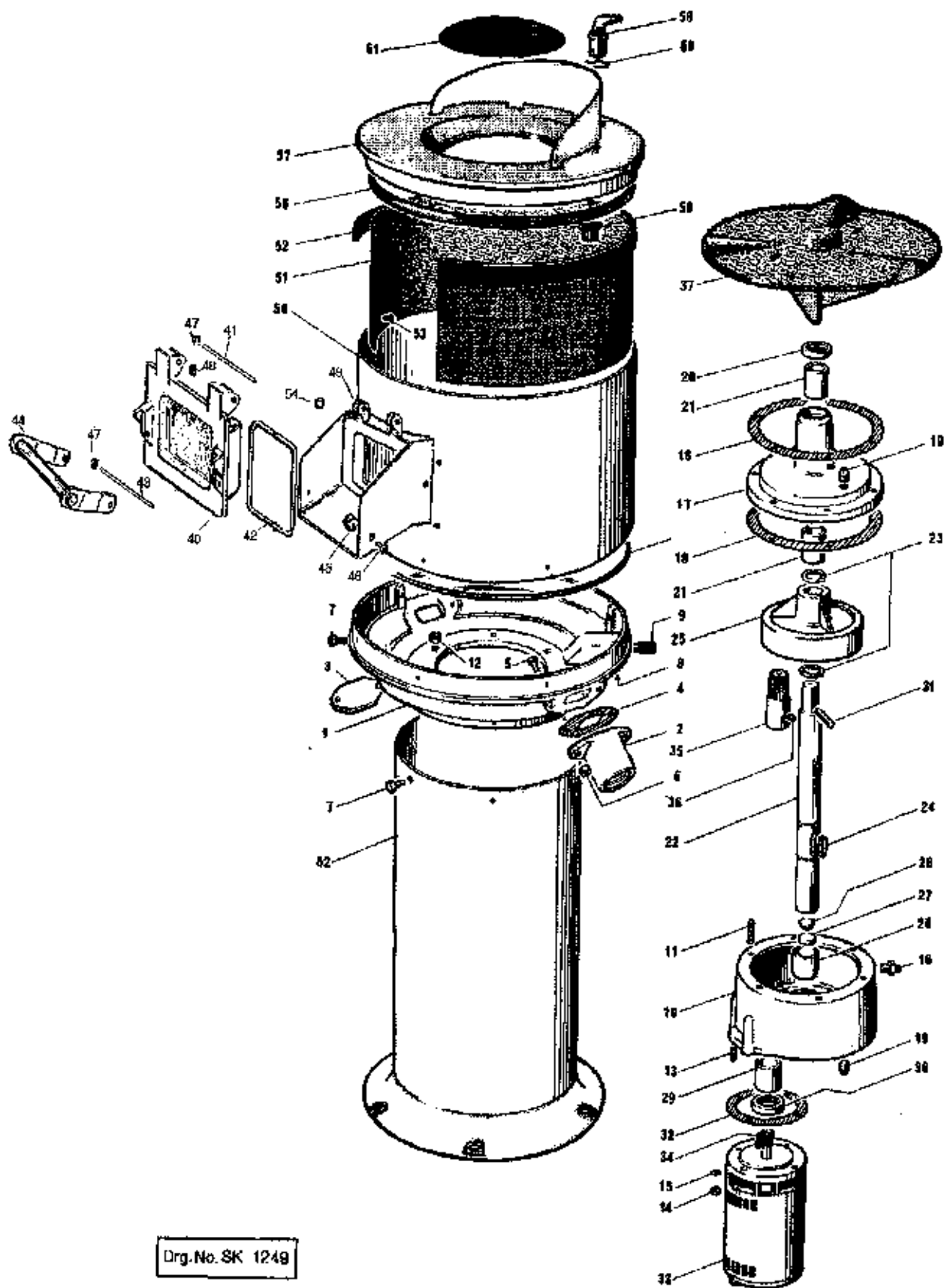


SP25/56 Parts Illustration
Fig. 1



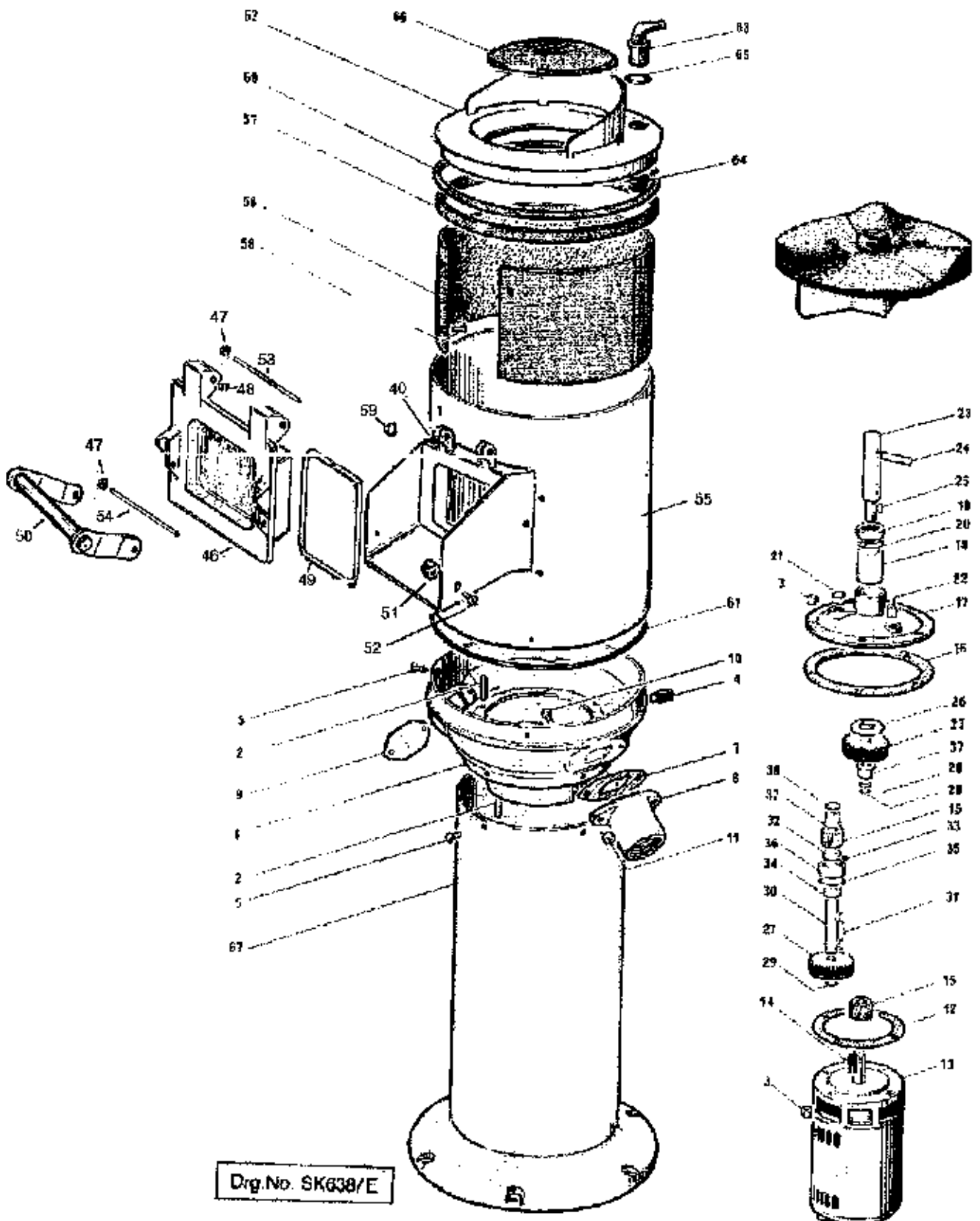
Org.No. SK 1249

PARTS LIST MODEL S25/56 POTATO PEELER SERIES 17

To be read in conjunction with Drawing No SK1249

Illus	Part No	Description	Illus	Part No	Description
1	C58/003M1	Pan	56	S58/506	Rim Moulding
2	C28/023M1	Waste Outlet	57	E02/064M2	Lid
3	C28/008M1	Cover Plate	58	S58/012	Water Inlet Assembly
4	A11/026	Waste Outlet Gasket	59	L21/050	Water Inlet Spacer
5	D19/113	Hex Bolt	60	A11/177	Washer
6	D20/023	Full Hex Nut	61	E02/005	Splash Cover
7	D22/030	Hex Taplike Screw	62	E02/082	Pedestal Fabrication-Low
8	E02/077	Terminal Cover		E02/083	Pedestal Fabrication-High
	A11/174	Gasket	64	J04/241	Plug
	D21/044	Pan Head Screw		S56/221	Timer Starter Unit 380/440-3-50
	D25/004	Shakeproof Washer		S58/240	Timer Starter Unit 220/240-1-50
	D25/021	Plain Washer			
9	A10/266	Cable Gland			
10	C58/001M1	Gear Box Housing			Accessories Available
11	D23/038	Stud			
12	D20/015	Nut	S58/210		Waste Ejector Kit 2" BSP
	D25/024	Fibre Washer	S58/062		Inlet Hose Kit
13	D23/003	Stud	S58/250		Interceptor Tank Assembly
14	D20/23	Nut	S58/033		Integral Filter Basket
15	D25/012	Washer	S61/011		Mobile Tub Unit
16	A10/169A&B	Breather & Valve			
17	C58/002M1	Centre Boss Housing			
18	A11/157	Gasket			
19	J04/001	Plug			
20	A02/032	Seal-Double Lip			
21	A00/049	Bearing-Dry			
22	L58/026	Shaft			
23	D27/012	Circlip-External			
24	D27/014	Key			
25	L21/025	Gear Wheel			
26	A00/045	Bearing			
27	A10/011A	Thrust Pad-Flat			
28	A10/011B	Thrust Pad-Domed			
29	A00/047	Bearing			
30	A02/033	Seal-Double Lip			
31	D26/032	Pin			
	K07/003	Oil 4lit.			
32	A11/056	Motor Gasket			
33	G40/158	Motor- 380/440-3-50 or			
	G40/157	Motor- 220/240-1-50			
34	-	Key			
35	L21/052	Gear Cross Pinion			
36	D22/019	Socket Set Screw			
37	S58/322	Bottom Plate Assembly Peeler			
	S58/331	Bottom Plate Assembly Washer			
40	C58/007M1	Door			
41	L58/008	Hinge Rod			
42	A13/078M1	Gasket			
43	L58/024	Handle Pivot Rod			
44	E58/023	Handle			
	L58/022	Handle Rod			
	L21/047	Handle Nut			
	M79	Door Roller			
	L21/044	Handle Sleeve			
	A10/439	Heatshrink Steeving			
45	L21/048	Eccentric			
	M79	Roller			
46	D18/050	Screw M6 x 10			
	D20/031	Nut M6 Dome			
	D25/005	Washer M6			
47	D28/029	Starlock			
48	D25/070	Washer			
49	C58/008M1	Door Rim			
50	E58/032	Cylinder Fabrication			
51	E58/021 Z1	Liner Assembly-Peeler			
	E58/021 Z2	Liner Assembly-Washer			
52	K08/081	Liner Seal			
53	D18/049	CSK SS Screw			
54	D20/031	Hex Dome Nut			
55	-				

SP12/28 Parts Illustration
Fig. 2



PARTS LIST MODEL S12/26 POTATO PEELER SERIES 18

To be read in conjunction with Drawing No SK638/E

Illus	Part No	Description	Illus	Part No	Description
1	C28/003M1	Pan Gearbox Casting	65	A11/177	Washer
2	D23/003	M8 x 25mm Stud	66	E02/005	Splash Cover
3	D20/023	M8 Full Nut ZPS	67	E14/070	Pedestal - low
4	A10/266	Cable Gland		E14/071	Pedestal - high
5	D22/030	M6 x 12mm Hex Taplite Screw			
7	A11/026	Waste Outlet Gasket		S58/220	Timer Starter Unit 380/440-3-50
8	C28/023M1	Waste Outlet		S58/230	Timer Starter Unit 220/240-1-50
9	C28/008M1	Cover Plate			
10	D19/113	M8 x 30mm Hex SS Screw			Accessories Available
11	D20/014	M8 Full Nut SS			
12	A11/056	Motor Gasket		S58/210	Waste Ejector Kit 2" BSP
13	G40/147M1	Motor - 220/240-1-50		S58/062	Inlet Hose Kit
	G40/148M1	360/440-3-50		S58/250	Interceptor Tank Assembly
	G40/117	208-3-60		S58/034	Integral Filter Basket
14	D14/012	Key 3/16 x 3/16 x 3/4"		S61/011	Mobile Tub Unit
15	L21/022	19T Gear Pinion			
16	A11/082	Centre Boss Gasket			
17	C28/004M1	Centre Boss			
18	A00/032	Bearing - 1 1/4 x 1 5/8 x 2"			
18	A02/010	Oil Seal 1 1/4 x 2 x 5/8"			
20	D08/061	Felt Washer			
21	A10/061	Core Plug			
22	J04/001	Oil Filter Plug 1/2" BSP			
23	L58/027	Centre Spindle			
24	D26/032	Cross Pin			
25	D14/003	Woodruff Key			
26	L21/015	Spacer			
27	L21/023	46T Gear Wheel			
28	L21/020	Washer			
29	D14/015	Circlip 5/8" External			
30	L21/018	Layshaft			
31	D14/003	Woodruff Key			
32	L21/016	Spacer			
33	D22/002	M6 x 6mm Soc Set Screw			
34	L21/019	Spacer			
35	D14/025	Circlip 1 9/16" Internal			
36	A01/018	Ball Journal 5/8" x 1 9/16" x 7/16"			
37	A00/023	Flanged Bearing 5/8"x7/8"x3/4"x1 1/4"			
38	D08/032	Felt Disc			
39	S58/131	Bottom Plate Assembly (Peeler)			
	S58/261	Bottom Plate Assembly (Washer)			
	S58/411	Bottom Plate Assy (Peeler/Washer)			
40	C58/008M1	Door Rim			
46	C58/007M1	Door			
47	D28/029	Starlock			
48	D25/070	Washer			
49	A13/078M1	Gasket			
50	E58/023	Handle			
	L58/022	Handle Rod			
	L21/47	Handle Nut			
	M79	Door Roller			
51	L21/048	Eccentric Roller			
	M79	Roller			
	L02/014	Stop			
52	D18/050	Screw M6 x 16			
	D20/031	Nut M6 Dome			
	D25/005	Washer M6			
53	L59/008	Hinge Rod			
54	L58/024	Handle Pivot Rod			
55	E58/031	Cylinder			
56	E58/02221	Liner Assembly (Peeler)			
	E58/02222	Liner Assembly (Washer)			
57	K08/081	Liner Seal			
58	D18/040	C&K SS Screw			
59	D20/031	M6 Dome Nut			
60	S58/505	Rubber Moulding			
61	K09/065	Sealer			
62	E14/039M2	Lid			
63	S58/012	Water Inlet Assy			
64	L21/050	Retaining Ring			