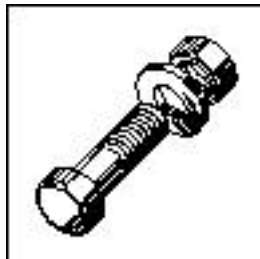




## SM8E

ML 25390

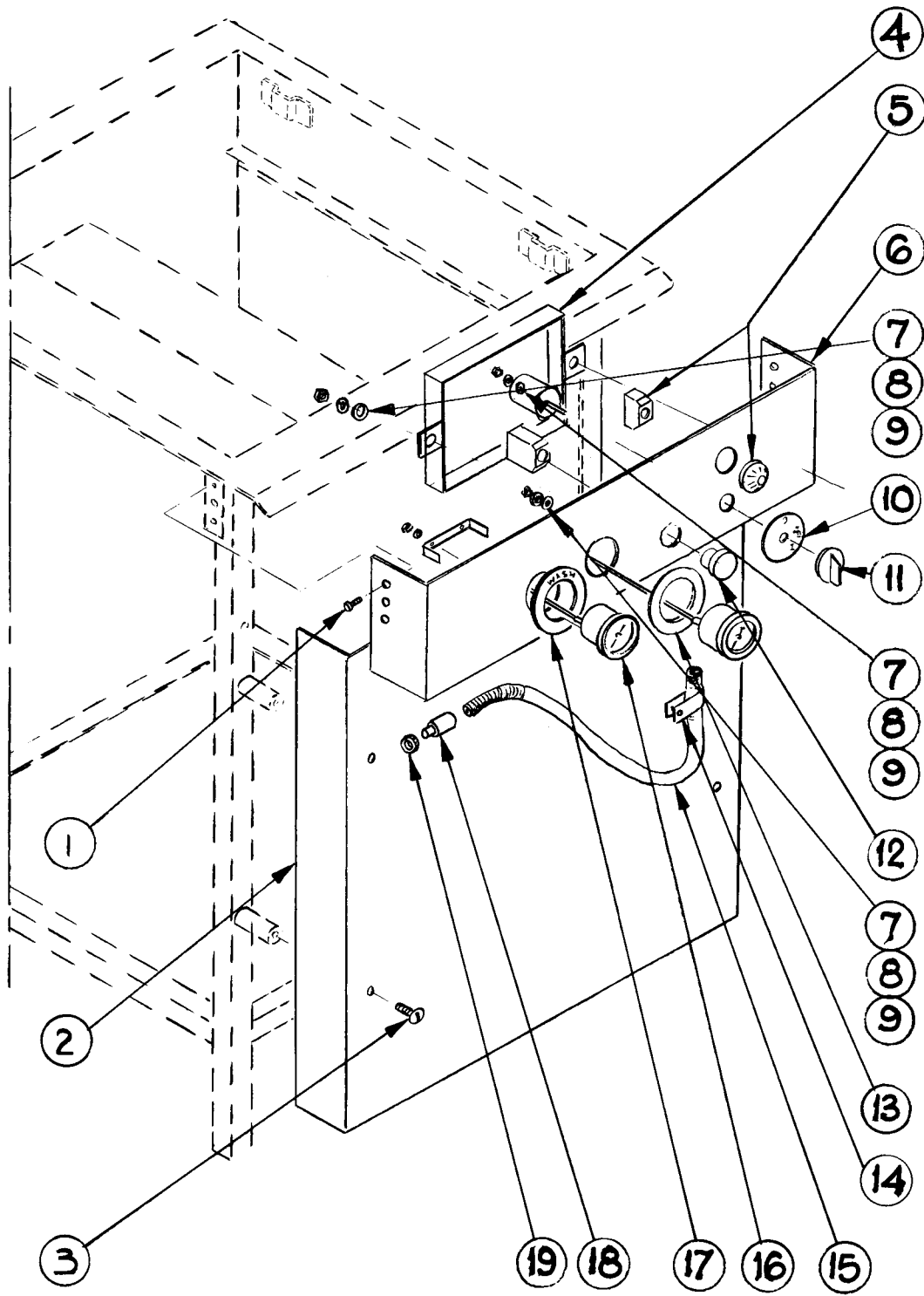
ML 25398



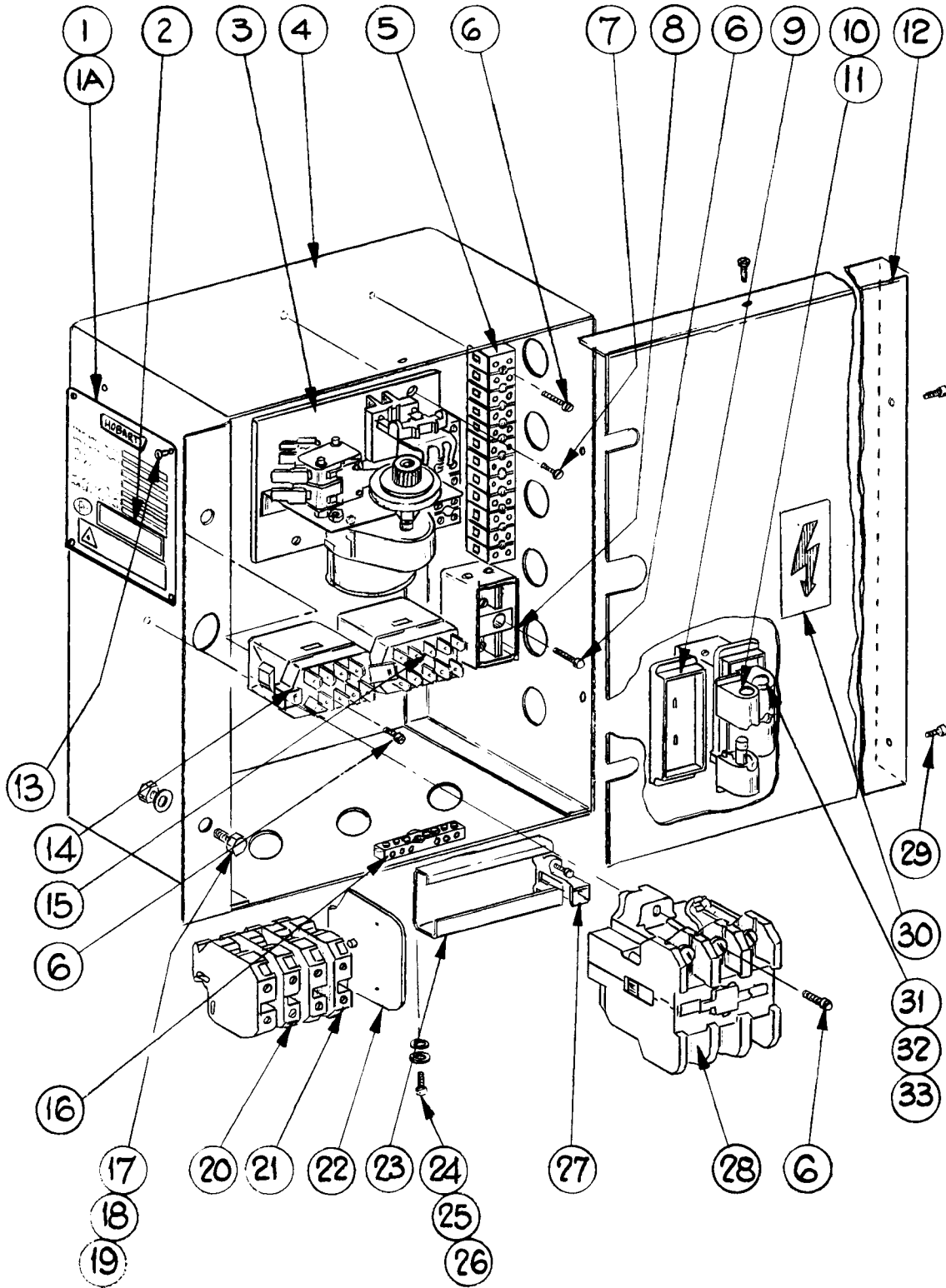
Spare Parts

---

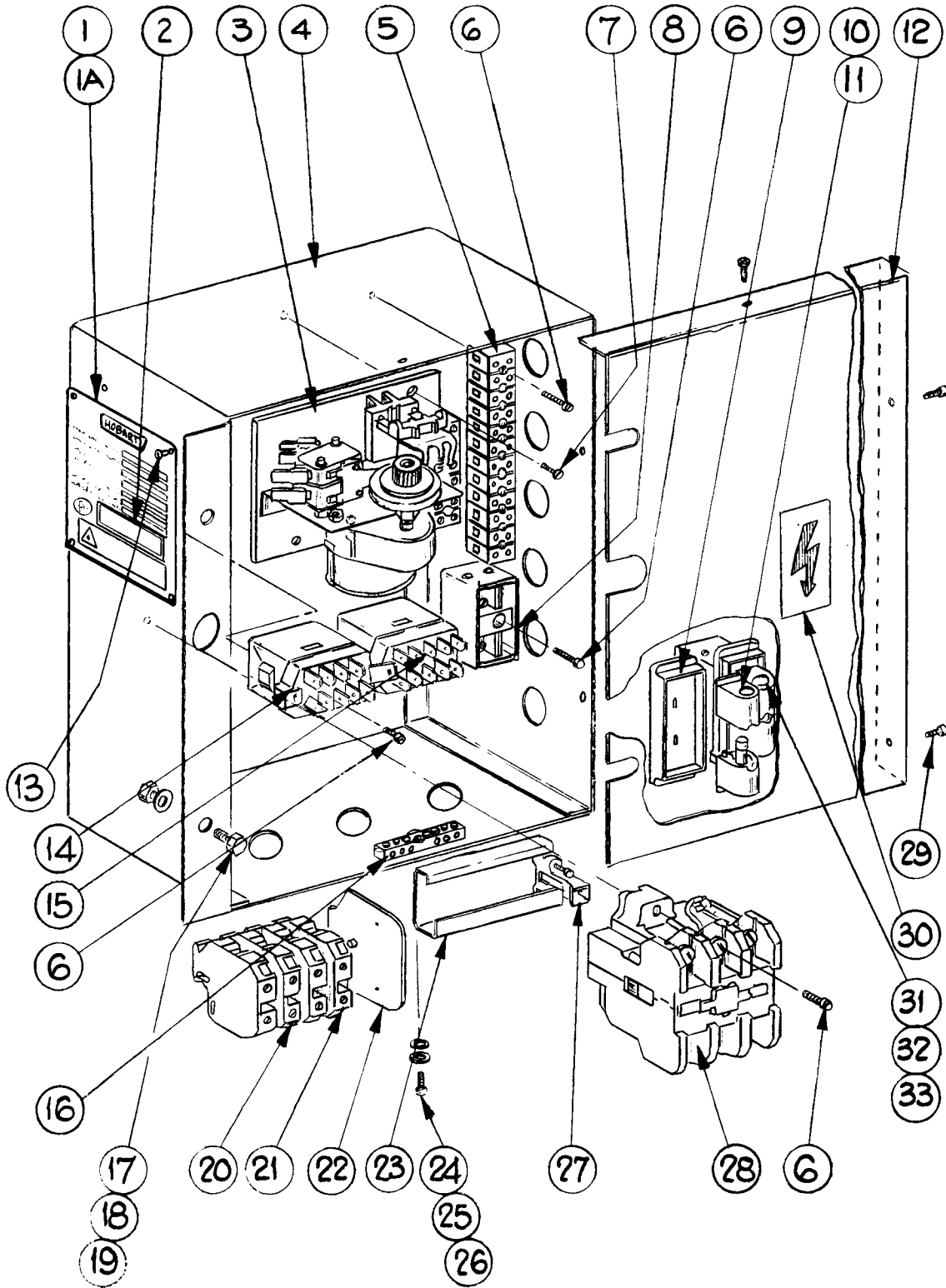
<b>Index of Spare Parts</b>	<b>Page</b>
Control Panel Assy & Front Panel.....	3 - 4
Control Box.....	5 - 8
Rinse Cylinder - Electric Heating.....	9 - 10
Steam Rinse Calorifier.....	11 - 12
Rinse Pump & Motor Unit A.C. & D.C.....	13 - 16
Frame & Wash Tank.....	17 - 18
Internal Wash & Rinse System.....	19 - 20
External Rinse Pipework.....	21 - 22
Door Lift Mechanism.....	23 - 24
Hood Assy.....	25 - 26
Wash Pump.....	27 - 28



<b>Key No</b>	<b>Part No</b>	<b>Description</b>
1	SCM-E-12-5	Screw M5 x 12 CSK.HD
2	136636	Front Panel
3	SCM-E-13-15	Screw M6 x 12 Mus H.D
4	137955	Switch Insulation
5	146957 228499-1 228498 168233-1 228499-1	240V Pilot Light Body with Bulb 240V Pilot Light Lens - Green 115V Pilot Light Body 115V Bulb 115V Pilot Light Lens - Green
6	137956	Control Panel Assembly
7	WAM-E-8-14	Washer M4
8	LWM-E-2-2	Lockwasher M4
9	NUM-E-2-6	Nut M4
10	137953	Plate - Switch Logo
11	227167	Programme Switch
12	138065-1	Illuminated Push Button Switch
13	138100	Identification Ring - Final Rinse
14	EP-E-6-23	Clip 3/4"
15	135903	Flexible Conduit
16	TH-E-2-7	Vapour Pressure Thermometer 2" dia,
17	138099	Identification Ring - Wash
18	135904	Adaptor 20mm
19	EPM-E-11-13	Locknut 20mm

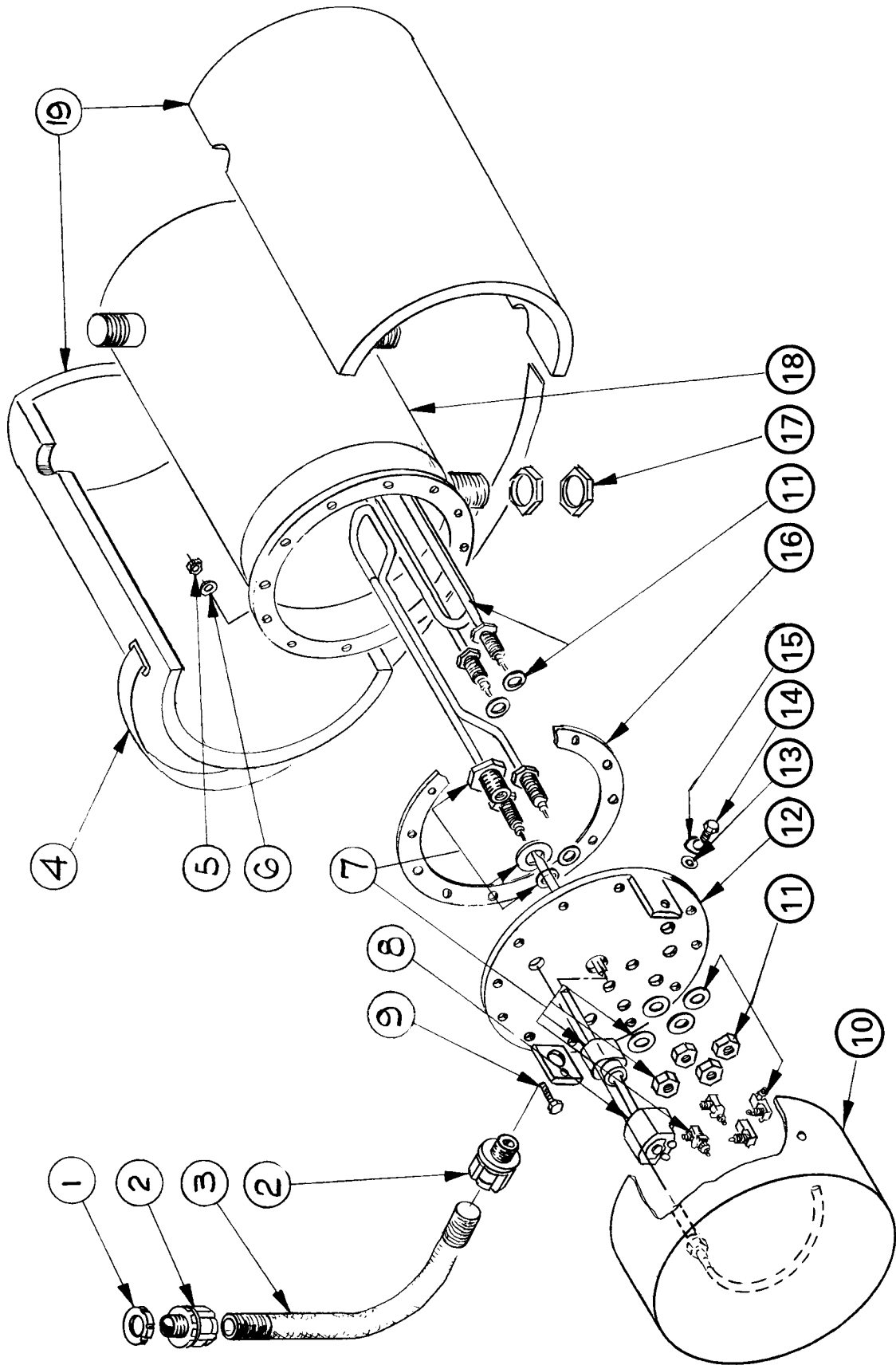


Key No	Part No	Description
1	136186	Specification Plate & Sticker ASSY ( Inc key 1A & 2 )
1A	135137	Specification Plate - European Large
2	136075-1	Sticker - Local Identification
3	139828-1 139828-2 139828-5	Timer 60 sec, 220/240v 50Hz Timer 60 sec, 230/240v 60Hz Timer 60 sec, 110v 60Hz
4	136650	Control Box Assy
5	EP-E-2-41	12-Way Terminal Block
6	SD-E-2-37	Screw No 4 x 5/8"
7	SD-E-2-19	Screw No 8 x 1/2"
8	EP-E-1-25	Fuse Base 30 amp
9	EP-E-1-26	Fuse Base Cover 2 amp
10	ep-e-1-28	Fuse Carrier 2 amp
11	EP-E-1-30	Fuse Cartridge 2 amp
12	137395	Cover Control Box
13	RV-E-2-37	Pop Rivet
14	135842-1 135842-4 135842-10 135842-8	Relay ( Wash Motor ) 110v 50Hz Relay ( Wash Motor ) 115v 60Hz Relay ( Wash Motor ) 220/240v 50Hz Relay ( Wash Motor ) 220v 60Hz
15	135842-1 135842-4 135842-10 135842-8	Relay ( Rinse Motor ) 110v 50Hz Relay ( Rinse Motor ) 115v 60Hz Relay ( Rinse Motor ) 220/240v 50Hz Relay ( Rinse Motor ) 220v 60Hz
16	168155-1	Earth Bar
17	SCM-E-13-30	Screw M6 x 20 Hex HD
18	WAM-E-8-28	Washer M6
19	NUM-E-3-9	Stiff Nut M6
20	166456-4 166456-8	Terminal Klippon SAK6 ( 3 ph ) Terminal Klippon SAK35 ( 1 ph )
21	166454-4	Terminal Klippon SAK4
22	168154-3 168154-5	End Plate ( 3 ph ) End Plate ( 1 ph )

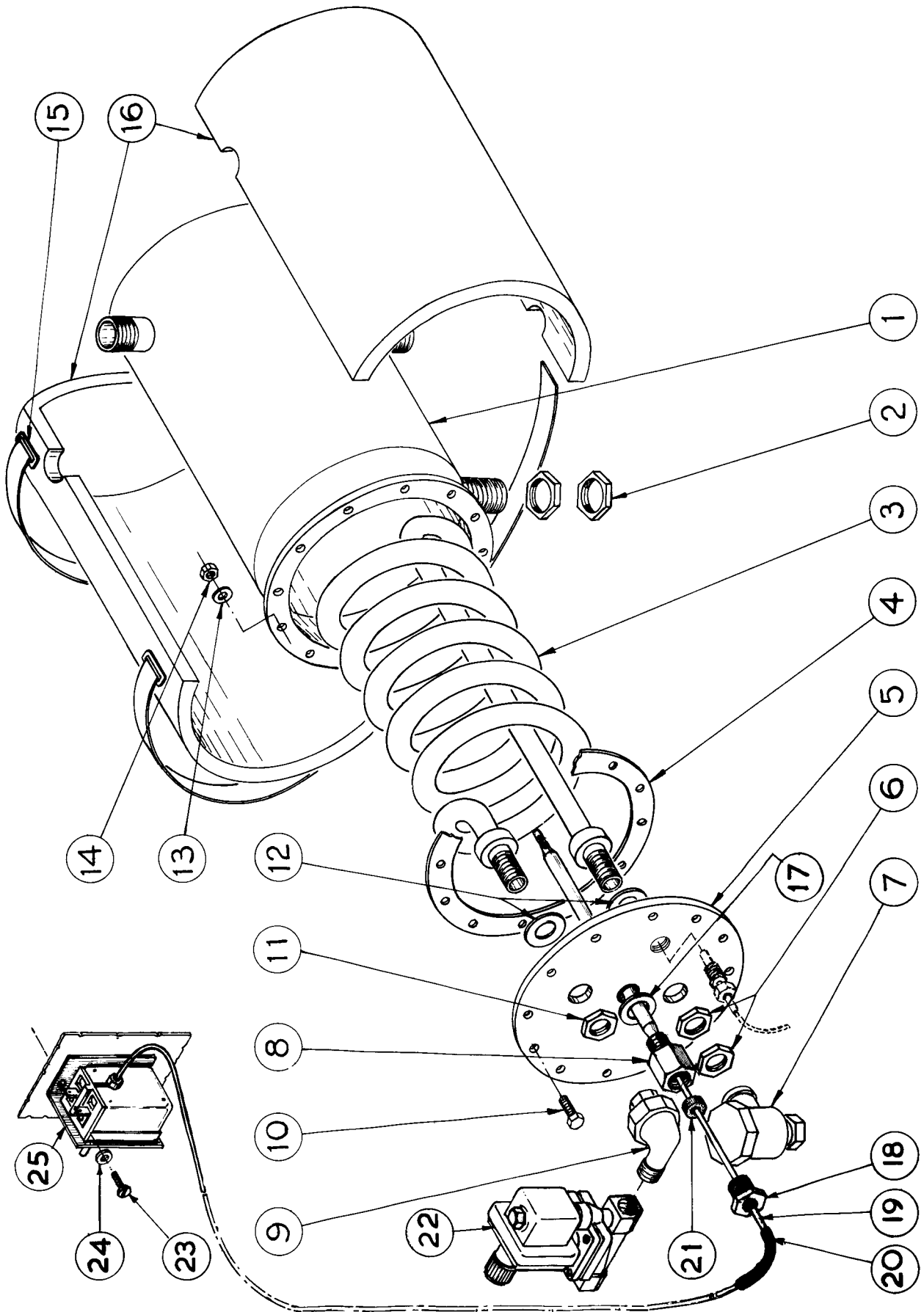




Key No	Part No	Description
23	135891-22	Terminal Mounting Rail
24	SCM-E-3-4	Screw M4 x 8
25	WAM-E-8-15	Plain Washer M4
26	LWM-E-2-1	Lockwasher Single Coil
27	168282-1	End Bracket
28	136639-1	Contactactor 220v 50Hz
	139271-2	Contactactor 240v 50Hz
	136639-5	Contactactor 220v 60Hz
	136639-11	Contactactor 115v 60Hz
	139270-1	Contactactor 220/240v 50Hz
29	SCM-E-12-6	Screw M5 x 12
30	136980	Sign - High Voltage
31	EP-E-1-27	Fuse Base Cover 15 amp
32	EP-E-1-32	Fuse Cartridge 15amp
33	EP-E-1-29	Fuse Carrier 15amp

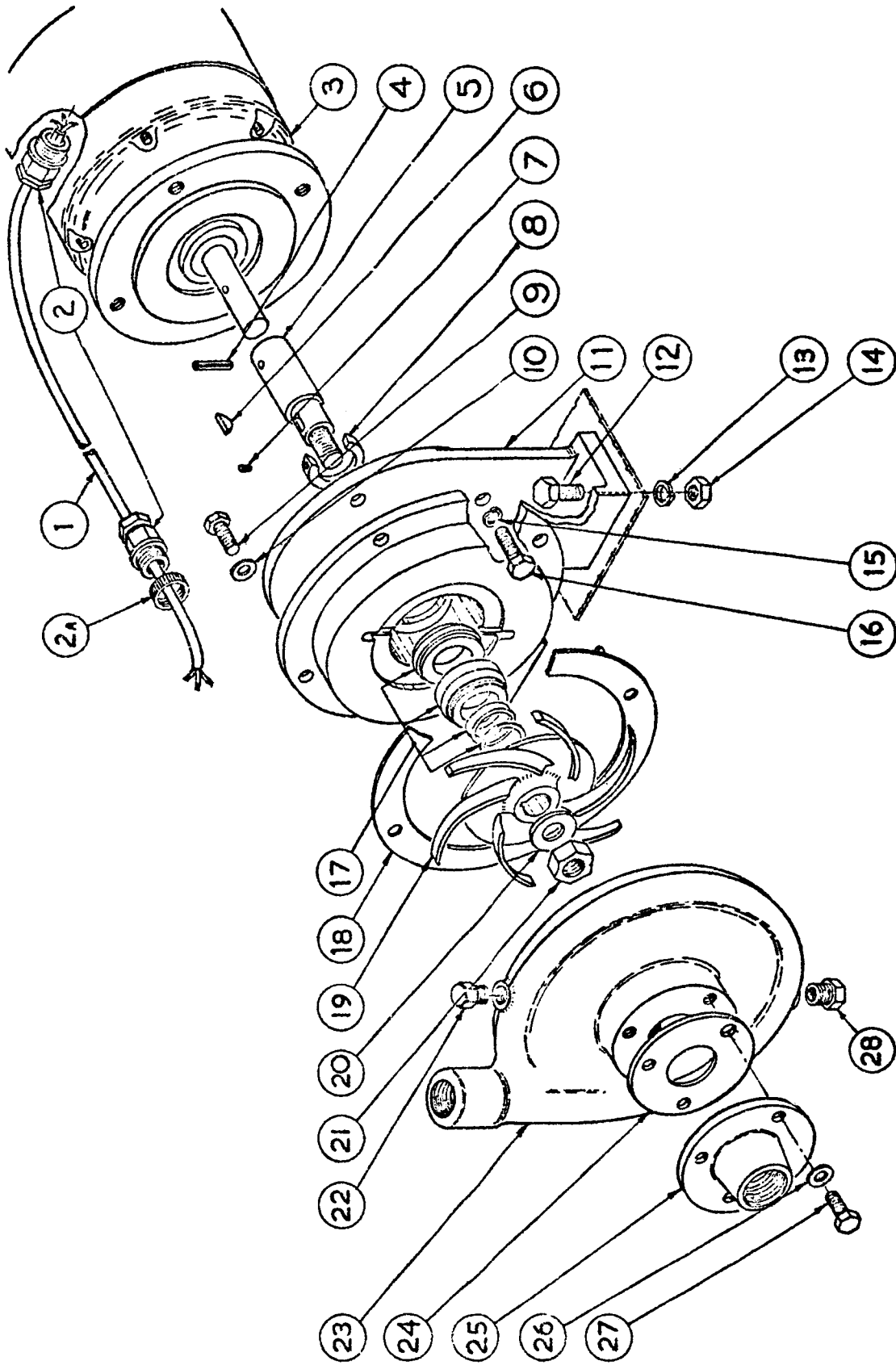


<b>Key No</b>	<b>Part No</b>	<b>Description</b>
1	EPM-E-11-13	Locknut 20mm
2	135904	Adaptor 20mm
3	135903	Conduit 20mm
4	CL-E-2-19	Lagging Band
5	NUM-E-3-2	Nut M6
6	WAM-E-8-28	Washer M6
7	55950 55950-1 55950-2	Element 230/250v Element 200/220v Element 120v
8	135412 142335	Thermostat Stem 11" Thermostat Stem 7"
9	SCM-E-13-39	Screw M6 x 25mm
10	54988	Terminal Cover
11	55868 55868-1 55868-2	Element 2.1/2kW 240v Element 2.1/2kW 200/220v Element 2.1/2kW 127v
12	56004	Boiler End Plate
13	WAM-E-8-28	Washer M6
14	SCM-E-13-24	Screw M6 x 16mm
15	LWM-E-3-1	Single Coil Lockwasher M6
16	140309	Gasket
17	PF-E-8-29	Backnut 3/4" BSP
18	54871	Boiler Shell Assembly
19	55723	Lagging Jacket



<b>Key No</b>	<b>Part No</b>	<b>Description</b>
1	54871	Boiler Shell Assy
2	PF-E-8-29	Back Nut 3/4"
3	54997	Steam Coil Assy
4	140309	Gasket
5	55369	Boiler End Plate
6	PF-E-8-28	Back Nut 1/2"
7	371034	PF-E-2-43 1/2"
8	39377	Union Special 10mm thread 1mm pitch
9	PF-E-14-35	Elbow Female/Male
10	SCM-E-13-39	Screw M6 x 25mm
11	PF-E-8-28	Back Nut 1/2"
12	55716	Washer - red mastic
13	WAM-E-8-28	Plain Washer M6
14	NUM-E-3-2	Nut M6
15	CL-E-2-19	Lagging Band
16	55723	Lagging Jacket
17	136930	Washer - Fibre
18	59703	Nut - Gland
19	138736	Thermostat
20	BF-E-2-28	Sleeve - Inulating 6mm
21	59702	Packing - Gland
22	140737	1/2" Steam Solenoid Valve
23	SCM-E-3-4	Screw M4 x 8mm
24	WAM-E-8-15	Plain Washer M4
25	136918	Bracket - Thermostat Support

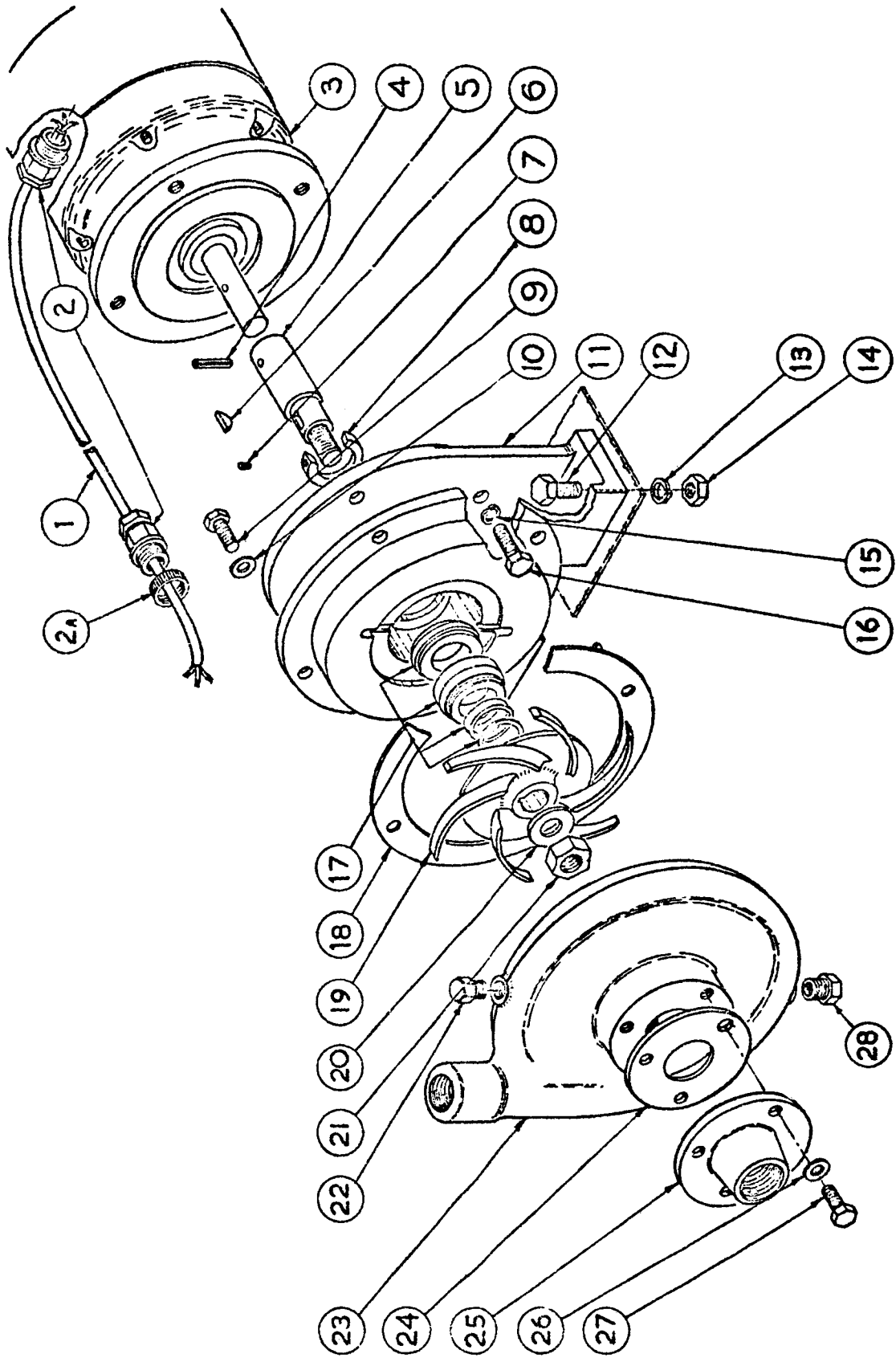
Rinse Pump & Motor Unit A.C. and D.C.





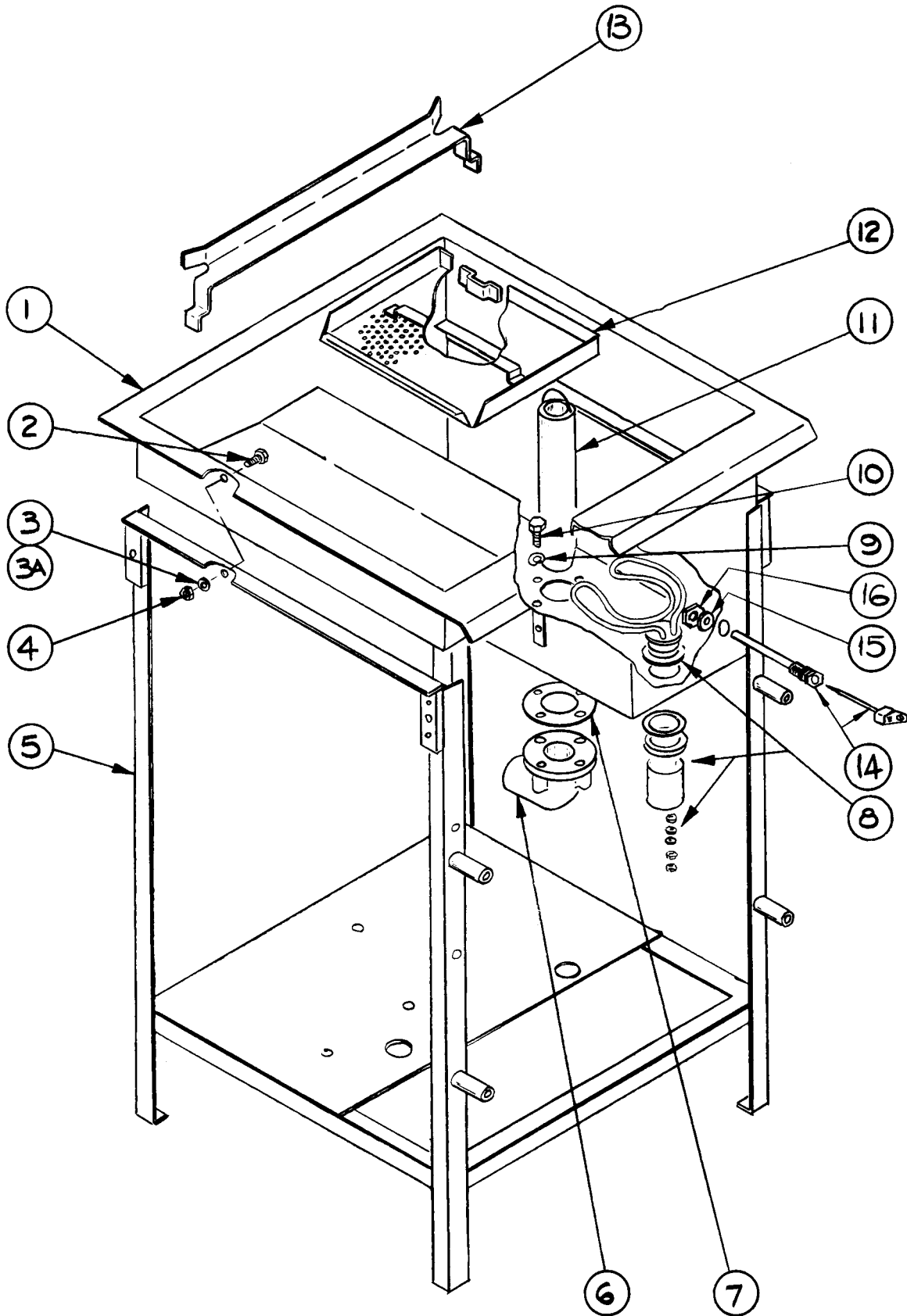
Key No	Part No	Description
1	CA-E-2-7	0.75MM 2 TRS 3-Core Flexible Cable
2	EPM-E-11-12	Cable Gland M20
2A	EPM-E-11-13	Locknut M20
3	137780-1	Motor Single Phase 220-240v 50Hz 1/4Hp
	137780-2	Motor Single Phase 220-240v 60Hz 1/4Hp
	137780-3	Motor Single Phase 200-220v 50Hz 1/4Hp
	137780-4	Motor Single Phase 200-220v 60Hz 1/4Hp
	137780-5	Motor Single Phase 110-120v 50Hz 1/4Hp
	137780-6	Motor Single Phase 110-120v 60Hz 1/4Hp
4	PG-E-1-19	Roll Pin 3/16" x 7/8" Long
5	56227	Motor Shaft Sleeve
6	WK-E-2-6	Woodruff Key
7	SC-E-5-10	Screw 1.1/4" Long
8	51088	Water Deflector
9	SC-E-9-14	Screw 5/16" x 3/4"
10	WA-E-5-30	Plain Washer 5/16"
11	56231	Motor & Pump Support
12	SCM-E-7-31	Screw M10 x 30mm
13	LWM-E-4-2	Lockwasher M10
14	NUM-E-4-1	Nut M10
15	LW-E-3-14	Lockwasher 5/16"
16	SC-E-9-26	Screw 5/16" x 1" Long
17	135811	Cyclam Seal Assy 22mm
18	140295	Gasket
19	56196-1	Impeller ( 50 Cycle & D.C )
	56196-2	Impeller ( 60 Cycles )
	56196-3	Impeller ( 3000rpm Motor )
20	WA-E-4-34	Plain Washer 1/2"
21	NU-E-22	Nut 1/2"
22	136048-1	Drain Plug 1/8" BSP

Rinse Pump & Motor Unit A.C. and D.C.



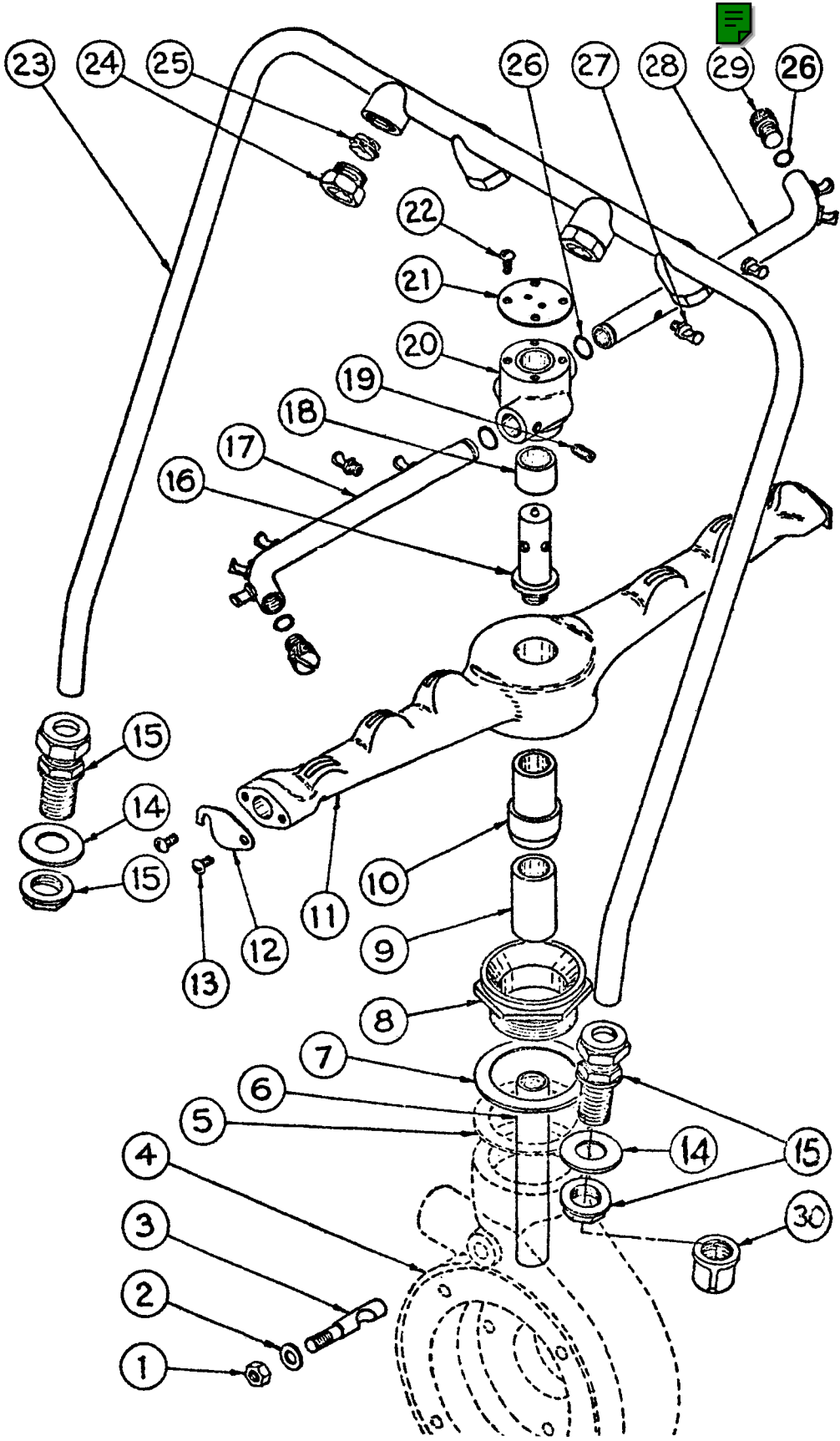


<b>Key No</b>	<b>Part No</b>	<b>Description</b>
23	56215	Rinse Pump Volute
24	51875	Gasket
25	51753	Pipe Flange
26	WA-E-2-13	Plain Washer 5/16"
27	SC-E-9-14	Screw 18unc x 3/4" Long



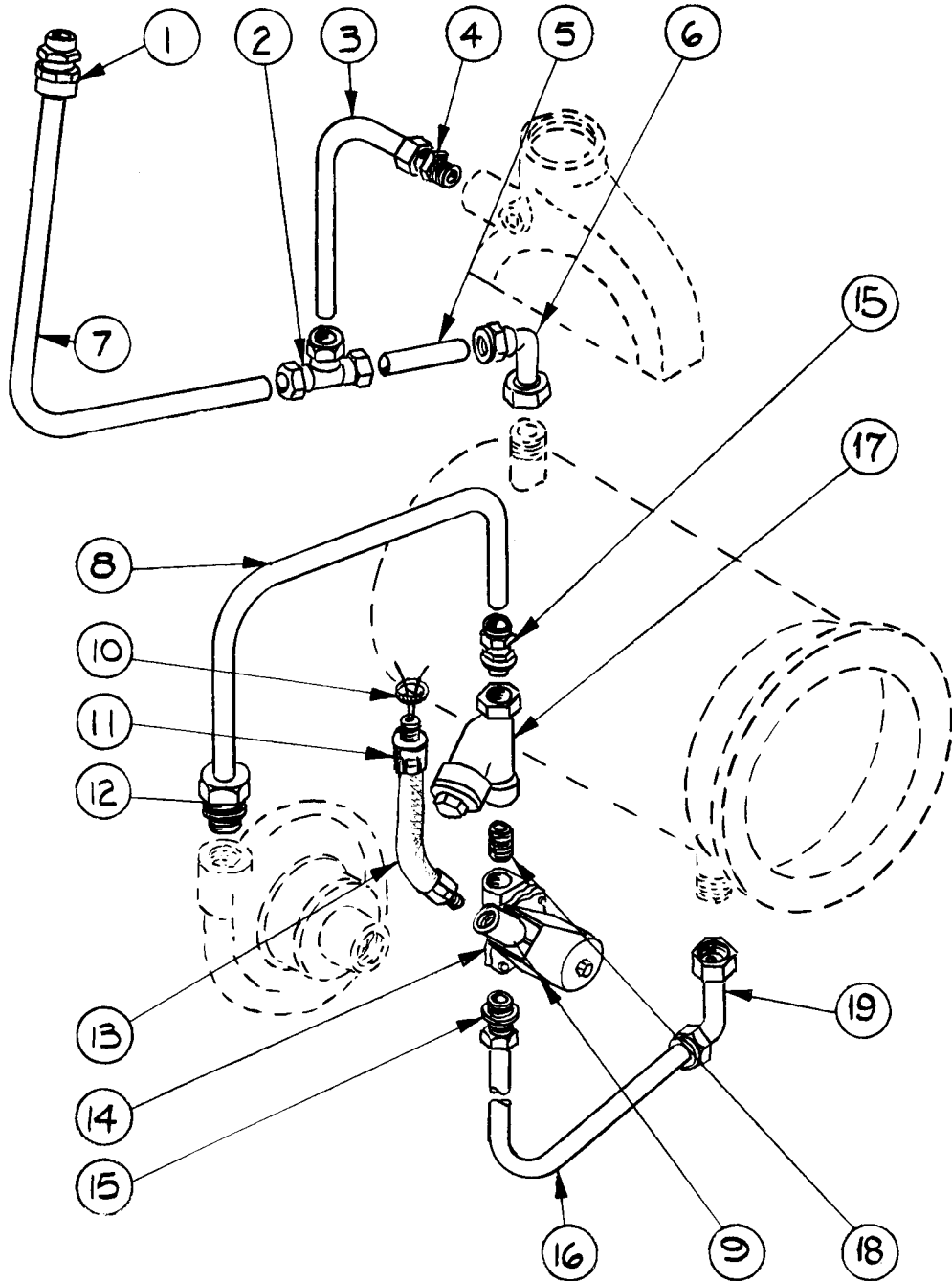
<b>Key No</b>	<b>Part No</b>	<b>Description</b>
1	138030	Wash Tank Assy
2	SCM-E-13-24	Screw M6 x 16mm
3	WAM-E-8-28	Washer M6
3A	LWM-E-3-1	Lockwasher M6
4	NUM-E-3-2	Nut M6
5	137396	Supporting Frame Assy
6	137408	Drain Flange
7	140290	Gasket - Drain Flange
8	56192-1 56192-2	Heater 1kW 230v Heater 1kW 110v
9	LWM-E-4-2	Lockwasher M10
10	SCM-E-15-13	M10 x 20mm
11	138038	Overflow Pipe
12	55470	Strainer Pan Assy
13	138171	Rack Track
14	142335	Immersion Thermostat c/w Pocket,
15	WA-E-7-20	Washer - Red Mastic
16	PF-E-8-28	Back Nut BSP 1/2"
NB	55957	Side Flaps S/S

## Internal Wash and Rinse System



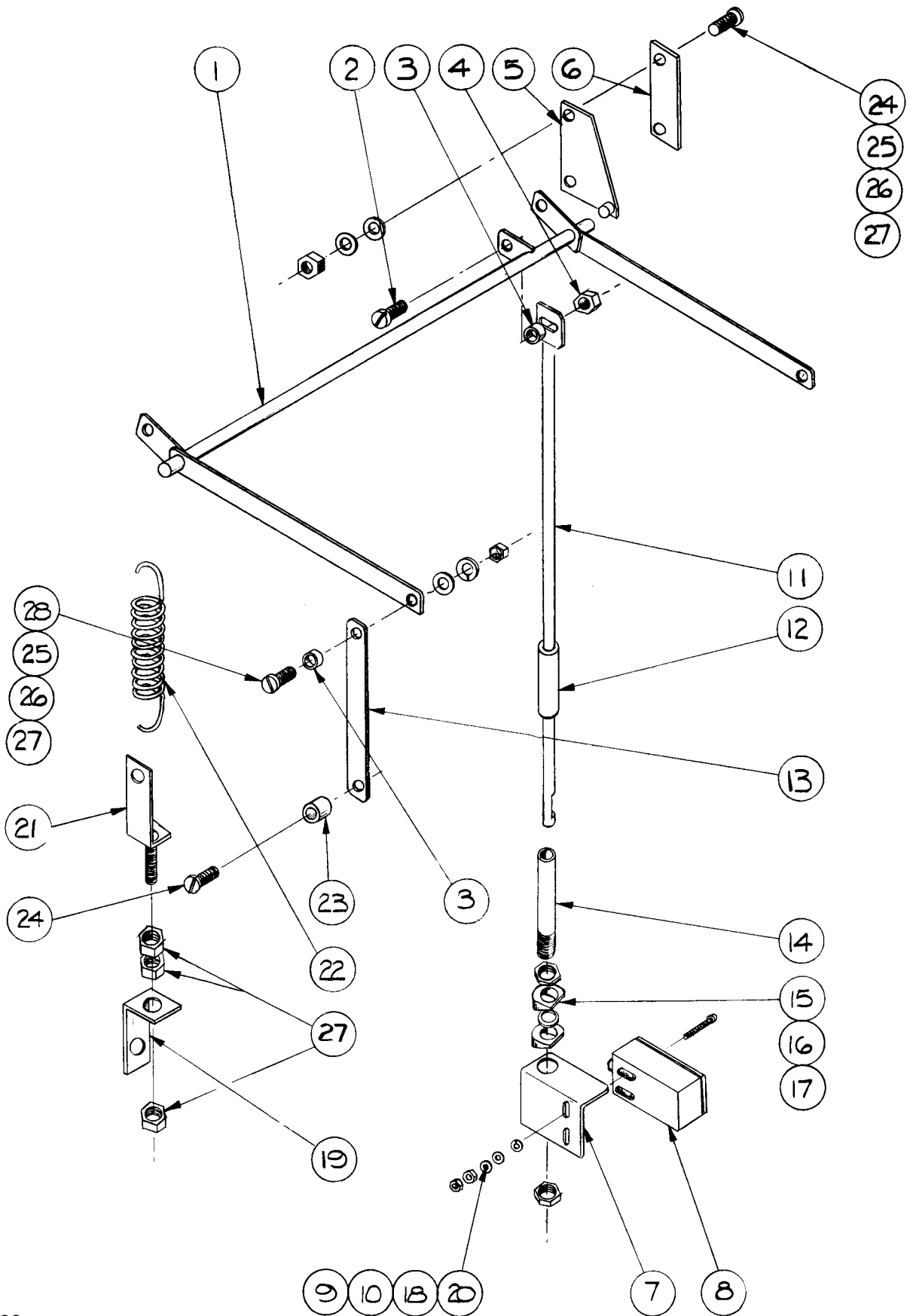


Key No	Part No	Description
1	NUM-E-3-7	Nut M8
2	WAM-E-8-38	Washer M8
3	137403	Retaining Pin - Bearing
4	137400	Pump Shell
5	140289	Washer
6	53765	Bearing Pin - Wash Arm
7	21104	Washer
8	53764	Pump Discharge
9	53768	Spacer - Wash Arm
10	53767	Bearing - Wash Arm
11	137405	Wash Arm
12	53774	End Cover - Wash Arm
13	SCM-E-12-6	Screw M5 x 12mm
14	WA-E-3-16	Washer
15	136055	Coupling
16	53922	Bearing Pin - Rinse Arm
17	55207	Rinse Arm ( 5 nozzle ) NB , Rinse Arm Assy, 137406
18	CB-E-2-7	Bearing 3/4" x 1" x 11/16" Long
19	SCM-E-13-14	Screw M6 x 12mm
20	137407	Body - Rinse Arm
21	53380	Pivot Bearing Plate
22	SCM-E-12-19	Screw M5 x 10mm
23	138050	Upper Rinse Pipe Assembly
24	53804	Top - Rinse Nozzle
25	53806	Core - Rinse Nozzle
26	67500-30	O' Ring - Rinse Arm
27	51604	Rinse Nozzle
28	55206	Rinse Arm ( 4 nozzle ) NB , Rinse Arm Assy, 137406
30	PF-E-8-43	BSP Cap 1/2"

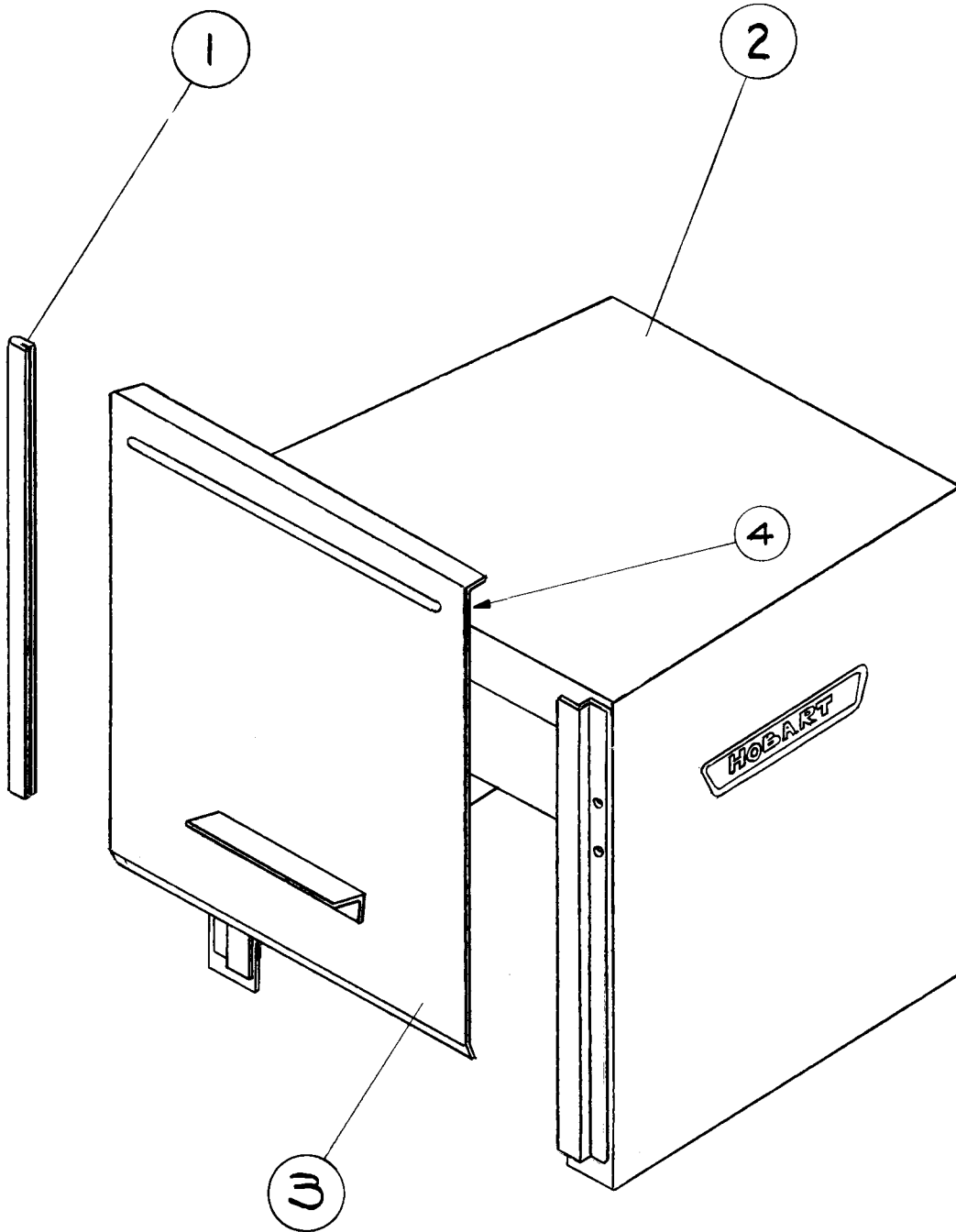


Key No	Part No	Description
1	PFM-E-9-13	Coupling
2	PFM-E-9-20	Tee 15mm
3	136630	Lower Rinse Supply Pipe
4	PFM-E-10-8	Coupling 3/8" BSP x 15mm
5	56761-46	Boiler Outlet Pipe
6	PFM-E-9-23	Tap Adaptor 3/4" x 15mm Swivel
7	136631	Upper Rinse Supply Pipe
8	136627	Outlet Pipe - Rinse Pump
9	EPM-E-11-19	Cable Gland
10	EPM-E-11-13	Lock Ring 20mm
11	EPM-E-12-12	Cable Gland M20
12	PFM-E-10-10	Coupling 3/4" BSP Male x 15mm
13	CA-E-2-1	Cable ( 120mm )
14	59486-1 59486-4 59486-6 59486-8	Solenoid Valve 1/2" 230v 50Hz Solenoid Valve 1/2" 115v 60Hz Solenoid Valve 1/2" 115v 50Hz Solenoid Valve 1/2" 230v 60Hz
15	PFM-E-9-6	Coupling 1/2" x 15mm
16	138379	Boiler Inlet Pipe
17	PF-E-2-6	1/2" BSP Line Strainer
18	PF-E-8-6	1/2" BSP x 1.1/8" Nipple
19	PFM-E-9-23	Tap Adaptor 3/4" x 15mm Swivel
NOTE:	138378	Rinse Pump / Boiler Pipework Assy
NOTE:	138377	Rinse Supply Pipework Assy

## Door Lift Mechanism

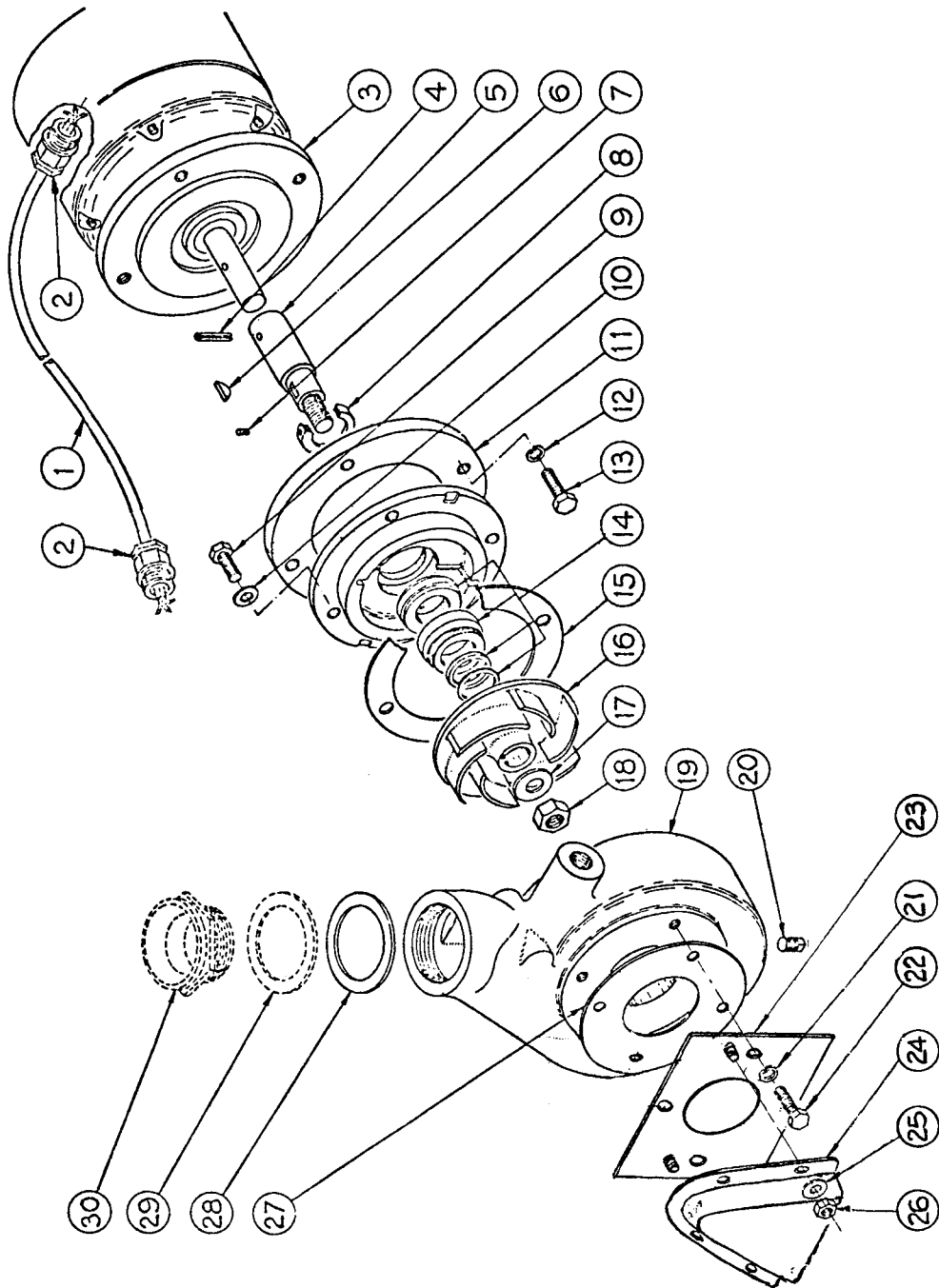


<b>Key No</b>	<b>Part No</b>	<b>Description</b>
1	138074	Door Lift Mechanism
2	SCM-E-13-14	Screw M6 x 16mm
3	138082	Spacer Door Link
4	NUM-E-3-9	Nut M6
5	138084-1 138084-2	Support Pivot Assy L.H Support Pivot Assy R.H
6	138080	Spacer Pivot Support
7	138060	Angle Bracket
8	140686	Switch
9	SCM-E-11-47	Screw M4 x 40mm
10	LWM-E-2-2	Lockwasher M4
11	138087	Rod Assy Actuator
12	227016	Jacket
13	138064	Door Link
14	138068	Bearing
15	NUM-E-4-26	Nut M12 Thin Type
16	137910	Wedge Washer
17	WAM-E-8-44	Washer M12
18	WAM-E-8-14	Washer M6 Plain
19	138081	Angle - Spring Support
20	NUM-E-2-6	Nut M4
21	138093	Bracket Assy
22	138078	Spring
23	119048	Spacer Door Link
24	SCM-E-13-23	Screw M6 x 16mm
25	WAM-E-8-28	Washer M6 Plain
26	LWM-E-3-1	Lockwasher M6
27	NUM-E-3-2	Nut M6
28	SCM-E-13-28	Screw M6 x 16mm





<b>Key No</b>	<b>Part No</b>	<b>Description</b>
1	112378-44	Door Slide
2	138085	Chamber Assy
3	138076	Door Assy
4	138088	Door Stop



Key No	Part No	Description
1	CA-E-2-7	Flexible Cable 610mm
2	EPM-E-11-12	Cable Gland M20
2A	EPM-E-11-13	Locknut M20
3	137780-1	Motor 220/240v 50Hz 1/4HP
	137780-2	Motor 220/240v 60Hz 1/4HP
	137780-3	Motor 200/220v 50Hz 1/4HP
	137780-4	Motor 200/220v 60Hz 1/4HP
	137780-5	Motor 110/120v 50Hz 1/4HP
	137780-6	Motor 110/120v 60Hz 1/4HP
4	PG-E-1-19	Roll Pin 3/16" x 7/8" Long
5	56227	Motor Shaft Sleeve
6	WK-E-2-6	Woodruff Key
7	SC-E-5-10	Screw 2BA x 1/4" Long
8	51088	Water Deflector
9	SC-E-9-14	Screw 5/16" UNC x 3/4" Long
10	WA-E-5-30	5/16" Washer
11	53749	Motor Support
12	LW-E-3-14	Lockwasher 5/16"
13	SC-E-9-26	Screw 5/16"UNC x 1" Long
14	135811	Seal Assy 22mm
15	104063	Gasket
16	53758-1	Impellor - 50Hz
	53758-2	Impellor - 60Hz
17	WA-E-4-34	Washer 1/2" Plain
18	NU-E-3-22	Nut 1/2" UNF
19	137400	Pump Shell
20	136048-1	Drain Plug 1/8" BSP
21	LWM-E-3-27	Lockwasher M8
22	SCM-E-14-24	Screw M8 x 25mm
23	138058	Plate
24	118960	Intake - Pump
25	WAM-E-8-34	Lockwasher



<b>Key No</b>	<b>Part No</b>	<b>Description</b>
26	NUM-E-3-35	Nut
27	140304	Gasket - Pump Intake
28	140289	Gasket
29	21104	Washer
30	53764	Pump Discharge

# SM8E DISHWASHER

## SPECIFICATION

**Design.** Automatic, time controlled, door type dishwasher, for straight through operation with dishtabing or side flaps, and with built-in rinse water heater. Throughput up to 45 racks per hour.

**Rack size.** 406 x 406 mm

**Construction.** Stainless steel (18/8 chromium/nickel, type 304) wash chamber, doors, tank, front panels, and rack tracks, base frame – mild steel.

**Wash System.** Lower revolving wash arm with large unrestricted nozzles.

**Rinse System.** Fixed upper rinse sprays and revolving lower rinse arm (which can be removed without tools), fitted with stainless steel rinse jets.

**Time Cycle:** Automatic time control with 50 seconds wash and 10 seconds rinse – total 1 minute.

**Wash Pump.** Integral with motor to ensure true alignment and fitted with Ni-Resist impeller and packless seal with carbon and ceramic faces. 0.18 kW continuously rated, drip-proof, ball-bearing motor.

**Wash Tank Heating.** The wash tank is heated by thermostatically controlled 1 kW immersion heater irrespective of the method of heating rinse water.

**Rinse Water Heater.** Rinse water can be heated by electricity, steam or gas as follows:

**ELECTRICITY.** Polystyrene lagged copper cylinder housed within base of machine, fitted with thermostatically controlled 6 kW immersion heaters if specified for hot water connection (40°C min.) or 8.5 kW when specified for cold water supply.

**STEAM.** Polystyrene lagged copper cylinder housed within the base of the machine and fitted with thermostatically controlled copper steam coil, complete with steam trap. Suitable for hot or cold water feed.

**GAS:** Machine coupled to separate gas-fired boiler which can be located under dishtabing, details available on request. Suitable for hot or cold feed.

**Electrical Specifications.** All component wiring is brought to a terminal block in control box for single point of connection. Standard machines are wired for 240/50/1 or 415/50/3 (four wire). For other voltages etc. consult Hobart. Where neutral is not available for three phase machines, a transformer can be supplied at extra cost.

**Strainer System.** Two removable stainless steel strainer pans designed to retain food soil.

**Drain and Overflow.** 1¼" B.S.P. gravity drain with stand pipe and overflow.

**Thermometers.** Separate dial type thermometers provided for wash and rinse.

**Door Interlock.** Electrical interlock stops machine whenever doors are open.

**Standard Equipment.** Two plate racks, one cup rack, one cup rack cover and one cutlery basket, installation and operating instructions.

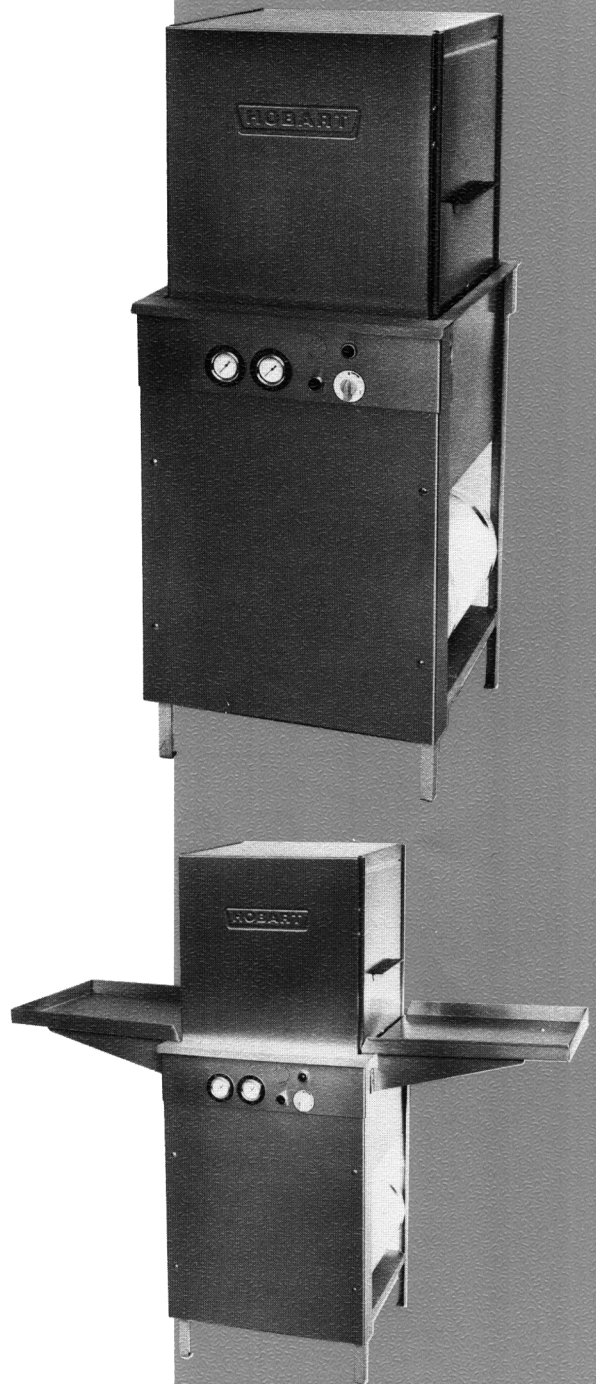
## OPTIONAL EXTRAS

**Rinse Water Booster Pump.** Required where pressure of water supply is less than 12 m head (see installation data overleaf). Pump is fully built into base of machine at our Factory. Specification as for wash pump and motor.

**Side Panels.** Available in 1.2 mm stainless steel, to enclose both sides of machine.

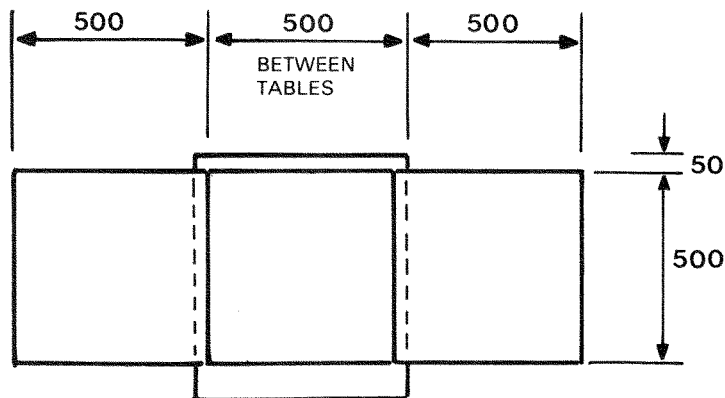
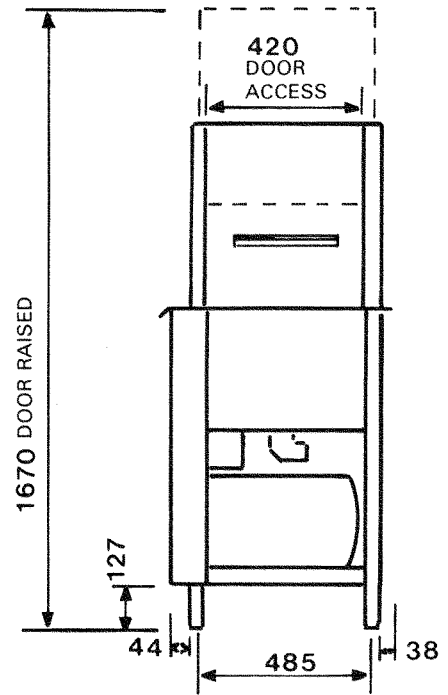
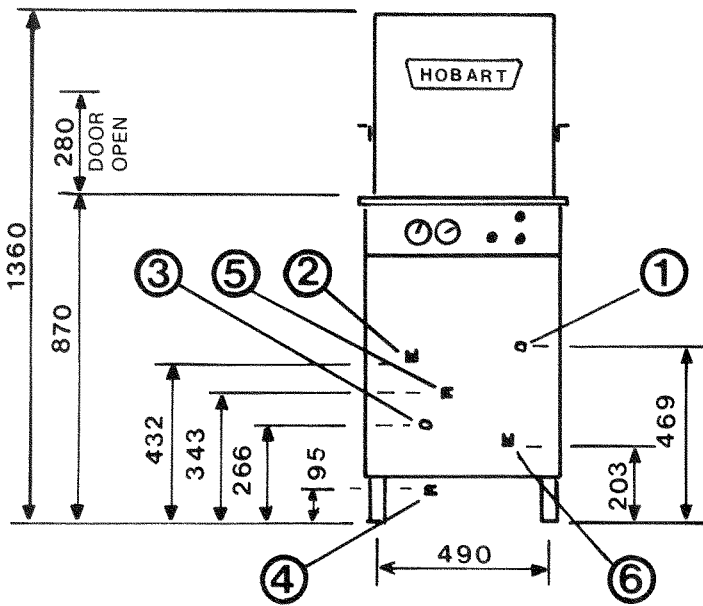
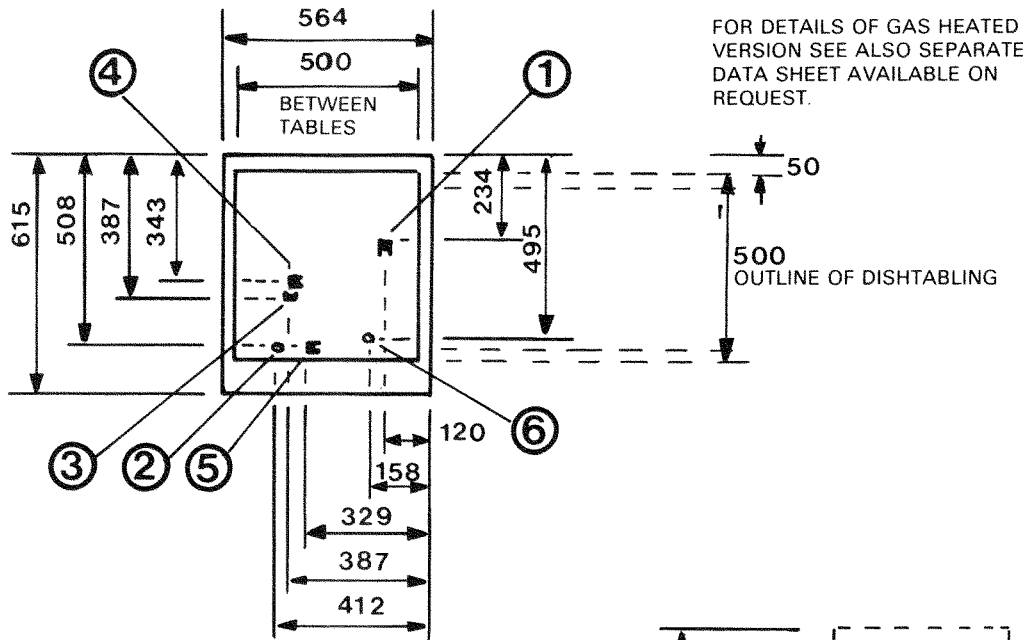
**Purpose-made Dishtabing and Side Flaps.** Please see back page.

(In view of the Company's policy of continual improvement, specifications may be changed without notice).



SM8E with Side Flaps

# DETAILS AND DIMENSIONS



ELECTRICAL, WATER AND DRAIN INSTALLATION MUST BE MADE IN ACCORDANCE WITH ALL NATIONAL AND LOCAL CODES AND BY-LAWS.

## ① DRAIN

Connection 1¼ in. B.S.P. Female. During operation of the dishwasher, the waste discharges up to 114 litre per hour at a peak flow-rate of 14 litre/min. When the machine wash tank is emptied, normally at the end of each wash-up period, but occasionally more frequently, a total of 21 litres is discharged at a peak flow rate of 100 litre per minute. Discharge is by gravity.

The installer should supply and fit a suitable trap, and pipe-work should be able to withstand hot water with detergent up to approx. 90°C. Do not reduce pipe size below 1¼ in. (35 mm).

## ② ELECTRICAL

Connection via opening in control box suitable for 20 mm O.D. conduit (or cable gland) to terminal block inside. Installer is to supply and fix a suitable isolator or circuit breaker adjacent to machine. Standard machines are available for 415/50/3, four-wire, or 240/50/1. Other voltages available to special order. Motors: Wash Pump 0.18 kW, Rinse Pump (when fitted) 0.18 kW.

RINSE HEATING	TOTAL ELECTRICAL LOAD*	VOLTS/PHASE	FULL LOAD CURRENT	RECOMMENDED FUSE RATING
Electric 6 kW (hot water feed)	7.2 kW	415/3 + N 240/1	14 Amp 34 Amp	3 x 20 Amp 1 x 40 Amp
Electric 8.5 kW (cold water feed)	9.7 kW 9.7 kW	415/3 + N 240/1	19 Amp 44 Amp	3 x 25 Amp 1 x 50 Amp
Steam	1.2 kW	415/3 + N 240/1	5 Amp 7 Amp	3 x 10 Amp 1 x 10 Amp
Gas	1.5 kW	415/3 + N 240/1	5 Amp 10 Amp	3 x 10 Amp 1 x 20 Amp

\*Optional rinse booster pump does not affect total electrical load.

## ③ WATER INLET (Machine without rinse booster pump)

Connection: Compression fitting for 28 mm O.D. tubing. The machine requires a single water connection, serving wash tank fill and final rinse, and is available with different heat inputs for connection to hot or cold water, which must be specified at the time of ordering. The correct water pressure is essential to the satisfactory operation of the machine. Conditions which could lead to an intermittent starvation or pressure fluctuation must be avoided and it is preferable to connect the machine to an independent down service. Water must come from storage, not mains, in the United Kingdom. Where insufficient pressure is available, a rinse booster pump should be specified at time of order (see 4 below).

Installer is to supply and fit isolating valve, and regulating plug cock or flow control, if necessary, adjacent to machine, in a hard water area (over 8° Clark/115 ppm), a base exchange type softener should be installed.

Water consumption per cycle:	2.5 litre
Water consumption per hour (max):	115 litre
Flow rate:	0.25 litre/sec
Maximum head:	21 m
Minimum head:	12 m
Minimum pipe size:	28 mm
Wash tank capacity:	62 litre

## ④ WATER INLET

(Machine with rinse booster pump)

**Connection:**  
1" B.S.P. female

Maximum head:	12 m
Minimum head: (from floor level)	2.75 m
Recommended pipe sizes: (for most average conditions)	2.75 to 4 m head — 42 mm 4 to 6 m head — 35 mm Over 6 metres — 28 mm

Details otherwise as for 3 above.

## ⑤ STEAM INLET (Only for machines with steam heating)

Connection: ½ in. B.S.P. female. Pressure range: 0.7 to 2.7 bar. Consumption: 14-18 kg/hr maximum.

## ⑥ CONDENSATE OUTLET (Only with steam heating)

Connection: ½ in. B.S.P. female. Steam trap fitted. Pipe to drain or boiler return as required.

### GENERAL

Installation work should be in accordance with National and Local Codes. Union fittings should be used at all connec-

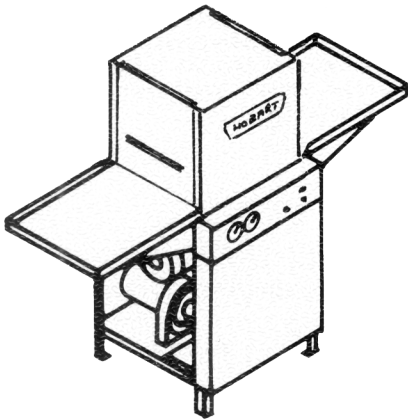
tions to the machine. The machine is designed so that any expansion of water due to overheating in the rinse water cylinder is relieved through the rinse jets of the machine and an open vent or pressure relief valve is not required.

Overseas, advice on installation to suit local conditions can be obtained from relevant Hobart Branch or Agent. Water connection should be made to hot or cold water supply, according to machine specification. Water pressure should not exceed 2.4 bar, and ideally should be reduced to 1.4 bar. Below 1.4 bar a booster pump will be required.

## WEIGHTS AND PACKING

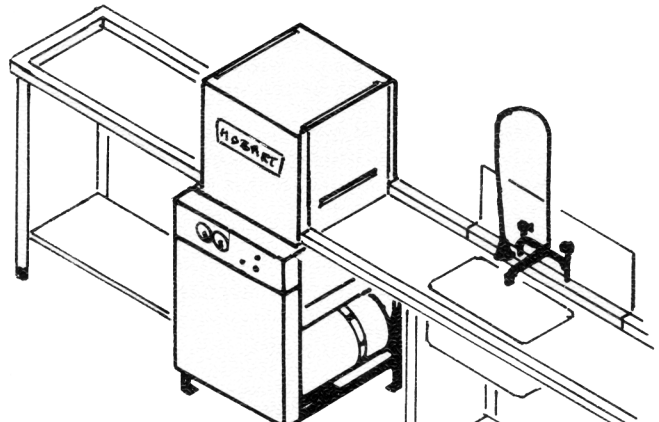
Gross weight of machine in operation 140 kg, gross weight shipped 154 kg, nett weight 102 kg. The machine is shipped packed in a carton and bolted to a

non-returnable wooden skid. Overall dimensions 800 x 670 x 1375 mm high. Cutlery basket is packed inside machine, other racks are shipped in separate carton.



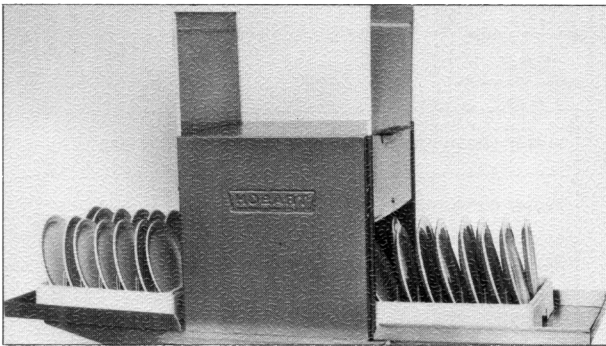
### TABLE FLAPS

Designed to hold one dish-rack on either side of machine. Constructed in 1.5 mm stainless steel.

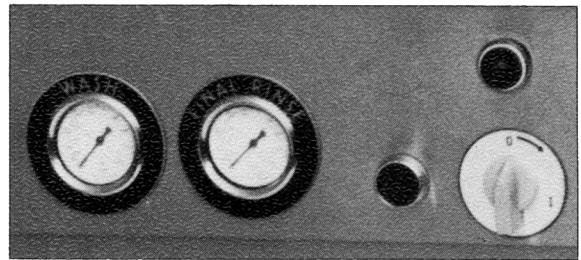


### PURPOSE BUILT DISHTABLING

Made to measure with 1.5 mm stainless steel work surfaces with raised boxed edges, for fitting to each side of machine. Can incorporate sinks, waste disposers, shelving and many other features. Free planning service and quotations on request.



Impressively smooth and light to open.



Extreme simplicity of operation - to start-up the machine it is only necessary to turn the single control switch to "Fill", and close the machine door.

### RACKS FOR SM SERIES DISHWASHER

**Plate Rack E1709:** Plastic outer rack with removable, peg type PVC coated wire insert, designed for washing plates, saucers, small trays. Holds 8 x 10" dinner plates, or 12 side plates or saucers. Insert (R59627) available separately. Gap between pegs approx. 45 mm.

Overall: 406 x 406 x 115 mm high  
 Inside: 365 x 365 x 85 mm high      Weight: 2.2 kg

**Cup Rack RKE-1-11:** All plastic, open type cup rack. Holds about 16 average size cups or tumblers. Can also be used for small bowls.

Overall: 406 x 406 x 83 mm high  
 Inside: 365 x 365 x 65 mm high      Weight: 0.8 kg

**Cutlery Basket E1875:** Four compartment, vertical type; holds about 65 mixed pieces.

Overall: 230 x 222 x 245 mm high      Weight: 1.0 kg

**Cup Cover S54532:** PVC coated wire mesh grid, to prevent movement of light cups and glasses during washing.

Overall: 380 x 380 x 8 mm deep      Weight: 0.9 kg



As continued product improvement is a policy of HOBART, specifications are subject to change without notice.

Ce catalogue n'est pas contractuel. HOBART se réserve le droit, et sans préavis, d'apporter toutes modifications ou améliorations à ses matériels.

HOBART behält sich das Recht vor, an allen Produkten technische Änderungen und Verbesserungen ohne Ankündigung vorzunehmen.

Voortdurende produktverbetring vormt een wezenlijk onderdeel van het beleid van HOBART. Specificaties kunnen zonder kennisgeving gewijzigd worden.