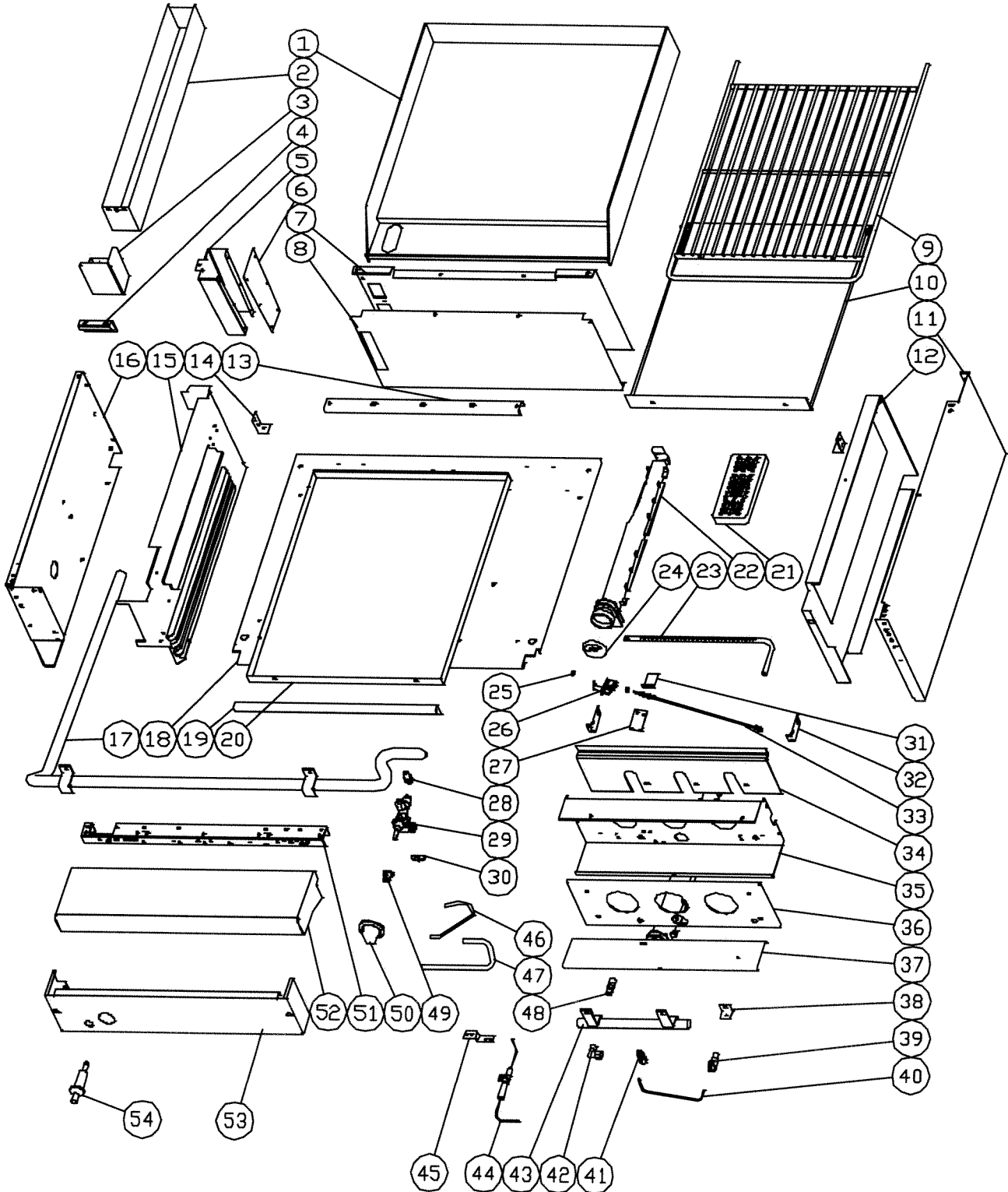


Manufactured from S/N 0604100142343



**GARLAND PARTS IDENTIFICATION**  
**GAS RAISED GRIDDLE BROILER MODELS ST282 - ST283 - S282 - S283**  
**MANUFACTURED FROM S/N 0604100142343**

| ITEM | PART #          | DESCRIPTION                             | ST282-ST283 |
|------|-----------------|---|-------------|
|      |                 |   | S282-S283   |
| 1    | 4519976         | Griddle Assembly                        | 1           |
| 2    | 1729501         | Grease Drawer 283                       | 1           |
| 3    | 3018100         | Handle Griddle Drawer                   | 1           |
| 4    | 1728802         | Grease Drawer Handle                    | 1           |
| 5    | 4520395         | Grease Chute Front                      | 1           |
| 6    | 4520396         | Grease Chute Back                       | 1           |
| 7    | 2705601         | Griddle Back Liner                      | 1           |
| 8    | 2706101         | Broiler Box Back                        | 1           |
| 9    | 1090600         | Broiler Rack - H283                     | 1           |
| 10   | 1090797         | Broil Rck Drip Shield                   | 1           |
| 11   | 3037400         | Broiler/Burner Box Side Rt Ss           | 1           |
| 12   | 1081999         | Broiler Side Liner Rt - H283            | 1           |
| 13   | 1085700         | Broiler Burner Rest - H283              | 1           |
| 14   | 1081905         | Griddle Burner Rest Support             | 2           |
| 15   | 1081997         | Broiler Side Liner Lt - H283            | 1           |
| 16   | 1084707         | Broiler Box Side Lt                     | 1           |
| 17   | 4519981         | Manifold Assembly                       | 1           |
| 18   | 1392200         | Bb Bottom H284                          | 1           |
| 19   | 1728825         | Drip Pan Handle St283/2                 | 1           |
| 20   | 1728824         | Drip Tray St283/2                       | 1           |
| 21   | 1091000         | Ceramic Radiant                         | 8           |
| 22   | 1090500         | Broiler Burner (G80)                    | 3           |
| 23   | 4519967         | Lighter Burner                          | 1           |
| 24   | 1028002         | Air Shutter                             | 3           |
| 25   | 2155202         | M8 X 1 Brass Nut                        | 2           |
| 26   | <b>4520037</b>  | <b>2Ch-1 Pilot Nat</b>                  | 1           |
|      | <b>4520393</b>  | <b>2Ch-1 Pilot Pro</b>                  | 1           |
| 27   | 4519977         | Pilot Mounting Bracket                  | 1           |
| 28   | 2198100         | 12mm Valve Connector (Oven)             | 1           |
| 29   | <b>2187099</b>  | <b>Flame Failure Valve Top</b>          | 1           |
| 30   | 4519980         | Flame Shield                            | 1           |
| 31   | G6809           | Gum Valve 1/4                           | 1           |
| 32   | 4519979         | Lighter Burner Mounting Bracket         | 2           |
| 33   | <b>2321901</b>  | <b>Thermocouple 16In</b>                | 1           |
| 34   | 2384500         | Broiler Burner Shield                   | 1           |
| 35   | 4519971         | Broiler Valve Shield                    | 1           |
| 36   | 4519970         | Heatshield Front                        | 2           |
| 37   | 3012100         | Sec. Bottom Heat Shield                 | 1           |
| 38   | 4519978         | Lighter Burner Injector Support Bracket | 1           |
| 39   | 4519966         | Lighter Burner Orifice                  | 1           |
| 40   | 4519983         | Tube Submanifold-Lighter Burner         | 1           |
| 41   | 1086199         | Gum Valve 1/8                           | 1           |
| 42   | G02352-1        | Elbow 3/8 Npt To 7/16Cc 69-7C           | 1           |
| 43   | 4519968         | Secondary Manifold Pipe Assy            | 1           |
| 44   | <b>G03151-2</b> | <b>Piezo Electrode-Use G03151-1</b>     | 1           |
| 45   | 4519993         | Electrode Mounting Bracket              | 1           |
| 46   | 4519984         | Tube Valve-Pilot                        | 1           |
| 47   | 4519982         | Tube Valve-Submanifold                  | 1           |

\* NOT ILLUSTRATED

**RECOMMENDED STOCK PARTS**

**GARLAND PARTS IDENTIFICATION**  
**GAS RAISED GRIDDLE BROILER MODELS ST282 - ST283 - S282 - S283**  
**MANUFACTURED FROM S/N 0604100142343**

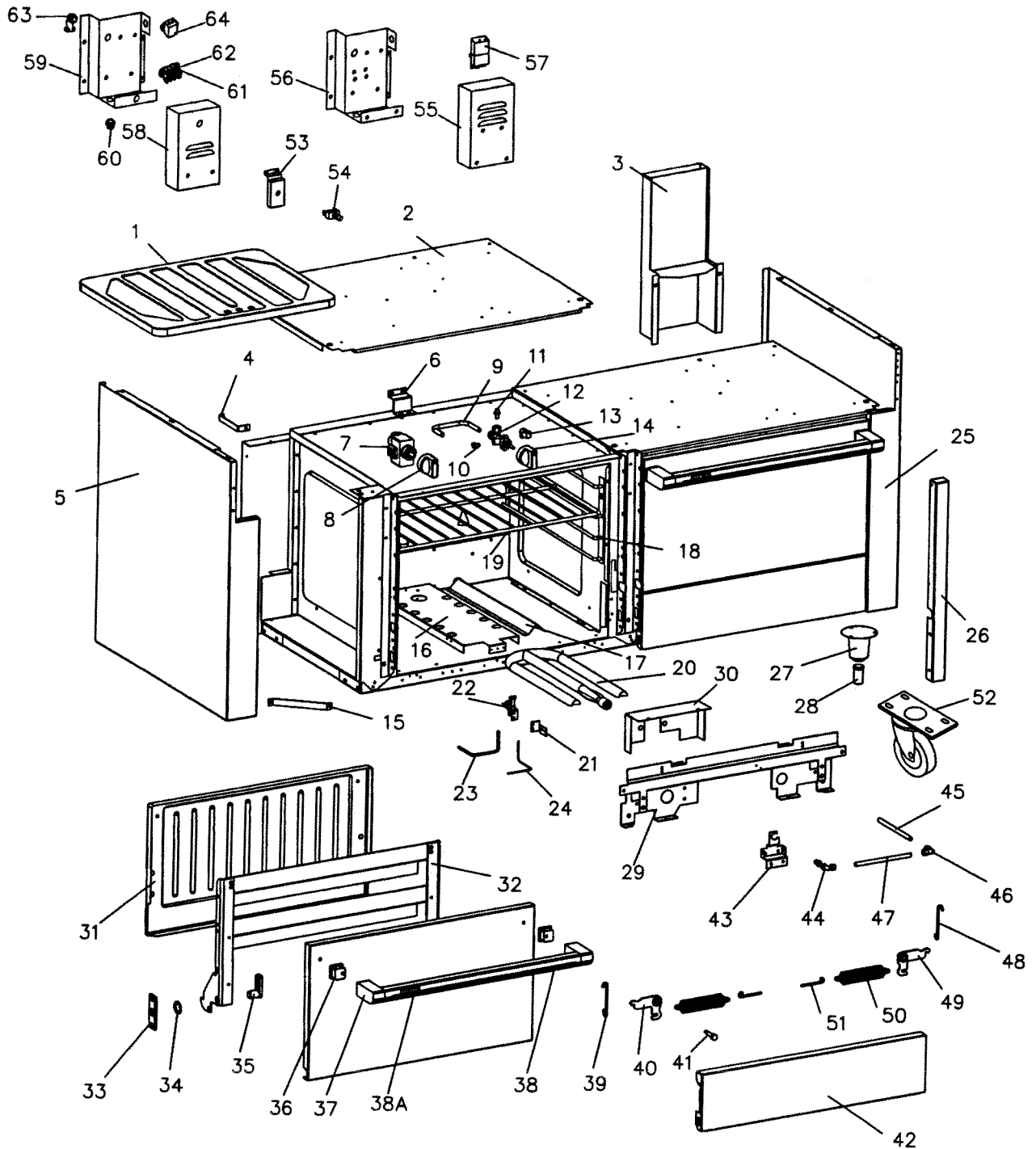
| ITEM | PART #         | DESCRIPTION                         | ST282-ST283 |
|------|----------------|-------------------------------------|-------------|
|      |                |                                     | S282-S283   |
| 48   | 21045XX        | Orifice Fitting Ce Nat (#50)        | 3           |
|      | 21045XX        | Orifice Fitting Ce Pro (#59)        | 3           |
|      | 21045XX        | Orifice Fitting Australia Nat (#50) | 3           |
|      | 21045XX        | Orifice Fitting Australia Pro (#59) | 3           |
|      | 21045XX        | Orifice Fitting Usa/Can Nat (#50)   | 3           |
|      | 21045XX        | Orifice Fitting Usa/Can Pro (#59)   | 3           |
| 49   | 3043202        | Hub                                 | 1           |
| 50   | 3043100        | Knob Handle                         | 1           |
| 51   | 1729601        | Frt Channel 24In - H28              | 1           |
| 52   | 4519972        | Broiler Front Rail                  | 1           |
| 53   | 4519969        | Upper Control Panel                 | 1           |
| 54   | <b>1309201</b> | <b>Piezo Igniter #1244-41</b>       | 1           |

\* NOT ILLUSTRATED

**RECOMMENDED STOCK PARTS**



# SENTRY OVEN SECTION MODEL ST283, ST283E



# GARLAND PARTS IDENTIFICATION

## Oven Section

### Model ST283, ST283E

| Item | Part number | Description                   | Quantity |
|------|-------------|-------------------------------|----------|
| 1    | 1438494     | Oven bottom assembly          | 2        |
| 2    | 1392200     | Burner box bottom             | 2        |
| 3    | 1005399     | flue body assembly            | 2        |
| 4    | 1364200     | Main back stiffener           | 2        |
| 5    | 1731303     | Body side LT SS               | 1        |
| 6    | 2437000     | FD bracket                    | 2        |
| 7    | G03145-048  | FD Control Assembly           | 2        |
| 8    | 2193491     | Dial FD Celsius T/STAT        | 2        |
|      | 2193485     | Dial FD Fahrenheit T/STAT     | 2        |
| 9    | 2379800     | Valve to FD tube              | 2        |
| 10   | 1070000     | Compression nut               | 2        |
| 11   | 2198100     | Valve fitting 12 mm           | 2        |
| 12   | 2513399     | Oven valve Assembly           | 2        |
| 13   | G03674-2    | Valve pilot 3/16"Angle 90 deg | 2        |
| 14   | 2193486     | Oven valve dial               | 2        |
| 15   | 1081300     | Side rear brace               | 2        |
| 16   | 2298500     | Oven burner rest              | 2        |
| 17   | 1391300     | Tube shield                   | 3        |
| 18   | 2297700     | Oven rack assembly R/h        | 2        |
|      | 2297701     | Oven rack assembly L/h        | 2        |
| 19   | 2301200     | Oven rack                     | 2        |
| 20   | 2378700     | S280 steel burner             | 2        |
| 21   | 2378401     | Pilot brackett                | 2        |
| 22   | 2200700     | Pilot assy                    | 2        |
| 23   | 2380000     | Sentry coupling to Pilot tube | 2        |
| 24   | 2200601     | 60" thermocouple              | 2        |
| 25   | 1605003     | Broiler body side RT S/S      | 1        |
| 26   | 1081506     | Center column                 | 1        |
| 27   | 1027600     | Leg retainer plated 6"(NSF)   | 4        |
|      | 2026299     | Flanged Leg retainer assembly | 4        |
| 28   | 1150502     | Bullet leg(NSF)               | 4        |
|      | 2393999     | Flanged Leg Assembly          | 4        |
| 29   | 1082001     | Lower front plate             | 2        |
| 30   | 2298600     | Front air shield              | 2        |
| 31   | 1439796     | Oven door linig enameled      | 2        |
| 32   | G03984-03-8 | Oven door assembly            | 2        |
| 33   | 1083001     | Trunion support               | 4        |
| 34   | 1082700     | Harness ring                  | 4        |
| 35   | 1082500     | Oven door trunion             | 4        |
| 36   | 2377300     | Handle end plastic insert     | 4        |
| 37   | 2194900     | Door handle end RT            | 2        |
|      | 2194901     | Door handle end LT            | 2        |
| 38   | 2193100     | Door handle bar               | 2        |
| 39   | 1082803     | Hinge link (left)             | 2        |
| 40   | 1082198     | Bell crank (left)             | 2        |
| 41   | 1082200     | Bell crank bolt               | 4        |
| 42   | 2376701     | Kick panel                    | 2        |

# GARLAND PARTS IDENTIFICATION

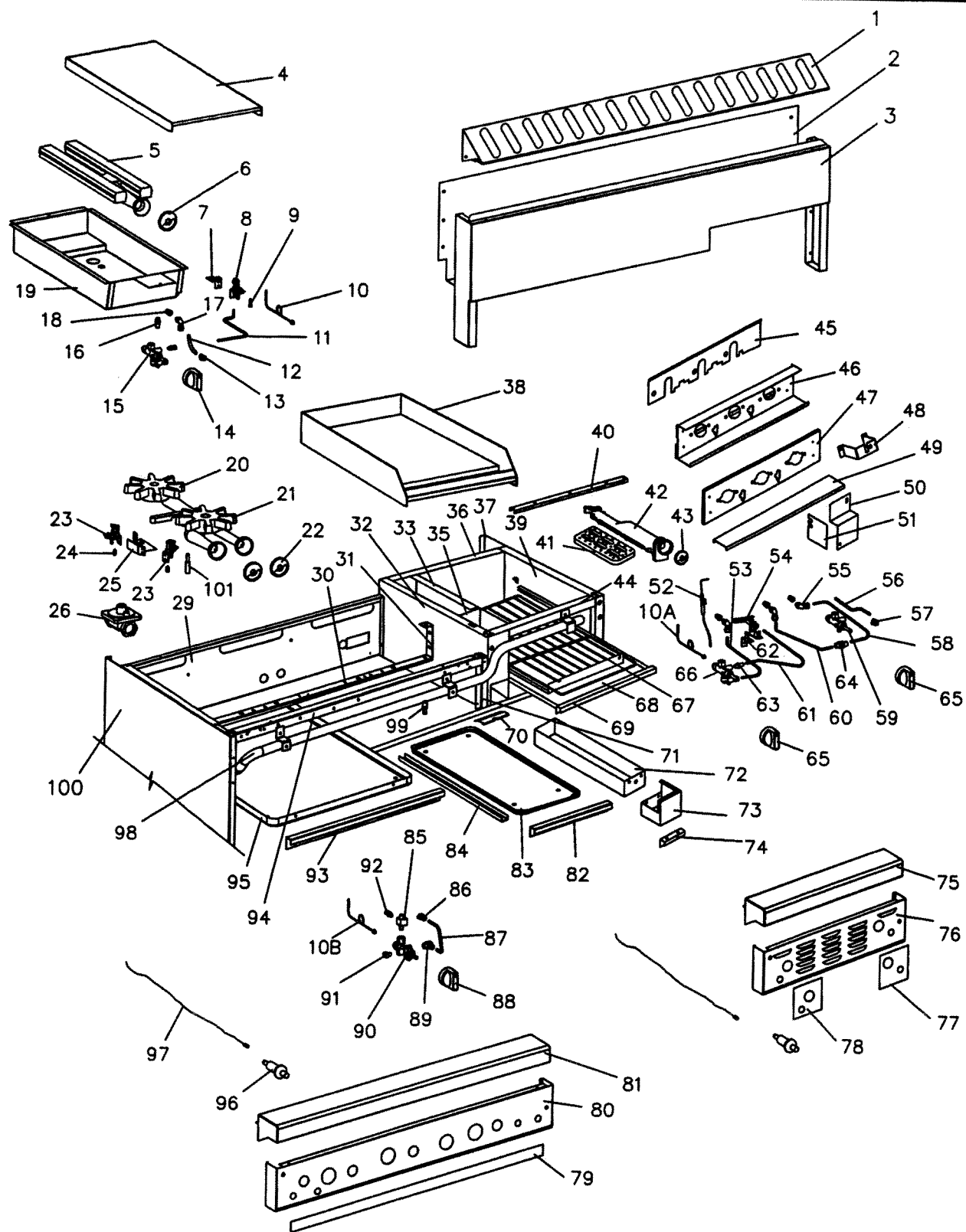
## Oven Section

### Model ST283, ST283E

| Item                             | Part number | Description                            | Quantity             |                        |
|----------------------------------|-------------|--|----------------------|------------------------|
| 43                               | 1361000     | Orifice bracket                        | 2                    |                        |
| 44                               | 22701xx     | Orifice fitting(Specify gas)           | 2                    |                        |
| 45                               | 1439300     | Oven tubing left                       | 1                    |                        |
|                                  | 1439400     | Oven tubing right                      | 1                    |                        |
| 46                               | 1313800     | Elbow 90 deg 7/16 x 7/16               | 2                    |                        |
| 47                               | 1392500     | 7/16 orifice tube                      | 2                    |                        |
| 48                               | 1082802     | Hinge link (right)                     | 2                    |                        |
| 49                               | 1082199     | Bell crank (right)                     | 2                    |                        |
| 50                               | 1005800     | Spring                                 | 4                    |                        |
| 51                               | 9004701     | Oven door spring hook                  | 4                    |                        |
| 52                               | 1027800     | Swivel caster less brake               | 2                    |                        |
|                                  | 1027801     | Swivel caster with brake               | 2                    |                        |
|                                  | 2063700     | Swivel caster less brake (UK)          | 2                    |                        |
|                                  | 2063701     | Swivel caster with brake (UK)          | 2                    |                        |
| <b>Electronic ignition parts</b> |             |  | <b>ST283/ST283-1</b> | <b>ST283-2/ST283-3</b> |
| 53                               | 2408800     | Spark ignition bracket                 | 1                    | 1                      |
| 54                               | G03053-1    | Momentary switch                       | 1                    | 1                      |
| 55                               | 2380900     | Spark ignition cover                   | 1                    | 1                      |
| 56                               | 2380800     | spark ignition housing                 | 1                    | 1                      |
| 57                               | 2144000     | Spark generator 4 outlets 240V         | 2                    | 2                      |
|                                  | 2144001     | Spark generator 2 outlets 240V         | 1                    |                        |
|                                  | 2144002     | Spark generator 4 outlets 120V         | 2                    | 2                      |
|                                  | 2144003     | Spark generator 2 outlets 120V         | 1                    |                        |
| 58                               | 2566500     | Spark ignition cover                   | 1                    | 1                      |
| 59                               | 2566600     | spark ignition housing                 | 1                    | 1                      |
| 60                               | G01497-1    | BX connector straight 3/8"             | 1                    | 1                      |
| 61                               | 50069       | Sectional terminal block #5125         | 3                    | 3                      |
| 62                               | 50070       | Sectional terminal end #5130           | 1                    | 1                      |
| 63                               | 1028500     | Connector 3/8" 90 deg Romex            | 1                    | 1                      |
| 64                               | 2533200     | EMI filter FN612-3/06(240V model only) | 1                    | 1                      |



# SENTRY OPEN/HOT TOP SECTION AND RAISED GRIDDLE/BROILER MODEL ST282, ST283, ST282E, ST283E



# GARLAND PARTS IDENTIFICATION

Top Section  
Model St283 St282

| Item | Part number | Description                               | ST283 | ST282 |
|------|-------------|---|-------|-------|
| 1    | 2374303     | Backguard top                             | 1     | 1     |
| 2    | 2374209     | Backguard back                            | 1     | 1     |
| 3    | 3013799     | Backguard front assembly                  | 1     | 1     |
| 10A  | 2321901     | 16" thermocouple                          | 2     | 2     |
|      | 2155202     | M8 X 1" Brass Nut                         | 4     | 4     |
| 26   | 2525200     | Pressure regulator J78R (NAT)             | 1     | 1     |
|      | 2525300     | Regulator 9" - 13.5" J1105C-0 (PRO)       | 1     | 1     |
| 29   | 1396504     | Burner box back 36 "                      | 1     | 1     |
| 30   | 2354400     | Burner rest                               | 1     | 1     |
| 31   | 1084200     | Burner rest support                       | 2     | 2     |
| 32   | 1084707     | Broiler box side                          | 1     | 1     |
| 33   | 1081997     | Griddle LT side assy                      | 1     | 1     |
| 35   | 2404300     | Grease chute front                        | 1     | 1     |
|      | 2404400     | Grease chute back                         | 1     | 1     |
| 36   | 2705601     | Griddle back liner                        | 1     | 1     |
|      | 2706101     | Broiler box back PX                       | 1     | 1     |
| 37   | 1605003     | Broiler body side RT S/S                  | 1     | 1     |
| 38   | 1727596     | Griddle ASSy 24" h283 SS                  | 1     | 1     |
| 39   | 1081999     | Griddle R/H side liner assy               | 1     | 1     |
| 40   | 1085700     | Griddle burner rest                       | 1     | 1     |
| 41   | 1091000     | Ceramic radiant                           | 8     | 8     |
| 42   | 1090500     | Griddle burner                            | 3     | 3     |
| 43   | 1028002     | air shutter                               | 3     | 3     |
| 44   | 1729601     | burner box front channel                  | 1     | 1     |
| 45   | 2384500     | burner box shield                         | 1     | 1     |
| 46   | 3011900     | Broiler box shield                        | 1     | 1     |
| 47   | 3012000     | front heat shield                         | 1     | 1     |
| 48   | G2640-1-8   | orifice support                           | 3     | 3     |
| 49   | 3012100     | Sec. Bottom heat shield                   | 1     | 1     |
| 50   | 3015000     | Valve shield front                        | 1     | 1     |
| 51   | 3015100     | Valve shield side                         | 1     | 1     |
| 52   | G03151-1    | piezo                                     | 2     | 2     |
| 53   | 3018600     | Quarter inch LT valve to LT orifice       | 1     | 1     |
| 54   | 2206400     | Pilot burner (Nat)                        | 2     | 2     |
|      | 2206401     | Pilot burner (Pro)                        | 2     | 2     |
| 55   | G0 2486-00  | Orifice fitting                           | 3     | 3     |
| 56   | 3018400     | Quarter inch tube RT valve to RT pilot    | 1     | 1     |
| 57   | G03674-3    | Quarter inch 90 angle valve pilot         | 1     | 1     |
| 58   | 3018300     | Quarter inch tube RT valve to RT orifice  | 1     | 1     |
| 59   | 2200199     | FF valve 46/47 (less fitting)             | 1     | 1     |
| 60   | 3018500     | Quarter inch tube RT valve to Ctr orifice | 1     | 1     |
| 61   | 3018700     | Quarter inch tube LT valve to LT pilot    | 1     | 1     |
| 62   | 3012200     | Pilot bracket                             | 2     | 2     |
| 63   | G6809       | quarter inch gum valve                    | 1     | 1     |
| 64   | 2333899     | Tee fitting                               | 1     | 1     |
| 65   | 2193496     | 46/7 Valve dial                           | 2     | 2     |

# GARLAND PARTS IDENTIFICATION

Top Section  
Model St283 St282

| Item                       | Part number | Description                   | ST283        | ST282          |                |
|----------------------------|-------------|-------------------------------|--------------|----------------|----------------|
| 66                         | 2200199     | FF valve 46/47                | 1            | 1              |                |
| 67                         | 1090600     | Broiler rack chrome           | 1            | 1              |                |
|                            | 1090797     | Broiler Rck drip shield       | 1            | 1              |                |
| 68                         | 1728824     | Broiler drip pan              | 1            | 1              |                |
| 69                         | 1728825     | Broiler drip pan handle       | 1            | 1              |                |
| 70                         | 3015200     | Cappilary shield              | 1            | 1              |                |
| 71                         | 1085200     | Burner box frt can supt       | 1            | 1              |                |
| 72                         | 1729501     | grease drawer 283             | 1            | 1              |                |
| 73                         | 3018100     | handle grease drawer          | 1            | 1              |                |
| 74                         | 1728802     | Grease handle drawer          | 1            | 1              |                |
| 75                         | 3011500     | Front rail 24"                | 1            | 1              |                |
| 76                         | 3011800     | control panel                 | 1            |                |                |
|                            | 3011801     | control panel (RC Model)      | 1            |                |                |
|                            | 3011802     | control panel                 |              | 1              |                |
|                            | 3011803     | control panel (RC Model)      |              | 1              |                |
| 77                         | 3012400     | RT Broiler overlay            | 1            | 1              |                |
| 78                         | 3012401     | LT broiler overlay            | 1            | 1              |                |
| 79                         | 3012300     | ST283 overlay                 | 1            | 1              |                |
| 80                         | 3011700     | Upper control panel           | 1            | 1              |                |
| 81                         | 3011600     | Front rail 36"                | 1            | 1              |                |
| 82                         | 2378303     | Drip tray handle              | 1            | 1              |                |
| 83                         | 1090106     | drip pan small stainless      | 1            | 1              |                |
| 84                         | 1414700     | Drip tray guide               | 1            | 1              |                |
| 93                         | 2378301     | Drip tray handle              | 1            | 1              |                |
| 94                         | 1085000     | Burner box front channel      | 1            | 1              |                |
| 95                         | 1090007     | Drip pan large                | 1            | 1              |                |
| 96                         | 1309201     | Piezo igniter                 | 4            | 4              |                |
| 97                         | 2200204     | 48" HT wire lead              | 2            | 2              |                |
| 98                         | 2202999     | G282/3a manifold assy flame F | 1            | 1              |                |
| 99                         | G02251-1    | Test spigot                   | 1            | 1              |                |
| 100                        | 1731303     | body side LT SS               | 1            | 1              |                |
| <b>Open burner section</b> |             |                               | <b>ST283</b> | <b>ST283-1</b> | <b>ST283-2</b> |
|                            |             |                               | <b>ST282</b> | <b>ST282-1</b> | <b>ST282-2</b> |
| 10B                        | 2200600     | 18" thermocouple              | 3            | 2              | 1              |
|                            | 2200602     | 24" thermocouple              | 3            | 2              | 1              |
| 20                         | 2217301     | Rear burner                   | 3            | 2              | 1              |
| 21                         | 2217300     | Front burner                  | 3            | 2              | 1              |
| 22                         | 2519200     | Air shutter                   | 6            | 4              | 2              |
| 23                         | 2520800     | Pilot burner                  | 6            | 4              | 2              |
| 24                         | 2520801     | Orifice pilot 51 (NAT)        | 6            | 4              | 2              |
|                            | 2520802     | Orifice pilot 30 (LP)         | 6            | 4              | 2              |
| 25                         | 2521100     | Bracket open burner pilot     | 3            | 2              | 1              |
| 85                         | 2325000     | Orifice block                 | 6            | 4              | 2              |
| 86                         | 076050-80   | Elbow comp 1/4T x 1/8T        | 6            | 4              | 2              |
| 87                         | 2323900     | Tube Valve to block           | 6            | 4              | 2              |
| 88                         | 2193495     | ST 280 open burner knob       | 6            | 4              | 2              |
| 89                         | 76050-23    | Elbow comp 1/4T x 1/4M        | 6            | 4              | 2              |

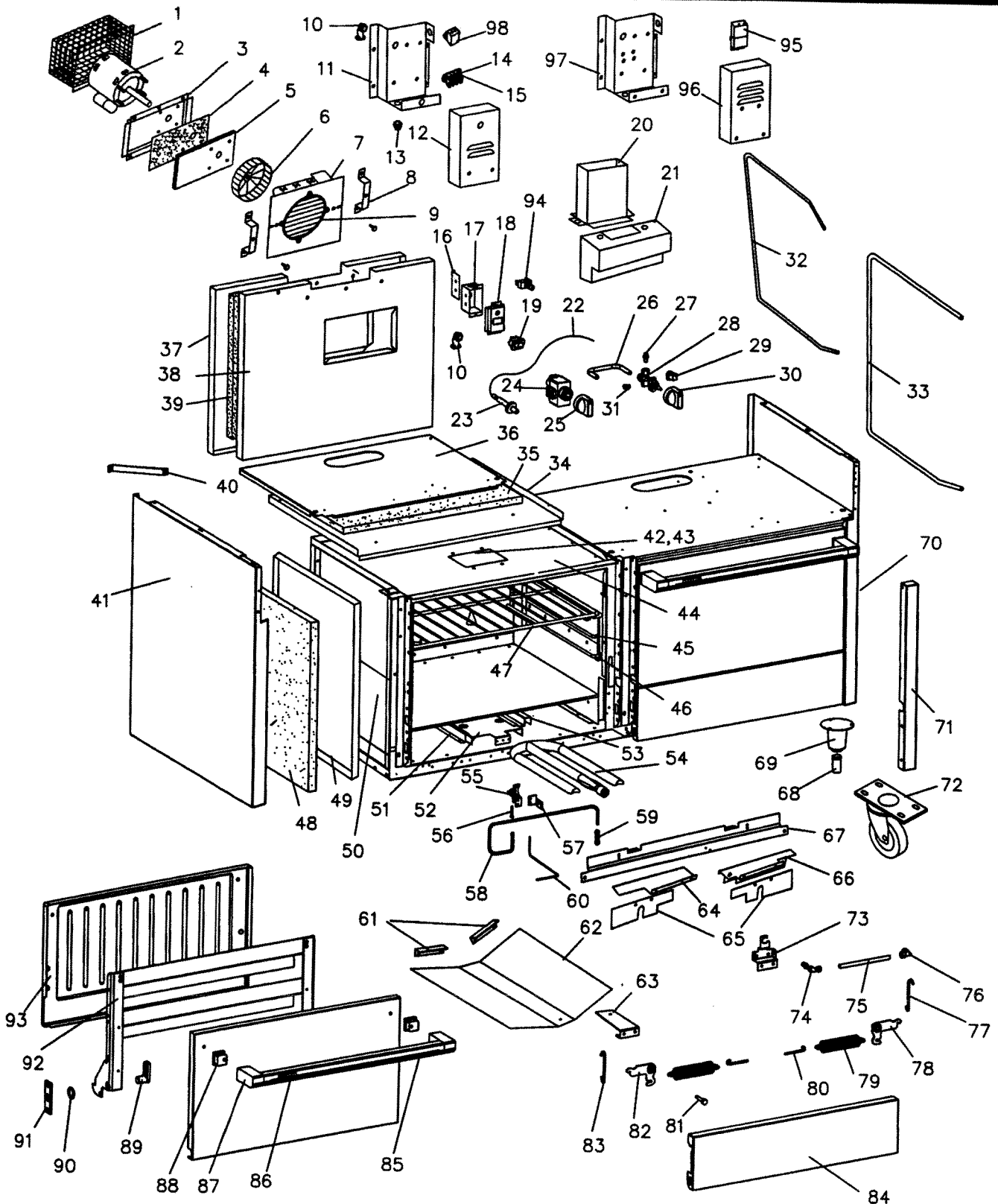
# GARLAND PARTS IDENTIFICATION

Top Section  
Model St283 St282

| Item                             | Part number | Description                         | ST283-3      | ST283-2        | ST283-1        |
|----------------------------------|-------------|-------------------------------------|--------------|----------------|----------------|
|                                  |             |                                     | ST282-3      | ST282-2        | ST282-1        |
| 90                               | 2187100     | Flame failure valve oven            | 6            | 4              | 2              |
| 91                               | G03674-2    | Valve pilot 3/16" angle 90 deg      | 6            | 4              | 2              |
| 92                               | 21045xx     | Orifice fitting                     | 6            | 4              | 2              |
| 4                                | 2395099     | Hot top assy                        | 3            | 2              | 1              |
| 5                                | 1014901     | Griddle H burner                    | 3            | 2              | 1              |
| 6                                | 1028002     | Air shutter                         | 3            | 2              | 1              |
| 7                                | 2270900     | Pilot bracket HT                    | 3            | 2              | 1              |
| 8                                | 2200700     | Pilot burner RH 0.145.010           | 3            | 2              | 1              |
| 9                                | 2200702     | Pilot orifice #32 SIT #0977099(NAT) | 3            | 2              | 1              |
|                                  | 2200703     | Pilot orifice #23 (PRO)             | 3            | 2              | 1              |
| 10                               | 2200600     | 18" thermocouple                    | 3            | 2              | 1              |
| 11                               | 2270801     | Pilot tube                          | 3            | 2              | 1              |
| 12                               | 2394300     | Orifice tube                        | 3            | 2              | 1              |
| 13                               | 076050-23   | Elbow comp. 1/4T x 1/4M             | 3            | 2              | 1              |
| 14                               | 2193496     | 46/7 valve dial                     | 3            | 2              | 1              |
| 15                               | 2200199     | FF Valve 46/47                      | 3            | 2              | 1              |
| 16                               | 2198102     | Valve connector fitting             | 3            | 2              | 1              |
| 17                               | G02486-00   | Orifice fitting                     | 3            | 2              | 1              |
| 18                               |             | orifice                             | 3            | 2              | 1              |
| 19                               | 2205399     | Burner box assembly                 | 3            | 2              | 1              |
| <b>Electronic ignition parts</b> |             |                                     | <b>ST283</b> | <b>ST283-1</b> | <b>ST283-2</b> |
|                                  |             |                                     | <b>ST282</b> | <b>ST282-1</b> | <b>ST282-2</b> |
| 101                              | 2200707     | Nut electrode #0.915.025            | 6            | 4              | 2              |



# SENTRY CONVECTION OVEN SECTION MODEL ST283RC, ST283RCE



# GARLAND PARTS IDENTIFICATION

## Convection Oven Section

### Model ST283RC, ST283RCE

| Item | Part Number | Description                         | Quantity |
|------|-------------|-------------------------------------|----------|
| 1    | 2519799     | Motor guard assembly                | 1        |
| 2    | 2485801     | Motor PSC 1/3 hp 115V 60 Hz         | 1        |
|      | 2485800     | Motor PSC 1/3 hp 208V/240V 50/60    | 1        |
| 3    | 2396600     | Motor mount pockett                 | 1        |
| 4    | 1669100     | motor pocket insulation             | 1        |
| 5    | 2396700     | Motor mount plate CGE               | 1        |
| 6    | G02952-01P  | Blower wheel assembly plated        | 1        |
| 7    | 2395999     | Air baffle assembly CGE             | 1        |
| 8    | 1361299     | Air baffle support assembly         | 2        |
| 9    | 2520100     | Fan protector screen                | 1        |
| 10   | 1028500     | Connector 3/8" 90 deg Romex         | 1        |
| 11   | 2573700     | Spark box                           | 1        |
| 12   | 2573800     | spark box housing                   | 1        |
| 13   | G01497-1    | BX connector straight 3/8"          | 1        |
| 14   | 50069       | Sectional terminal block #5125      | 3        |
| 15   | 50070       | Sectional terminal end #5130        | 1        |
| 16   | 3014900     | Bracket RC switch box               | 1        |
| 17   | 2483200     | Switch box                          | 1        |
| 18   | 2483300     | Switch mount cover (RC)             | 1        |
|      | 2483301     | Switch mount cover (RC2)            | 1        |
| 19   | 1729100     | 3 Position switch McGill            | 1        |
| 20   | 1413899     | Flue riser assembly                 | 1        |
| 21   | 1413900     | Flue box                            | 1        |
| 22   | 2200204     | HT 48" wire lead                    | 2        |
| 23   | 1309201     | Piezo igniter                       | 2        |
| 24   | G03145-048  | FD Control Assembly                 | 2        |
| 25   | 2193491     | Dial FD Celsius T/STAT              | 2        |
|      | 2193485     | Dial FD Fahrenheit T/STAT           | 2        |
| 26   | 2379800     | Valve to FD tube                    | 2        |
| 27   | 2198100     | Valve fitting 12 mm                 | 2        |
| 28   | 2513399     | Oven valve Assembly                 | 2        |
| 29   | G03674-2    | Valve pilot 3/16"Angle 90 deg       | 2        |
| 30   | 2193486     | Oven valve dial                     | 2        |
| 31   | 1070000     | Compression nut                     | 2        |
| 32   | 1028382     | 3/16 steel tubing                   | 2        |
| 33   | 1439300     | Oven tubing left                    | 1        |
|      | 1439400     | Oven tubing right                   | 1        |
| 34   | 1412699     | Top insulation pan                  | 1        |
| 35   | 1472300     | Insulation 28 x 23 x2               | 1        |
| 36   | 1359200     | Burner box bottom                   | 1        |
| 37   | 2397000     | Main back                           | 1        |
| 38   | 2396999     | Main back insulation panel assembly | 1        |
| 39   | 1472201     | Insulation upper back               | 1        |
|      | 1472202     | Insulation lower back               | 1        |
| 40   | 1081300     | Side rear brace                     | 2        |
| 41   | 1731303     | Body side LT SS                     | 1        |
| 42   | 1412300     | Vent slide                          | 1        |

# GARLAND PARTS IDENTIFICATION

## Convection Oven Section Model ST283RC, ST283RCE

| Item | Part Number | Description                          | Quantity |
|------|-------------|--------------------------------------|----------|
| 43   | 1412400     | Vent slide housing                   | 1        |
| 44   | 1005295     | Oven top lining                      | 1        |
| 45   | 1311100     | Left side rack assembly plated       | 1        |
|      | 1311101     | Right side rack assembly plated      | 1        |
| 46   | 1356600     | Rack glide clip                      | 2        |
| 47   | 2301200     | Oven rack                            | 2        |
| 48   | 1472200     | Side insulation                      | 1        |
| 49   | 1412100     | Side insulation pan                  | 1        |
| 50   | 2298798     | Oven side liner assembly             | 1        |
| 51   | 1390900     | Burner slide                         | 3        |
| 52   | 2298500     | Oven burner rest                     | 2        |
| 53   | 1390800     | Burner slide and tube shield         | 1        |
| 54   | 2378700     | S280 steel burner                    | 2        |
| 55   | 2200700     | Pilot assy                           | 2        |
| 56   | 2200702     | Pilot orifice #32 SIT #0977099 (NAT) | 2        |
|      | 2200703     | Pilot orifice #23 (PRO)              | 2        |
|      | 2200704     | Pilot orifice #40 (MAN)              | 2        |
| 57   | 2378401     | Pilot bracket                        | 2        |
| 58   |             |                                      |          |
| 59   |             |                                      |          |
| 60   | 2200601     | 60" thermocouple                     | 2        |
| 61   | 1325900     | Fire plate rear support              | 2        |
| 62   | 1357700     | Fire plate                           | 1        |
| 63   | 1412099     | Fire plate front support assembly    | 1        |
| 64   | 2677600     | Left shield support                  | 1        |
| 65   | 2677700     | Left roll out shield                 | 1        |
|      | 1390701     | right roll out shield                | 1        |
| 66   | 1391100     | right roll out shield support        | 1        |
| 67   | 2512700     | Loer front plate                     | 1        |
| 68   | 1150502     | Bullet leg(NSF)                      | 4        |
|      | 2393999     | Flanged Leg Assembly                 | 4        |
| 69   | 1027600     | Leg retainer plated 6"(NSF)          | 4        |
|      | 2026299     | Flanged Leg retainer assembly        | 4        |
| 70   | 1605003     | Broiler body side RT S/S             | 1        |
| 71   | 1081506     | Center column                        | 1        |
| 72   | 1027800     | Swivel caster less brake             | 2        |
|      | 1027801     | Swivel caster with brake             | 2        |
|      | 2063700     | Swivel caster less brake (UK)        | 2        |
|      | 2063701     | Swivel caster with brake (UK)        | 2        |
| 73   | 1361000     | Orifice bracket                      | 2        |
| 74   | 22701xx     | Orifice fitting(Specify gas)         | 2        |
| 75   | 1392500     | 7/16 orifice tube                    | 2        |
| 76   | 1313800     | Elbow 90 deg 7/16 x 7/16             | 2        |
| 77   | 1082802     | Hinge link (right)                   | 2        |
| 78   | 1082199     | Bell crank (right)                   | 2        |
| 79   | 1005800     | Spring                               | 4        |
| 80   | 9004701     | Oven door spring hook                | 4        |

# GARLAND PARTS IDENTIFICATION

## Convection Oven Section

### Model ST283RC, ST283RCE

| Item                             | Part Number | Description                            | Quantity             |                        |
|----------------------------------|-------------|--|----------------------|------------------------|
| 81                               | 1082200     | Bell crank bolt                        |                      | 4                      |
| 82                               | 1082198     | Bell crank (left)                      |                      | 2                      |
| 83                               | 1082803     | Hinge link (left)                      |                      | 2                      |
| 84                               | 2376701     | Kick panel                             |                      | 2                      |
| 85                               | 2194900     | Door handle end RT                     |                      | 2                      |
| 86                               | 2193100     | Door handle bar                        |                      | 2                      |
| 87                               | 2194901     | Door handle end LT                     |                      | 2                      |
| 88                               | 2377300     | Handle end plastic insert              |                      | 4                      |
| 89                               | 1082500     | Oven door trunion                      |                      | 4                      |
| 90                               | 1082700     | Harness ring                           |                      | 4                      |
| 91                               | 1083001     | Trunion support                        |                      | 4                      |
| 92                               | G03984-03-8 | Oven door assembly                     |                      | 2                      |
| 93                               | 1439796     | Oven door lining enameled              |                      | 2                      |
| <b>Electronic ignition parts</b> |             |  | <b>ST283/ST283-1</b> | <b>ST283-2/ST283-3</b> |
| 94                               | G03053-1    | Momentary switch                       | 1                    | 1                      |
| 95                               | 2144000     | Spark generator 4 outlets 240V         | 2                    | 2                      |
|                                  | 2144001     | Spark generator 2 outlets 240V         | 1                    |                        |
|                                  | 2144002     | Spark generator 4 outlets 120V         | 2                    | 2                      |
|                                  | 2144003     | Spark generator 2 outlets 120V         | 1                    |                        |
| 96                               | 2566500     | Spark ignition cover                   | 1                    | 1                      |
| 97                               | 2566600     | spark ignition housing                 | 1                    | 1                      |
| 98                               | 2533200     | EMI filter FN612-3/06(240V model only) | 1                    | 1                      |