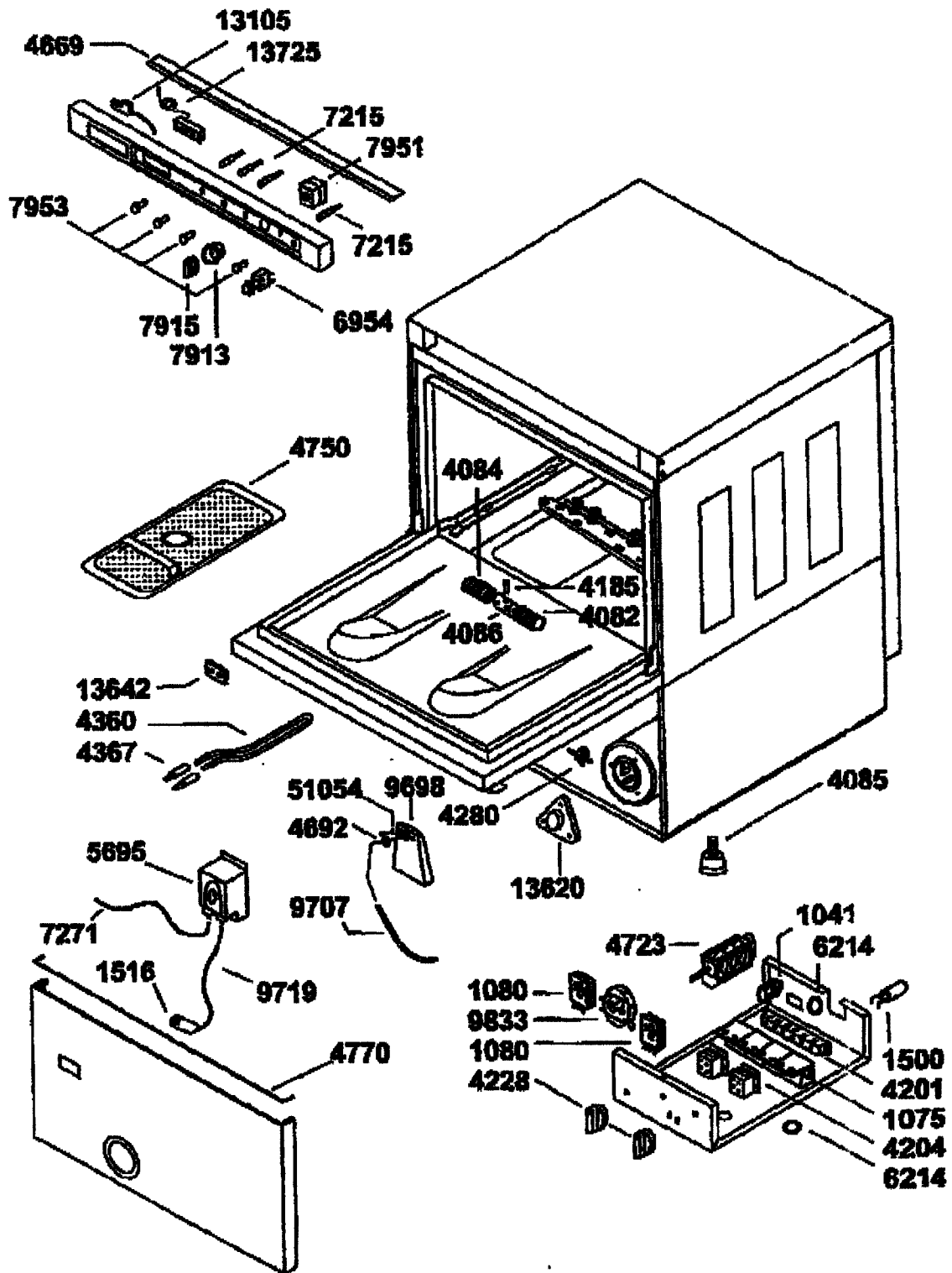


**MASTERWASH**  **V 25 DP** Dis. N°EM.AF.017  21-09-04



Tel: 01425 673066; e-mail sales@ascateringsupplies.com



<b>MASTERWASH</b>	<b>V 25DP</b>	Dis. N°EE.AF.018 21-09-04
-------------------	---------------	------------------------------

