

W255H,W355H,FAS355H

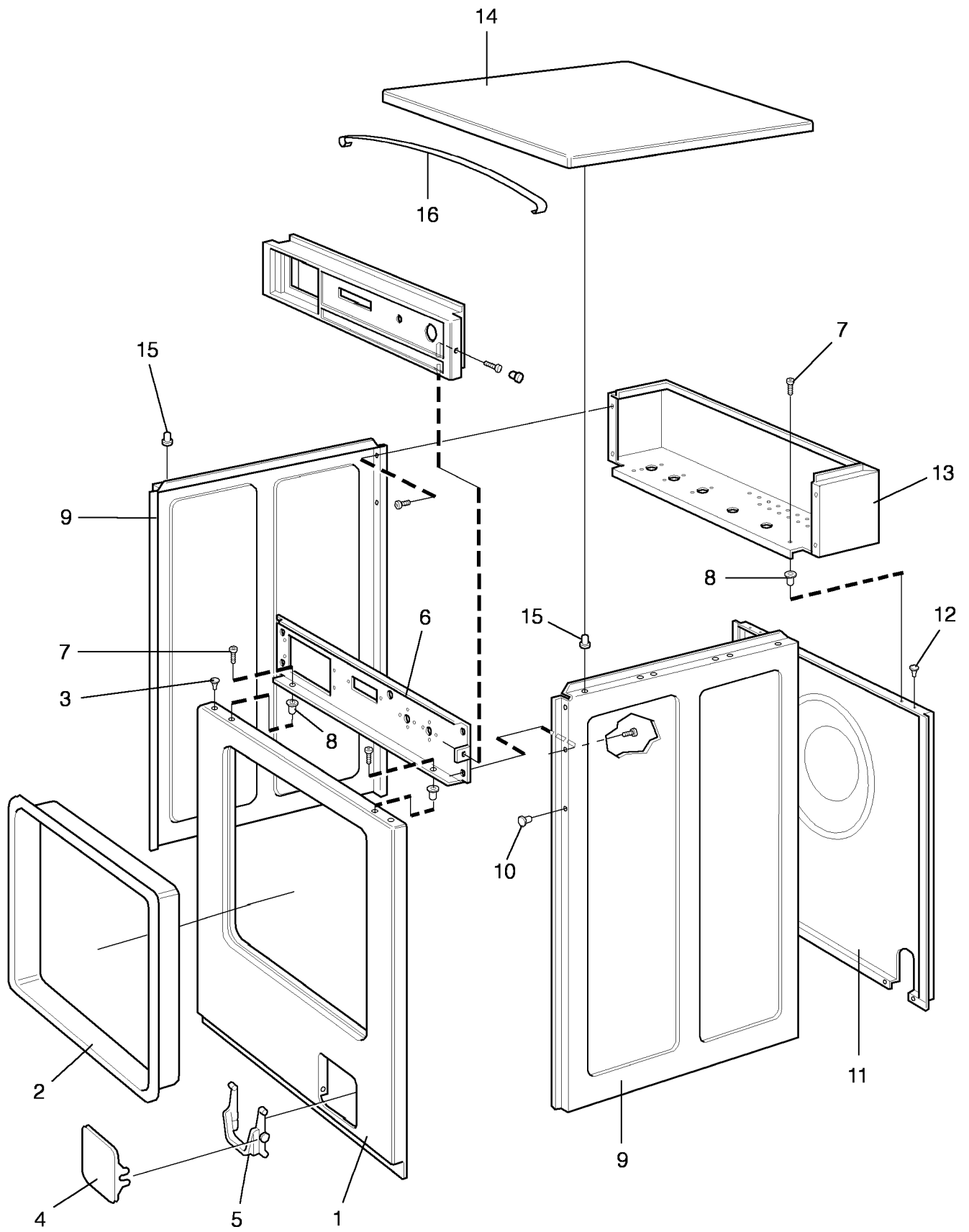
Utgåveförteckning

W255H,W355H,FAS355H

Illustration	Page	Table of contents
100797	41	Inlet valve 3/4", 3-way
100798	39	Inlet valve 3/4", 2-way
100799	37	Inlet valve 3/4", 1-way
101076	9	Frame
101082	25	Drain valve
101178	31	Electric drain valve
101488	11	Door and door lock
101798	7	Panels
101799	13	Control panel
101900	15	Outer and inner drum
101901	17	Electric components
101902	19	Cables
101903	21	Hoses
101904	23	Water alternatives
101905	27	Detergent container
101906	33	Electrical drain valve
101974	35	Base with lint box
102129	29	Liquid detergent

W255H,W355H,FAS355H

Table of contents	Innehållsförteckning	Page/Sida
Panels	Plåtar	7
Frame	Stativ	9
Door and door lock	Lucka och lucklås	11
Control panel	Manöverpanel	13
Outer and inner drum	Ytter- och innertrumma	15
Electric components	Eldetaljer	17
Cables	Kablage	19
Hoses	Slangar	21
Water alternatives	Vattenalternativ	23
Drain valve	Avloppsventil	25
Detergent container	Tvättmedelslåda	27
Liquid detergent	Flytande tvättmedel	29
Electric drain valve	El. avloppsventil	31
Electrical drain valve	Elektrisk avloppsventil	33
Base with lint box	Sockel med luddlåda	35
Inlet valve 3/4", 1-way	Tilloppsventil 3/4", 1-vägs	37
Inlet valve 3/4", 2-way	Tilloppsventil 3/4", 2-vägs	39
Inlet valve 3/4", 3-way	Tilloppsventil 3/4", 3-vägs	41



Issue	Month	Year
03	12	01

W255H,W355H,FAS355H

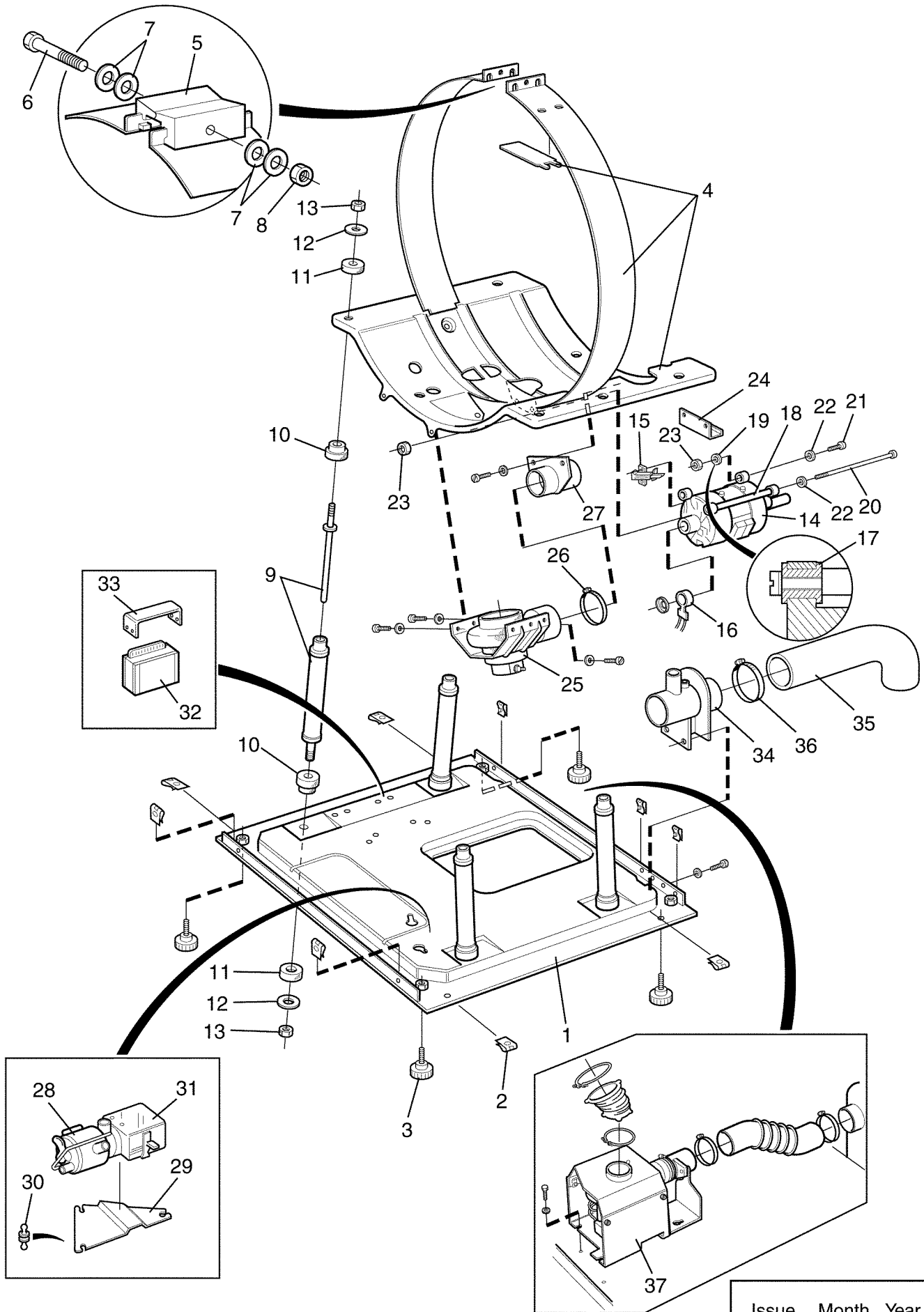
Panels

Illustration Issue Month Year
Illustration Utgåva Månad År

Plåtar

101798/3 4 3 2002

Item Pos.	Qua Ant.	Art.No Art.nr	Description	Benämning	Info Info	Notes Anmärkning
1	1	472 9904-12	Front panel	Frontplåt	1	Complete, yellow
	1	472 9904-13	Front panel	Frontplåt	1	Complete, white
	1	472 9904-15	Front panel	Frontplåt	1	Complete, red
	1	472 9904-66	Front plate	Frontplåt	1	Complete, grey
	1	472 9904-67	Front plate	Frontplåt	1	Complete, grey, pump
	1	472 9904-18	Front panel	Frontplåt	1	Complete, stainless steel
	1	472 9904-68	Front plate	Frontplåt	1	Complete, green
	1	472 9904-69	Front plate	Frontplåt	1	Complete, green, pump
	1	472 9904-20	Front panel	Frontplåt	1	Complete, yellow, pump
	1	472 9904-21	Front panel	Frontplåt	1	Complete, white, pump
	1	472 9904-24	Front panel	Frontplåt	1	Complete, red, pump
	1	472 9904-65	Front plate	Frontplåt	1	Complete, stainless steel, pump
* 2	1	438 5042-02	•Strip	•List	3	Grey
3	2	471 8196-01	•Plug	•Plugg	3	
4	1	438 5081-16	•Door	•Lucka	1	Grey
	1	438 5081-11	•Door	•Lucka	1	Yellow
	1	438 5081-12	•Door	•Lucka	1	White
	1	438 5081-17	•Door	•Lucka	1	Green
	1	438 5081-02	•Door	•Lucka	1	Stainless steel
5	1	438 5114-01	•Hinged joint	•Gångled	1	
6	1	438 5084-01	Panel plate	Panelplåt	3	
7	4	471 8454-07	Rivet	Nit	3	
8	4	438 5109-02	Guide pin	Styrpinne	3	
9	2	472 9904-29	Side panel	Sidoplåt	3	Complete, white
	2	472 9904-70	Side panel	Sidoplåt	1	Complete, grey
	2	472 9904-79	Side panel	Sidoplåt	3	Complete, stainless steel
10	4	471 8196-01	•Plug	•Plugg	3	
11	1	472 9903-34	Rear panel	Bakstycke	3	Complete, white
	1	472 9904-71	Rear panel	Bakstycke	3	Complete, grey
12	2	471 8196-01	•Plug	•Plugg	3	
13	1	438 5192-11	Brace bracket	Stagplåt	3	White
	1	438 5192-17	Brace bracket	Stagplåt	3	Grey
14	1	438 5088-02	Top panel	Topplack	3	
15	4	472 9904-80	Bracket	Hållare	3	
16	2	438 5151-01	Spring clip	Fjäderblad	3	



Issue	Month	Year
04	04	94

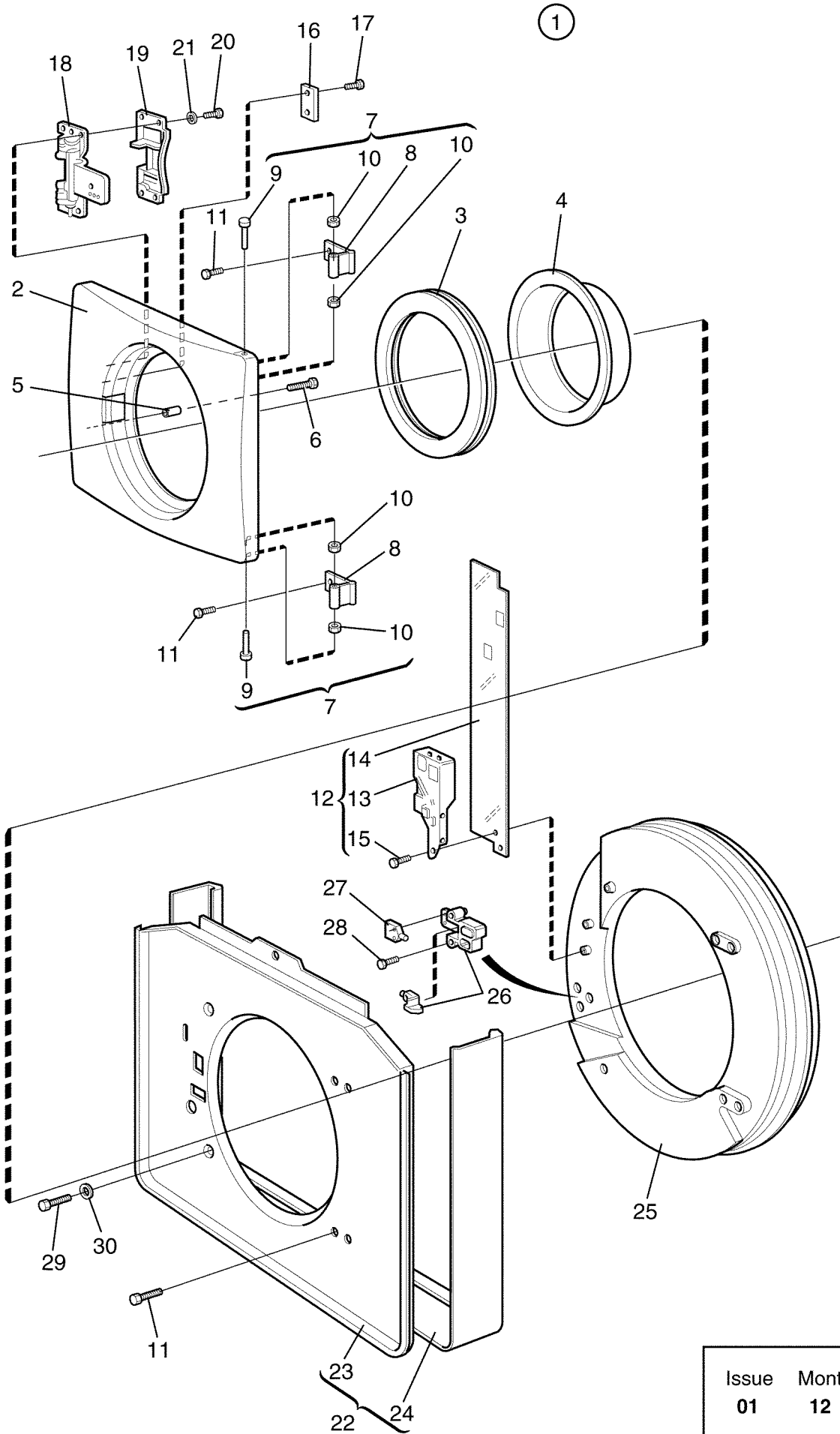
W255H,W355H,FAS355H

Frame

Stativ

Illustration Issue Month Year
Illustration Utgåva Månad År
101076 3 12 2001

Item Pos.	Quantity Antal	Art.No Art.nr	Description	Benämning	Info Info	Notes Anmärkning
			W255H,W255H			
			W355H,W355H,FAS355H			
1	1	472 9901-81	Bottom plate	Bottenplatta	3	Incl. insulation
	1	438 5143-01	•Bottom plate	•Bottenplatta	3	
	1	438 5143-03	Bottom plate	Bottenplatta	3	El. drain valve
2	RQ RQ	471 7864-02	Clip	Clips	3	M5
3	4	471 8194-01	Foot	Fot	3	
4	1	472 9901-26	Frame	Ram	3	Complete
5	2	438 0027-01	Tensioner	Spänne	3	
6	1	725 2463-71	Screw	Skruv	3	M6S 8X60
7	4	471 7807-02	Tension plate	Spännbricka	3	18x8,4x2
8	1	732 2118-01	Locking nut	Låsmutter	3	M8
9	1	472 9901-25	Spring strut	Fjäderben	1,2	Set of 4
10	8	471 8149-11	•Rubber buffer	•Gummibuffert	1	
11	8	471 8149-01	•	•	1	
12	12	471 8502-25	•	•	3	
13	8	732 2120-01	Locking nut	Låsmutter	3	M10
14	1	472 9904-74	Motor	Motor	1,2	
		472 9904-48	Motor	Motor	1,2	
15	2	471 9740-51	•Brush kit	•Kolborstsats	1,2	
16	1	471 9740-53	Sensor	Sensor	1,2	
17	3	438 5123-01	Bushing	Bussning	3	
18	1	438 5124-01	Spacer tube	Distansrör	3	L=187,5
19	1	438 5124-02	Spacer tube	Distansrör	3	L=22,5
20	1	471 8356-01	Screw	Skruv	3	M8X220
21	1	725 2461-51	Screw	Skruv	3	M8X50
22	6	471 8502-14	Washer	Bricka	3	BRB 8,4X17
23	2	732 2118-01	Locking nut	Låsmutter	3	M8
24	1	438 5146-01	Cover	Skydd	3	
25	1		Drain valve	Avloppsventil	1,2	See illustr. 101082
26	1	736 2840-51	Hose clamp	Slangklämma	3	Ø50-63
27	1	438 5020-01	Distance piece	Mellanstycke	3	
28	1	471 8269-01	Pump	Pump	1,2	
29	1	438 5175-01	Bracket	Hållare	3	
30	3	438 5197-01	Rubber buffer	Gummibuffert	3	
31	1	438 5174-01	Cover	Skydd	3	
32	1	438 5478-03	Transformer	Transformator	1,2	100-120-200V/230V
	1	438 5478-11	Transformer	Transformator	1,2	380-400-440-480V/230V
33						Not used
34	1	438 5021-01	Connection	Anslutning	3	
35	1	438 5040-01	Drain hose	Avloppsslang	3	
36	1	736 2840-51	Hose clamp	Slangklämma	3	Ø50-63
37	1		Drain valve	Avloppsventil		See illustr. 101178



101488

Issue	Month	Year
01	12	97

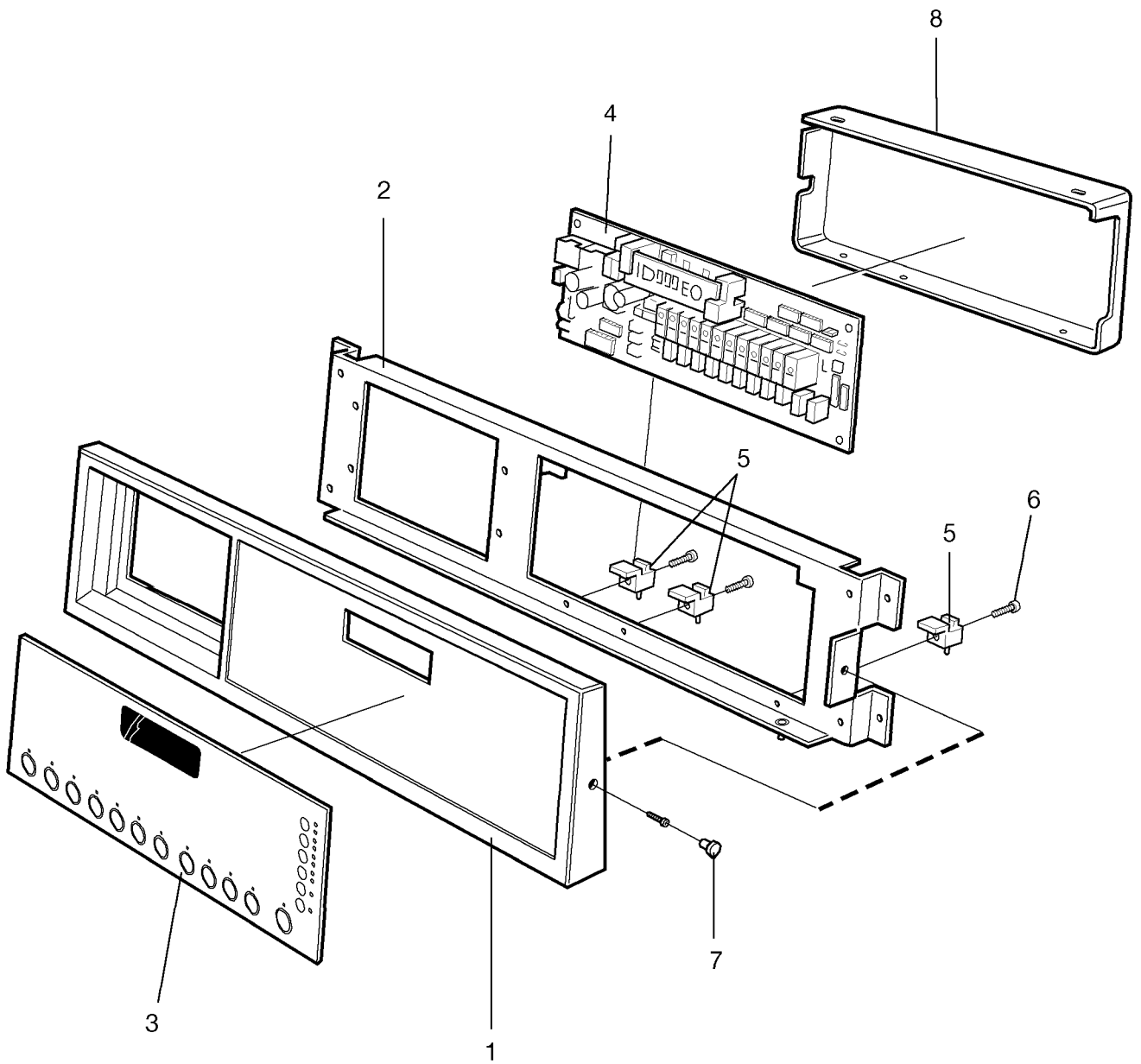
W255H,W355H,FAS355H

Door and door lock

Illustration Issue Month Year
Illustration Utgåva Månad År
101488 5 9 2001

Lucka och lucklås

Item Pos.	Quantity Antal	Art.No Art.nr	Description	Benämning	Info Info	Notes Anmärkning
			W255H,W255H			
			W355H,W355H,FAS355H			
1	1	438 5067-06	Door	Lucka	1	Complete
2	1	438 5054-05	•Door	•Lucka	3	
3	1	438 5052-01	•Gasket	•Packning	1,2	
4	1	438 5055-01	•Glass	•Glas	1,2	
5	1	438 5077-01	•Pin	•Tapp	3	
6	1	471 8327-02	•Screw	•Skruv	3	M5X20
7	2	472 9901-29	•Hinged joint	•Gångled	1,2	Complete
8	2		••Hinged joint	••Gångled		
9	2		••Shaft	••Axel		
10	4		••Bushing	••Bussning		
11	4		••Screw	••Skruv		M5X16
12	1	472 9901-77	Door locking device	Lucklås	1,2	Complete
13	1		•Door locking device	•Lucklås		
14	1		•Cover	•Skydd		
15	3		•Screw	•Skruv		
16	1	472 9901-37	•Lock catch	•Låshake	1,2	
17	2	471 8326-01	•Screw	•Skruv	3	4X12
18	1	438 5075-05	Handle	Handtag	1	
19	1	438 5078-01	Cover	Skydd	3	
20	3	471 8344-24	Screw	Skruv	3	M5X12
21	3	734 1146-09	Washer	Bricka	3	BRB 5,3X10
22	1	472 9904-72	Decorating plate	Dekorplåt	3	Complete
	1	472 9904-73	Decorating plate	Dekorplåt	3	Complete with insulation
23	1	438 5051-55	•Decorating plate	•Dekorplåt	3	
24	1	438 5108-11	•Rubber strip	•Gummilist	3	
25	1	438 5060-01	Balance weight	Balansvikt	1	Complete
26	1	438 5076-01	Bracket	Hållare	3	
27	1	471 9654-03	Microswitch	Microbrytare	1,2	
28	2	471 8341-15	Screw	Skruv	3	MRT 4X16
29	3	471 8344-24	Screw	Skruv	3	M5X12
30	RQ	RQ	735 2146-01 Washer	Bricka	3	M5



101799

Issue	Month	Year
02	02	02

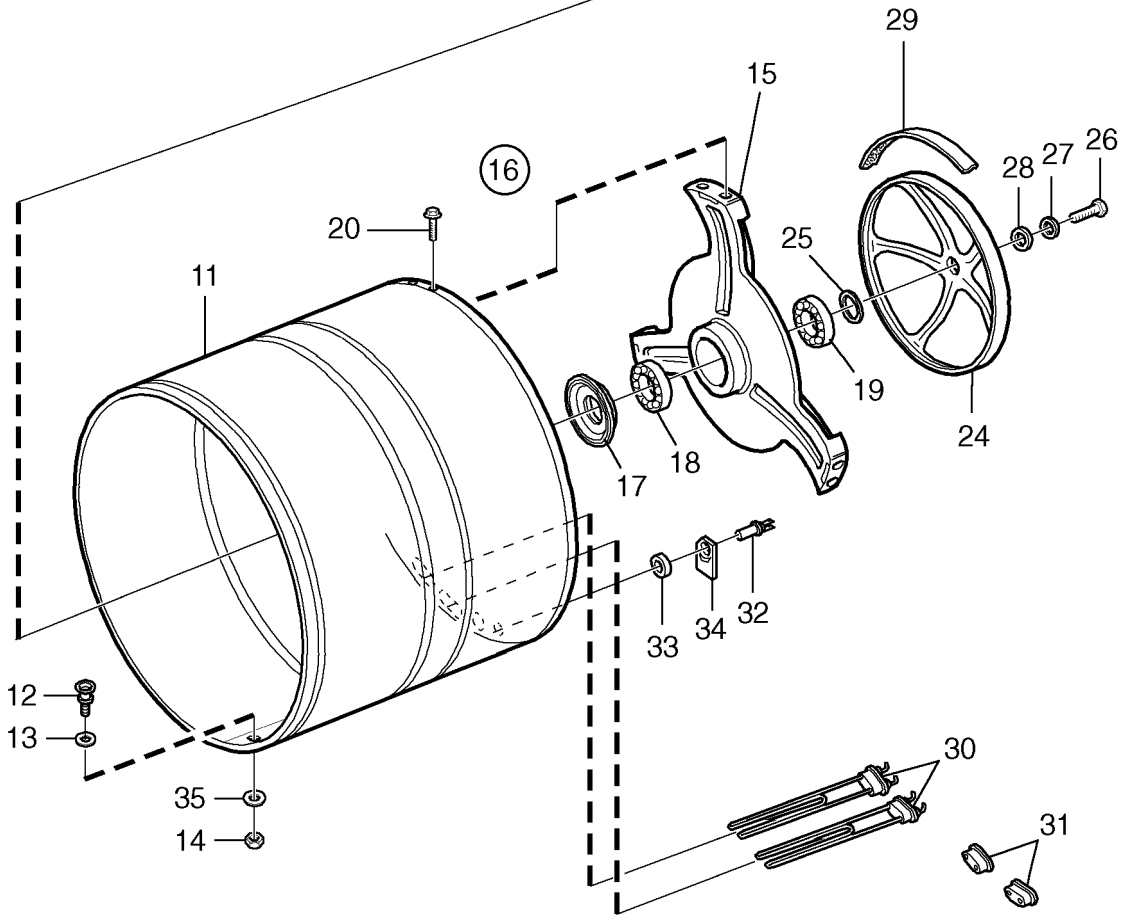
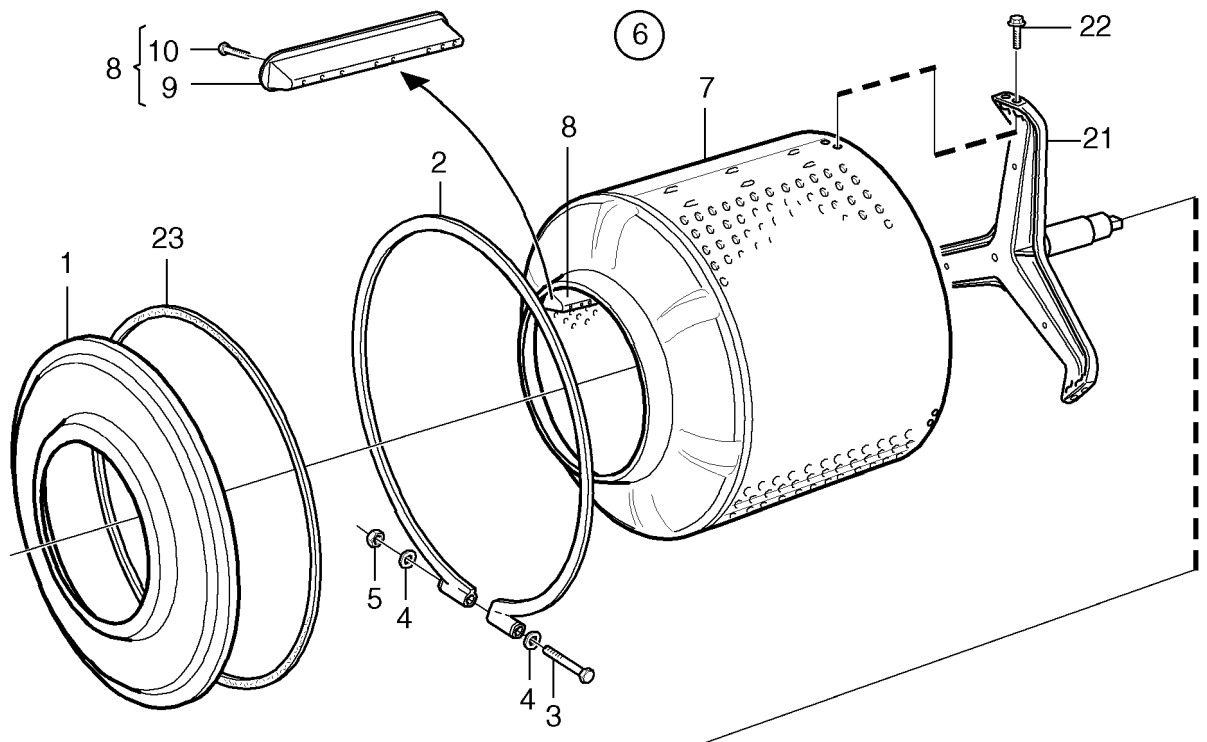
W255H,W355H,FAS355H

Control panel

Manöverpanel

Illustration Issue Month Year
Illustration Utgåva Månad År
101799/1 3 12 2001

Item Pos.	Quantity Antal	Art.No Art.nr	Description	Benämning	Info Info	Notes Anmärkning
			W255H,W255H			
			W355H,W355H,FAS355H			
1	1	1 438 5083-02	Panel	Panel	3	
2	1	1 438 5084-01	Panel plate	Panelplåt	3	
3	1	1 472 5782-01	Panel sign	Panelskylt	1	1A91
	1	1 472 5782-02	Panel sign	Panelskylt	1	1C91
	1	1 472 5782-03	Panel sign	Panelskylt	1	1M91
	1	1 472 5782-04	Panel sign	Panelskylt	1	1G91
	1	1 472 5782-05	Panel sign	Panelskylt	1	1M92
	1	1 472 5781-01	Panel sign	Panelskylt	1	1A01/1G41
	1	1 472 5781-02	Panel sign	Panelskylt	1	1G01
	1	1 472 5781-03	Panel sign	Panelskylt	1	1H01,1W31,1M01,1W41
	1	1 472 5781-04	Panel sign	Panelskylt	1	1L01
	1	1 472 5781-05	Panel sign	Panelskylt	1	1R01
	1	1 472 5781-06	Panel sign	Panelskylt	1	1C01
	1	1 472 5781-07	Panel sign	Panelskylt	1	1L12
	1	1 472 5781-08	Panel sign	Panelskylt	1	1L11
	1	1 472 5781-09	Panel sign	Panelskylt	1	1L41
	1	1 472 5781-10	Panel sign	Panelskylt	1	1M01
4	1	1 471 8988-02	Printed circuit board	Kretskort	1,2	
5	3	3 438 5154-01	Bracket	Hållare	3	
6	3	3 471 8340-26	Screw	Skruv	3	4,2x25
7	1	1 438 5138-04	Cover	Lock	3	
8	1	1 438 5085-01	Heat shield	Värmesköld	3	



Issue	Month	Year
03	02	02

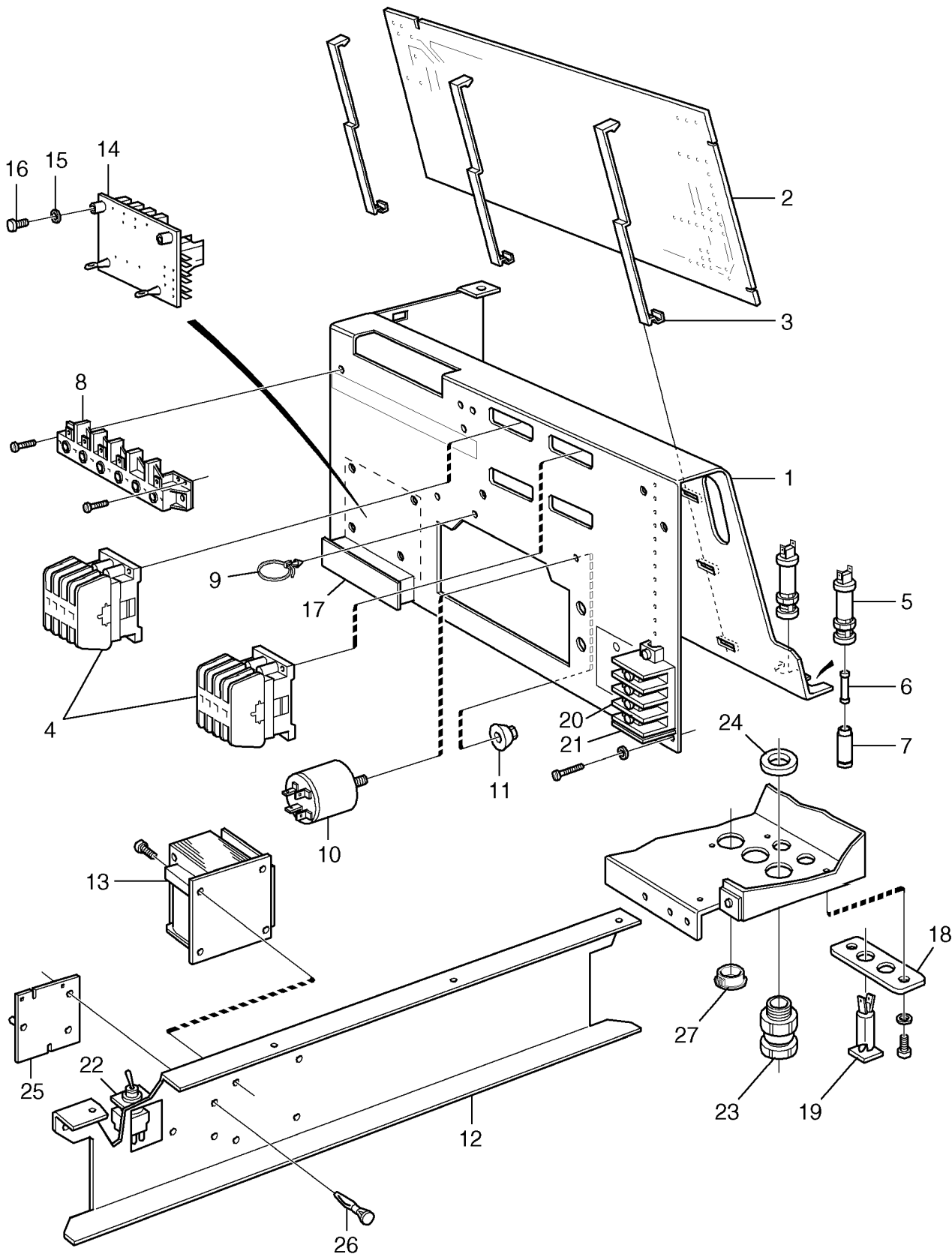
W255H,W355H,FAS355H

Outer and inner drum

Ytter- och innertrumma

Illustration Issue Month Year
Illustration Utgåva Månad År
101900/2 2 12 2001

Item Pos.	Quantity Antal	Art.No Art.nr	Description	Benämning	Info Info	Notes Anmärkning
			W255H,W255H			
			W355H,W355H,FAS355H			
1	1	438 5050-01	End piece	Gavel	3	
2	1	438 5058-01	Tension strap	Spännband	3	
3	1	471 9222-59	Screw	Skruv	3	M6S 8X140
4	2	471 8502-14	Washer	Bricka	3	BRB 8,4X17
5	1	732 2118-01	Locking nut	Låsmutter	3	M8
6	1	472 9903-78	Drum	Trumma	1	Complete
7	1	438 5119-02	•Inner drum	•Innertrumma	1	
8	1	472 9901-42	••Lifter	••Valk	1	Kit
9	3		•••Lifter	•••Valk	1	
10	6	471 8317-06	•••Screw	•••Skruv	3	
11	1	438 5137-03	•Outer drum	•Yttertrumma	3	El. heated
	1	438 5137-04	•Outer drum	•Yttertrumma	3	Hot water
	1	472 9901-96	•Outer drum	•Yttertrumma	3	El. heated insul.
12	2	438 5115-01	•Bracket	•Hållare	3	
13	2	438 5127-01	•Gasket	•Packning	3	
14	2	731 2316-42	•Nut	•Mutter	3	M6
15	1	438 5117-01	•Back plate	•Bakgavel	1	
16	1	472 9904-83	•Repair kit	•Renoveringssats	1,2	
17	1		••Seal	••Tätning		
18	1		••Ball bearing	••Kullager		
19	1		••Ball bearing	••Kullager		
20	6	471 8357-01	••Screw	••Skruv	3	
21	1		••Shaft	••Axel		
22	6		••Screw	••Skruv		
23	1	438 5061-01	••Gasket	••Packning	1	
24	1	438 5118-01	•Pulley	•Remskiva	1	
25	1	471 8524-01	•Spring washer	•Fjäderbricka	3	
26	1	471 8358-02	•Screw	•Skruv	3	
27	1	471 8502-26	•Washer	•Bricka	3	
28	1	438 5176-01	Bushing	Bussning	3	
29	1	471 7700-12	V-belt	Kilrem	1,2	
30	2	471 9813-01	Heating element	Element	1,2	2,2kW 230V
	2	471 9813-02	Heating element	Element	1,2	2,2kW 240V
	2	471 9813-03	Heating element	Element	1,2	2,2kW 254V
31	2	471 4494-01	Blind flange	Blindfläns	3	Hot water
32	1	472 9913-22	Sensor	Givare	1,2	Complete
33	1	471 8192-01	•Bushing	•Bussning	1,2	
34	1	438 5160-01	Cover	Skydd	3	
35	2	471 8502-05	Washer	Bricka	3	NB 6x22



Issue	Month	Year
02	12	01

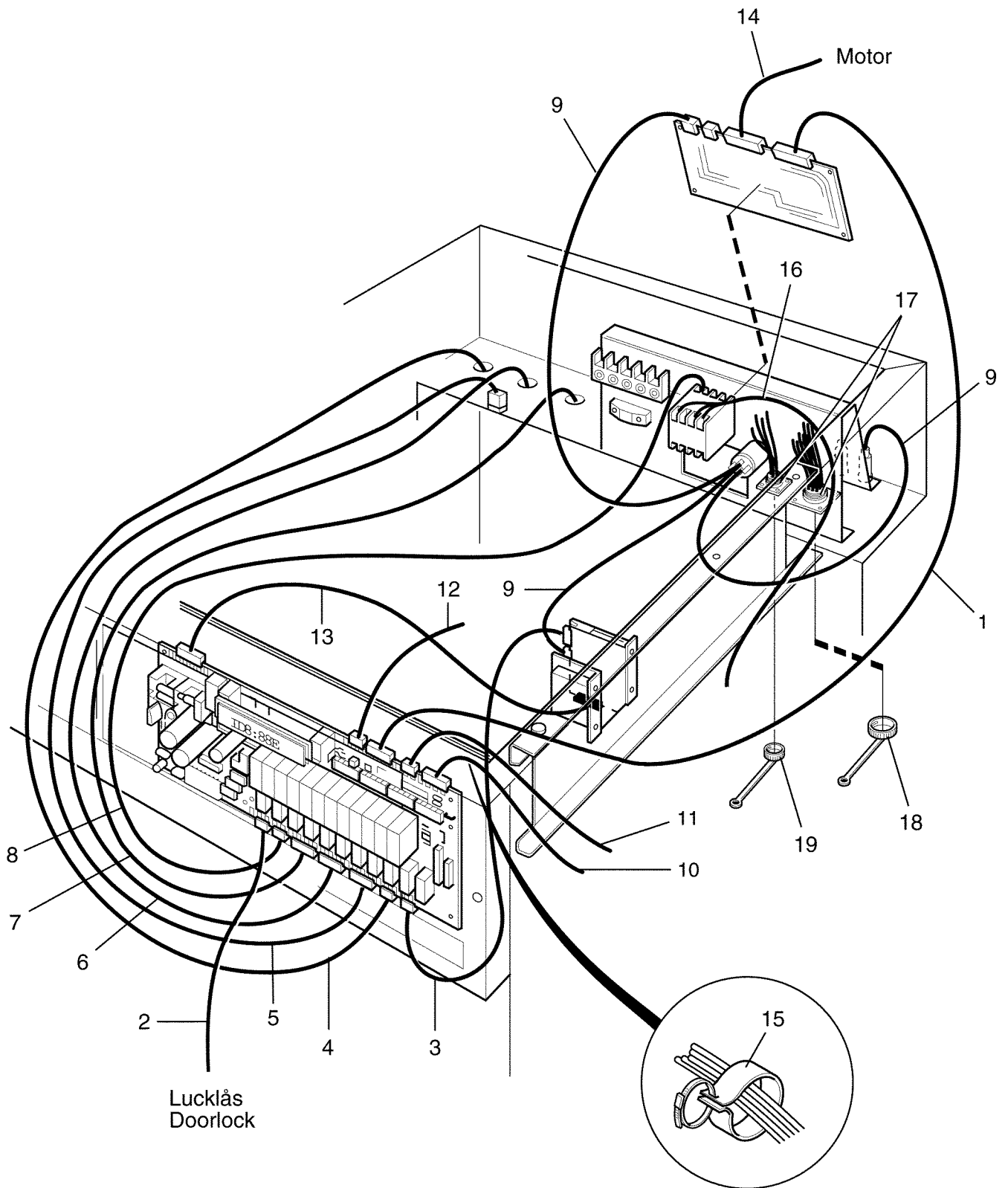
W255H -55/114476,W355H,W255H,FAS355H

Electric components

Illustration Issue Month Year
Illustration Utgåva Månad År
101901/2 3 12 2001

Eldetaljer

Item Pos.	Quantity Antal	Art.No Art.nr	Description	Benämning	Info Info	Notes Anmärkning
			W255H,W255H			
			W355H,W355H,FAS355H			
1	1	1	438 5162-01	Komponentplåt	3	
2	1		471 8987-32	Motorstyrning	1,2	W255H
		1	472 9904-49	Motorstyrning	1,2	W355H
3	3		472 8969-03	Hållare	3	
* 4	RQ	RQ	438 9636-02	Kontaktor	1,2	50Hz
* 4	RQ	RQ	438 9636-03	Kontaktor	1,2	60Hz
5	2	2	471 8756-01	Säkringshållare	1	5X20 MM 50Hz
6	2	2	471 8750-14	Säkring	1,2	5A slow 50Hz
	2	2	471 8750-07	Säkring	1,2	5A slow, 60Hz
	2	2	471 8778-02	Automatsäkring	1,2	10A USA
7	2	2	471 8756-51	Insats	1	5X20MM
	2	2	471 8756-52	Insats	1	6,3X32MM,60Hz
8	1	1	471 8759-01	Plint	3	
9	1	1	762 9101-11	Fäste	3	
10	1	1	471 9529-11	LC-filter	1	Non-heated -55/114476
	1		471 9529-11	LC-filter	1	55/114477-55/117687
	1		471 9529-12	LC-filter	1	55/114477-
11	1	1	471 9035-20	Nut	3	M8
12	1	1	438 5156-01	Komponentplåt	3	
13	1	1	471 9558-11	Transformator	1,2	
14	1	1	438 5465-01	Radiostörningsfilter	1	-420V -55/114476
		1	438 5465-02	Radiostörningsfilter	1	440V -55/114476
	1		438 5465-01	Radiostörningsfilter	1	55/117688-
15	2	2	735 2136-01	Låsbricka	3	AZ 4,3
16	2	2	471 8341-11	Skruv	3	MRT 4X6
17	1	1	471 2437-15	Kuts	3	
18	1	1	438 5193-01	Plåt	3	
19	2	2	471 8778-01	Automatsäkring	1,2	6A
20	4	4	471 8760-01	Plint	3	
21	1	1	471 8760-01	Plint	3	
22	1	1	471 9629-02	Nyckelbrytare	1,2	
23	1	1	762 2109-05	Tätningring	3	
24	1	1	471 8780-32	Mutter	3	18
25	1	1	471 9660-51	Kretskort	1	
26	3	3	471 7958-02	Stöd	3	
27	1	1	471 7967-01	Bussning	3	



Issue	Month	Year
08	01	02

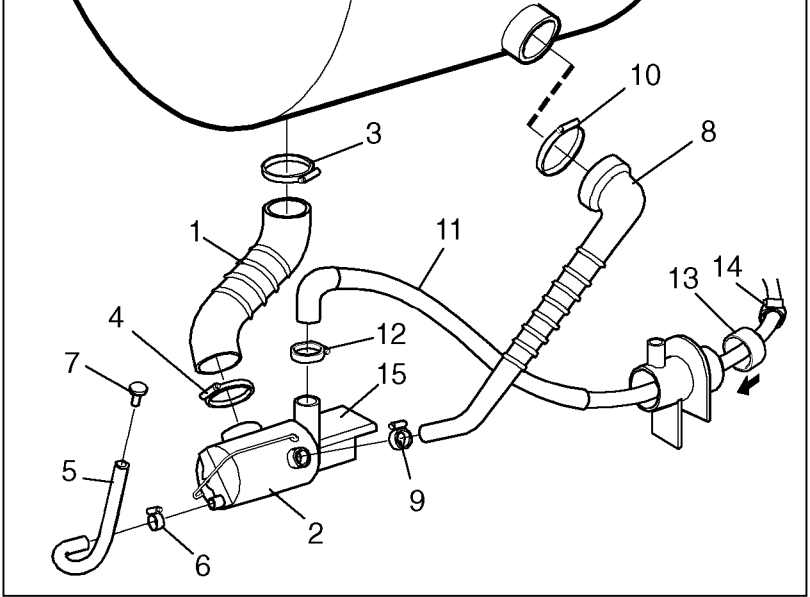
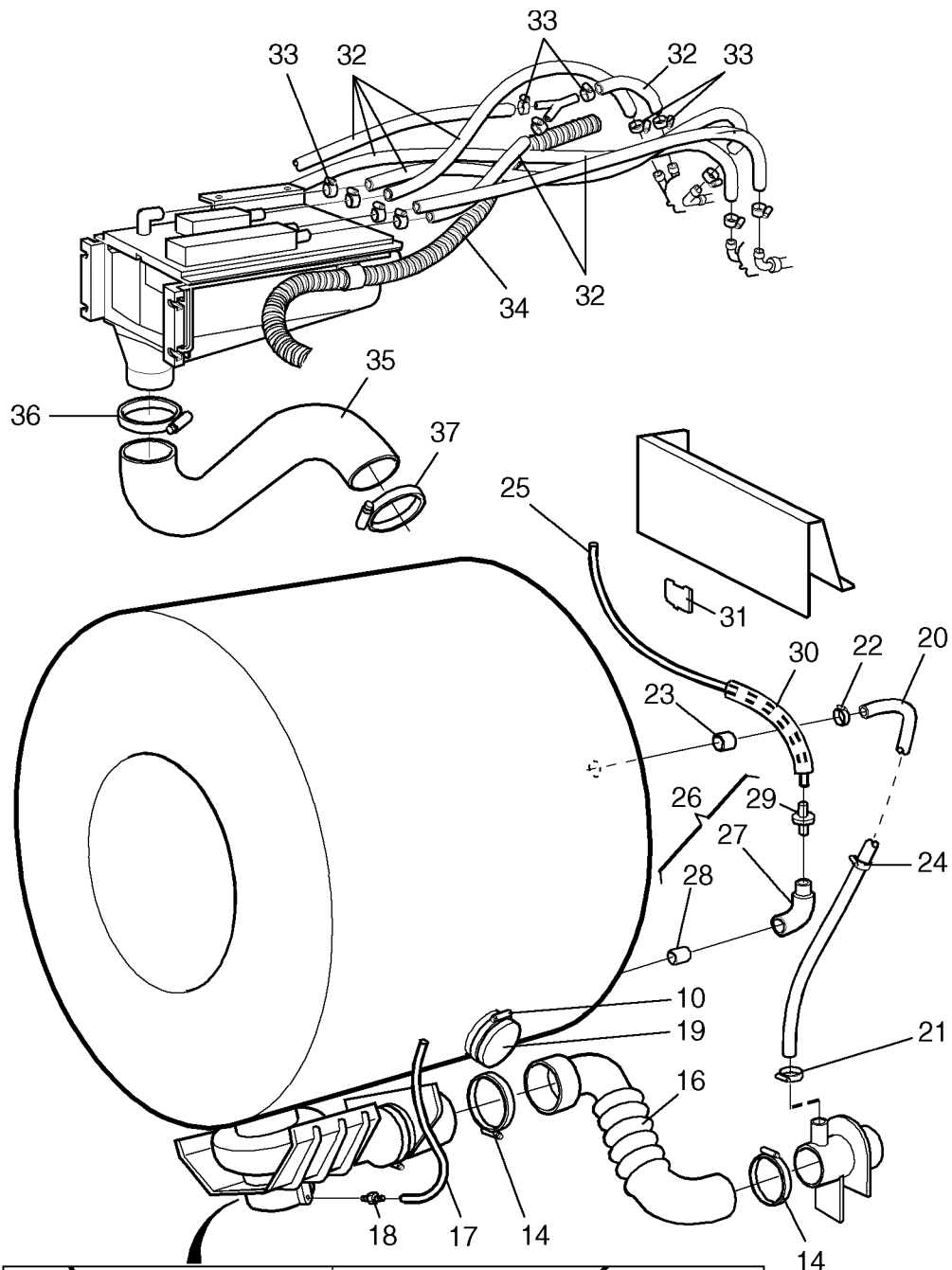
W255H,W355H,FAS355H

Cables

Kablage

Illustration Issue Month Year
Illustration Utgåva Månad År
101902/8 4 3 2002

Item Pos.	Quantity Antal	Art.No Art.nr	Description	Benämning	Info Info	Notes Anmärkning
			W255H,W255H			
			W355H,W355H,FAS355H			
1	1	1	438 5450-27	Cables	Kablage	3 Motor control, X75-X94
2	1		438 5450-25	Cables	Kablage	3 Door lock, X71 W255H
		1	438 5450-26	Cables	Kablage	3 W355H
3	1	1	438 3082-13	Cables	Kablage	3 2-pole trafo-trafo Transformer, X78
4	1	1	438 5450-32	Cables	Kablage	3 Drain, X79
5	1	1	438 3086-04	Cables	Kablage	3 Cold water, X80
6	1	1	438 3084-08	Cables	Kablage	3 Hot water, X81
7	1	1	438 3082-07	Cables	Kablage	3 Hard water, X82
8	1	1	438 3082-58	Cables	Kablage	3 Heating, X83
9	1		438 5450-18	Cables	Kablage	3 Fuse
		1	438 5450-08	Cables	Kablage	3 Fuse
		1	438 5450-09	Cables	Kablage	3 Fuse, transformer
10	1	1		Cables	Kablage	3 Coin-meter, X77
11	1	1		Cables	Kablage	3 O-price, X76
12	1	1	438 5450-26	Cables	Kablage	3 Temp. sensor, X74
13	1	1	438 3087-05	Cables	Kablage	3 Transformer, X72
14	1		438 5450-43	Cables	Kablage	3 Motor, X92
		1	438 5450-44	Cables	Kablage	3 Motor, X92
15	1	1	438 5157-01	Cover	Skydd	3
16	1	1	438 5450-51	Cables	Kablage	3 Heating -55/114476
		1	438 5450-50	Cables	Kablage	3 Heating Heating 55/114477-55/117687
		1	438 5450-51	Cables	Kablage	3 Heating 55/117688-
		1	438 5450-50	Cables	Kablage	3 Heating Heating 55/114477-
* 17	1	1	432 2945-01	Cables	Kablage	3 X127, X129
18	1	1	438 7950-02	Cover washer	Täckbricka	3 14-pole
19	1	1	438 7950-01	Cover washer	Täckbricka	3 4-pole



Issue	Month	Year
01	07	00

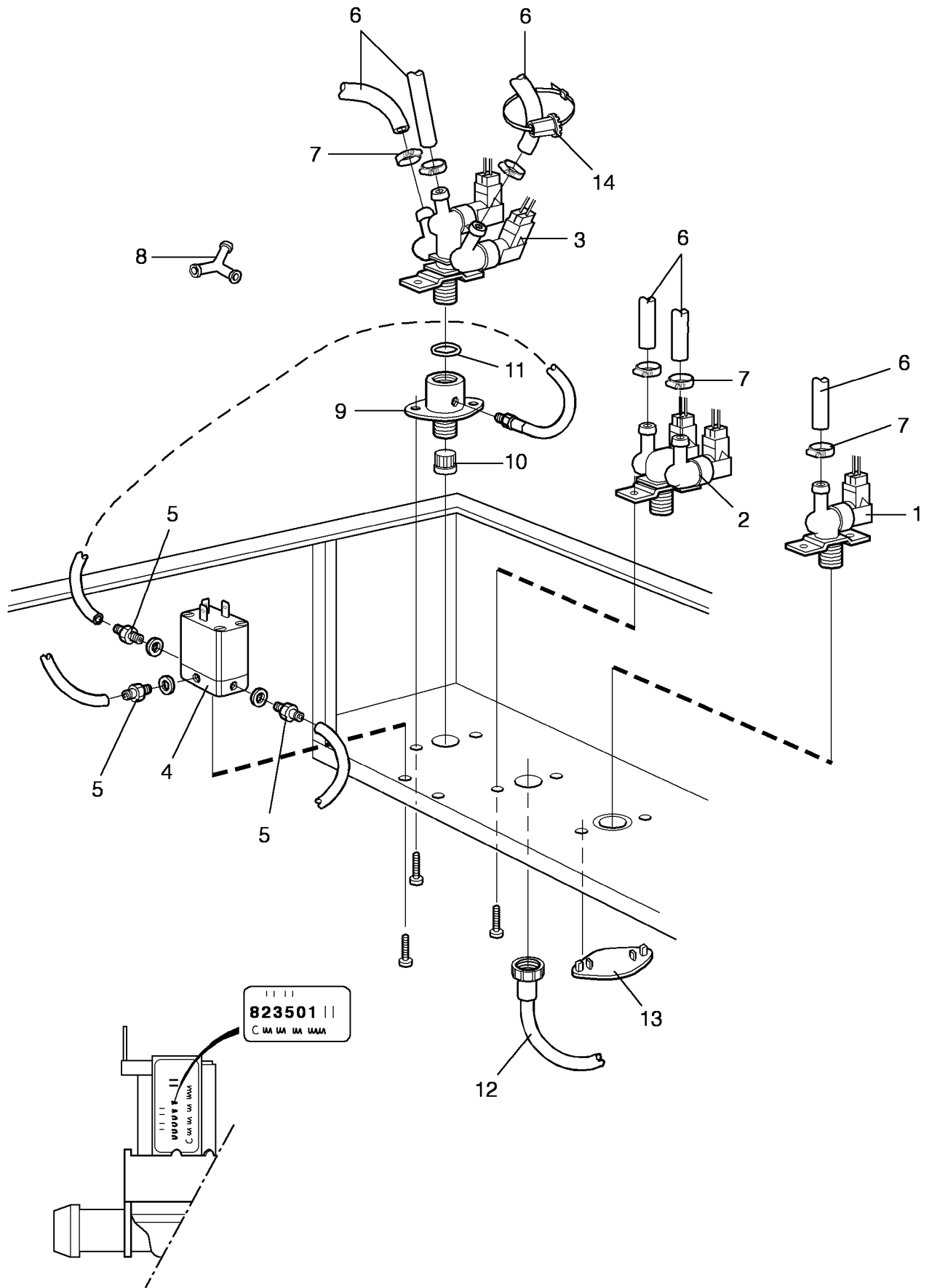
W255H,W355H,FAS355H

Hoses

Illustration Issue Month Year
Illustration Utgåva Månad År
101903/1 1 6 2000

Slangar

Item Pos.	Qua Ant.	Art.No Art.nr	Description	Benämning	Info Info	Notes Anmärkning
1	1	438 5018-01	Hose	Slang	1,2	Drum-pump
2	1	471 8269-01	Pump	Pump	1,2	
3	1	471 7871-07	Hose clamp	Slangklämma	3	
4	1	736 2837-51	Hose clamp	Slangklämma	3	Ø48-54
5	1	471 6858-85	Hose	Slang	1	
6	1	471 6858-84	Hose clamp	Slangklämma	3	
7	1	471 6858-86	Plug	Plugg	3	
8	1	438 5032-01	Hose	Slang	1	Circulation
9	2	736 2819-51	Hose clamp	Slangklämma	3	
10	1	471 7871-05	Hose clamp	Slangklämma	3	No.5
11	1	471 6858-82	Drain hose	Avloppsslang	1	Pump-drain
12	1	736 2825-51	Hose clamp	Slangklämma	3	Ø32
13	1	438 5022-01	Discharge	Avlastning	3	
14	RQ	736 2840-51	Hose clamp	Slangklämma	3	Ø50-63
15	1	471 6859-66	Cover	Skydd	3	
16	1	438 5025-01	Hose	Slang	1	Drum-Drain
17	1	471 8139-03	Hose	Slang	1	
18	1	471 8688-13	Nipple	Nippel	1	1/8"
19	1	438 5026-01	Hood	Huv	3	
20	1	438 5039-01	Hose	Slang	3	
21	1	736 2828-51	Hose clamp	Slangklämma	3	
22	1	471 7871-06	Hose clamp	Slangklämma	3	
23	1	438 5034-01	Cover	Skydd	3	
24	1	471 7872-02	Clamp	Klamma	3	
25	3	471 8139-09	Hose	Slang	1	L=1650
26	1	472 9903-72	Pressure chamber	Tryckkammare	1	Complete
27	1	438 5024-01	•Pressure chamber	•Tryckkammare	1	
28	1	438 5023-01	•Pipe	•Rör	3	
29	1	471 2401-52	•Nipple	•Nippel	3	
30	1	471 8142-03	Hose sleeve	Slanghylsa	3	L=250
31	2	471 7874-01	Clip	Clips	3	
32	RQ	877 5211-08	Hose	Slang	1	Per 1 m
33	RQ	736 2816-51	Hose clamp	Slangklämma	3	Ø13-19
34	1	438 5191-01	Hose	Slang	1	
35	1	438 5187-01	Hose	Slang	1	
36	1	736 2843-51	Hose clamp	Slangklämma	3	Ø63-73
37	1	471 7871-08	Hose clamp	Slangklämma	3	



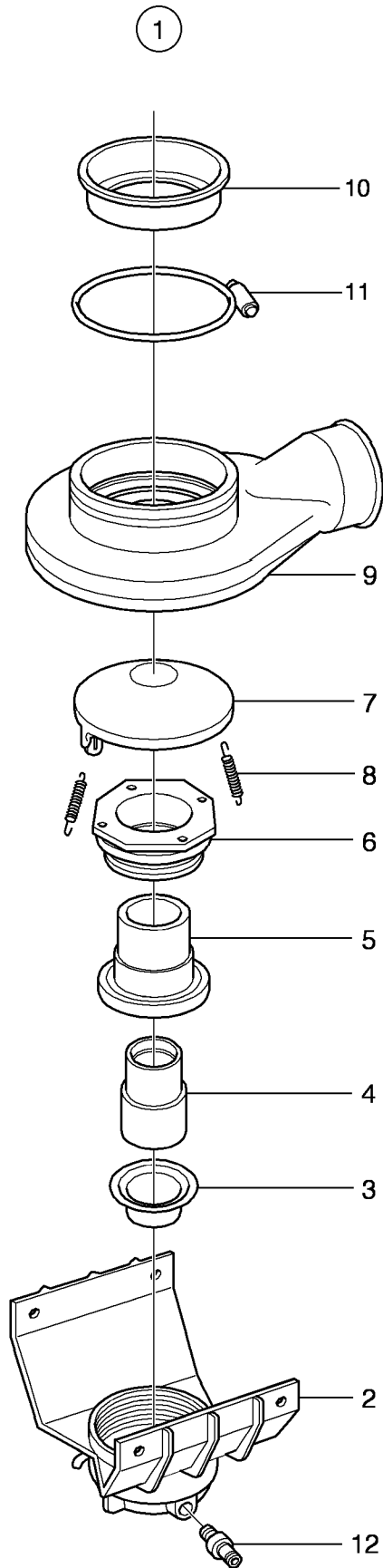
W255H,W355H,FAS355H

Water alternatives

Vattenalternativ

Illustration	Issue	Month	Year
Illustration	Utgåva	Månad	År
101904/1	1	6	2000

Item Pos.	Qua Ant.	Art.No Art.nr	Description	Benämning	Info Info	Notes Anmärkning
1	1		Valve	Ventil		1-way See illustr. 100799
2	1		Valve	Ventil		2-way See illustr. 100798
3	1		Valve	Ventil		3-way See illustr. 100797
4	1	471 8243-04	Solenoid valve	Magnetventil	1,2	220-240V 50Hz
	1	471 8243-05	Solenoid valve	Magnetventil	1,2	208-240V 60Hz
5	3	471 8688-12	Nipple	Nippel	3	1/4"
6	RQ	877 5211-08	Hose	Slang	1	Per 1 m
7	RQ	736 2816-51	Hose clamp	Slangklämma	3	Ø13-19
8	1	471 8628-21	Y-pipe	Y-rör	3	
9	1	438 0056-03	Nipple	Nippel	3	Black, 3/4"
10	1	471 8693-21	Filter	Filter	3	
11	1	471 8199-01	Gasket	Packning	3	
12	2	438 5031-01	Hose	Slang	1	
13	RQ	472 6761-01	Cover washer	Täckbricka	3	
14	1	471 4792-01	Tool	Verktyg	3	



101082

Issue	Month	Year
02	04	95

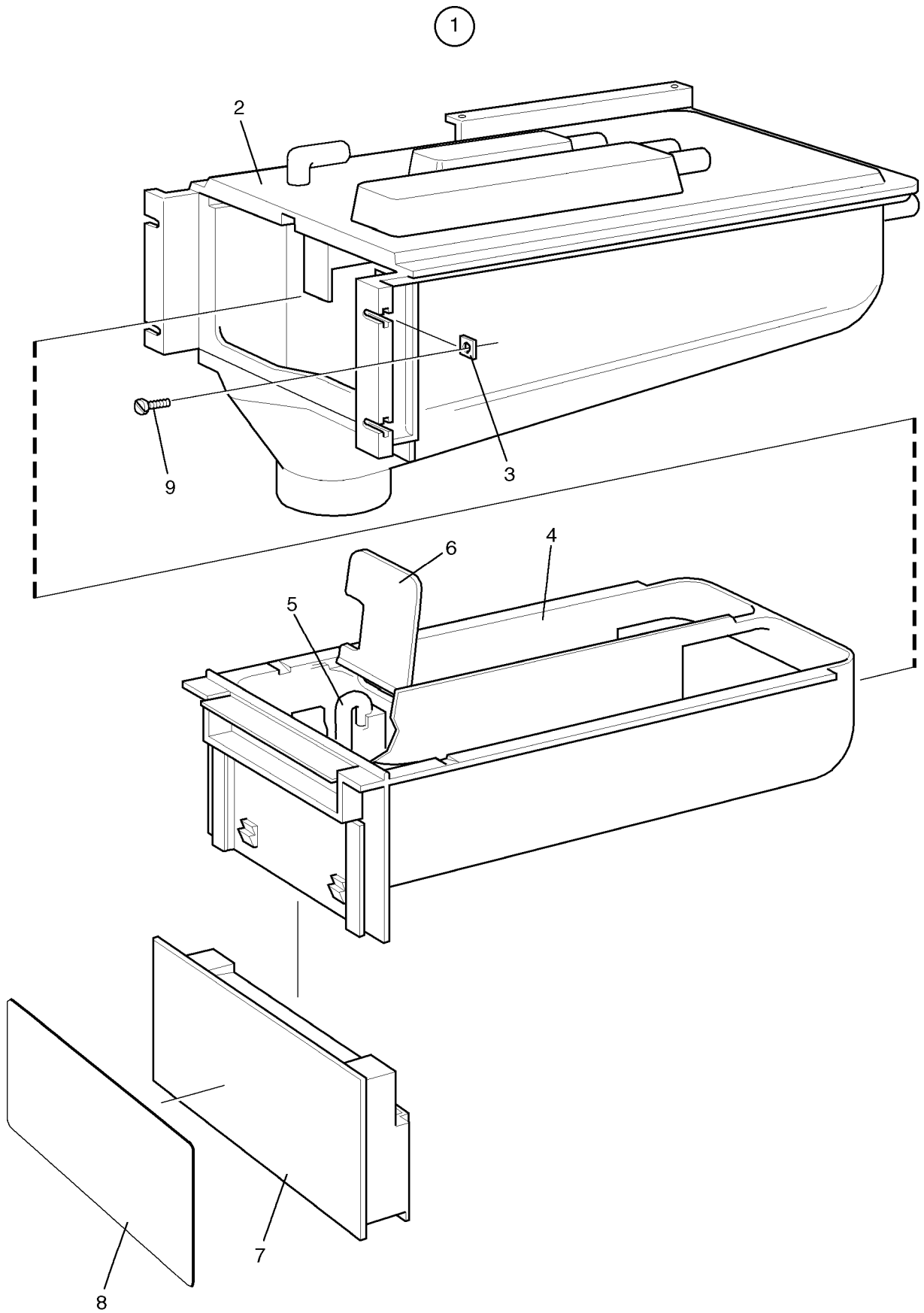
W255H,W355H,FAS355H

Drain valve

Avloppsventil

Illustration Issue Month Year
Illustration Utgåva Månad År
101082 1 6 2000

Item Pos.	Qua Ant.	Art.No Art.nr	Description	Benämning	Info Info	Notes Anmärkning
1	1	438 0093-02	Drain valve	Avloppsventil	1,2	Complete
2	1	438 0051-01	•Lower frame	•Underdel	1	
3	1	471 8195-01	•Diaphragm	•Membran	1	
4	1	438 0054-01	•Piston	•Kolv	3	
5	1	438 0053-01	•Housing	•Hus	3	
6	1	438 0055-01	•Gland	•Gland	3	
7	1	438 0052-01	•Cover	•Lock	3	
8	2	471 7801-07	•Spring	•Fjäder	1	
9	1	438 5017-01	•Hose	•Slang	1	
10	1	438 5016-01	•Rubber ring	•Manschett	1	
11	1	471 7871-02	Hose clamp	Slangklämma	3	
12	1	471 8688-13	Nipple	Nippel	1	1/8"



101905

Issue	Month	Year
04	06	00

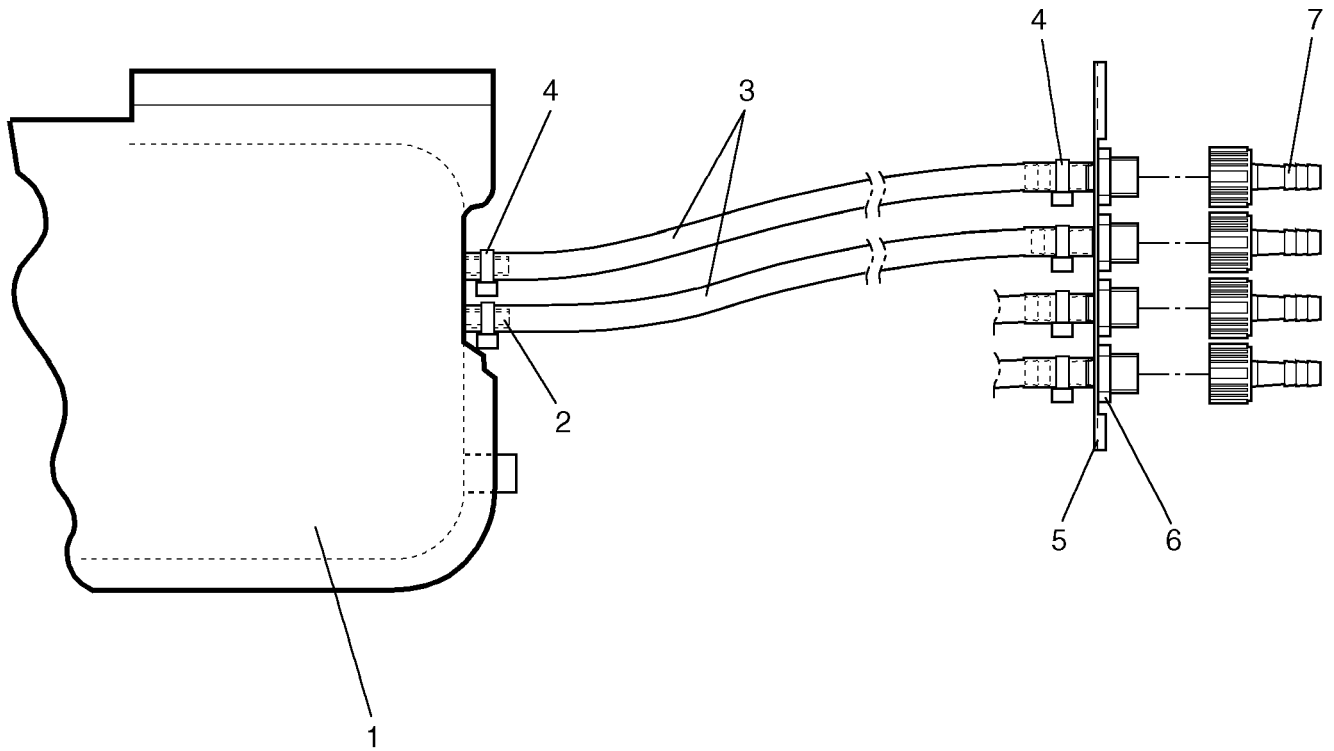
W255H,W355H,FAS355H

Detergent container

Tvättmedelslåda

Illustration Issue Month Year
Illustration Utgåva Månad År
101905/1 3 3 2002

Item Pos.	Quantity Antal	Art.No Art.nr	Description	Benämning	Info Info	Notes Anmärkning
			W255H,W255H			
			W355H,W355H,FAS355H			
1	1	1	472 9903-46 Detergent container	Tvättmedelsbehållare	1	Complete
2	1	1	•Cabinet	•Ytterhölje	1	
* 3	4	4	471 8401-02 ••Nut	••Mutter	3	
4	1	1	472 9903-45 •Box	•Låda	1	
5	1	1	472 6006-02 ••Siphon	••Hävert	1	
6	1	1	438 5072-01 ••Cover	••Lock	3	
7	1	1	438 5082-10 Handle	Handtag	1	
8	1	1	471 7781-21 Type plate	Typskylt	3	Electrolux-Wascator W255H
		1	471 7781-01 Type plate	Typskylt	3	Electrolux-Wascator W355H
		1	471 7781-02 Type plate	Typskylt	3	Nyborg W355H
		1	471 7781-03 Type plate	Typskylt	3	Zanussi W355H
		1	471 7781-06 Type plate	Typskylt	3	Dubix FAS355H
		1	471 7781-04 Type plate	Typskylt	3	Wascomat
9	4	4	471 8344-15 Screw	Skruv	3	



102129

Issue	Month	Year
01	01	02

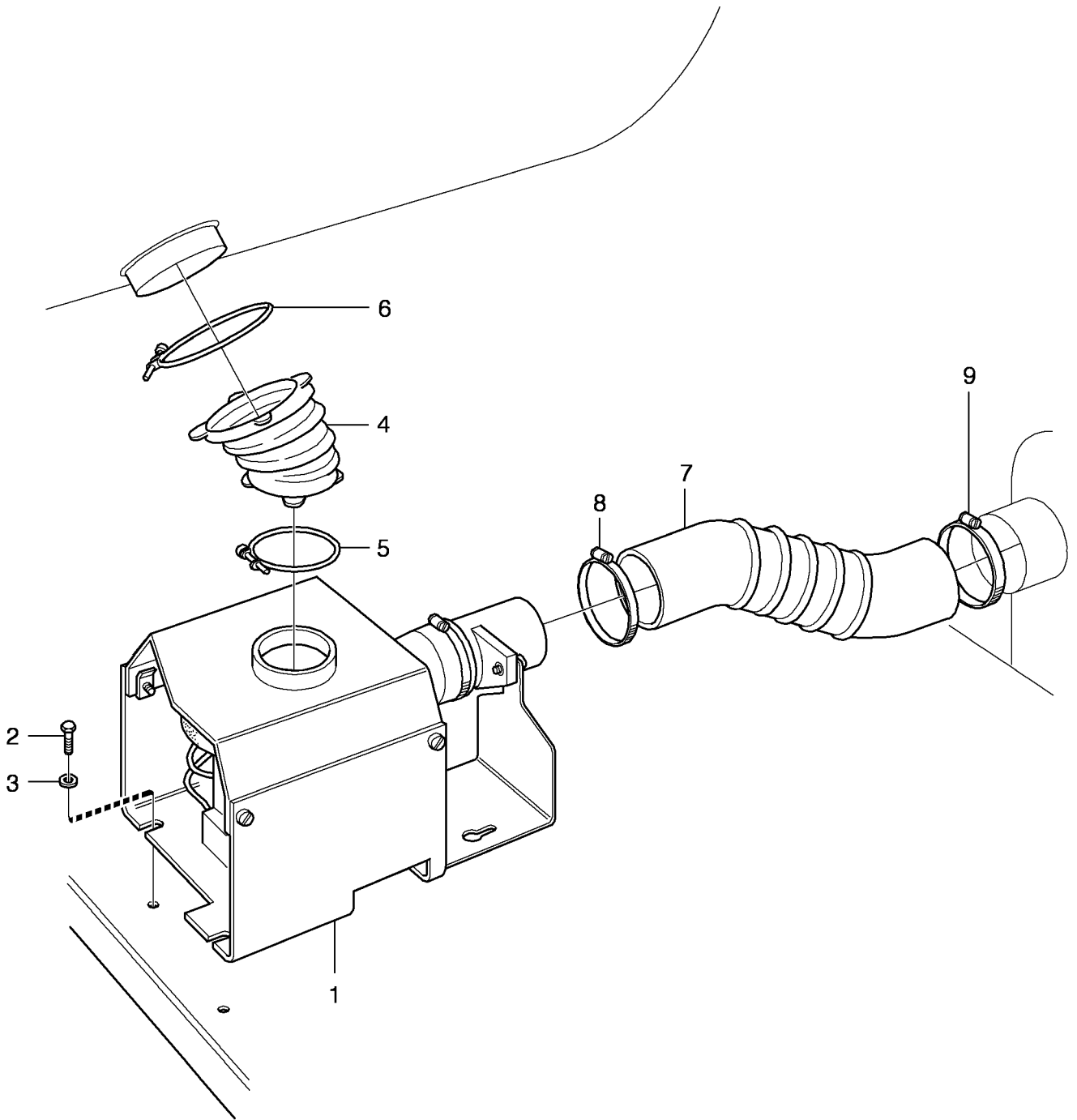
W255H,W355H,FAS355H

Liquid detergent

Flytande tvättmedel

Illustration Issue Month Year
Illustration Utgåva Månad År
102129/1 1 1 2002

Item Pos.	Quantity Antal	Art.No Art.nr	Description	Benämning	Info Info	Notes Anmärkning
			W255H,W255H			
			W355H,W355H,FAS355H			
1	1	1	438 5068-02 Detergent container	Tvättmedelsbehållare	3	
2	Rq	Rq	471 8144-51 Hose	Slang	1	L=15
3	Rq	Rq	471 8144-11 Hose	Slang	1	L=360
4	Rq	Rq	471 7873-01 Cable tie	Buntband	3	
5	1	1	438 4265-01 Bracket	Vridskydd	3	
6	Rq	Rq	471 8682-02 Hose nipple	Slangnippel	3	
7	Rq	Rq	471 8682-03 Hose nipple	Slangnippel	3	



101178

Issue	Month	Year
01	05	94

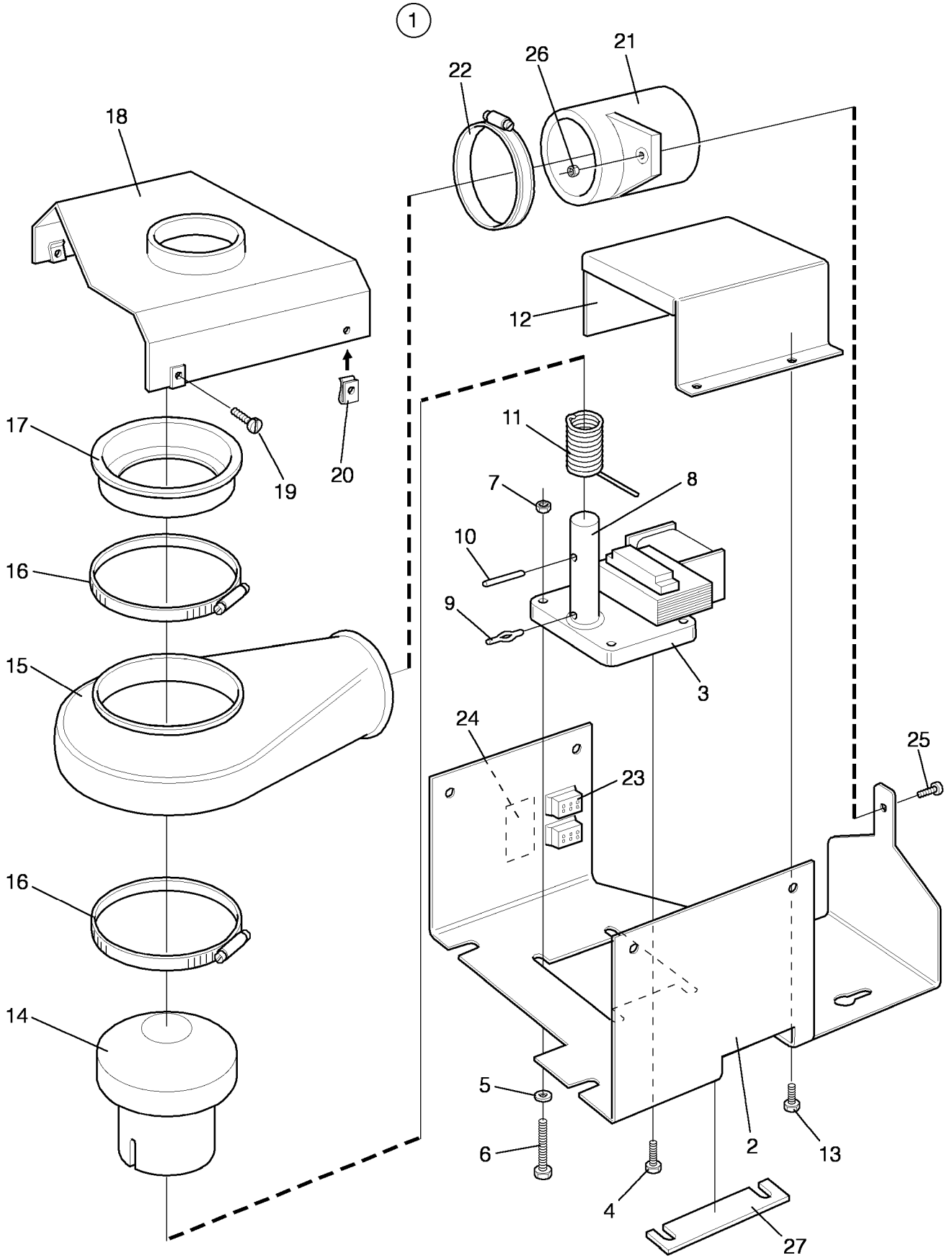
W255H,W355H,FAS355H

Electric drain valve

El. avloppsventil

Illustration	Issue	Month	Year
Illustration	Utgåva	Månad	År
101178	1	6	0

Item Pos.	Qua Ant.	Art.No Art.nr	Description	Benämning	Info Info	Notes Anmärkning
1	1	472 8754-21	Drain valve	Avloppsventil	1,2	See illustr. 101906
2	3	725 2327-61	Screw	Skruv	3	M6SF 5X12
3	2	735 2146-01	Washer	Bricka	3	M5
4	1	438 5177-01	Hose	Slang	1	
5	1	471 7871-05	Hose clamp	Slangklämma	3	
6	1	471 7871-04	Hose clamp	Slangklämma	3	
7	1	438 5184-01	Hose	Slang	1	
8	1	736 2840-51	Hose clamp	Slangklämma	3	Ø50-63
9	1	736 2837-51	Hose clamp	Slangklämma	3	Ø48-54



101906

Issue	Month	Year
01	07	00

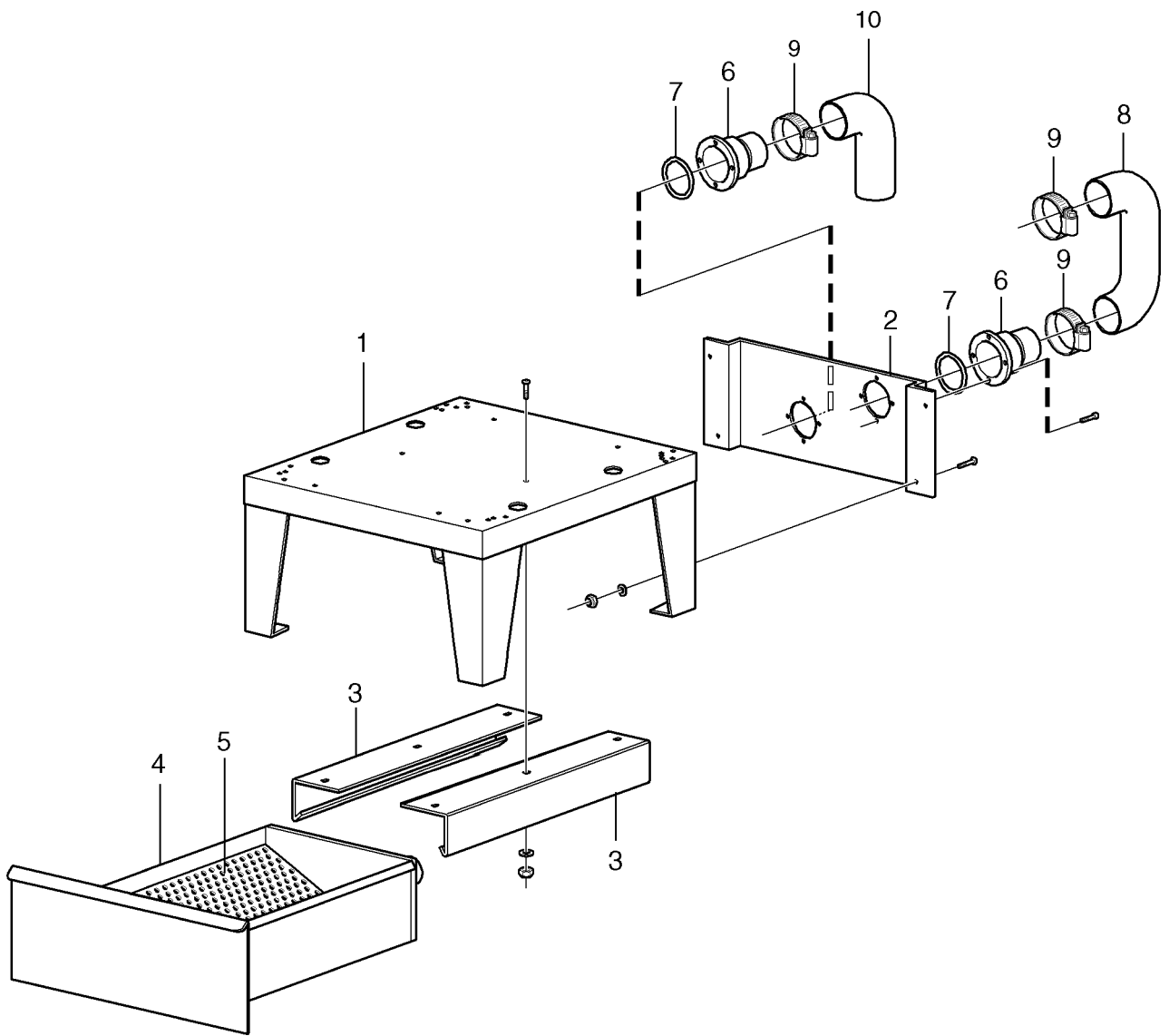
W255H,W355H,FAS355H

Electrical drain valve

Elektrisk avloppsventil

Illustration	Issue	Month	Year
Illustration	Utgåva	Månad	År
101906/1	1	6	2000

Item Pos.	Qua Ant.	Art.No Art.nr	Description	Benämning	Info Info	Notes Anmärkning
1	1	472 8754-21	Drain valve	Avloppsventil	1,2	
2	1	438 5181-02	•Bracket	•Konsol	3	
3	1	471 9727-01	•Motor	•Motor	1,2	220V 50/60Hz
4	4	471 8341-24	•Screw	•Skruv	3	MRX 5X12
5	2	735 2146-01	•Washer	•Bricka	3	M5
6	1	471 8341-19	•Screw	•Skruv	3	MRT 4X40
7	1	731 2312-01	•Nut	•Mutter	3	M4
8	1	472 6016-00	•Piston	•Kolvstång	1	
9	1	721 1252-35	•Pin	•Pinne	3	
10	1	472 6017-00	•Shaft	•Axel	3	
11	1	471 7804-01	•Torsion spring	•Vridfjäder	1	
12	1	438 5182-02	•Cover	•Skydd	3	
13	2	471 8340-12	•Screw	•Skruv	3	RTS 3,5X9,5
14	1	472 6015-00	•Piston	•Kolv	1	
15	1	472 6013-00	•Hose	•Slang	1	
16	2	736 2849-51	•Hose clamp	•Slangklämma	3	Ø77-93
17	1	472 6012-00	•Rubber ring	•Manschett	1,2	
18	1	438 5189-01	•Hose connection	•Slanganslutning	3	
19	4	471 8341-24	•Screw	•Skruv	3	MRX 5X12
20	4	471 7864-02	•Clip	•Clips	3	M5
21	1	438 5020-02	•Distance piece	•Mellanstycke	3	
22	1	736 2840-51	•Hose clamp	•Slangklämma	3	Ø50-63
23	2	762 3131-01	•Insulator	•Isolator	3	
24	1	471 7691-01	•Sign	•Skylt	3	
25	1	471 8341-24	•Screw	•Skruv	3	MRX 5X12
26	1	732 2114-01	•Locking nut	•Låsmutter	3	M5
27	4	438 5199-01	Washer	Mellanlägg	3	



101974

Issue	Month	Year
03	03	02

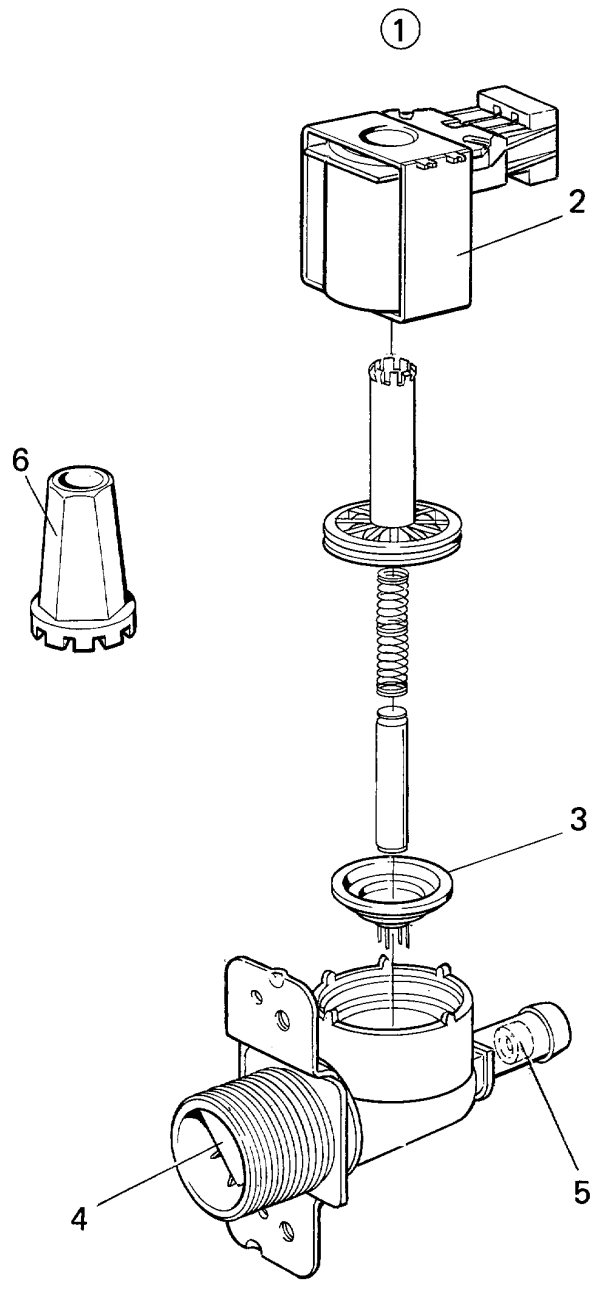
W255H,W355H,FAS355H

Base with lint box

Sockel med luddlåda

Illustration	Issue	Month	Year
Illustration	Utgåva	Månad	År
101974/3	3	3	2002

Item Pos.	Qua Ant.	Art.No Art.nr	Description	Benämning	Info Info	Notes Anmärkning
* 1	1	438 5145-01	Base for lint box	Sockel för luddlåda	3	
2	1	438 5241-01	Plate	Plåt	3	
* 3	2	438 5242-01	Guide	Gejder	3	
4	1	438 5247-01	Box	Låda	3	Complete
5	1	438 5249-01	Lint screen	Luddfilter	1,2	
* 6	2	432 1273-01	Drain pipe connection	Avloppsstos	3	
* 7	2	438 8104-01	Seal	Tätning	3	
* 8	1	438 5245-01	Drain hose	Avloppsslang	1	
* 9	3	736 2837-51	Hose clamp	Slangklämma	3	Ø48-54
* 10	1	438 5040-01	Drain hose	Avloppsslang	3	



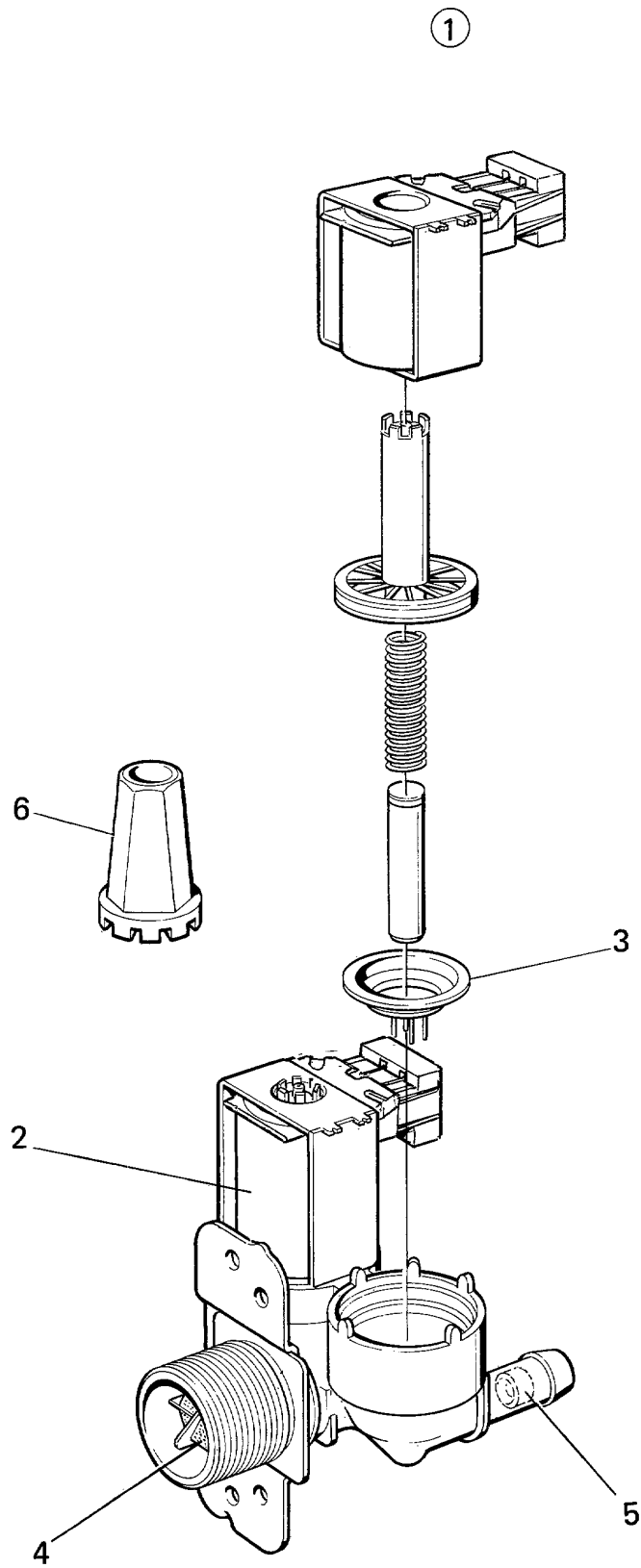
W255H,W355H,FAS355H

Inlet valve 3/4", 1-way

Tilloppsventil 3/4",1-vägs

Illustration Issue Month Year
Illustration Utgåva Månad År
100799 1 6 2000

Item Pos.	Qua Ant.	Art.No Art.nr	Description	Benämning	Info Info	Notes Anmärkning
1	1	471 8234-51	Valve	Ventil	1,2	120V 60Hz
	1	471 8234-52	Valve	Ventil	1,2	
	1	471 8234-53	Valve	Ventil	1,2	
	1	471 8234-56	Valve	Ventil	1,2	
	1	471 8234-58	Valve	Ventil	1,2	
	1	471 8234-61	Valve	Ventil	1,2	
	1	471 8234-62	Valve	Ventil	1,2	
	1	471 8234-63	Valve	Ventil	1,2	
	2	1	471 6860-15	•Coil	•Spole	
1		471 6860-16	•Coil	•Spole	1,2	120V Orange
1		471 6860-17	•Coil	•Spole	1,2	120V White
1		471 6860-18	•Coil	•Spole	1,2	Green
1		471 6860-19	•Coil	•Spole	1,2	Orange
1		471 6860-20	•Coil	•Spole	1,2	White
3	1	471 8234-98	•Diaphragm	•Membran	1,2	NITRIL
	1	471 8234-92	•Diaphragm	•Membran	1,2	EPDM
4	1	471 8234-94	•Filter	•Filter	1	
5	1	471 8234-95	•Restrictor	•Strypbricka	3	2,5l/min
	1	471 8234-96	•Restrictor	•Strypbricka	3	5,5l/min
6	1	471 4792-01	Tool	Verktyg	3	



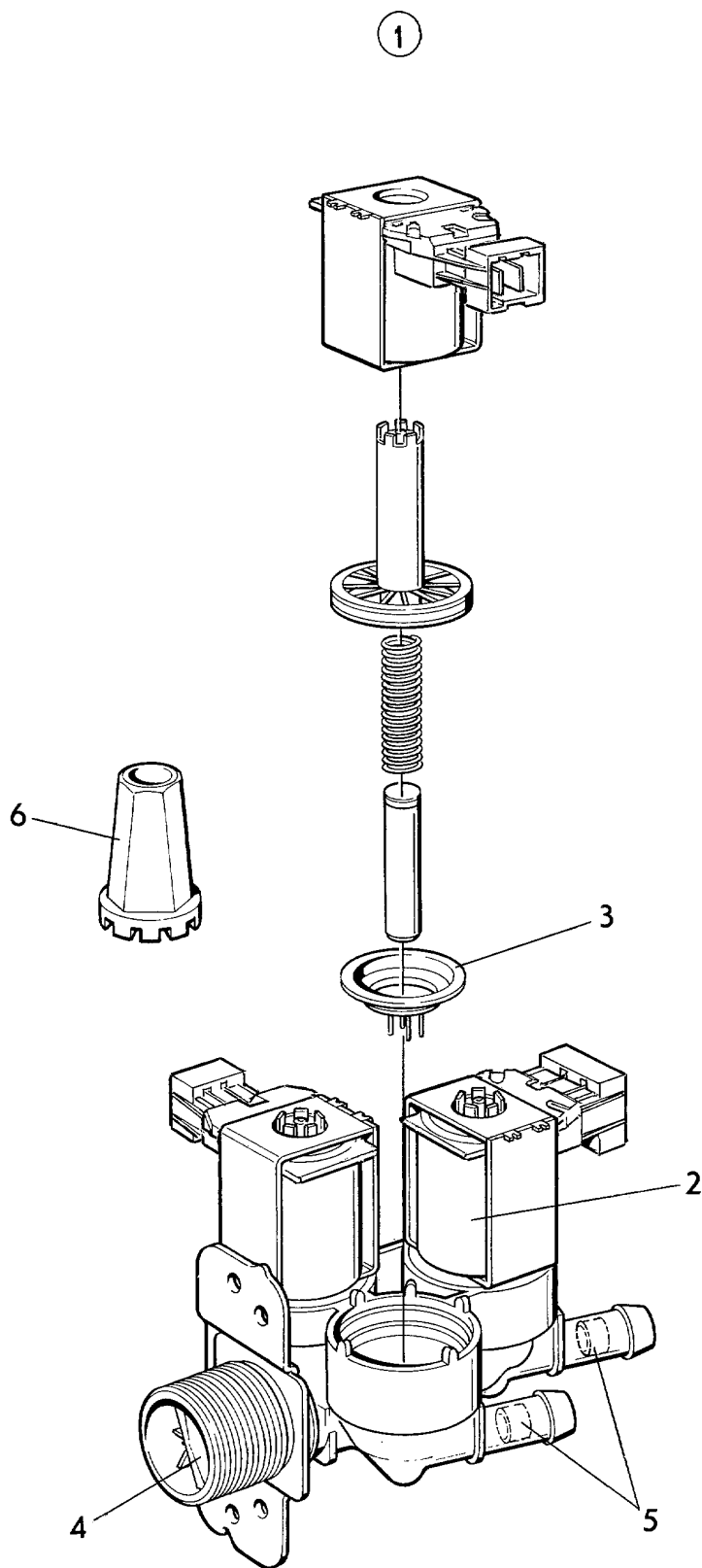
W255H,W355H,FAS355H

Inlet valve 3/4" , 2-way

Tilloppsventil 3/4" ,2-vägs

Illustration	Issue	Month	Year
Illustration	Utgåva	Månad	År
100798	1	6	2000

Item Pos.	Qua Ant.	Art.No Art.nr	Description	Benämning	Info Info	Notes Anmärkning	
1	1	471 8235-51	Valve	Ventil	1,2		
	1	471 8235-54	Valve	Ventil	1,2	240V 60Hz 2-way USA	
	1	471 8235-57	Valve	Ventil	1,2	120V 60Hz 2-way USA	
	1	471 8235-59	Valve	Ventil	1,2	EPDM 208-240V 60Hz 2-way USA	
	1	471 8235-58	Valve	Ventil	1,2	50/60Hz	
	1	471 8235-60	Valve	Ventil	1,2		
	1	471 8235-62	Valve	Ventil	1,2	16L	
	2	1	471 6860-15	•Coil	•Spole	1,2	120V Green
		1	471 6860-16	•Coil	•Spole	1,2	120V Orange
		1	471 6860-17	•Coil	•Spole	1,2	120V White
1		471 6860-18	•Coil	•Spole	1,2	Green	
1		471 6860-19	•Coil	•Spole	1,2	Orange	
3	1	471 6860-20	•Coil	•Spole	1,2	White	
	1	471 8234-98	•Diaphragm	•Membran	1,2	NITRIL	
4	1	471 8234-92	•Diaphragm	•Membran	1,2	EPDM	
5	1	471 8234-94	•Filter	•Filter	1		
6	1	471 8234-95	•Restrictor	•Strypbricka	3	2,5l/min	
	1	471 8234-96	•Restrictor	•Strypbricka	3	5,5l/min	
6	1	471 4792-01	Tool	Verktyg	3		



W255H,W355H,FAS355H

Inlet valve 3/4" , 3-way

Tilloppsventil 3/4" ,3-vägs

Illustration	Issue	Month	Year
Illustration	Utgåva	Månad	År
100797	1	6	2000

Item Pos.	Qua Ant.	Art.No Art.nr	Description	Benämning	Info Info	Notes Anmärkning	
1	1	471 8236-52	Valve	Ventil	1,2		
	1	471 8236-56	Valve	Ventil	1,2		
	1	471 8236-60	Valve	Ventil	1,2		
	1	471 8236-62	Valve	Ventil	1,2		
	1	471 8236-64	Valve	Ventil	1,2		
	1	471 8236-57	Valve	Ventil	1,2		
	1	471 8236-68	Valve	Ventil	1,2		
	1	471 8236-66	Valve	Ventil	1,2	EPDM 2, 120V 60Hz 3-way	
	1	471 8236-65	Valve	Ventil	1,2	EPDM 2, 240V 60Hz 3-way	
	1	471 8236-73	Valve	Ventil	1,2		
	1	471 8236-76	Valve	Ventil	1,2	3-way	
	2	1	471 6860-15	•Coil	•Spole	1,2	120V Green
		1	471 6860-16	•Coil	•Spole	1,2	120V Orange
1		471 6860-17	•Coil	•Spole	1,2	120V White	
1		471 6860-18	•Coil	•Spole	1,2	Green	
1		471 6860-19	•Coil	•Spole	1,2	Orange	
1		471 6860-20	•Coil	•Spole	1,2	White	
3		1	471 8234-98	•Diaphragm	•Membran	1,2	NITRIL
	1	471 8234-92	•Diaphragm	•Membran	1,2	EPDM USA	
4	1	471 8234-94	•Filter	•Filter	1		
5	1	471 8234-95	•Restrictor	•Strypbricka	3	2,5l/min	
	1	471 8234-96	•Restrictor	•Strypbricka	3	5,5l/min	
6	1	471 4792-01	Tool	Verktyg	3		

Numerical index/Nummerregister

Art.No/Art.nr	Page/Sida	Art.No/Art.nr	Page/Sida	Art.No/Art.nr	Page/Sida	Art.No/Art.nr	Page/Sida
432 1273-01*	35	438 5118-01	15	471 6858-82	21	471 8234-62	37
432 2945-01*	19	438 5119-02	15	471 6858-84	21	471 8234-63	37
438 0027-01	9	438 5123-01	9	471 6858-85	21	471 8234-92	37
438 0051-01	25	438 5124-01	9	471 6858-86	21	471 8234-92	39
438 0052-01	25	438 5124-02	9	471 6859-66	21	471 8234-92	41
438 0053-01	25	438 5127-01	15	471 6860-15	37	471 8234-94	37
438 0054-01	25	438 5137-03	15	471 6860-15	39	471 8234-94	39
438 0055-01	25	438 5137-04	15	471 6860-15	41	471 8234-94	41
438 0056-03	23	438 5138-04	13	471 6860-16	37	471 8234-95	37
438 0093-02	25	438 5143-01	9	471 6860-16	39	471 8234-95	39
438 3082-07	19	438 5143-03	9	471 6860-16	41	471 8234-95	41
438 3082-13	19	438 5145-01*	35	471 6860-17	37	471 8234-96	37
438 3082-58	19	438 5146-01	9	471 6860-17	39	471 8234-96	39
438 3084-08	19	438 5151-01	7	471 6860-17	41	471 8234-96	41
438 3086-04	19	438 5154-01	13	471 6860-18	37	471 8234-98	37
438 3087-05	19	438 5156-01	17	471 6860-18	39	471 8234-98	39
438 4265-01	29	438 5157-01	19	471 6860-18	41	471 8234-98	41
438 5016-01	25	438 5160-01	15	471 6860-19	37	471 8235-51	39
438 5017-01	25	438 5162-01	17	471 6860-19	39	471 8235-54	39
438 5018-01	21	438 5174-01	9	471 6860-19	41	471 8235-57	39
438 5020-01	9	438 5175-01	9	471 6860-20	37	471 8235-58	39
438 5020-02	33	438 5176-01	15	471 6860-20	39	471 8235-59	39
438 5021-01	9	438 5177-01	31	471 6860-20	41	471 8235-60	39
438 5022-01	21	438 5181-02	33	471 7691-01	33	471 8235-62	39
438 5023-01	21	438 5182-02	33	471 7700-12	15	471 8236-52	41
438 5024-01	21	438 5184-01	31	471 7781-01	27	471 8236-56	41
438 5025-01	21	438 5187-01	21	471 7781-02	27	471 8236-57	41
438 5026-01	21	438 5189-01	33	471 7781-03	27	471 8236-60	41
438 5031-01	23	438 5191-01	21	471 7781-04	27	471 8236-62	41
438 5032-01	21	438 5192-11	7	471 7781-06	27	471 8236-64	41
438 5034-01	21	438 5192-17	7	471 7781-21	27	471 8236-65	41
438 5039-01	21	438 5193-01	17	471 7801-07	25	471 8236-66	41
438 5040-01	9	438 5197-01	9	471 7804-01	33	471 8236-68	41
438 5040-01*	35	438 5199-01	33	471 7807-02	9	471 8236-73	41
438 5042-02*	7	438 5241-01	35	471 7864-02	9	471 8236-76	41
438 5050-01	15	438 5242-01*	35	471 7864-02	33	471 8243-04	23
438 5051-55	11	438 5245-01*	35	471 7871-02	25	471 8243-05	23
438 5052-01	11	438 5247-01	35	471 7871-04	31	471 8269-01	9
438 5054-05	11	438 5249-01	35	471 7871-05	21	471 8269-01	21
438 5055-01	11	438 5450-08	19	471 7871-05	31	471 8317-06	15
438 5058-01	15	438 5450-09	19	471 7871-06	21	471 8326-01	11
438 5060-01	11	438 5450-18	19	471 7871-07	21	471 8327-02	11
438 5061-01	15	438 5450-25	19	471 7871-08	21	471 8340-12	33
438 5067-06	11	438 5450-26	19	471 7872-02	21	471 8340-26	13
438 5068-02	29	438 5450-27	19	471 7873-01	29	471 8341-11	17
438 5072-01	27	438 5450-32	19	471 7874-01	21	471 8341-15	11
438 5075-05	11	438 5450-43	19	471 7958-02	17	471 8341-19	33
438 5076-01	11	438 5450-44	19	471 7967-01	17	471 8341-24	33
438 5077-01	11	438 5450-50	19	471 8139-03	21	471 8344-15	27
438 5078-01	11	438 5450-51	19	471 8139-09	21	471 8344-24	11
438 5081-02	7	438 5465-01	17	471 8142-03	21	471 8356-01	9
438 5081-11	7	438 5465-02	17	471 8144-11	29	471 8357-01	15
438 5081-12	7	438 5478-03	9	471 8144-51	29	471 8358-02	15
438 5081-16	7	438 5478-11	9	471 8149-01	9	471 8401-02*	27
438 5081-17	7	438 7950-01	19	471 8149-11	9	471 8454-07	7
438 5082-10	27	438 7950-02	19	471 8192-01	15	471 8502-05	15
438 5083-02	13	438 8104-01*	35	471 8194-01	9	471 8502-14	9
438 5084-01	7	438 9636-02*	17	471 8195-01	25	471 8502-14	15
438 5084-01	13	438 9636-03*	17	471 8196-01	7	471 8502-25	9
438 5085-01	13	471 2401-52	21	471 8199-01	23	471 8502-26	15
438 5088-02	7	471 2437-15	17	471 8234-51	37	471 8524-01	15
438 5108-11	11	471 4494-01	15	471 8234-52	37	471 8628-21	23
438 5109-02	7	471 4792-01	23	471 8234-53	37	471 8682-02	29
438 5114-01	7	471 4792-01	37	471 8234-56	37	471 8682-03	29
438 5115-01	15	471 4792-01	39	471 8234-58	37	471 8688-12	23
438 5117-01	15	471 4792-01	41	471 8234-61	37	471 8688-13	21

Numerical index/Nummerregister

Art.No/Art.nr	Page/Sida	Art.No/Art.nr	Page/Sida	Art.No/Art.nr	Page/Sida	Art.No/Art.nr	Page/Sida
471 8688-13	25	472 9904-12	7				
471 8693-21	23	472 9904-13	7				
471 8750-07	17	472 9904-15	7				
471 8750-14	17	472 9904-18	7				
471 8756-01	17	472 9904-20	7				
471 8756-51	17	472 9904-21	7				
471 8756-52	17	472 9904-24	7				
471 8759-01	17	472 9904-29	7				
471 8760-01	17	472 9904-48	9				
471 8778-01	17	472 9904-49	17				
471 8778-02	17	472 9904-65	7				
471 8780-32	17	472 9904-66	7				
471 8987-32	17	472 9904-67	7				
471 8988-02	13	472 9904-68	7				
471 9035-20	17	472 9904-69	7				
471 9222-59	15	472 9904-70	7				
471 9529-11	17	472 9904-71	7				
471 9529-12	17	472 9904-72	11				
471 9558-11	17	472 9904-73	11				
471 9629-02	17	472 9904-74	9				
471 9654-03	11	472 9904-79	7				
471 9660-51	17	472 9904-80	7				
471 9727-01	33	472 9904-83	15				
471 9740-51	9	472 9913-22	15				
471 9740-53	9	721 1252-35	33				
471 9813-01	15	725 2327-61	31				
471 9813-02	15	725 2461-51	9				
471 9813-03	15	725 2463-71	9				
472 5781-01	13	731 2312-01	33				
472 5781-02	13	731 2316-42	15				
472 5781-03	13	732 2114-01	33				
472 5781-04	13	732 2118-01	9				
472 5781-05	13	732 2118-01	15				
472 5781-06	13	732 2120-01	9				
472 5781-07	13	734 1146-09	11				
472 5781-08	13	735 2136-01	17				
472 5781-09	13	735 2146-01	11				
472 5781-10	13	735 2146-01	31				
472 5782-01	13	735 2146-01	33				
472 5782-02	13	736 2816-51	21				
472 5782-03	13	736 2816-51	23				
472 5782-04	13	736 2819-51	21				
472 5782-05	13	736 2825-51	21				
472 6006-02	27	736 2828-51	21				
472 6012-00	33	736 2837-51	21				
472 6013-00	33	736 2837-51	31				
472 6015-00	33	736 2837-51*	35				
472 6016-00	33	736 2840-51	9				
472 6017-00	33	736 2840-51	21				
472 6761-01	23	736 2840-51	31				
472 8754-21	31	736 2840-51	33				
472 8754-21	33	736 2843-51	21				
472 8969-03	17	736 2849-51	33				
472 9901-25	9	762 2109-05	17				
472 9901-26	9	762 3131-01	33				
472 9901-29	11	762 9101-11	17				
472 9901-37	11	877 5211-08	21				
472 9901-42	15	877 5211-08	23				
472 9901-77	11						
472 9901-81	9						
472 9901-96	15						
472 9903-34	7						
472 9903-45	27						
472 9903-46	27						
472 9903-72	21						
472 9903-78	15						

 **Electrolux**

Wascator

Electrolux Wascator AB, Spare Parts Division, 341 80 Ljungby, Sweden
Phone +46 372 661 00. Fax +46 372 861 75. E-mail: spare.parts@wascator.electrolux.se