

FOR 504 056-PH10/12 see 504 036-WT 60/12 ÷ FOR 504 057-PH10/12 RP see 504 037 WT 60/12UKRP

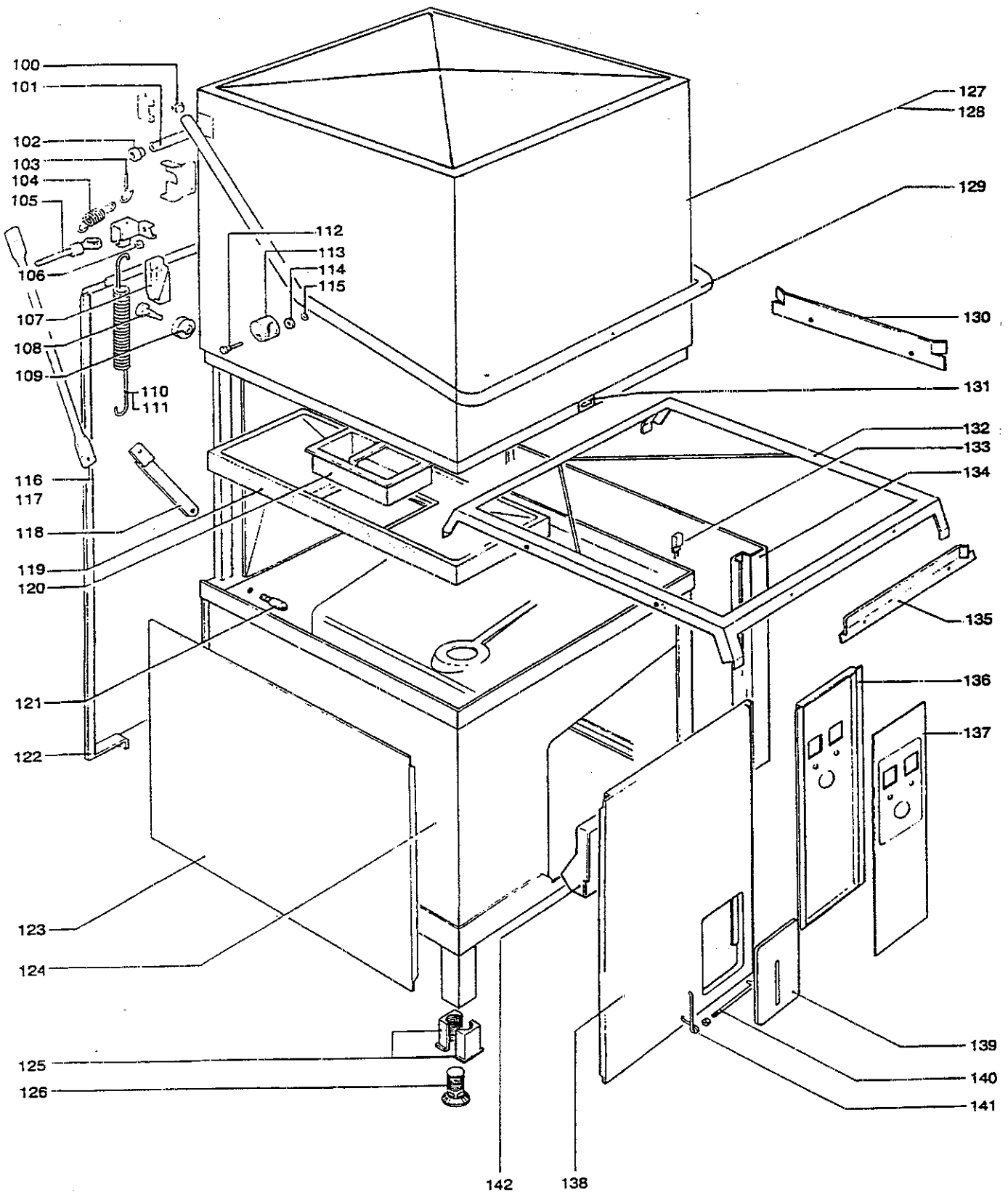
LAVASTOVIGLIE DA 1000A e 1200B piatti/h DISHWASHERS UP TO 1000A e 1200B dishes/hr							RIF. Da matricola REF From serial.
	a			b		c	
A	504 036 WT 60/12	504 037 WT 60/12UKRP	504 035 WT 60/9	504 034 WT 60/12UK	504 039 WT 60/12in	504 038 WT 60/9in	1 92 09 23 2 330... 3 420...
B						504 030 WT 60/emF	
							E 611.01-0

Model: 504037 - WT60/12UKRP - DISHWASHER 1200 D/H WASHTECH 60

List of Spare Parts Table: 61101-0 Page 1 - Main view

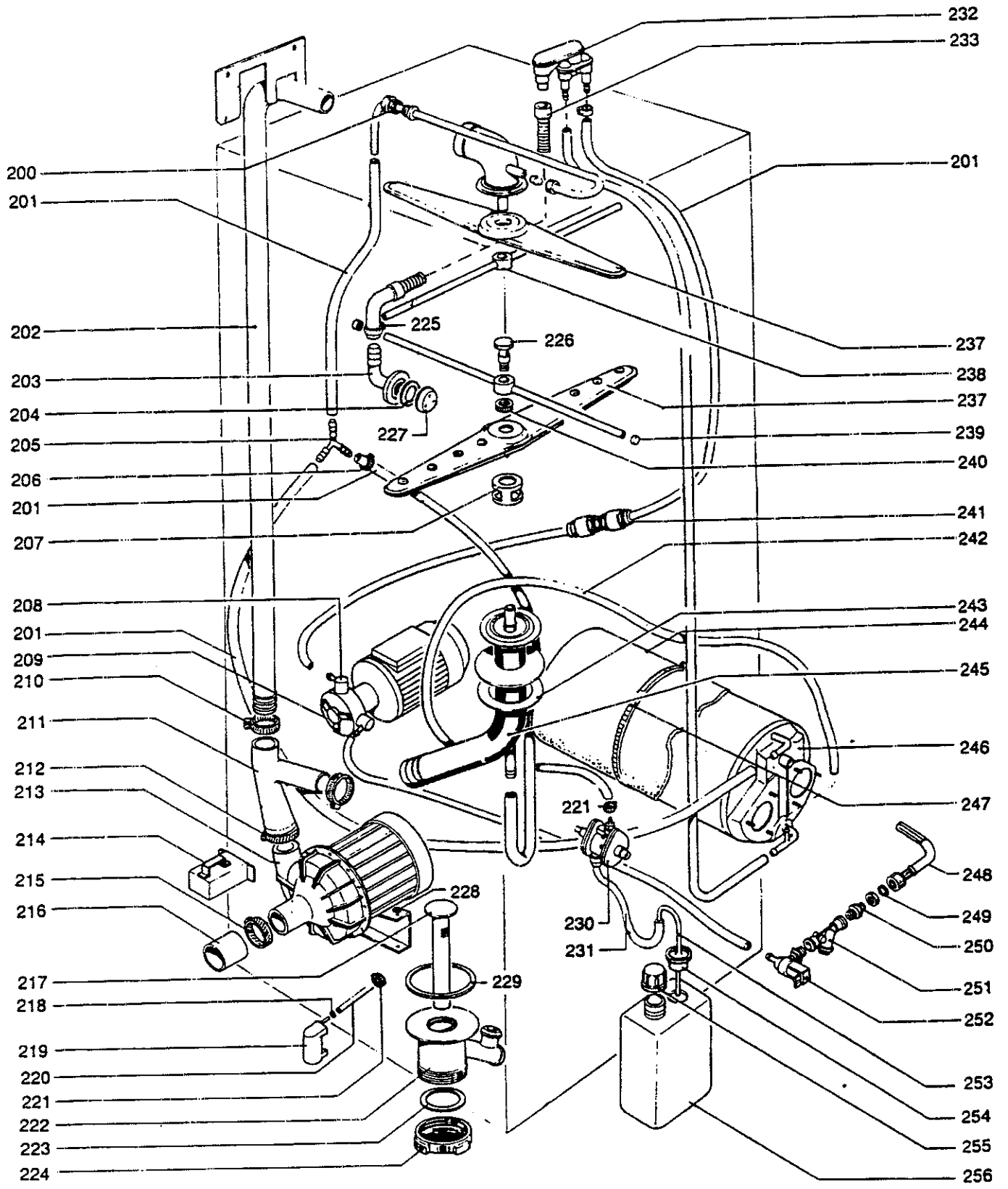
Pos.	Spare Part	Alias Code	Repl. by	S	Inf	Description	Notes	GBP B
0000	048232					PIN		9.02
0000	048251		049846			FILTER		0.00
0000	048252					FILTER		36.97
0000	048255			S		DISK		1.61
0000	048256					LEVER		15.03
0000	048259			S		WHEEL PIN		10.06
0000	048260			S		WHEEL		3.01
0000	048261			S		BUMPER		6.22
0000	048262		049761			BUSH		0.00
0000	048297			S		PIN		12.23
0000	048298			S		SAFETY SPRING		1.61
0000	048348			S		SUPPORT		10.06
0000	048349			S		PIN		14.40
0000	048351					HOSE		46.76
0000	048352					BUSH		2.03
0000	048353					HANDRAIL		61.23
0000	048354					CLOSURE		13.42
0000	048361					LEFT SIDE PANEL		65.98
0000	048424			S		SPRING	a	12.72
0000	048480				E	LEVER; PUSH UP	a	7.41
0000	048486			S		REED SWITCH; CYLINDRICAL		9.72
0000	048514		048860			TANK		0.00
0000	048516		049487			BASKET SUPPORT		0.00
0000	048517					HOOD	a	472.15
0000	048522					CONTROL PANEL	a,b	165.09
0000	048523					CONTROL PANEL	a,b	0.00
0000	048528				D	FRONT COVER	a,b	51.79
0000	048529					BACK PANEL		118.47
0000	048577					COVER		9.09
0000	048578					BASE WASHER; FOR FEET		0.00
0000	048608					RUNNER		16.01
0000	048609					RUNNER		15.45
0000	048667			S		MAGNET		2.59
0000	048748				D	RIGHT SIDE PANEL	a,b	56.48
0000	048801					CONTROL PANEL; ADHESIVE	a,b	42.78
0000	048856					SUPPORT		12.72
0000	048857					SUPPORT		13.91
0000	048860				D	TANK		279.93
0000	049137					CONTROL PANEL; ADHESIVE		62.91
0000	049430					BUSH		35.44
0000	053622				D	SPACER		13.91
0000	075767		049886			SPRING STRETCHER		0.00

Dishwasher Washtech 60



a	a	a	a	b	b	c
504034	504035	504036	504037	504038	504039	504030
WT60/12uk	WT60/9	WT60/12	WT50/12uk	WT60/9in	WT50/12in	WT50/emf

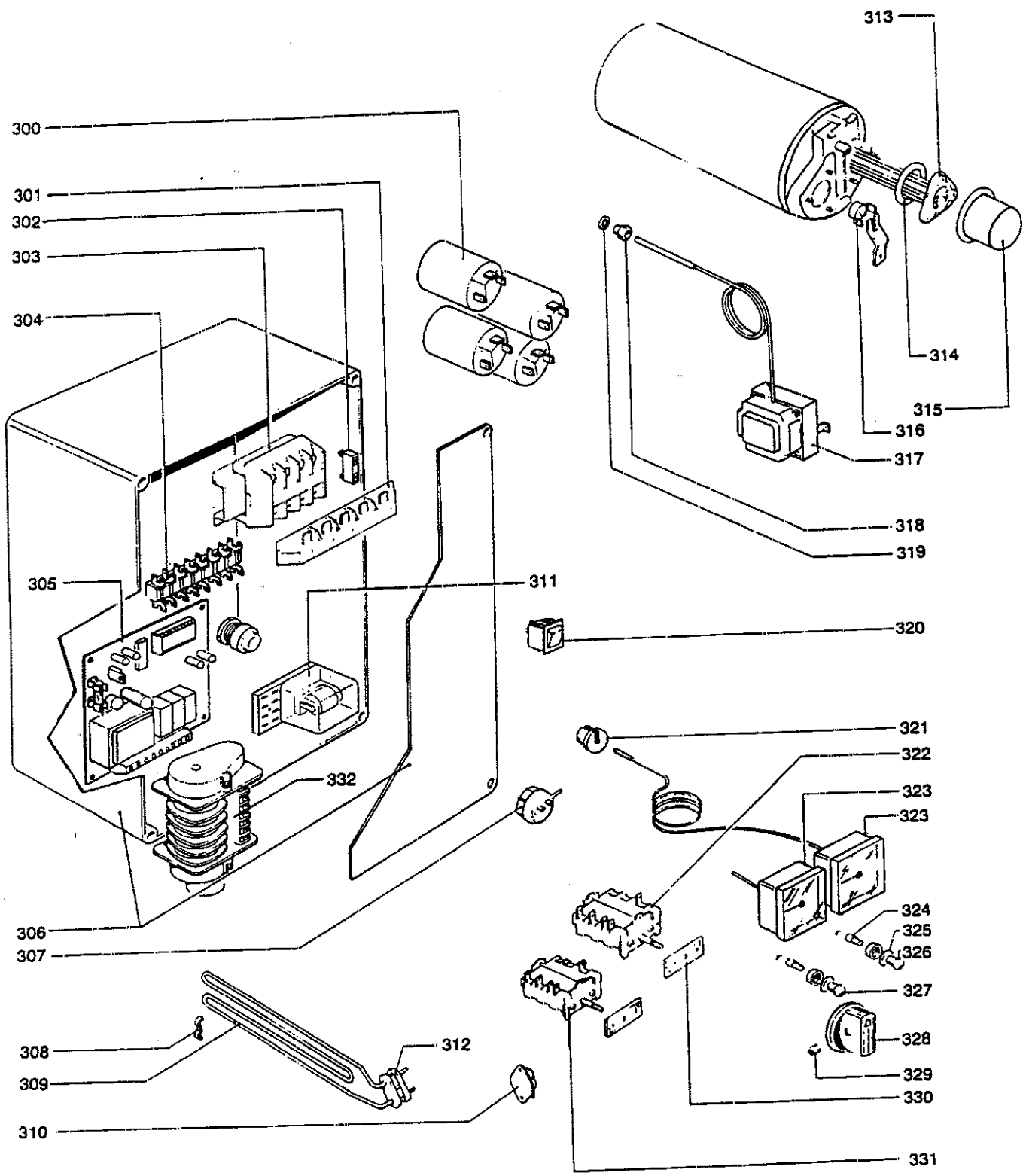
Pos.	Spare Part	Alias Code	Repl. by	S	Inf	Description	Notes	GBP B
0100	048354					CLOSURE		13.42
0101	048351					HOSE		46.76
0102	048352					BUSH		2.03
0103	075767		049886			SPRING STRETCHER		0.00
0104	048298			S		SAFETY SPRING		1.61
0105	048297			S		PIN		12.23
0106	048262		049761			BUSH		0.00
0107	048261			S		BUMPER		6.22
0108	048259			S		WHEEL PIN		10.06
0109	048260			S		WHEEL		3.01
0110	048424			S		SPRING	a	12.72
0112	048349			S		PIN		14.40
0113	048348			S		SUPPORT		10.06
0114	048181		046548			SHUTTER		0.00
0115	048255			S		DISK		1.61
0116	048480				E	LEVER; PUSH UP	a	7.41
0118	048256					LEVER		15.03
0119	048251		049846			FILTER		0.00
0120	048252					FILTER		36.97
0121	048232					PIN		9.02
0122	048529					BACK PANEL		118.47
0123	048361					LEFT SIDE PANEL		65.98
0124	048514		048860			TANK		0.00
0125	048577					COVER		9.09
0126	048622					Not on Price List		0.00
0127	048517					HOOD	a	472.15
0129	048353					HANDRAIL		61.23
0130	048609					RUNNER		15.45
0131	048254		048667			MAGNET		0.00
0132	048516		049487			BASKET SUPPORT		0.00
0133	048486			S		REED SWITCH; CYLINDRICAL		9.72
0134	048360				D	SIDE PANEL; RIGHT		62.91
0135	048608					RUNNER		16.01
0136	048522					CONTROL PANEL	a,b	165.09
0137	048718		048801			CONTROL PANEL	a,b	0.00
0138	048528				D	FRONT COVER	a,b	51.79



Model: 504037 - WT60/12UKRP - DISHWASHER 1200 D/H WASHTECH 60

Table: 6-41800 Page 2 - Hydraulic circuit

Pos.	Spare Part	Alias Code	Repl. by	S	Inf	Description	Notes	GBP B
0200	048245					GASKET		2.17
0201	048531			S		RUBBER HOSE; BY METER		7.90
0202	048240					HOSE		92.82
0203	048192			S		FLANGE		2.80
0204	065506			S		GASKET		0.56
0205	048195			S		CONNECTION		6.29
0206	048126			S		CLIP; 13-20		0.77
0207	048401			S		HUB FOR JETS; LS 7-8-10-12		32.57
0210	046878			S		HOSE CLAMP		1.12
0211	048241			S		FEED MANIFOLD		26.98
0212	046855			S		HOSE CLAMP		1.26
0213	048216			S		WASH PUMP; 230-400V 3P 50HZ 2HP		325.30
0214	048515		049810			FILTER FOR PUMP		0.00
0215	046853			S		HOSE CLAMP		1.47
0216	048242			S		COUPLING		7.69
0217	048250			S		OVERFLOW PIPE		7.48
0218	068573			S		SEALING RING		0.56
0219	046631			S		AIR TRAP		5.94
0220	048168		048883			Not on Price List		0.00
0221	048224		046946			HOSE CLAMP		0.00
0222	048430		0L0081			DRAIN MANIFOLD		8.32
0223	048230			S		GASKET		4.05
0224	048231			S		PLUG; FOR WASH ARM		3.29
0225	047578			S		HOSE CLAMP		1.12
0226	048290			S		PIN; FOR RINSE JET		17.47
0227	048193			S		PIPE UNION		2.10
0228	046925			S		GASKET; DIA 3/4"		0.63
0229	048229			S		GASKET		2.59
0230	048715		049484			RINSE AID DISPENSER		0.00
0231	048168		048883			Not on Price List		0.00
0232	048191			S		NONRETURN VALVE; DVGW		14.40
0233	048249		049747			HOSE		0.00
0237	048247		0L0597			WASHING JET		0.00
0238	048716			S		RINSE JET		61.72
0239	048714			S		PLUG; FOR WASH ARM		0.77
0240	048632			S		LOCK WASHER		6.57
0241	048414		049851			VALVE		0.00
0242	048226		048883			Not on Price List		0.00
0243	048346					GASKET		4.33
0244	048447			S		INSULATION		17.82
0245	048344					SUPPORT; FOR LOWER JETS		115.19
0246	048484			S		BOILER; 2 ELEMENT		147.76
0247	048436			S		HOSE CLAMP 226-256		6.22
0248	048217			S		HOSE		9.09
0249	048296					GASKET		0.49
0250	048426		048929			NIPPLE		0.00
0251	068121			S		FILTER		25.86
0252	048178			S		SOLENOID VALVE; ES90 230V 50/60HZ		8.60



Pos.	Spare Part	Alias Code	Repl. by	S	Inf	Description	Notes	GBP B
0300	046226			S		RADIO INTERFERENCE FILTER		6.57
0301	046347			S		TERMINAL BOARD		9.23
0302	048497			S		AUXILIARY CONTACT		8.67
0303	048519		088477			CONTACTOR	a,b	0.00
0304	045794					TERMINAL BOARD		10.27
0305	048521					PCB; 50HZ	a,b	149.79
0306	048263					EL. COMPONENTS BOX		39.35
0307	048267			S		PRESSURE SWITCH; 1 LEV.		26.91
0308	048429			S		BRACKET		1.89
0309	048228		048924			HEATING ELEMENT		0.00
0310	048487			S		TANK THERMOSTAT; 60 C		10.69
0311	048438			S		RELAY	a,b	14.96
0312	048483			S		GASKET	a,b	0.84
0313	048284		048928			HEATING ELEMENT		0.00
0313	048513			S		BOILER HEATING ELEMENT; 6000W 230V	a,b	59.97
0314	046213		067620			HEATING ELEMENT GASKET		0.00
0315	065560			S		CAP COVER		1.12
0316	048287		048887			THERMOSTAT/KLIXON		0.00
0317	048266		049243			BOILER THERMOSTAT; 30-90 C		0.00
0318	067899			S		STUFFING BOX		2.59
0319	067898			S		O-RING		0.56
0320	048520					CHANGE OVER SWITCH	a	5.38
0321	048526			S		PLUG		0.91
0322	048719				D	SELECTOR; 12 CAMMES		12.86
0323	048525			S		THERMOMETER		28.31
0324	048488			S		PILOT LAMP; 250V		3.01
0325	046584			S		GASKET		0.70
0326	046289			S		PILOT LAMP		1.54
0327	047750			S		CAP		1.68
0328	048527			S		KNOB		7.41
0329	047846			S		SCREW		0.56
0330	046360			S		GASKET		0.56