

HOOD TYPE MACHINE

INSULATED DOUBLE WALLED CAPOTE
ELECTROMECHANICAL SWITCHES

TYPE: 373K

Accessories

CAPOTE "LIFT" LIFTING SYSTEM

BREAK TANK

BOOSTER PUMP

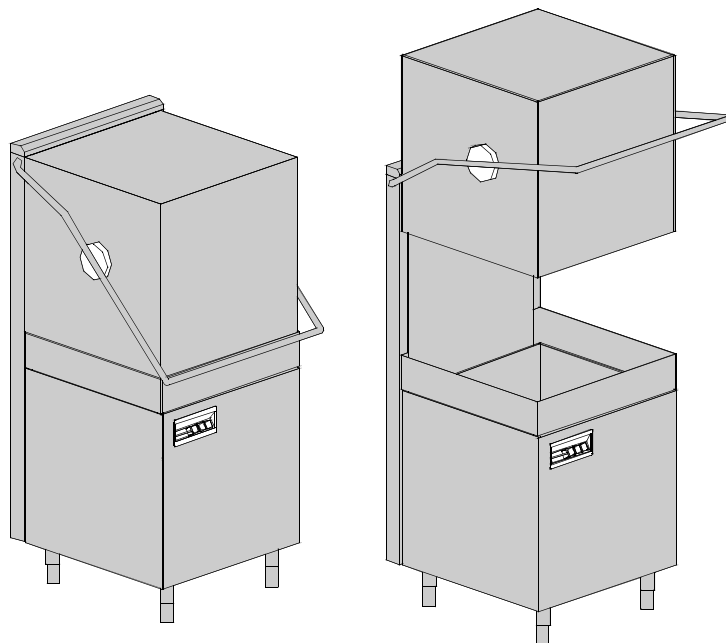
DVGW

WATER SOFTNER

DETERGENT DISPENSER

DRAIN PUMP

Spare parts manual



1. Spare parts

General body parts.....	7
Closing panelig.....	9
Hood LIFT lifting system	11
Control panel and switches.....	13
Electric control components.....	15
Solenoid valve group	17
Solenoid valve group	19
Break Tank	21
Rinse with steady temperature.....	23
Booster pump.....	25
DVGW	27
Water softner group.....	29
Rinse aid dispenser group.....	31
Boiler group	33
3 ways connection	35
Wash pump group.....	37

Dosing detergent group.....	39
Dosing detergent group.....	41
Drain pump group.....	43
Pressure switch group with air trap ...	45
Turret group with rotating arms	47

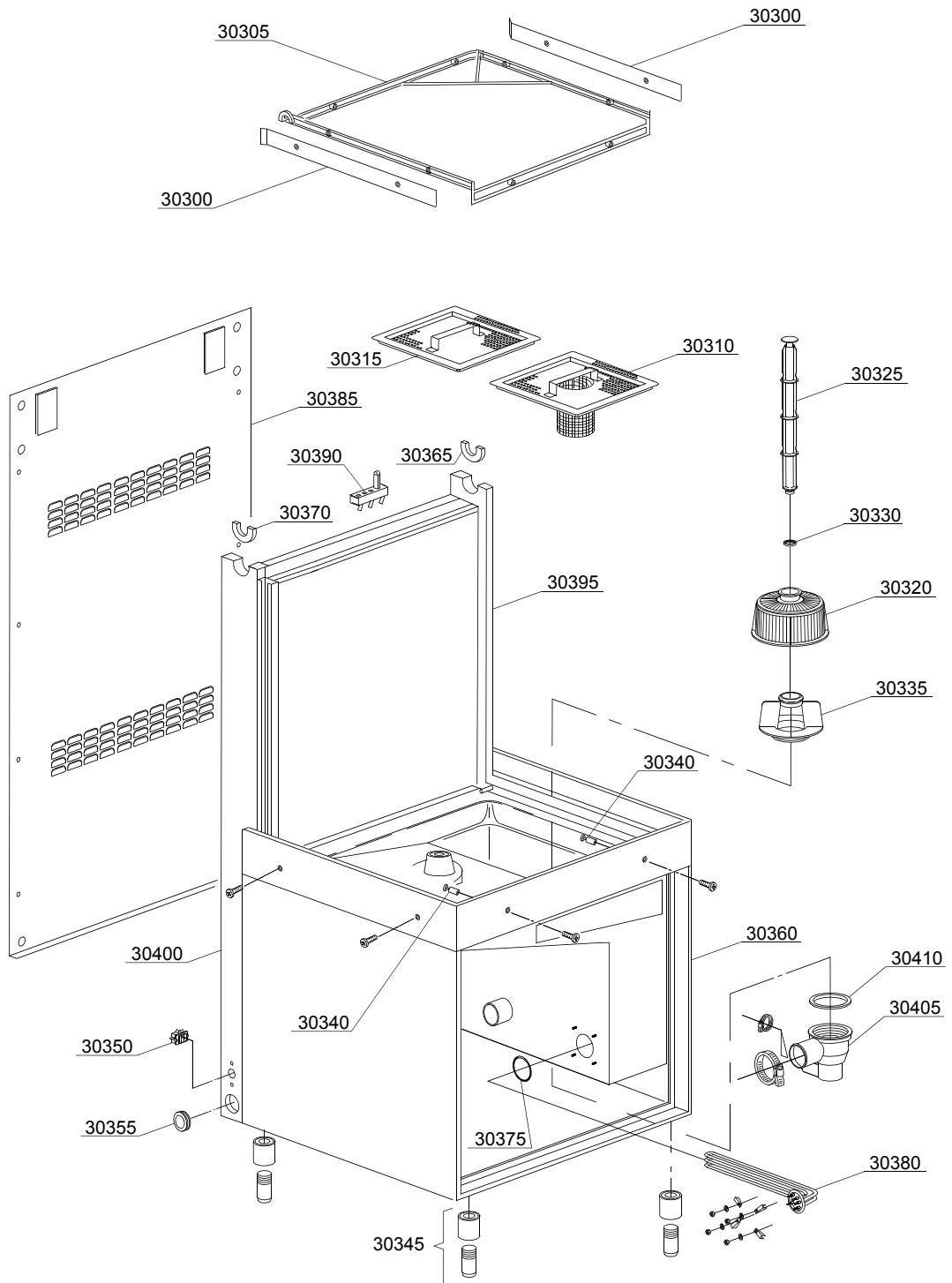
1.1 Voltage codes

Voltage code	Voltage
A	3/N/PE~400/230V 50Hz
B	~250V 16A 50Hz
C	3/N/PE~380/220V 50Hz
D	3/PE~200V 50-60Hz
F	2/PE 220-240V 50Hz
G	3/N/PE~415/240V 50Hz
H	3/PE~230V 50Hz
I	3/PE~220V 60Hz
J	3/PE~380 50Hz
K	3/PE~400V 50Hz
L	3/PE~415V 50Hz
M	3/PE~440V 60Hz
N	3/PE~460V 60Hz
O	3/PE~480V 60Hz
P	1/N/PE~220-240V 50Hz
R	2/PE~220-230V 60Hz
S	3/N/PE~400/230V 50Hz
T	3/PE~230V 60Hz

1.2 Product codes

Product code	Full name
Model codes	
is	INSULATED DOUBLE WALLED CAPOTE
em	ELECTROMECHANICAL SWITCHES
Type codes	
373K	373K
Accessory codes	
lift	CAPOTE "LIFT" LIFTING SYSTEM
bt	BREAK TANK
pap	BOOSTER PUMP
dvgw	DVGW
d	WATER SOFTNER
dde	DETERGENT DISPENCER
ps	DRAIN PUMP

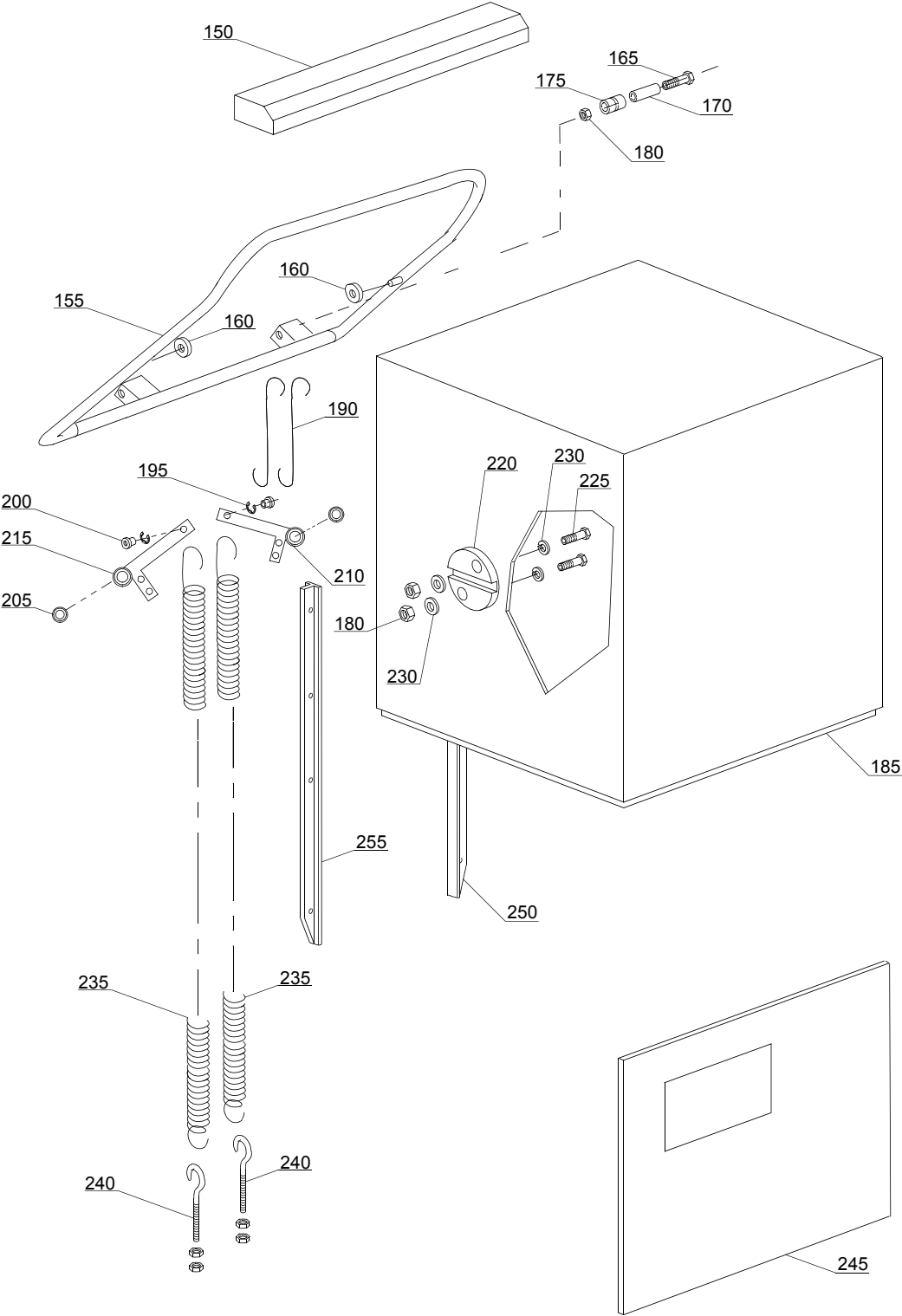
01_028_e



Spare parts

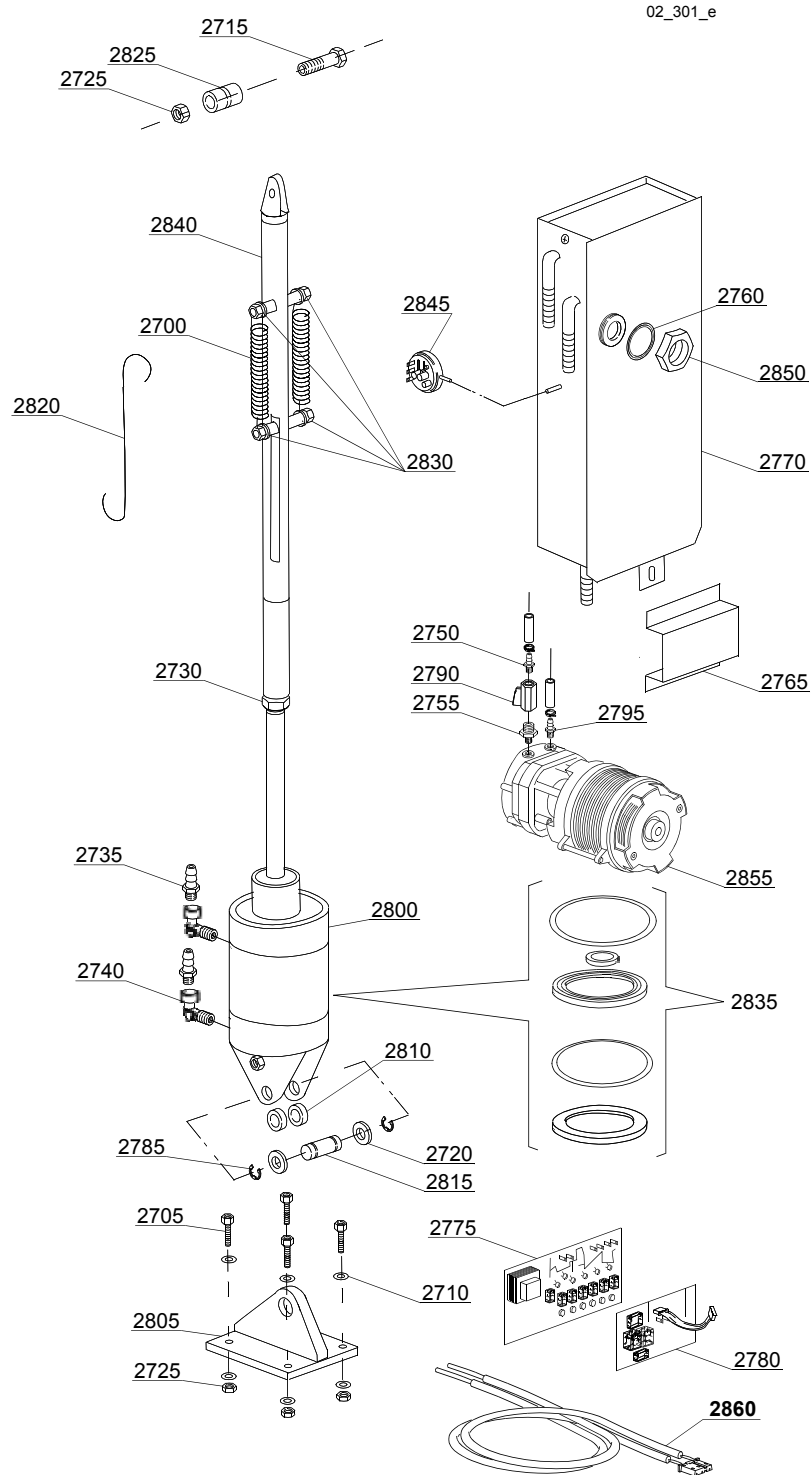
ID	P-code	Model	Type	Accessory	Voltage	Description
MODULE:General body parts						
30300	10600923		373K			Basket side
30305	11600001		373K			Basket support
30310	11600906		373K			Strainer with hole
30315	11600907		373K			Strainer
30320	500616		373K			Suction filter
30325	11600102		373K			Overflow pipe
30330	13021		373K			DEM 40 O-ring
30335	500615		373K			Ferrule with filter
30340	11600018		373K			Basket support holder pin
30345	15116		373K			Foot
30350	15065/A		373K			Cable-fastener with screw
30355	13324		373K			Ø46 mm lead through rubber
30360	11600960		373K			Frame assembly
30365	11600016		373K	lift		Right slide bearing
30365	11600055		373K			Right/left slide bearing
30370	11600017		373K	lift		Left slide bearing
30370	11600055		373K			Right/left slide bearing
30375	13015		373K			6225 OR 160 NBR O-ring
30380	15047/A		373K			2,7/2,94KW 230/240V 3 heating element
30385	11600630		373K			Back panel
30390	70305		373K			Hood switch
30395	11600620		373K			Right guide rail support
30400	11600621		373K			Left guide rail support
30405	500605		373K			Outlet connection
30410	80208		373K			95x75x3 O-ring

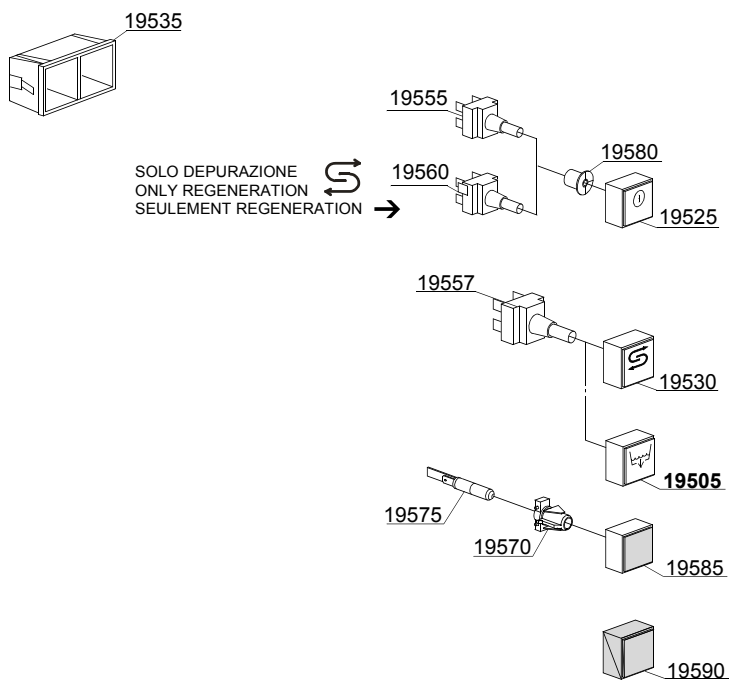
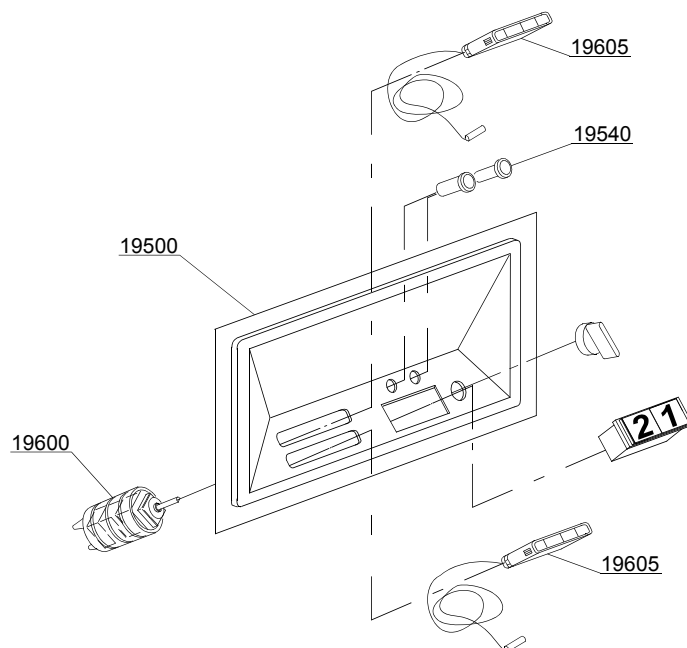
02_202_e



Spare parts

ID	P-code	Model	Type	Accessory	Voltage	Description
MODULE:Closing panelig						
150	11600913		373K			Cover
155	11600910		373K			Handle
160	89919		373K			Hood roller
165	11214		373K			Screw
170	11600015		373K			Roller spacer
175	11600014		373K			Roller tie rod
180	11718		373K			M8 stainless steel self-locking nut
185	11600902		373K			Hood
190	11600013		373K			Movement mediating bar
195	11823		373K			Ø10 stainless steel snap ring
200	11600038		373K			Spring bush
205	10800010		373K			Lever bearing
210	11600026		373K			Right lever
215	11600027		373K			Left lever
220	11600036		373K			Hood movement cam
225	11110		373K			M8x35 TE stainless steel screw
230	13301		373K			O-ring
235	70302		373K			Hood spring
240	10800210		373K			Spring hook
245	11600954		373K			Lower door panel
250	11600028		373K			Hood right sliding guide
255	11600029		373K			Hood left sliding guide

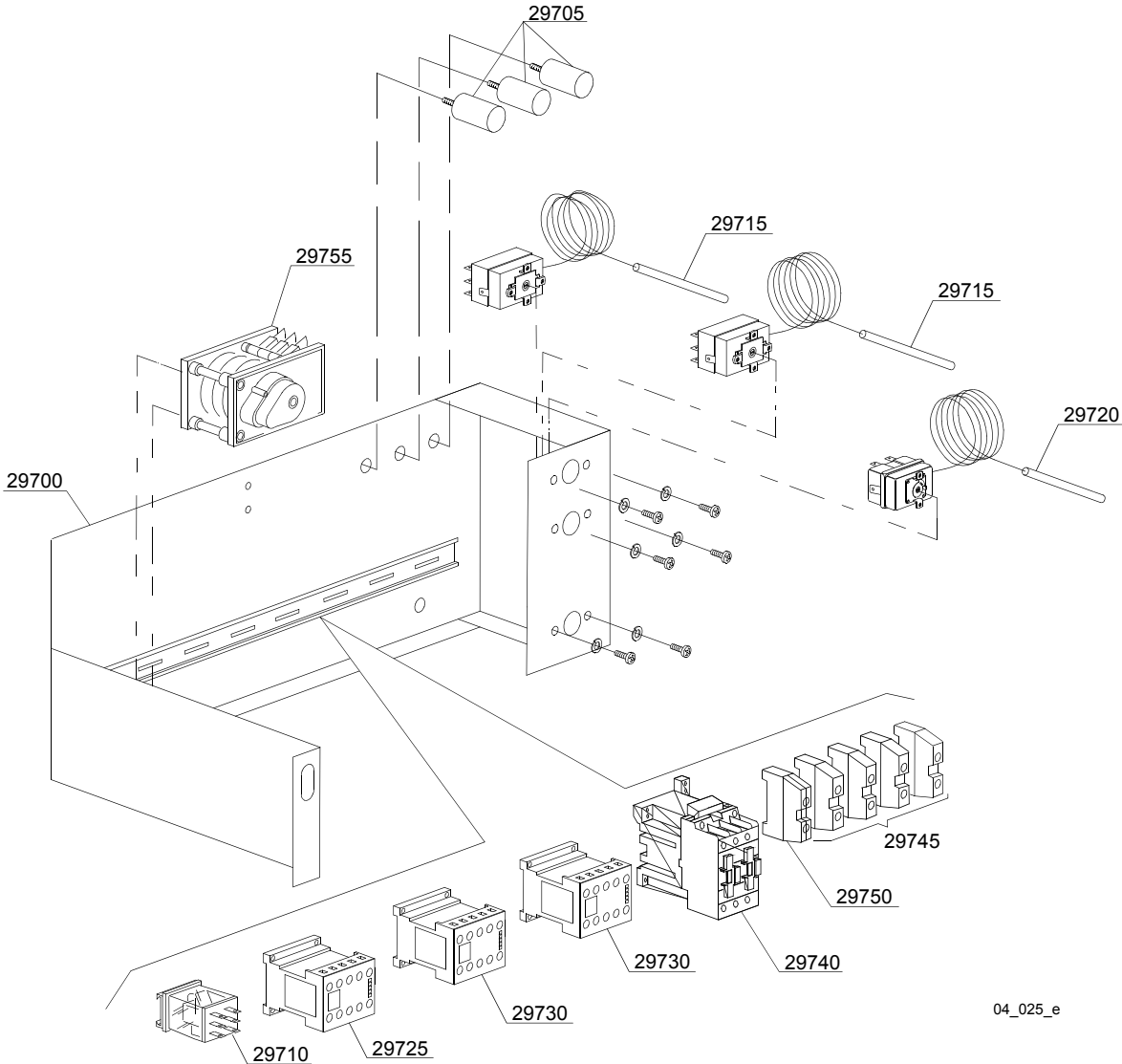
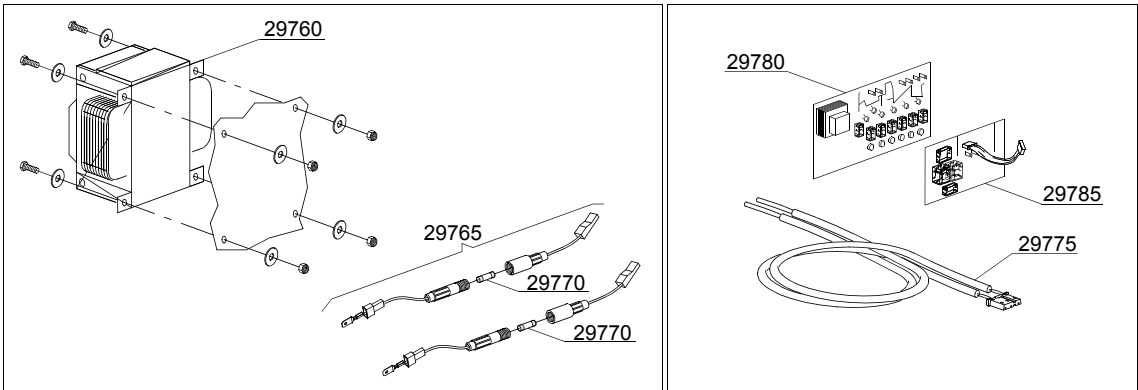




03_023_e

Spare parts

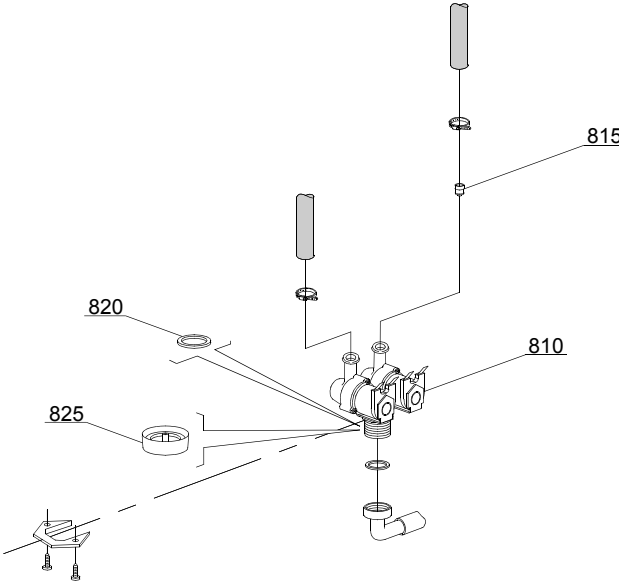
ID	P-code	Model	Type	Accessory	Voltage	Description
MODULE:Control panel and switches						
19500	75081		373K			Control panel
19505	15854		373K	dp		Green drain pump push button
19520	15847		373K			Green push button
19525	15874		373K			Green ON-OFF push button
19535	15829		373K			Square grey support
19540	10711/B		373K			Pilot light
19545	15844		373K			Push button support
19550	15813		373K			16A unipolar switch
19555	15812		373K			16A switch
19555	15800		373K			16A bipolar switch
19560	15811		373K			16A bipolar switch
19560	15811/A		373K			16A bipolar switch
19575	15826/A		373K	lift		Transparent lamp
19580	15824		373K			Green-orange cam roll
19590	15880		373K			Grey push button
19600	10300207		373K			Selector switch
19605	10500011		373K			Thermometer



04_025_e

Spare parts

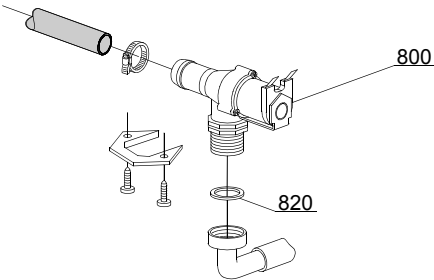
ID	P-code	Model	Type	Accessory	Voltage	Description
MODULE:Electric control components						
29700	11600955		373K			Electric component panel
29705	15149		373K			Low noise filter
29710	560301		373K	lift		Relay
29715	10707/1		373K			0-90°C thermostat
29720	2000430		373K			Safety thermostat
29725	10300391		373K			3NA/1NC contactor - 230V 50/60HZ
29725	10300392		373K			3NA/1NC contactor - 240Vac 50Hz
29730	15086		373K			Contactor 230V 50/60Hz 4C
29730	15086/B		373K			Contactor 240V 50Hz
29740	10300050		373K			25A/12A contactor - 230V 50/60HZ
29740	10300052		373K			36A/20A contactor - 230V 50/60HZ
29740	10300054		373K			25A/16A contactor - 230V 50/60HZ
29745	10300401		373K			6/8mm ² yellow/green terminal
29750	10300403		373K			6mm ² terminal
29755	10300122		373K			50/100/150" timer
29760	15381		373K			160Va transformer
29765	15147		373K			Fuse-holder
29770	15163		373K			Fuse
29775	50562		373K	ws		Temperature probe set
29780	50569		373K			Electronic card without chip
29780	50557		373K	ws		60/100/180 Eco-2 electronic print card
29785	50559		373K	dp,ws		Relay card



05_003_e

Spare parts

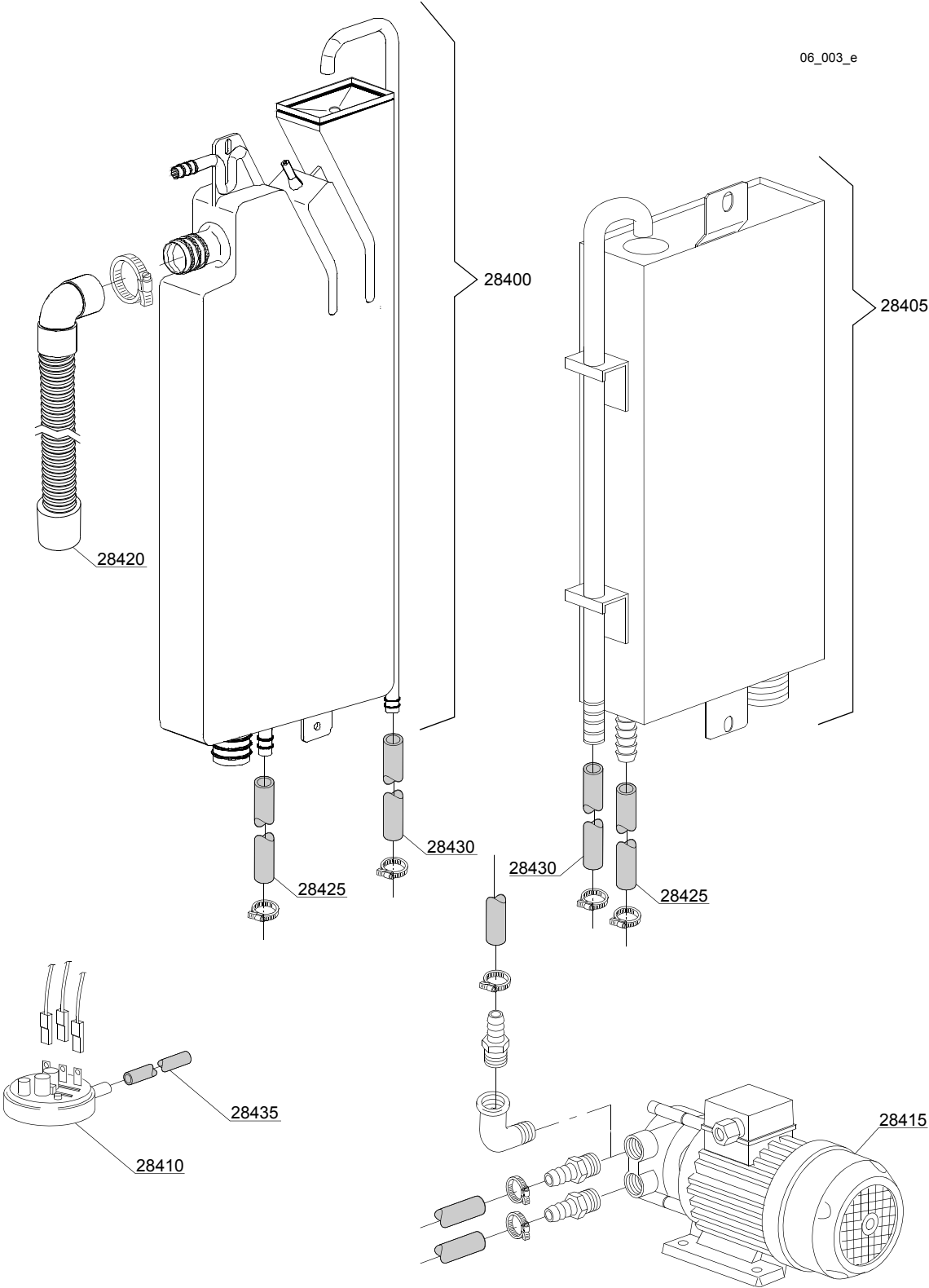
ID	P-code	Model	Type	Accessory	Voltage	Description
MODULE: Solenoid valve group						
810	15098		373K	cr,ws		Double solenoid valve - Ø10
810	30001001		373K	lift		Double solenoid valve - Ø12
820	N.C.		373K	cr,ws		Pression reducing valve



05_005_e

Spare parts

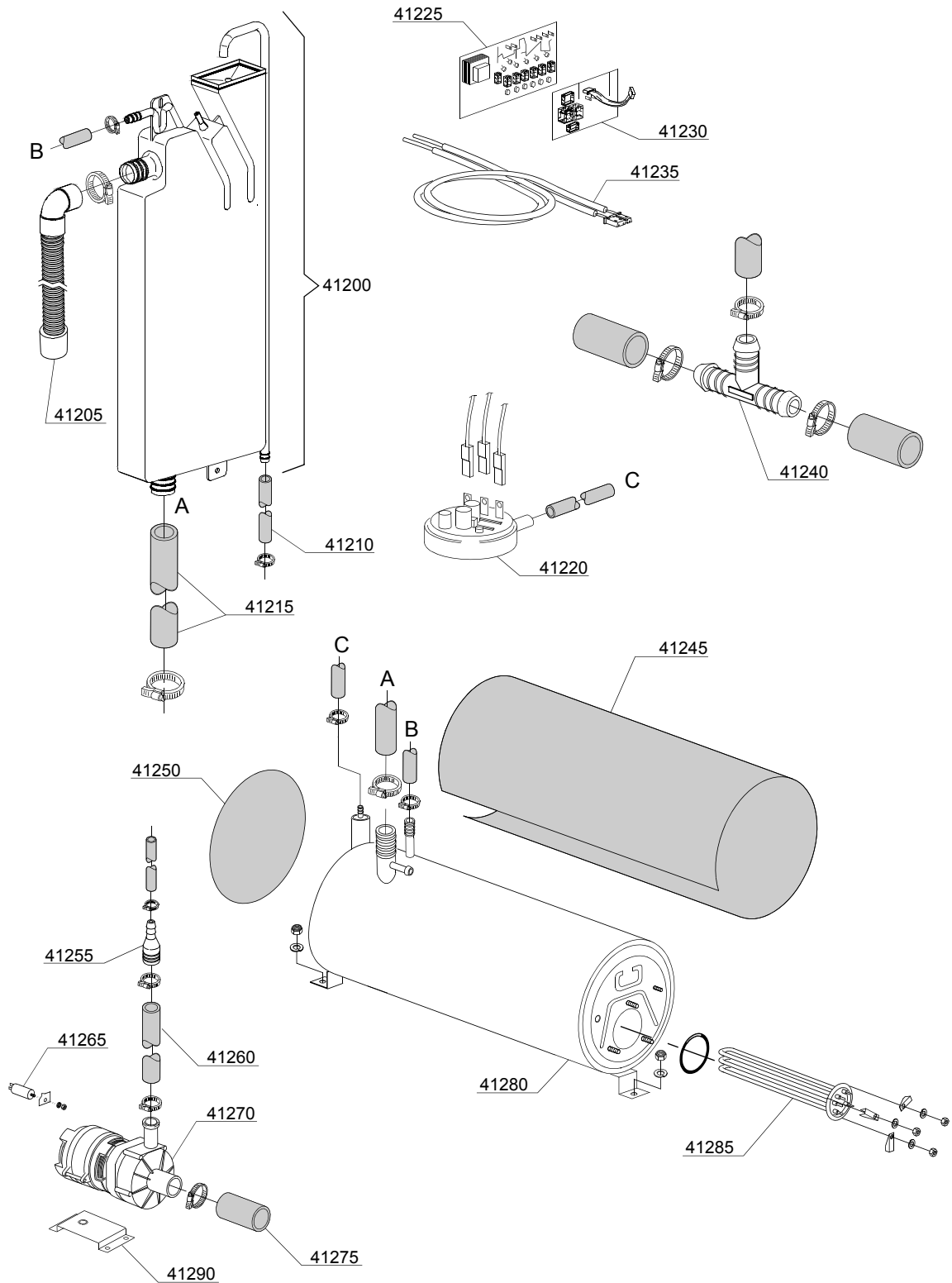
ID	P-code	Model	Type	Accessory	Voltage	Description
MODULE: Solenoid valve group						
800	30001000		373K			Single solenoid valve
820	N.C.		373K			Pression reducing valve



Spare parts

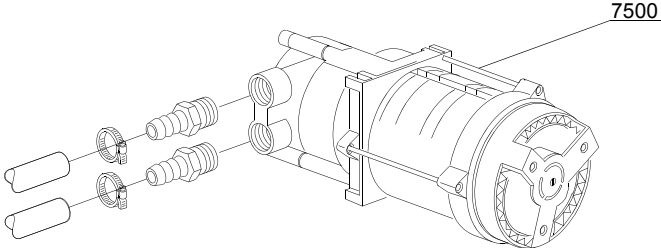
ID	P-code	Model	Type	Accessory	Voltage	Description
MODULE:Break Tank						
28400	15720		373K	bt		Break tank assembly
28405	15735		373K	bt		Break tank assembly
28410	10706/A		373K	bt		47-27 pressure switch
28415	15100		373K	bt		Booster pump 0,5HP 220/240V
28420	15721		373K	bt		BT long pipe L=1070
28420	15722		373K	bt		BT middle pipe L=920
28420	15723		373K	bt		BT small pipe L=920
28425	2907350		373K	bt		12x20 EPDM rubber hose
28430	2907352		373K	bt		PVC WRAS rubber hose
28435	14508		373K	bt		4,5x9 EPDM rubber hose

06_005_e



Spare parts

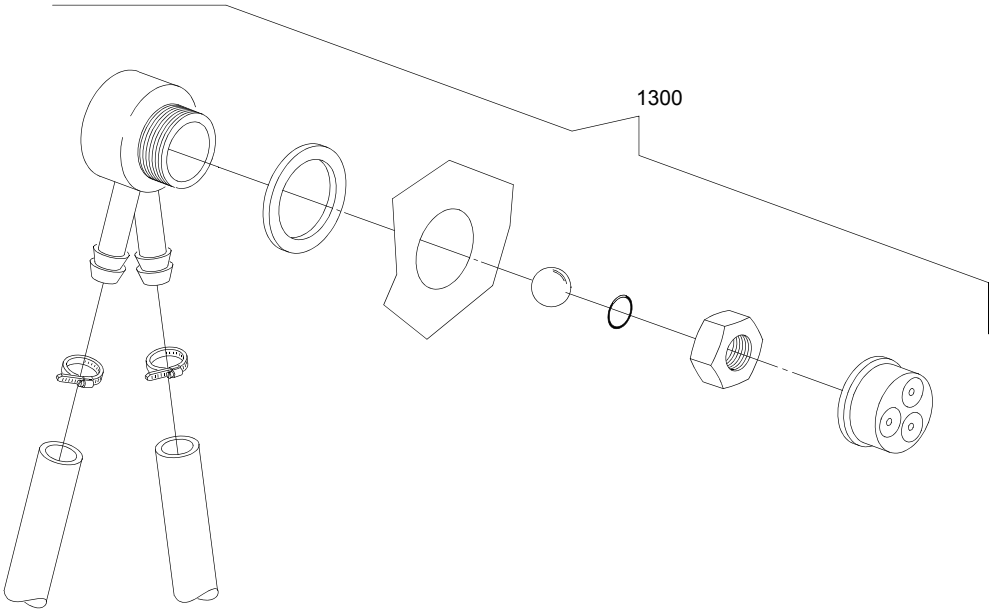
ID	P-code	Model	Type	Accessory	Voltage	Description
MODULE:Rinse with steady temperature						
41200	15720		373K			Break tank assembly
41205	15721		373K			BT middle pipe L=920
41210	2907352		373K			PVC WRAS rubber hose
41215	x		373K			Pipe coupling
41220	10706/A		373K			34-100 pressure switch
41225	50569		373K			Electronic Card without Chip
41230	50559		373K			Relay card
41235	50562		373K			Temperature probe set
41240	540098		373K			3 ways D25
41245	30002030		373K			Insulation boiler
41250	75205		373K			Ø160 end piece
41255	3003063		373K			Reducer
41260	10718		373K			Pump pipe coupling
41265	10702		373K			5 uF condenser
41270	10508		373K			Rinsing pump
41275	10718		373K			Pump pipe coupling
41280	11600104		373K			Boiler
41285	30001011		373K			9 kW heating element
41290	440122		373K			Pump support



07_003_e

Spare parts

ID	P-code	Model	Type	Accessory	Voltage	Description
MODULE:Booster pump						
7500	15100/D		373K	bp		Booster pump 220-240/50

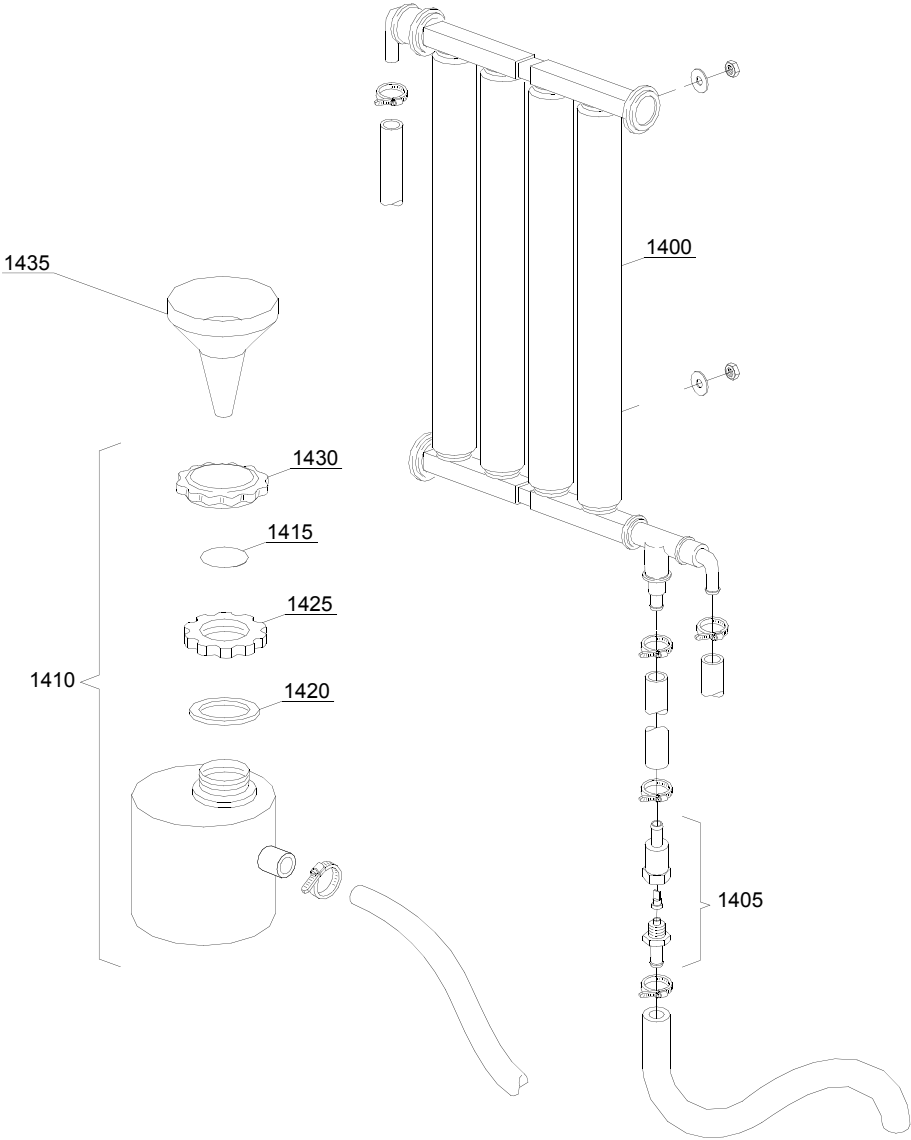


08_005_e

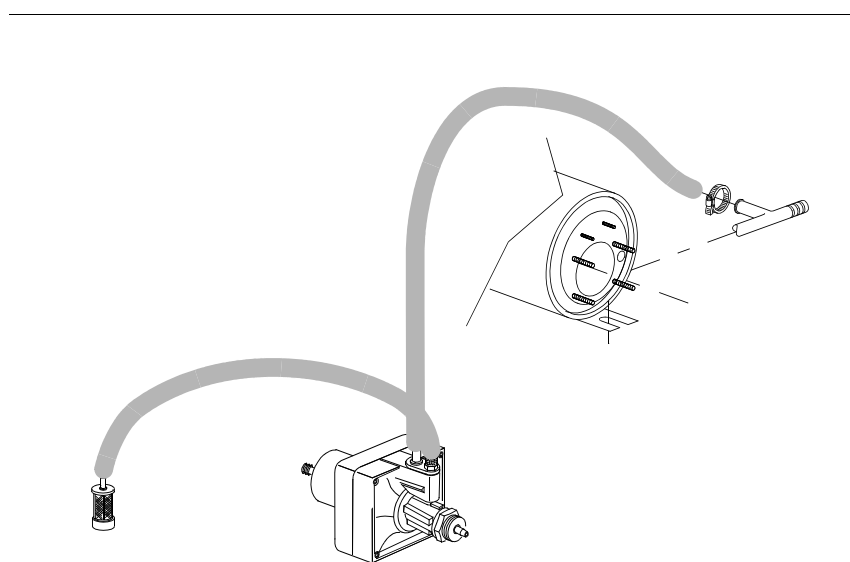
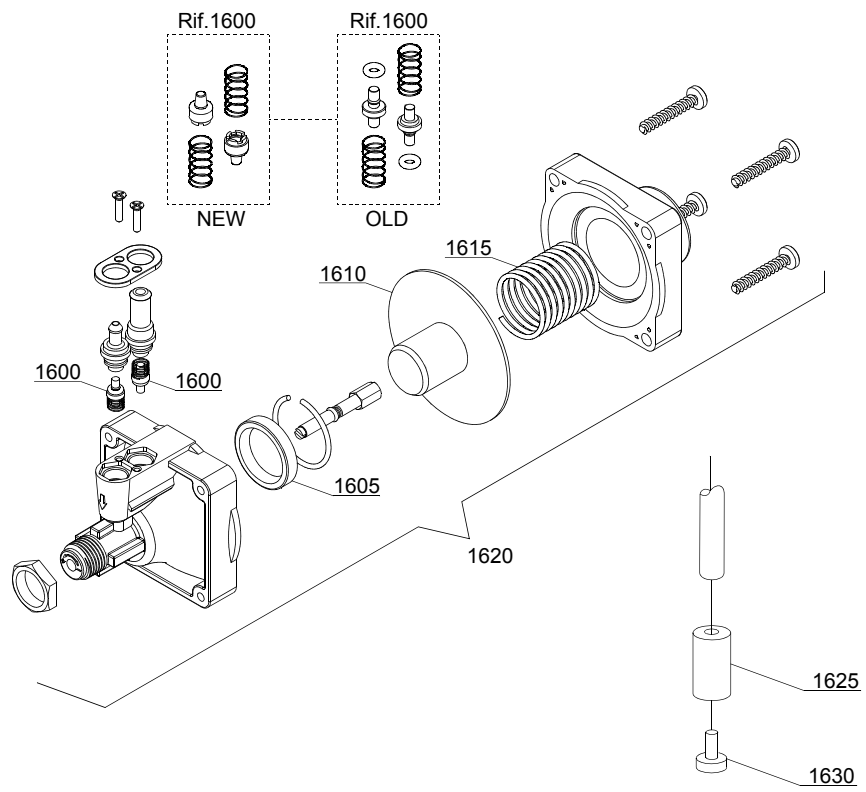
Spare parts

ID	P-code	Model	Type	Accessory	Voltage	Description
MODULE:DVGW						
1300	999900006		373K	dvgw		DVGW assembly

09_001_e



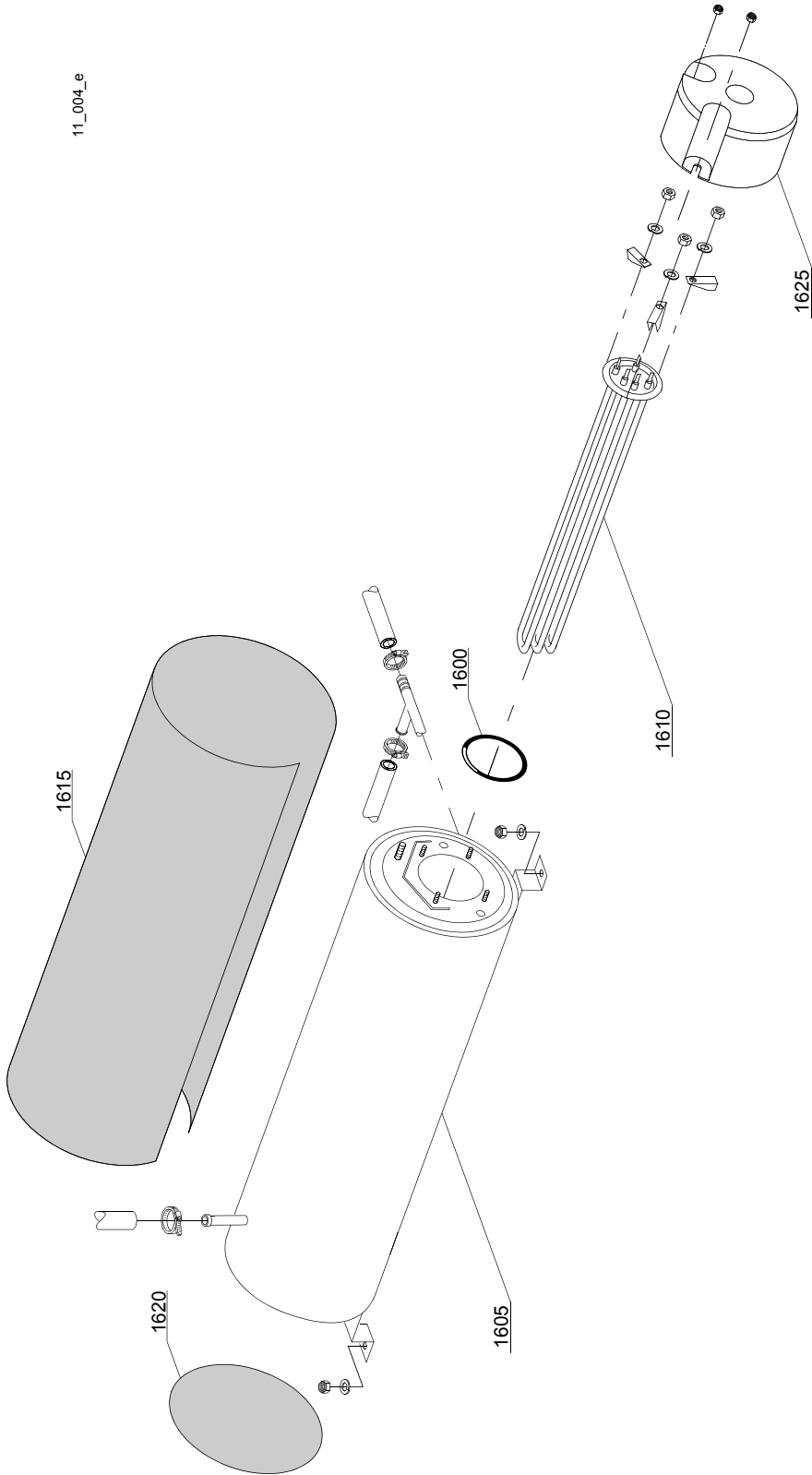
ID	P-code	Model	Type	Accessory	Voltage	Description
MODULE:Water softner group						
1400	16066		373K	ws		4 elements water softner
1405	16070		373K	ws		Nonreturn valve
1410	16065		373K	ws		Salt container
1415	16067/A		373K	ws		OR O-ring
1420	16067/B		373K	ws		O-ring
1425	16067/C		373K	ws		Ring nut
1430	16067/D		373K	ws		Plug
1435	16082		373K	ws		Funnel



10_003_e

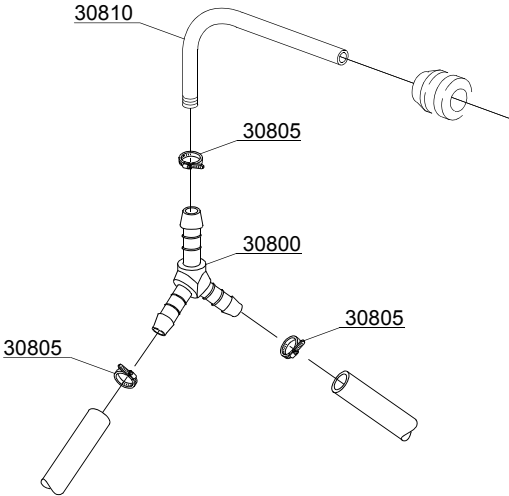
Spare parts

ID	P-code	Model	Type	Accessory	Voltage	Description
MODULE: Rinse aid dispenser group						
1600	10805		373K			Tecnopro non return valve
1605	10806		373K			Ø22 O-ring
1610	10807		373K			Membrane
1615	10808		373K			Spring
1620	10599999		373K			Rinse aid dispenser
1625	12525		373K			Counter-weight
1630	15058		373K			Small filter



Spare parts

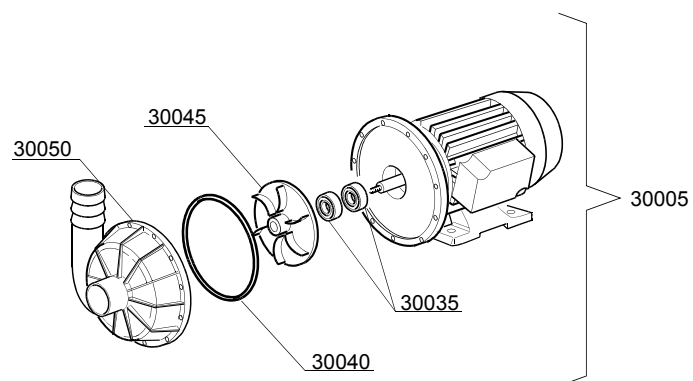
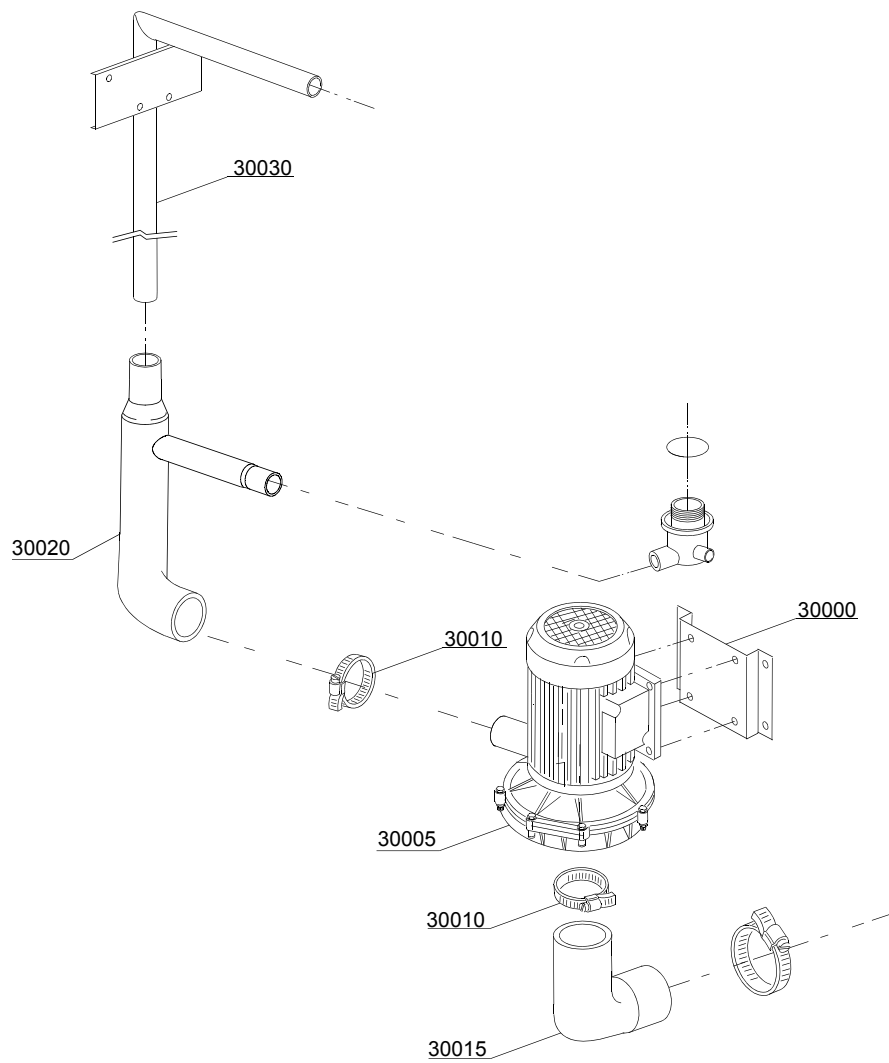
ID	P-code	Model	Type	Accessory	Voltage	Description
MODULE:Boiler group						
1600	13015		373K			6225 OR 160 NBR O-ring
1605	22002		373K			Boiler
1610	30001010		373K			6/6,53KW 230/240/3 heating element
1610	30001011		373K			9/9,8KW 230/240/3 heating element
1610	30001011/A		373K			12/13,07KW 230/240V 3 heating element
1615	30002030		373K			Insulation boiler
1620	75205		373K			Ø160 end piece
1625	75311		373K			Heating element cover



12_003_e

Spare parts

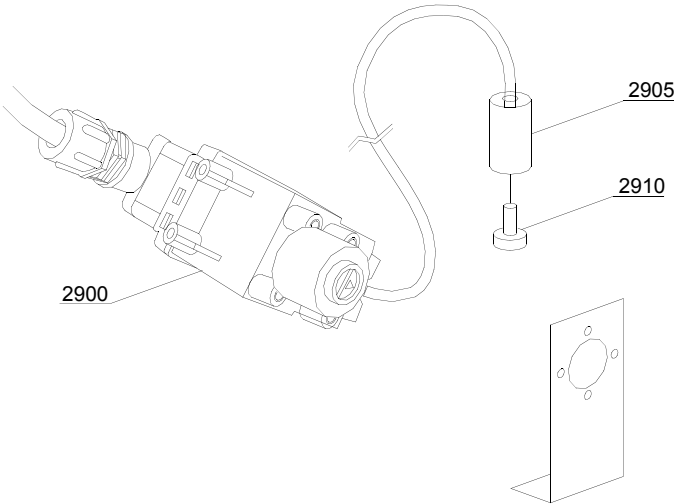
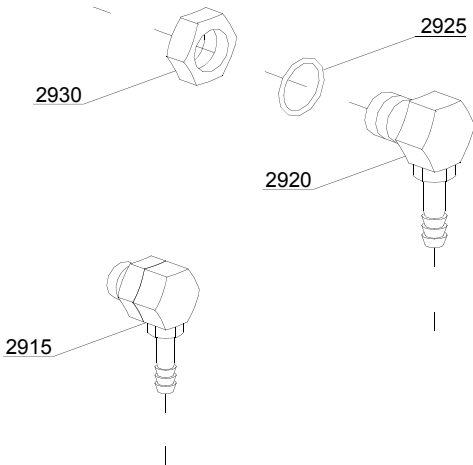
ID	P-code	Model	Type	Accessory	Voltage	Description
MODULE:3 ways connection						
30800	540091		373K			Ø12 mm plastic 3 ways connection
30805	11807		373K			12/22 clamp
30810	15168		373K			Rinse pipe



Spare parts

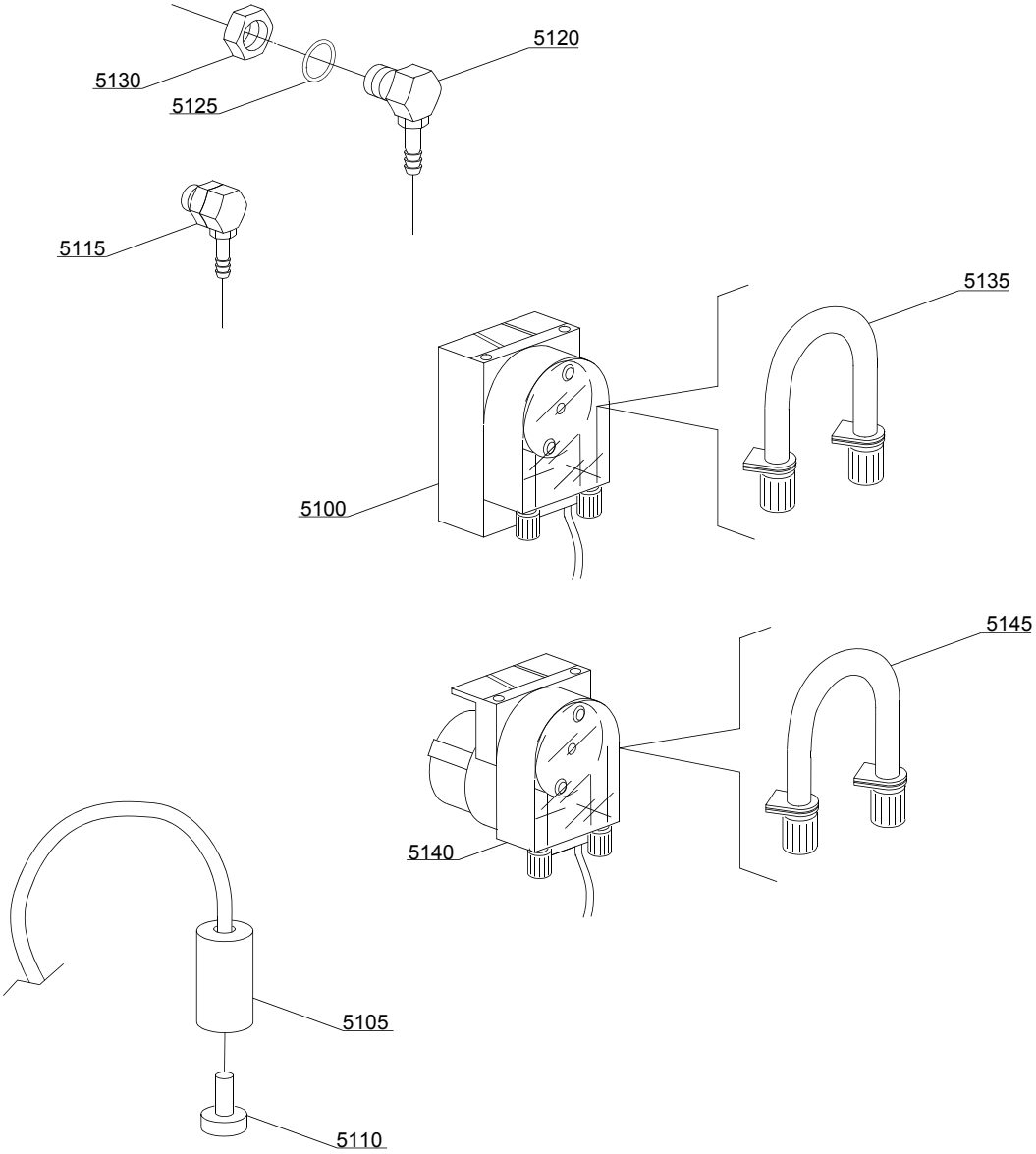
ID	P-code	Model	Type	Accessory	Voltage	Description
MODULE:Wash pump group						
30000	11600623		373K			Pump support hanger
30005	22037		373K			2Hp pump
30010	11824		373K			50/70 clamp
30015	11600100		373K			Suction pipe coupling
30020	11600101		373K			Pressure rubber hose
30025	11809		373K			30/45 clamp
30030	11600103		373K			Wash ramp
30035	15080		373K			Rotating seals
30040	10200290		373K			OR 1225 O-ring
30050	10200222		373K			Scroll

14_002_e



Spare parts

ID	P-code	Model	Type	Accessory	Voltage	Description
MODULE:Dosing detergent group						
2900	15108/L		373K	dd		Lang detergent pump
2905	12525		373K	dd		Counter-weight
2910	15058		373K	dd		Small filter
2915	15123		373K	dd		Compleat plastic injector
2920	15148		373K	dd		Steel injector
2925	15159		373K	dd		OR O-ring
2930	10200205		373K	dd		M12x1 stainless steel nut

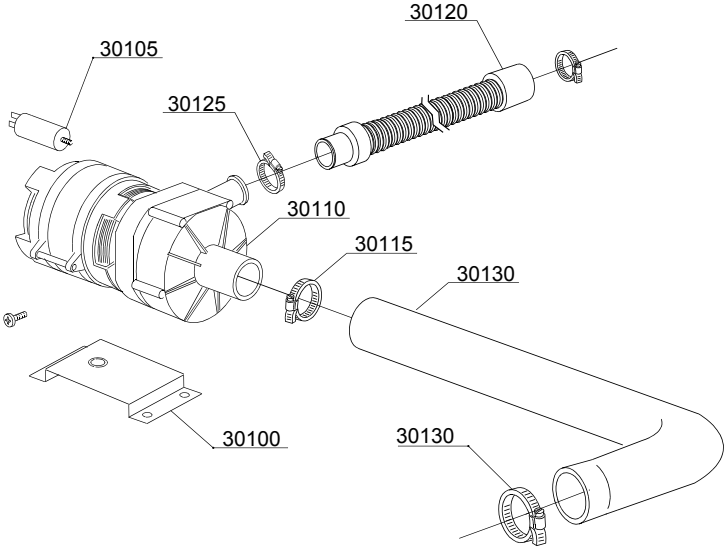


14_004_e

Spare parts

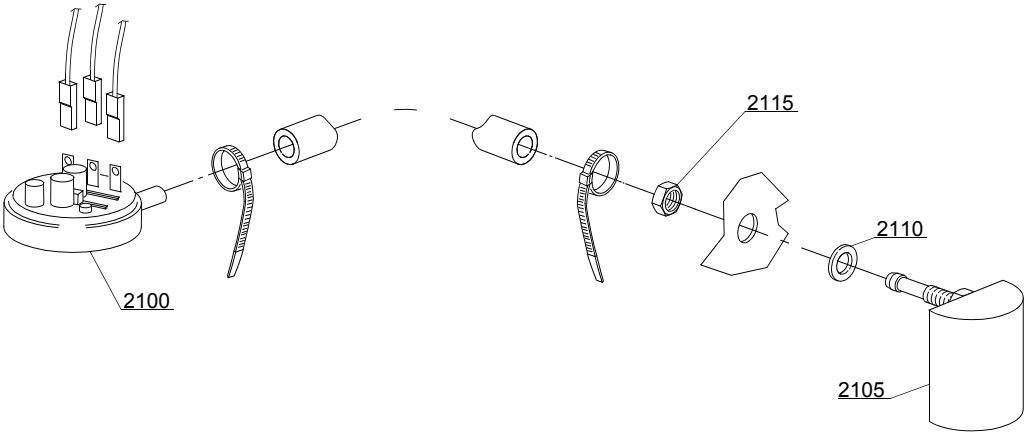
ID	P-code	Model	Type	Accessory	Voltage	Description
MODULE:Dosing detergent group						
5100	15985		373K	dd		Seko detergent pump
5105	12525		373K	dd		Counter-weight
5110	15058		373K	dd		Small filter
5115	15123		373K	dd		Compleat plastic injector
5120	15148		373K	dd		Steel injector
5125	15159		373K	dd		OR O-ring
5130	10200205		373K	dd		M12x1 stainless steel nut
5135	15185		373K	dd		Seko thermoplastic pipe
5140	15985		373K	dd		Germac detergent pump
5145	15108/E		373K	dd		Germac thermoplastic pipe

15_005_e



Spare parts

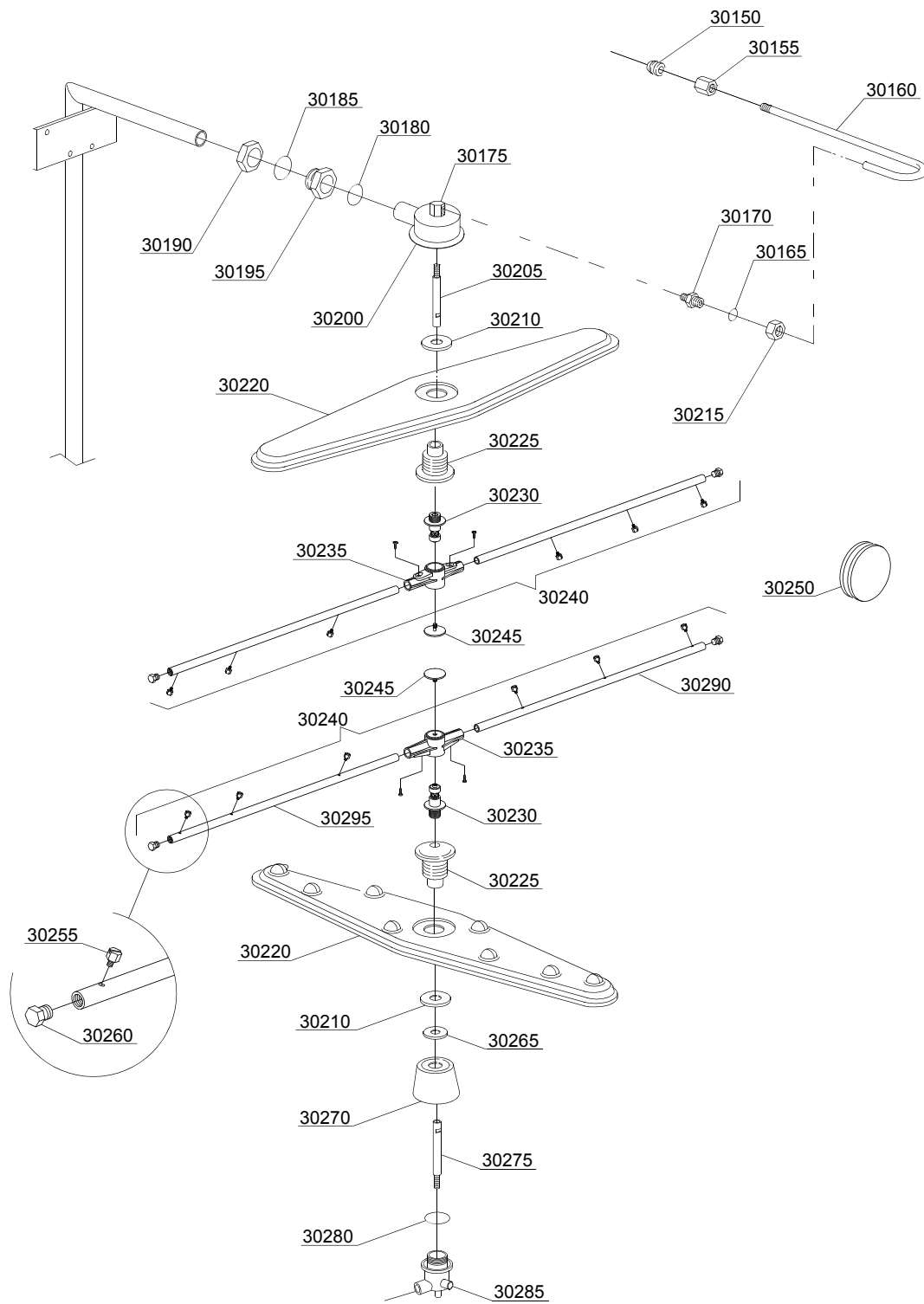
ID	P-code	Model	Type	Accessory	Voltage	Description
MODULE: Drain pump group						
30100	440122		373K	dp		Pump support
30105	10702		373K	dp		5 uF condenser
30110	10501/A		373K	dp		190W 230V drain pump
30115	11806		373K	dp		25/40 clamp
30120	10727		373K	dp		Drain pipe
30125	11809		373K	dp		30/45 clamp
30130	18788		373K	dp		Drain rubber elbow



16_001_e

Spare parts

ID	P-code	Model	Type	Accessory	Voltage	Description
MODULE:Pressure switch group with air trap						
2100	88110		373K			250-40 pressure switch
2105	135911		373K			Air trap assembly
2110	13301		373K			O-ring
2115	11702		373K			M8 stainless steel nut



17_125_e

Spare parts

ID	P-code	Model	Type	Accessory	Voltage	Description
MODULE:Turret group with rotating arms						
30150	13304		373K			Pipe-pass O-ring
30155	12526		373K			Stainless steel nut coupling
30160	75066		373K			Top rinse pipe
30165	13003		373K			OR 112 NBR O-ring
30170	12006		373K			Ø10 rinse pipe fitting
30175	75319		373K			Rinse elbow
30180	13004		373K			OR 3137 NBR O-ring
30185	13008		373K			OR 147 NBR O-ring
30190	15042/A		373K			Nut
30195	15042		373K			1"1/4 ring nut
30200	78001		373K			Stainless steel turret for rotor
30205	75322		373K			Top rinse axle
30210	75317		373K			Nut for wash arm bearing
30215	12006/A		373K			Ø10 pipe fitting 3/8x3,5 nut 19 hexagonal
30220	10600900		373K			Wash arm
30225	75320		373K			Wash arm bearing
30230	10651		373K			Rinse axle
30235	10650		373K			Rinse arm
30240	75918		373K			Top/lower rinse arm complete
30245	10652		373K			Rinse arm screw
30250	13316/A		373K			DVGW hole O-ring
30255	560018		373K			Stainless steel rinse nozzle
30260	560017		373K			Rinse arm plug
30265	11600033		373K			Flow reduction ring
30270	11600035		373K			Lower wash arm support
30275	11600021		373K			Lower rinse axle
30280	13015		373K			6225 OR 160 NBR O-ring
30285	500621		373K			Lower coupling
30290	10657		373K			Right rinse arm - stainless steel nozzle
30295	10658		373K			Left rinse arm - stainless steel nozzle