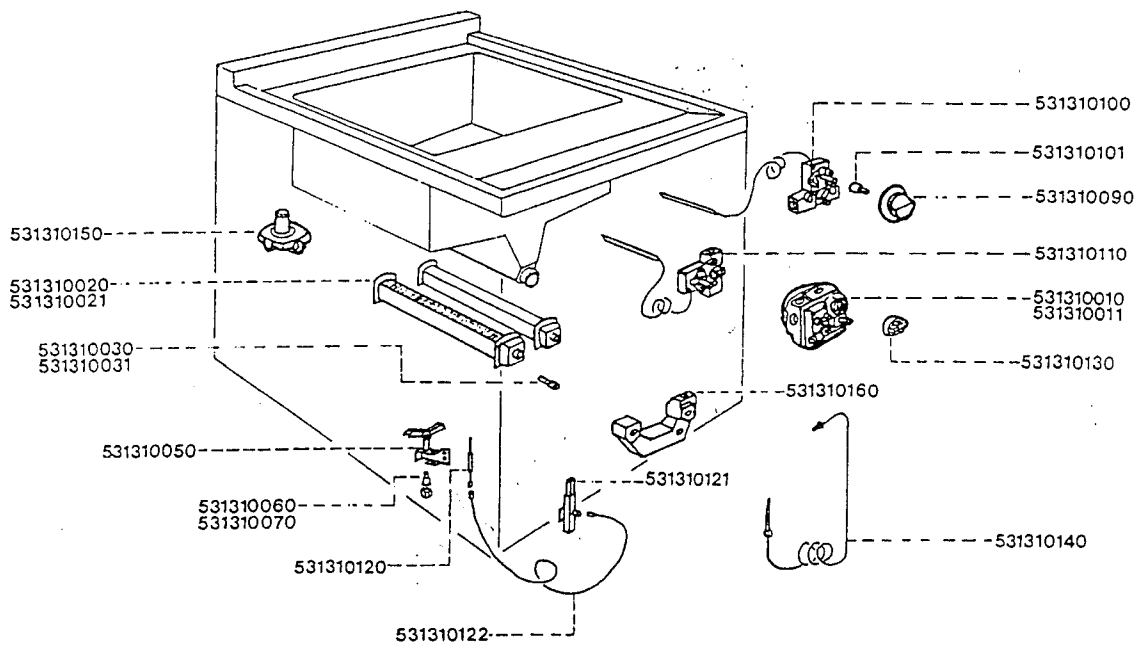


Code No.	Description
1D 531312000	Basket Hanging Rail
10E 531312010	Basket
4E 531312020	Strainer
• 531313000	Pan c/w Insulation
10H 531313012	Door Complete (not illustrated)
6C 531313020	Door Handle
9B 531313030	Door Catch
4E 531313040	Drain Valve
5B 531313050	Cover Handle
12E 531313062	Cover c/w Handle
10G 531313072	Door Panel
9B 531313080	Adjustable Leg

Code No.	Description
12H 531313090	Flue Uptake
7E 531313100	Fish Tray
12E 531313110	Fish Tray Mesh Insert
1E 531313130	False Bottom
4G 531313210	Side Screen—RH
4G 531313211	Side Screen—LH
• 531313300	Control Panel
5G 531303090	Outer Side Panel—LH
5G 531303091	Outer Side Panel—RH
12C 531304050	End Cheek—LH
12C 531304051	End Cheek—RH



Code No.	Description
1J 531310010	Gas Control Box—Nat. Gas
1J 531310011	Gas Control Box—L.P. Gas
1F 531310020	Burner Assembly—L.H.
1F 531310021	Burner Assembly—R.H.
1B 531310030	Burner Injector—Nat. Gas
1B 531310040	Burner Injector—L.P. Gas
7C 531310050	Pilot Burner
1B 531310060	Pilot Burner Jet—Nat. Gas
1B 531310070	Pilot Burner Jet—L.P. Gas
8H 531310080	Operating Thermostat c/w Knob (not illustrated)
4C 531310090	Operating Thermostat Knob
6H 531310100	Operating Thermostat
1B 531310101	Thermostat Spindle Adaptor
6H 531310110	Safety Thermostat
8B 531310120	Electrode
9D 531310121	Spark Ignitor
3B 531310122	Ignitor Lead
6B 531310130	Gas Control Box Knob
12C 531310140	Thermocouple
3D 531310150	Governor
12D 531310160	Manifold