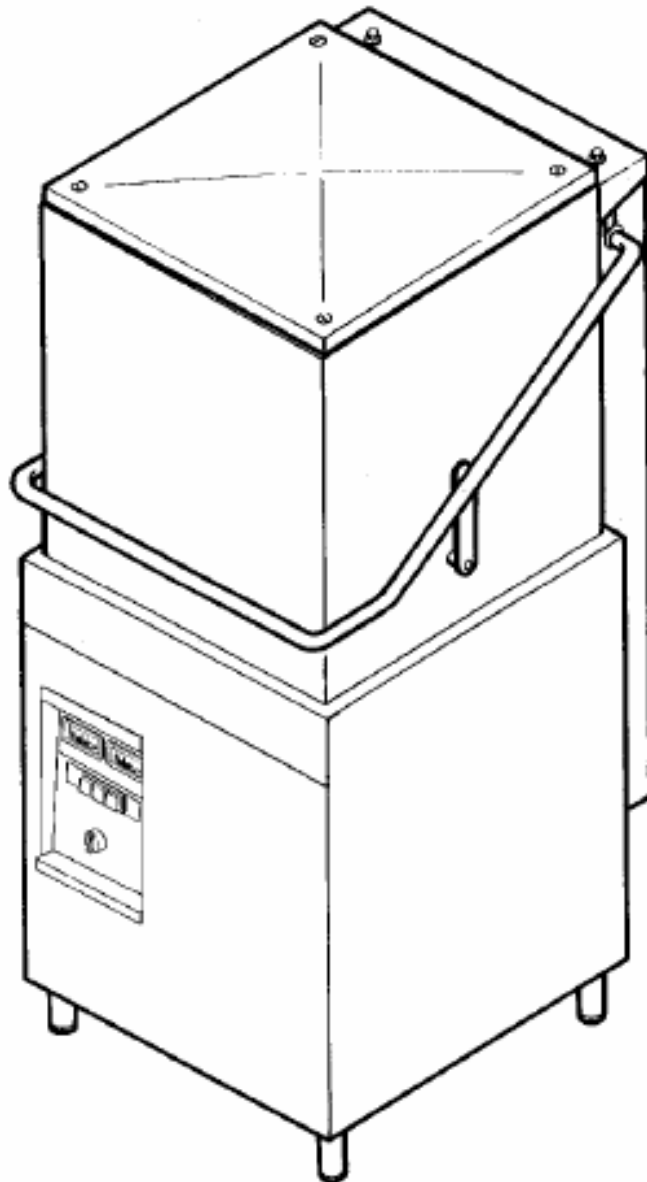


# SPARES DIAGRAMS AND STOCK CODES V-RANGE

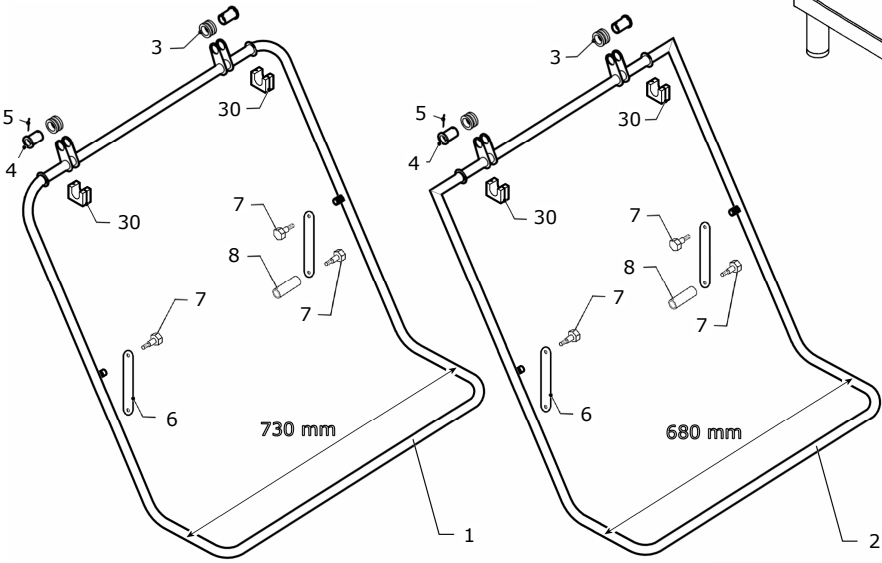
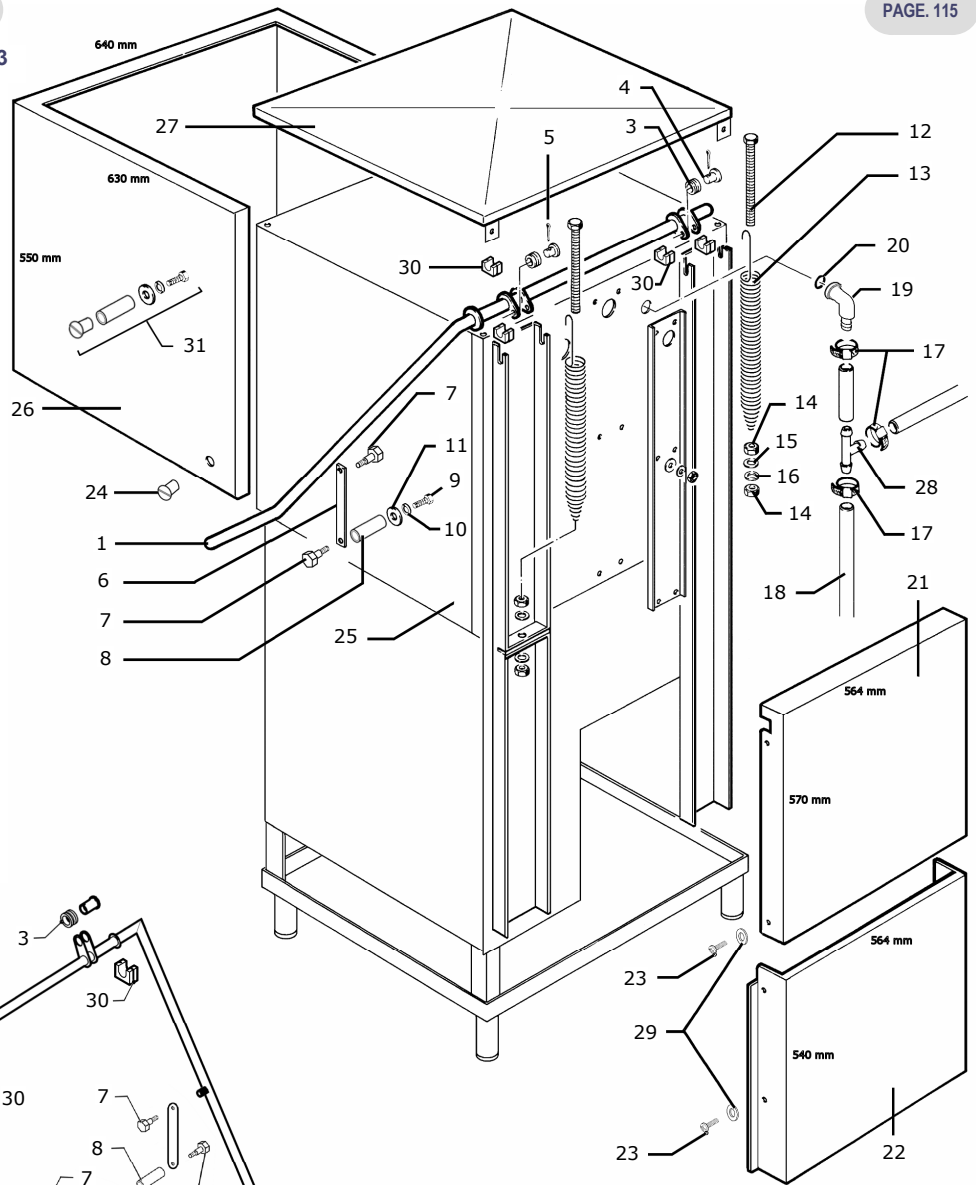
DC SERIES FROM 1996-2003



**DC1300**  
**DC1300-A**  
**DC1300-WP**  
**DC1300-A,WP**

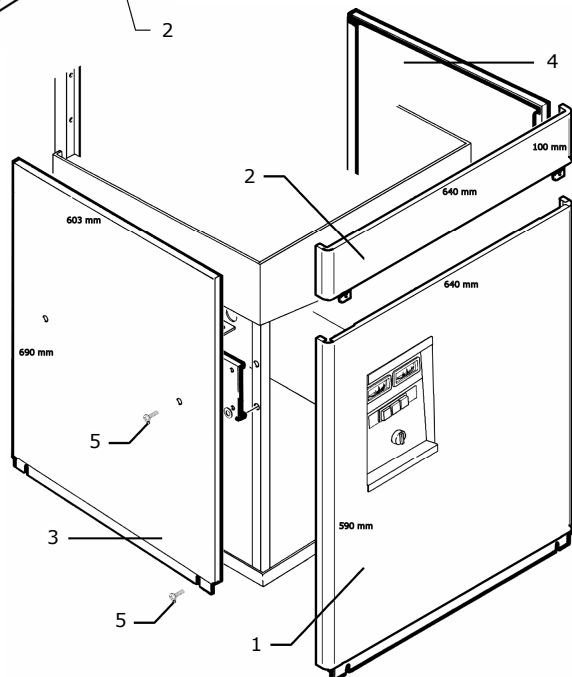
POS CODE DESCRIPTION 1996 ~ 2003

- 1 903902 HANDLE HOOD-W=730mm
- 2 903900 HANDLE-HOOD-W=680 mm
- 3 906066 BEARING-COLLOR-REAR HANDLE
- 4 904796 PIN-BEARING-HANDLE
- 5 907653 SPLIT PIN-FOR BEARING
- 6 904930 PLATE-HANDLE HOOD
- 7 904771 JOINT PIN-BOLT-HANDLE HOOD
- 8 900514 BEARING-SIDE HANDLE
- 9 907820 BOLT FIXING-M8x12
- 10 905940 WASHER/SPRING M8
- 11 906050 WASHER-M8x24x2
- 12 907222 CONECTING ROD-BOLT-175mm
- 13 904133 SPRING-HOOD 380mm
- 14 902022 NUT-M10
- 15 906055 WASHER M10
- 16 905941 WASHER/SPRING M10
- 17 902440 CLIP 13-20 SIZE 20
- 18 907295 HOSE-RINSE 12x19.5
- 19 905453 ELBOW-HUB-UPPER-GREY PLASTIC
- 20 903351 GASKET-ELBOW
- 21 904662 PANEL-REAR UPPER
- 22 904663 PANEL-REAR LOWER
- 23 907862 SCREW BOLT-PANEL FIXING
- 24 907785 BOLT-S/STEEL-FEMALE-SIDE PANEL
- 25 900909 INNER TANK-S/STEEL
- 26 904019 PANEL-OUTER PANEL SKIN
- 27 904711 PANEL-TOP
- 28 905382 TEE-HOSE RINSE HOSE/EQUAL TEE
- 29 906030 WASHER-M6x16x1
- 30 900311 BEARING-BRASS-REAR HANDLE
- 31 929406 FIXING KIT UPGRADE-HOOD PANEL



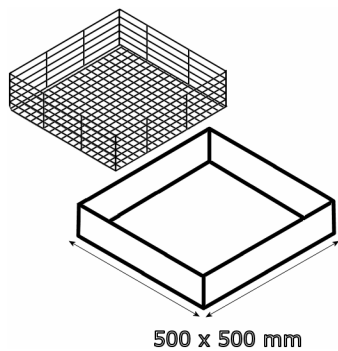
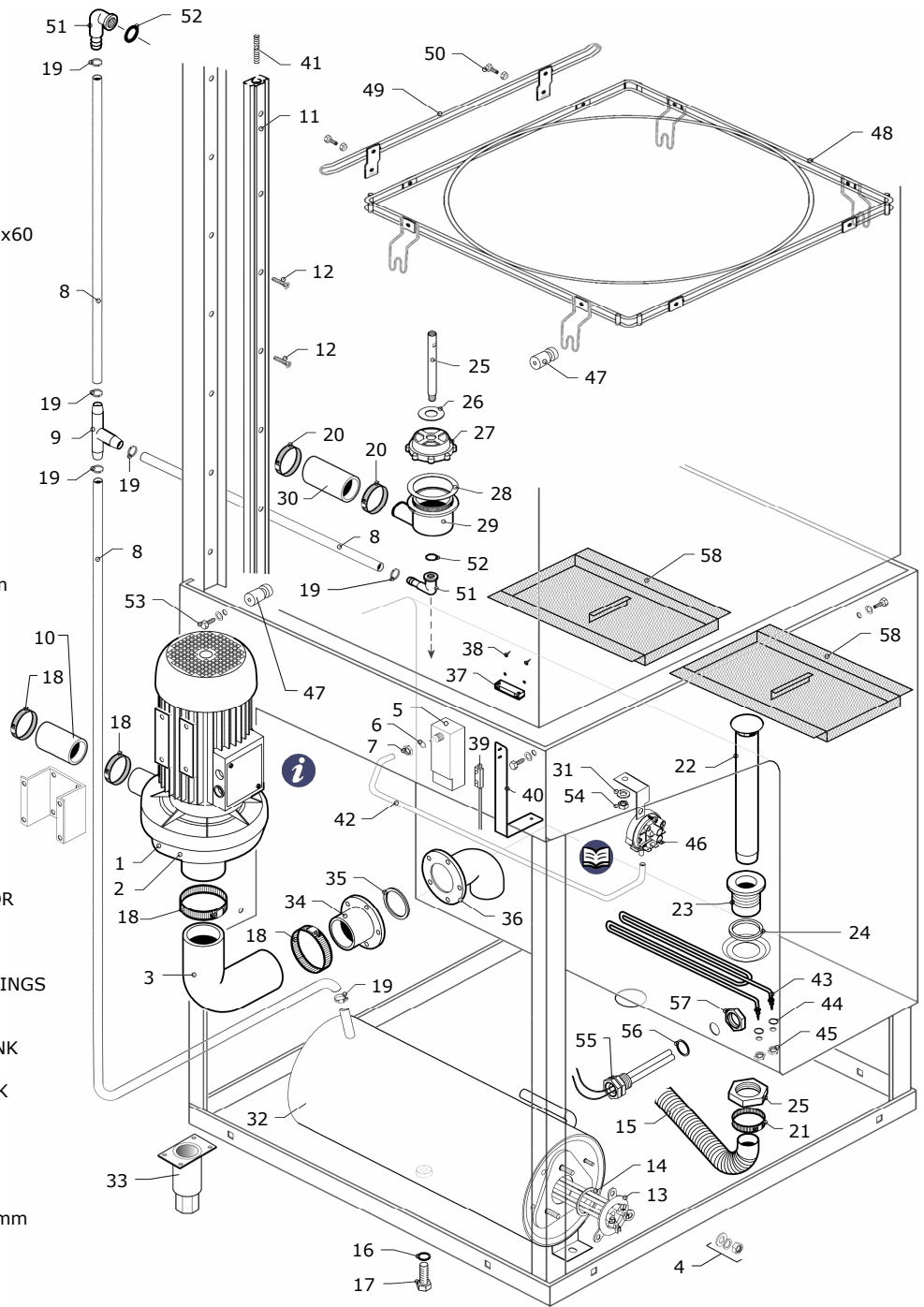
POS CODE DESCRIPTION

- 1 904519 PANEL-FRONT WITH CONTROL
- 2 904583 PANEL-FRONT
- 3 904667 PANEL-LOWER LEFT SIDE
- 4 904666 PANEL-LOWER RIGHT SIDE
- 5 907862 SCREW BOLT-PANEL FIXING



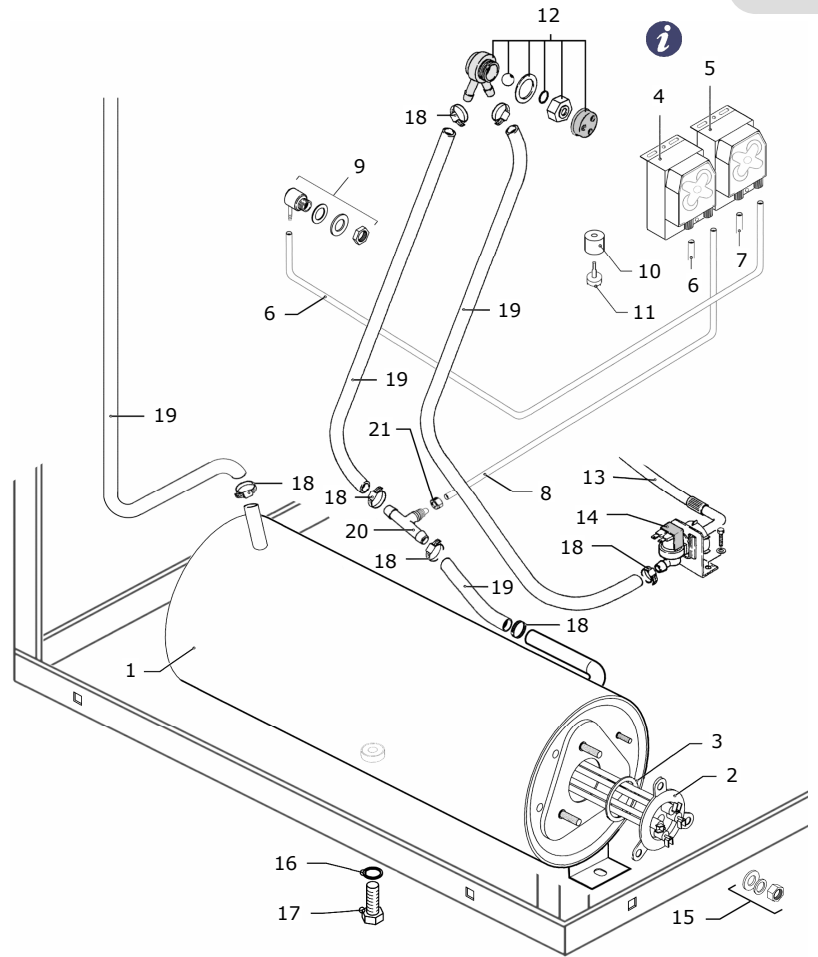
POS CODE DESCRIPTION 1996 ~ 2003

1	902316	PUMP WASH 1.50 hp
2	902320	PUMP WASH 1.50 hp-1.10 kw
3	903704	HOSE-PUMP INLET
4	923392	NUT-SET/ELEMENT FIXING
5	TR0268	AIR TRAP H =130
6	903260	GASKET-AIR TRAP 3/8"
7	902100	NUT 3/8"
8	907295	HOSE-RINSE 12x19.5
9	905382	TEE-HOSE RINSE HOSE/EQUAL TEE
10	TR0475	HOSE LARGE BORE-PUMP OUTLET-50x60
11	901685	SLIDING RAIL-GREEN FOR HOOD
12	929406	SCREW-SLIDING RAIL FIXING
13	905571	ELEMENT-BOILER 6.000kw + O-RING
14	907981	O-RING-BOILER ELEMENT
15	907451	HOSE-WASTE D=32.0
16	904430	O-RING-DRAIN BOLT-BOILER
17	907820	DRAIN BOLT-BOILER-M8x12
18	902490	CLIP 58-75/SIZE 75
19	902440	CLIP 13-20/SIZE 20
20	902441	CLIP 38-50/SIZE 50
21	902460	CLIP 26-38/SIZE 38
22	TR1039	DRAIN PLUG H 325mm
23	905450	HOUSING-DRAIN PLUG 1 1/4"
24	904380	GASKET-HOUSING INLET
25	904753	WASH PIN-LOWER EXTENDED 131mm
26	906001	WASHER-RINSE PIN-HUB LOWER
27	900050	NUT-LOWER HUB-PLASTIC
28	TR2448	GASKET-HUB-LOWER
29	900049	HUB-LOWER
30	908712	HOSE-WASH-CONNECTING
31	905940	WASHER/SPRING
32	900485	BOILER
33	TR0299	FOOT
34	901653	HOUSING-PUMP INLET-EXT
35	904395	GASKET-HOUSING INLET
36	TR0977	HOUSING-PUMP INLET-INT
37	908706	DOOR MAGNET
38	907654	SCREW-DOOR MAGNET FIXING
39	TR0666	SWITCH-REED PLASTIC CASE-SENSOR
40	908504	BRACKET-REED SWITCH SUPPORT
41	904134	SPRING-HOOD-RAIL
42	907279	TUBE-CLEAR-SILICON
43	905748	ELEMENT-WASH TANK 3.000 kw+O-RINGS
44	904391	O-RING-WASH TANK ELEMENT
45	923393	NUT-BRASS-ELEMENT FIXING
46	905281	PRESSURE SWITCH-90/32-WASH TANK
46	905282	PRESSURE SWITCH-160/35-BROWN
47	903444	SUPPORT PIN-FEMALE-BASKET TRACK
48	901679	TRACK-FOR BASKET COMPLETE
49	927098	GUARD-BASKET TRACK
50	927099	BOLT+NUT-GUARD-BASKET TRACK
51	905453	ELBOW-HUB-UPPER-GREY PLASTIC
52	903351	GASKET-ELBOW
53	927780	BOLT SET+WASHER S/STEEL-M6x10mm
54	902010	NUT-M6
55	905191	PROBE-HOUSING 1/2"
56	903250	GASKET-PROBE 1/2"
57	902061	NUT-PROBE 1/2"
58	902633	FILTER SURFACE-S/STEEL-235x310mm
58	902645	FILTER SURFACE-PLASTIC-258x450mm



POS CODE DESCRIPTION 1996 ~ 2003

1	900485	BOILER-6kw-535x160mm
2	905571	ELEMENT-BOILER 6.000kw + O-RING
3	907981	O-RING-BOILER ELEMENT
4	902344	PUMP RINSE AID-PERISTALTIC-SEKO
5	902340	PUMP DETERGENT-PERISTALTIC-SEKO
6	907270	TUBE-CLEAR
7	907274	TUBE-DETERGENT-RED
8	907279	TUBE-CLEAR-SILICON
9	902366	ELBOW-FITTING-DETERGENT
10	906620	WEIGHT-DETERGENT/RINSE AID TUBE
11	902568	FILTER-INLINE DETERGENT & RINSE TUBE
12	TR2433	VALVE-NON RETURN-ANTI SYPHON
13	907345	HOSE-MAINS WATER INLET-L=2000
14	902390	SOLENOID VALVE-1 WAY
15	923392	NUT-SET/ELEMENT FIXING
16	904430	O-RING-DRAIN BOLT-BOILER
17	907820	DRAIN BOLT-BOILER M-8 x 12
18	902440	CLIP 13-20/SIZE 20
19	907295	HOSE-RINSE 12x19.5
20	905376	TEE-HOSE RINSE AID-WITH BRASS FITTING
21	906425	NUT-FITTING BRASS/RINSE AID

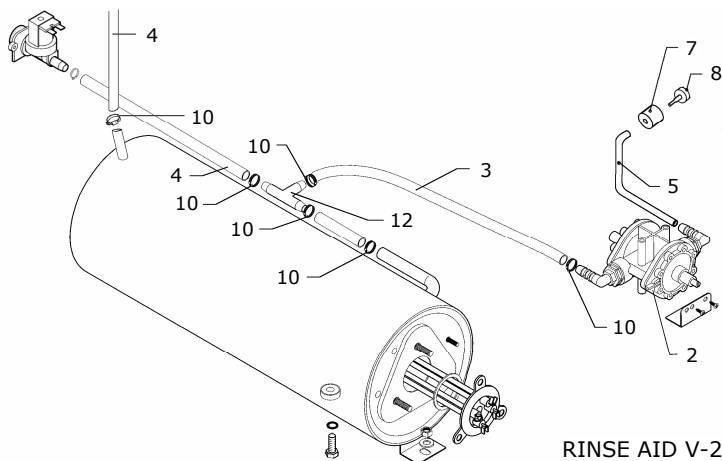
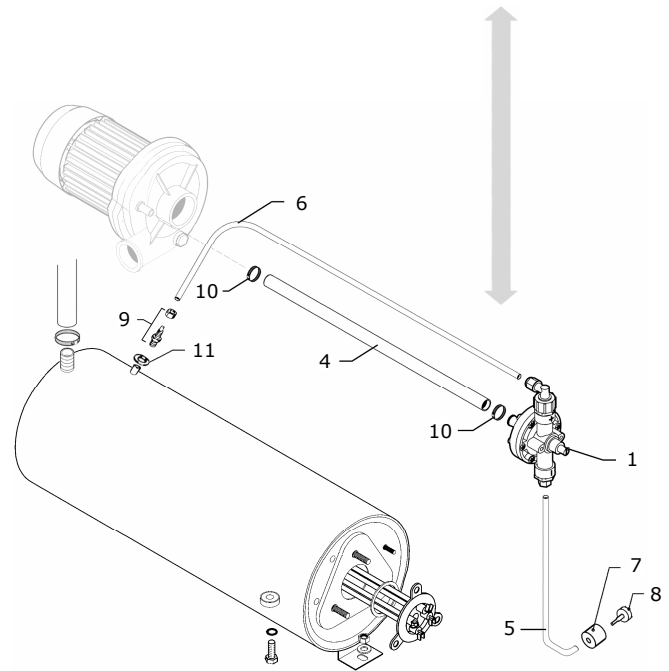


DC1300

FIG. 5

POS CODE DESCRIPTION 1996 ~ 2003

1	901999	INJECTOR RINSE AID-3 WAY-BRASS FITTING
2	902199	INJECTOR RINSE AID-2 WAY/LANG
3	907359	HOSE-RINSE 8x15-INJECTOR RINSE AID
4	907295	HOSE-RINSE 12x19.5
5	907270	TUBE-CLEAR
6	907279	TUBE-CLEAR-SILICON
7	906620	WEIGHT-DETERGENT/RINSE AID TUBE
8	902568	FILTER-INLINE DETERGENT & RINSE TUBE
9	906426	FITTING-RINSE AID-BRASS + NUT
10	902440	CLIP 13-20/SIZE 20
11	920061	GASKET-FIBER
12	905376	TEE-HOSE RINSE AID-WITH BRASS FITTING

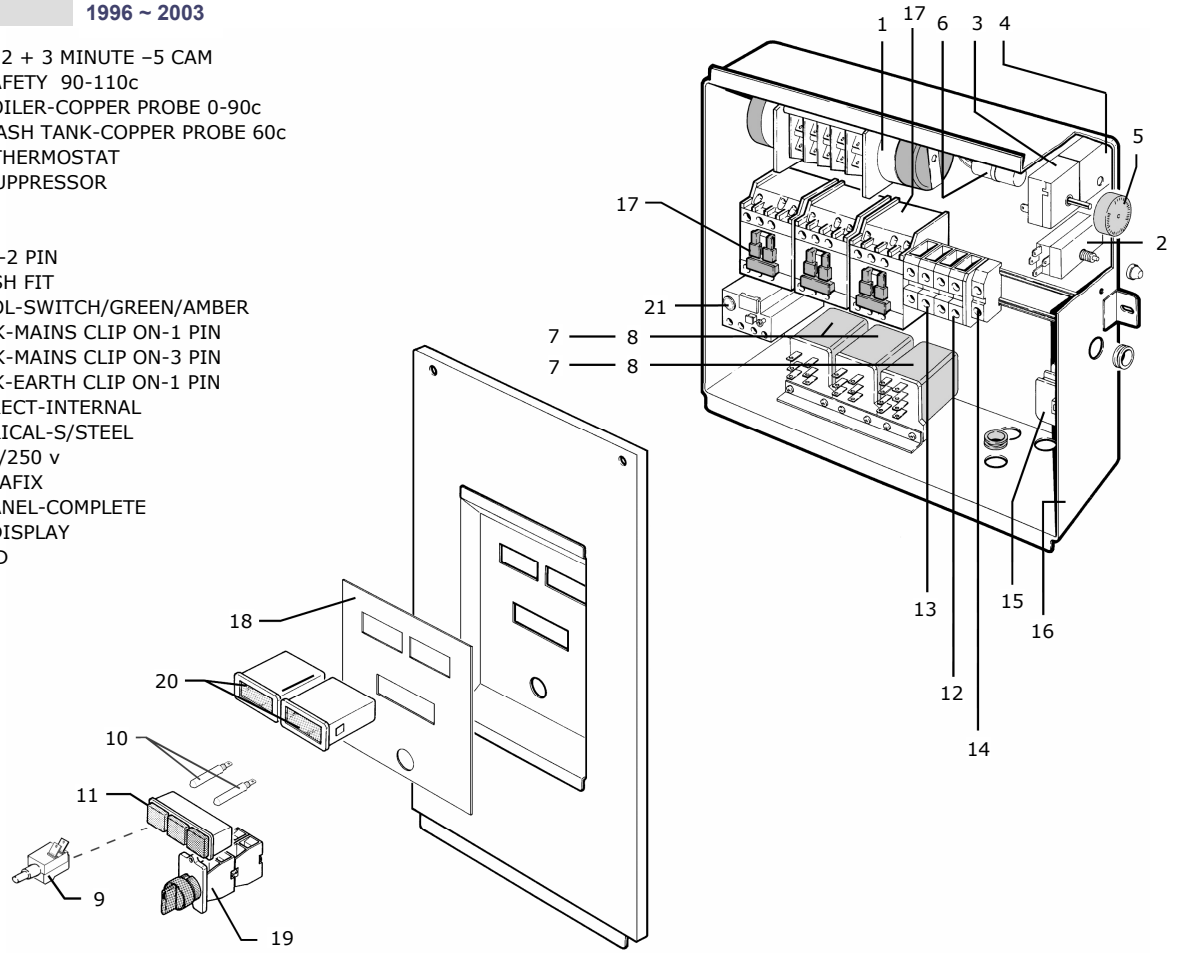


RINSE AID V-1

RINSE AID V-2

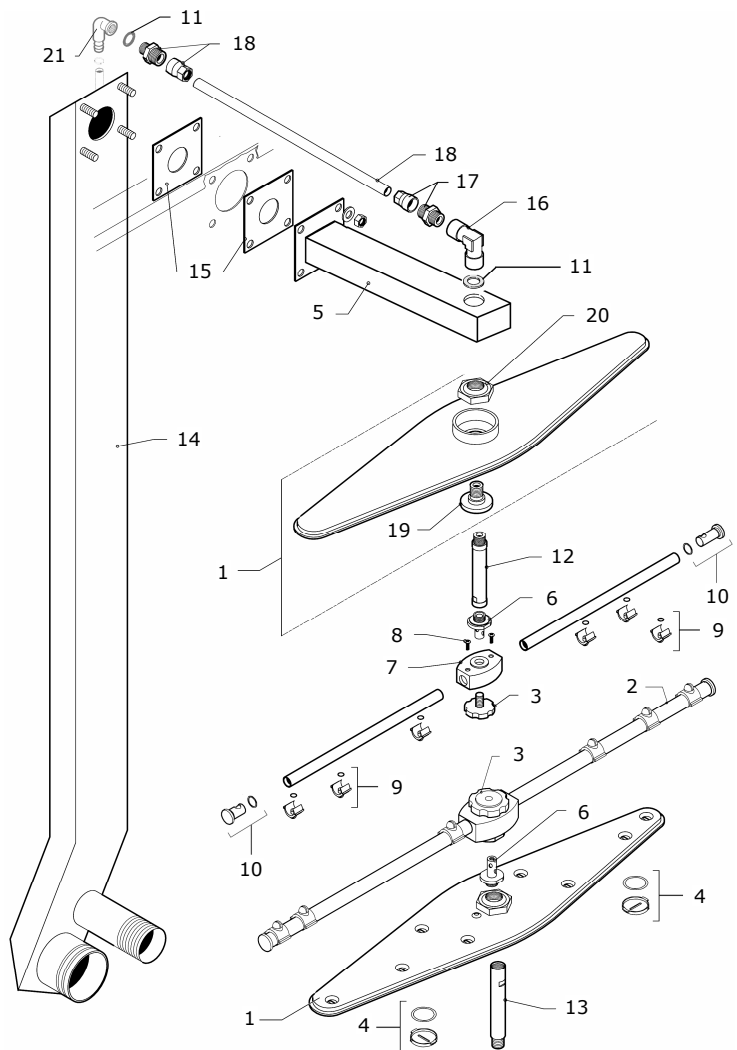
POS CODE DESCRIPTION 1996 ~ 2003

1	907183	TIMER UNIT-1 + 2 + 3 MINUTE -5 CAM
2	907125	THERMOSTAT-SAFETY 90-110c
3	907110	THERMOSTAT-BOILER-COPPER PROBE 0-90c
4	907120	THERMOSTAT-WASH TANK-COPPER PROBE 60c
5	903982	DIAL CONTROL-THERMOSTAT
6	902105	NOISE FILTER-SUPPRESSOR
7	905474	RELAY-6 PIN
8	905479	RELAY 11-PIN
9	905326	SWITCH-ON/OFF-2 PIN
10	903645	LAMP-CLEAR/PUSH FIT
11	905327	SWITCH-CONTROL-SWITCH/GREEN/AMBER
12	TR0319	TERMINAL BLOCK-MAINS CLIP ON-1 PIN
13	TR3178	TERMINAL BLOCK-MAINS CLIP ON-3 PIN
14	904163	TERMINAL BLOCK-EARTH CLIP ON-1 PIN
15	955068	TERMINAL REDIRECT-INTERNAL
16	901075	CABINET-ELECTRICAL-S/STEEL
17	907045	CONTACTOR 9a /250 v
18	927004	PANEL-FACIA/GRAFIX
19	906210	SWITCH-DIAL-PANEL-COMPLETE
20	907090	THERMOMETER DISPLAY
21	TR0391	RELAY OVERLOAD

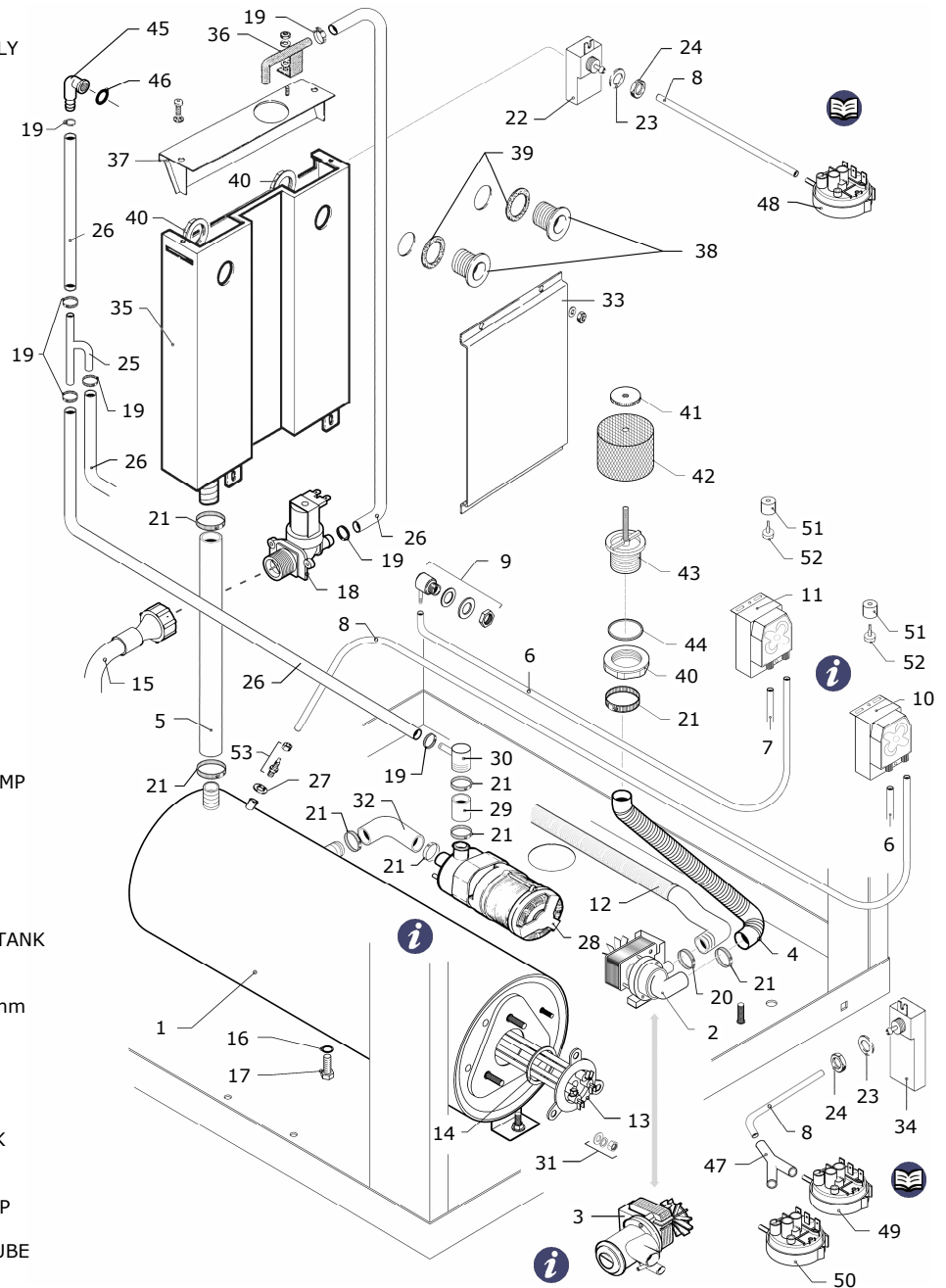


POS CODE DESCRIPTION 1996 ~ 2003

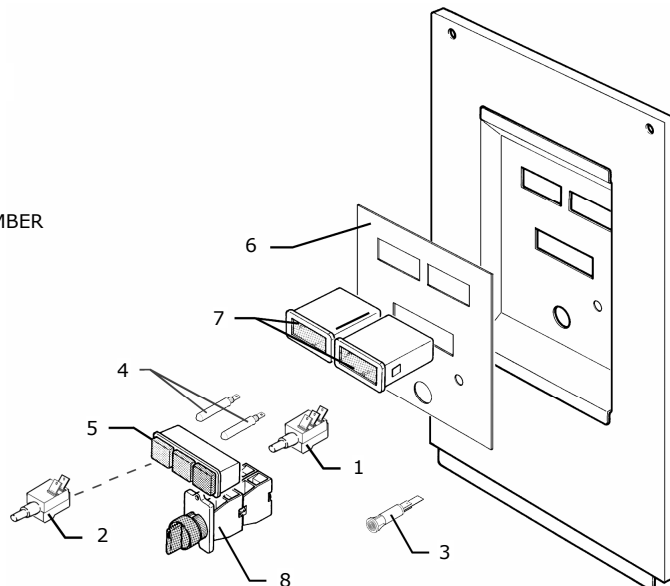
1	902961	WASH ARM-COMPLETE
2	903017	RINSE ARM-COMPLETE
3	902880	NUT-RINSE ARM-PLASTIC
4	906445	INSPECTION CLEANING CAP + O-RING
5	901718	WASH ARM PIPE/STRUCTURE
6	904760	RINSE PIN-S/STEEL
7	904292	BOSS-RINSE ARM
8	907651	SCREW-4x8mm-S/STEEL-BOSS RINSE ARM
9	902816	JET-RINSE + O-RING
10	906451	END CAP-RINSE ARM + O-RING
11	903351	GASKET-FIBER/ELBOW
12	908727	WASH PIN-UPPER
13	904753	WASH PIN-LOWER EXTENDED 131 mm
14	901717	WASH STRUCTURE-S/STEEL-REAR
15	903381	GASKET-WASH ARM STRUCTURE
16	908120	ELBOW-HUB-UPPER S/STEEL 1/4"
17	908121	PIPE FITTING + OLIVE FITTING-NYLON TUBE
18	908888	TUBE-DELIVERY RINSE-NYLON-D=10x8x450mm
19	902891	BOSS-WASH ARM-PLASTIC CENTRE + NUT
20	902890	NUT-BOSS-WASH ARM
21	905453	ELBOW-HUB-UPPER-GREY PLASTIC



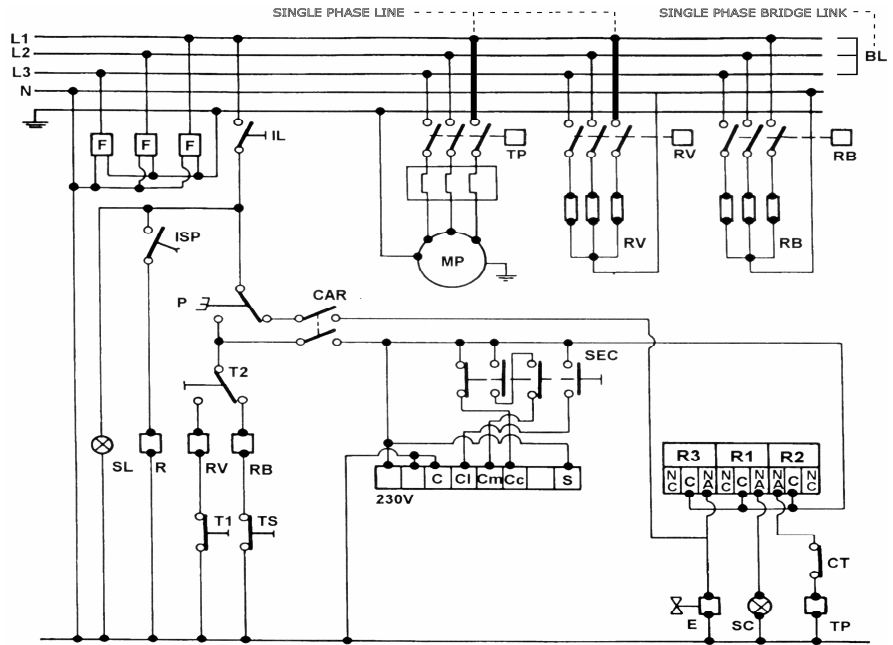
POS	CODE	DESCRIPTION	1996 ~ 2003
1	900494	BOILER-TYPE "A"	
2	902348	PUMP-WASTE	
3	902341	PUMP-WASTE+FITTED FILTER ASSEMBLY	
4	927441	HOSE-WASH TANK/WASTE PUMP	
5	923675	HOSE-BREAK TANK HOSE TO BOILER	
6	907270	TUBE-CLEAR	
7	907274	TUBE-DETERGENT-RED	
8	907279	TUBE-CLEAR-SILICON	
9	902366	ELBOW-FITTING-DETERGENT	
10	902344	PUMP RINSE AID-PERISTALTIC	
11	902340	PUMP DETERGENT-PERISTALTIC	
12	907439	HOSE-WASTE D=18.5/L=2000	
13	905571	ELEMENT-BOILER 6.000 kw + O-RING	
14	907981	O-RING-BOILER ELEMENT	
15	907345	HOSE-MAINS WATER INLET	
16	904430	O-RING-DRAIN BOLT-BOILER	
17	907820	DRAIN BOLT-BOILER M-8 x 12	
18	902390	SOLENOID VALVE-1 WAY	
19	902440	CLIP 13-20/SIZE 20	
20	902454	CLIP 19-28/SIZE 28	
21	902460	CLIP 26-38/SIZE 38	
22	907252	AIR TRAP H=90-BREAK TANK	
23	903260	GASKET-AIR TRAP 3/8"	
24	902100	NUT 3/8"	
25	925331	TEE-HOSE RINSE -S/STEEL-U	
26	907295	HOSE-RINSE 12x19.5	
27	920061	GASKET-FIBER-NRV	
28	902236	PUMP 0.21 kw-RINSE BOOSTER PUMP	
29	903714	HOSE-R.B.P-OUTLET	
30	901651	ELBOW-REDUCING-RBP-S/STEEL	
30	901652	ELBOW-REDUCING-RBP-PLASTIC	
31	923392	NUT-SET/ELEMENT FIXING	
32	903713	HOSE-INLET-R.B.P RINSE BOOSTER PUMP	
33	900024	COVER-BREAK TANK-OUTLET	
34	TR0268	AIR TRAP H=130	
35	900004	BREAK TANK-TYPE "A"	
36	900002	TAP-OUTLET-BREAK TANK	
37	920001	COVER-BREAK TANK-TOP	
38	TR1234	HOUSING OVERFLOW-BREAK TANK	
39	903325	GASKET-HOUSING OVERFLOW-BREAK TANK	
40	902080	NUT-HOUSING	
41	902850	NUT-FILTER-PLASTIC	
42	904467	FILTER-BOWL/HOUSING PUMP~75x52mm	
43	905380	HOUSING-PUMP INLET	
44	904380	GASKET-HOUSING INLET	
45	905453	ELBOW-HUB-UPPER-GREY PLASTIC	
46	903351	GASKET-ELBOW	
47	905423	Y-PIECE PRESSURE SWITCH/TUBE	
48	905270	PRESSURE SWITCH-40/20-BREAK TANK	
49	905281	PRESSURE SWITCH-90/32-WASH TANK	
49	905282	PRESSURE SWITCH-160/35-BROWN	
50	905275	PRESSURE SWITCH-35/90-WASTE PUMP	
51	906620	WEIGHT-DETERGENT/RINSE AID TUBE	
52	902568	FILTER-INLINE DETERGENT & RINSE TUBE	
53	906426	FITTING-RINSE AID-BRASS + NUT	



POS	CODE	DESCRIPTION	1996 ~ 2003
1	905333	SWITCH-ON/OFF-3 PIN-WP	
2	905338	SWITCH-WASTE PUMP-YELLOW	
3	903629	LAMP-AMBER	
4	903645	LAMP-CLEAR/PUSH FIT	
5	905327	SWITCH-CONTROL-SWITCH/GREEN/AMBER	
6	907002	PANEL-FACIA/GRAFIX	
7	907090	THERMOMETER DISPLAY	
8	906210	SWITCH-DIAL-PANEL-COMPLETE	



- C COMMON
- C1 LONG CYCLE / 3MINS
- CC SHORT CYCLE / 1 MINS
- CM MEDIUM CYCLE / 2 MINS
- CAR AUXILIARY RELAY CONTACT
- E SOLENOID VALVE
- CT PUMP THERMAL CONTACT
- F NOISE SUPPRESSORS
- IL LINE SWITCH
- ISP DOOR SAFETY REED SWITCH
- MP WASH PUMP MOTOR
- P PRESSURE SWITCH
- R1 SWITCHING RELAY
- R2 SWITCHING RELAY
- R3 SWITCHING RELAY
- R DOOR SWITCH RELAY
- RB BOILER ELEMENT
- RV WASH TANK ELEMENT
- S START
- SC CYCLE LAMP
- SEC CYCLE SELECTOR SWITCH
- SL ON/OFF LAMP
- T1 THERMOSTAT-WASH TANK
- T2 THERMOSTAT-BOILER
- TP CONTACTOR-WASH PUMP
- TS THERMOSTAT-SAFETY-OVERLOAD
- BL BRIDGE LINK-SINGLE PHASE

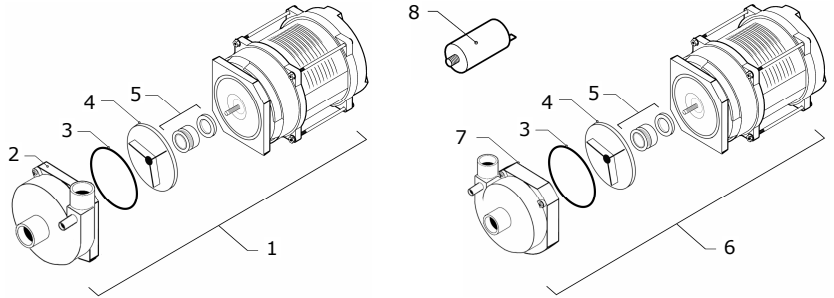


**RINSE BOOSTER PUMP-PARTS**



POS	CODE	DESCRIPTION
-----	------	-------------

- 1 902235 RINSE BOOSTER PUMP 0.20 kw
- 2 902235A IMPELLOR HOUSING
- 3 902235B SEAL-IMPELLOR HOUSING
- 4 902235C IMPELLOR
- 5 902235D SEAL-INNER SHAFT
- 6 902236 RINSE BOOSTER PUMP 0.20 kw
- 7 902236A IMPELLOR HOUSING-REVERSE HOUSING
- 8 901744 CAPACITOR-6.3 uf

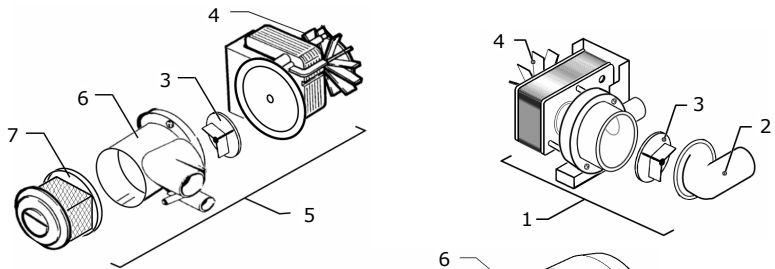


**WASTE PUMP-PARTS**



POS	CODE	DESCRIPTION
-----	------	-------------

- 1 902348 PUMP-WASTE
- 2 922339 IMPELLOR HOUSING-WASTE PUMP
- 3 902097 IMPELLOR-WASTE PUMP
- 4 920031 FAN-WASTE PUMP
- 5 902341 PUMP-WASTE-FITTED FILTER ASSEMBLY
- 6 902339 IMPELLOR HOUSING-FILTER-WASTE PUMP
- 7 906431 FILTER ASSEMBLY-WASTE PUMP

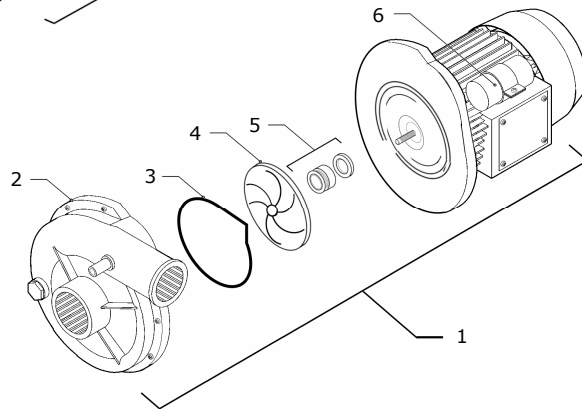


**WASH PUMP-PARTS**



POS	CODE	DESCRIPTION
-----	------	-------------

- 1 902305 PUMP WASH
- 2 902305A IMPELLOR HOUSING
- 3 902305B SEAL-IMPELLOR HOUSING
- 4 902305C IMPELLOR
- 5 902305D SEAL-INNER SHAFT
- 6 901743 CAPACITOR -16.0 uf



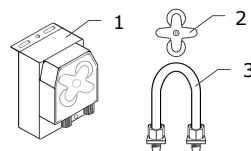
**PERISTALTIC PUMP-PARTS**



POS	CODE	DESCRIPTION	1996 ~ 2003
-----	------	-------------	-------------

- 1 902344 PUMP RINSE AID-PERISTALTIC-SEKO
- 2 920082 ROTOR-PUMP-RINSE AID PERISTALTIC-SEKO
- 3 907277 PERISTALTIC TUBE-PUMP-RINSE AID-SEKO
- 4 902340 PUMP DETERGENT-PERISTALTIC-SEKO-BR3
- 5 920085 ROTOR-PUMP-DETERGENT PERISTALTIC-SEKO-BR3
- 6 907276 PERISTALTIC TUBE-PUMP-DETERGENT-SEKO-BR3

RINSE AID PUMP-PERISTALTIC SEKO-BM0,0



DETERGENT PUMP-PERISTALTIC SEKO BR3

