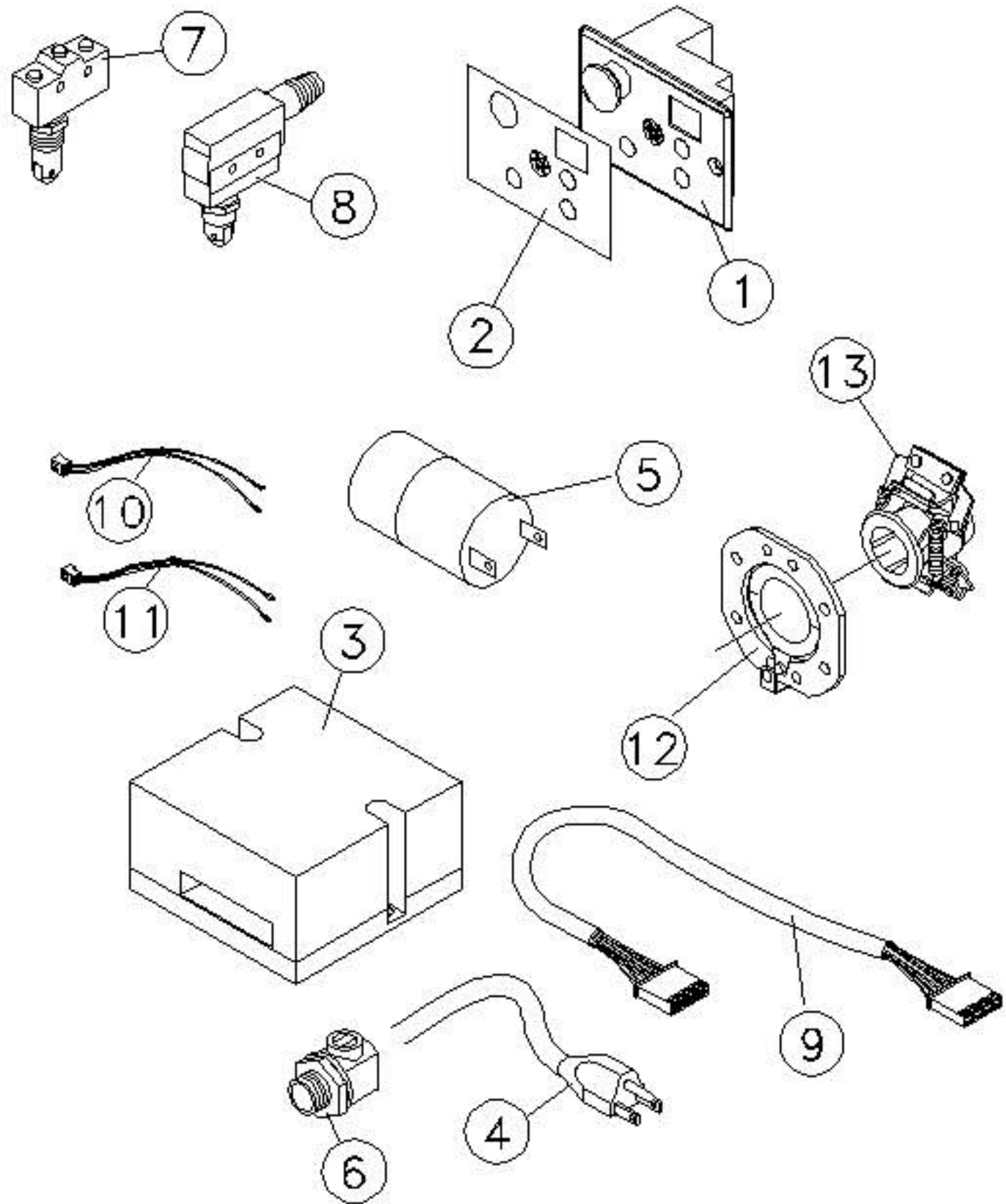


HL-11012



FM20 Digital Control Parts List (2007 on)

FM20 -HL-11012

Illus. No	Part No.	Description	Qty	Remark
1	11012-01-009E	CONTROL PANEL W/BOX	1	
2	GM12-07-003D	STICKER OF OF CONTROL PANEL	1	
3	11012-E-010	POWER BOARD W/BOX	1	SINGLE PHASE
4	CABEL-2-3C-CE	POWER CABLE	1	SINGLE PHASE
5	CP-200UF	CAPACITOR	1	SINGLE PHASE
6	WF-GDT-AG-20	COLLAR	1	
7	Z-15GQ-21B	LIMIT SWITCH-LIFT	1	
8	SHL-Q2155	LIMIT SWITCH-GUARD	1	
9	XL-710-L2	INTERNAL WIRES(PANEL TO POWER BOARD)	1	SINGLE PHASE
10	XL-710-L3	INTERNAL WIRES(LIMIT SWITCH TO LIFT)	1	
11	XL-710-L4	INTERNAL WIRES(LIMIT SWITCH TO GUARD)	1	
12	11012-05-006/50HZ	CENTRIFUGAL GOVERNOR PLATE	1	SINGLE PHASE
13	11012-05-007/50HZ	CENTRIFUGAL GOVERNOR	1	SINGLE PHASE