

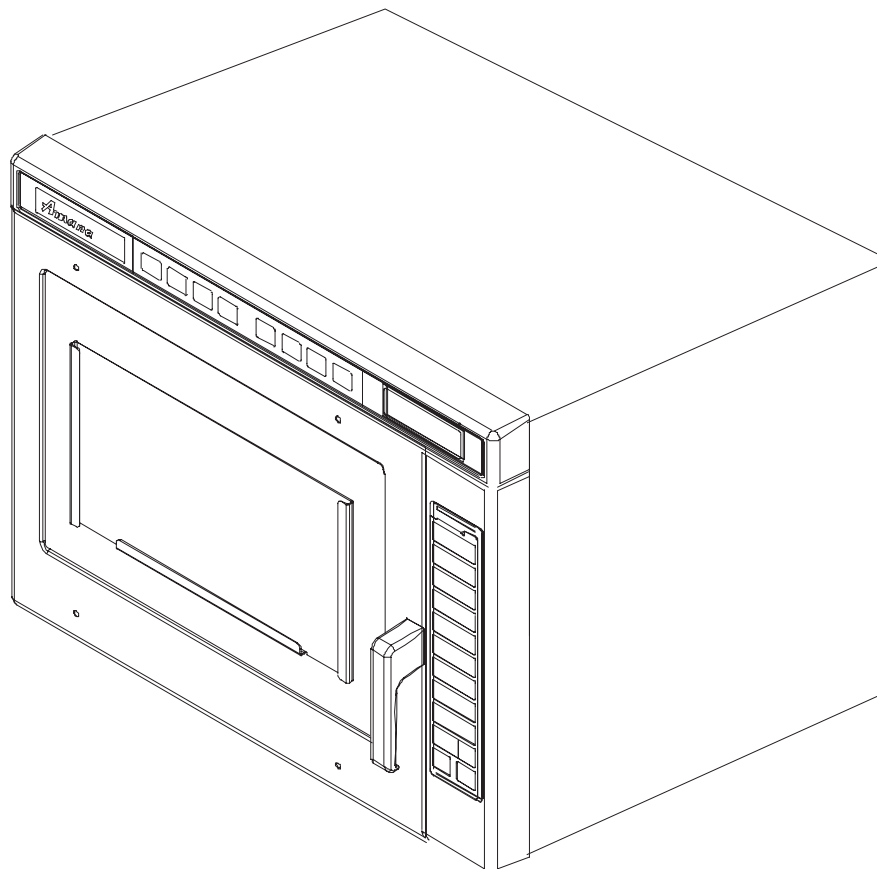
# Parts Information

## Commercial Microwave Oven

### **Important notes:**

This is an uncontrolled document.

There is no record of its distribution and no corrections will be provided.

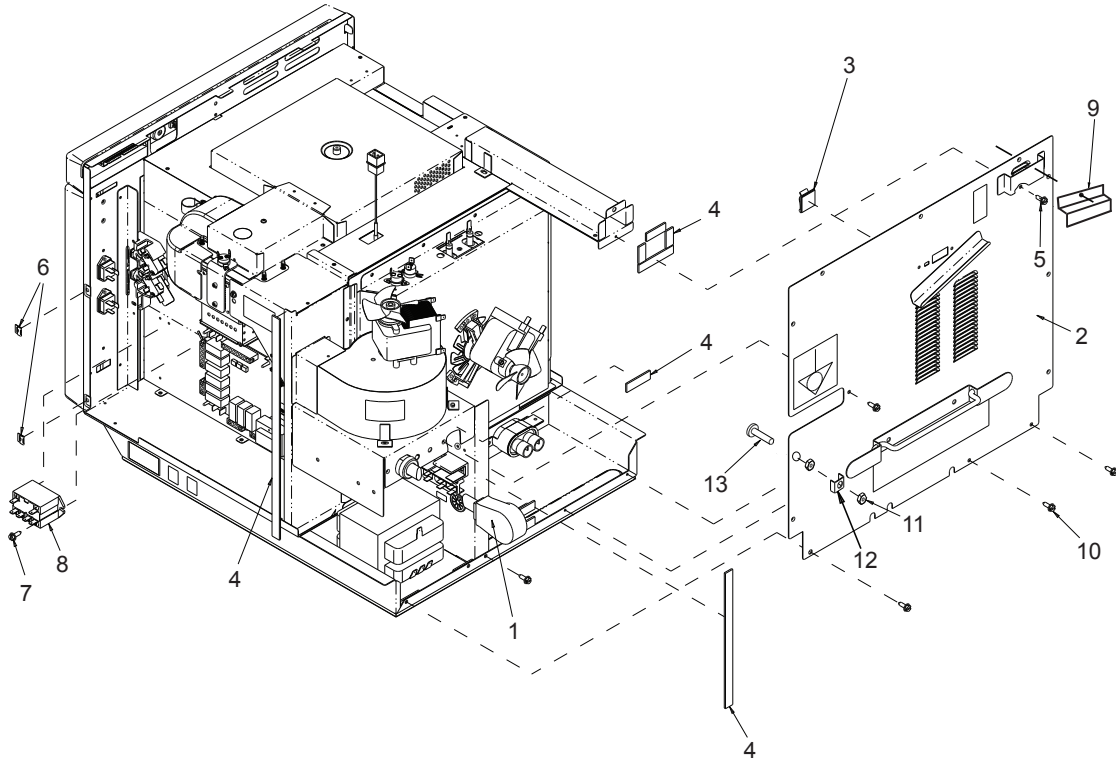


**Models and Manufacturing numbers covered:**

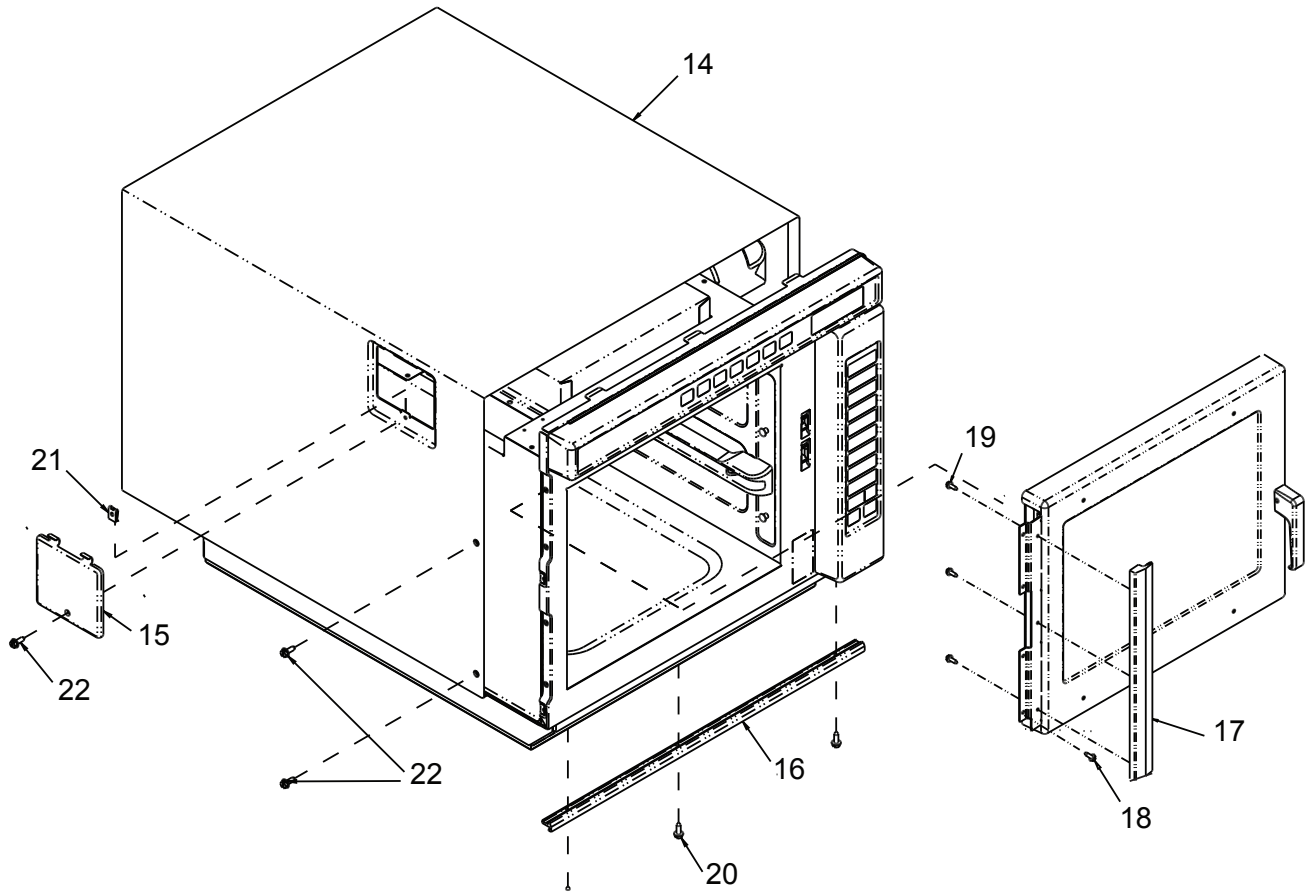
**UCA1400**

**P1333205M**

# REAR PANEL / POWER CORD / POWER RELAY



# OUTERCASE / HINGE COVER



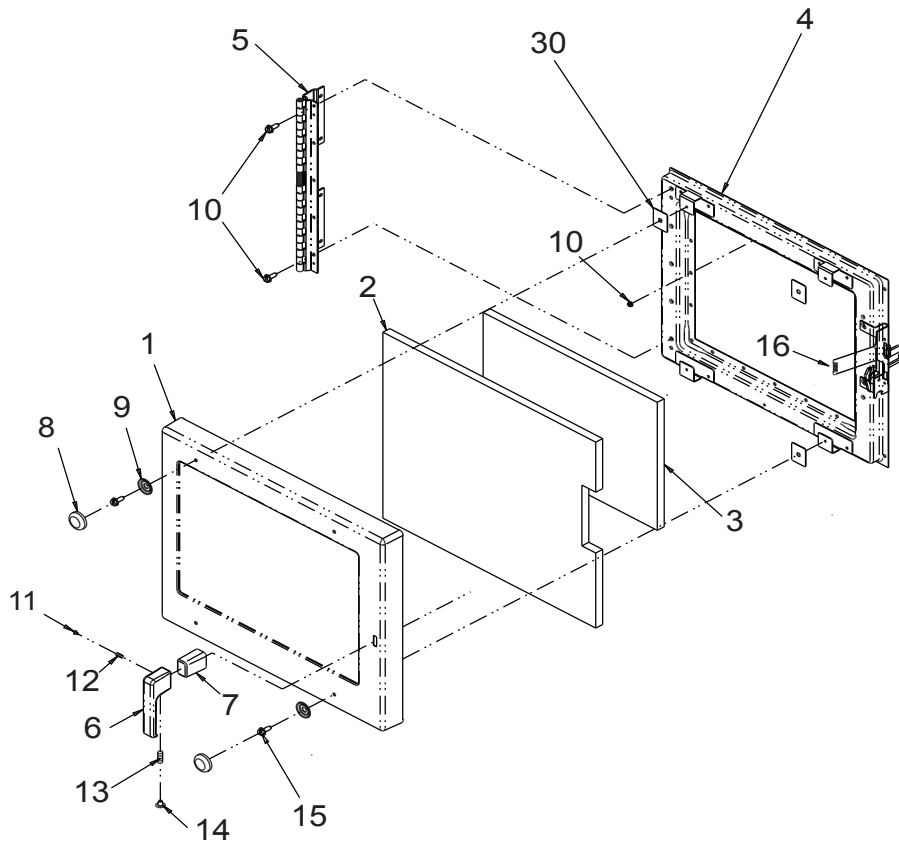
## REAR PANEL / POWER CORD / POWER RELAY

Reference	Part Number	Description	Quantity
1	59002184	CORD POWER	1
2	12002804	ACCESS PANEL	1
3	M0104106	CLIP, CORD	2
4	A3030330	GASKET- PER FT	6 Foot
5	12990526	SCREW	1
6	M0287016	NUT-#6 SPEED	4
7	12990524	SCREW	6
8	12492202	RELAY	1
9	12470201	COVER-VENT	1
10	12990525	SCREW	10
11	13045504	NUT-M6 KEPS	1
12	12152201	WASHER-U TYPE	1
13	M0293512	STUD-M6	1

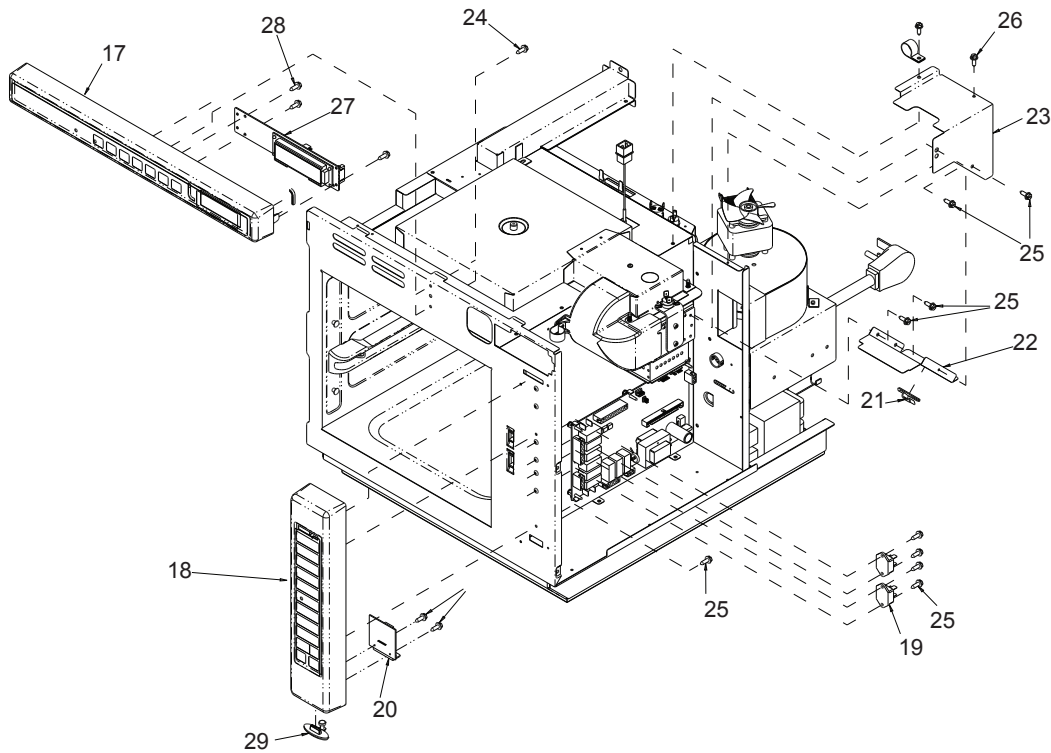
## OUTERCASE / HINGE COVER

Reference	Part Number	Description	Quantity
14	10908901Q	WRAPPER	1
15	10785608	COVER-LIGHT	1
16	10909005	TRIM	1
17	59001230	COVER-HINGE	1
18	12990527	SCREW	4
19	59002004	SCREW	3
20	13042002	SCREW	6
21	M0288215	NUT-SPEED	1
22	13042001	SCREW	5

# DOOR / DOOR HANDLE



# UPPER & LOWER SWITCH / TRIAC / DISPLAY BOARD



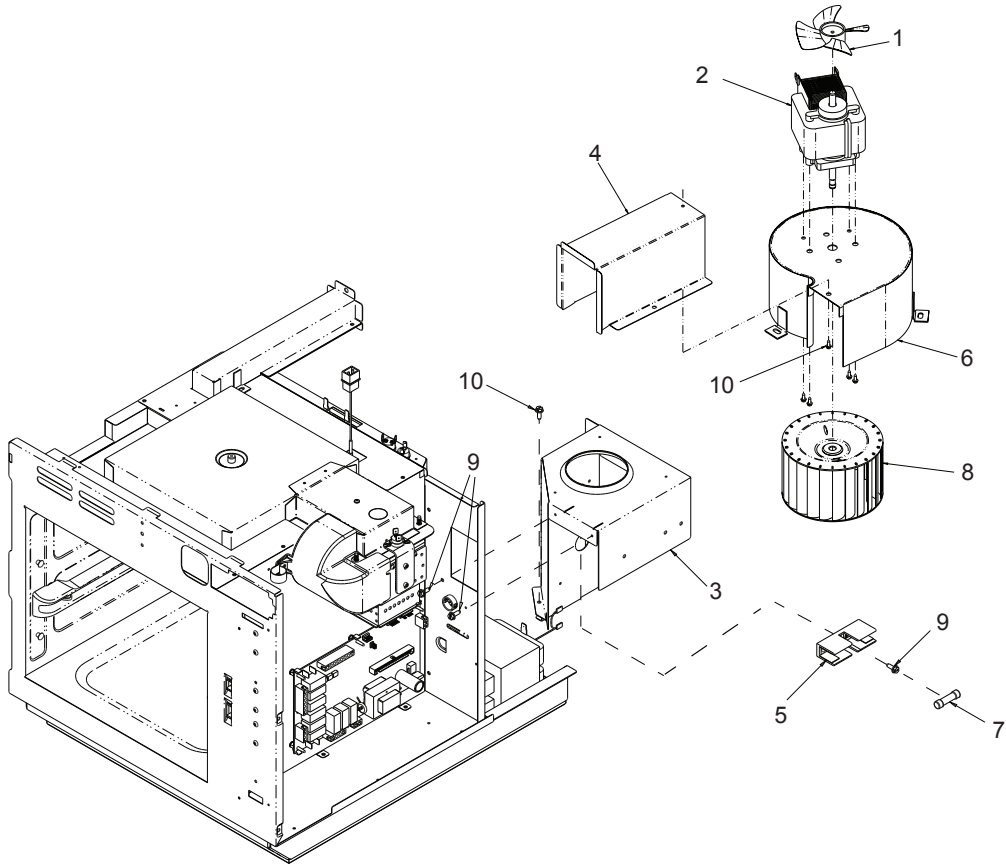
## DOOR / DOOR HANDLE

Reference	Part Number	Description	Quantity
1	59001511	DOOR-OUTER	1
	13098205 (After Serial Number 0903100783)	DOOR-OUTER	1
2	59001720	INSUL-DOOR	1
3	59001719	INSUL-DOOR	1
4	12002760	INNER DOOR KIT	1
5	59001869	HINGE-DOOR	1
6	12490902	HANDLE-DOOR	1
7	12576901	INSERT-HANDLE	1
8	M0295503	CAP-SCREW	4
9	M0295502	WASHER-CAP SCREW	4
10	13045502	NUT-#8 KEPS	20
11	12360703	PLUG-HOLE	1
12	59002036	SCREW (3/32) POINTED	1
13	13047001	SCREW (3/32) FLAT TIP	1
14	M0310305	PLUG-WHITE BUTTON	1
15	13042701	SCREW (CROWS FOOT) CROWS FOOT DRIVER PART # 92113P01	4
16	59001721	SPRING, LATCH	1

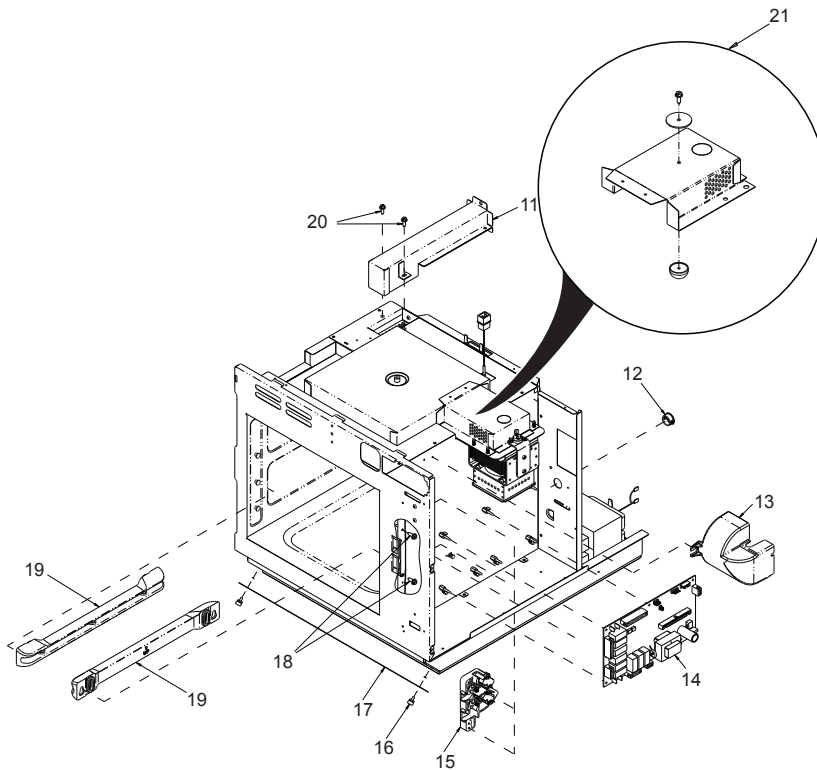
## UPPER & LOWER SWITCH / TRIAC / DISPLAY BOARD

Reference	Part Number	Description	Quantity
17	59002099	TOUCH PANEL (TOP) (Amana)	1
17	59002100	TOUCH PANEL (TOP) (MenuMaster)	1
18	59002093	TOUCH PANEL (SIDE) (Amana)	1
18	59002098	TOUCH PANEL (SIDE) (MenuMaster)	1
19	59002026	TRIAC (40A)	2
20	59002095	BOARD-DATA KEY	1
	59002085	HARNESS, DATA KEY	1
21	M0104106	CLIP, CORD	2
22	10978601	DUCT-BLOWER/MAG	1
23	10978703	COVER-MAG INLET	1
24	59001208	SCREW	7
25	12990526	SCREW	21
26	12990522	SCREW	2
27	59002084	BOARD-DISPLAY	1
28	13042002	SCREW	6
29	59002092	PLUG, DATA KEY	1
N/S	13042002	EZ CARD (BLACK)	1

# BLOWER MOTOR / FUSE BLOCK



# HV BOARD / INTERLOCK / RACK GUIDE



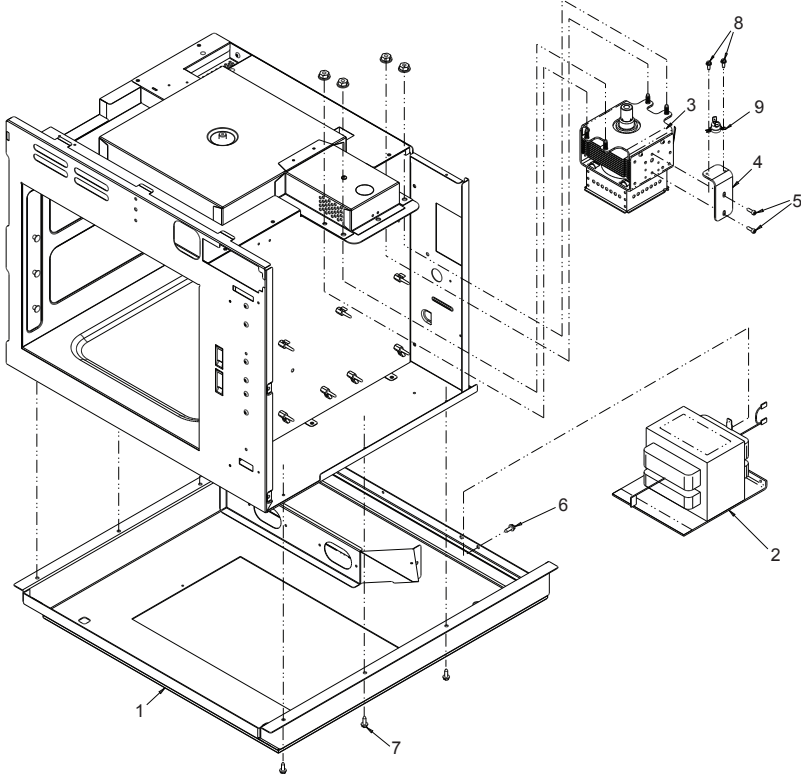
## BLOWER MOTOR / FUSE BLOCK

<b>Reference</b>	<b>Part Number</b>	<b>Description</b>	<b>Quantity</b>
1	B5706704	BLADE, FAN	1
2	10773308	MOTOR-BLOWER	1
3	12000816	BLOWER BRKT	1
4	10977801	TRANSITION-BLOWER	1
5	10091101	BLOCK-FUSE	1
6	10797203	SCROLL	1
7	M0805203	FUSE-20A	1
8	C3670809	WHEEL-BLOWER	1
9	12990522	SCREW	3
10	12990526	SCREW	7

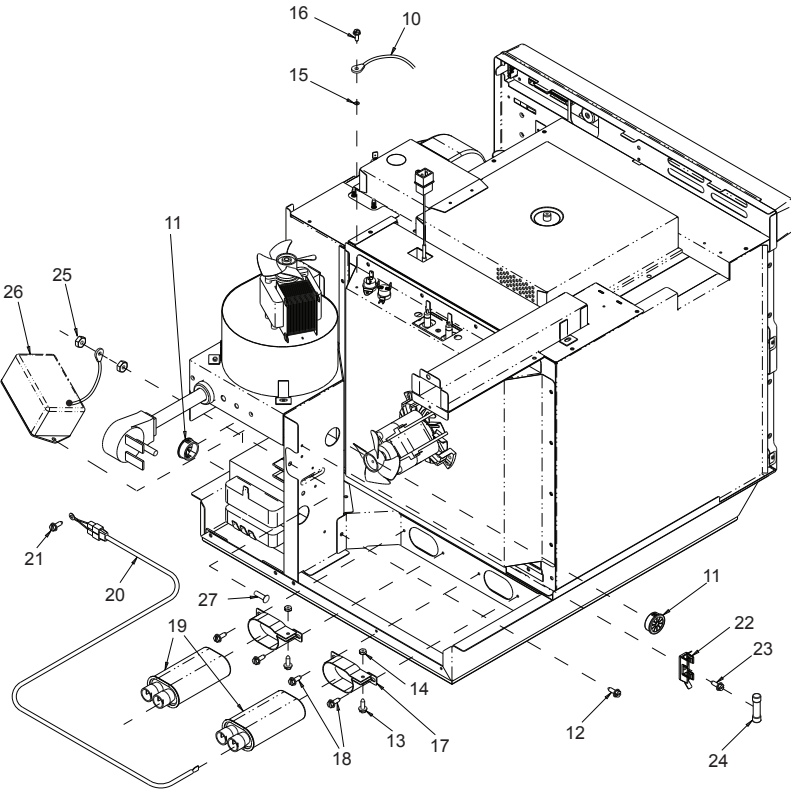
## HV BOARD / INTERLOCK / RACK GUIDE

<b>Reference</b>	<b>Part Number</b>	<b>Description</b>	<b>Quantity</b>
11	12002901	FLUE DUCT	1
12	M0571001	BUSHING-SNAP	1
13	12018102	DUCT-MAG/WVGD	1
14	59004051	ACE5140 HV BOARD-PROGRAMMED	1
	59004051	DS1400E HV BOARD-PROGRAMMED	1
	59004053	UCA1400 HV BOARD-PROGRAMMED	1
	13018301	HARNESS, HV BOARD to DISPLAY	1
15	12360509	SWITCH-INTERLOCK	1
16	13042901	SCREW-THUMB	2
17	10853102	GRILLE-AIR INLET	1
18	12876603	SCREW	2
19	12523203	RACK GUIDE ASSY	2
20	12990526	SCREW	2
21	14080012	KIT, TUNING STUB	1

# BASE / MAGNETRON / TRANSFORMER



# PLUGS / CAPACITORS / DIODE ASSEMBLY





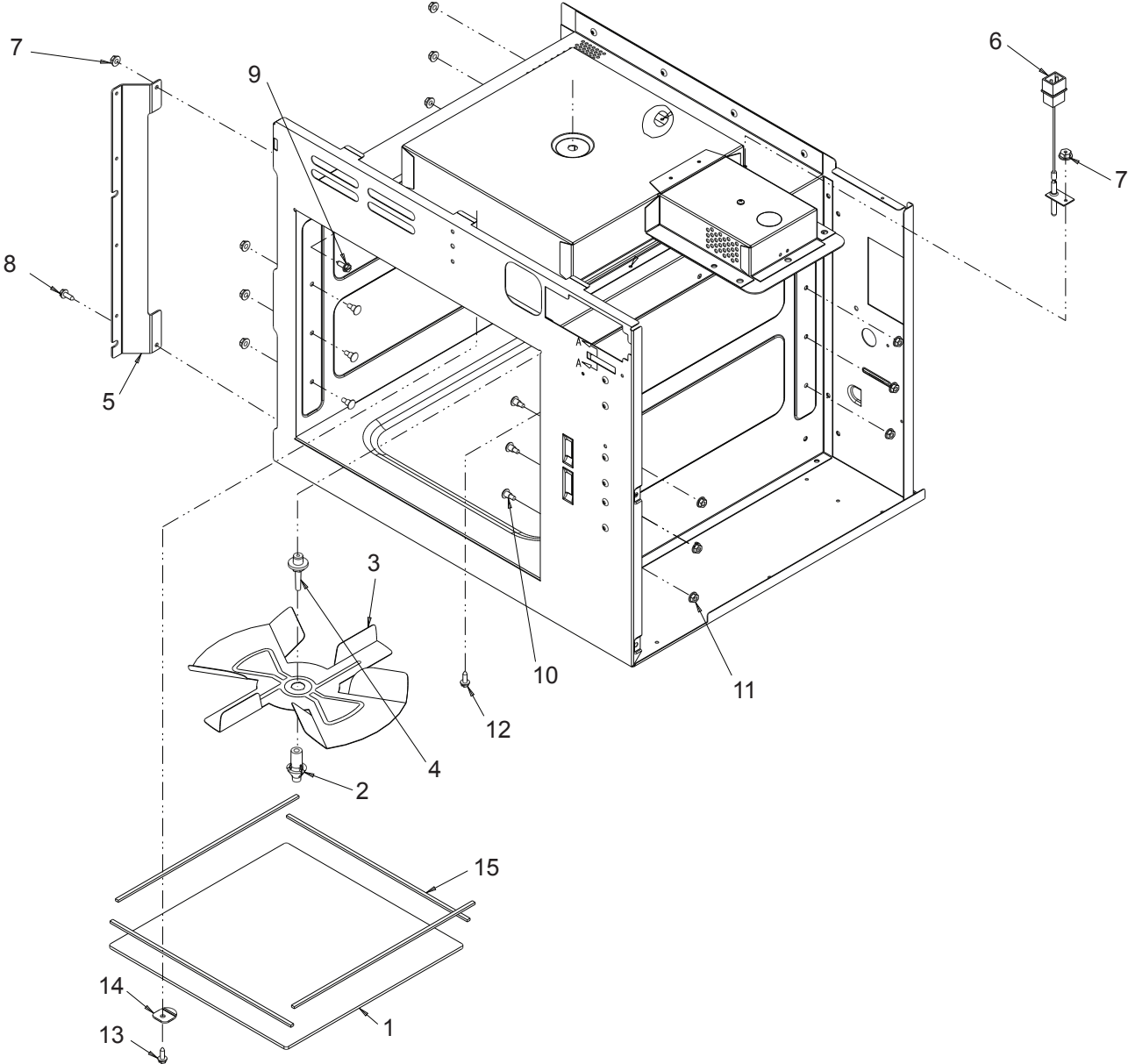
## BASE / MAGNETRON / TRANSFORMER

Reference	Part Number	Description	Quantity
1	59002096	BASEPAN ASSY	1
2	59002087	TRANSFORMER - HV	1
3	59002081	MAGNETRON-2M262	1
	13017709	JUMPER WIRE "MAG FA to CAP"	1
4	13080901	BRKT-TCO MTG	1
5	M0229916	SCREW	2
6	12990526	SCREW	6
7	12991605	SCREW	6
8	13041602	SCREW	2
9	B5684121	THERMAL CUTOFF - MAG	1

## PLUGS / CAPACITORS / DIODE ASSEMBLY

Reference	Part Number	Description	Quantity
10	59002183	HARNESS-J7 CONNECTOR & WIRES	1
	59002182	HARNESS-WIRING	1
11	M0571003	BUSHING-SNAP	2
12	12990526	SCREW	21
13	59001208	SCREW	2
14	13045501	NUT-#6 KEPS	2
15	M0272503	WASHER-#6 LOCK	1
16	13042201	SCREW	1
17	13069001	BRKT-CAPACITOR	2
18	12992305	SCREW	4
19	59001159	CAPACITOR-0.74uF	2
	13017712	JUMPER WIRE "PWR TRANS to CAP to CAP"	1
20	R9800022	DIODE ASSY	1
21	12990524	SCREW	6
22	12136503	FUSE BLOCK	1
23	12990607	SCREW	1
24	M0805102	FUSE (15A)	1
25	13045501	NUT #6 KEPS	3
26	12130001	FILTER-LINE	1
27	M0293511	STUD-#6	1

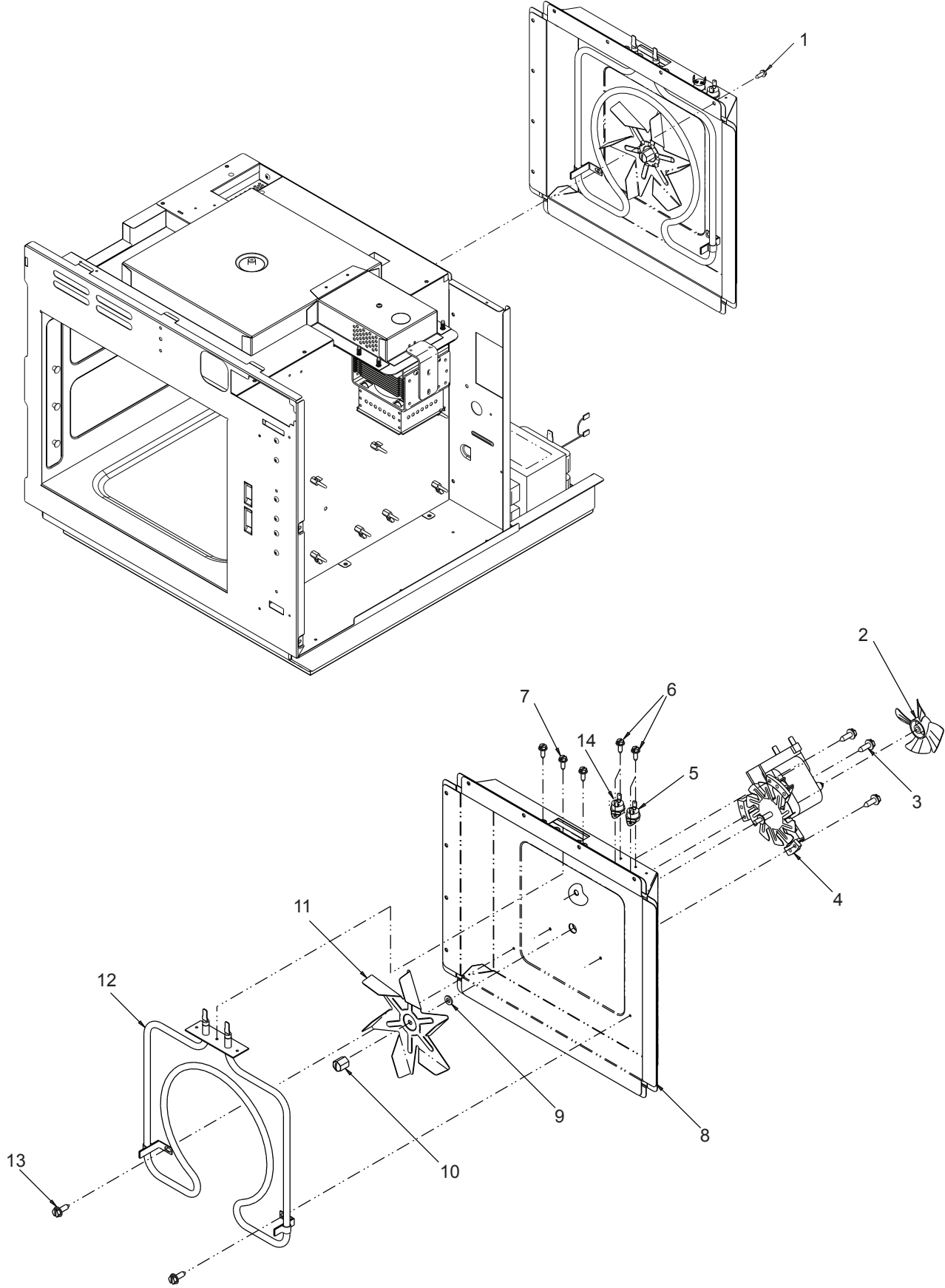
# STIRRER SYSTEM / OVEN TRAY



## STIRRER SYSTEM / OVEN TRAY

<b>Reference</b>	<b>Part Number</b>	<b>Description</b>	<b>Quantity</b>
1	R0150115	COVER, STIRRER	1
2	R0130737	INSERT-STIRRER	1
3	10825904Q	BLADE-STIRRER	1
4	12004401	SHAFT-STIRRER	1
5	12189004	BRKT - HINGE SUPPORT	1
6	12000202	SENSOR-TEMP	1
7	13045501	NUT-#6 KEPS	2
8	59001208	SCREW	2
9	M0202557	SCREW-MACH	1
10	12030101	BOLT-SHOULDER	12
11	13045502	NUT-#8 KEPS	12
12	59001208	SCREW	2
13	M0213802	SCREW	1
14	12188901	RETAINER-TRAY	1
15	12019002	GASKET	4

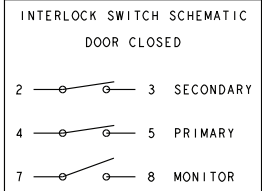
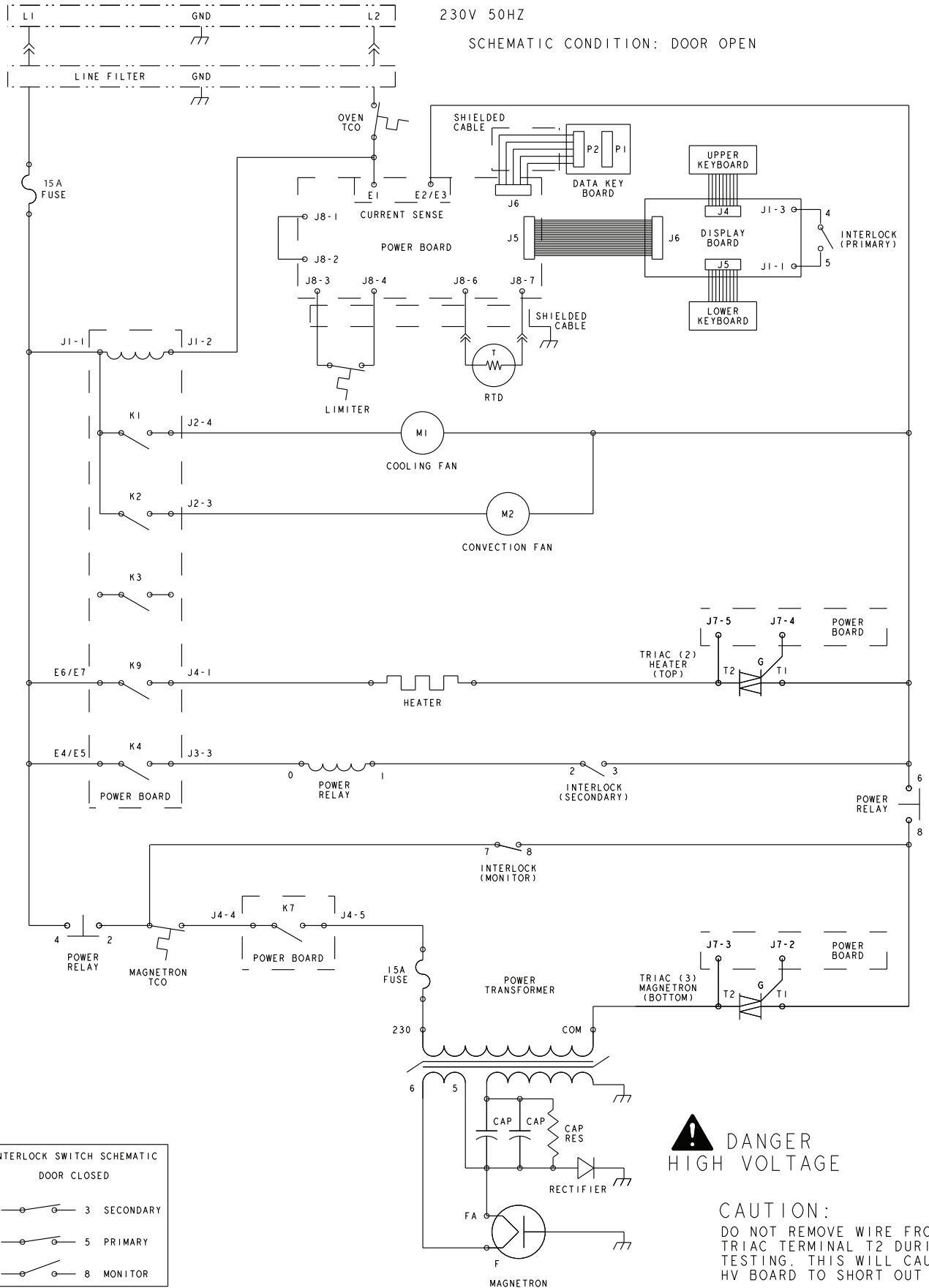
# HEATER BOX / CONVECTION MOTOR



## HEATER BOX / CONVECTION MOTOR

<b>Reference</b>	<b>Part Number</b>	<b>Description</b>	<b>Quantity</b>
1	12990511	SCREW	8
2	59002159	BLADE, REAR CONVECTION MTR	1
3	12992307	SCREW	3
4	59002089	MOTOR-CONVECTION	1
5	31866P01	THERMAL CUTOUT - CONTROL	1
6	13041602	SCREW	2
7	12990606	SCREW	3
8	59001513	HEATER BOX	1
9	12546101	WASHER	1
10	12538001	NUT-CAP	1
11	12537901	BLADE, CONVECTION FAN	1
12	59002082	HEATER	1
13	13041801	SCREW	2
14	B5684123	THERMAL CUTOUT - FAN	1

# WIRING INFORMATION



**! DANGER HIGH VOLTAGE**

**CAUTION:**  
DO NOT REMOVE WIRE FROM TRIAC TERMINAL T2 DURING TESTING. THIS WILL CAUSE HV BOARD TO SHORT OUT

# WIRING INFORMATION

WIRING DIAGRAM  
PART NO. 13070304

WIRE CODE  
— HIGH VOLTAGE  
— LOW VOLTAGE

COLOR CODE

RD  
PK  
OR  
LN  
GR  
BL  
VT  
BK  
BR  
GY  
WH

RED  
PINK  
ORANGE  
YELLOW  
GREEN  
BLUE  
VIOLET  
BLACK  
BROWN  
GRAY  
WHITE

