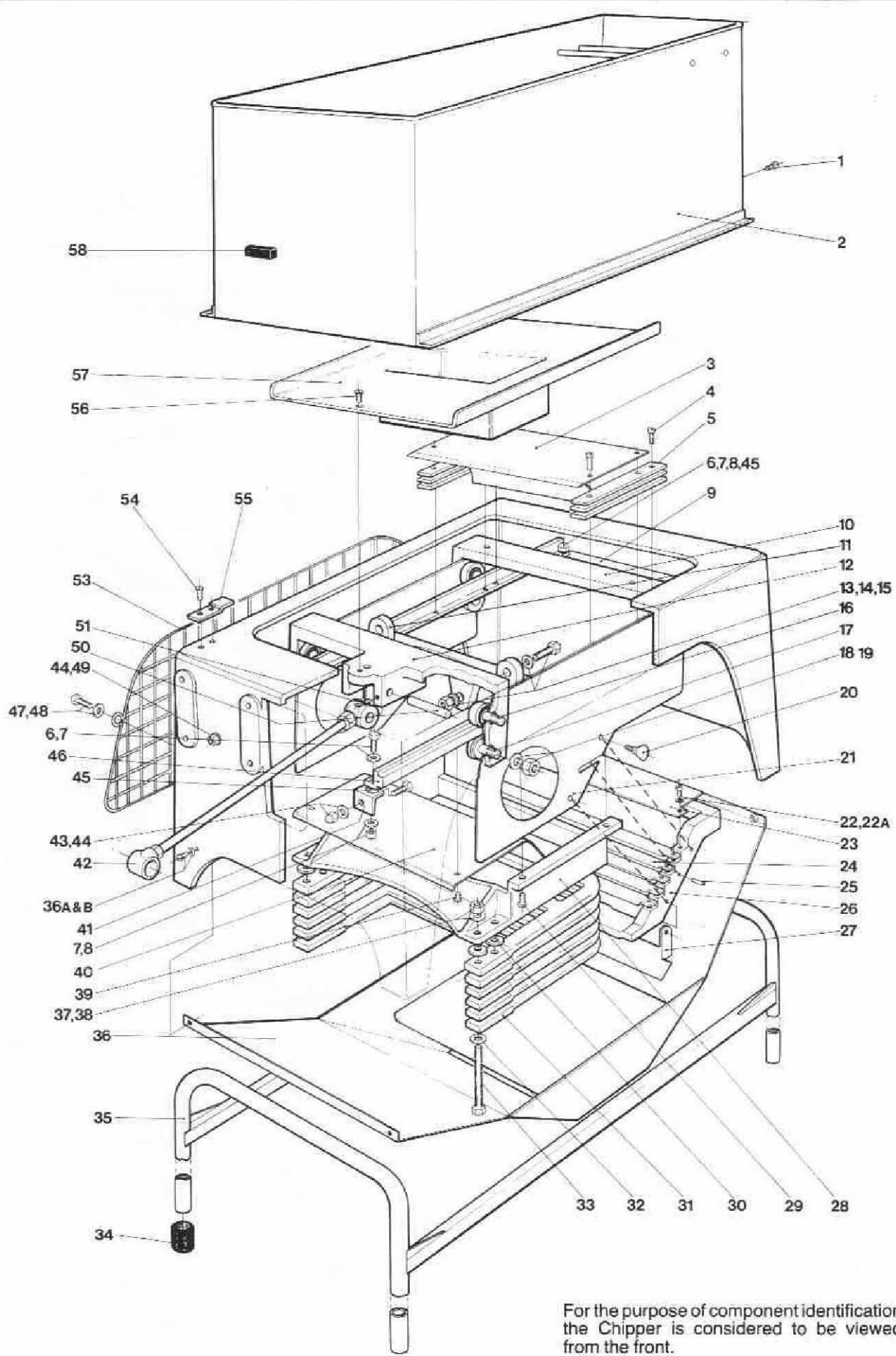
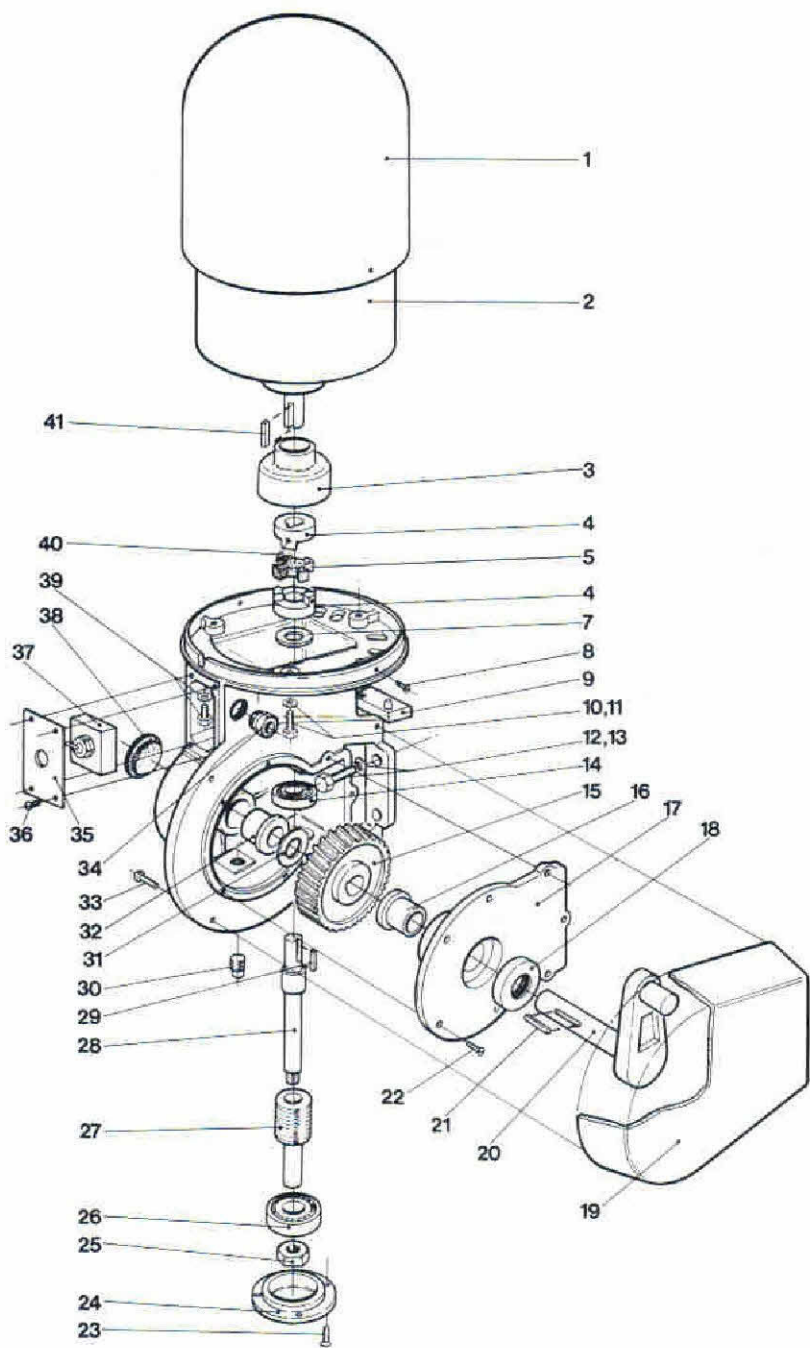


# F1&F2F Chipper Spare Parts



For the purpose of component identification the Chipper is considered to be viewed from the front.

# F2F Drive Unit



MAG. SWITCH  
RETRO-KIT SK40.

Item	Part No.	Description	Qty
1	Q 18220	Motor Cover	1
2	Q 18230	Motor 200/240v - 50 HZ - 1ph 1 or	1
	Q 18139	Motor 200/250v - 60 HZ - 1ph 1 or	1
	Q 18139	Motor 100/125v - 60 HZ - 1ph 1 or	1
	Q 18137	Motor 200/254v - 50/60 HZ - 3ph	1
	Q 18137	Motor 346/440v - 50/60 HZ - 3ph	1
3	Q 18239	Neoprene Cowl	1
4	Q 18221	Half Coupling	2
5	Q 18221A	Coupling Spider	1
6	-	-	-
7	Q 15414	Washer	1
8	Q 12296A	Screw, RD HD 1/4 Whit x 1/2 LG	2
9	51100/01	Reed Switch (1 Phase Machines Only)	1
10	Q 18242A	Screw, HX HD M6 x 30 LG and 4106-040-ZD Screw, HX HD M6 x 40 LG	2
11	8601 B	1/4 Washer	3
12	Q 12070A	Screw, HX HD 5/16 BSF x 7/8 LG	4
13	Q 191	5/16 Grover Washer	4
14	Q 17940	Upper Bearing	1
15	Q 18217	Spiral Wheel	1
16	Q 18223	Flanged Bush	1
17	Q 18215	Gearbox Coverplate	1
18	Q 759	Seal	1
19	Q 18213	Crank Cover	1
20	<del>Q 12080</del>	Crank Assembly <b>Q13080</b>	1
21	Q 250A	Key 3/16 x 5/32 x 7/8	1
22	Q 172B	Screw, CSK HD 2BA x 1/2 LG	7
23	Q 172B	Screw, CSK HD 2BA x 1/2 LG	4
24	Q 18214	Bearing Cap	1
25	3076 ZA	Pinion Shaft Nut	1
26	Q 301	Lower Bearing	1
27	Q 18216	Pinion	1
28	Q 18218	Pinion Shaft	1
29	Q 18227	Key, 3/16 x 3/16 x 11/16	1
30	Q 402A	Drain Plug	1
31	Q 18228	Thrust Washer	1
32	Q 18224	Bearing Bush	1
33	Q 8189A	Screw, RD HD 2BA x 1/2 LG	1
34	Q 622A	Cable Clamp	1
35	Q 18219A	Switch Plate	1
36	Q 8185A	Screw, RD HD 2BA x 3/8 LG	4
37	50454/03	Switch (Single Phase Supplies) 1 or Q 17892 Switch (Three Phase Supplies) 1	1
38	Q 18222	Sealing Cap	1
39	Q 12731	Earthing Post Comprising: Screw, HX HD 2BA x 1/2 LG 1 8640 3/16 Washer 1	1
40	4006-006-YA	Grubscrew, M6 x 6 LG	2
41	Q 573B	Key 3/16 x 3/16 x 1.1/4 LG	1

Items not illustrated:  
Q 18241 Thermal Overload 200/250v  
- 50 HZ - 1ph 1  
(Fitted Inside Motor)

## F Range Chipping Unit (All Models)

Item	Part No.	Description	Qty
1	Q 12296A	Screw, RD HD 1/4 Whit x 1/2 LG	1
2	Q 13017A	Hopper	1
3	Q 13019	Slicing Knife - Straight Edge	1
		or	
	Q 13020	Slicing Knife - Ripple Edge	1
4	Q 12294	Screw, CH HD 2BA x 1/2 LG	6
5	Q 13044	Adjusting Strip (F1 & F2F Models)	6
		or	
		Adjusting Strip (F15 & F2F5 Models)	8
6	Q9B	Screw, HX HD 5/16 BSF x 1.1/4 LG	4
7	8602C	5/16 Washer	8
8	Q94B	5/16 BSF Nut	4
9	Q 13025	Long Runner Support	1
10	Q 13013	Crossbar - Non Drive End	1
11	Q 13015	Pushbar	1
12	Q 13012	Crossbar - Drive End	1
13	Q4A	Screw, HX HD 1/4 BSF x 1.1/4 LG	2
14	8601B	Washer	4
15	Q93F	1/4 BSF Nut	2
16		Upper Roller Assy Comprising:	4
	Q 18203	Upper Roller	1
	Q 13035	Pin	1
	Q 18204	Shim	1
17		Lower Roller Assy Comprising:	4
	Q 13034	Lower Roller	1
	Q 13035	Pin	1
	Q 8602C	5/16 Washer	1
18	Q94B	5/16 BSF Nut	8
19	Q 191	5/16 Grover Washer	8
20	Q 13038A	1/4 Whit Thumbscrew, 1/2 LG	4
21	Q 13022	Side Plate (Front)	1
		and	
	Q 13023	Side Plate (Rear)	1
22	Q 12293	Screw, CH HD 2BA x 3/8 LG	12
22A	8635	3/16 Grover Washer	12
23	Q 13089	Top Knife	1
24A	Q 13087	Chipping Knife - Straight Edge	5
		F1 & F2F Models	4
		F15 & F2F5 Models	4
		or	
24B	Q 13088	Chipping Knife - Ripple Edge	5
		F1 & F2F Models	4
		F15 & F2F5 Models	4
25	Q 12393	Knife Support Location Stud	2
26A	Q 13122	Knife Support Block	1
		(F1 & F2F Models)	
		or	
26B	Q 13119	Knife Support Block	1
		(F15 & F2F5 Models)	
27	Q 18244	Pusher	1
28	Q 13105	Cage Carrier	1
29	8281A	Screw, CH HD 1/4 BSF x 1/2 LG	4
30A	<del>Q 13057A</del> Q 13075A	Cage Spacer (F1 & F2F Models)	4
		or	
30B	Q 13120A	Cage Spacer (F15 & F2F5 Models)	4
31A	Q 13117	Cage Plate (F1 & F2F Models)	6
		or	
31B	Q 13118A	Cage Plate (F15 & F2F5 Models)	5
32	8602C	5/16 Washer	4
33	12086	Screw HX HD 5/16 BSF x 4.1/2 LG	4
34	Q 13129A	Foot	4
		or	
	Q 16517	Fixed Castor	2
	Q 16518	Swivel Castor	2
35	Q 13129	Stand	1
		and	

Item	Part No.	Description	Qty
	Q 13024	Leg Extension (F1 Range Only)	4
36	Q 18243	Discharge Guard	1
36A	4106-016-WA	Screw HX HD M6 x 16 LG	4
36B	8601B	1/4 Washer	4
37	Q94B	5/16 BSF Nut	4
38	8402C	5/16 Washer	4
39	Q 12293	Screw, CH HD 2BA x 3/8 LG	2
40	Q 13021	Slice Chute Plate	1
41	Q 13026	Short Runner Support (Rear)	1
		and	
	Q 13027	Short Runner Support (Front)	1
42	Q 13052	F1 Con Rod Assy Comprising:	1
	Q 18235	Big End	1
	Q 18236	Small End	1
	Q 13029A	F1 Stem	1
	Q 80E	3/8 BSF Locknut	2
42A	Q 18211	F2F Con Rod Assy Comprising:	1
	Q 18235	Big End	1
	Q 18236	Small End	1
	Q 18237A	F2F Stem	1
	Q 80E	3/8 BSF Locknut	2
43	Q 472A	5/16 BSF Dome Nut (F1 Range)	4
		or	
	Q 472A	5/16 BSF Dome Nut (F2 Range)	3
44	8602C	5/16 Washer	4
45	Q 13037A	Spacer	3
46	Q 13090	Runner (Front)	1
		and	
	Q 13091	Runner (Rear)	1
47	1032-12-WA	Screw, HX HD 1/4 Whit x 3/4 LG	4
48	8601B	1/4 Washer	4
49	Q94B	5/16 BSF Nut (F2 Range Only)	1
50	<del>Q 1204</del>	Pin for Con Rod <b>Q 12024</b>	1
51	Q 17782	2BA Grubscrew x 1/4 LG	1
52	-	-	-
53	Q 13039	Mesh Guard	2
54	8228A	Screw, CSK HD 2BA x 3/8 LG	4
55	Q 13069A	Hopper Retaining Clip	2
56	Q 12012A	Screw, CSK HD 1/4 BSF x 5/8 LG	4
57	Q 13011	Feed Plate	1
58	51100/02	Hopper Switch Actuator	1
		(F2 Range Only)	
		secured by:	
	50291/07	1/8 Aluminium Rivet x 5/8 LG	2
59	Q 13028	Cleaning Brush (Not Illustrated)	1
Alternative Parts for 3/8" Thick Chipped Potatoes (All Models)			
5	Q 13044	Adjusting Strip	2
11	Q 13015A	Pushbar	1
The following items are available as factory assembled units ready to fit to the appliance.			
	Q 13130	F1/F2F Knife Support Assy	1
		(Straight Chips)	
		(Comprising items 22, 22A, 23, 24A & 26A)	
	Q 13130A	F1/F2F Knife Support Assy	1
		(Ripple Chips)	
		(Comprising items 22, 22A, 23, 24B & 26A)	
	Q 13137	F15/F2F5 Knife Support Assy	1
		(Straight Chips)	
		(Comprising items 22, 22A, 23, 24A & 26B)	
	Q 13137A	F15/F2F5 Knife Support Assy	1
		(Ripple Chips)	
		(Comprising items 22, 22A, 23, 24B & 26B)	
	Q 13138	F1/F2F Cage Plate & Carrier Assy	1
		(Comprising items 28, 30A, 31A, 32, 33, 37 & 38)	
	Q 13134	F15/F2F5 Cage Plate & Carrier Assy	1
		(Comprising items 28, 30B, 31B, 32, 33, 37 & 38)	