

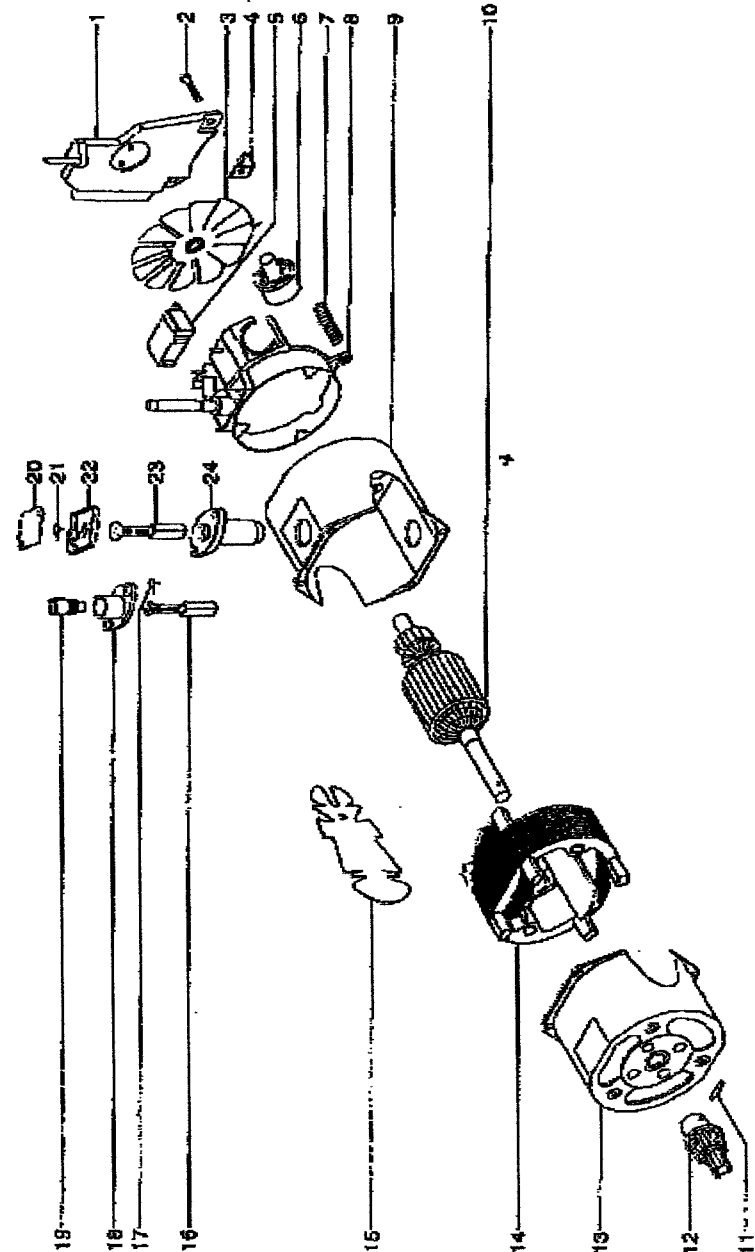
# KM250 MOTOR

Service Information Issue 9

ITEM	PART NUMBER	DESCRIPTION
*	615606	MOTOR/CONTROLLER 220/240V WITH CUTOUT - MOULDED HOUSING & CONTROL KNOB 619772
*	609753	MOTOR/CONTROLLER 120V WITH CONTROL KNOB 491704
*	357207	BRUSH CONNECTOR
1	435036	CONTROL BAR ASSY 240V
	457497	CONTROL BAR ASSY 120V
2	353639	SCREW PAN HEAD STD M4 X 20
3	428604	FAN & MAGNET ASSY
4	343567	LOCKING CLIP
5	802547	MICROSWITCH
6	404185	CUT OUT
7	177712	CONTACT ADJUSTING SPRING FOR CONTROLLER HOUSING AND KNOB
8		DETAILS SEE FOLLOWING PAGE
9	601177	COM END FRAME ASSY
10	553978	DRILLED ARMATURE ASSY 220/240V
	502652	DRILLED ARMATURE ASSY 120V
11	462466	TENSION PIN
12	353017	SMALL PULLEY
13	601153	DRIVE END FRAME ASSY
14	805965	FIELD ASSY 240V
	609947	FIELD ASSY 120V
15	426597	SIDE CHEEK
16	618683	BRUSH CAP
17	618651	BRUSH RETAINER
18	338421	CAPACITOR
19	607470	BRUSH ASSY 100V KM230
20	353263	CAPACITOR COVER
21	338421	CAPACITOR
22	353251	BRUSH BOX COVER
23	602834	BRUSH ASSY 220/240V
	457461	BRUSH ASSY 120V
24	353249	BRUSH BOX 220/240V
	609765	BRUSH BOX 120V

## KM250 MOTOR

Service Information Issue 9

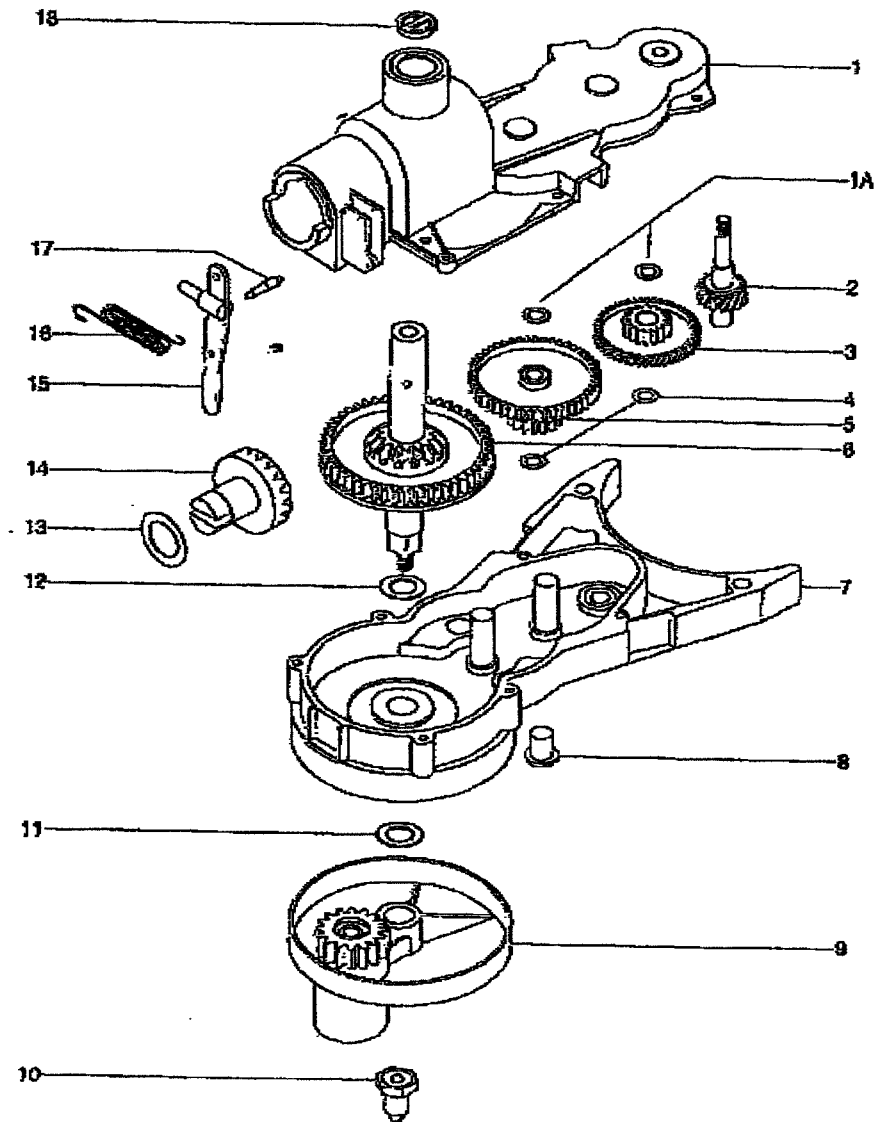


KENWOOD Limited

**KM230/KM250**  
Service Information Issue 9

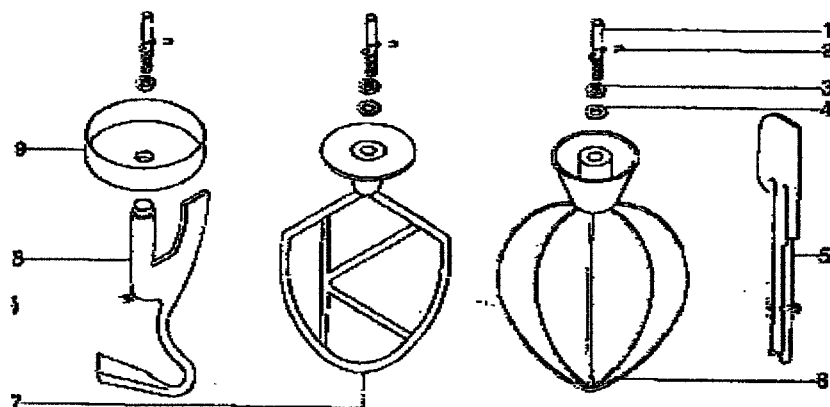
ITEM	PART NUMBER	DESCRIPTION
*	608474	GREASE CASTROL EPL1 400 GRAM
*	605836	GEARBOX SEALING COMPOUND
* <i>kw</i>	437899	GEARBOX ASSY KM230/KM250
1	482428	GEARBOX COVER ASSY
1A	204553	SHIM WASHER
2	353213	DRIVE PINION ASSY
	614238	DRIVE PINION ASSY - NEW PULLEY
9	363184	INTERMEDIATE GEAR ASSY
4	844088	SPRING WASHER
5	177449	PENULTIMATE GEAR
6	185331	VERTICAL DRIVE ASSY
7	434835	GEARBOX BODY ASSY
8	566640	PLUG - SEALING
9	609777	PLANET HUB ASSY
10	479122	PLANET HUB NUT
11	824245	OIL SEAL
12	844090	SHIM WASHER
13	802224	SHIM WASHER
14	353172	OUTPUT SHAFT ASSY
15	407028	LEVER ASSY - SS OUTLET
16	353146	SPRING - SS LEVER
17	986349	PIVOT - SS LEVER
18	494562	PLUG - TOP JUICE EXTRACTOR OUTLET

**KM230/KM250**  
Service Information Issue 9



# KM230-KM250

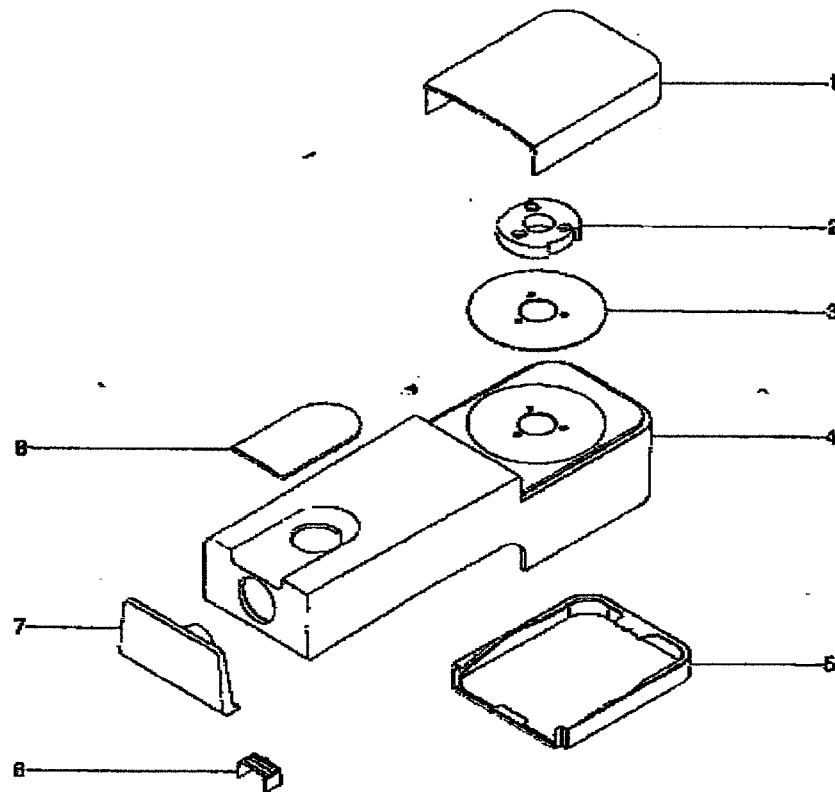
Service Information Issue 9



ITEM	PART NUMBER	DESCRIPTION
1	434744	BEATER SHAFT ASSY - INC ITEM 2
2	437304	CIRCLIP
3	434823	LOCKNUT
4	204357	WASHER
5	375848	SPATULA
6	434809	WHISK ASSY - INC ITEMS 1, 2, 3 & 4
7	434758	KONTOUR 'K' BEATER INC ITEMS 1, 2, 3 & 4
8	611213	DOUGH HOOK ASSY WINGED - INC ITEMS 1, 2, 3 & 9
	615477	DOUGH HOOK ASSY WINGLESS - INC ITEMS 1, 2, 3 & 9
9	434794	SHIELD

# KM250

Service Information Issue 9



ITEM	PART NUMBER	DESCRIPTION
*	853574	TERMINAL COVER (BLACK)
1	353744	LIQUIDISER COVER
2	619851	SPIGOT (BLACK)
3	353770	SPIGOT SEAT PLATE
4	616866	TOP COVER (SILVER)
5	353756	BODY UPPER TRIM (BLACK)
6	401864	TOP COVER SUPPORT
7	607559	SS CUTLET COVER - KENWOOD MAJOR
	607561	SS CUTLET COVER - CRYPTO PEERLESS
8	362548	JUICE EXTRACTOR COVER

K 602548  
432

1.181

# KM250

Service Information Issue 9

ITEM	PART NUMBER	DESCRIPTION
*	604430	INSTRUCTION LEAFLET
1	353718	WASHER SMALL PULLEY
2	353017	SMALL PULLEY
3	462488	TENSION PIN
4	353811	BUSH MOTOR ADJUSTING
5	601256	BODY OLD TYPE (SILVER) - FOR USE WITH CONTROL KNOB TYPES 491704 & 606048
	615465	BODY NEW TYPE (SILVER) - FOR USE WITH CONTROL KNOB 619772
6	363720	COUNTER BALANCE SPRING
7	353823	MOTOR MOUNTING RING
8	609868	BODY COVER ASSY
9	353574	TERMINAL COVER
10	353847	QUADRANT.
11	198508	CIRCLIP.
12	357271	CORD CLAMP ASSY
13	353691	HINGE PIN
14	668870	CATCH PIN ASSY (BLACK)
15	177554	CATCH SPRING
16	186493	CIRCLIP
17	619760	CATCH PIN KNOB (BLACK)
18	613704 x6	FOOT
19	618687	PEDESTAL NO PLINTH TYPE - PLAIN
	614306	PEDESTAL NO PLINTH TYPE - PRINTED
20	456912	*KENWOOD ELECTRONIC*
21	353835	BOWL MOUNTING PAD
22	614057	QUADRANT BRACKET
23	353732	KNOB SS ATTACHMENT
24	353598	GBOX CVR LWR (BLACK)
25	437859	FELT GBOX CVR LWR
26	953586	GEARBOX ASSY PKD KM230/4363
27	616598	GEARBOX DOWEL TUBE
	353186	LARGE PULLEY - NEW TYPE*
	238449	LARGE PULLEY - OLD TYPE*
28		NUT M8
29	197844	TIMING BELT

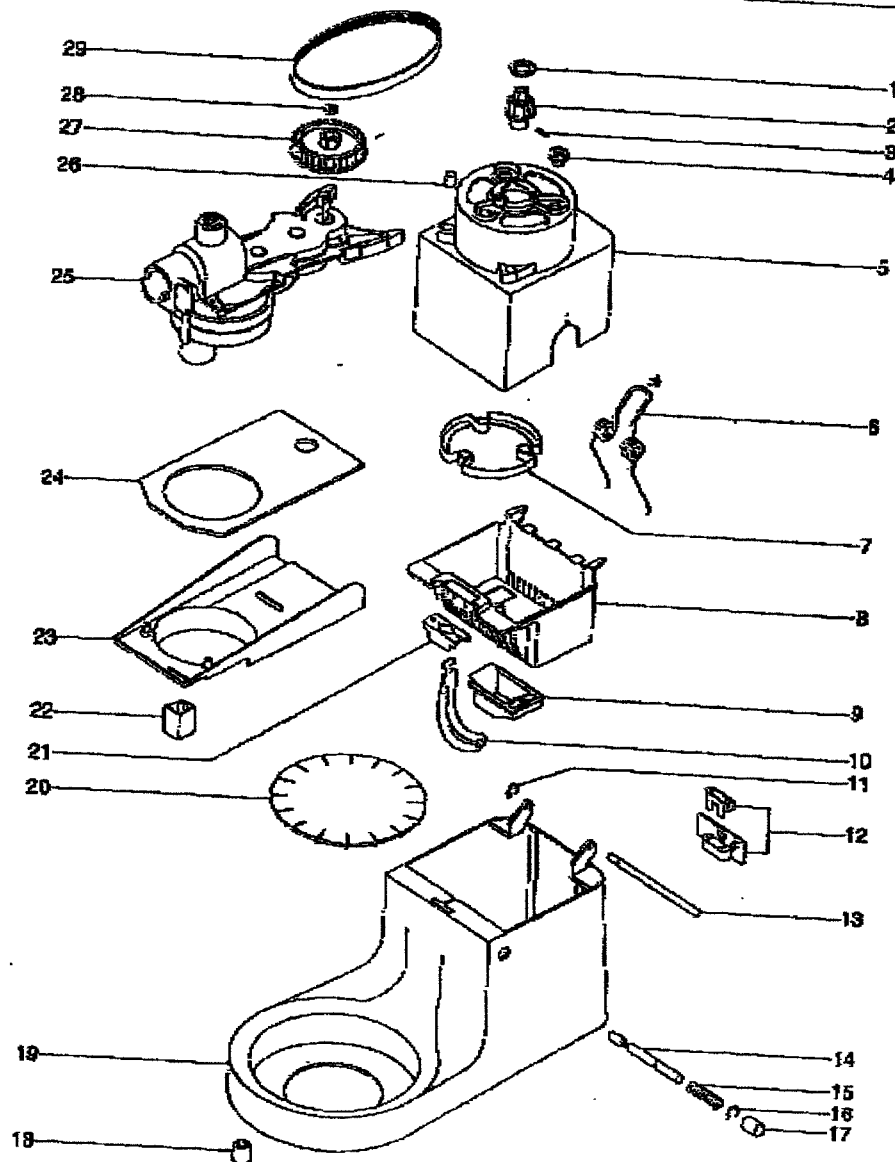
THESE PULLEYS ARE NOT INTERCHANGEABLE. THE OLD TYPE OF PULLEY HAS AN M5 THREAD AND THE NEW TYPE IS SECURED WITH AN M8 NUT. TO USE THE NEW TYPE PULLEY ON AN OLD GEARBOX THE DRIVE PINION MUST BE CHANGED TO 614236.

**KENWOOD** Limited

1.180

# KM250

Service Information Issue 9



1.179

**KENWOOD** Limited

# KM250

Service Information Issue 9

ITEM	PART NUMBER	DESCRIPTION
1	614198	CONTROL KNOB INSERT - RIVAL
2	491704	CONTROL KNOB PRINTED - RIVAL
3	609973	CONTROL KNOB INSERT (BLACK)
4	198584	CIRCLIP
5	606048	CONTROL KNOB (BLACK)
6	177724	CAM FRICTION SPRING
7	491728	SPEED CONTROL CAM
8	457459	ROCKER SWITCH 120V
	352984	ROCKER SWITCH 220/240V
9	363079	CONTROLLER HOUSING - DIECAST FOR ROCKER SWITCH
10	616897	CONTROLLER HOUSING - MOULDED
11	802547	MICROSWITCH
12	802535	MICROSWITCH RETAINER
13	802561	TORSION SPRING
14	816407	SPEED CAM NO PULSE - MOULDED HSG
15	177530	SPRING
16	619772	CONTROL KNOB BLACK - NO PULSE
17	198584	CIRCLIP
18	809973	CONTROL KNOB INSERT (BLACK)

# KM250

Service Information Issue 9

