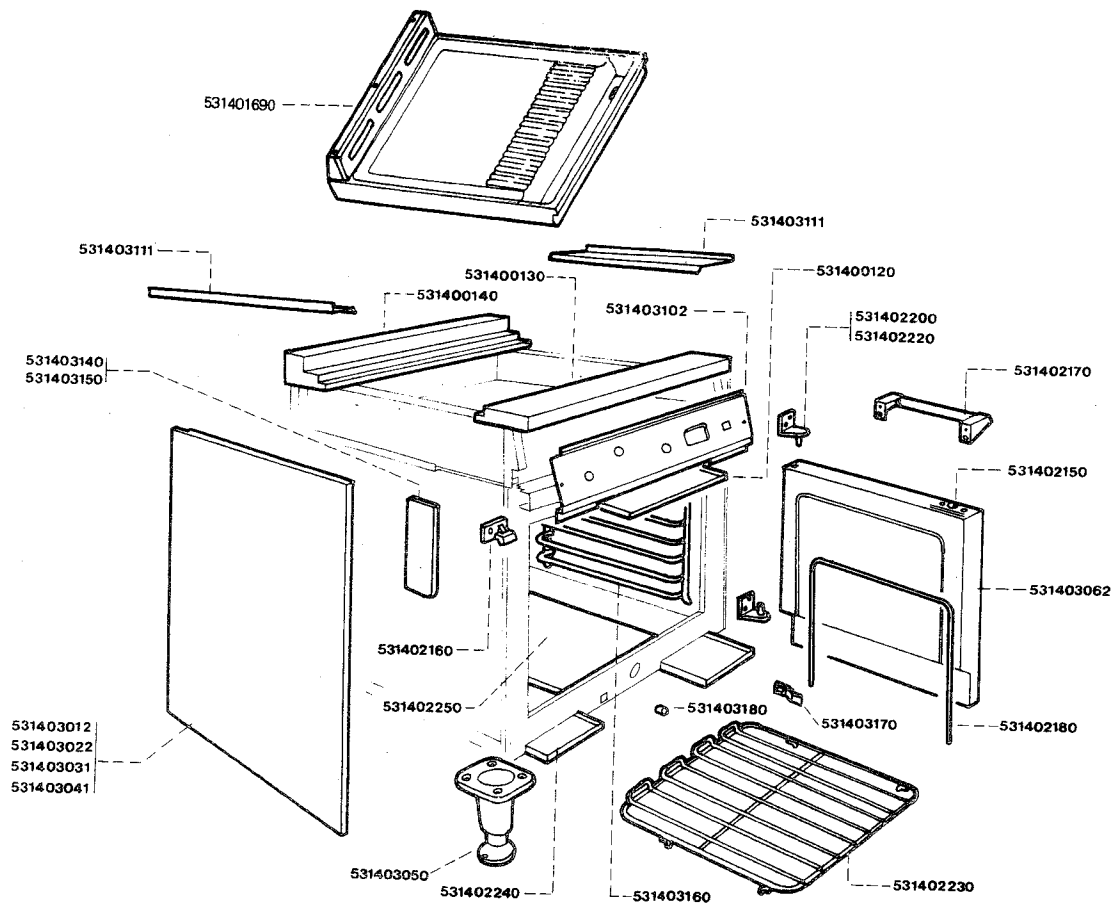


Code	No.	Description
6E	531400130	Front Hob Rail
11E	531400140	Rear Hob Rail
8B	531402150	Door Catch
6B	531402160	Door Catch Keeper
2B	531402170	Door Handle c/w Gaskets
11C	531402180	Door Seal
5C	531402200	Hinge—Top Right Hand
5C	531402220	Hinge—Bottom Right Hand
3E	531402230	Oven Grid Shelf
3E	531402240	Oven Drip Tray
10E	531402250	Oven Bottom Plate
5G	531403012	Outer Side Panel—Left Hand; S/S
5G	531403022	Outer Side Panel—Right Hand; S/S
1F	531403031	Outer Side Panel—Left Hand; Black
1F	531403041	Outer Side Panel—Right Hand; Black
6B	531403050	Leg c/w Adjustable Foot
8L	531403062	Door Assembly

Code	No.	Description
2D	531403082	Control Panel
10C	531403111	Side Drip Shed
1D	531403140	Cheek—Left Hand
1D	531403150	Cheek—Right Hand
11C	531403160	Oven Shelf Hanger
1A	531403170	Oven Hanger Bracket
4A	531403180	Protection Pin
3H	531403250	Worktop

Sheet Reference Number

G1160/1082/005

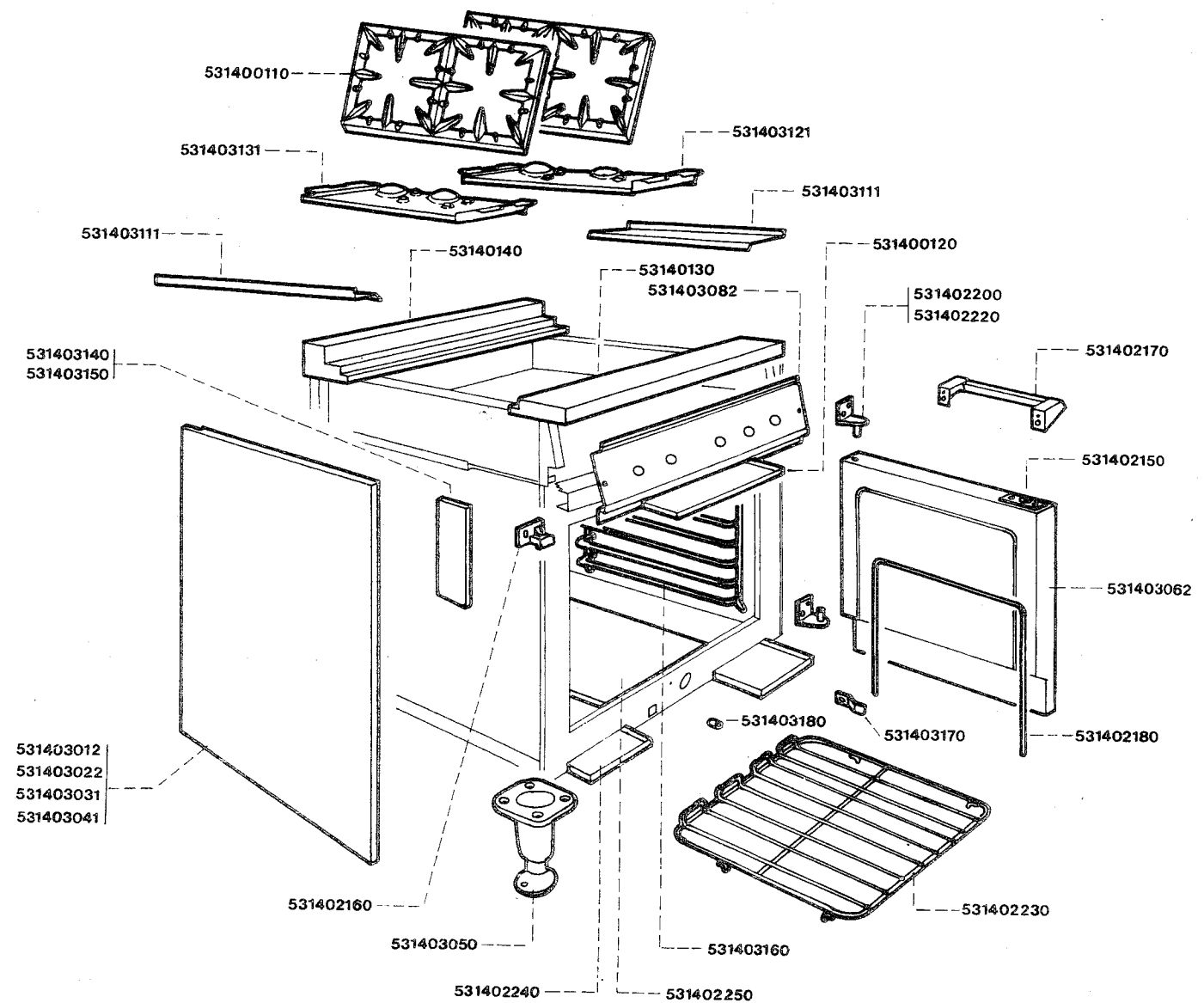


Code	No.	Description
1F	531400120	Top Drip Tray
6E	531400130	Front Hob Rail
11F	531400140	Rear Hob Rail
6L	531401690	Fryplate
8B	531402150	Door Catch
6B	531402160	Door Catch Keeper
2B	531402170	Door Handle c/w Gaskets
11C	531402180	Door Seal
5C	531402200	Hinge— Top Right Hand
5C	531402220	Hinge— Bottom Right Hand
3E	531402230	Oven Grid Shelf
3E	531402240	Oven Drip Tray
10E	531402250	Oven Bottom Plate
5G	531403012	Outer Side Panel— Left Hand; S/S
5G	531403022	Outer Side Panel— Right Hand; S/S
1F	531403031	Outer Side Panel— Left Hand; Black
1F	531403041	Outer Side Panel— Right Hand; Black

Code	No.	Description
6B	531403050	Leg c/w Adjustable Foot
8L	531403062	Door Assembly
2D	531403102	Control Panel
10C	531403111	Side Drip Shed
1D	531403140	Cheek— Left Hand
1D	531403150	Cheek— Right Hand
11C	531403160	Oven Shelf Hanger
1A	531403170	Oven Hanger Bracket
4A	531403180	Protection Pin

Sheet Reference Number

G1160/1082/003

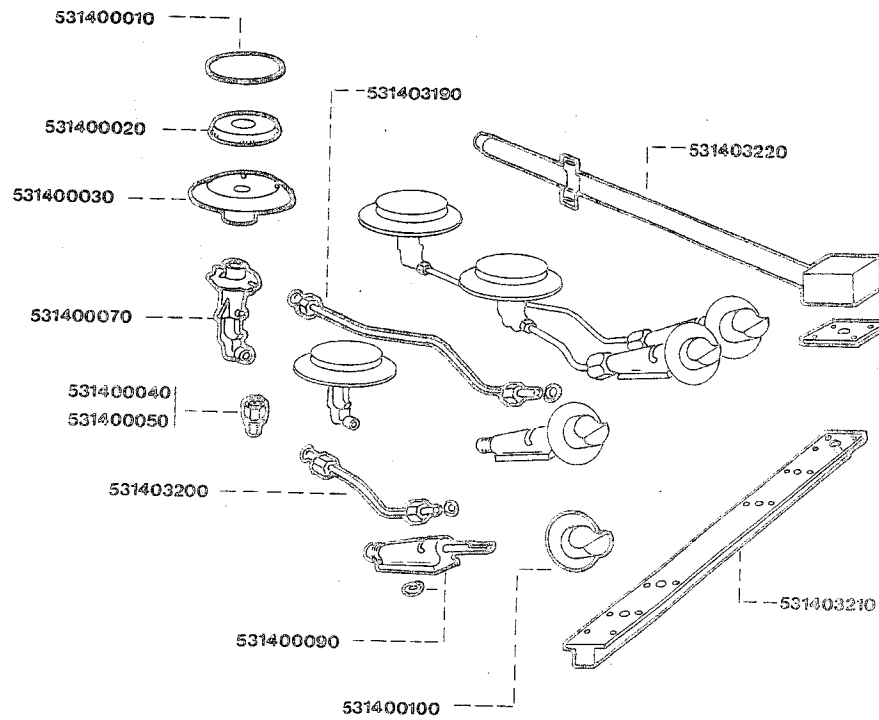


Code	No.	Description
8F	531400110	Pan Support
1F	531400120	Top Drip Tray
6E	531400130	Front Hob Rail
11E	531400140	Rear Hob Rail
8B	531402150	Door Catch
6B	531402160	Door Catch Keeper
2B	531402170	Door Handle c/w Gaskets
11C	531402180	Door Seal Set
5C	531402200	Hinge—Top Right Hand
5C	531402220	Hinge—Bottom Right Hand
3E	531402230	Oven Grid Shelf
3E	531402240	Oven Drip Tray
10E	531402250	Oven Bottom Plate
5G	531403012	Outer Side—Left Hand; S/S
5G	531403022	Outer Side—Right Hand; S/S

Code	No.	Description
1F	531403031	Outer Side—Left Hand; Black
1F	531403041	Outer Side—Right Hand; Black
6B	531403050	Leg c/w Adjustable Foot
8L	531403062	Door Assembly
2D	531403082	Control Panel
9D	531403111	Side Drip Shed
9D	531403121	Spillage Deflector—Right Hand
9D	531403131	Spillage Deflector—Left Hand
1D	531403140	Cheek—Left Hand
1D	531403150	Cheek—Right Hand
11C	531403160	Oven Shelf Hanger
1A	531403170	Oven Hanger Bracket
4A	531403180	Protection Pin

Sheet Reference Number

G1160/1082/001

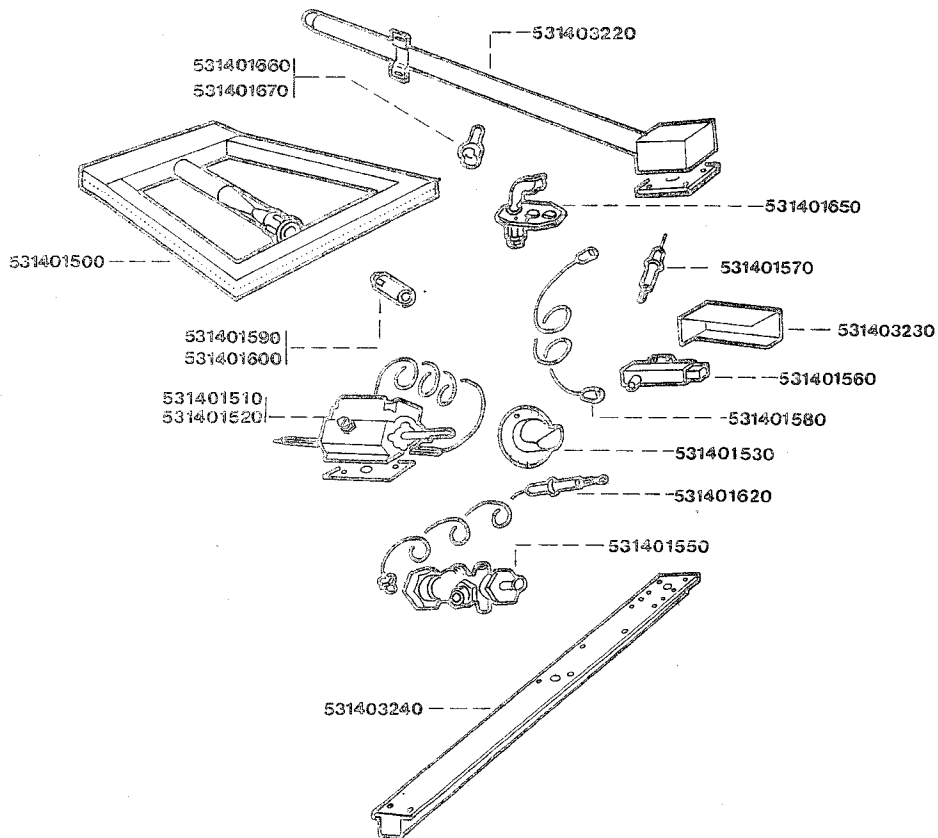


Code	No.	Description
5C	531400010	Burner Cap
10C	531400020	Burner Ring
6C	531400030	Burner Support
1B	531400040	Injector - Nat. Gas
1B	531400050	Injector - L.P. Gas
2C	531400070	Burner Venturi
6C	531400090	Gas Cock c/w Gasket
6B	531400100	Gas Cock Knob
10C	531403190	Rear Burner Pipe c/w Nut
9C	531403200	Front Burner Pipe c/w Nut
1E	531403210	Float Rail
11D	531403220	Inlet Pipe Assembly c/w Gasket

A S Catering Supplies
 24 Pear Tree Close
 Bransgore
 Christchurch
 Dorset
 BH23 8NH
 01425 673066

Sheet Reference Number

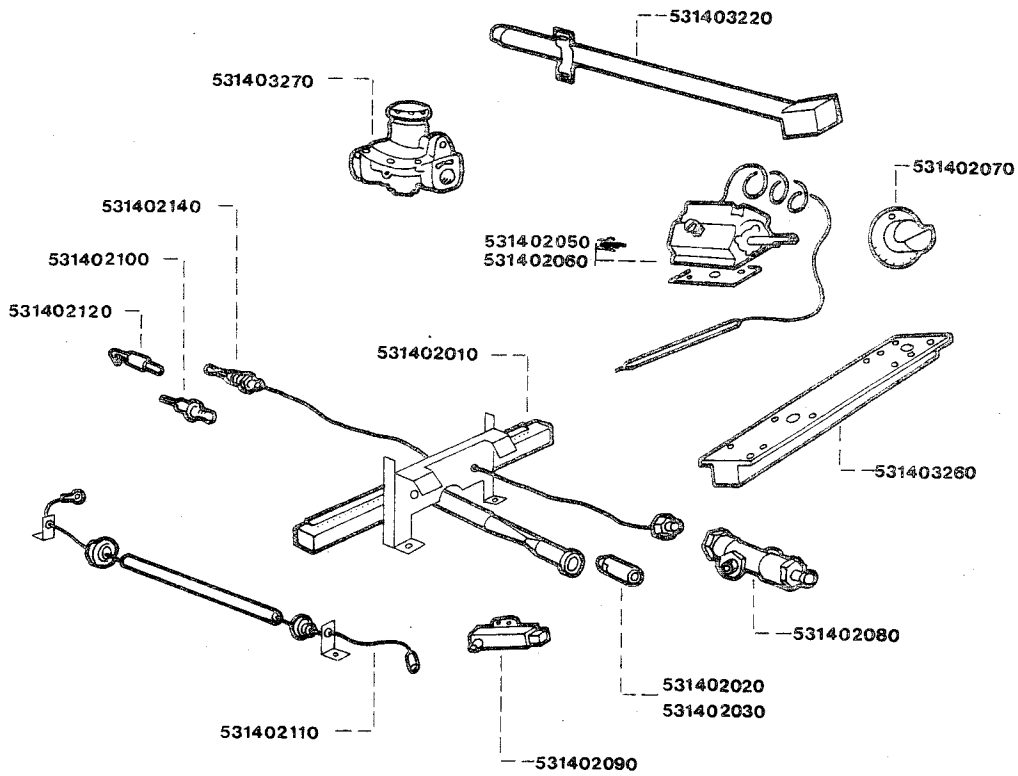
G1160/1082/002



Code	No.	Description	Code	No.	Description
12H	531401500	Fryplate Burner	2D	531401620	Thermocouple
12G	531401510	Thermostat c/w Gasket—Nat. Gas	12E	531401650	Pilot Burner
12G	531401520	Thermostat c/w Gasket—LP Gas	1B	531401660	Pilot Burner Injector—Nat. Gas
6B	531401530	Thermostat Knob	1B	531401670	Pilot Burner Injector—L.P. Gas
8F	531401550	Flame Failure Valve	11D	531403220	Inlet Pipe Assembly c/w Gasket
9D	531401560	Igniter	*	531403230	Igniter Heat Shield
10A	531401570	Electrode	*	531403240	Float Rail
3B	531401580	Electrode Lead			
1B	531401590	Fryplate Injector—Nat. Gas			
1B	531401600	Fryplate Injector—L.P. Gas			

Sheet Reference Number

G1160/1082/004



Code	No.	Description
6F	531402010	Oven Burner
1B	531402020	Injector - Nat. Gas
1B	531402030	Injector - L.P. Gas
12G	531402050	Thermostat c/w Gasket - Nat. Gas
12G	531402060	Thermostat c/w Gasket - L.P. Gas
6B	531402070	Thermostat Knob
9F	531402080	Flame Failure Valve
9D	531402090	Igniter
8B	531402100	Electrode
3B	531402110	Electrode Lead
9B	531402120	Earth Pin
5C	531402140	Thermocouple
11D	531403220	Inlet Pipe Assembly c/w Gasket
6D	531403260	Float Rail
2E	531403270	Governor

Sheet Reference Number

G1160/1082/006