

SECTION 3. PARTS INFORMATION

3-1. INTRODUCTION

This section lists the replaceable parts of the Henny Penny OFE/OFG- 32x Open Fryers.

3-2. GENUINE PARTS

Use only genuine Henny Penny parts in your fryer. Using a part of lesser quality or substitute design may result in damage to the unit or personal injury.

3-3. WHEN ORDERING PARTS

Once the parts that you want to order have been found in the parts list, write down the following information:

Item Number	<u>8</u>	
Part Number	<u>31561</u>	Example:
Description	<u>On/Off Switch</u>	

From the data plate, list the following information:

Product Number	<u>01400</u>	
Serial Number	<u>0001</u>	Example:
Voltage	<u>208</u>	

3.4 PRICES

Your distributor has a price parts list and will be glad to inform you of the cost of your parts order.

3.5 DELIVERY

Commonly replaced items are stocked by your distributor and will be sent to you when your order is received. Other parts will be ordered, by your distributor, from Henny Penny Corporation. Normally, these will be sent to your distributor within three working days.

3.6 WARRANTY

All replacement parts (except lamps and fuses) are warranted for 90 days against manufacturing defects and workmanship. If damage occurs during shipping, notify the carrier at once so that a claim may be properly filed. Refer to warranty in the front of this manual for other rights and limitations.

3.7 RECOMMENDED SPARE PARTS FOR DISTRIBUTORS

Recommended replacement parts, stocked by your distributor, are indicated with √ in the parts lists. Please use care when ordering recommended parts, because all voltages and variations are marked. Distributors should order parts based upon common voltages and equipment sold in their territory.

FIGURE & ITEM NO.	PART NO.	DESCRIPTION	QTY. PER UNIT		
			321	322	323
3-1		GAS HEAT			
√ 1	21347	IGNITION MODULE	1	2	3
√ 2	60430RB	I/O BOARD ASSY.	1	2	3
√ 3	14849	KIT – GAS TEMP PROBE	1	2	3
4	60266	TEE STYLE PILOT ASSY. (NAT. GAS ONLY)	1	2	3
4	71981	TEE STYLE PILOT ASSY. (LP GAS ONLY)	1	2	3
√ 5	60292	PILOT FLAME SENSOR (GAS ONLY)	1	2	3
√ 6	54561	SPEAKER ASSY.	1	2	3
√ 7	60207	120V TO 24V TRANSFORMER (GAS ONLY)	1	2	3
8	60614	PILOT ORIFICE (LPG)	1	2	3
8	60613	PILOT ORIFICE (NAT. GAS)	1	2	3
9	69441	TUBE, ¼ X 10 FLEX SS - PILOT	1	2	3
9	69450	TUBE, ¼ X 15 FLEX SS - PILOT	1	2	3
10	69443	TUBE, 3/8 X 18 FLEX SS - BURNER	1	2	3
11	64055-02	BURNER ORIFICE (LPG)	2	4	6
11	64055-06	BURNER ORIFICE (NAT. GAS)	2	4	6
12	70812	TUBE MANIFOLD	1	2	3
13	60513	INSULATION, FRONT	1	-	-
13	60461	INSULATION, FRONT	-	1	-
13	60183	INSULATION, FRONT	-	-	1
14	WA02-001	WASHER	3	6	9
15	60808	BOLT – U - 2-1/4 X 1-1/4	1	2	3
16	70877	BRACKET – GAS LINE – RH	1	2	3
17	70878	BRACKET – GAS LINE – LH	1	2	3
18	NS02-002	NUT – KEPS - ¼-20 C	4	8	12
√ 19	60241	425° HIGH LIMIT ASSY.	1	2	3
20	60032	BURNER – INSHOT	2	4	6
21	60395-02	ASSY– BURNER/PILOT–LP (W/64055-02 ORIFICE)	1	2	3
21	60395-06	ASSY– BURNER/PILOT–NAT (W/64055-06 ORIFICE)	1	2	3

√ recommended parts

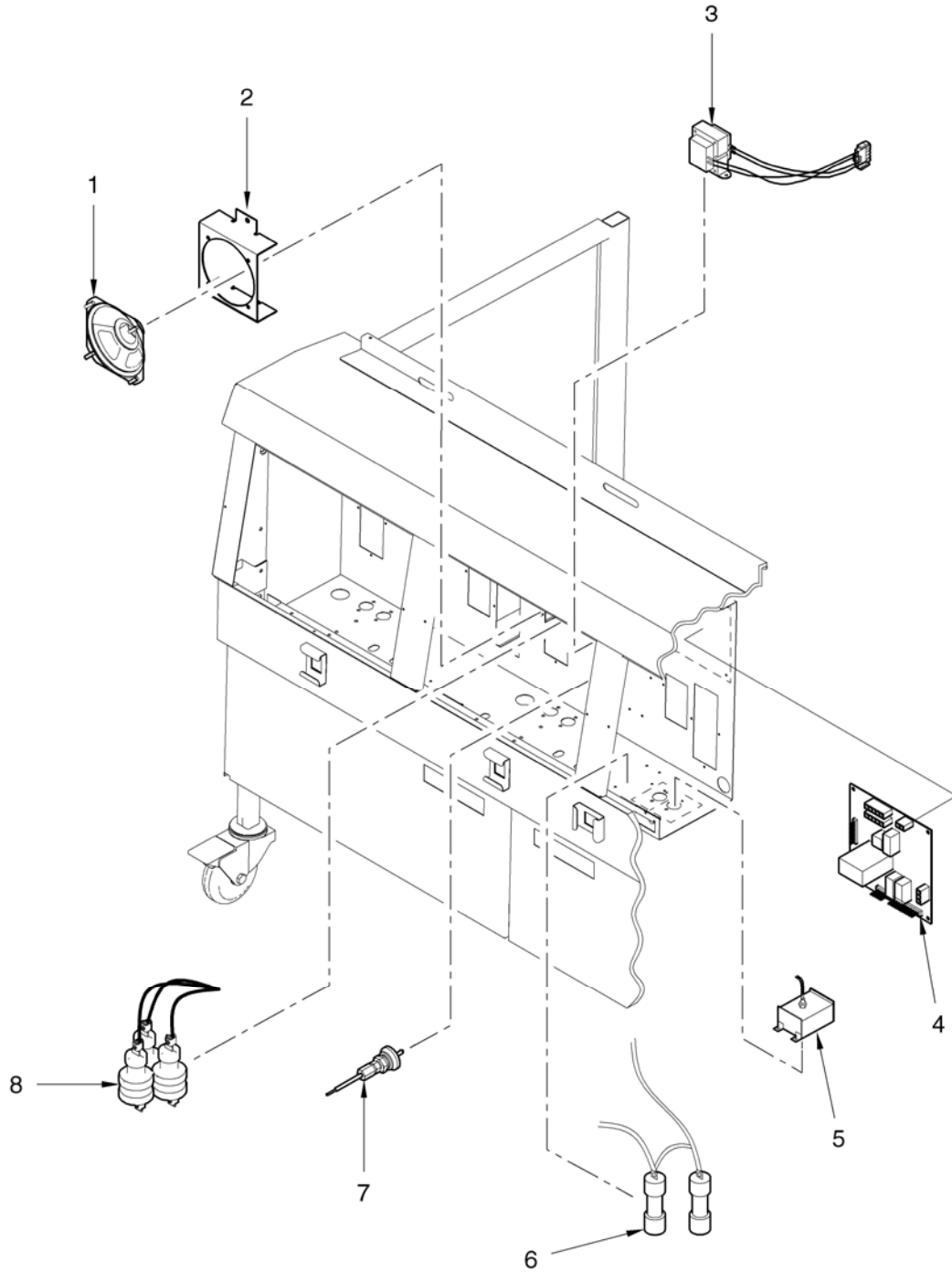


Figure 3-2. Electric Heat Controls

FIGURE & PART NO. ITEM NO.	DESCRIPTION	QTY. PER UNIT		
		321	322	323
3-2	ELECTRIC HEAT CONTROLS			
√ 1	54561 SPEAKER ASSY.	1	2	3
√ 1	26863 SPEAKER ASSY. (CFA ONLY)	1	2	3
2	60781 SPEAKER BRACKET ASSY. (ELEC. ONLY)	1	2	3
2	24916 SPEAKER BRACKET ASSY. (CFA ONLY)	1	2	3
√ 3	60536 24V/230V TRANSFORMER ASSY. (ELEC. & INT'L. GAS)	1	2	3
√ 4	60430RB I/O BOARD ASSY.	1	2	3
√ 4	27286RB I/O BOARD ASSY. (CFA ONLY)	1	2	3
√ 5	60241 425° HIGH LIMIT ASSY.	1	2	3
√ 6	EF02-006 15A 250V FUSE HOLDER (SN: BA0608031 & below)	2	4	6
√ 6	EF02-104 20A 250V FUSE HOLDER-CE (SN: BA0605007 to Sept. 17, 2007) (CE UNITS BUILT SEPT. 17, 2007 & AFTER USE EF02-125)	2	4	6
√ 6	EF02-007 15 AMP FUSE (SN: BA0608031 & below)	2	4	6
√ 6	EF02-105 15 AMP FUSE-CE (SN: BA0605007 to Sept. 17, 2007) (CE UNITS BUILT SEPT. 17, 2007 & AFTER USE EF02-125)	2	4	6
√ 6	EF02-125 BREAKER-PUSH BUTTON RESET (SN: BA0608032& after)	2	4	6
√ 7	14776 KIT – ELECTRIC TEMP PROBE	1	2	3
√ 8	29510 24V MERCURY CONTACTOR (ELEC. ONLY)	2	4	6
√ 8	65073 24V ELECTRO-MECH. CONTACTOR (CE) (USE 29510 BEFORE JAN. 1, 2003 & 65073 AFTER)	2	4	6
√ 9*	60810 I/O BOARD TO CONTROL CABLE - 4 PIN	1	2	3
√ 10*	60838 TRANSFORMER -480V TO 240V	1	2	3
√ 11*	60847 TRANSFORMER MOUNTING BRACKET	1	2	3
√ 12*	19923 TRANSFORMER-LARGE--480V-240V (480V FRYERS)	1	2	3
13	60722 BLOCK – 60 AMP FUSE (22 KW FRYERS ONLY)	1	2	3
√ 14	EF02-122 FUSE – 45 AMP (22 KW FRYERS ONLY)	3	6	9
√ 15	24347 ASSEMBLY – CURRENT SENSE XFORMERS	1	2	3

√ recommended parts

*not shown

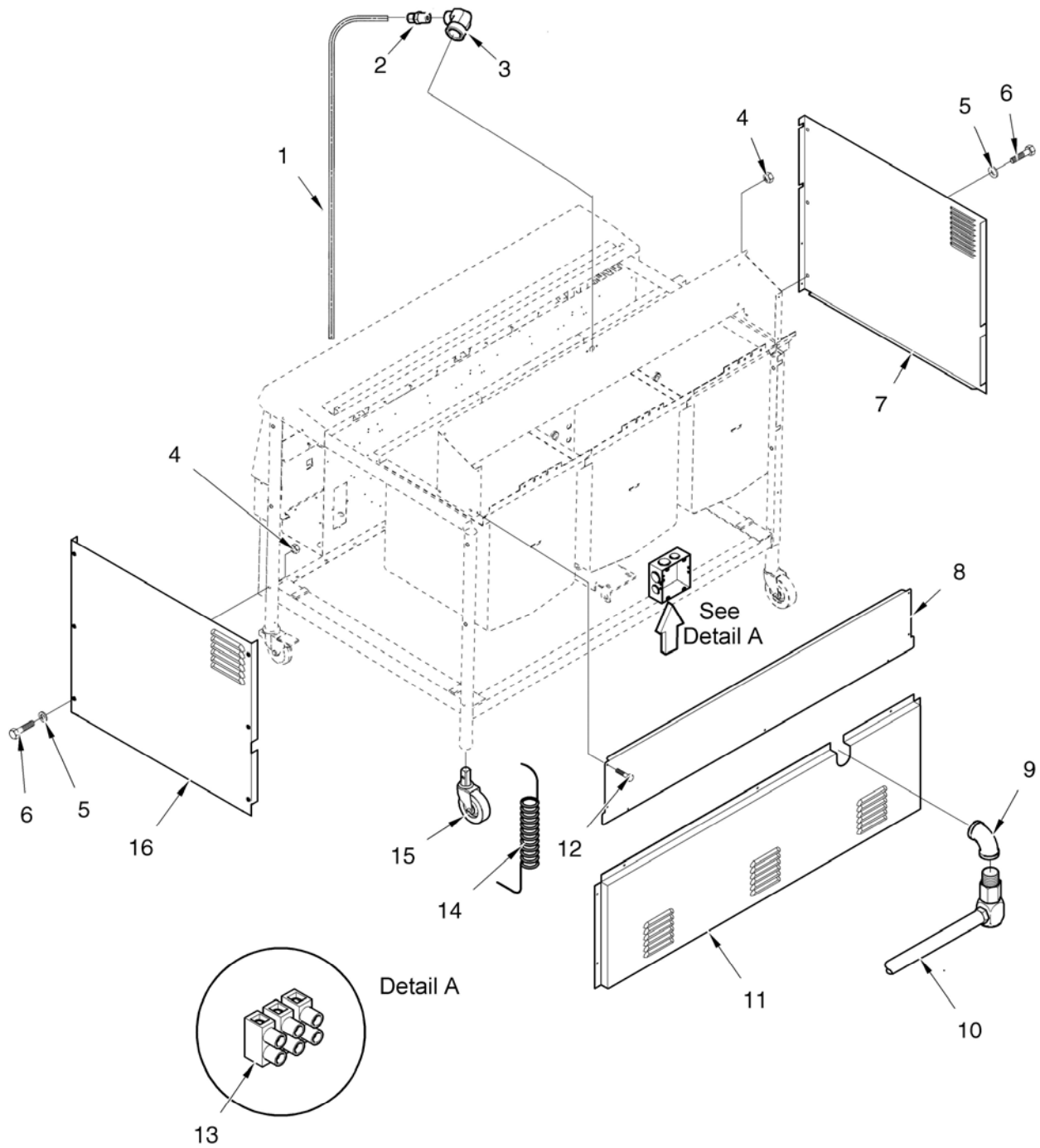


Figure 3-3. Side, Top, & Rear Panels

FIGURE & PART NO. ITEM NO.	DESCRIPTION	QTY. PER UNIT		
		321	322	323
3-3	SIDE, TOP, AND REAR PANELS			
1	14854 KIT – OFG322 - 3/8 TO 5/8 RETURN RETROFIT	-	1	-
1	14856 KIT – OFE322 - 3/8 TO 5/8 RETURN RETROFIT	-	1	-
1	14860 KIT – OFG324 - 3/8 TO 5/8 RETURN RETROFIT	-	1	-
1	14861 KIT – OFE324 - 3/8 TO 5/8 RETURN RETROFIT	-	1	-
1	14862 KIT – OFX321 & 323 - 3/8 TO 5/8 RETURN RETROFIT	1	-	1
1	60293 TUBE, OIL RETURN LINE (321 SN: BN022JB & BELOW) (323 BEFORE 12/1/06)	1	-	1
1	71459 TUBE, OIL RETURN LINE (323 – 12/1/06 & AFTER)	-	-	1
1	60504 TUBE, OIL RETURN LINE (322 & 324 BEFORE 12/1/06)	-	1	-
1	71471 TUBE, OIL RETURN LINE (322 & 324 – 12/1/06 & AFTER)	-	1	-
2	FP01-082 CONNECTOR - 3/8 TUBE TO ½ NPT SS (321s SN: BN022JB & BELOW)	2	2	2
3	FP01-087 ELBOW (321s SN: BN022JB & BELOW)	1	1	1
4	NS02-002 NUT, END PANEL RETAINING	6	6	6
5	WA01-002 FLAT WASHER	6	6	6
6	SC01-216 SCREW	6	6	6
7	60551 SIDE PANEL, LH	1	1	1
7	50831 SIDE PANEL, LH (CE)	1	1	1
8	60368 TOP REAR COVER (3 WELL)	-	-	1
8	60471 TOP REAR COVER (2 WELL)	-	1	-
8	60527 TOP REAR COVER (1 WELL)	1	-	-
9	FP01-098 ELBOW, MAIN GAS INLET CONNECTION	1	1	1
10	60618 GAS LINE, 1/2 IN. W/DOUBLE SWIVEL (321)	1	-	-
10	33501 GAS LINE, 3/4 IN. W/DOUBLE SWIVEL (322)	-	1	-
10	33167 GAS LINE, 1 IN. W/DOUBLE SWIVEL (323)	-	-	1
11	60369 BOTTOM REAR COVER (GAS ONLY-323)	-	-	1
11	60472 BOTTOM REAR COVER (GAS ONLY-322)	-	1	-
11	60528 BOTTOM REAR COVER (GAS ONLY-321)	1	-	-
12	SC03-005 SCREW, BOX RETAINING	2	2	2
13	ME50-021 TERMINAL BLOCK (GAS)	1	1	1
13	63097 TERMINAL BLOCK – 2 POLE (CFA ONLY)	1	1	1
14	33353 120V COILED POWER CORD (GAS ONLY)	1	1	1
15	60312 CASTER 4 IN. W/O BRAKE	2	2	2
16	60552 SIDE PANEL, RH	1	1	1
16	50830 SIDE PANEL, RH(CE)	1	1	1
17*	33514 CORD – TETHER, 60 IN.	1	1	1

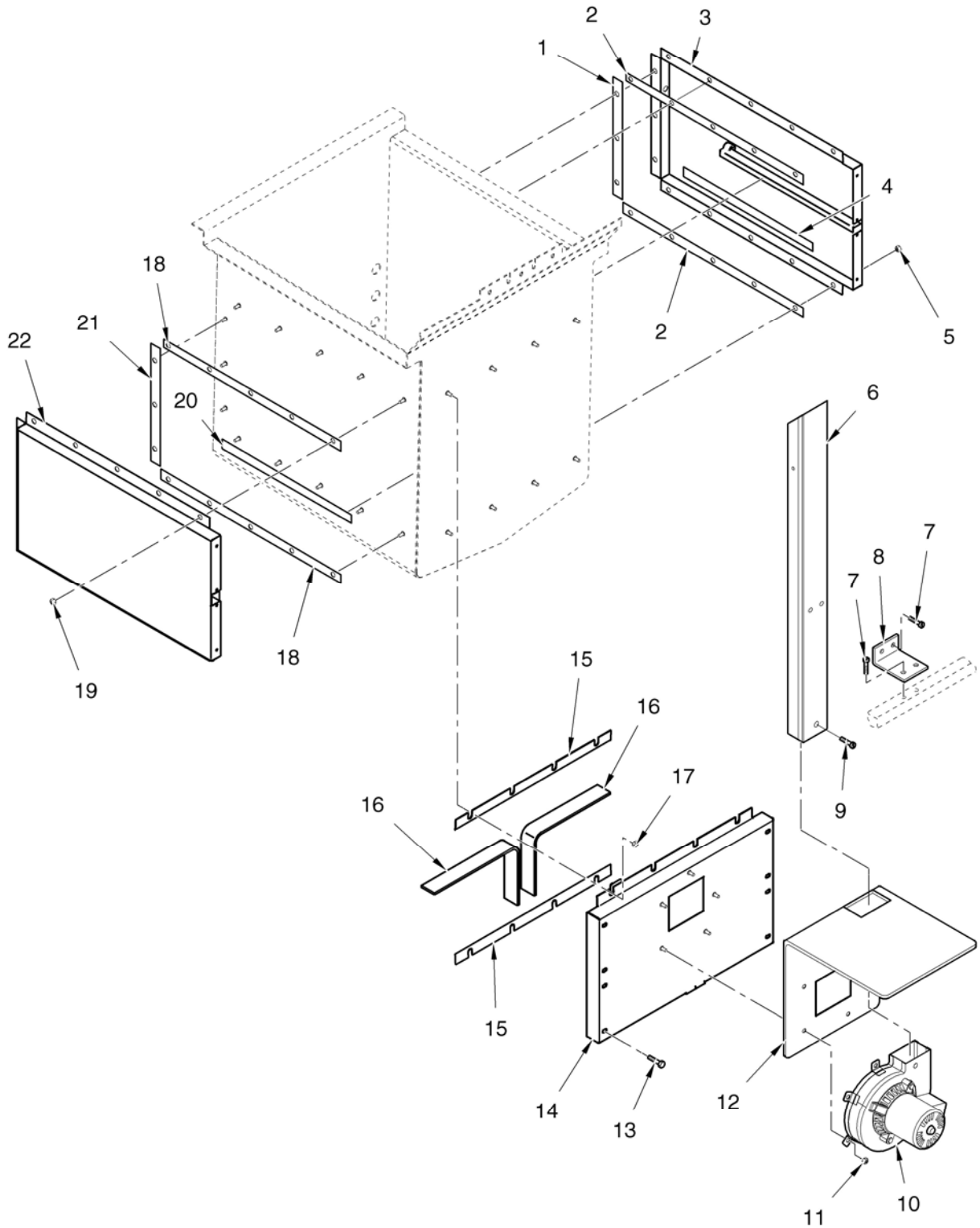


Figure 3-4. Gas Heat Ducting & Insulation

FIGURE & PART NO. ITEM NO.	DESCRIPTION	QTY. PER UNIT		
		321	322	323
3-4	GAS HEAT DUCTING & INSULATION			
1	60181 INSULATION, LH DUCT, FRONT & REAR	2	4	6
2	60180 INSULATION, LH DUCT, TOP & BOTTOM	2	4	6
3	60387 LH SIDE FLUE DUCT ASSY.	2	4	6
4	60182 INSULATION, LH DUCT, DIVIDER	1	2	3
5	NS02-002 NUT, LH DUCT RETAINING	13	26	39
6	60159 FLUE ASSY.	1	2	3
7	SC03-005 SCREW, BRACKET RETAINING	4	8	12
8	60359 BRACKET, FLUE RETAINING	1	2	3
9	SC03-005 SCREW, FLUE SECURING	3	6	9
√ 10	14420 KIT - BLOWER MOTOR ASSY – 120V (GAS ONLY)	1	2	3
√ 10	14422 KIT - BLOWER MOTOR ASSY – 220-240V (GAS ONLY)	1	2	3
11	NS02-006 NUT, BLOWER AND SPACER RETAINING	5	10	15
12	60392 RESTRICTOR PLATE/SPACER ASSY.	1	2	3
12	60523 RESTRICTOR PLATE/SPACER ASSY. (CE)	1	2	3
13	SC03-005 SCREW, BOX RETAINING	8	16	24
14	60338 COLLECTOR BOX ASSY.	1	2	3
15	60179 INSULATION, BOX TOP & BOTTOM	2	4	6
16	60373 INSULATION, BOX BAFFLE	2	4	6
17	NS02-006 NUT, BOX RETAINING	4	8	12
18	60180 INSULATION, RH DUCT, TOP & BOTTOM	2	4	6
19	NS02-002 NUT, RH DUCT RETAINING	13	26	39
20	60182 INSULATION, RH DUCT, DIVIDER	1	2	3
21	60181 INSULATION, RH DUCT, FRONT & REAR	2	4	6
22	60386 RH SIDE FLUE DUCT ASSY.	2	4	6

√ recommended parts

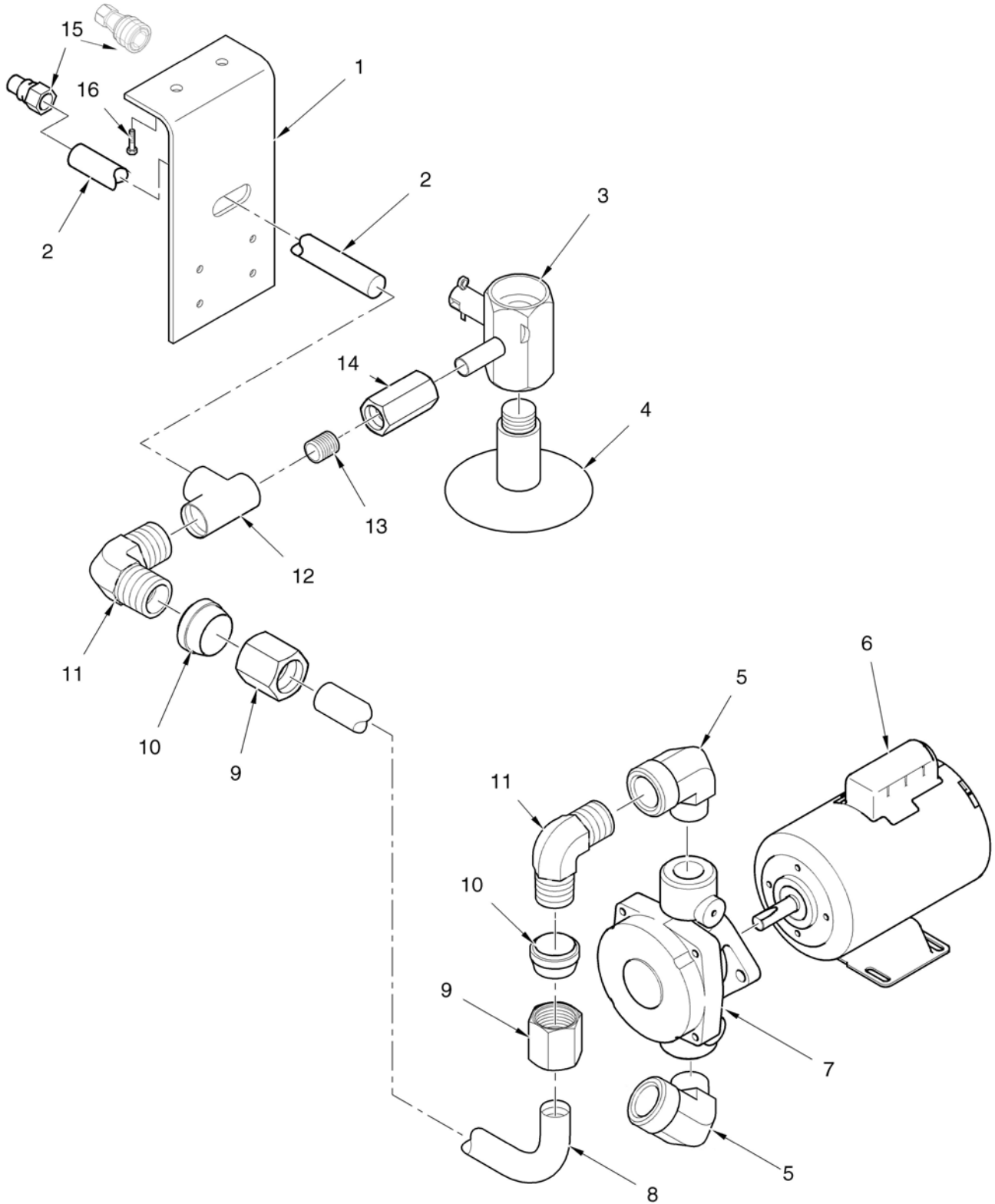
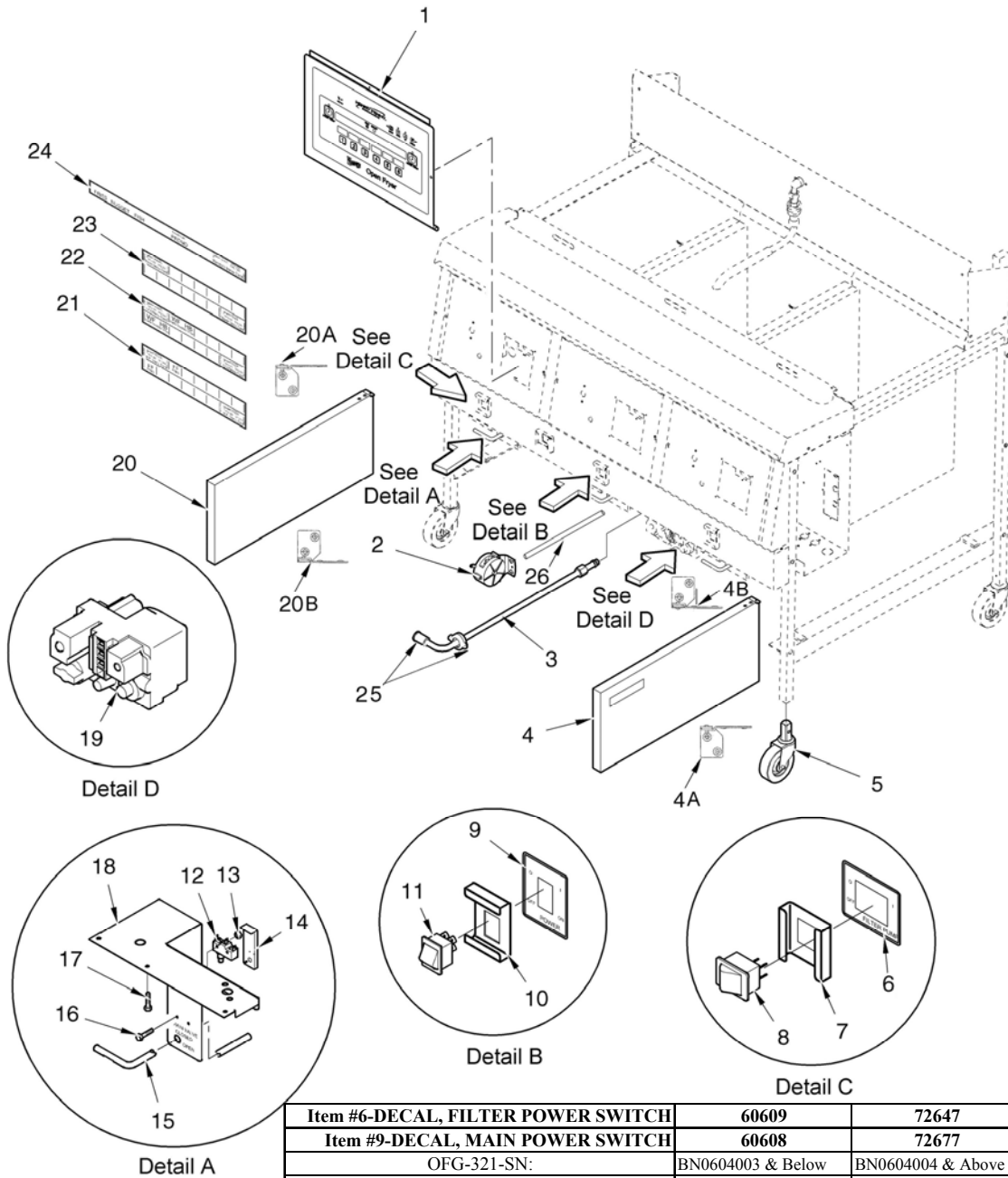


Figure 3-5. Oil Filtering System

FIGURE & PART NO. ITEM NO.	DESCRIPTION	QTY. PER UNIT		
		321	322	323
3-5	OIL FILTERING SYSTEM			
1	66005 FRONT PLATE	1	-	-
2	17320 PIPE, FRONT	1	-	-
3	55152 DRAIN VALVE & COUPLING ASSY.	1	2	3
4	60388 DRAIN VALVE EXTENSION (GAS) (321, (SN: BN022JB & BELOW; 322 & 323, SN: GN045JB & BELOW)	1	2	3
4	60736 DRAIN VALVE EXT. (ELECT.) (SN: GM024JB & BELOW)	1	2	3
4	24643 DRAIN VALVE EXT. (ELECT.) (SN: GM025JB & ABOVE)	1	2	3
4	24420 DRAIN VALVE EXTENSION (GAS) (SN: GN046JB ABOVE; INCLUDES MODEL OGA-321)	1	2	3
4	23839 DRAIN VALVE EXTENSION (OFG-321, SN: BN023JB & ABOVE)	1	-	-
5	16239 ELBOW, FILTER PUMP	2	-	-
6	67589 ASSY – FILTER PUMP & MOTOR			
√ 6	67583 FILTER PUMP MOTOR, 1/2 HP	1	1	1
7	17437 FILTER PUMP	1	1	1
8	26966 ASSY – POT TO PUMP TUBE – OFE-321	1	-	-
8	24257 ASSY – POT TO PUMP TUBE – OFG-321	1	-	-
9	16809 NUT, FILTER TO VALVE TUBE	2	-	-
10	16808 FERRULE, FILTER TO VALVE TUBE	2	-	-
11	17407 ELBOW, FILTER PUMP TUBE	1	-	-
12	17306 TEE	1	-	-
13	FP02-001 NIPPLE	1	-	-
√ 14	17308 VALVE, FILTER	1	-	-
15	17334 QUICK CONNECT FITTING - MALE	1	-	-
15	17333 QUICK CONNECT FITTING - FEMALE	1	-	-
16	SC03-005 SCREW, PLATE RETAINING	2	-	-

√ recommended parts



Item #6-DECAL, FILTER POWER SWITCH	60609	72647
Item #9-DECAL, MAIN POWER SWITCH	60608	72677
OFG-321-SN:	BN0604003 & Below	BN0604004 & Above
OGA-321-SN:	Below SN BP0604001	BP0604001 & Above
OFE-321-SN:	BA0604010 & Below	BA0604011 & Above
OEA-321-SN:	BB0604002 & Below	BB0604003 & Above
OFG-322-SN:	BN0604004 & Below	BN0604005 & Above
OGA-322-SN:	BP0605006 & Below	BP0605007 & Above
OFE-322-SN:	BA0604001 & Below	BA0604002 & Above
OEA-322-SN:	-	-
OFG-323-SN:	BN0604014 & Below	BN0604015 & Above
OGA-323-SN:	-	-
OFE-323-SN:	-	-
OEA-323-SN:	-	-

Figure 3-6. Door, Switches, Menu Card, & Control Board

FIGURE & ITEM NO.	PART NO.	DESCRIPTION	QTY. PER UNIT		
			321	322	323
		DOOR, SWITCHES, MENU CARD, & CONTROL BOARD			
√ 1	60603RB	6 TIMER CONTROL BOARD ASSY.	1	2	3
√ 1	69058RB	6 TIMER CONTROL BOARD ASSY. (CAFÉ EXPRESS)	1	2	3
√ 1	60796RB	12 TIMER CONTROL BOARD ASSY.	1	2	3
√ 1	67924RB	12 TIMER CONTROL BOARD ASSY. (CFA ONLY)	1	2	3
√ 1	69704RB	12 TIMER CONTROL BOARD ASSY.(POLLO CAMPERO ONLY)	1	2	3
2	14894	KIT - OFG 32X VAC SWITCH REPLACE (GAS ONLY)	1	2	3
3	60442	FILTER TO PUMP TUBE ASSY(323; 322; & 321-SN:BN023JB & ABOVE)	1	1	1
4	71879	RIGHT DOOR ASSY. (3 WELL)	-	-	1
4	71874	RIGHT DOOR ASSY. (2 WELL)	-	1	-
4A	17618	HINGE – DOOR – TOP	1	1	1
4B	17620	HINGE – DOOR – BOTTOM	1	1	1
5	52064	4 IN. SWIVEL CASTER W/ BRAKE	2	2	2
6		SEE CHART ON PREVIOUS PAGE	1	1	1
7	60844	SWITCH GUARD, FILTER SWITCH	1	1	1
√ 8	72277	FILTER SWITCH	1	1	1
9		SEE CHART ON PREVIOUS PAGE	1	2	3
10	60844	SWITCH GUARD, POWER SWITCH	1	2	3
√ 11	72277	POWER SWITCH ASSY.	1	2	3
√ 11	52224	COVERED POWER SWITCH (CE)	1	2	3
12	14681	KIT – OFE-321 N/O DRAIN SWITCH	1	-	-
12	14682	KIT – OFG-321 N/O DRAIN SWITCH	1	-	-
12	14650	KIT – OFG-322 & 323 N/O DRAIN SWITCH	-	2	3
12	14651	KIT – OFE-322 & 323 N/O DRAIN SWITCH	-	2	3
√ 12	18227	DRAIN MICROSWITCH	1	2	3
13	NS02-005	NUT	2	4	6
14	59224	DRAIN SWITCH COVER - GAS	1	2	3
15	18818	DRAIN VALVE EXTENSION ROD	1	2	2
15	74193	ROD – N/O 320 DRAIN	1	2	3
16	SC01-058	SCREWS, COVER & BRACKET RETAINING(6-32 X 1.5 IN.)	2	4	6
17	SC03-005	SCREWS, BRACKET RETAINING	2	4	6
18	66006	DRAIN SWITCH BRACKET (GAS HEAT)	1	2	3
18	66008	DRAIN SWITCH BRACKET (ELECTRIC HEAT)	1	2	3
18	66005	DRAIN SWITCH BRACKET – OFE- 321	1	-	-
√ 19	52129	24V NATURAL GAS VALVE	1	2	3
√ 19	60632	24V NATURAL GAS VALVE (CE)	1	2	3
√ 19	21332	24V LP GAS VALVE	1	2	3
√ 19	60633	24V LP GAS VALVE (CE)	1	2	3
20	71880	LEFT DOOR ASSY. (3 WELL)	-	-	1
20	71875	LEFT DOOR ASSY. (2 WELL)	-	1	-
20	71870	DOOR ASSY. (1 WELL)	1	-	-
20A	17618	HINGE – DOOR – TOP	1	1	1
20B	17620	HINGE – DOOR – BOTTOM	1	1	1
21	59565	GM MENU CARD	1	2	3
22	61724	CFA MENU CARD	1	2	3
23	59566	BLANK MENU CARD	1	2	3
23	69227	MENU CARD - POLLO	1	2	3
24	60682	WENDYS MENU CARD	1	2	3
24	14902	KIT – OFX WENDY’S BRKFST MENU STR	1	2	3
√ 25	69289	ASSY – FILTER UNION	1	1	1
26	60202	TUBE – VACUUM SWITCH	1	1	1
27*	18911	FILTER VALVE HANDLE (1 WELL UNITS)	1	-	-
28*	14260	OFG NATURAL TO LP CONV. KIT	1	2	3
29*	14261	OFG LP TO NATURAL CONV. KIT	1	2	3
29*	14649	OFG LP TO 13A NATURAL CONV. KIT	1	2	3
30*	17002	DOOR MAGNET	1	2	2
31*	60503	BRKT – MAGNET	1	2	2
32*	SC03-005	SCREWS	2	4	4
33*	65101	SHIELD – OPEN WELL MOTOR SPLASH	1	1	1

√ recommended parts/*not shown

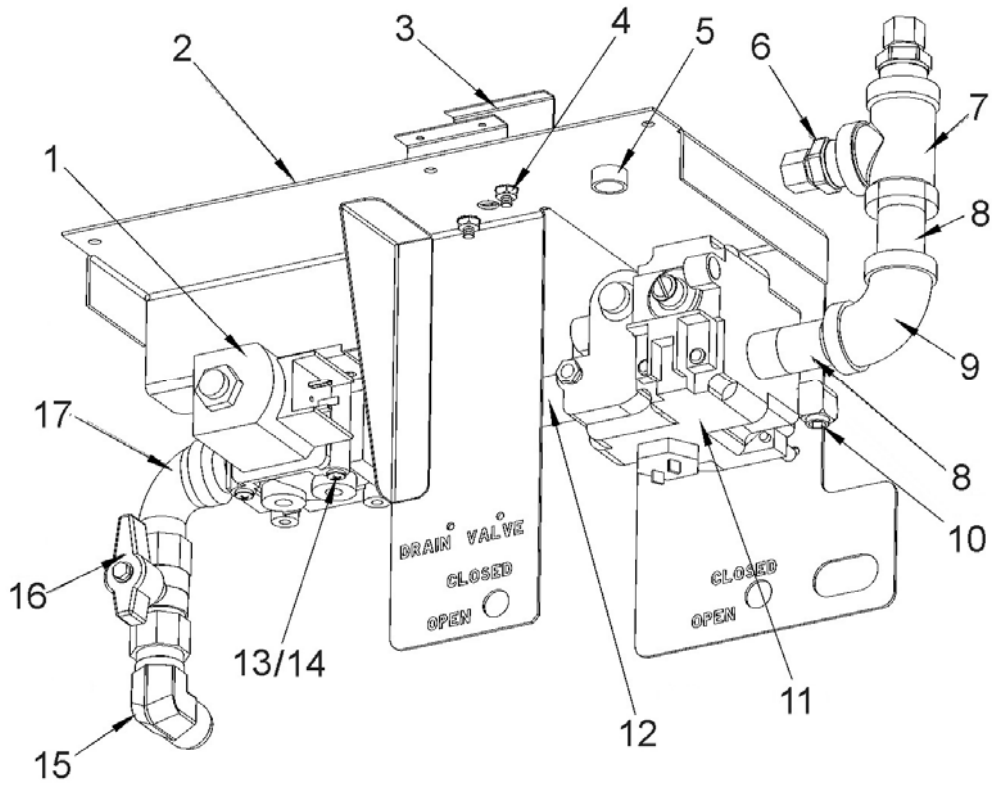


Figure 3-7a. CE Gas Valve Assembly

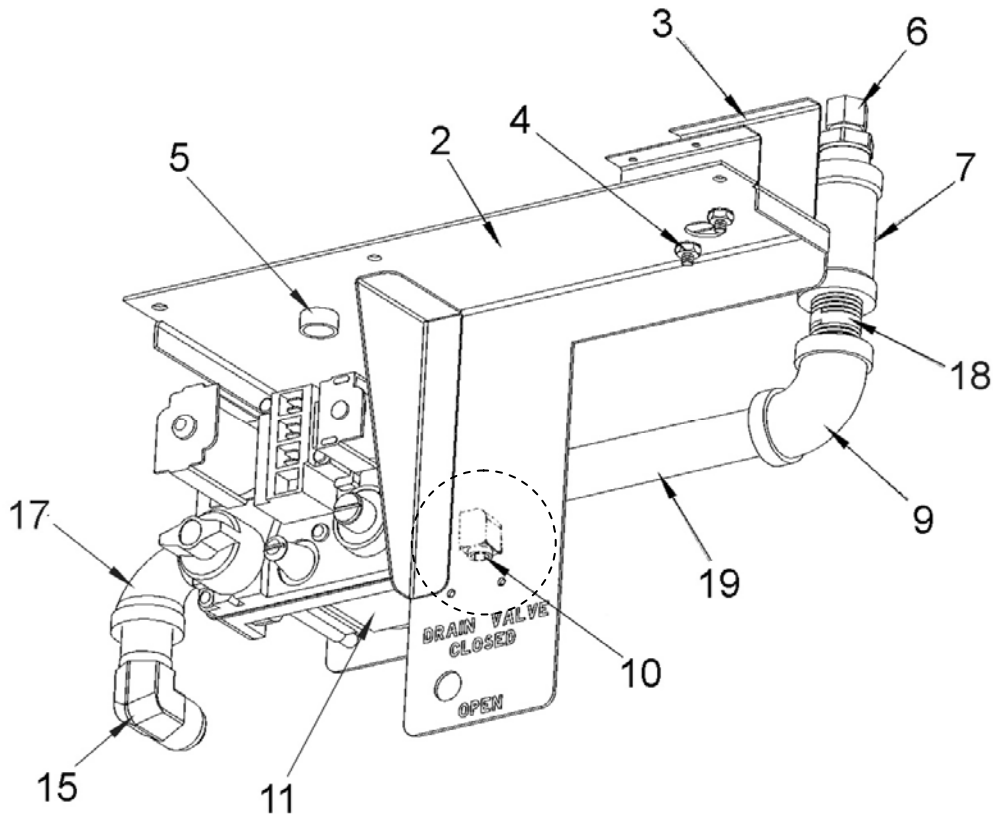


Figure 3-7b. Standard Gas Valve Assembly

FIGURE & PART NO. ITEM NO.	DESCRIPTION	QTY. PER UNIT		
		321	322	323
3-7a & 3-7b	GAS VALVE ASSEMBLIES			
1	34802 VALVE – SOLENOID-24V - 50-60 HZ	1	2	3
2	66006 WELD ASSY – GAS VALVE BRACKET	-	2	3
2	66004 WELD ASSY – GAS VALVE BRACKET – OFG-321	1	-	-
2	66007 WELD ASSY – GAS VALVE BRACKET (CE)	-	2	3
2	66009 WELD ASSY – GAS VALVE BRACKET (CE)–OFG-321	1	-	-
3	17216 ASSY – BRACKET – HIGH LIMIT	1	2	3
3	60520 ASSY – BRACKET – HIGH LIMIT (CE)	1	2	3
4	NS02-001 NUT – HEX KEPS - #10-32 C	2	4	6
5	EF02-106 BUSHING – SNAP – ½ ID PLASTIC	1	2	3
6	FP01-115 CONNECTOR – 3/8 TUBE TO ½ NPT BR	2	4	6
7	FP01-112 ½ NPT FEMALE PIPE TEE BI	1	2	3
8	FP02-018 NIPPLE – ½ NPT X 2.00L BI	2	4	6
9	FP01-090 ELBOW – ½ NPT X 90 FEMALE BI	1	2	3
10	FP01-014 ELBOW – 1/8 INCH Z	1	2	3
11	52129 24V NATURAL GAS VALVE	1	2	3
11	60632 24V NATURAL GAS VALVE (CE)	1	2	3
11	21332 24V LP GAS VALVE	1	2	3
11	60633 24V LP GAS VALVE (CE)	1	2	3
11	68245 HONEYWELL-24V UNREG. GAS VALVE (FRANCE)	1	2	3
12	FP02-020 NIPPLE ½ NPT X 5 LG PIPE SS	1	2	3
13	SC01-175 SCREW - #8-32 X 2.00 PH PHD SS	2	4	6
14	NS02-007 NUT – HEX KEPS - #8-32 C	2	4	6
15	16336 ELBOW – MALE	1	2	3
16	45401 VALVE – ½ INCH GAS BALL	1	2	3
17	FP01-088 ELBOW – STREET ½ X 90 BI	1	2	3
18	FP01-022 ½ NPT PIPE NIPPLE – 1-1/2 L	1	2	3
19	FP02-029 NIPPLE – ½ NPT X 7 INCH LONG BI	1	2	3

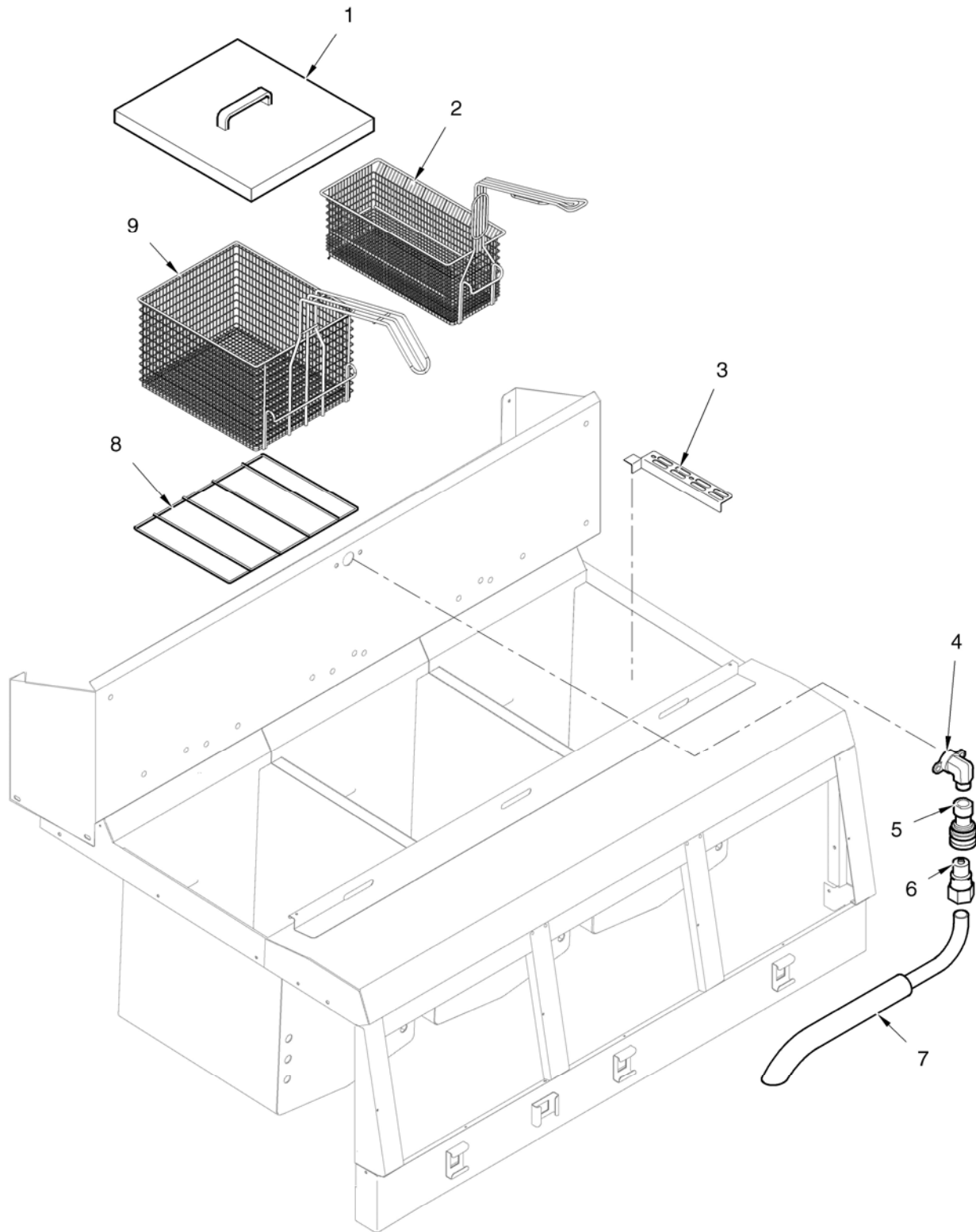


Figure 3-7. Baskets and Return Faucet

FIGURE & PART NO. ITEM NO.	DESCRIPTION	QTY. PER UNIT		
		321	322	323
3-7	BASKETS AND RETURN FAUCET			
1	60843 FRYPOT COVER	1	2	3
1	26873 FRYPOT COVER (CFA ONLY)	1	2	3
2	67683 HALF SIZE FRY BASKET	2	4	6
2	65466 HALF SIZE BASKET, COATED	2	4	6
2	21033 HALF SIZE BASKET (CFA ONLY)	2	4	6
2	69085 HALF SIZE BASKET – F & R HOOKS	2	4	6
2	72304 BASKET – ½ SIZE REDUCED WEIGHT	2	4	6
2	59078 BASKET – 1/3 SIZE	3	6	9
2	71060 BASKET – 320 - 1/2 SIZE TIERED	2	4	6
3	60367 HIGH LIMIT GUARD	1	2	3
4	FP01-087 ELBOW, MALE, 3/8 IN.	1	1	1
5	17333 FEMALE DISCONNECT	1	1	1
6	17334 MALE DISCONNECT	1	1	1
7	70560 ASSY–RETURN OIL FAUCET-MALE 322, 323, & 324)	-	1	1
7	70425 ASSY–RETURN OIL FAUCET-FEMALE 322, 323, & 324)	-	1	1
7*	60611 ASSY. - RETURN LINE-UPPER - WITH 17334 (321, SN: BN022JB & BELOW)	1	-	-
8	60120 OFG FRY BASKET SUPPORT	1	2	3
8	77538 GRID - BASKET SUPPORT	-	2	-
9	33824 FULL SIZE FRY BASKET	1	2	3
10*	50715 3/8 X 1 1/8 IN. NIPPLE	1	1	1
11*	70201 DUMP STATION, CENTER WELL BASKET INSERT	-	-	3
12*	48629 DRIP SHIELD, FRYER/DUMP TABLE	1	1	1

* not shown

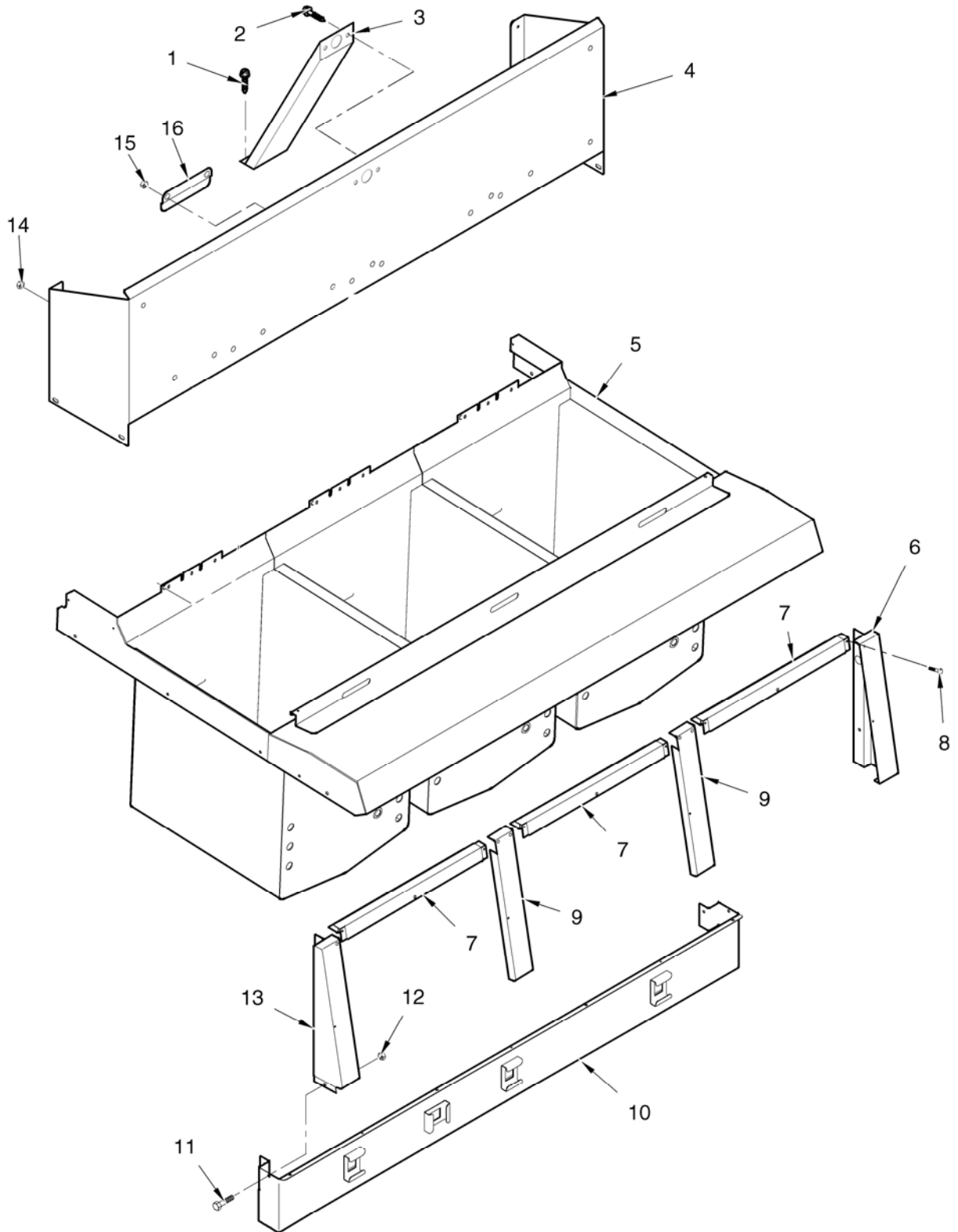


Figure 3-8. Shrouds and Pot & Counter Top

FIGURE & PART NO. ITEM NO.	DESCRIPTION	QTY. PER UNIT		
		321	322	323
3-8	SHROUDS AND POT & COUNTER TOP			
1	SC03-005 SCREW, BRACKET RETAINING, BOTTOM	2	2	2
2	SC01-034 SCREW, BRACKET RETAINING, TOP	2	2	2
3	60340 BRACKET, REAR SHROUD	1	2	2
4	23808 REAR SHROUD ASSY.	1	-	-
4	60470 REAR SHROUD ASSY.	-	1	-
4	60441 REAR SHROUD ASSY.	-	-	1
5	24797 POT & COUNTERTOP ASSY. (OFE-321)	1	-	-
5	64422 POT & COUNTERTOP ASSY. (OFE-322)	-	1	-
5	64423 POT & COUNTERTOP ASSY. (OFE-323)	-	-	1
6	60322 SHROUD CONTROL VERTICAL RH	1	1	1
7	60328 SHROUD CONTROL UPPER MIDDLE	-	2	3
8	SC04-003 SCREW	4	9	10
9	60326 SHROUD CONTROL DIVIDER	-	1	2
10	71938 BOTTOM SWITCH GUARD	1	-	-
10	69634 BOTTOM SWITCH GUARD	-	1	-
10	72109 BOTTOM SWITCH GUARD	-	-	1
11	SC01-034 SCREW	2	2	2
12	NS02-007 NUT	2	2	2
13	60324 SHROUD CONTROL VERTICAL LH	1	1	1
14	NS02-006 NUT, SHROUD RETAINING	4	6	8
15	NS02-006 NUT, RETAINER SECURING	-	2	-
16	33261 REAR SHROUD RETAINER	-	1	-
17*	14778 KIT – FLAT C TOP JOINING	1	1	1

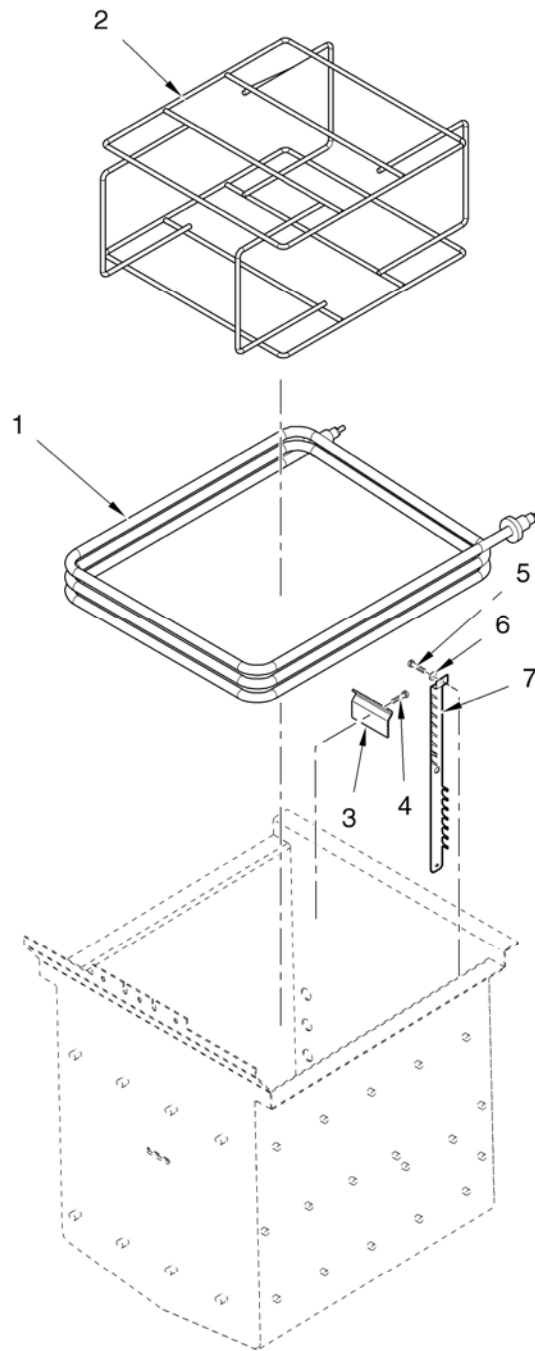


Figure 3-9. Electric Heater

FIGURE & PART NO. ITEM NO.	DESCRIPTION	QTY. PER UNIT		
		321	322	323
3-9	ELECTRIC HEATER			
√ 1 60744-3	HEATER – 230V 4800W	3	6	9
√ 1 60744-4	HEATER – 208V 4800W	3	6	9
√ 1 30292-2	HEATER – 208V 7333W	3	6	9
√ 1 60744-5	HEATER – 480V 4800W	3	6	9
√ 1 30292-1	HEATER – 480V 7333W	3	6	9
2 60747	OFE FRY BASKET SUPPORT	1	2	3
2 26917	FRY BASKET SUPPORT (CFA ONLY)	1	2	3
3 18720	HI LIMIT REAR CLAMP	1	2	3
3 18248	HI LIMIT FRONT CLAMP	1	2	3
4 SC01-053	CLAMP SCREW (#8-32 X 1/2 IN.)	1	2	3
5 SC01-055	SPREADER SCREW (#10-32 X 3/4 IN.)	10	20	30
6 LW02-005	LOCKWASHER, #10 INTERNAL	10	20	30
7 51931	SPREADER BAR ASSY.	5	10	15

√ recommended parts

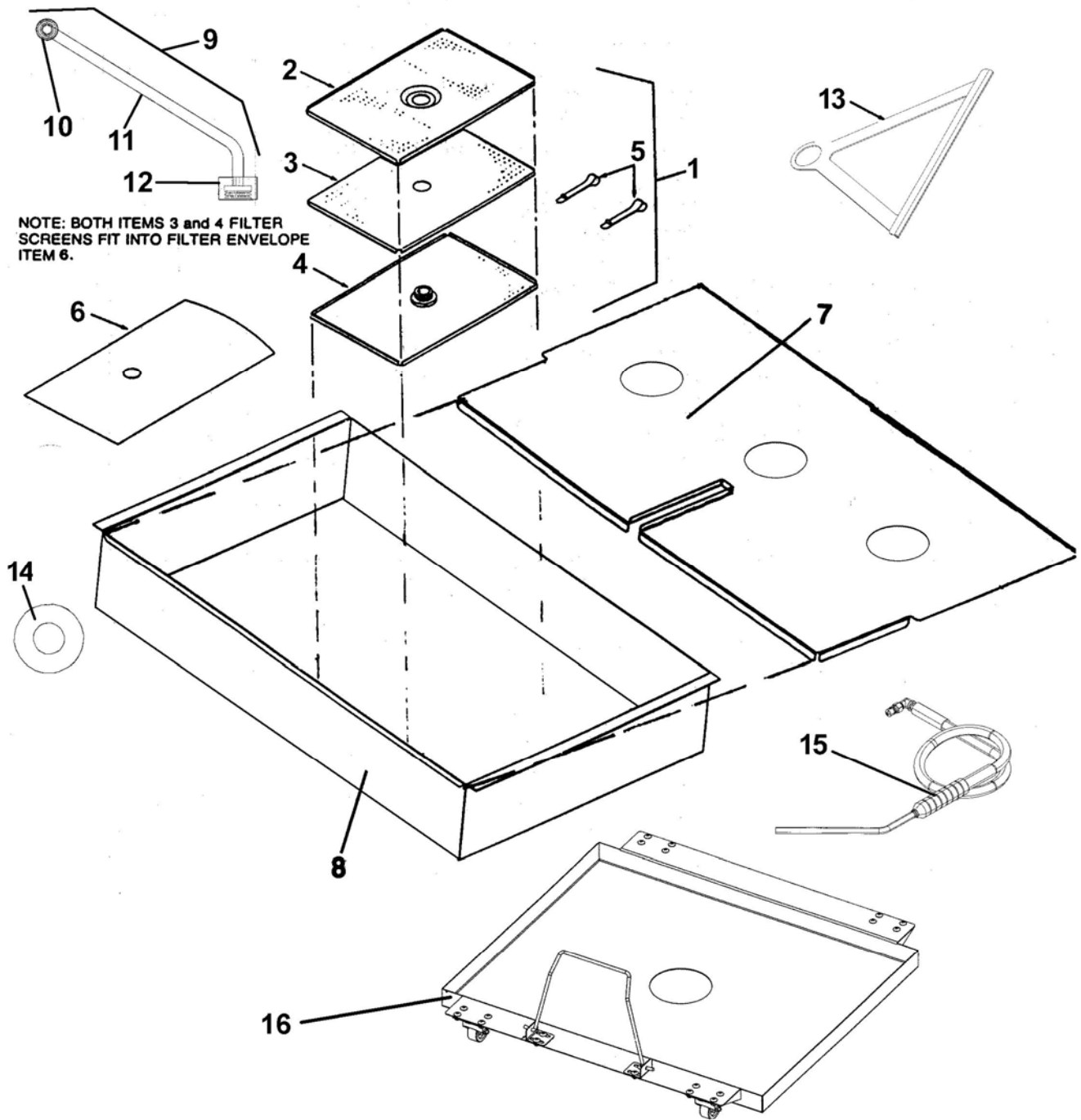


Figure 3-10. Drain Pan, Screen, and Cover

FIGURE & PART NO. ITEM NO.	DESCRIPTION	QTY. PER UNIT		
		321	322	323
3-10	DRAIN PAN, SCREEN, & COVER			
1	17510(USE 14671) SCREEN ASSY., FILTER	1	1	1
2	65211 . CRUMB CATCHER - SS	1	1	1
3	17502(USE 14671) . TOP FILTER SCREEN	1	1	1
4	17503(USE 14671) . BOTTOM FILTER SCREEN (OFE-BELOW SN: BA0502001) (OFG-BELOW SN: BN0502001)	1	1	1
4	65447 . BOTTOM FILTER SCREEN-SS(OFE-SN:BA0502001 & ABOVE)1 (OFG-SN:BN0502001 & ABOVE)	1	1	1
4	14672 KIT -WENDY'S SS FILTER SCREEN (INCLUDES 4, 12 & 13)1	1	1	1
4	14878 KIT -WENDY'S FRYER FILTER SCREEN & NUT (INCLUDES 4 &12)	1	1	1
5	17505 . FILTER ENVELOPE CLIPS	2	2	2
√ 6	12102 FILTER ENVELOPE PAPER (100 PER CARTON)	1	1	1
7	DRAIN PAN COVER - SEE CHART ON NEXT PAGE	1	-	-
8	21088 DRAIN PAN (321) (OFE-BELOW SN: BA0604017) (OFG-BELOW SN: BN00604043)	1	-	-
8	70344 DRAIN PAN (321) (OFE-SN:BA0604017) & ABOVE) (OFG-SN:BN00604043) & ABOVE)	1	-	-
8	66522 DRAIN PAN (322) (OFE-BELOW SN: BA0604018) (OFG-BELOW SN: BN0604032)	-	1	-
8	70345 DRAIN PAN (322) (OFE-SN BA0604018 & ABOVE) (OFG-SN:BN0604032 & ABOVE)	-	1	-
8	66523 DRAIN PAN (323) (OFE-BELOW SN:BA0604025) (OFG-BELOW SN:BN0604018)	-	-	1
8	70346 DRAIN PAN (323) (OFE-SN:BA0604025 & ABOVE) (OFG-SN:BN0604018 & ABOVE)	-	-	1
9	KIT-OFX32X PICK UP TUBE- SEE CHART ON NEXT PAGE	1	1	1
10	69289 . UNION, FEMALE FITTING	1	1	1
11	. STANDPIPE TUBE- SEE CHART ON NEXT PAGE	1	1	1
12	65208 . NUT, FILTER	1	1	1
13	63102 SEALER BAR FOR FILTER SCREENS(WENDY'S 322 & 323) -	-	1	1
13	14783 KIT - 500 GM SEALER BAR (SN:BN0502001 & ABOVE)	1	1	1
13	14909 KIT - GM 2-PIECE FILTER SEALER (SN:BN0502000 & BELOW)	1	1	1
14	36305 WASHER - STANDPIPE (WENDY'S 321)	1	-	-
15	33494 RINSE HOSE ASSY. (BOB EVANS) - MALE FITTING	1	1	1
15	03003 RINSE HOSE ASSY. - FEMALE FITTING	1	1	1
16	ASSESSORY - DRAIN PAN DOLLY - SEE CHART ON NEXT PAGE	1	1	1

√ recommended parts

Drain Pan, Standpipe, Cover and Filter Pan Dolly

Item #7-Drain Pan Cover	21064	71597	60460	24596	71599	60281	24597	71601
OFG-321 - SN:	BN0604042 & Below	BN0604043 & Above	-	-	-	-	-	-
OGA-321 - SN:	Below SN: BP0604001	BP0604001 & Above	-	-	-	-	-	-
OFE-321 - SN:	BA0604016 & Below	BA0604017 & Above	-	-	-	-	-	-
OEA-321 - SN:	BB0604003 & Below	BB0604004 & Above	-	-	-	-	-	-
OFG-322 - SN:	-	-	GN0451B & Below	GN0461B to BN0604031	BN0604032 & Above	-	-	-
OGA-322 - SN:	-	-	GN0451B & Below	GN0461B to BP0605005	BP0605006 & Above	-	-	-
OFE-322 - SN:	-	-	GM0241B & Below	GM0251B to BA0604017	BA0604018 & Above	-	-	-
OEA-322 - SN:	-	-	N/A	N/A	N/A	-	-	-
OFG-323 - SN:	-	-	-	-	-	GN0451B & Below	GN0461B to BN0604017	BN0604018 & Above
OGA-323 - SN:	-	-	-	-	-	GN0451B & Below	GN0461B to BP0605006	BP0605007 & Above
OFE-323 - SN:	-	-	-	-	-	GM0241B & Below	GM0251B to BA0604024	BA0604025 & Above
OEA-323 - SN:	-	-	-	-	-	N/A	N/A	N/A

Item #9-Kit Pick-Up Tube	14654		N/A	14654	N/A	14654	N/A
Item #11-Standpipe Tube	60377		70360	60377	70360	60377	70360
Item #16-Filter Pan Dolly	03495		03548	03496	03549	03497	03550
OFG-321 - SN:	BN0604042 & Below	BN0604043 & Above	-	-	-	-	-
OGA-321 - SN:	Below SN: BP0604001	BP0604001 & Above	-	-	-	-	-
OFE-321 - SN:	BA0604016 & Below	BA0604017 & Above	-	-	-	-	-
OEA-321 - SN:	BB0604003 & Below	BB0604004 & Above	-	-	-	-	-
OFG-322 - SN:	-	-	BN0604031 & Below	BN0604032 & Above	-	-	-
OGA-322 - SN:	-	-	BP0605005 & Below	BP0605006 & Above	-	-	-
OFE-322 - SN:	-	-	BA0604017 & Below	BA0604018 & Above	-	-	-
OEA-322 - SN:	-	-	N/A	N/A	-	-	-
OFG-323 - SN:	-	-	-	-	-	BN0604017 & Below	BN0604018 & Above
OGA-323 - SN:	-	-	-	-	-	BP0605006 & Below	BP0605007 & Above
OFE-323 - SN:	-	-	-	-	-	BA0604024 & Below	BA0604025 & Above
OEA-323 - SN:	-	-	-	-	-	N/A	N/A

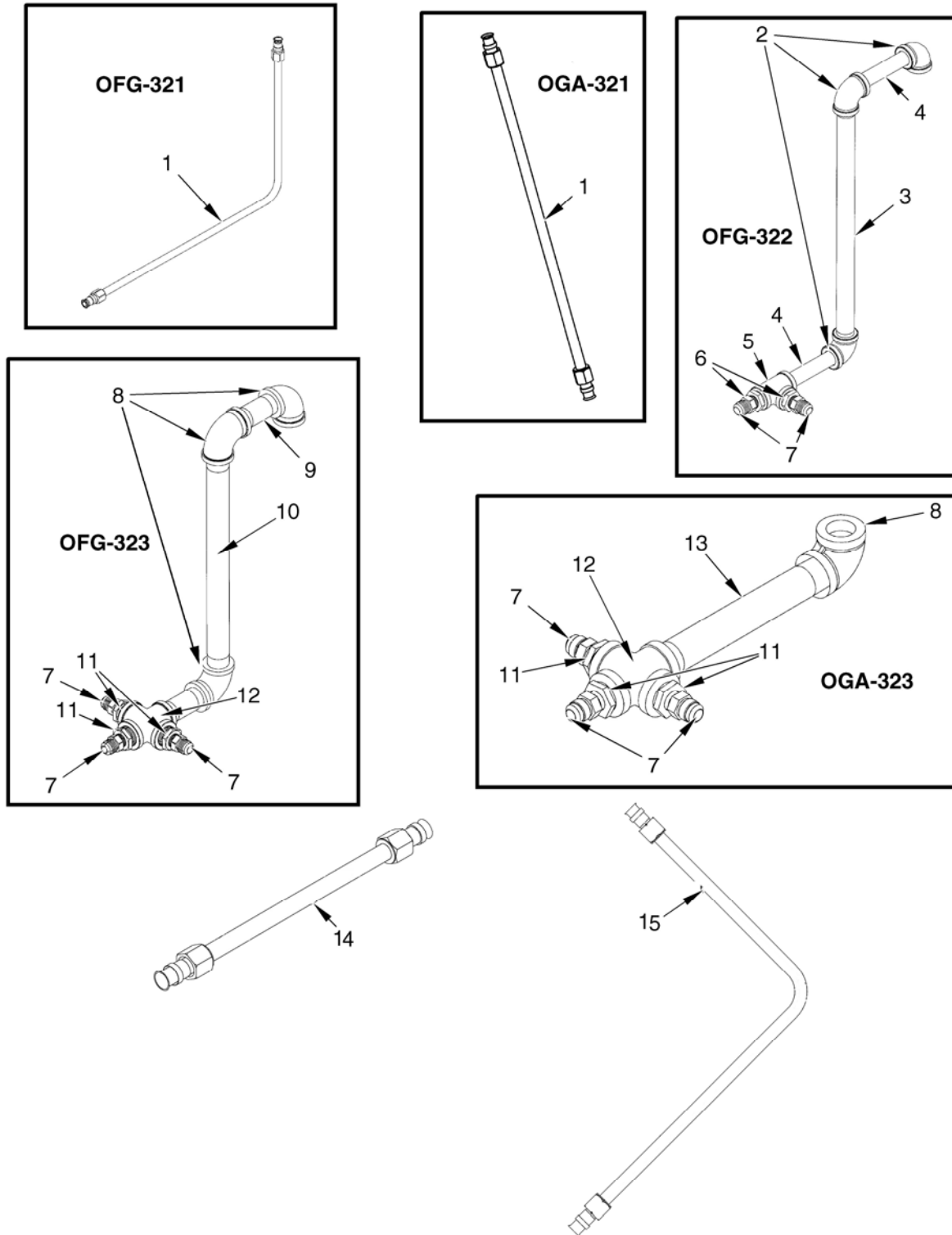


Figure 3-11. Main Gas Lines

FIGURE & PART NO. ITEM NO.	DESCRIPTION	QTY. PER UNIT		
		321	322	323
3-11	MAIN GAS LINES			
1	60621 MAIN GAS LINE ASSY.	1	-	-
1	24772 MAIN GAS LINE ASSY.	1	-	-
2	FP01-098 ELBOW (3/4 NPT X 90 FEMALE BI)	-	3	-
3	FP02-056 NIPPLE (3/4 NPT X 17 IN. LG. BI)	-	1	-
4	FP02-022 NIPPLE (3/4 NPT X 4 IN. LG. BI)	-	2	-
5	FP01-097 TEE (3/4 NPT FEMALE PIP BI)	-	1	-
6	FP01-089 BUSHING, REDUCING (3/4M TO 1/2F BI)	-	2	-
7	16335 MALE CONNECTOR, 37 FLARE	-	2	3
8	FP01-093 ELBOW (1 IN. NPT X 90 FEMALE BI)	-	-	3 OR 1
9	FP01-094 NIPPLE (1 IN. NPT X 3 1/2 LG. BI)	-	-	2
10	FP02-031 NIPPLE (1 IN. NPT X 16 IN LG. BI)	-	-	1
10	FP02-061 NIPPLE (1 IN. NPT X 18 IN LG. BI) - CE	-	-	1
11	FP01-085 BUSHING, REDUCING (1M TO 1/2F BI)	-	-	3
12	FP01-092 CROSS TEE (1 IN. NPT FEMALE BI)	-	-	1
13	FP02-034 NIPPLE (1 IN. NPT X 9 IN. LG. BI)	-	-	1
14	45621 ASSY – MIDDLE GAS LINE	-	1	1
15	33325 ASSY – RIGHT GAS LINE – 3 WELL	-	-	2
15	33490 ASSY – RIGHT GAS LINE – 2 WELL	-	1	-
16*	FP01-200 FITTING – GAS INLET BSPT	1	1	1

* not shown

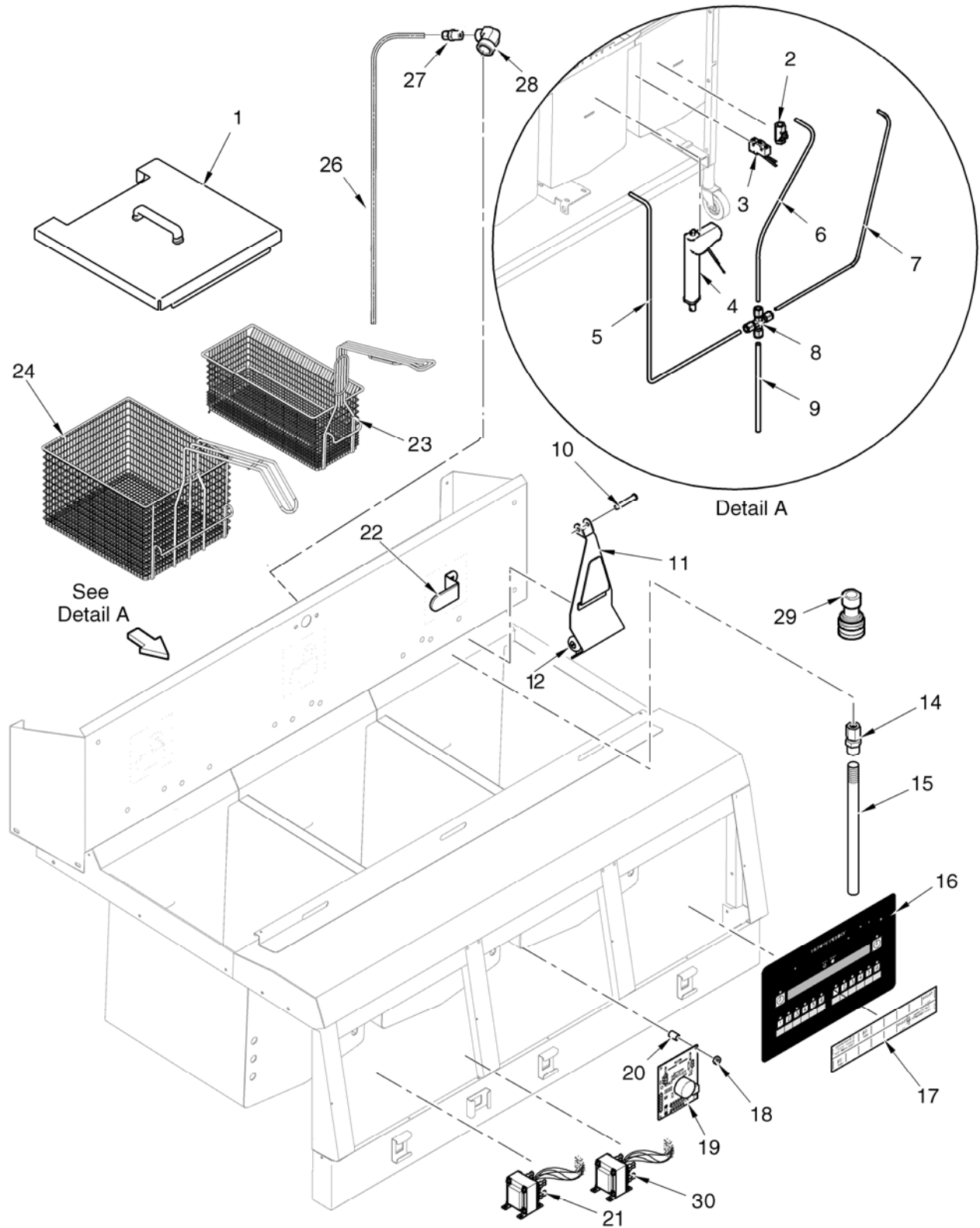


Figure 3-12. Autolift Feature

FIGURE & ITEM NO.	PART NO.	DESCRIPTION	QTY. PER UNIT		
			321	322	323
3-12		AUTOLIFT FEATURE			
1	50814	FRYPOT COVER, AUTOLIFT	1	2	3
2	50750	FILTER VALVE, OIL RETURN	1	1	1
√ 3	50764	MICROSWITCH, RIGID LEVER	1	2	3
√ 4	50716	ACTUATOR, AUTOLIFT, 24V MOTOR (SN: EN040JB & BELOW)	2	4	6
√ 4	63602	ACTUATOR, AUTOLIFT, 24V MOTOR (SN: EN041JB & ABOVE)	2	4	6
5	50784	TUBE, UNION TO WELL 3, FILTER SYSTEM	-	-	1
6	50780	TUBE, UNION TO WELL 2, FILTER SYSTEM	-	1	-
6	50783	TUBE, UNION TO WELL 2, FILTER SYSTEM	-	-	1
7	50779	TUBE, UNION TO WELL 1, FILTER SYSTEM	-	1	-
7	50782	TUBE, UNION TO WELL 1, FILTER SYSTEM	-	-	1
8	FP01-129	UNION, TEE, 3/8 IN. TUBE SS, FILTER SYSTEM	-	1	-
8	FP01-130	UNION, CROSS	-	-	1
9	50778	TUBE, PUMP TO UNION, FILTER SYSTEM	-	1	-
9	50781	TUBE, PUMP TO UNION, FILTER SYSTEM	-	-	1
10	50776	PIN, ACTUATOR CLEVIS	2	4	6
11	50719	BASKET HANGER ASSY. (SN: EN040JB & BELOW)	2	4	6
11	50865	BASKET HANGER ASSY. (SN: EN041JB & ABOVE)	2	4	6
12	31421	...BEARING WITH SCREW	4	8	12
13	NS03-023*	...NUT, 1/4-20 ACORN CAP	4	8	12
14	FP01-128	CONNECTOR (3/8 IN. TUBE TO 3/8 IN. NPT SS), FILTER SYSTEM	-	1	1
15	50785	TUBE, OIL RETURN, LONG, FILTER SYSTEM	-	1	1
15	60611	RETURN FAUCET ASSY. (WITH 17334 DISCONNECT)	1	1	1
√ 16	60796RB	GM 12 BUTTON CONTROL (321)	1	2	3
17	61562	MENU CARD, AUTOLIFT	2	4	6
18	NS02-005	NUT	4	8	12
19	50290	BASKET LIFT PCB ASSY.	1	2	3
20	ME50-024	SPACER	4	8	12
√ 21	31159	TRANSFORMER ASSY. (120V)	1	2	3
√ 21	31160	TRANSFORMER ASSY. (240V)	1	2	3
√ 21	30614	TRANSFORMER (208/240V-PRI, 24V-SEC.) (ELECTRIC UNITS)	1	2	3
22	59721	RETURN VALVE HANDLE	-	2	3
23	50704	1/2 SIZE BASKET	2	4	6
24	50703	FULL SIZE BASKET	1	2	3
25*	50786	TUBE, 2.00 NIPPLE, FILTER SYSTEM	-	1	1
26	60293	TUBE, OIL RETURN LINE	1	-	-
27	FP01-082	CONNECTOR (3/8 TUBE TO 1/2 NPT SS)	1	-	-
28	FP01-087	ELBOW	1	1	1
29	17333	DISCONNECT – FEMALE (USED W/60611)	1	1	1
30	TS22-012	TRANSFORMER – AUTOLIFT	1	2	3

√ recommended parts/*not shown

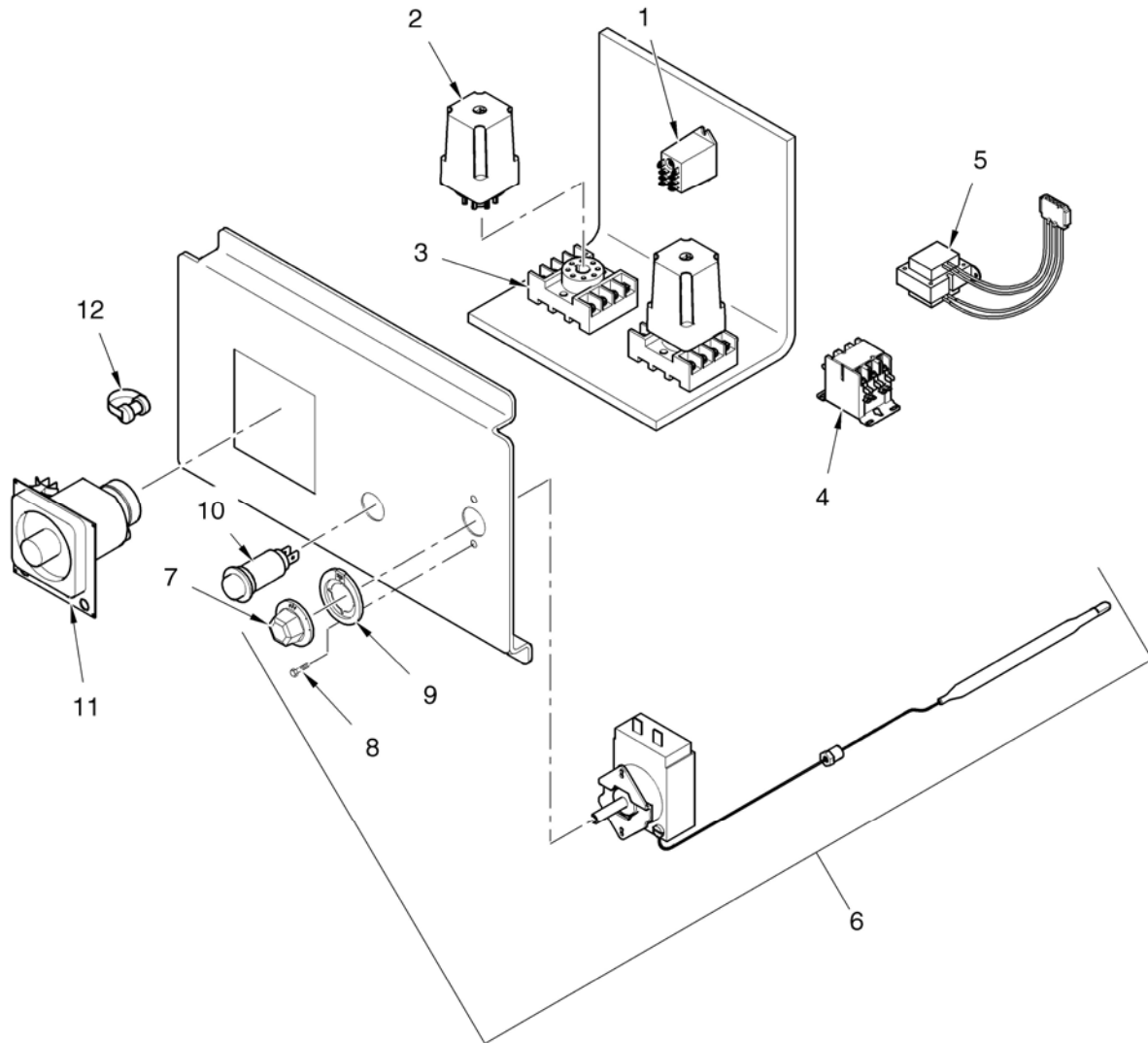


Figure 3-13. Electro-Mechanical Controls

ITEM NO.	PART NO.	DESCRIPTION	QTY. PER UNIT		
			321	322	323
	3-13	ELECTRO-MECANICAL CONTROLS			
√ 1	60818	AC COIL RELAY (24V)	1	2	3
√ 2	60817	ADJUSTABLE TIME DELAY RELAY	2	4	6
√ 3	60816	ADJUSTABLE TIME DELAY RELAY BASE	2	4	6
√ 4	51795	HEAT CONTACTOR (ELEC. ONLY) (NON CE)	2	4	6
√ 4	65098	HEAT CONTACTOR (ELEC. ONLY) (CE)	2	4	6
√ 4	29509	24V PRIMARY CONTACTOR (CE)	1	2	3
√ 5	35916	TRANSFORMER (120V TO 24V) (GAS)	1	2	3
√ 5	60536	TRANSFORMER (24V/230V) (ELECTRIC)	1	2	3
√ 6	14851	THERMOSTAT KIT	1	2	3
	7	. KNOB	1	2	3
	8	. BEZEL	1	2	3
	9	SC01-023 . SCREW	2	4	6
√ 10	60792	INDICATOR LIGHT (24V)	1	2	3
√ 11	60765	DUAL FACE TIMER	1	2	3
√ 12	65567	TIMER BUZZER ASSY.	1	2	3

√ recommended parts

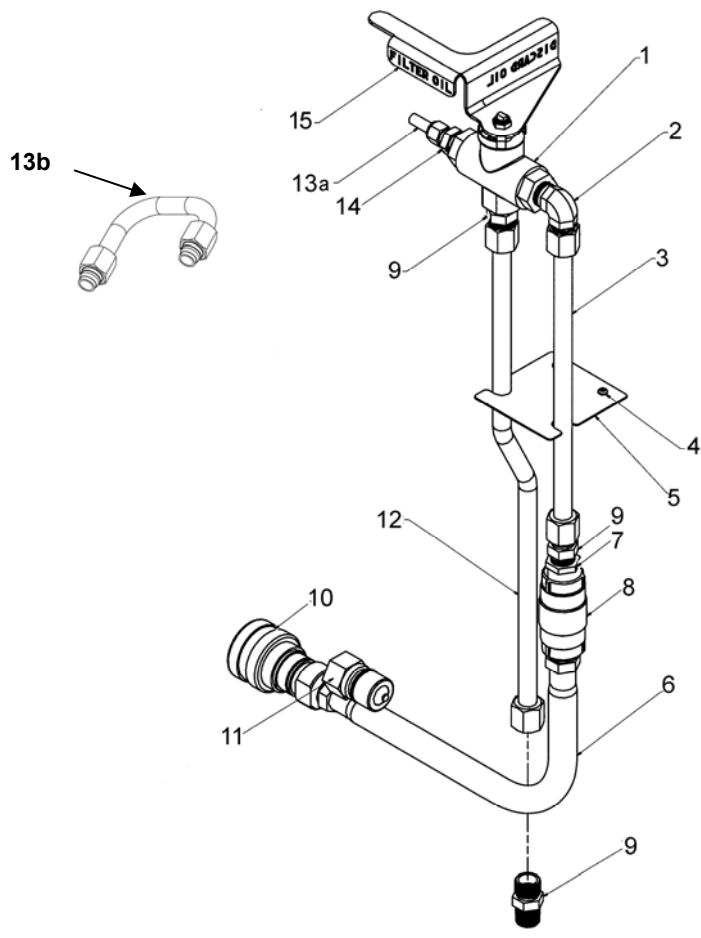


Figure 3-14. OFX-323 Optional Direct-Connect Parts

ITEM NO.	PART NO.	DESCRIPTION	QTY. PER UNIT
	14857	KIT – DIRECT-CONNECT OFX-323 (12/1/06 & AFTER)	1
	14368	KIT – DIRECT-CONNECT OFX-323 (BEFORE 12/1/06)	1
1	21613	VALVE - DIVERTER	1
2	17407	CONNECTOR – ½ MALE ELBOW	1
3	24692	ASSY. – D.C. OFX-32X DISCARD TUBE	1
4	SC03-005	SCREW – SD #8 X ½ PH PHD	2
5	21509	BRACKET - TUBE	1
6	24695	ASSY. – D.C. OFX-323 & 322 HOSE	1
6	21753	. HOSE – SHORTENING DISCARD	1
7	FP01-089	. BUSHING-REDUCING 3/4M TO 1/2F BL	1
8	21800	. VALVE – ¾ CHECK	1
9	16807	. FITTING – CONNECTOR – MALE	3
10	21612	. DISCONNECT – FEMALE	1
11	21611	DISCONNECT – MALE	1
12	24922	ASSY. – D.C. OFX-323 FILTER TUBE	1
13b	73191	ASSY. – D.C. OFX-323 RETURN TUBE (12/1/06 & AFTER)	1
13a	24923	ASSY. – D.C. OFX-323 RETURN TUBE (BEFORE 12/1/06)	1
13a	24889	. TUBE-D.C. OFX-32X RETURN	1
14	FP01-082	. CONNECTOR – 3/8 TUBE TO ½ NPT SS	1
15	21439	HANDLE – DIVERTER VALVE	1

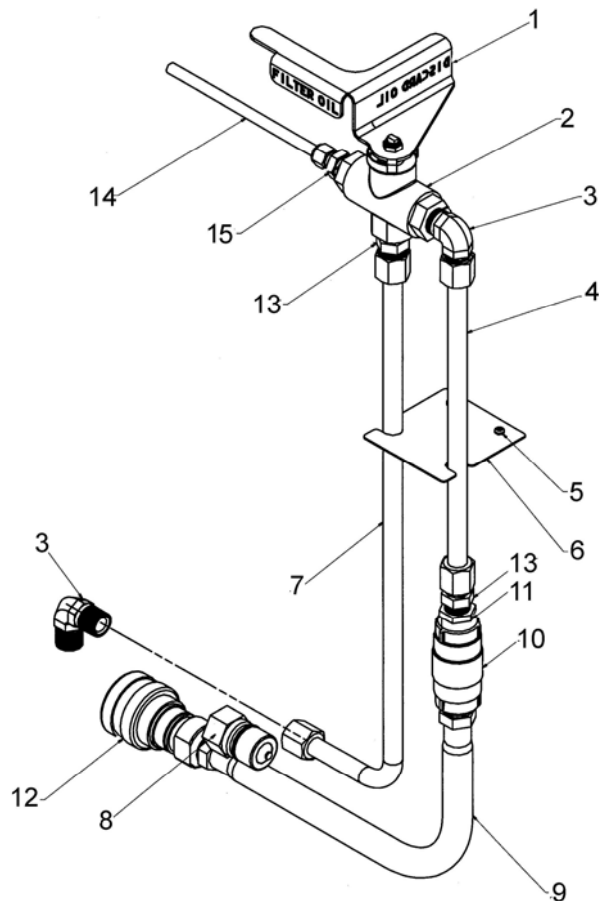


Figure 3-15. OFX-322 Optional Direct-Connect Parts

ITEM NO.	PART NO.	DESCRIPTION	QTY. PER UNIT
	14858	KIT – DIRECT-CONNECT OFX-322 (12/1/06 & AFTER)	1
	14367	KIT – DIRECT-CONNECT OFX-322 (BEFORE 12/1/06)	1
1	21439	HANDLE – DIVERTER VALVE	1
2	21613	VALVE - DIVERTER	1
3	17407	CONNECTOR – ½ MALE ELBOW	2
4	24692	ASSY. – D.C. OFX-32X DISCARD TUBE	1
5	SC03-005	SCREW – SD #8 X ½ PH PHD	2
6	21509	BRACKET - TUBE	1
7	24691	ASSY. – D.C. OFX-322 & 324 FILTER TUBE	1
8	21611	DISCONNECT – MALE	1
9	24695	ASSY. – D.C. OFX-323 & 322 HOSE	1
9	21753	. HOSE – SHORTENING DISCARD	1
10	21800	. VALVE – ¾ CHECK	1
11	FP01-089	. BUSHING-REDUCING 3/4M TO 1/2F BL	1
12	21612	. DISCONNECT – FEMALE	1
13	16807	. FITTING – CONNECTOR – MALE	2
14	73243	ASSY. – D.C. OFX-322 & 324 RETURN TUBE(12/1/06 & after)	1
14	24694	ASSY. – D.C. OFX-322 & 324 RETURN TUBE (Before 12/1/06)	1
14	21739	. TUBE-D.C. OFX-32X RETURN	1
15	FP01-082	. CONNECTOR – 3/8 TUBE TO ½ NPT SS	1

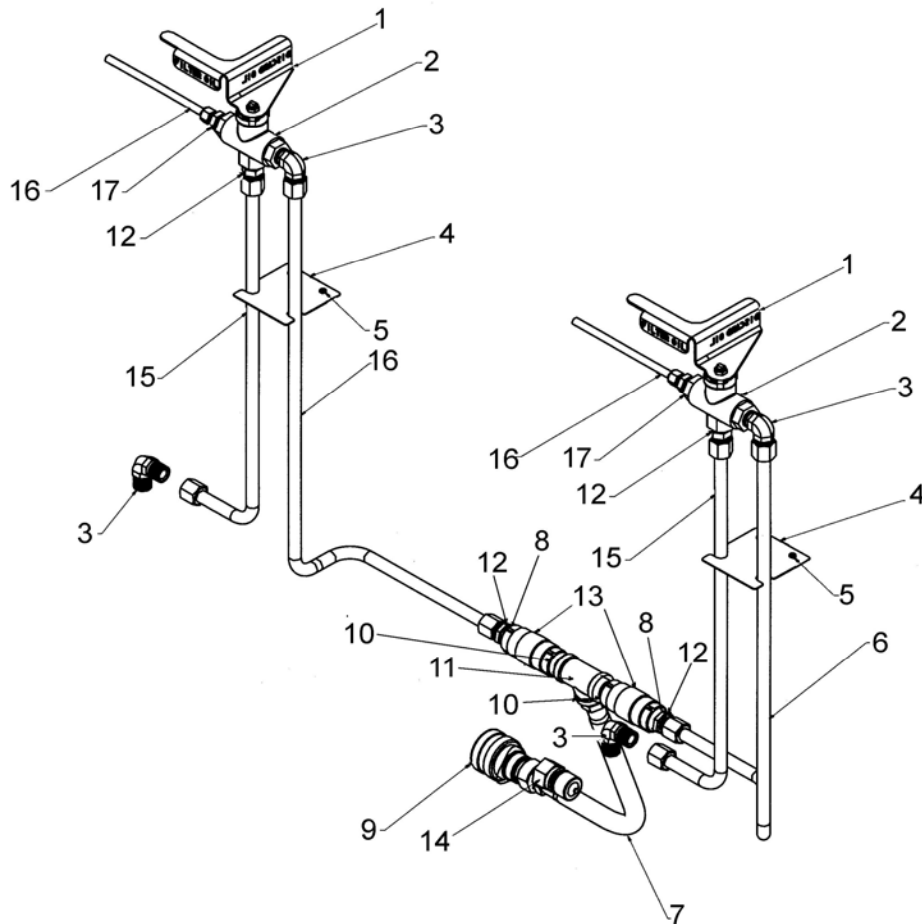


Figure 3-16. OFX-324 Optional Direct Connect Parts

ITEM NO.	PART NO.	DESCRIPTION	QTY. PER UNIT
	14859	KIT – DIRECT-CONNECT OFX-324 (12/1/06 & AFTER)	1
	14364	KIT – DIRECT-CONNECT OFX-324 (BEFORE 12/1/06)	1
1	21439	HANDLE – DIVERTER VALVE	2
2	21613	VALVE - DIVERTER	2
3	17407	CONNECTOR – ½ MALE ELBOW	4
4	21509	BRACKET - TUBE	2
5	SC03-005	SCREW – SD #8 X ½ PH PHD	4
6	24713	ASSY. – D.C. OFX-324 DISCARD – LH TUBE	1
6	24714	ASSY. – D.C. OFX-324 DISCARD – RH TUBE	1
7	24715	ASSY. – D.C. OFX-324 HOSE	1
7	21753	. HOSE – SHORTENING DISCARD	1
8	FP01-089	. BUSHING-REDUCING 3/4M TO 1/2F BI	2
9	21612	. DISCONNECT – FEMALE	1
10	16282	. NIPPLE – ¾ X CLOSE	2
11	FP01-097	. TEE-3/4 NPT FEMALE PIPE BI	1
12	16807	. FITTING – CONNECTOR – MALE	4
13	21800	. VALVE – ¾ CHECK	2
14	21611	DISCONNECT – MALE	1
15	24691	ASSY. – D.C. OFX-322 & 324 FILTER TUBE	1
16	73254	ASSY. – D.C. OFX-322 & 324 RETURN TUBE(12/1/06 & after)	1
16	24694	ASSY. – D.C. OFX-322 & 324 RETURN TUBE (Before 12/1/06)	1
16	21739	. TUBE-D.C. OFX-32X RETURN	1
17	FP01-082	. Connector – 3/8 tube to ½ NPT SS	1

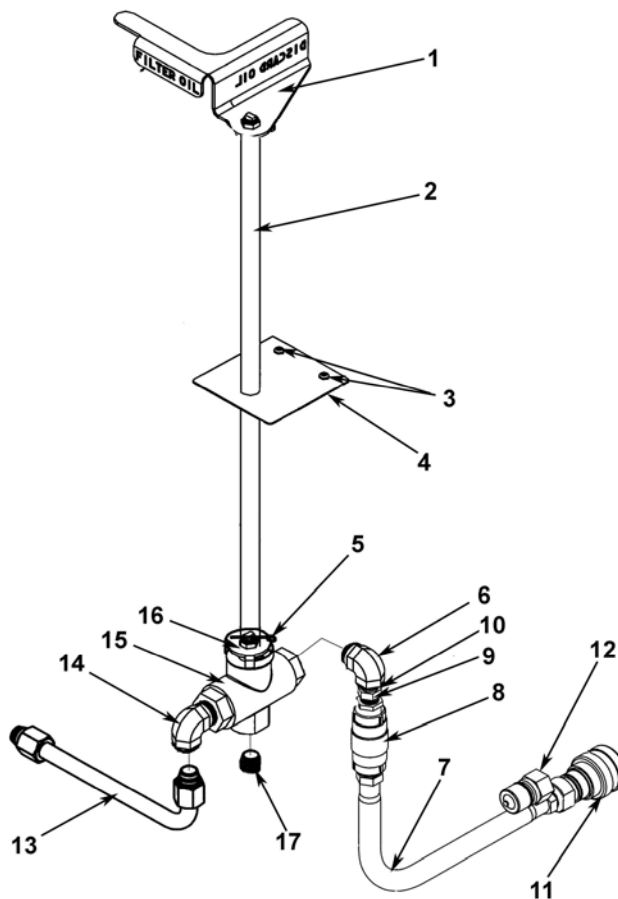


Figure 3-17. OFX-321 Optional Direct Connect Parts

ITEM NO.	PART NO.	DESCRIPTION	QTY. PER UNIT
	14625	KIT – DIRECT-CONNECT – OFX-321	1
1	21439	HANDLE – DIVERTER VALVE	1
2	67493	ROD – D/C EXTENSION	1
3	SC03-005	SCREW – SD #8 X ½ PH PHD	2
4	67671	BRACKET – EXTENSION ROD	1
5	PN01-001	PIN – COTTER – 3/32 X 1-1/4 S	1
6	FP01-088	ELBOW – STREET – ½ X 90 BL IRON	1
7	67662	ASSY. – DIRECT-CONNECT HOSE - 321	1
7	21753	. HOSE – SHORTENING DISCARD	1
8	21800	. VALVE – ¾ CHECK	1
9	FP01-089	. BUSHING-REDUCING 3/4M TO 1/2F BI	1
10	FP01-023	. NIPPLE – 1/2 INCH CLOSE BLACK	1
11	21612	. DISCONNECT – FEMALE	1
12	21611	DISCONNECT – MALE	1
13	67672	ASSY – TUBE POT TO PUMP – OFG-321	1
13	67674	ASSY – TUBE POT TO PUMP – OFE-321	1
14	17407	CONNECTOR – ½ MALE ELBOW	1
15	21613	VALVE - DIVERTER	1
16	67492	STOP – D/C EXTENSION ROD	1
17	FP01-023	NIPPLE – 1/2 INCH CLOSE BLACK	1
18*	FP01-015	PLUG – PIPE	1

*not shown