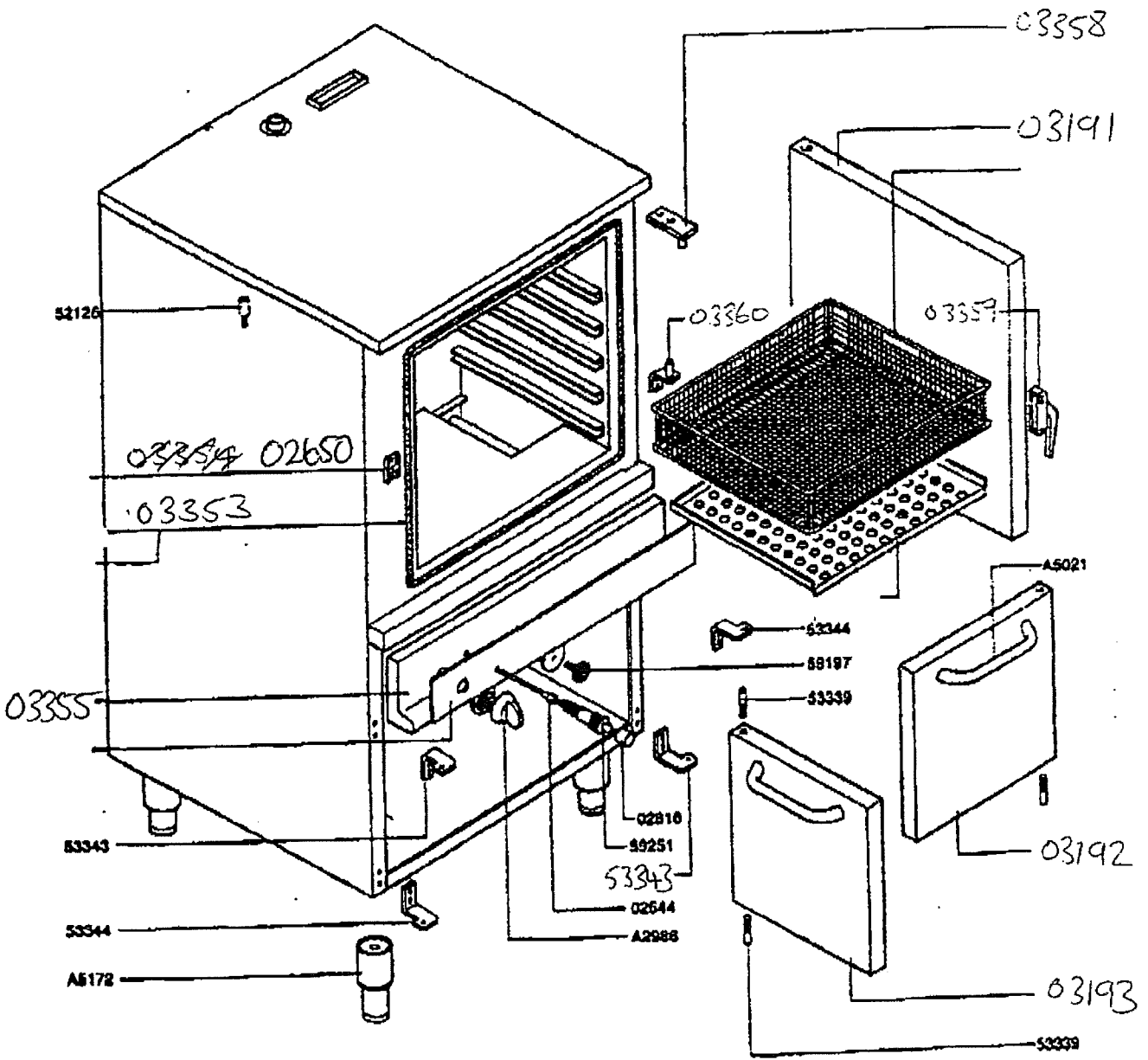


2

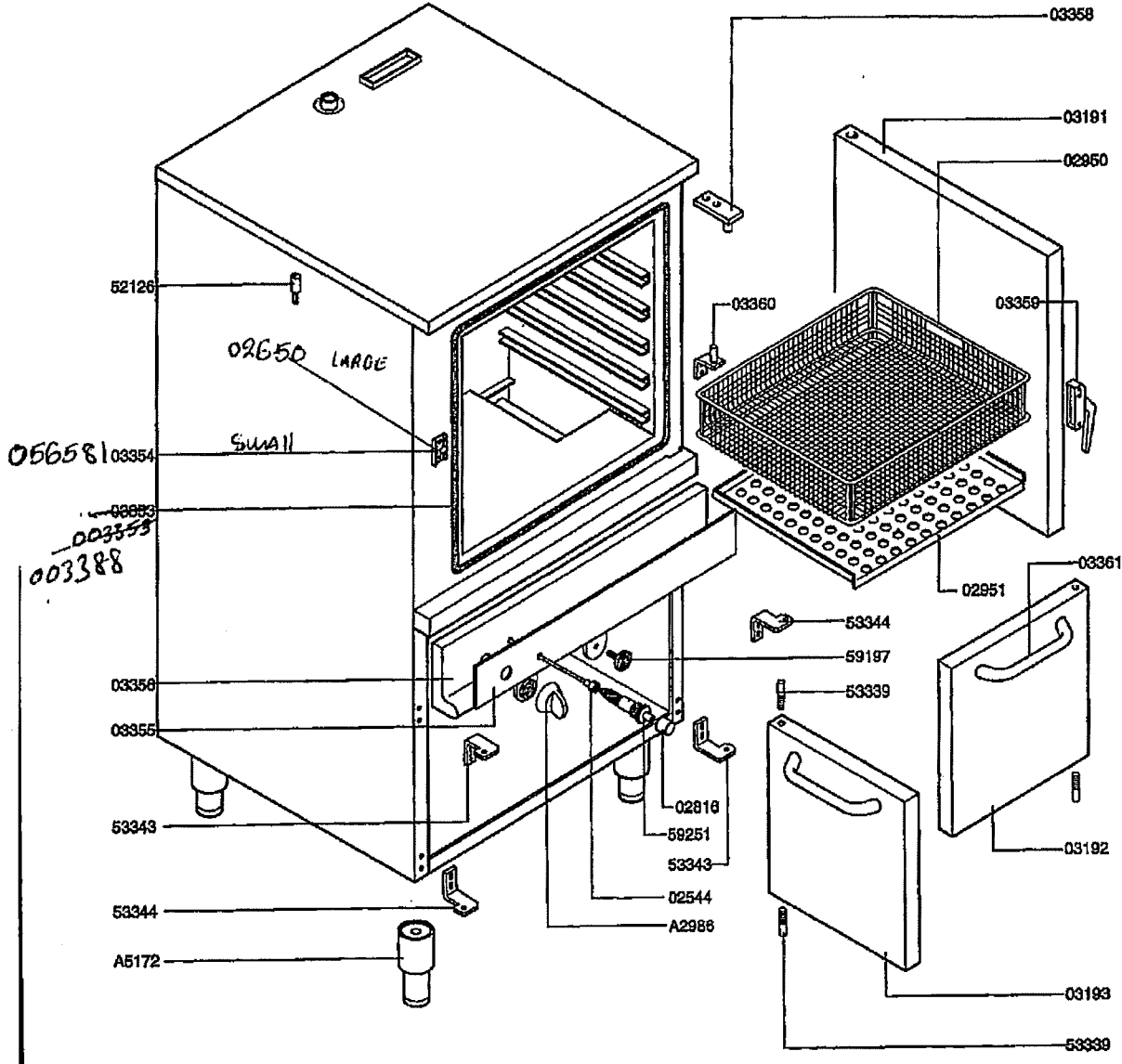
698476990

8-JUN-95 9:16 AM 56-NM-9



700° FORNO CON GENERATORE DI VAPORE GAS OVEN WITH GAS STEAMER								58	REF. Da matricola REF. From serial N°
a	b	c	d	e	f	g	h		
176 502									
XFG/G 700									

311.01-0



"700" OVEN WITH GAS STEAMER FORNO CON GENERATORE DI VAPORE GAS								SB	REF. RIF.	From serial Nr Da matricola
a	b	c	d	e	f	g	h			
176 502									436...	
XFV/G 700										

Model: 176502

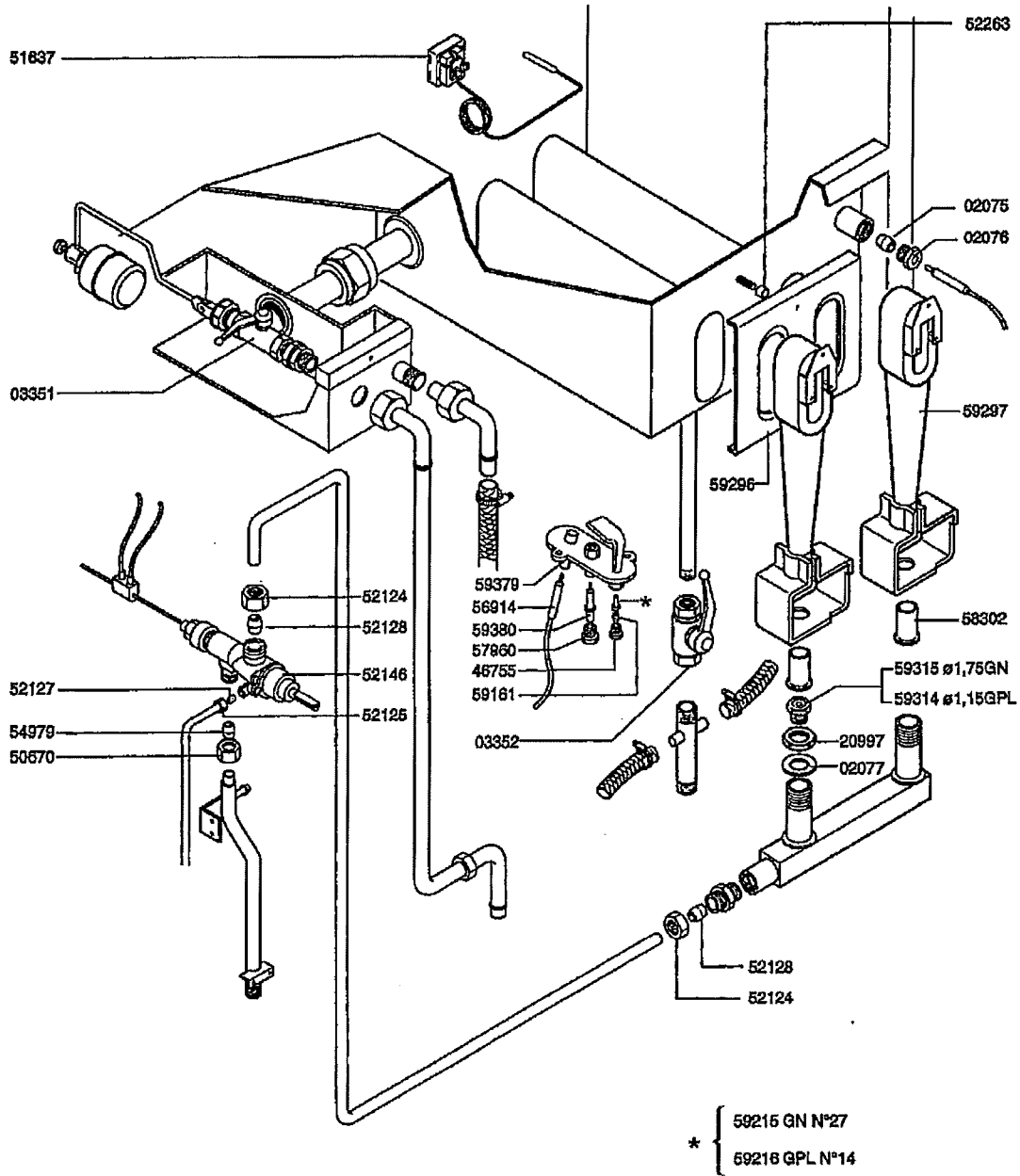
Table: 3-31001 pag.2/2

Code	Description	Notes	Price (***)
002075	GASKET		34A
002076	CONNECTION		38A
002077	WASHER		04A
003351	VALVE		34B
003352	VALVE		01C
020997	LOCK NUT		01A
046755	CONNECTION		01A
050670	NUT		25A
051637	S SAFETY THERMOSTAT		42B
052124	NUT		13A
052125	S CONNECTION		01A
052127	S DOBLE CONE		01A
052128	RING		01A
052146	S SECURITY TAP		43B
052263	SPACER		01A
054979	DOBLE CONE		01A
056914	S THERMOCOUPLE		25B
057960	CONNECTION		02A
058302	BUSH		35A
059161	DOBLE CONE		01A
059215	S NOZZLE		08A
059216	S NOZZLE		23A
059296	CONVEYOR		02B
059297	BURNER		39B
059314	NOZZLE		07A
059315	NOZZLE		07A
059379	S BURNER		46A
059380	S ELECTRODE		23A

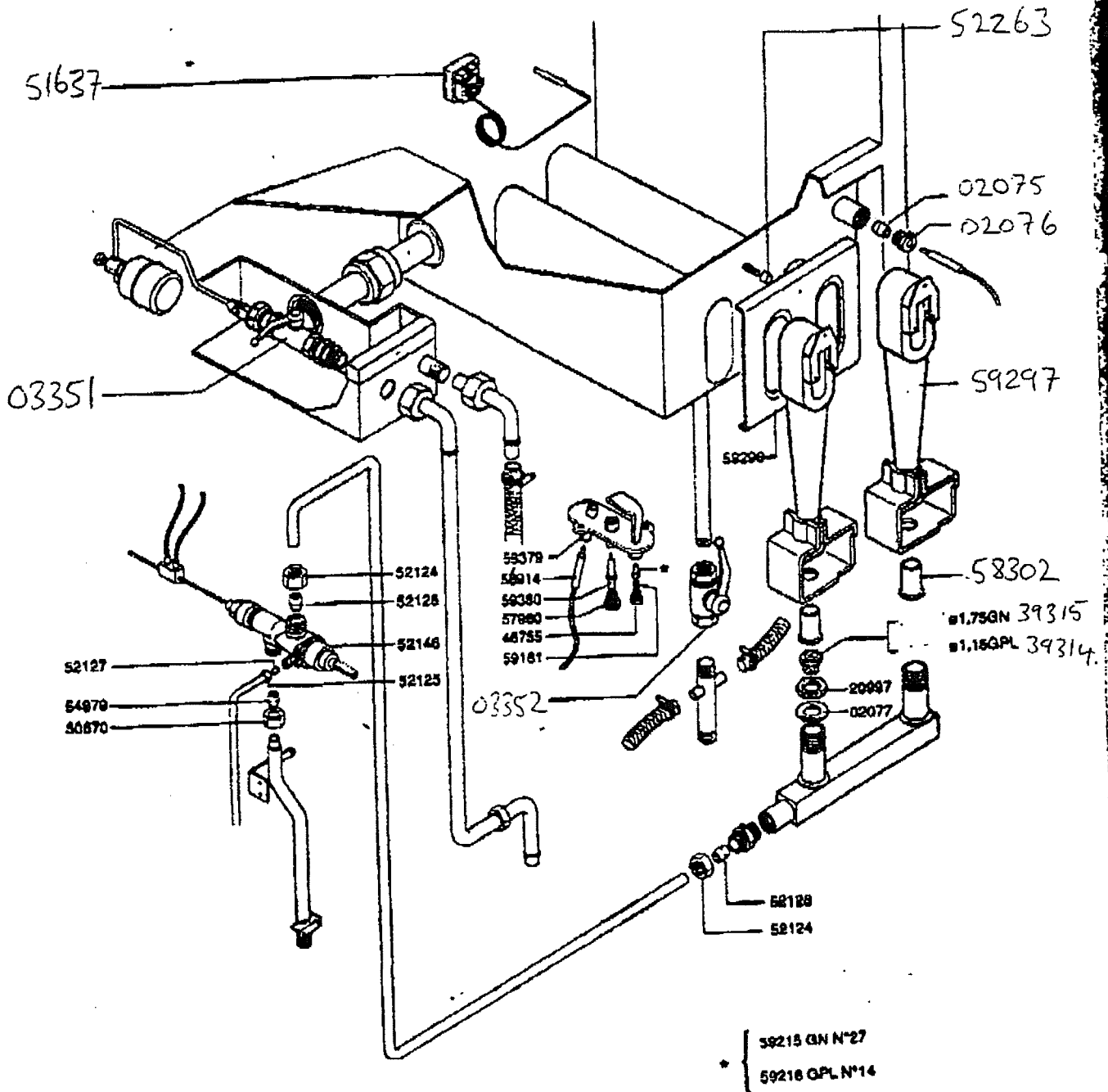
Model: 176502

Table: 3-31001 pag.1/2

Code	Description	Notes	Price (***)
002544	S CABLE		45A
002816	COVERING		17A
002950			
002951			
003191	DOOR		05D
003192	DOOR	Substituted by 003191	05D
003193	DOOR	Substituted by 003191	05D
003353	GASKET		24C
003354	CATCH		46A
003355	PANEL		44B
003356	PANEL		45B
003358	HINGE		32B
003359	S HANDLE		24C
003360	HINGE		39B
003361	S HANDLE		44B
052126	STOPPING PIN		01A
053339	PIN		01A
053343	HINGE		24A
053344	HINGE		24A
059197	S MAGNET	Techn. bulletin 02001	47A
059251	S LIGHTER	Techn. bulletin 02005	40A
0A2986	S KNOB		45A
0A5172	FOOT		18B



"700" OVEN WITH GAS STEAMER FORNO CON GENERATORE DI VAPORE GAS								REF.	From serial Nr
a	b	c	d	e	f	g	h	RIF.	Da matricola
176 502									436...
XFV/G 700									



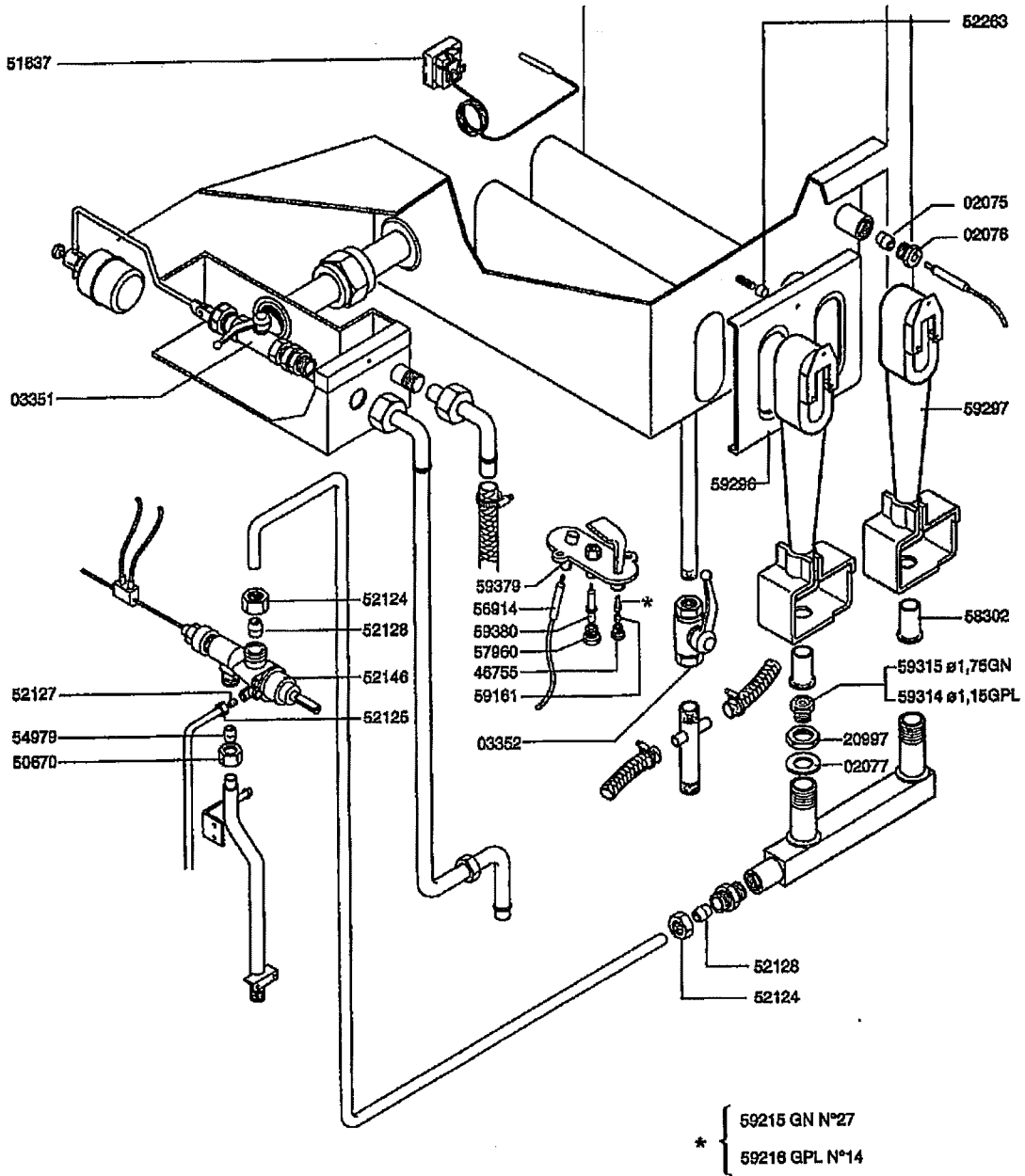
"700" FORNO CON GENERATORE DI VAPORE GAS OVEN WITH GAS STEAMER								REP. Da matricola REF. From serial N°
a	b	c	d	e	f	g	h	
176 502								
XFVAG 700								

**A 311.02-0**

Model: 176502

Table: 3-31001 pag.2/2

Code	Description	Notes	Price (***)
002075	GASKET		34A
002076	CONNECTION		38A
002077	WASHER		04A
003351	VALVE		34B
003352	VALVE		01C
020997	LOCK NUT		01A
046755	CONNECTION		01A
050670	NUT		25A
051637	S SAFETY THERMOSTAT		42B
052124	NUT		13A
052125	S CONNECTION		01A
052127	S DOBLE CONE		01A
052128	RING		01A
052146	S SECURITY TAP		43B
052263	SPACER		01A
054979	DOBLE CONE		01A
056914	S THERMOCOUPLE		25B
057960	CONNECTION		02A
058302	BUSH		35A
059161	DOBLE CONE		01A
059215	S NOZZLE		08A
059216	S NOZZLE		23A
059296	CONVEYOR		02B
059297	BURNER		39B
059314	NOZZLE		07A
059315	NOZZLE		07A
059379	S BURNER		46A
059380	S ELECTRODE		23A



"700" OVEN WITH GAS STEAMER FORNO CON GENERATORE DI VAPORE GAS								REF. RIF.	From serial Nr Da matricola
a	b	c	d	e	f	g	h		
176 502									436...
XFV/G 700									

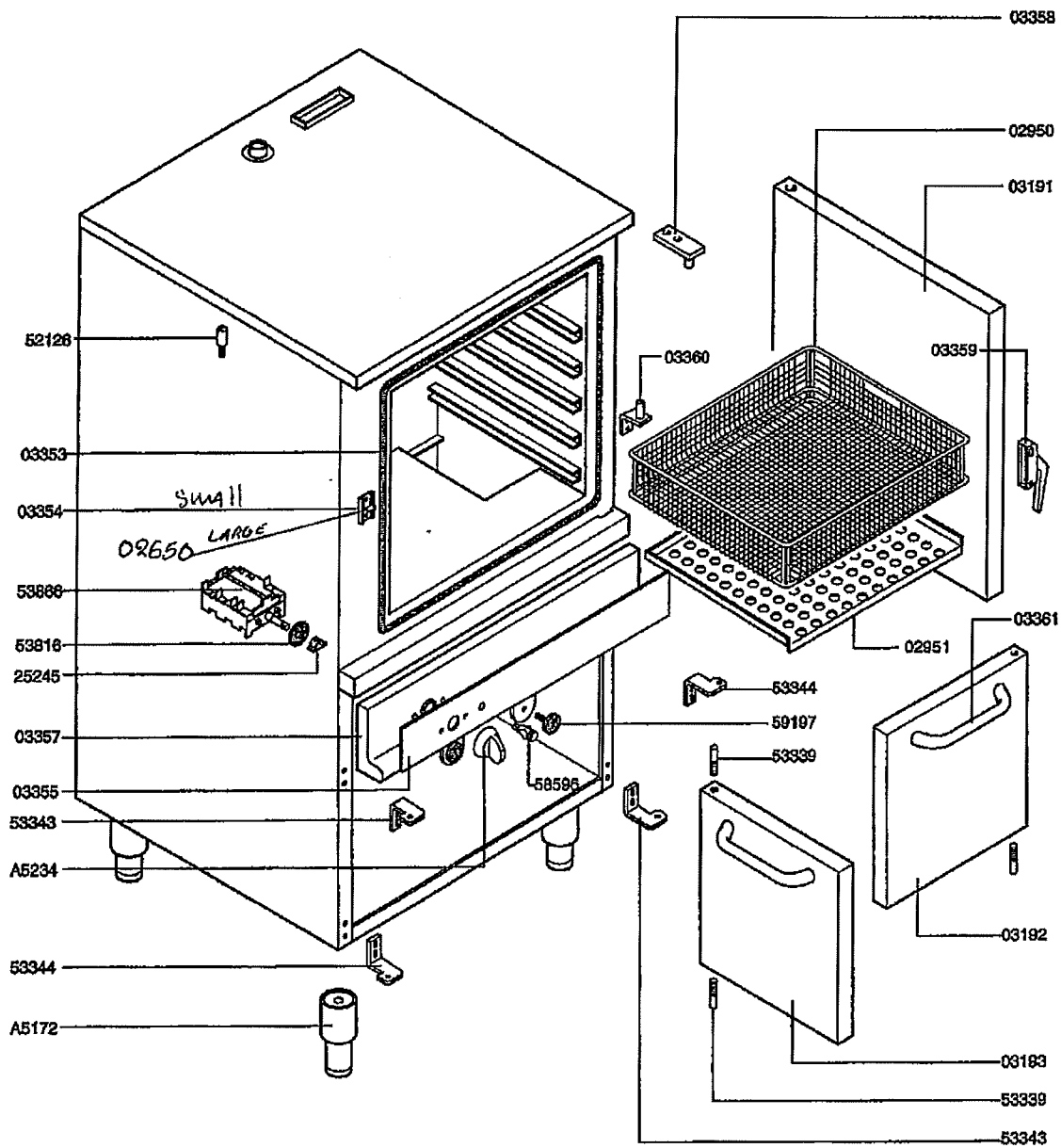


Model: 176503

Table: 3-31002 pag.1/2

Code	Description	Notes	Price (***)
002950			
002951			
003191	DOOR		05D
003192	DOOR	Substituted by 003191	05D
003193	DOOR	Substituted by 003191	05D
003353	GASKET		24C
003354	CATCH		46A
003355	PANEL		44B
003357	PANEL		45B
003358	HINGE		32B
003359	S HANDLE		24C
003360	HINGE		39B
003361	S HANDLE		44B
025245	S SPRING		01A
052126	STOPPING PIN		01A
053339	PIN		01A
053343	HINGE		24A
053344	HINGE		24A
053816	GASKET		09A
053866	S CHANGE OVER SWITCH		40B
058596	S LAMP		32A
059197	S MAGNET	Techn. buillettin 02001	47A
0A5172	FOOT		18B
0A5234	S KNOB		41A

Model: 176503



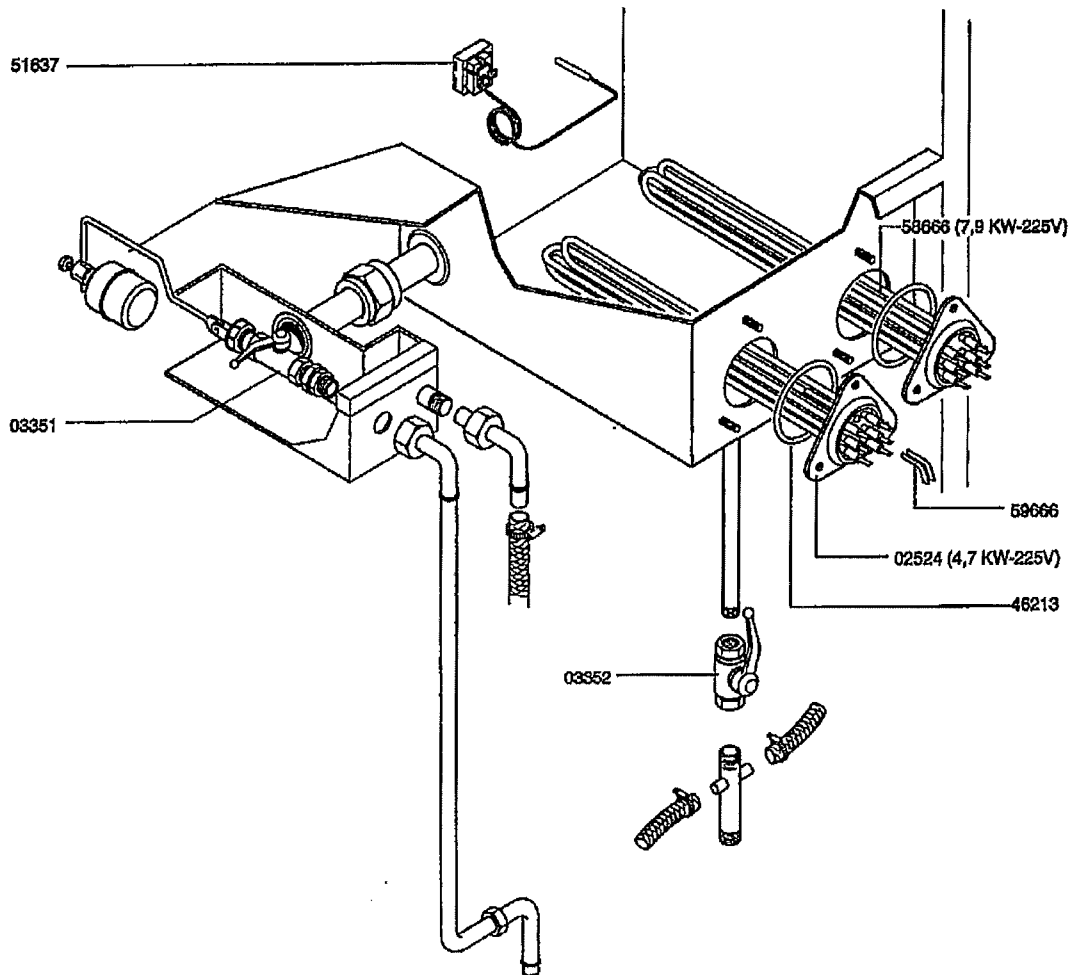
*700* OVEN WITH ELECTRIC STEAMER FORNO CON GENERATORE DI VAPORE ELETTRICO							SB	REF. RIF.	From serial Nr Da matricola
a	b	c	d	e	f	g	h		436...
176 503									
XFV/E 700									

Issued 95-10

Pag 1/2

~~2-03-302~~

3-31 002



"700" OVEN WITH ELECTRIC STEAMER FORNO CON GENERATORE DI VAPORE ELETTRICO								REF. RIF.	From serial Nr Da matricola
a	b	c	d	e	f	g	h		
176 503									436...
XFV/E 700									

Issued 95-10

Pag. 2 ~~2-03-802~~

3-31 002

Model: 176503

Table: 3-31002 pag.2/2

Code	Description	Notes	Price (***)
002524 S	HEATING ELEMENT		42B
003351	VALVE		34B
003352	VALVE		01C
046213 S	GASKET	Substituted by 067620	21A
051637 S	SAFETY THERMOSTAT		42B
058666 S	HEATING ELEMENT		04C
059666	STOPPING		14A