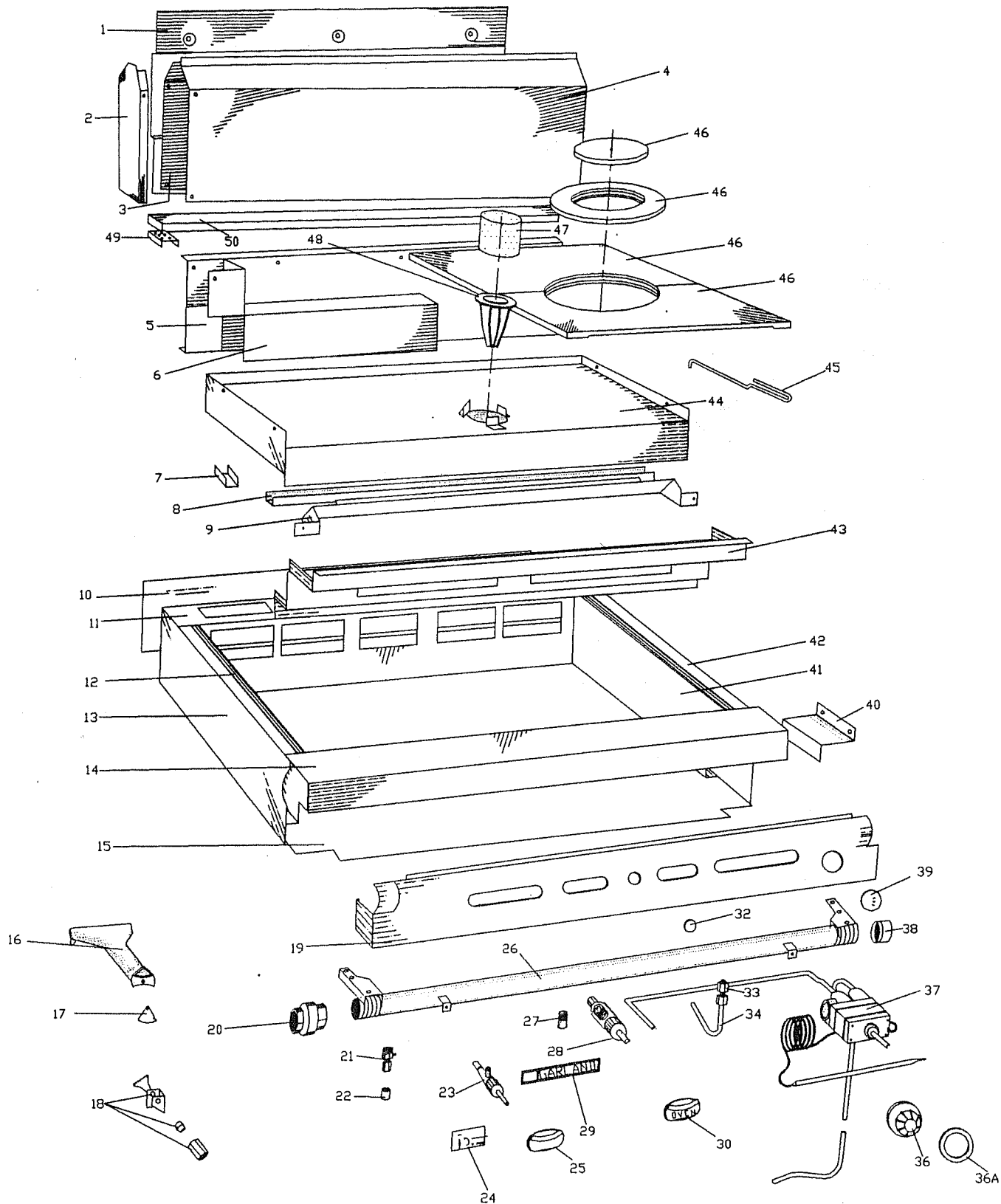


GARLAND HEAVY DUTY RANGE HOT TOP SECTION

MODELS 45-40, 50, 40E, R, S, AND T.



GARLAND PARTS IDENTIFICATION

HEAVY DUTY RANGE HOT TOP SECTION

MODELS 45-40, 50, 40E, R, S, AND T.

ITEM	PART NO.	DESCRIPTION	45-40R	45-50R	45-40ER	45-40S	45-50S	45-40ES	45-40T	45-50T	45-40ET
1	G0549-1-7	Backguard Radiation Shield	1	1	1	1	1	1	1	1	1
2	G0557-1-9	Backguard Bracket	2	2	2	2	2	2	2	2	2
3	G0558-34-6	Backguard Back	1	1	1	1	1	1	1	1	1
4	G0559-34-9	Backguard Front	1	1	1	1	1	1	1	1	1
5	G7341-1-6	Rear Radiation Shield	1	1	1	1	1	1	1	1	1
6	G7343-40-8	Concealed Flue Diverter Box	1								
7	G0169-1-82	Concealed Flue Diverter Box L/H			1						
8	G1705-2-9	Element Spacer Clamp	1	1	1	1	1	1	1	1	1
8	G6307-1-5	Burner Box Brick Post Support	1	1	1	1	1	1	1	1	1
9	G0455-01-8	Top Burner Air Shield Assy.	1	1	1	1	1	1	1	1	1
10	G6291-1-7	Burner Box Back	1			1					
	G6232-1-7	Burner Box Back		1			1				
	G0168-1-7	Burner Box Back			1			1			
	G1916-34-7	Burner Box Back							1	1	
	G0542-34-7	Burner Box Back									1
11	G7331-40-7	Back Top	1			1			1		
12	G7331-10-7	Back Top			1			1			1
12	G0453-1-62	Side Radiation Shield L/H	1	1	1	1	1	1	1	1	1
13	G6118-01-82	Burner Box Side Assy. L/H	1			1			1		
	G6046-01-82	Burner Box Side Assy. L/H		1			1			1	
	G1983-02-82	Burner Box Side Assy. L/H			1		1				1
14	G079-01-8	Front Top Assy.	1	1	1	1	1	1	1	1	1
15	G6053-1-8	Burner Box Bottom	1	1	1	1	1				
	G0167-1-8	Secondary Burner Box Bottom			1		1				1
	G047-1-8	Burner Box Bottom						1			
	G047-3-8	Burner Box Bottom									1
16	G3575	Top Burner (<i>Specify Gas</i>)	6	6	6	6	6	6	6	6	6
17	G4155	Air Shutter	12	12	12	12	12	12	12	12	12
18	G0526	2C-2 Pilot (<i>Specify Gas</i>)	4	4	4	4	4	4	4	4	4
19	G01588-19-9	Valve Panel	1	1		1	1				
	G01588-20-9	Valve Panel			1			1	1	1	1
	G0175-1-9	Secondary Valve Panel			1			1			
	G0175-2-9	Secondary Valve Panel									1
20	G7075	Union Joint (1 1/4)	1	1	1	1	1	1	1	1	1
21	G6928-1	Gum Valve - 1/8 x 3/16 cc.	1	1	1						
22	G02340-1	Combination Bushing 9/16 - 27				1	1	1	1	1	1
23	G4447	Top Burner Valve (<i>Specify Gas</i>)	6	6	6	6	6	6	6	6	6
24	G6806	On-Off Plate	1	1	1	1	1	1	1	1	1
25	1089100	Top Burner Valve Handle	6	6	6	6	6	6	6	6	6
26	G0524-01	Manifold Assy.	1	1	1	1	1	1	1	1	1
27	G01747-1	Pipe Plug - 1/8 NPT.				1	1	1	1	1	1
28	G4416-2	Oven Valve	1	1	1						

FUNCTIONAL PARTS ARE PRICED ON PRICE LIST. ALL OTHER PARTS, PRICE ON APPLICATION.

GARLAND PARTS IDENTIFICATION

HEAVY DUTY RANGE HOT TOP SECTION

MODELS 45-40, 50, 40E, R, S, AND T.

ITEM	PART NO.	DESCRIPTION	45-40R	45-50R	45-40ER	45-40S	45-50S	45-40ES	45-40T	45-50T	45-40ET
29	9004500	Garland Name Plate							1	1	1
30	1089101	Oven Burner Valve Handle	1	1	1						
31	G0654-1	Tube - 7/16 x 20 3/4 (Oven Valve to Safety)	1	1	1						
32	1473303	Plug Button - 7/8				1	1	1	1	1	1
33	G6809	Gum Valve - 1/8 x 1/4 cc.	4	4	4	4	4	4	4	4	4
34	G0508-1-8	Pilot Tube - 1/4 x 9 5/16	4	4	4	4	4	4	4	4	4
35	G0273-40	Tube - 7/16 x 35 1/2 (Safety Valve to FD Control)	1	1							
	G0273-10	Tube 3/16 x 37 7/8 (Safety Valve to FD Control)			1						
36	G02716-3	Dial - 150° F to 550° F	1	1	1						
	G02725-16	- 70° C to 260° C (Opt.)	1	1	1						
36A	G02725-6	Insert	1	1	1						
37	G03145-048	Oven Thermostat Assy.	1	1	1						
38	G02335-1	Pipe Cap - 1 1/4 (Opt.)	1	1	1	1	1	1	1	1	1
39	1473302	Plug Button - 2"				1	1	1	1	1	1
40	G0454-1-6	Thermostat Heat Shield	1	1	1						
41	G0453-1-61	Side Radiation Shield R/H	1	1	1	1	1	1	1	1	1
42	G6118-01-81	Burner Box Side Assy. R/H	1			1		1		1	
	G6046-01-81	Burner Box Side Assy. R/H		1			1			1	
	G1983-02-81	Burner Box Side Assy. R/H			1			1			1
43	G0449-1-6	Top Burner Housing	1	1	1	1	1	1	1	1	1
44	G0450-01-6	Radiation Pan Assy.	1	1	1	1	1	1	1	1	1
45	G6308-1-8	Lid Lifter	1	1	1	1	1	1	1	1	1
46	G6117-01	Key Plate Assy.	2		2	2	2	2	2	2	2
	G6116-01	Key Plate Assy.		2			2			2	
47	G01275-1	Alumдум Support	1	1	1	1	1	1	1	1	1
48	G02398-1	Brick Post Support	1	1	1	1	1	1	1	1	1
49	G0173-1-8	Filler Channel			2			2			2
50	G6293-10-8	Back Top Cover Plate			1			1			1

FUNCTIONAL PARTS ARE PRICED ON PRICE LIST. ALL OTHER PARTS, PRICE ON APPLICATION.