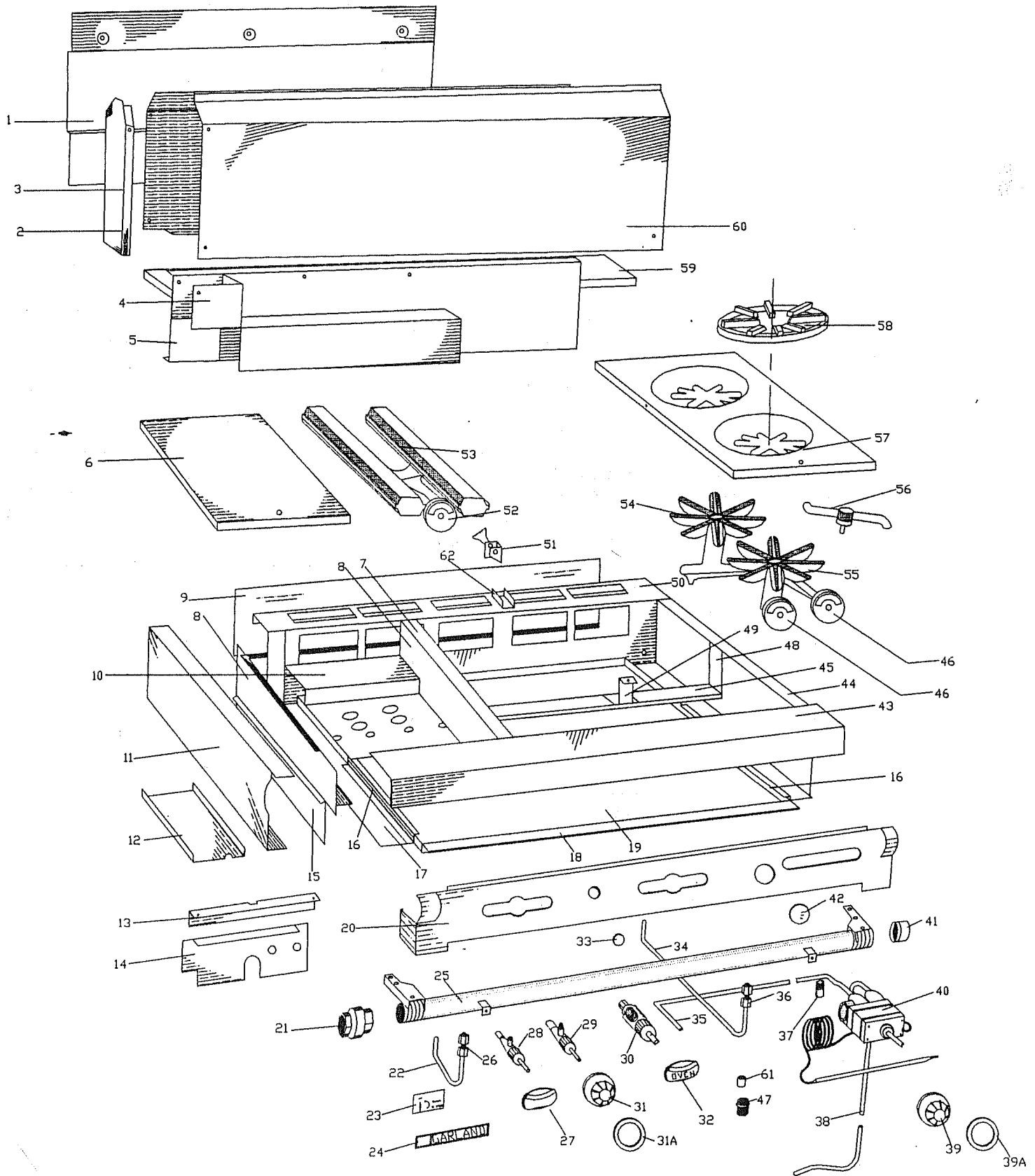


GARLAND HEAVY DUTY RANGE

HOT TOP AND OPEN TOP SECTION

MODELS 43-40, 50, 40E, R, S, AND T



GARLAND PARTS IDENTIFICATION

HEAVY DUTY RANGE HOT TOP AND OPEN TOP SECTION MODELS 43-40, 50, 40E, R, S AND T.

ITEM	PART NO.	DESCRIPTION	43-R	43-S	43-T	1- HOT TOP	2- HOT TOP
1	G0549-1-7	Backguard Radiation Shield	1	1	1		
2	G0557-1-9	Backguard Bracket	2	2	2		
3	G0558-34-6	Backguard Back	1	1	1		
4	G7343-40-8	Concealed Flue Diverter Box (40-Ser.)	1				
	G0169-1-82	Concealed Flue Diverter Box L/H (40E-Ser.)	1				
	G0169-1-81	Concealed Flue Diverter Box R/H (Opt.) (40E-Ser.)	1				
5	G7341-1-6	Rear Radiation Shield	1	1	1		
6	G6272	Hot Top				1	2
7	G01633-1-8	Top Grate Support	2	2	2	2	1
8	G7325-3-6	Side Aeration Shield				2	2
9	G7248-15-7	Burner Box Back (40-Ser.)	1	1			
	G7248-18-7	Burner Box Back (40E-Ser.)	1	1			
	G7248-16-7	Burner Box Back (40-Ser.)			1		
	G7248-23-7	Burner Box Back (40E-Ser.)			1		
10	G7326-1-6	Bottom Aeration Shield				1	
	G7326-2-6	Bottom Aeration Shield					1
11	G6118-01-82	Burner Box Side Assy. L/H (40-Ser.)	1	1	1		
	G1983-02-82	Burner Box Side Assy. L/H (40E-Ser.)	1	1	1		
12	G7327-1-6	Centre Aeration Shield					1
13	G0491-3-6	Front Radiation Shield Support				1	
	G0491-2-61	Front Radiation Shield Support R/H (Opt.)					1
14	G0489-1-6	Front Radiation Shield				1	
	G0490-2-6	Front Radiation Shield L/H					1
	G0490-1-6	Front Radiation Shield R/H (Opt.)					1
15	G7338-1-6	Side Radiation Shield				1	1
16	G01018-1-7	Drip Tray Guide	2	2	2		
17	G6053-1-8	Burner Box Bottom	1	1			
	G047-1-8	Burner Box Bottom (40-Ser.)			1		
	G047-3-8	Burner Box Bottom (40E-Ser.)			1		
	G0167-1-8	Secondary Burner Box Bottom (40E-Ser.)	1	1	1		
18	G6544-30	Drip Pan Handle	1	1	1		
19	G7344-1-8	Drip Pan	1	1	1		
20	G01588-17-9	Valve Panel	1	1	1		
	G0175-1-9	Secondary Valve Panel (40E-Ser.)	1	1			
	G0175-2-9	Secondary Valve Panel (40E-Ser.)			1		
	G01588-14-9	Valve Panel				1	
	G01588-15-9	Valve Panel (Opt.)				1	
	G01588-13-9	Valve Panel					1
	G01588-18-9	Valve Panel (Opt.)					1

FUNCTIONAL PARTS ARE PRICED ON PARTS LIST. ALL OTHER PARTS, PRICE ON APPLICATION.

GARLAND PARTS IDENTIFICATION

HEAVY DUTY RANGE HOT TOP AND OPEN TOP SECTION MODELS 43-40, 50, 40E, R, S AND T.

ITEM	PART NO.	DESCRIPTION	43-R	43-S	43-T	1- HOT TOP	2- HOT TOP
21	G7075	Union Joint (1 1/4)	1	1	1		
22	G0640-1-8	Pilot Tube - 1/4 x 7" (Gum Valve to Pilot)				1	2
23	G6086	On-Off Plate	1	1	1		
24	9004500	Garland Nameplate	1	1	1		
25	G7352-01	Manifold Assy.	1	1	1		
26	G6809	Gum Valve 1/8 NPT. x 1/4 cc.				1	2
27	1089100	Top Burner Valve Handle	6	6	6		
28	G4447	Top Burner Valve (Specify Gas)	6	6	6		
29	G0115	Hi-Low Valve (Specify Gas)				1	2
30	G4416-2	Oven Valve	1				
31	G02716-2	Dial				1	2
31A	G02725-2	Insert				1	2
32	1089101	Oven Valve Handle	1				
33	1473303	Plug Button 7/8"		1	1		
34	1032617	Top Pilot Supply Tube 1/8 x 17"	3	3	3		
35	G7346-1-8	Tube - 7/16 x 19" (Oven Valve to FD Control)	1				
36	1086199	Gum Valve 1/8 NPT. x 1/8 cc.	3	3	3		
	1086597	Gum Valve 1/8 NPT. x 3/16 cc.	1				
37	G01747-1	Pipe Plug - 1/8 NPT.		2	2		
38	G7345-1	Tube 7/16 x 44" (Safety To FD Control) (40 & 50 Ser.)	1				
	G7345-2	Tube 7/16 x 46 3/8 (Safety To FD Control) (40E-Ser.)	1				
39	G02716-3	Dial 150° F to 550° F	1				
39A	G02725-16	Insert	1				
	G02339-1	Dial (Opt.)	1				
39A	G02725-6	Insert	1				
40	G03145-048	Oven Thermostat Assy.	1				
41	G02335-1	Pipe Cap 1 1/4 (Opt.)	1	1	1		
42	1473302	Plug Button 2"		1	1		
43	G079-01-8	Front Top Assy.	1	1	1		
44	G6118-01-81	Burner Box Side Assy. (40-Ser.)	1	1	1		
	G1983-02-81	Burner Box Side Assy. (40E-Ser.)	1	1	1		
45	G7339-1-8	Burner Rest	1	1	1		
46	1028000	Air Shutter	6	6	6		
47	G01918-4	Reducer Bushing 1/4 NPT. to 1/8 NPT.	3	3	3		
48	G7340-1-8	Burner Hanger	2	2	2		
49	G0232-1-8	Pilot Bracket	3	3	3		
50	G7331-40-7	Back Top (40-Ser.)	1	1	1		
	G7331-10-7	Back Top (40E-Ser.)	1	1	1		
51	G0635	Pilot 2C-2 (Specify Gas)				1	2
52	G4202-2	Air Shutter				1	2

FUNCTIONAL PARTS ARE PRICED ON PARTS LIST. ALL OTHER PARTS, PRICE ON APPLICATION.

GARLAND PARTS IDENTIFICATION

HEAVY DUTY RANGE HOT TOP AND OPEN TOP SECTION MODELS 43-40, 50, 40E, R, S AND T.

ITEM	PART NO.	DESCRIPTION	43-R	43-S	43-T	1- HOT TOP	2- HOT TOP
53	1014900	Griddle Burner				1	2
54	1089200	Rear Open Top Burner	3	3	3		
55	1089201	Front Open Top Burner	3	3	3		
56	1084500	Open Top Lighter Assy.	3	3	3		
57	G01460-1-8E	Top Grate (Used from Code 765)	3	3	3		
58	G5429E	Ring Grate (Used from Code 765)	3	3	3		
59	G6293-10-8	Back Top Cover Plate (40E-Ser.)	1	1	1		
60	G0559-34-9	Backguard Front	1	1	1		
61	G02340-1	Combination Bushing 9/16 - 27		1	1		
62	G1705-2-9	Element Clamp Spacer	1	1	1		

FUNCTIONAL PARTS ARE PRICED ON PARTS LIST. ALL OTHER PARTS, PRICE ON APPLICATION.