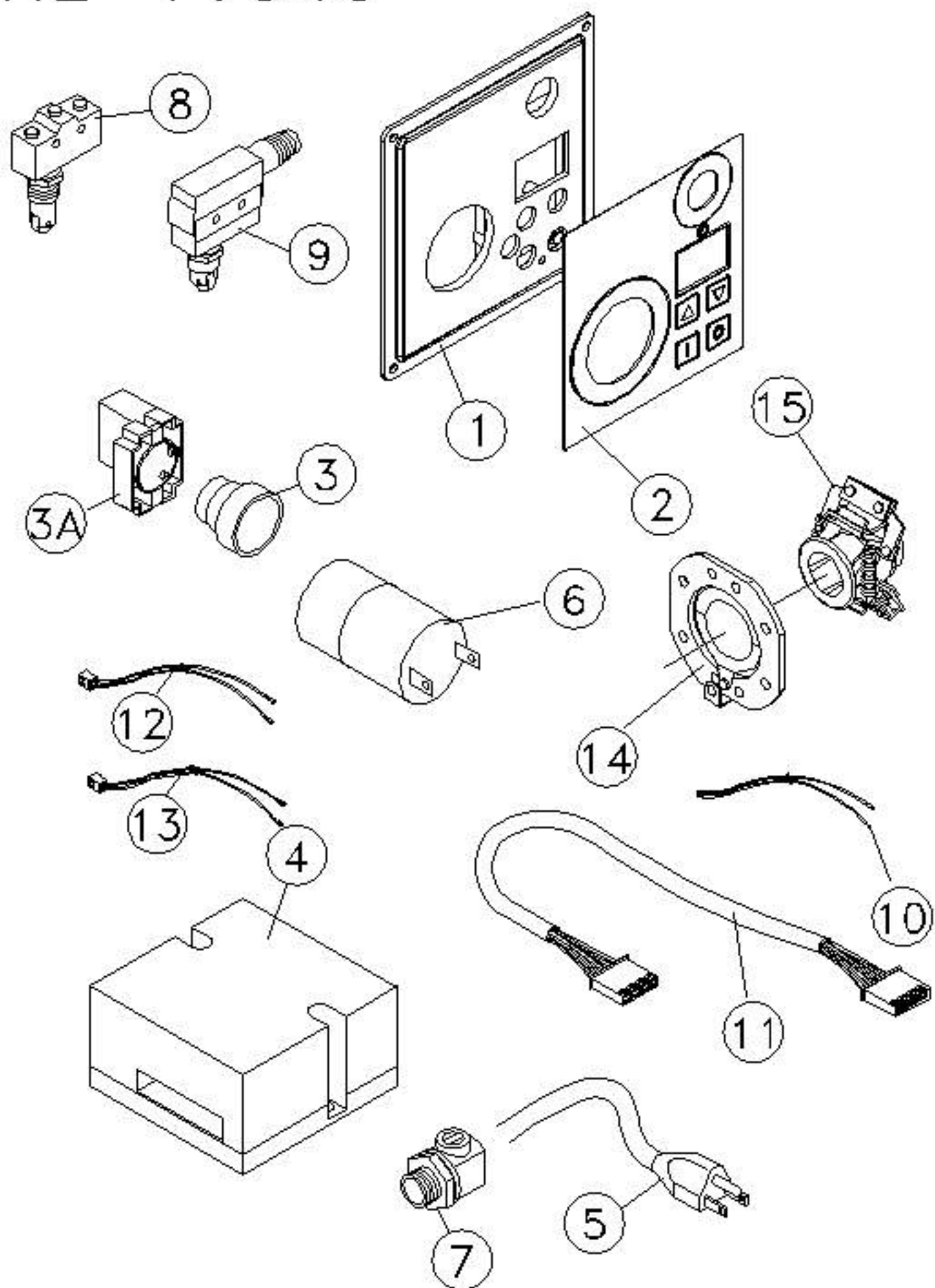


HL-11040



FM40 Digital Controls Parts List (2007 on)

FM40-HL-11040

Illus. No	Part No.	Description	Qty	Remark
1	11040-07-013	CONTROL PANEL W/BOX	1	
2	11032-07-013B-2	STICKER OF OF CONTROL PANEL	1	
3	CT CT-BS-54(RES)	EMERGENCY STOP-HEAD	1	
3A	CT CT-BZ103	RED BUTTON SWITCH-TERMINAL	1	
4	11040-E-001	POWER BOARD W/BOX 220V	1	SINGLE PHASE
5	CABEL-2-3C-CE	POWER CABLE	1	SINGLE PHASE
6	CP-400MF/250V	CAPACITOR	1	SINGLE PHASE
7	WF-GDT-AG-20	COLLAR	1	
8	Z15GQB	LIMIT SWITCH-LIFT	1	
9	Z15GQ22B	LIMIT SWITCH-GUARD	1	
10	XL-710-L1	INTERNAL WIRES(EMEGENCT STOP TO POWER BOARD)	1	
11	XL-710-L2	INTERNAL WIRES(PANEL TO POWER BOARD)	1	SINGLE PHASE
12	XL-710-L3	INTERNAL WIRES(LIMIT SWITCH TO LIFT)	1	
13	XL-710-L4	INERNAL WIRES(LIMIT SWITCH TO GUARD)	1	
14	11040-05-006/50HZ	CENTRIFUGAL GOVERNOR PLATE	1	SINGLE PHASE
15	11040-05-007/50HZ	CENTRIFUGAL GOVERNOR	1	SINGLE PHASE