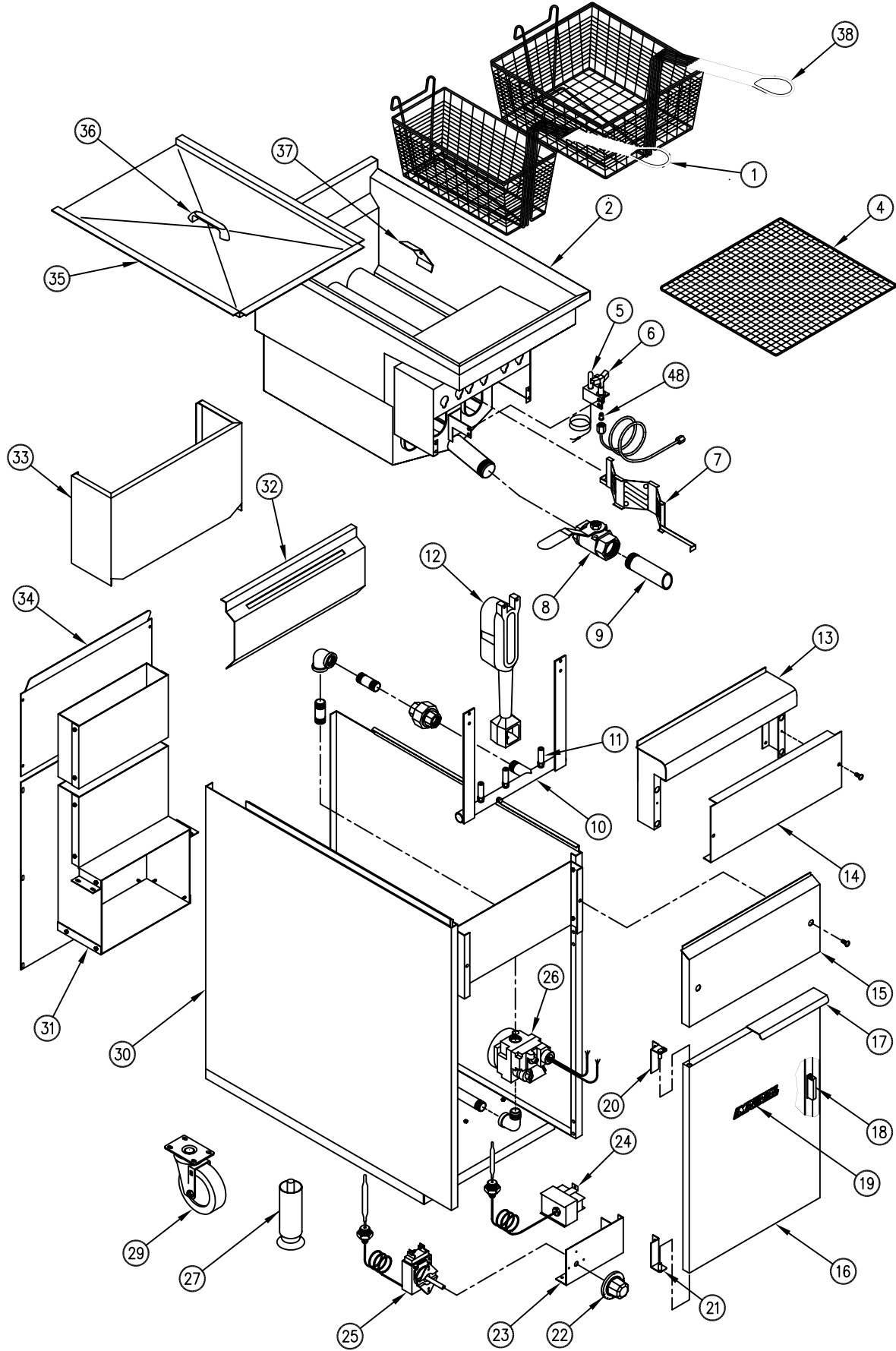


CIF SERIES FRYERS
REPLACEMENT PARTS FOR ALL CIF MODELS



CIF Series - Fryers

ITEM NO	DESCRIPTION	PART #	IFS 25	IFS 40	**IFS 50	IFS 75
1	FRYING BASKET (12 3/4 X 6 1/2 X 5 1/4)	2035	1	2	2	
	FRYING BASKET (17 X 8 1/4 X 5 3/4)	3068				2
2	VESSEL ASSEMBLY, COLD ROLLED STEEL (2 TUBE FRYER)	28197	1			
	VESSEL ASSEMBLY, STAINLESS STEEL (2 TUBE FRYER)	28194	1			
	VESSEL ASSEMBLY, COLD ROLLED STEEL (3 TUBE FRYER)	28020		1		
	VESSEL ASSEMBLY, STAINLESS STEEL (3 TUBE FRYER)	28005		1		
	VESSEL ASSEMBLY, COLD ROLLED STEEL (4 TUBE FRYER)	28103			1	
	VESSEL ASSEMBLY, STAINLESS STEEL (4 TUBE FRYER)	28102			1	
	VESSEL ASSEMBLY, COLD ROLLED STEEL (5 TUBE FRYER)	28114				1
	VESSEL ASSEMBLY, STAINLESS STEEL (5 TUBE FRYER)	28024				1
4	CRUMB SCREEN / FINE MESH (13 1/2 X 6 3/4)	3069	1			
	CRUMB SCREEN / FINE MESH (13 1/4 X 13 1/2)	2038		1	1	
	CRUMB SCREEN / FINE MESH (17 1/2 X 17 1/2)	3067				1
5	THERMOPILE	1096	1	1	1	1
6	PILOT BURNER, NATURAL GAS	1095-26	1	1	1	1
	PILOT BURNER, PROPANE GAS	1095-16	1	1	1	1
7	DIFFUSER	28026	2	3	4	5
8	DRAIN VALVE	1623	1	1	1	1
9	DRAIN EXTENSION	28019	1	1	1	1
10	GAS MANIFOLD (2 TUBE FRYER)	1380	1			
	GAS MANIFOLD (3 TUBE FRYER)	1365		1		
	GAS MANIFOLD (4 TUBE FRYER)	1366			1	
	GAS MANIFOLD (5 TUBE FRYER)	1375				1
11	ORIFICE, NATURAL GAS	1625-36	2	3	4	5
	ORIFICE, PROPANE GAS	1625-51	2	3	4	5
12	BURNER	1225	2	3	4	5
13	LANDING LEDGE FOR 25 (ONLY ON RANGE MATCH FRYER)	28009	1			
	LANDING LEDGE FOR 40/50 (ONLY ON RANGE MATCH FRYER)	28052		1	1	
	LANDING LEDGE FOR 75 (ONLY ON RANGE MATCH FRYER)	28078				1
14	FRONT PANEL FOR 25 (ONLY ON RANGE MATCH FRYER)	28063	1			
	FRONT PANEL FOR 40/50 (ONLY ON RANGE MATCH FRYER)	28036		1	1	
	FRONT PANEL FOR 75 (ONLY ON RANGE MATCH FRYER)	28083				1
15	FRONT PANEL FOR 25	28068	1			
	FRONT PANEL FOR 40/50	28034		1	1	
	FRONT PANEL FOR 75	28084				1
16	CABINET DOOR ASSEMBLY FOR 25 (INCLUDES NEXT 3 ITEMS)	28107	1			
	CABINET DOOR ASSEMBLY FOR 40/50 (INCLUDES NEXT 3 ITEMS)	28044		1	1	
	CABINET DOOR ASSEMBLY FOR 75 (INCLUDES NEXT 3 ITEMS)	28108				1
17	DOOR HANDLE	28046	1	1	1	1
18	DOOR MAGNET	1830	1	1	1	1
19	IMPERIAL LOGO	1205	1	1	1	1
	LOGO SPEED NUT	1027	2	2	2	2
20	UPPER DOOR HANGER	28048	1	1	1	1
21	LOWER DOOR HANGER	28050	1	1	1	1
22	OPERATING THERMOSTAT, KNOB ONLY	1176	1	1	1	1
23	THERMOSTAT/HI-LIMIT BRACKET	28076	1	1	1	1
24	HI-LIMIT SWITCH	1177	1	1	1	1
25	OPERATING T-STAT (HERMETICALLY SEALED REED SWITCH)	1175	1	1	1	1
26	COMB GAS VALVE, NATURAL GAS (WHITE-ROGERS)	1173	1	1	1	1
	COMB GAS VALVE, PROPANE GAS (ROBERTSHAW)	1174	1	1	1	1
27	CONE LEG WITH ADJUSTABLE FOOT, OLD STYLE	20130	2	4	4	4
	STAINLESS STEEL 6 5/8" STUD LEG WITH NYLON GLIDE (NEW)	30555	2	4	4	4
28	ADJUSTABLE FOOT	1045	2	4	4	4
29	CASTER	1060	1	2	2	2
	CASTER WITH BRAKES	1061	1	2	2	2
30	R/H SIDE PANEL FOR 25 AND 40/50	28030	1	1	1	
	L/H SIDE PANEL FOR 25 AND 40/50	28031	1	1	1	
	R/H SIDE PANEL FOR 75	28112				1
	L/H SIDE PANEL FOR 75	28113				1

CIF Series - Fryers

ITEM NO	DESCRIPTION	PART #	IFS 25	IFS 40	**IFS 50	IFS 75
31	UPPER FLUE ASSEMBLY (2 TUBE FRYER)	28238	1			
	LOWER FLUE ASSEMBLY (2 TUBE FRYER)	28239	1			
	UPPER FLUE ASSEMBLY (3 TUBE FRYER)	28061		1		
	LOWER FLUE ASSEMBLY (3 TUBE FRYER)	28064		1		
	UPPER FLUE ASSEMBLY (4 TUBE FRYER)	28110			1	
	LOWER FLUE ASSEMBLY (4 TUBE FRYER)	28111			1	
	UPPER FLUE ASSEMBLY (5 TUBE FRYER)	28118				1
	LOWER FLUE ASSEMBLY (5 TUBE FRYER)	28119				1
32	BASKET HANGER FOR 25	28229	1			
	BASKET HANGER FOR 40/50	28074		1	1	
	BASKET HANGER FOR 75	28079				1
33	VESSEL BACK PANEL FOR 25	28232	1			
	VESSEL BACK PANEL FOR 40/50	28056		1	1	
	VESSEL BACK PANEL FOR 75	28073				1
34	UPPER STRUCTURAL BACK FOR 25	28262	1			
	LOWER STRUCTURAL BACK FOR 25	28263	1			
	UPPER STRUCTURAL BACK FOR 40/50	28069		1	1	
	LOWER STRUCTURAL BACK FOR 40/50	28070		1	1	
	UPPER STRUCTURAL BACK FOR 75	28195				1
	LOWER STRUCTURAL BACK FOR 75	28196				1
35	VESSEL VAT COVER WITH HANDLE (23 5/8 X 6 1/8)	28264	1			
	VESSEL VAT COVER WITH HANDLE (23 5/8 X 15 1/2)	28085		1	1	
	VESSEL VAT COVER WITH HANDLE (27 5/8 X 17 7/8)	28109				1
36	HANDLE	1090	1	1	1	1
37	PROBE HOLDER BRACKET	28077	1	1	1	1
38	FULL SIZE FRYING BASKET FOR 40/50	2036		1	1	
	FULL SIZE FRYING BASKET FOR 75	2046				1