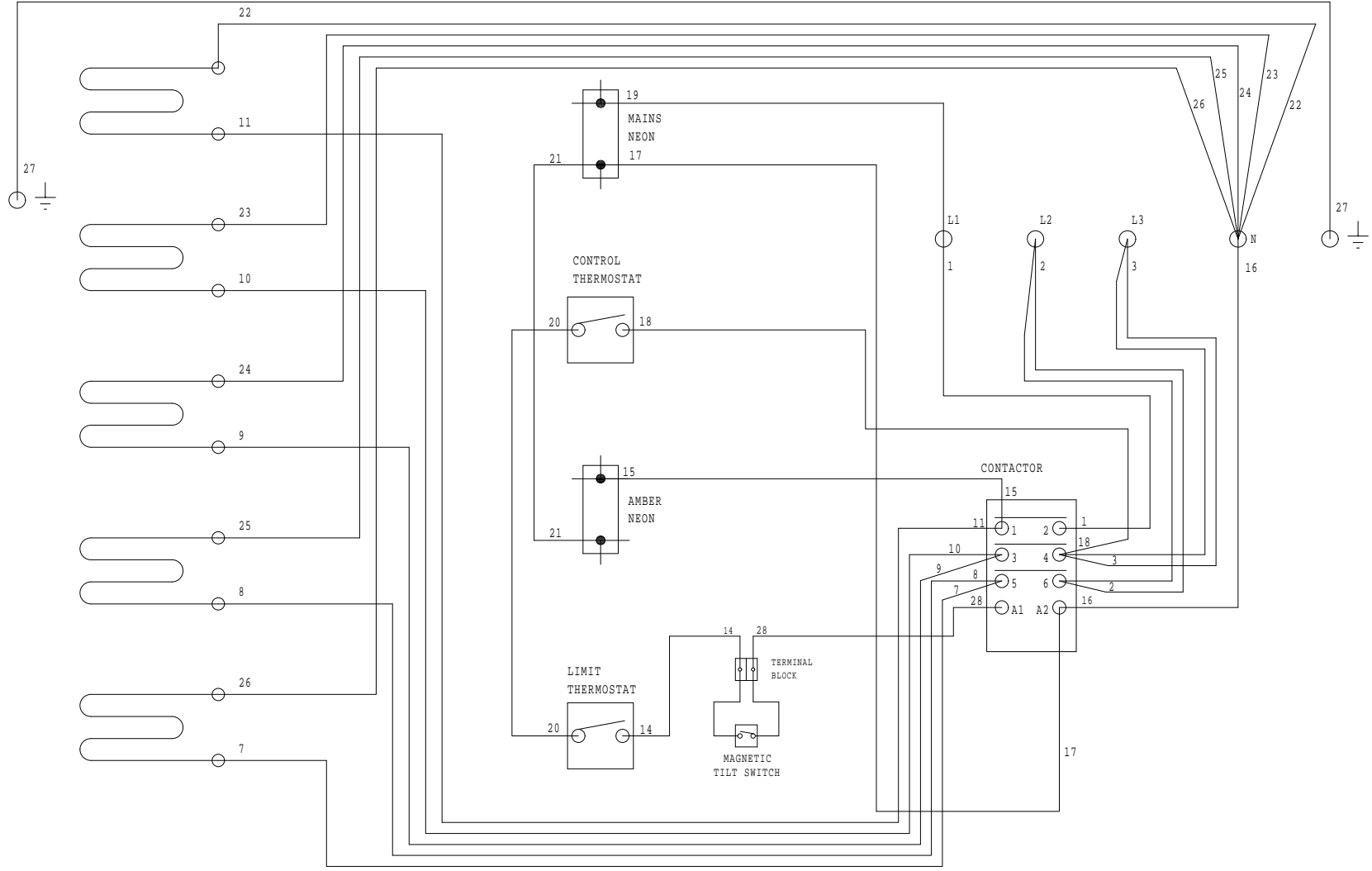


IF IN DOUBT ASK!!

DO NOT SCALE !!



FOR WIRING DETAILS SEE AW35128

All Dimensions in millimetres, Tolerance ± 0.5mm (or as stated)

Drawing Number	CW35126										
	C	5827	TERMINAL BLOCK ADDED, COUPLERS DELETED	1. HAMILTON 27-06-97							
	B	5837	M/F CONNECTORS ADDED, MAGNETIC TILT SWITCH WAS MERCURY SWITCH	1. HAMILTON 27-06-97							
	A	4033	PRODUCTION ISSUE	F. GARVOCK 25/09/96							
	Issue	Mod No.	Alteration	Done	Drawn By	Date	Issue	Mod No.	Alteration	Done	Drawn By

UNCONTROLLED

no reproduction or publication of this drawing may be made and no article may be manufactured or assembled in accordance with this drawing without prior written consent. This prohibition is a term of any contract relating to this drawing. Rights reserved under the Copyright Act 1988 as amended by the Design Copyright Act 1988.

This part is common to the following units



Drawn	F. GARVOCK	Product	E1860 FRYER		
Date	25/09/96	Title	WIRING DIAGRAM LVD		
Scale		Drawing Number	CW35126	Issue	C
Matl.		Finish			
No. off		Drawn No.			