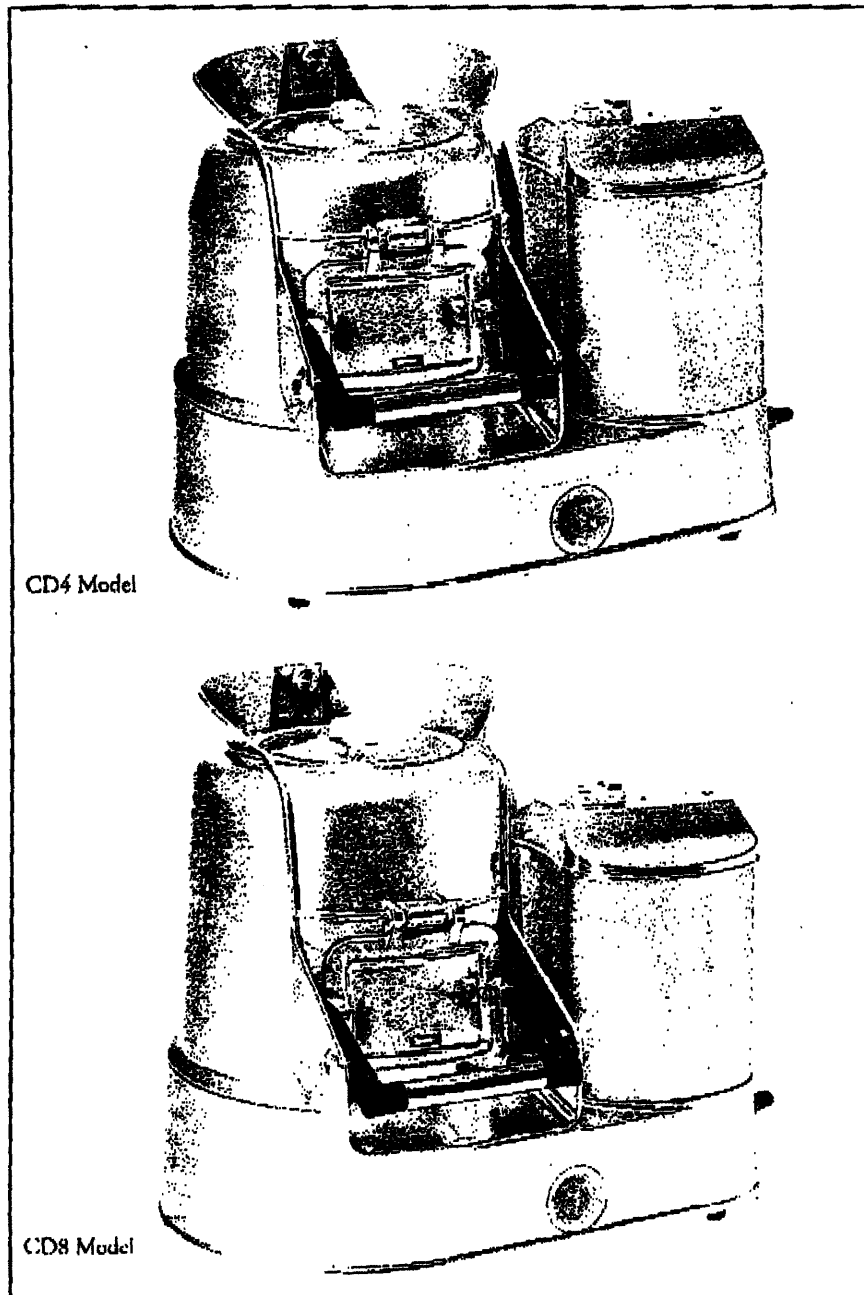


CD4/CD8

Potato Peeler



CD4 Model

CD8 Model

- 4 OR 8 kg CAPACITY
- SEA WAVE PEELING PLATE
- BUILT-IN AIR BREAK

DESCRIPTION

A choice of compact peelers built stronger to last longer and to take the real day to day punishment of commercial use in their stride.

EFFICIENT PEELING ACTION

The drum and peeling plate is coated in a close mesh, fine grade abrasive. It's multitude of fine cutting edges gives a gentle 'skin-deep' peeling action that is thorough but economical, removing the peel, not the potato. The transparent cover enables peeling progress to be confirmed, without switching off the peeler.

SEA WAVE PEELING PLATE

The 'Sea Wave' shaped plate imparts a twin movement - tumbling the potatoes around the chamber so that every one reaches the abrasive. The result is perfect peeling with the minimum of waste and absence of flats.

RUGGED CONSTRUCTION

Cast metal peeling plate and drum for long life.

HIGH PERFORMANCE

Peel a full load of 4 or 8 kg in around 3 to 4 minutes, depending on the condition of the potatoes.

CONVENIENCE OF SITING

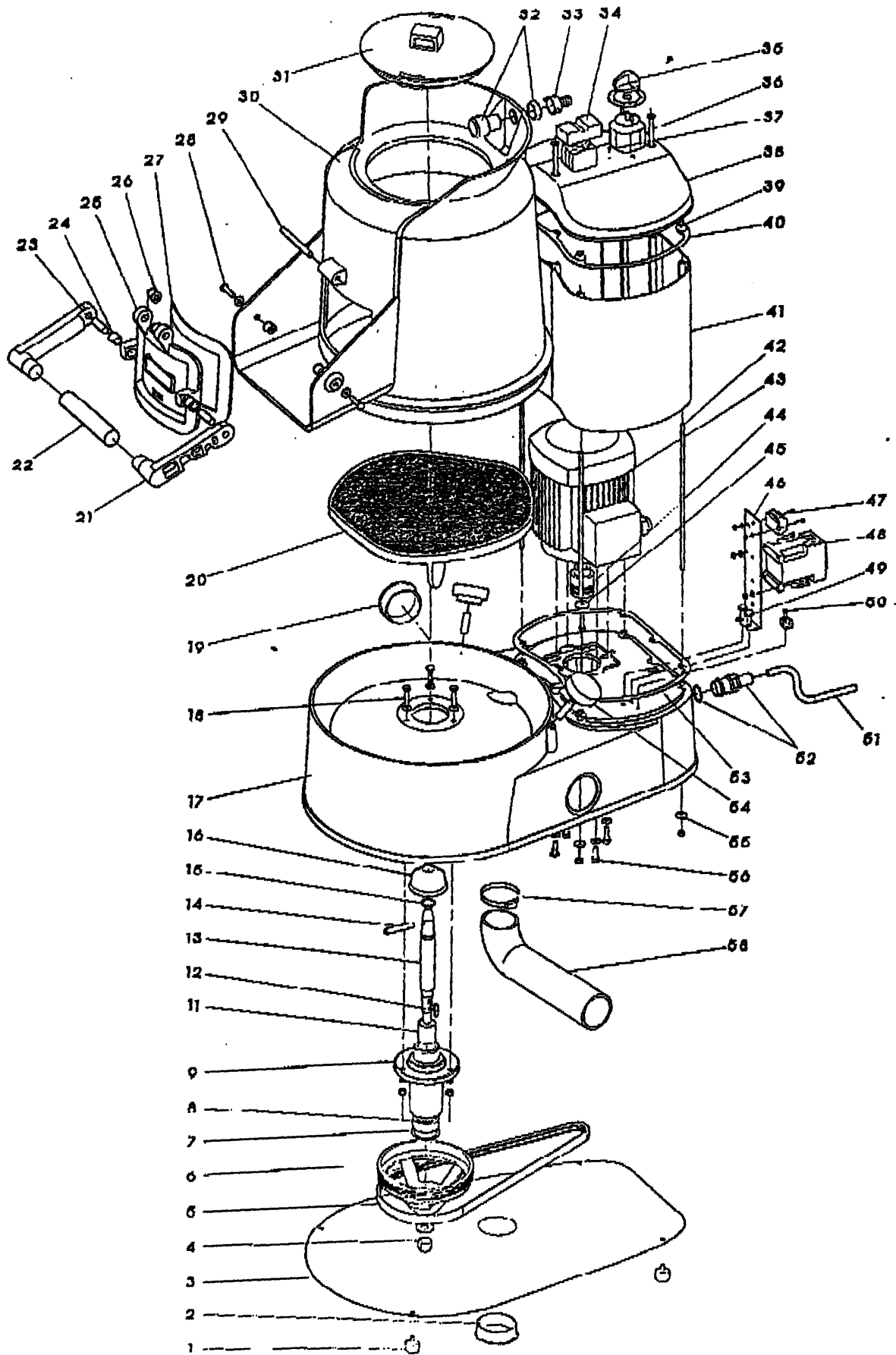
Compact design enables the machines to be installed alongside a sink or fitted to a stand that is available as an optional extra. An air break is incorporated to meet water supply authority requirements.

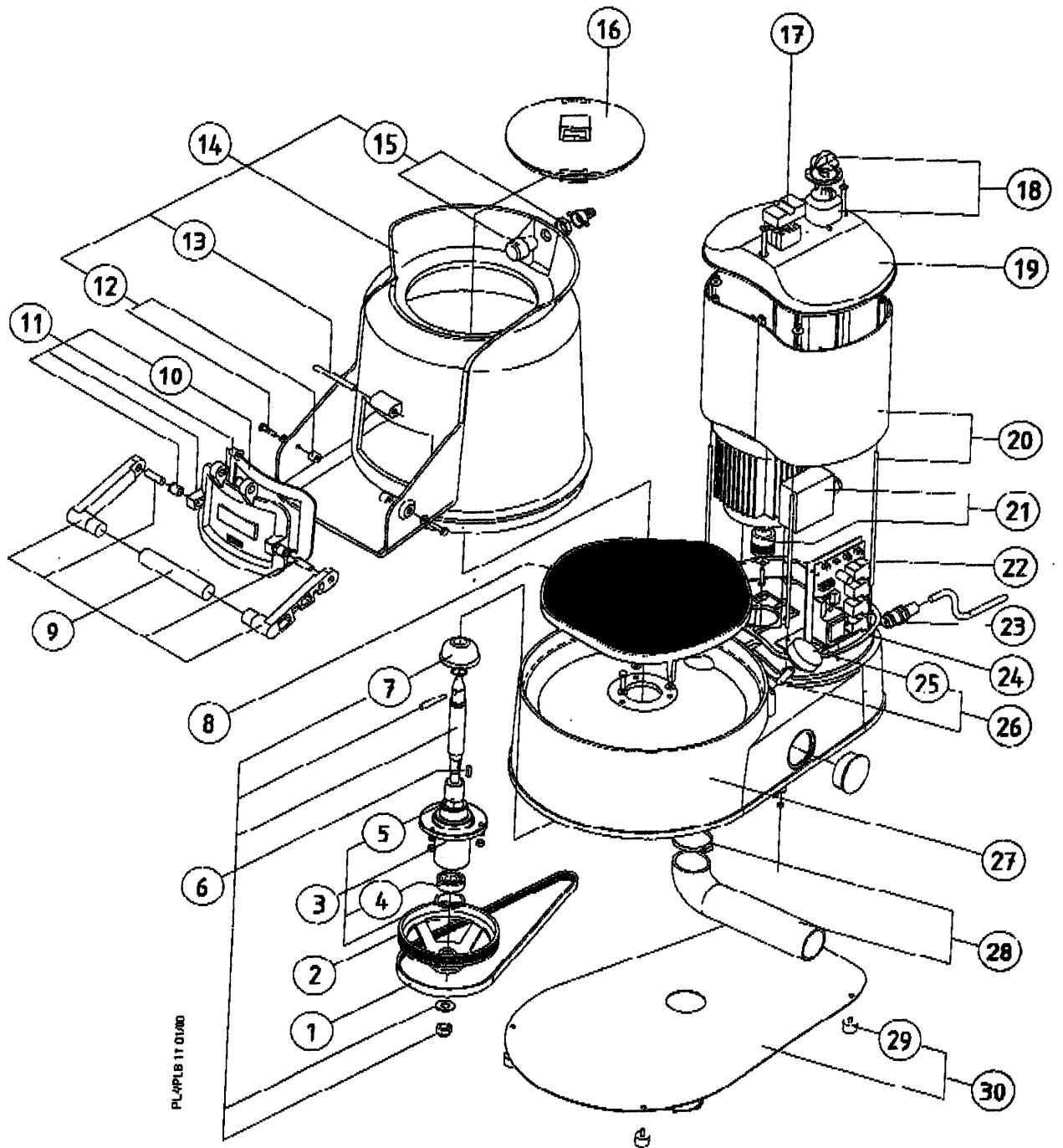
The peeling chamber and hopper can be rotated to bring the discharge chute into the most convenient position and the waste can discharge to either side of the machine. Stop/start push buttons are incorporated with no-volt-release control.

ELECTROLUX CRYPTO PEERLESS

OR2057

EDITION GB-ISR 11.96





PLAQUE 11 01/00



Item	Qty	Part N°	Description
1	4	3190	Foot
	4	3594	Screw / CL M5 x 16
2	1	17925	Cap
3	1	17926	Bottom plate
4	1	3676	Nut nyloc / M12
	1	9032	Washer / M12
5	1	17956	Belt / 854 J6
6	1	18290	Driven pulley
7	1	3073	Circlip / 40i
8	1	3041	Bearing / 6203 2RS
9	1	17908	Spacer bush
11	1	17955	Dush / 22 x 27 x 28
12	1	1964	Key / A 5 x 5 x 20
13	1	17910	Shaft
14	1	5628	Pin / G 06 8 x 45
15	1	3117	O' Ring / 17,12 x 2,62
16	1	17911	Deflector
17	1	17923	Base
18	3	3512	Screw / H M6x30
	3	3785	Washer / Cs M6
	3	3774	Washer / W6
	3	3653	Nut / Hu M6
19	1	17925	Cap
20	1	17933	Abrasive plate
21	1	1190	Left handle
	1	1169	Right handle
22	1	17917	Handle tube
23	2	12419	Pin / G 02 10 x 25
24	2	1207	Ring / 10 x 14 x 13,5
25	1	17913	Door
26	2	4271	Ring / 8 x 11,9 x 15
27	1	17914	Door seal
28	2	20185	Door locking pin
	2	3785	Washer / Cs M6
	2	3508	Screw / H M6x20
29	1	17915	Pin / G 06 8 x 75
30	1	17938	Cylinder / 8-10Kg
	1	17936	Cylinder / 5-6Kg
31	1	17918	Hopper cover
32	1	17944	Jet
	1	17945	Nut / 1/2 gaz
34	1	12562	Earth washer
	1	17927	Push button start-stop

35	1	17971	Timer plate
	1	5188	Timer button
	2	3332	Screw / F M4 x 10
	1	1108	Timer seal
	1	3312	Timer
36	2	3545	Screw / F M6 x 60
37	1	3682	Rivet / CTR 1 2 x 5
38	1	17930	Motor cover
39	4	3784	Washer / Cs L5
	4	3652	Nut / Hu M5
41	1	17966	RH motor casing
	1	17967	LH motor casing
42	4	17972	Screw rod / M5
43	1	3073	Motor DS17565 (240/50/1)
44	1	1964	Key / A 5 x 5 x 20
	1	17920	Drive pulley / 50Hz
	1	17905	Drive pulley / 60Hz
45	1	3502	Screw / H M5 x 25
46	1	17921	Component bracket
47	1	12153	3 phase terminal block
	1	12152	Single phase terminal block
	2	12112	Screw / C M3 x 12
	2	3765	Washer / DE 3
	2	3650	Nut / Hu M3
48	2	3572	Screw / C M4 x 16
	2	3780	Washer / Cs M4
	2	3651	Nut / Hu M4
	1	3328	Contactor / 230-400V
	1	9766	Contactor / 230V
49	2	12151	Collar screw / M6 x 16
50	1	3766	Washer / DE 4
	1	16675	Earth terminal
	1	3570	Screw / C M4 x 8
51	1	3404	Power supply cable / 4 x 1 mm ²
	1	11573	Power supply cable / 3 x 1 mm ²
52	1	2476	Cable stand
	1	3479	Nut
53	1	17928	Cover seal
54	2	17954	Knob
	2	17958	Bolt / M 10 x 20 DS1762.3
55	8	3652	Nut / Hu M5
	4	3784	Washer / Cs L5
56	4	3782	Washer / Cs L6
	4	3509	Screw / H M6 x 20
57	1	1410	Collar / 50-70
58	1	1074	Outlet pipe

* Handle ASSY
(Items 21 + 22)
DS 20712.



Rep. Item	Code Part N°	Désignation / Description
1	17956	Courroie / Belt / poly V 864 J6
2	4266	Poulie réceptrice/ Driven pulley
3	17316	Palier équipé / Spacer bush / PL-CD4/8/13
4	3041	Roulement / Bearing / 6203 2RS
5	17955	Coussinet / Bush / 22x27x28 BP25 /
6	17317	Arbre équipé / Shaft assembly /PL-CD4/8/13
7	17911	Défecteur PL / Deflector / PL
8	20598	Plateau lisse / Smooth plate / PL-CD4/8
	20599	Plateau Bouchard / Coarse-peel plate / PL-CD4/8
9	20712	Poignée équipée / Handle assembly /PL4/8/15
10	17367	Joint équipé / Seal assembly / PL-CD4/8/13
11	17356	Porte équipée / Door assembly / PL-CD4/8/13
12	17455	Jeu x 2 axe verrouillage équipé / Set x 2 locking pins
13	17464	Jeu x 5 goupille / Set x 5 pin / G 06 8 x 75 / PI -CD
14	17535	Cylindre équipé / Cylinder assembly / PL-CD4
	17470	Cylindre équipé / Cylinder assembly / PL-CD8
15	17542	Gicleur / Jet / PL-CD4/8/13
16	17918	Couvercle trémie / Hopper cover / PL4
17	12160	Bouton Marche-Arrêt / Start-Stop button
18	17544	Minuterie équipée / Timer assembly
19	17930	Capot moteur (version minuterie) / Motor cover (with timer)
	20198	Capot moteur (version sans minuterie) / Motor cover (without timer)
20	23602	Caisson moteur équipé / Motor casing assembly
21	17561	Moteur équipé / Motor assembly / 3 230-400 50Hz / PL/CD4
	17565	Moteur équipé / Motor assembly / 1 230-240 50 PL/CD8
22	23394	Carte de puissance monophasée équipée / Single phase power board assembly
	23395	Carte de puissance triphasée équipée / Three phase power board assembly
23	17615	Presse étoupe équipée / Cable gland assembly/PL-CD4/8/13
24	17928	Joint capot / Cover seal / PL4/8
25	17954	Poignée / Handle / B193/50 BM10
26	17623	Jeu x 2 bouton + goujon / Set x 2 button + bolt / PL-CD
27	17923	Socle / Base / PL
28	23605	Durite équipée / Outlet pipe assembly / PL4/8
29	23115	Jeu x 4 patin + vis / Set x 4 feet + screws
30	23606	Toile de rond équipée / Base plate assembly

NB : Les vis, rondelles et écrous sont livrés automatiquement avec les sous-ensembles correspondants.

Screws, washers and nuts are automatically delivered with the corresponding sub-assemblies.

