



**1400 SERIES/1500 SERIES  
ELECTRIC DECK OVEN  
REPLACEMENT PARTS LIST**



**EFFECTIVE JULY 6, 2004**

**BLODGETT OVEN COMPANY**, 44 Lakeside Avenue, Burlington, Vermont 05401 USA

Telephone: (802) 860-3700 (800) 331-5842 Fax: (802) 860-3732

*www.blodgett.com*

Superseding All Previous Parts Lists.

The Company reserves the right to make substitution in the event that items specified are not available.

ERRORS: Descriptive and/or typographic errors are subject to correction.

**www.blodgett.com**

**IMPORTANT:** When ordering parts, please provide the model, gas type and serial number of the oven. The identification plate is located on the left side of the combustion compartment and, also, above the control panel under the ledge.

# 1400 SERIES

September 12, 2002

- ASAP Distributor Required Stocking Parts
- ◆ Doors Are Not Returnable

2

## ELECTRICAL COMPONENTS

Ref. No.	Part No.	Description
1	20537	Element Assy., Bottom 208V
1	20538	Element Assy., Bottom 240V
2	19822	Element Assy., Middle 208V
2	19938	Element Assy., Middle 220/240V
	20539	Element Assy., Top 208V
	20540	Element Assy., Top 240V
3	38091	Receptacle, Center Element

## MECHANICAL CONTROLS

Ref. No.	Part No.	Description
30	<input checked="" type="checkbox"/> 15956	Timer, 60 Minute
	16686	Knob, Timer
31	21554	Buzzer, Timer 240V
28	20546	Thermostat w/ Terminal, Mechanical
22	16686	Knob, Thermostat
27	18353	Terminal Adapter, Thermostat
6	19619	Rocker Switch, DPST, Black
29	20436	Indicator Light, 250V, Clear, Rectangular
	20547	Contactactor, 35 Amp.
	18836	Contactactor, Mercury, 30 Amp., 3 Pole (For Solid State Thermostat)
	17556	Terminal Block, 90 Amp., 3 Pole
	23086	Suppressor Assy., RC
	<input checked="" type="checkbox"/> 21430	Axial Fan, 230V, 34 CFM, 3"
	M1376	Guard, Axial Fan
24	21553	Cable Assy., Strain Relief
23	20541	Panel Assy., Control
25	20542	Hinge Assy., Control Panel
26	20543	Control Panel & Decal, Mechanical Thermostat/Mechanical Timer
	20544	Control Panel & Decal, Mechanical Thermostat/Solid State Timer
	20551	Transformer for Timer

## SOLID STATE INFINITE CONTROL

Ref. No.	Part No.	Description
50	<input checked="" type="checkbox"/> 18578	Control, Temperature
	<input checked="" type="checkbox"/> 18588	Probe, Temperature
34	<input checked="" type="checkbox"/> 18234	Potentiometer, Remote
41	16037	Light, Ind. 250V Red, Round
48	<input checked="" type="checkbox"/> 18226	Timer, 60 Minute 240V
6	<input checked="" type="checkbox"/> 19619	Switch, Rocker DPST, Black
	5634	Buzzer, 240V
	<input checked="" type="checkbox"/> 18836	Contactactor, HG 3Pole 30 AMP
	33517	Harness, Control
	15934	Knob, Time & Temp Control
	33530	Infinite Control Module (To change controls)
	19751	Clip, Bulb Thermistor
22	16686	Knob, Control
47	18268	Nylon Spacer
7	20541	Control Panel Assy.
	32297	Spacer, Circuit Board
	33502	Decal, Control (Cracker Barrel)

## SOLID STATE DIGITAL CONTROLS

(Current Style with 2 or 3 Button Decal)

Ref. No.	Part No.	Description
5	32472	Controller w/ 2 Button Decal (Includes the Panel & Decal Assy.) (See Note)
8	24181	Knob, Control
	<input checked="" type="checkbox"/> 23392	Probe, Temperature RTD
6	19619	Rocker Switch, DPST, Black
4	21553	Cable Assy., Strain Relief
7	20541	Panel Assy., Control
	24193	Wiring Harness, Solid State Control Module
5	32472	Control Panel & Decal Assy. (For 3 Button to 2 Button Decal Conversion) (Includes the Controller)
9	31192	Decal Only (For 2 Button)

**NOTE:** If you do not have a 32472 in stock, you can use the the 24448 conversion kit in its place. If you need to order the control panel & decal with 3 buttons, you must order 32472 to convert it to the current 2 button decal. The decal only (p/n 31192) is available for ovens with the current 2 button decal already.

### SOLID STATE CONTROLS

(Old Style with 12 Button Decal)

<u>Ref. No.</u>	<u>Part No.</u>	<u>Description</u>
	24448	Conversion Kit, 12 Button to Current Control with 2 Button Decal (Complete Module Assy.) (See Note)
22	16686	Knob, Control
35	20549	Controller, Temperature RTD
36	19735	Probe, Temperature Controller RTD
34	<input checked="" type="checkbox"/> 18234	Potentiometer, Remote
21	19619	Rocker Switch, DPST, Black
29	20436	Indicator Light, 250V, Clear, Rectangular
24	21553	Cable Assy., Strain Relief
7	20541	Panel Assy., Control
	24193	Wiring Harness, Solid State Control Module

*NOTE: If you need either the timer or the control panel and decal assy. for the 12 button control, you need to order part number 24448 conversion kit to the current control with 2 button decal.*

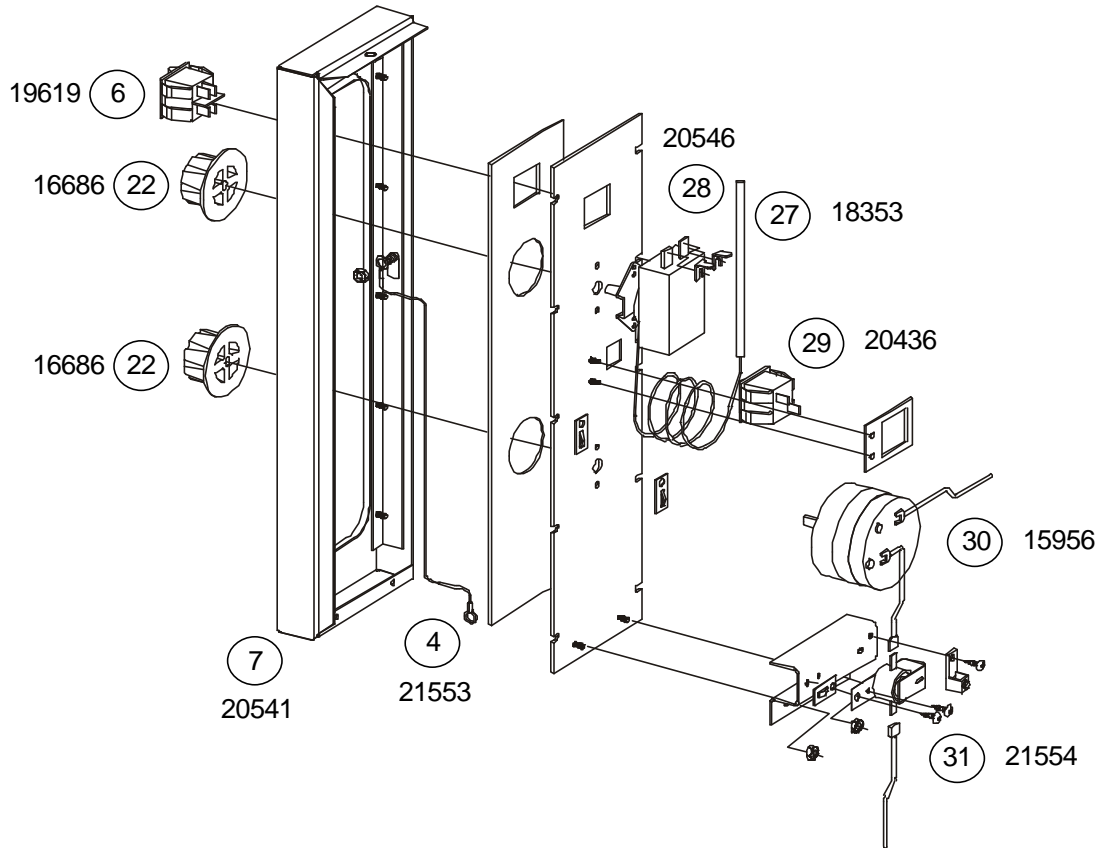
### INTERIOR COMPONENTS

<u>Ref. No.</u>	<u>Part No.</u>	<u>Description</u>
	19955	Deck, Steel
	31144	Deck, Cordierite (3/4" x 19-1/2" x 19-1/2")

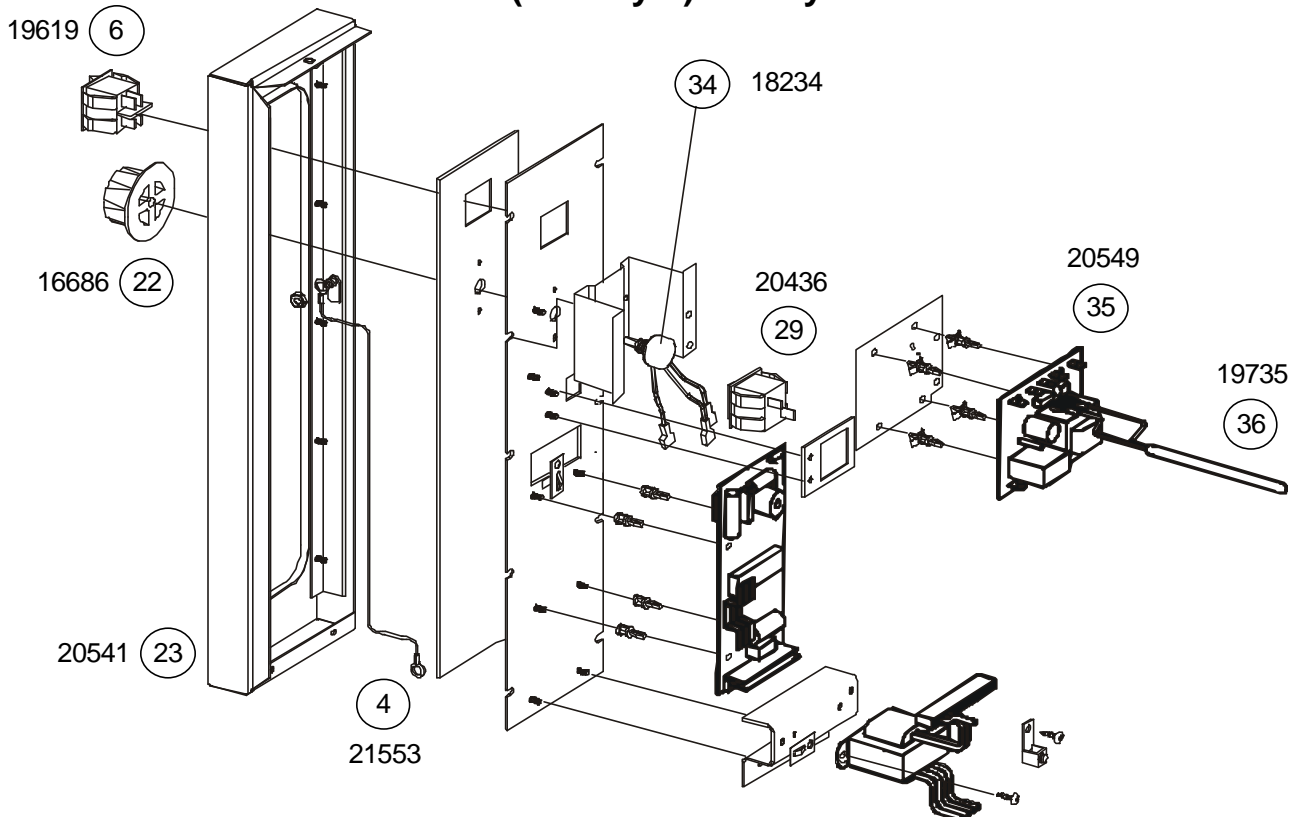
### EXTERIOR COMPONENTS

<u>Ref. No.</u>	<u>Part No.</u>	<u>Description</u>
	20095	Door Assy., S/S, Drop Down (After 2/10/89)
	19986	Door Assy., Solid, Roll-Up (After 2/10/89)
	20928	Door Kit, Roll-Up w/o Middle Element (Before 2/10/89)
	20929	Door Kit, Roll-Up w/ 208V Middle Element (Before 2/10/89)
	20930	Door Kit, Roll-Up w/ 220V Middle Element (Before 2/10/89)
	20931	Door Kit, Roll-Up w/ 240V Middle Element (Before 2/10/89)
	21550	Arm Assy., Door LH Roll-Up
	21551	Arm Assy., Door RH Roll-Up
	21556	Brackets, Door Arm Roll-Up
	20139	Bearing, Door Roll-Up (Set of 2)
	21552	Hinge Pin, Door Roll-Up (Set of 2)
	19807	Crumb Tray Assy., Roll-Up
	20734	Microswitch Assy., Door Roll-Up
	20146	Cam Assy., Door Roll-Up
	21528	Bearing, Door Drop-Down (Set of 2)
	17559	Bushing, Roll-Up
	21527	Hinge Pin, Door Drop-Down (Set of 2)
	23009	Handle, Door Conversion Kit (Before 11/15/91)
	20140	Handle, Door (w/rod), (After 11/15/91)
	35184	Window Bracket (L & R) (for handles) (For units after 11/15/91)
	<b>**NOTE</b> This Kit 35184 replaces 20533 & 20534 single brackets.	
	20527	Catch, Door (Pressure Latch)
	20526	Catch, Door (Striker Plate)
	20535	Gasket, Top Door S/S
	19556	Nameplate, Blodgett 4"
	20557	Back Panel, Louvered
	20536	Body Top & Sides, S/S
	21109	Stacking Kit, 1400 on 1400
	20435	Legs, 4" Painted (Set of 4)
	24934	Stand, 19" S/S w/ Casters
	32298	Heat Shield (1405/1415)

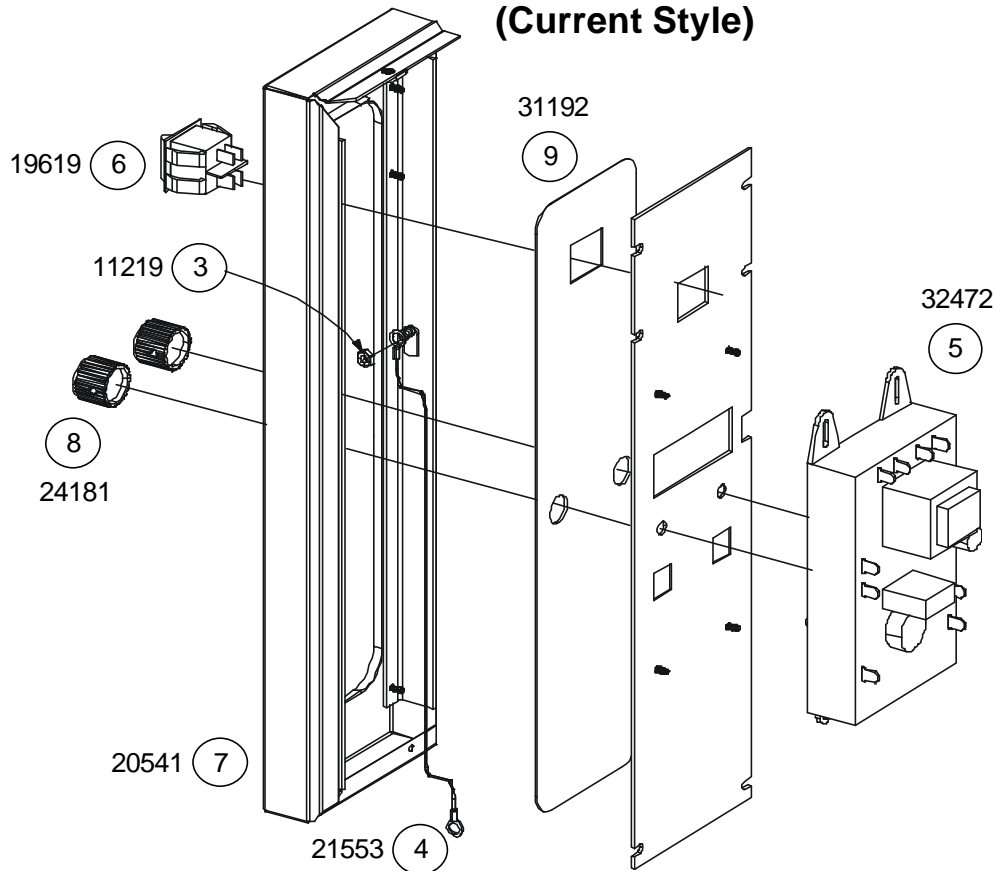
### MECHANICAL CONTROLS



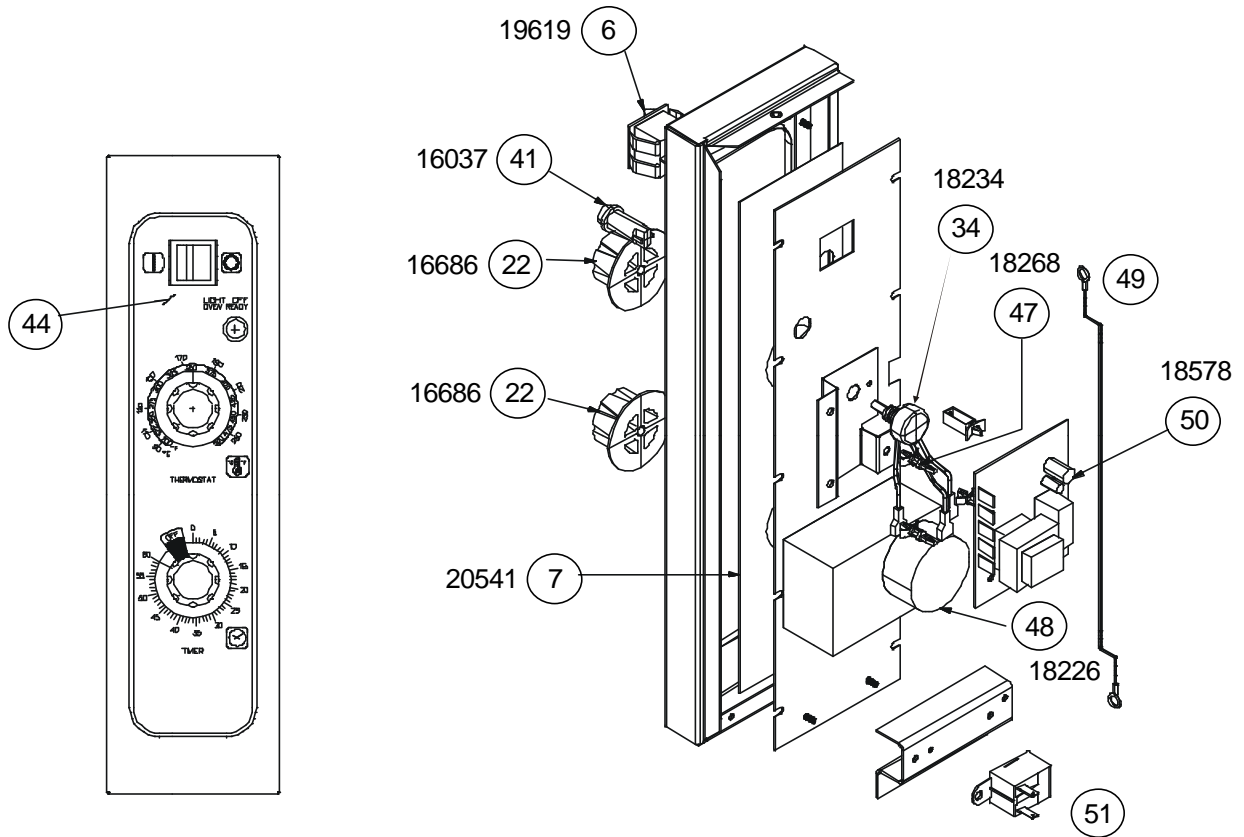
### SOLID STATE DIGITAL CONTROLS (Old Style) 12 Key



### SOLID STATE DIGITAL CONTROLS (Current Style)



### SOLID STATE INFINITE CONTROLS



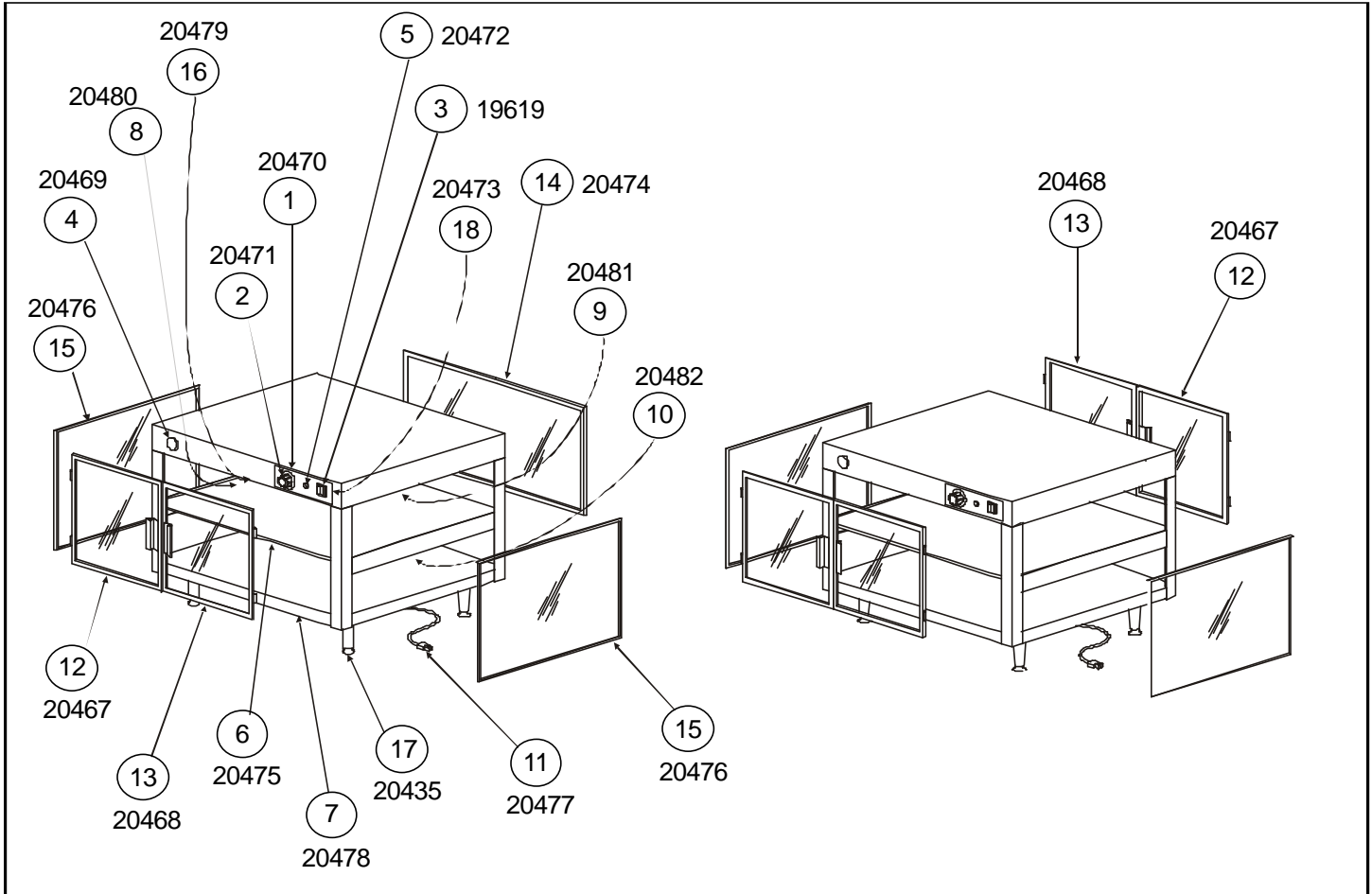
**IMPORTANT:** When ordering parts, please provide the model, gas type and serial number of the oven. The identification plate is located on the left side of the combustion compartment and, also, above the control panel under the ledge.

# 1500 SERIES

July 6, 2004

- ☑ ASAP Distributor Required Stocking Parts
- ◆ Doors Are Not Returnable

6



## ELECTRICAL COMPONENTS

<u>Ref. No.</u>	<u>Part No.</u>	<u>Description</u>
1	20470	Thermostat
2	20471	Knob, Thermostat
3	19619	Switch, Rocker DPST Black
4	20469	Thermometer
5	20472	Indicator Light, Red, Round, 250V
6	20475	Element Assy., Top, 115V, 75 Watt
7	20478	Element Assy., Bottom, 115V, 250 Watt
8	20480	Lamp, 120V, 40 Watt
9	20481	Socket, Lamp Single
10	20482	Socket, Lamp Twin
11	20477	Cord Set Assy., 120V, 15 AMP

## EXTERIOR COMPONENTS

<u>Ref. No.</u>	<u>Part No.</u>	<u>Description</u>
12	◆ 20467	Door Assy., Left Hinge
13	◆ 20468	Door Assy., Right Hinge
14	20474	Glass Assy., Front (1501 Only)
15	20476	Glass Assy., End Welded
	20558	Glass Assy., End (Old Style) (4 Req'd)
16	20479	Catch, Door
17	20435	Legs, 4" (Set of 4)
18	20473	Decal, Power Tag

**BLODGETT OVEN COMPANY**, 44 Lakeside Avenue, Burlington, Vermont 05401 USA

Telephone: (802) 860-3700 (800) 331-5842 Fax: (802) 860-3732

A Division of G.S. Blodgett Corporation