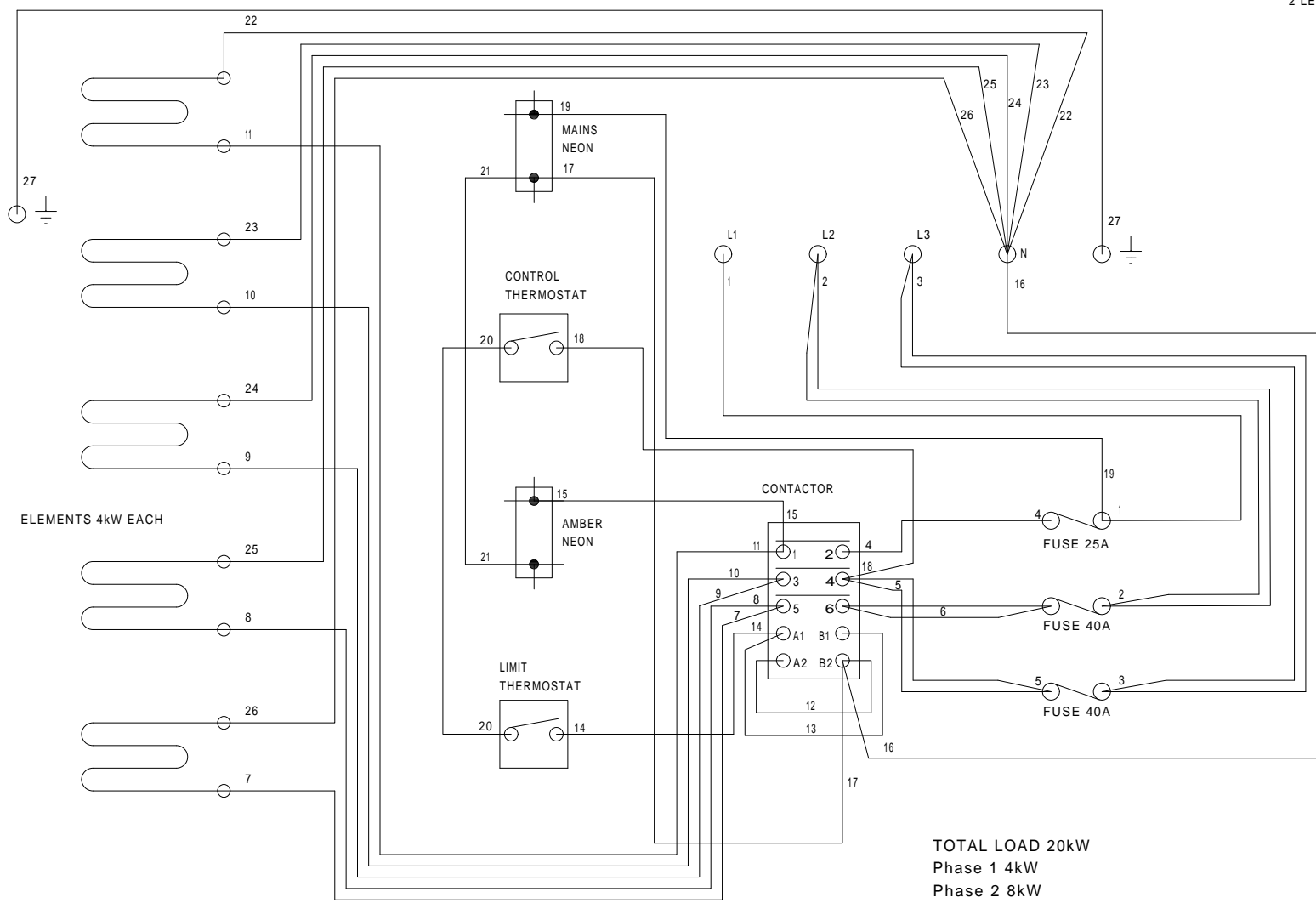


IF IN DOUBT ASK!!

DO NOT SCALE !!



2 LENGTHS
2 LENGTHS
2 LENGTHS
2 LENGTHS

| No. | SIZE(mm) | LENGTH | COLOUR | TERMINALS |
|-----|----------|--------|--------|-------------------|
| 1 | 2.5 | 190 | WHITE | STRIP 20 M6 RING |
| 2 | 2.5 | 165 | WHITE | STRIP 20 M6 RING |
| 3 | 2.5 | 165 | WHITE | STRIP 20 M6 RING |
| 4 | 2.5 | 380 | WHITE | STRIP 20 M5 RING |
| 5 | 2.5 | 380 | WHITE | STRIP 20 M5 RING |
| 6 | 2.5 | 380 | WHITE | STRIP 20 M5 RING |
| 7 | 2.5 | 1295 | WHITE | STRIP 10 M5 RING |
| 8 | 2.5 | 1370 | WHITE | STRIP 10 M5 RING |
| 9 | 2.5 | 1450 | WHITE | STRIP 10 M5 RING |
| 10 | 2.5 | 1525 | WHITE | STRIP 10 M5 RING |
| 11 | 2.5 | 1600 | WHITE | STRIP 10 M5 RING |
| 12 | 0.75 | 130 | WHITE | STRIP 10 STRIP 10 |
| 13 | 0.75 | 130 | WHITE | STRIP 10 STRIP 10 |
| 14 | 0.75 | 405 | WHITE | STRIP 10 PUSH ON |
| 15 | 0.75 | 380 | WHITE | M5 RING PUSH ON |
| 16 | 0.75 | 355 | WHITE | STRIP 10 M10 RING |
| 17 | 0.75 | 380 | WHITE | STRIP 10 PUSH ON |
| 18 | 0.75 | 305 | WHITE | M5 RING M5 RING |
| 19 | 0.75 | 305 | WHITE | M5 RING PUSH ON |
| 20 | 0.75 | 305 | WHITE | M5 RING PUSH ON |
| 21 | 0.75 | 150 | WHITE | PIGGYBACK PUSH ON |
| 22 | 2.5 | 1450 | WHITE | STRIP 10 M10 RING |
| 23 | 2.5 | 1525 | WHITE | STRIP 10 M10 RING |
| 24 | 2.5 | 1600 | WHITE | STRIP 10 M10 RING |
| 25 | 2.5 | 1675 | WHITE | STRIP 10 M10 RING |
| 26 | 2.5 | 1790 | WHITE | STRIP 10 M10 RING |
| 27 | 2.5 | 1755 | WHITE | M6 RING M6 RING |

NOTES
WIRES 1 TO 6 , STRIPPED ENDS TO BE DOUBLED BACK INTO FUSE HOLDERS.
ALL PUSH ON'S TO HAVE BUTYL SLEEVES.
WIRE 27 TO HAVE YELLOW/GREEN TAPE AT BOTH ENDS.

TOTAL LOAD 20kW
Phase 1 4kW
Phase 2 8kW
Phase 3 8kW

| Issue | Mod No. | Alteration | Zone | Drawn by | Date | Issue | Mod No. | Alteration | Zone | Drawn by | Date |
|-------|---------|--------------------------------------|------|-----------|----------|-------|---------|------------|------|----------|------|
| D | 3400 | WIRE 19 WAS LINKED TO 4 AT CONTACTOR | | F.GARVOCK | 23/10/92 | | | | | | |
| C | 3246 | 25A FUSE WAS 20A | | F.GARVOCK | 23/10/92 | | | | | | |
| B | 2161 | WIRES 2,3,5 & 6 WERE 1 EACH AT 6.4 | | D BLACK | 04/10/83 | | | | | | |
| A | ---- | WIRES 1 TO 6 WERE STRIPPED 10 | | D THOMSON | 07/01/81 | | | | | | |

UNCONTROLLED

The reproduction or publication of this drawing may be made and its use may be made by any person without the permission of the manufacturer or designer in accordance with the provisions of the Copyright Act 1988 as amended by the Design Copyright Act 1988.

This part is common to the following units



| All Dimensions in millimetres, Tolerance ± 0.5mm (or as stated) | | | |
|---|-----------|----------------|----------------|
| Drawn | F.GARVOCK | Product | E1860 FRYER |
| Date | 22/07/92 | Title | WIRING DIAGRAM |
| Scale | | Drawing Number | CW20269 |
| Matl. | | Issue | D |
| No. off | | Finish | |
| Bin No. | | Kraus No. | |