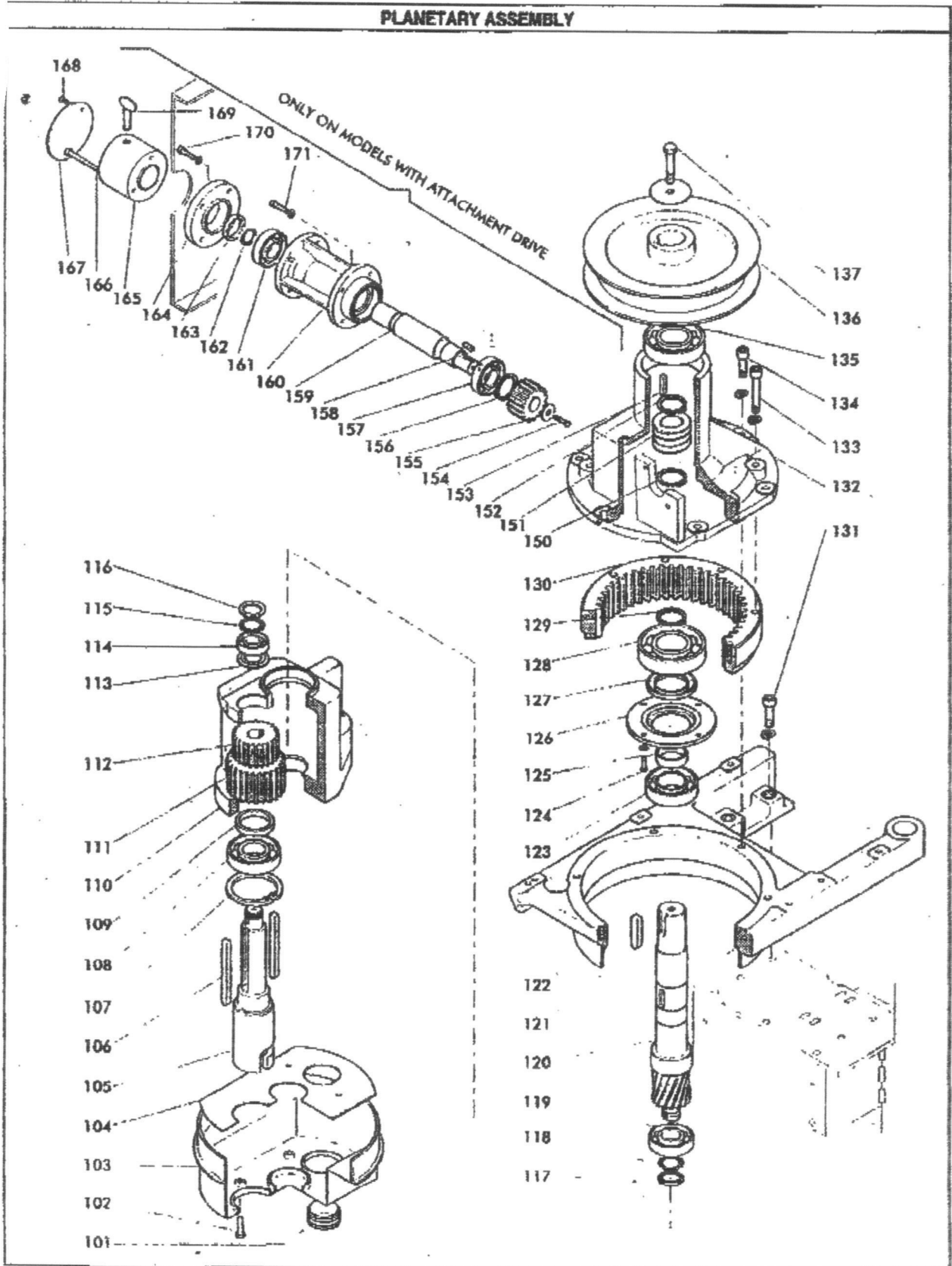


MAIN BODY ASSEMBLY				DSV44930			
Item	Part No	Description	Qty	Item	Part No	Description	Qty
1	DS05190	Microswitch	1	38	DS09731	Top Cover Support Bracket	1
2	DS03567	Screw C M3x20	2	39	DS03522	Screw CHC M10x30	4
	DS03765	Washer DE 3	2		DS03776	Washer W10	4
	DS03650	Nut Hu M3	2		DS03656	Nut Hu M10	4
3	DS04272	Switch Housing	1	40	DS03611	Screw CHC M8x20	4
4	DS04275	Spring	1		DS03775	Washer W8	4
5	DS04766	Rod	1	41	DS09749	Motor Support Bracket	1
6	DS03102	Flexibe Joint 2.9x1.78	1	42	DS09732	Rear Upper Cover	1
7	DS03057	Circlip 6e	1	43	DS03635	Screw RL M6x12	6
8	DS03618	Screw SHC M4x8	1		DS10584	Nut M6	6
9	DS10583	Cam	1	44	DS09739	Lower Rear Cover Plate	1
10	DS04859	Bracket	1	45	DS09730	Column	1
11	DS04858	Bearing	2	46	DS09751	Angle Bracket	1
	DS03781	Washer M12	2	47	DS03404	Cable H07 RNF 4x1mm ² 2.5m lg	1
	DS03771	Washer DE12	2	48	DS03147	Grommet 9x16x4	1
	DS03664	Nut Hm M12	2	49	DS06469	Screw H M4x12	2
12	DS04765	Bush	1		DS03780	Washer CS M4	2
13	DS09743	Screw RL M8x50	2	50	DS07599	Screw H M6x12	4
	DS03757	Washer M8	2		DS03785	Washer CS M6	4
	DS03769	Washer DE M8	1	51	DS09741	Bottom Cover Plate	1
	DS03662	Nut Hm M8	4	52	DS06997	Nut M4	2
14	DS08735	Side Guard	1	53	DS04359	Screw H M10x20	2
15	DS04501	Rubber Insert	2		DS03776	Washer W10	2
16	DS10524	Tube rilsan 5x7x20	2		DS03656	Nut Hu M10	2
17	DS09744	Screw RL M5x20	2	54	DS12691	Leg Cap	4
18	DS09780	Rubber strip 9x8x870	1	55	DS09740	Angle Bracket	3
19	DS09742	Front Guard	1	56	DS12725	Right Foot	1
20	DS09734	Front Panel	1		DS12724	Left Foot	1
21	DS12164	Push Button (black)	5	57	DS12695	Square Leg Adjustment Nut	4
22	DS10808	Stop Push Button(red)	1	58	DS03521	Screw H M10x25	8
23	DS12165	Light Switch	1		DS03776	Washer W10	8
24	DS03487	Timer 7523	1		DS03656	Nut Hu M10	8
25	DS03779	EMX60 Control Panel	1	59	DS12692	Foot Inserty	4
	DS03778	EMX80 Control Panel	1	60	DS05117	Screw H M8x50	4
26	DS04699	Cap	1		DS02448	Washer 45x10.5x2	4
27	DS12151	Screw H M6x16	4	61	DS03577	Screw C M5x12	10
28	DS06998	Screw RL M8x16	2		DS03767	Washer DE5	10
29	DS12869	Cover Plate	1		DS03652	Nut Hu M5	10
30	DS03780	Washer CS M4	2	62	DS03649	Pin	5
	DS03651	Nut M4	2		DS03767	Washer DE5	5
31	DS06998	Screw RL M8x16	4		DS03652	Nut Hu M5	5
32	DS09736	Right Upper Side Panel	1	63	DS03648	Clip	5
	DS09737	Left Upper Side Panel	1				
33	DS09738	Top Cover	1				
34	DS03613	Screw CHC M10x30	4				
	DS03776	Washer W10	4				
	DS03656	Nut Hu M10	4				
35	DS09750	Angle Bracket	2				
36	DS03433	Screw RL M8x25	2				
37	DS03521	Screw H M10x25	4				
	DS03776	Washer W10	4				
	DS03656	Nut Hu M10	4				

SUB-ASSEMBLIES

Part No	Description
DS09539	Right Foot Assembly (54+56+57+58+59+60)
DS09538	Left Foot Assembly (54+56+57+58+59+60)
DS01602	Rear Upper Cover Assembly (42+61+62+63)
DS11201	Bowl Guard Assembly (1-13 + 14-17 + 19)
DS11205	EMX60 Control Panel Assembly (20-25)
DS11206	EMX80 Control Panel Assembly (20-25)

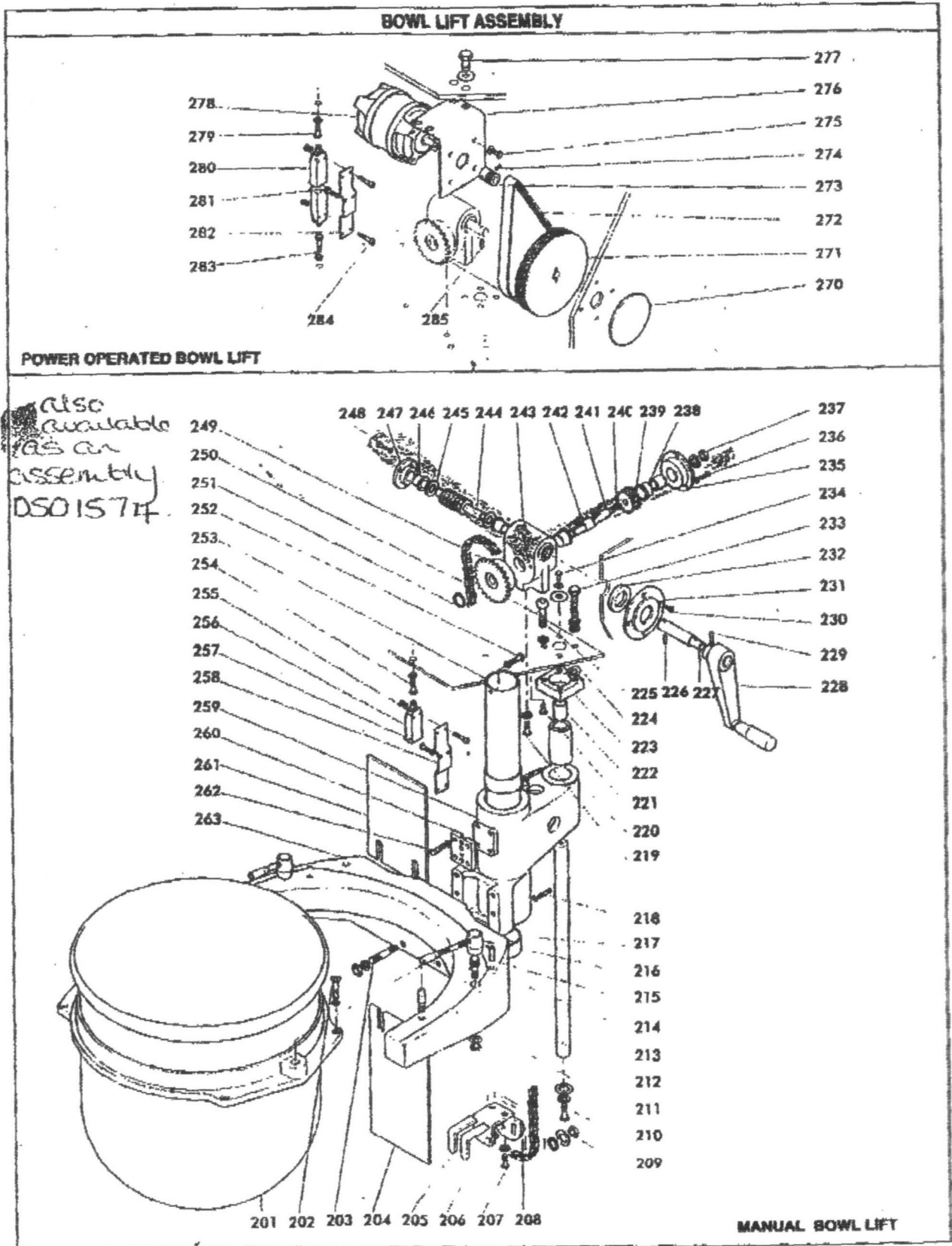
PLANETARY ASSEMBLY



PLANETARY ASSEMBLY				DSV60609			
Item	Part No	Description	Qty	Item	Part No	Description	Qty
101	DS06943	Plug	1	150	DS03070	Circlip 45e	1
102	DS03510	Screw H M6x25	4	151	DS04847	Gear	1
103	DS09745	Planetary Cover	1	152	DS03070	Circlip 45e	1
104	DS03113	Gasket	1	153	DS03386	Key A 12x8x36	1
105	DS04594	Beater Shaft - EMX60	1	154	DS03552	Screw FHC 6x16	1
	DS08641	Beater Shaft - EMX80	1		DS04404	Washer	1
106	DS03383	Key A 10x8x11.5	2	155	DS04848	Gear	1
107	DS03079	Circlip 75i	1	156	DS03069	Circlip 30e	1
108	DS03035	Bearing	1	157	DS03034	Bearing 6006 2RS	1
109	DS04611	Lower Spacer	1	158	DS03385	Key C 8x7x25	1
110	DS04586	Planetary Housing	1	159	DS12955	Attachment Drive Shaft type H	1
111	DS04596	Gearwheel 24 teeth	1	160	DS04841	Attachment Drive Barrel	1
112	DS04598	Gearwheel 17 teeth	1	161	DS03034	Bearing 6006 2RS	1
113	DS04610	Upper Spacer	1	162	DS03069	Circlip 30e	1
114	DS03043	Bearing 6205 2RS	1	163	DS12957	Seal	1
115	DS04614	Washer, MBS	1	164	DS12956	Flange	1
116	DS04613	Nut M25x1.5	1	165	DS12824	Hub type H	1
117	DS04613	Nut M25x1.5	1	166	DS10884	Screw CHC M6x60	3
118	DS04614	Washer MBS	1	167	DS12825	Cover Disc	1
119	DS03053	Bearing 6305 2RS	1	168	DS05006	Screw F M4x12	1
120	DS04592	Sun Shaft	1	169	DS04851	Thumbcrew M10x30	1
121	DS03387	Key C 12x8x36	1	170	DS03608	Screw CHC M6x20	4
122	DS04673	Planetary Body	1		DS03774	Washer W6	4
123	DS03036	Bearing 6009 2RS	1	171	DS03608	Screw CHC M6x20	4
124	DS03506	Screw H M6x16	4		DS03774	Washer W6	4
	DS03786	Washer CS M6	4				
125	DS04609	Spacer 45x55x15	1				
126	DS04607	Bearing Housing	1				
127	DS03090	Seal	1				
128	DS03055	Bearing 6309 2RS	1				
129	DS03070	Circlip 45e	1				
130	DS04590	Planetary Gear 53 teeth	1				
131	DS03616	Screw CHC M12x45	7				
	DS03777	Washer W12	7				
132	DS04583	Upper Housing -no attachment drive	1				
	DS04839	Upper Housing -with attachment drive	1				
133	DS03615	Screw CHC M10x60	4				
	DS03776	Washer W10	4				
134	DS03614	Screw CHC M10x40	8				
	DS03776	Washer W10	8				
135	DS03054	Bearing 6308 2RS	1				
136	DS04603	Driven Pulley	1				
137	DS03521	Screw H M10x25	1				
	DS04605	Washer 60x10.5x4	1				

SUB-ASSEMBLIES	
Part No	Description
DS01259	Beater Shaft Assembly (105+106+115+118)
DS05961	Sun Shaft Assembly - without attachment drive (117-127+129+137)
DS11207	Upper Housing Assembly-without attachment drive (117-121+123-129+132-135+137)
DS11209	Planetary Housing Assembly (101-116)
DS05960	Planetary Gear Assembly (130-133)
DS04600	Planetary Lower Cover Assembly (101-104)

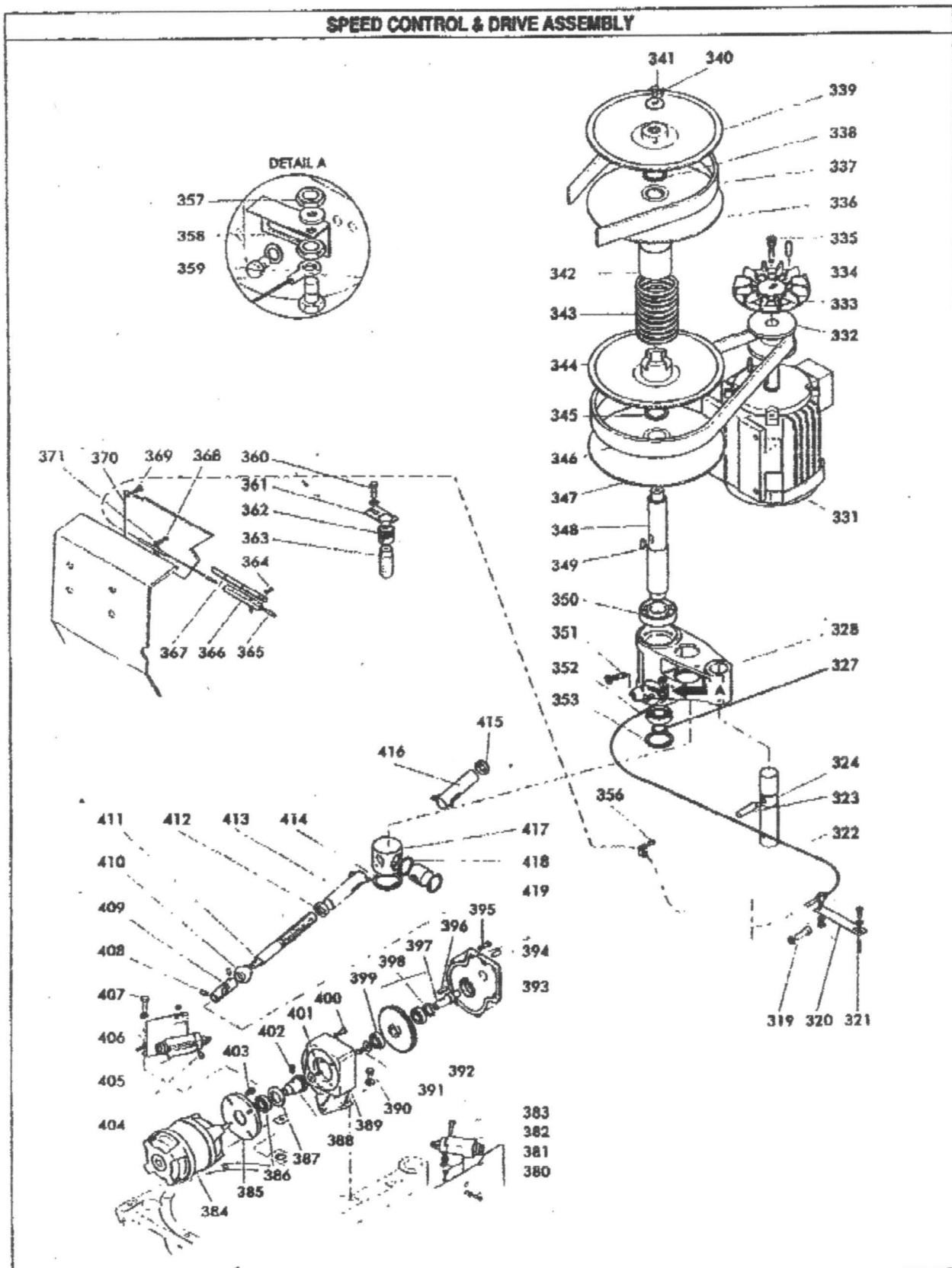
SUB-ASSEMBLIES	
Part No	Description
DS07275	Sun Shaft Assembly - with attachment drive (117+118+120+121+125+137+150-153)
DS11208	Upper Housing Assembly-with attachment drive (117-121+123-129+132-135+137+150-171)
DS02225	Attachment Shaft Assembly (154-156+158+159+162)
DS11210	Attachment Hub Assembly-without gear (154+156-171)
DS11212	Attachment Gear Set (150-155)
DS11213	Barrel Assembly (165-170)



BOWL LIFT ASSEMBLY

Item	Part No	Description	Qty	Item	Part No	Description	Qty
201		Bowl (see EQUIPMENT on page 16)	1	242	DS01964	Key A 5x5x20	2
202	DS03554	Screw F M6x10	2	243	DS04724	Gearbox Housing	1
	DS04775	Washer	2	244	DS04737	Worm 1/18	1
203	DS03647	Pin 12x68/25/25	6	245	DS04758	Washer 15x25x19.1	2
	DS03777	Washer W12	6	246	DS04460	Bush 15x25x19.1	2
	DS03657	Nut Hu M12	6	247	DS04731	Cover	1
204	DS04701	Lower Cover	1	248	DS03607	Screw CHC M6x16	3
205	DS03092	Bracket	2		DS03774	Washer W6	3
206	DS04748	Angle Bracket	1	249	DS04733	Chainwheel	1
207	DS03520	Screw H M10x16	2	250	DS03028	Chain	1
	DS03776	Washer W10	2		DS03027	Chain Link	1
208	DS04747	Chain	1	251	DS03062	Circlip 15e	1
209	DS03759	Washer L10	2	252	DS03507	Screw H M6x16	2
	DS04471	Lock Washer DD10	2		DS03653	Nut Hu M6	2
	DS03656	Nut Hu M10	2	253	DS04754	Tube 60 dia	1
210	DS03507	Screw H M6x16	1	254	DS04356	Screw Hu M6x45	1
	DS03779	Washer CS L6	1		DS03655	Nut Hu M8	1
	DS04404	Washer	1	255	DS03602	Screw CHC M4x40	2
211	DS04753	Location Pin	2		DS03766	Washer DE4	2
212	DS09834	Pin M10x57/26/12	2		DS03651	Nut Hu M4	2
	DS09833	Clip M10	1	256	DS09068	Safety Switch	1
213	DS04755	Shaft	1	257	DS07599	Screw H M6x12	2
214	DS10503	Bowl Clamp Pin - right	1		DS03785	Washer CS M6	2
	DS03654	Nut Hu M8	2	258	DS09748	Safety Switch Bracket	1
	DS10502	Bowl Clamp Pin - left	1	259	DS04719	Bowl Cradle Slide Casting	1
	DS12960	Nut Hu M8 (left hand thread)	1	260	DS04739	Chain Guide	1
	DS03786	Washer CS M8	2	261	DS04700	Cover	1
215	DS05193	Pin G05 8x40	2	262	DS05093	Screw H M8x20	4
216	DS12839	Bowl Clamp - right	1		DS03775	Washer	4
	DS12838	Bowl Clamp - left	1	263	DS10505	Bowl Cradle	1
217	DS05240	Cushion 60x65x30	2	WITH POWER OPERATED BOWL LIFT			
218	DS05087	Screw SHC M8x30	2	Item	Part No	Description	Qty
	DS03662	Nut Hm M8	2	270	DS09763	Cover	1
219	DS03521	Screw H M10x25	1	271	DS09761	Large Pulley	1
	DS03776	Washer W10	1	272	DS03020	Belt Poly V 559J8	1
220	DS04745	Guide	1	273	DS09760	Small Pulley	1
221	DS03557	Screw FHC M10x20	1	274	DS08541	Screw SHC M6x8 st st	1
222	DS05241	Cushion 24x27x20	1	275	DS07599	Screw H M6x12	4
223	DS04743	Central Block	1		DS03785	Washer CS M6x8 st st	4
224	DS03795	Washer 21x16x0.15	2	276	DS09762	Motor Bracket	1
225	DS03613	Screw CHC M10x30	3	277	DS08536	Screw H M8x30	4
	DS03776	Washer W10	3		DS06862	Washer CS L8	4
226	DS07439	Pin G02 5x20	1	278	DS08793	Motor 230/400V 3ph DS11220	1
227	DS04726	Shaft for Bowl Lift Handle	1	279	DS04356	Screw H M8x45	1
228	DS04757	Bowl Lift Handle 1.5" x 8" OBSOLETE	1		DS03655	Nut Hu M8	1
229	DS03701	Pin G01 5x30	1		DS09068	Limit Switch	2
230	DS03547	Screw F M6x16	4	280	DS07599	Screw H M6x12	2
231	DS04729	Cover Plate	1		DS03785	Washer CS M6	2
232	DS04746	Bush 30x50x7.3	1	282	DS09748	Limit Switch Bracket	1
233	DS03524	Screw H M10x55	1	283	DS08536	Screw H M8x30	1
	DS03776	Washer W10	1		DS03655	Nut Hu M8	1
	DS03656	Nut Hu M10	1	284	DS03602	Screw CHC M4x40	4
234	DS03507	Screw H M6x16	1		DS03786	Washer DE 4	4
	DS03779	Washer CS M6	1		DS03551	Nut Hu M4	4
	DS04404	Lock Washer	1	285	DS03701	Pin G01 5x30	1
235	DS04741	Cover	1	SUB-ASSEMBLIES			
236	DS03607	Screw CHC M6x16	3	Part No	Description		
	DS03774	Washer W6	3	DS11214	Bowl Lift Motor Assembly (274+275+276)		
237	DS03758	Washer M10	1				
	DS03656	Nut Hu M10	1				
238	DS04738	Spacer 15x20x21	1				
239	DS04459	Bush 20x26x19.1	2				
240	DS04736	Gear 1/18	1				
241	DS04735	Reduction Shaft	1				

SPEED CONTROL & DRIVE ASSEMBLY



SPEED CONTROL & DRIVE ASSEMBLY

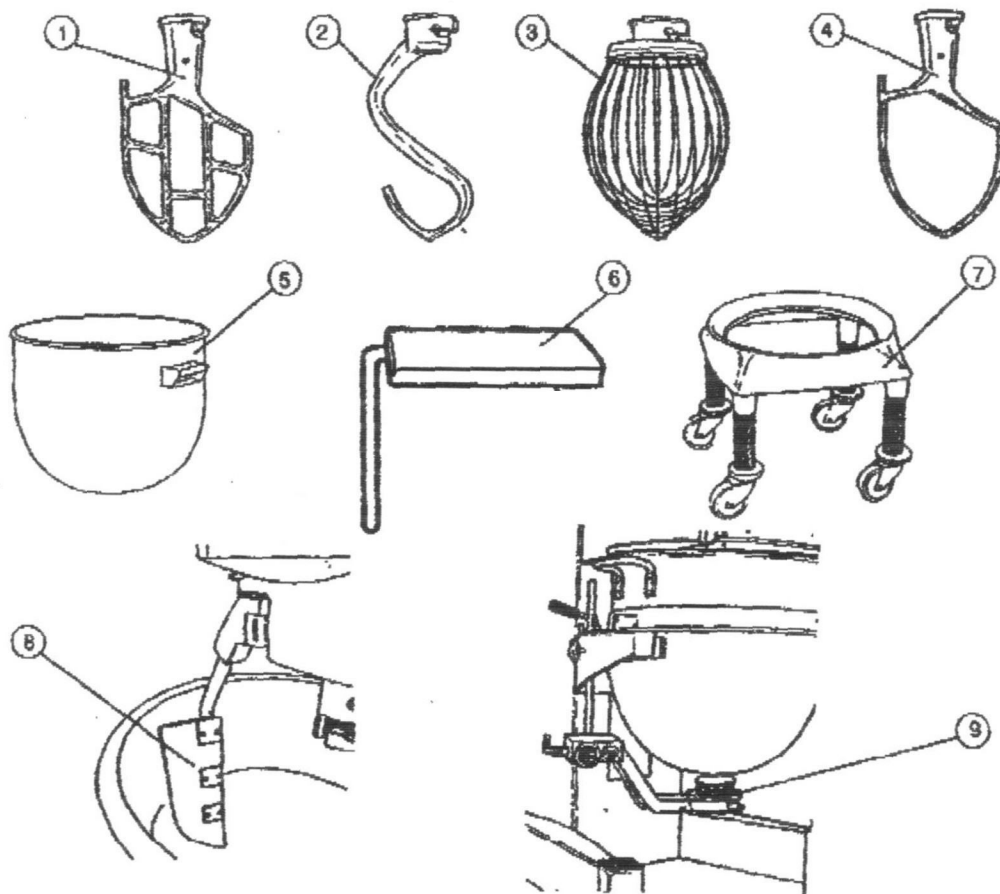
Item	Part No	Description	Qty	Item	Part No	Description	Qty
319	DS03613	Screw CHC M10x30	1	380	DS03507	Screw H M6x16	2
	DS03776	Washer W10	1		DS03779	Washer CS L6	2
320	DS04660	Bracket	1	381	DS09758	Switch Bracket	1
321	DS03616	Screw H M8x12	1	382	DS09068	Limit Switch	1
	DS09015	Washer CS M8	1		DS03478	Actuator	1
322	DS04656	Cable for speed indication	1	383	DS03602	Screw CHC M4x40	2
	DS03768	Washer DE 6	1		DS03766	Washer DE4	2
	DS03653	Nut Hu M6	1		DS03651	Nut Hu M4	2
323	DS03320	Pin G05 12x40	1	384	DS01111	Speed Change Motor - 1 ph	1
324	DS04619	Hinge Pin <i>DS01272</i>	1		DS08793	Speed Change Motor - 3 ph	1
327	DS03069	Circlip 30e	1	365	DS12986	Motor Adaptor	1
328	DS04631	Hinge <i>DS01277</i>	1	366	DS03031	Bearing 6003 2Fs	1
331	DS042573	Motor 230V, 1ph EMX60 <i>DS20477</i>	1	367	DS03230	Seal 24x40x7	1
	DS06714	Motor 230-400V, 3ph EMX60	1	388	DS12856	Gear - 17 teeth	1
	DS08717	Motor 230-400V, 3ph EMX80	1	389	DS12851	Gearbox Housing	1
332	DS04641	Motor Pulley	1	390	DS03517	Screw H M6x16	2
333	DS04639	Motor Fan	1		DS09015	Washer CS M8	2
334	DS03710	Pin G02 8x16	1	391	DS03507	Screw H M6x16	1
335	DS01817	Stud M8x52	1		DS01730	Shaft Washer	1
	DS06862	Washer CS L8	1	392	DS12857	Gear 53 teeth	1
	DS03674	Nut M8	1	393	DS12853	Gearbox Cover	1
336	DS04628	Intermediate Pulley Flange	1	394	DS06756	Pin 8x20	2
337	DS03025	Belt 1365 W 40 <i>OH1012</i>	1	395	DS03507	Screw H M6x16	6
338	DS03806	Washer 45x35x5	1		DS03785	Washer CS M6	6
339	DS04624	Upper Pulley Flange	1	396	DS01719	Key A 5x5x16.5	1
340	DS03719	Pin G05 4x10	1	397	DS12858	Output Shaft	1
341	DS03518	Screw H M8x20	1	398	DS03271	Double Seal 20x26x6	1
	DS03786	Washer CS Z8	1	399	DS12899	Bearing 6002 2RS	2
	DS04637	Washer 35x8.5x4	1	400	DS03500	Screw M5x16	3
342	DS04634	Sleeve	1		DS03791	Washer 5dia	3
343	DS04633	Spring EMX60	1	401	DS03513	Screw H M4x30	1
	DS08642	Spring EMX80	1		DS03751	Washer 4.5x14x2	1
344	DS04628	Intermediate Pulley Flange	1	402	DS08541	Screw SHC M6x8	1
345	DS03806	Washer 45x35x5	1	403	DS03583	Screw SHC M6x12	4
346	DS03024	Belt 875 W 40	1	404	DS03602	Screw SHC M4x40	2
347	DS04621	Lower Pulley Flange	1		DS03768	Washer DE 4	2
348	DS04618	Variable Pulley Shaft	1		DS03651	Nut Hu M4	2
349	DS03379	Key A 10x8x20	1	405	DS09068	Limit Switch	1
350	DS03045	Bearing 6207 2RS1	1		DS03478	Actuator	1
351	DS01817	Stud M8x52	2	406	DS09759	Limit Switch Bracket	1
	DS03654	Nut Hu M8	2	407	DS03616	Screw CHC M12x45	2
352	DS03044	Bearing 6206 2RS	1		DS03777	Washer W12	2
353	DS03078	Circlip 62i	1	408	DS03738	Pin G08 5x20	2
356	DS07635	Coller CV7	1	409	DS12871	Flexible Coupling 12 dia	1
	DS03493	Screw H M4x10	1	410	DS12872	Bush	1
	DS03780	Washer CS M4	1	411	DS12854	Transmission Screw	1
357	DS03500	Screw H M6x16	1	412	DS05296	Bush	1
	DS03767	Washer DE 5	1	413	DS05288	Sleeve	1
	DS03652	Nut Hu M5	1	414	DS03077	Circlip 58i	1
	DS04466	Nut Hu M5	1	415	DS05278	Protection Cover	1
358	DS04662	Bracket	1	416	DS05288	Rear Sleeve	1
359	DS03597	Screw CL M6x12	1	417	DS04635	Speed Variator Nut Housing	1
	DS03779	Washer CS L6	1	418	DS03072	Circlip 35i	2
360	DS03518	Screw H M8x20	2	419	DS12855	Speed Variator Nut	1
	DS03786	Washer CS Z8	2				
361	DS09753	Bracket	1				
362	DS03406	Socket	1				
363	DS03491	Lamp 230V-400V <i>SOWL</i>	1				
364	DS03589	Screw C M4x6	3				
	DS09749	Washer M4	3				
365	DS03338	Neon	1				
366	DS09775	Neon Support	1				
367	DS12959	Neon Slide	1				
368	DS03570	Screw C M4x8	2				
	DS03780	Washer CS M4	2				
369	DS03583	Screw C M6x12	4				
370	DS09765	Protection Plate	1				
371	DS12958	Cable Stop	1				

SUB-ASSEMBLIES

Part No	Description
DS01264	Variable Pulley Assembly [327+340+341+348+349]
DS01266	Intermediate Flanges [336+338+344+345]
DS11215	Hinge Assembly [327+328+340+341+(348-355)+358+359+418]
DS11217	Speed Screw Assembly [408+(411-413)+415+416+419]
DS11218	Flexible Joint assembly [408-410]
DS11219	Sped Indication Cable [(320-322)+356+357]
DS11221	Speed Control Gearbox [385-403]
DS11222	Speed Control Gear Set [388+392]

DS00643 SPEED CONTROL ASSY

EQUIPMENT

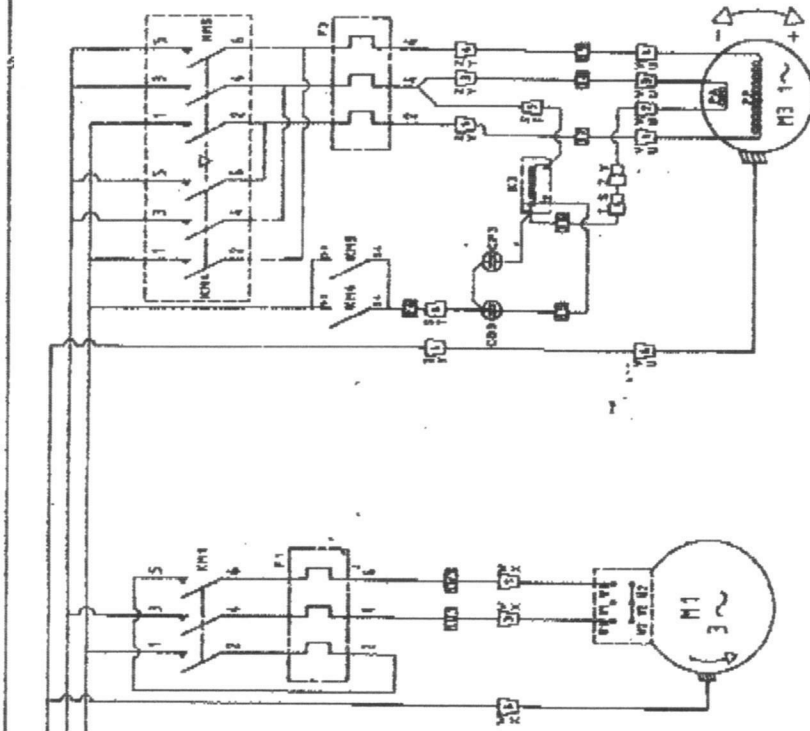


Note
 Equipment must only be used in matching sets, i.e. do not use a beater designed for an 80 litre bowl in a 60 litre bowl. Bowl and matching equipment of 40, 60 and 80 litres capacity can be used on an EM80 Euromixer. Bowl and matching equipment of 40 and 60 litres capacity can be used on an EM60 Euromixer - 80 litre equipment is not recommended for this mixer as a less powerful motor is fitted.

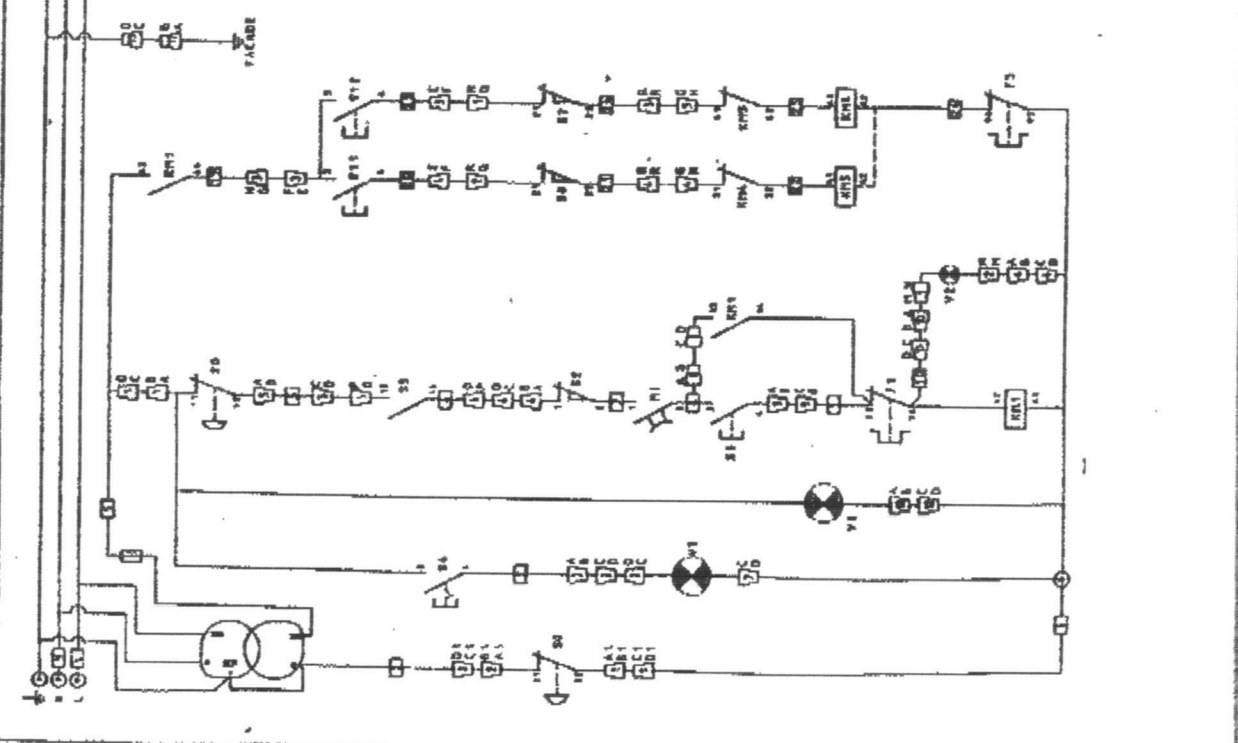
* Standard Equipment supplied with mixer

EMX60 EUROMIXER			EMX80 EUROMIXER		
Item	Part No	Description	Item	Part No	Description
1	DS01851	Beater for 80 litre Bowl*	1	DS08654	Beater for 80 litre Bowl*
	DS02067	Beater for 40 litre Bowl		DS02067	Beater for 40 litre Bowl
2	DS01853	Spiral Dough Hook for 60 litre Bowl*	2	DS08660	Spiral Dough Hook for 80 litre Bowl*
	DS02070	Spiral Dough Hook for 40 litre Bowl		DS02070	Spiral Dough Hook for 40 litre Bowl
3	DS02223	Whisk for 60 litre Bowl*	3	DS02072	Whisk for 40 litre Bowl
	DS02072	Whisk for 40 litre Bowl		DS08661	Strengthened Whisk for 80 litre bowl*
	DS05968	Strengthened Whisk for 60 litre bowl		DS07579	Strengthened Whisk for 40 litre bowl
	DS07579	Strengthened Whisk for 40 litre bowl	4	DS08853	Pastry Knife for 60 litre bowl
4	DS05017	Pastry Knife for 60 litre bowl	5	DS02065	Bowl - 80 litres capacity*
5	DS02224	Bowl - 60 litres capacity*		DS02065	Bowl - 40 litres capacity
	DS02065	Bowl - 40 litres capacity	6	DS07411	Receiving Tray
6	DS07411	Receiving Tray	7	DS12613	Bowl Trolley for 40/60 litre bowl
7	DS12613	Bowl Trolley for 40/60 litre bowl		DS12614	Bowl Trolley for 80 litre bowl
8	DS05969	Bowl Scraper for 60 litre bowl	8	DS05969	Bowl Scraper for 60 litre bowl
9	DS07309	Gas Bowl Heater	9	DS07309	Gas Bowl Heater
	DS08748	Electric Bowl Heater		DS08748	Electric Bowl Heater
Set of Equipment		Comprising Bowl, Beater, Whisk and Spiral Dough Hook (items 1, 2, 3 & 5)	Set of Equipment		Comprising Bowl, Beater, Whisk and Spiral Dough Hook (items 1, 2, 3 & 5)
	DS02192	Set of 60 litre Equipment		TBA	Set of 80 litre Equipment
	DS02121	Set of 40 litre Equipment		DS02121	Set of 40 litre Equipment

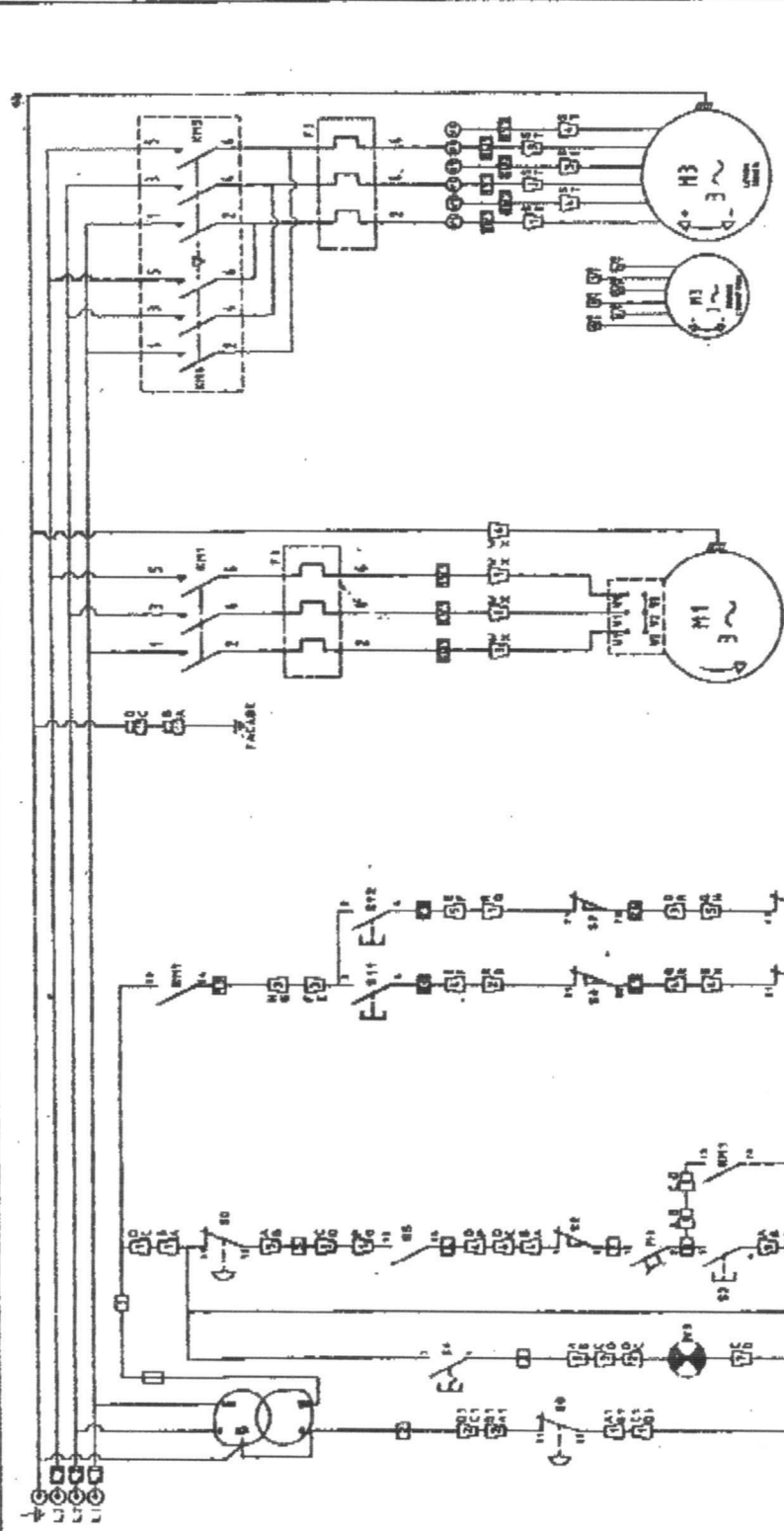
EMX60 ELECTRICAL DIAGRAM - 1PH SUPPLY



Item	Part No	Description
S0	DS10808	Stop Push Button
S2	DS05190	Bowl Safety Switch
S3	DS12164	Start Push Button
S4	DS12165	Bowl Lamp Switch
S5	DS09068	Limit Switch - Bowl Up
S6	DS09770	Limit Switch - Bowl Down
S7	DS09770	Limit Switch - Low Speed
S8	DS09770	Limit Switch - High Speed
S11	DS12164	Push Button - Increase Speed
S12	DS12164	Push Button - Reduce Speed
V1	DS12813	Mains ON Lamp
V2	DS03338	Lamp 230V
V3	DS03491	Lamp Tube 230V 40W
M	DS03487	15 min Timer
T	DS09752	Transformer
F	DS09773	Fuse 5x20 315mA
M1	DS08714	Motor 230V/400V 3ph 1.5kW
M3	DS08793	Motor 230V/400V 1ph 0.25kW
KNM1	DS09766	Contactor 230V/400V 50Hz
KNM4	DS09767	Contactor 230V 50Hz
KNM5	DS09767	Contactor 230V 50Hz
CA	DS09770	Auxiliary Contact
F1	DS09768	Thermal Overload
F3	DS09769	Thermal Overload
F+G+P+R	DS10348	Female Connector 6 positions
S+U+W	DS10348	Female Connector 6 positions
E+H+O+D	DS11347	Male Connector 6 positions
T+V+X	DS11347	Male Connector 6 positions
A+C	DS10224	Female Connector 12 positions
B+D	DS10222	Male Connector 12 positions
N	DS03430	Female Connector 2 positions
M	DS03429	Male Connector 2 positions

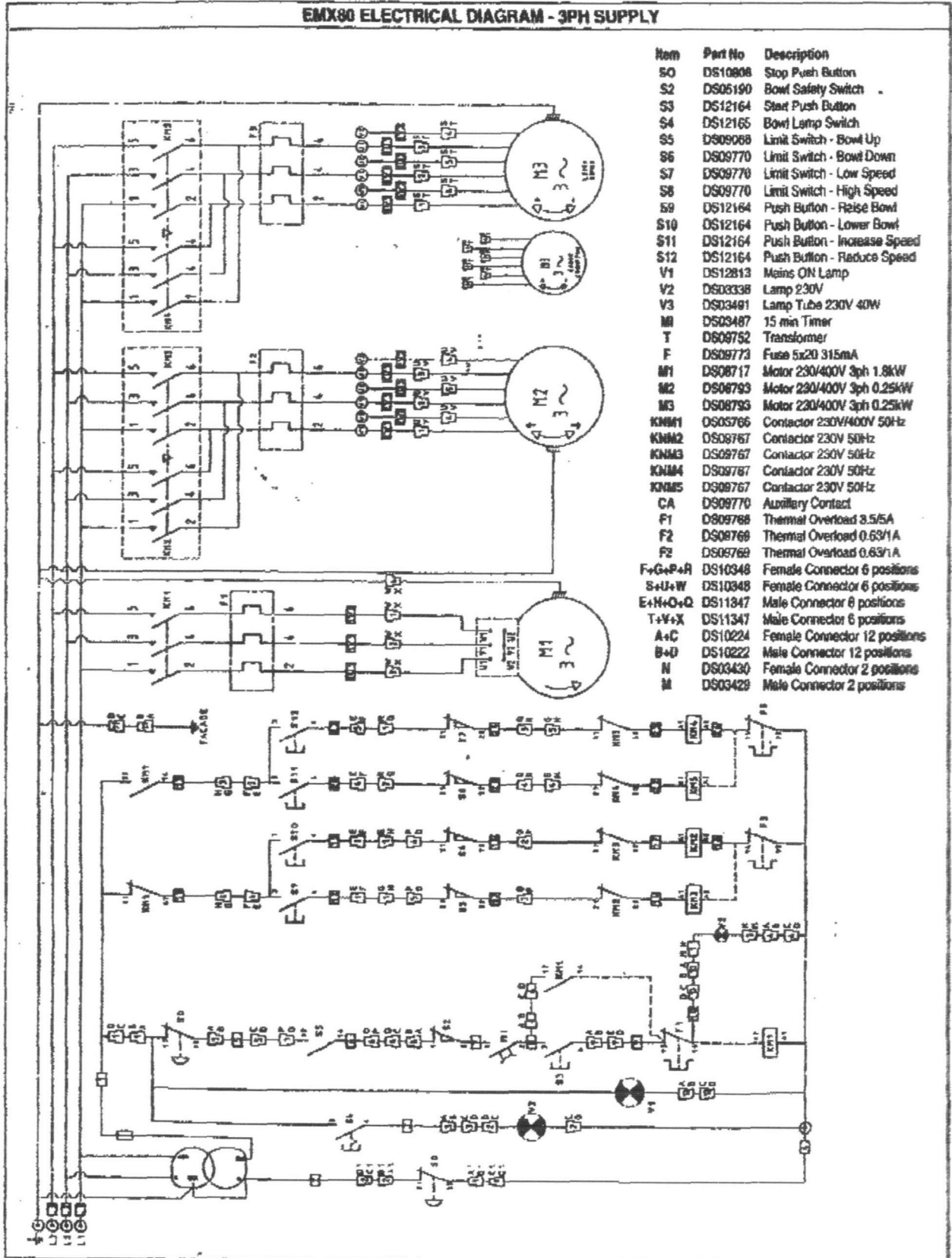


EMX60 ELECTRICAL DIAGRAM - 3PH SUPPLY



Item	Part No	Description
S0	DS10908	Stop Push Button
S2	DS05190	Bowl Safety Switch
S3	DS12164	Start Push Button
S4	DS12165	Bowl Lamp Switch
S5	DS09068	Limit Switch - Bowl Up
S6	DS09770	Limit Switch - Bowl Down
S7	DS09770	Limit Switch - Low Speed
S8	DS09770	Limit Switch - High Speed
S11	DS12164	Push Button - Increase Speed
S12	DS12164	Push Button - Reduce Speed
V1	DS12813	Mains ON Lamp
V2	DS03338	Lamp 230V
V3	DS03491	Lamp Tube 230V 40W
M1	DS03487	15 min Timer
T	DS09752	Transformer
F	DS09773	Fuse 5x20 315mA
M1	DS08714	Motor 230/400V 3ph 1.5kW
M2	DS08793	Motor 230/400V 3ph 0.25kW
K1M1	DS03766	Contactor 230V/400V 50Hz
K1M2	DS09767	Contactor 230V 50Hz
K1M3	DS09767	Contactor 230V 50Hz
CA	DS08770	Auxiliary Contact
F1	DS09768	Thermal Overload 3.5/5A
F2	DS09769	Thermal Overload 0.63/1A
F3	DS09769	Thermal Overload 0.63/1A
F+G+P+R	DS10348	Female Connector 6 positions
S+U+W	DS10348	Female Connector 6 positions
E+H+O+Q	DS11347	Male Connector 6 positions
T+V+X	DS11347	Male Connector 6 positions
A+C	DS10224	Female Connector 12 positions
B+D	DS10222	Male Connector 12 positions
N	DS09430	Female Connector 2 positions
M	DS09429	Male Connector 2 positions

EMX80 ELECTRICAL DIAGRAM - 3PH SUPPLY



Ref	Part No	Description
S0	DS10808	Stop Push Button
S2	DS05190	Bowl Safety Switch
S3	DS12164	Start Push Button
S4	DS12165	Bowl Lamp Switch
S5	DS09088	Limit Switch - Bowl Up
S6	DS09770	Limit Switch - Bowl Down
S7	DS09770	Limit Switch - Low Speed
S8	DS09770	Limit Switch - High Speed
S9	DS12164	Push Button - Raise Bowl
S10	DS12164	Push Button - Lower Bowl
S11	DS12164	Push Button - Increase Speed
S12	DS12164	Push Button - Reduce Speed
V1	DS12813	Mains ON Lamp
V2	DS03338	Lamp 230V
V3	DS03481	Lamp Tube 230V 40W
M	DS03487	15 min Timer
T	DS09752	Transformer
F	DS09773	Fuse 5x20 315mA
M1	DS08717	Motor 230/400V 3ph 1.8kW
M2	DS08793	Motor 230/400V 3ph 0.25kW
M3	DS08793	Motor 230/400V 3ph 0.25kW
KNM1	DS05766	Contactor 230V/400V 50Hz
KNM2	DS08767	Contactor 230V 50Hz
KNM3	DS08767	Contactor 230V 50Hz
KNM4	DS08767	Contactor 230V 50Hz
KNM5	DS08767	Contactor 230V 50Hz
CA	DS09770	Auxiliary Contact
F1	DS09768	Thermal Overload 3.5/5A
F2	DS09768	Thermal Overload 0.63/1A
F2	DS09768	Thermal Overload 0.63/1A
F+G+P+R	DS10348	Female Connector 6 positions
S+U+W	DS10348	Female Connector 6 positions
E+H+O+Q	DS11347	Male Connector 6 positions
T+V+X	DS11347	Male Connector 6 positions
A+C	DS10224	Female Connector 12 positions
B+D	DS10222	Male Connector 12 positions
N	DS03430	Female Connector 2 positions
M	DS03429	Male Connector 2 positions