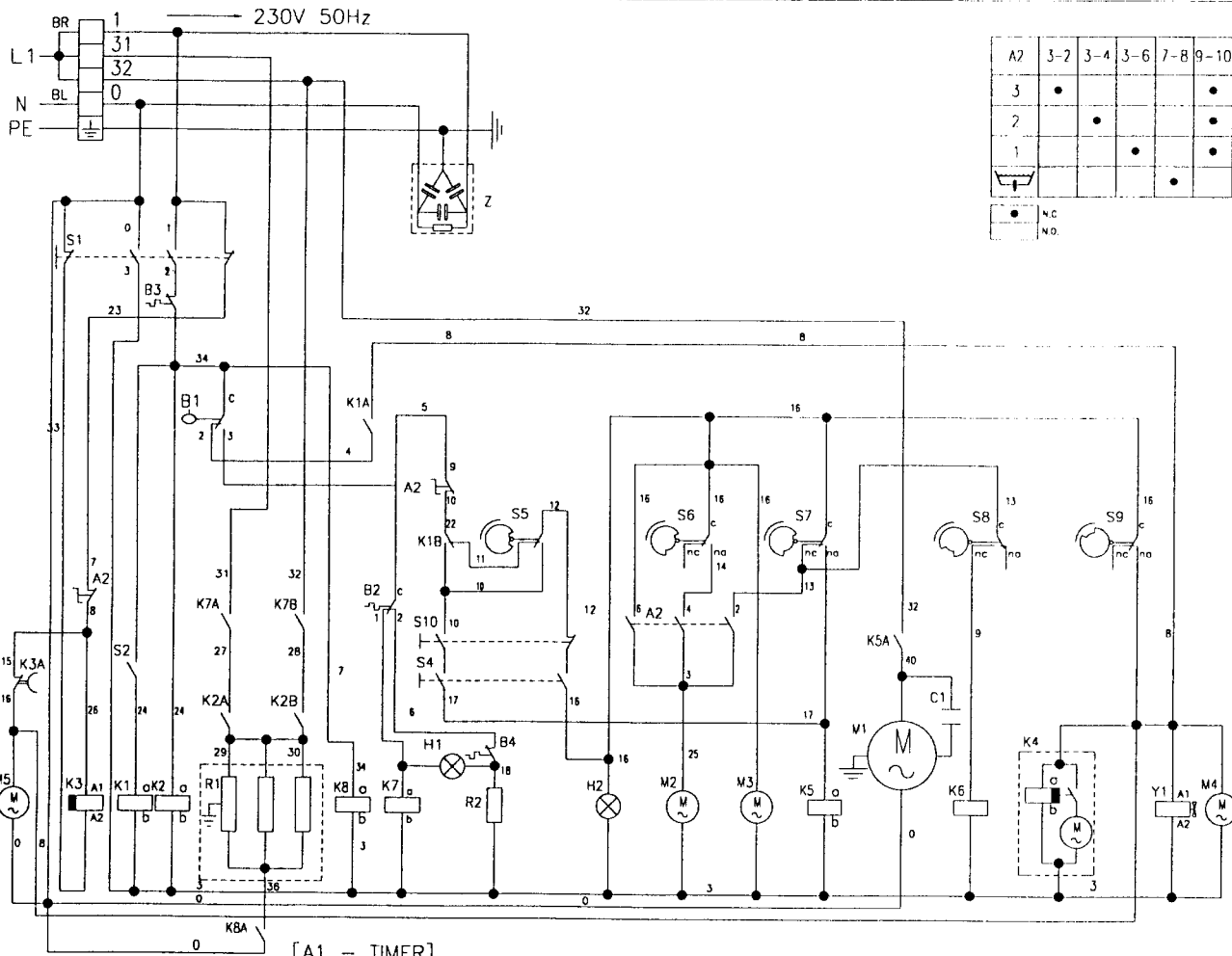
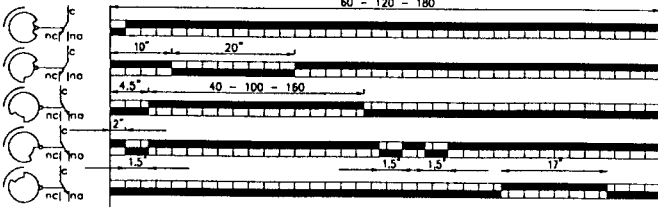


**PROFI L25**  
**PROFI L20**  
**KRONUS MK61T**  
**KRONUS MK61S**  
**LP80**  
**LP80H**  
**LP93**  
**LP155**



A2	3-2	3-4	3-6	7-8	9-10
3	•				•
2		•			•
1			•		•
				•	
	n.c.				
	n.d.				

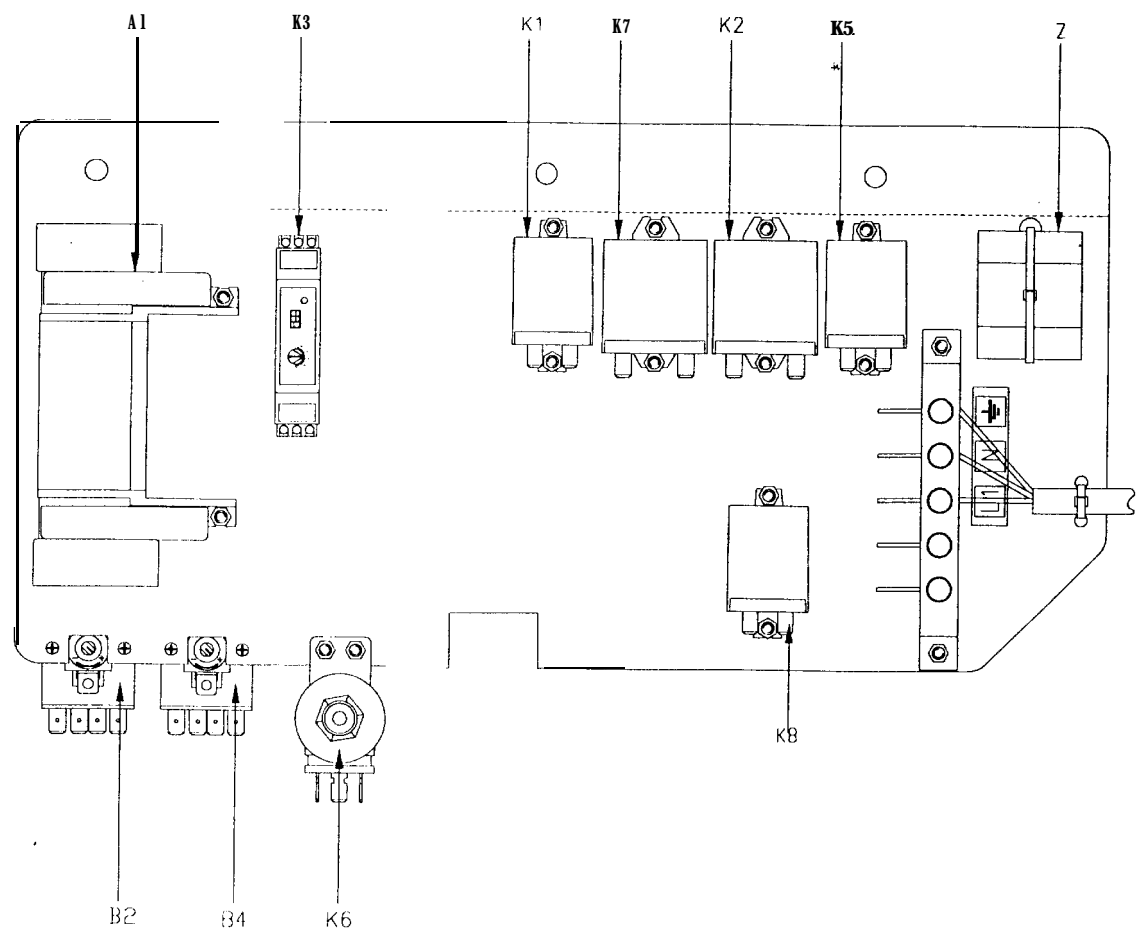
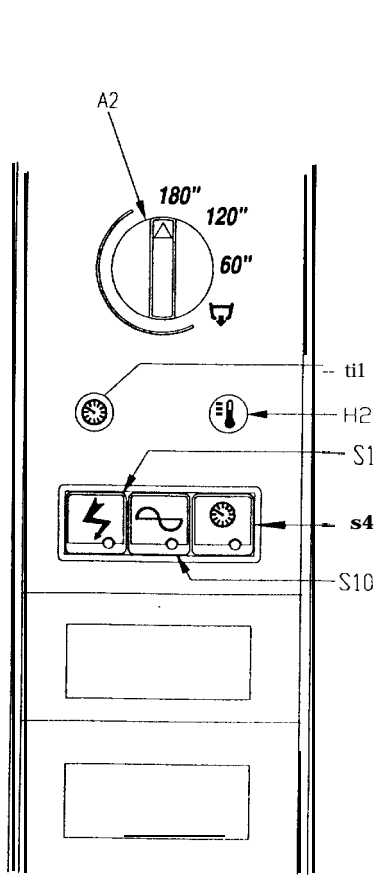
S10	INTERRUTTORE LAVAGGIO MANUALE MANUAL WASH PUSH BUTTON	INTERRUPTEUR LAVAGE MANUEL MANUELLE SPUELSCHALTER
S4	INTERRUTTORE DI CICLO CYCLE SWITCH	INTERRUPTEUR DE DEMARRAGE WASCHVORGANGSSCHALTER
S2	MICROINTERRUTTORE MAGNETICO MAGNETIC SAFETY MICROSWITCH	MICROINTERRUPTEUR MAGNETIQUE MAGNETISCHER SICHERHITSSCHALTER
S1	INTERRUTTORE DI LINEA MAIN SWITCH	INTERRUPTEUR DE LIGNE NETZSCHALTER
R2	RESISTENZA VASCA LAVAGGIO WASH TANK HEATING ELEMENT	RESISTANCE CUVE DE LAVAGE WASCHTANKHEIZUNG
R1	RESISTENZA BOILER BOOSTER HEATER HEATING ELEMENT	RESISTANCE BOYLER BOILERHEIZUNG
M5	ELETTROPOMPA DI SCARICO DRAIN PUMP	ELECTROPOMPE DE VINDAGE EL. LAUGENPUMPE
M4	ELETTROPOMPA AUMENTO PRESSIONE RINSE BOOSTER PUMP	ELECTROPOMPE AUGMENT PRESSION DRUCKSTEUERUNGSPUMPE
M3	MOTORE LENTO TIMER TIMER SLOW MOTOR	MOTEUR LENT PROGRAMMATEUR LANGSAMER PROGRAMMSCHAHALTERMOTOR
M2	MOTORE VELOCE TIMER TIMER FAST MOTOR	MOTEUR RAPIDE PROGRAMMATEUR SCHENNER..PROGRAMMSCHAHALTERMOTOR
M1	ELETTROPOMPA LAVAGGIO WASH ELECTRIC PUMP	ELECTROPOMPE LAVAGE ELEKTRISCHE UMAELZPUMPE
K7A	CONTATTI AUSILIARI SU K7 AUXILIARY CONTACTS ON K7	CONTACTS AUXILIAIRES SUR K7 HILFSKONTAKTE ZU K7
K6	ELETTRODOSATORE TENSOATTIVO EL. RINSE/ID INJECTOR	DOSEUR EL. PRODUIT RINCAGE NACHSPUELMITTELDOSIERGERAET
K5	RELE' ELETTROPOMPA LAVAGGIO RELAY FOR EL. WASH PUMP	RELAIS ELECTROPOMPE LAVAGE KREISELPUMPENRELAIS
K4	ELETTRODOSATORE DETERGIVO EL. DETERGENT INJECTOR	DOSEUR EL. DETERGENT SPUEL MITTELDOSIERGERAET
K3A	CONTATTO TEMPORIZZATO SU K3 TIMER ACTIVATED CONTACT ON K3	CONTACT TEMPORISEUR SUR K3 PROGRAMMSCHALTER GESTUERTER KONTAKT
K3	TEMPORIZZATORE SCARICO VASCA TANK DRAIN TIMER	TEMPORISATEUR VINDAGE CURE ZEITGEBER WANNE-ABFLUSS
K2A	CONTATTI AUSILIARI SU K2 AUXILIARY CONTACTS ON K2	CONTACTS AUXILIAIRES SUR K2 HILFSKONTAKTE ZU K2
K7 K8	RELE' SICUREZZA BOILER SAFETY BOOSTER HEATER ELEMENT	RELAIS RESISTANCE BOILER NACHSPUELHEIZUNGRELAIS
K1A K1B	CONTATTI AUSILIARI SU K1 AUXILIARY CONTACTS ON K1	CONTACTS AUXILIAIRES SUR K1 HILFSKONTAKTE ZU K1
K1	RELE AUSILIARIO AUXILIARY RELAY	RELAIS AUXILIAIRE HILFESRELAIS
H2	LAMPADA SPIA DI CICLO CYCLE PILOT LAMP	LAMPE TEMOIN DE LIGNE NETZKONTROLLAMPE
H1	LAMPADA SPIA MACCHINA PRONTA MACHINE READY PILOT LAMP	TEMOIN MACHINE PRETE A L'EMPLOY MACHINE BETRIEBSBEREIT-KONTROLLAMPE
C1	CONDENSATORE CONDENSER	CONDENSATEUR KONDENSATOR
B4	TERMOSTATO RESISTENZA VASCA TANK HEATER THERMOSTAT	THERMOSTAT RESISTANCE DE CUVE TANKHEIZUNG/THERMOSTAT
B3	TERMOSTATO SICUREZZA BOILER SAFETY BOOSTER HEATER THERMOSTAT	THERMOSTAT DE SECURITE DU BOYLER SICHERHEIZUNG
B2	TERMOSTATO RESISTENZA BOILER BOOSTER HEATER THERMOSTAT	THERMOSTAT RESISTANCE BOILER BOILERHEIZUNG
B1	PRESSOSTATO LIVELLO VASCA TANK PRESSURE SWITCH	PRESSOSTAT NIVEAU AIRGAP TANKDRUCKSCHALTER-NIVEAUREGLER
A2	SELETORE CICLO LAVAGE WASH CYCLE COMMUTATOR	SELECTEUR CYCLE WASCHSCHALTER FUER WASCHVORGANGSDAUER
A1	PROGRAMMATEUR CYCLE TIMER	PROGRAMMATEUR CYCLAGE PROGRAMMSCHALTERWERK SPUEL PROGRAMM
SIMB.	DESCRIZIONE DESCRIPTION	DESCRIPTION BESCHREIBUNG



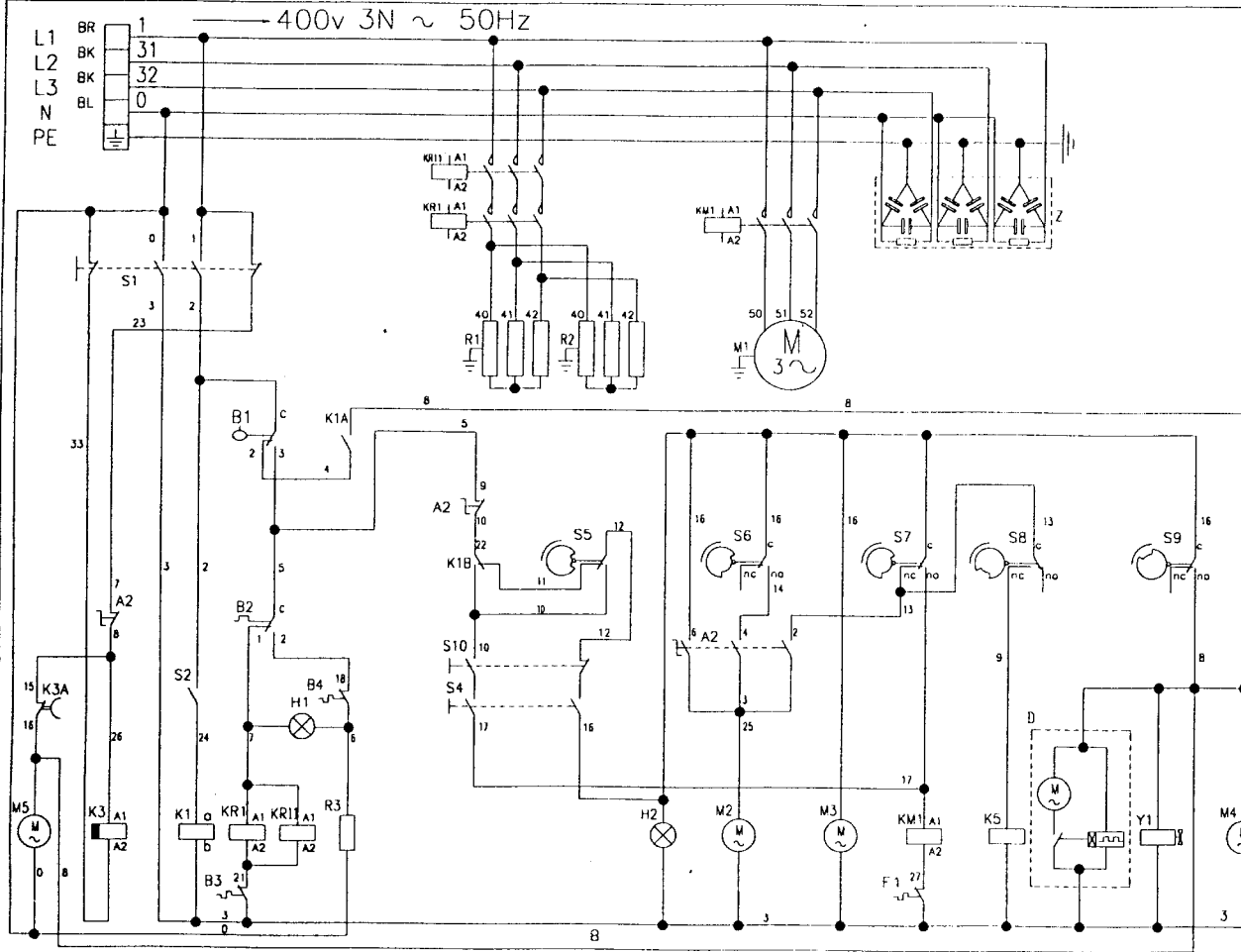
S5	AUTOALIMENTAZIONE TIMER POWER SUPPLY	ALIMENTATION PROGRAMMATEUR PROGRAMMSCHALTERVERSORGUNG
S6	CAMMA CICLO 120' 120' CYCLE CAM	CAMF CYCLE 120' 120' WASHVORGANGSNOCKEN
S7	LAVAGGIO WASH	LAVAGE SPUELEN
S8	DOSATORE TENSOATTIVO RINSE-AID INJECTOR	DOSEUR EL. PRODUIT RINCAGE NACHSPUELMITTELDOSIERGERAET
S9	RISCIACQUO RINSE	RINCAGE NACHSPUELUNG

* Z	FILTRO ANTIDISTURBO RADIOINTERFERENCE FILTER	FILTRES ANTIPARASSIRES STOERSCHUTZEINRICHTUNG
Y1	ELETTROVALVOLA RISCIACQUO RINSE SOLENOID VALVE	ELECTROVANNE DE RINCAGE MAGNETVENT FUER NACHSPUELUNG

codice/code	KRODM PLS0062KRONUM	denominazione / denominazione	
data/checked	24/01/00	SCHEMA ELETTRICO WIRING DIAGRAMM	disegno n°/file
data/inspected by	24/01/00		
validato date/validated by	24/01/00	sostit. dis./replace n°	data/date
			81144

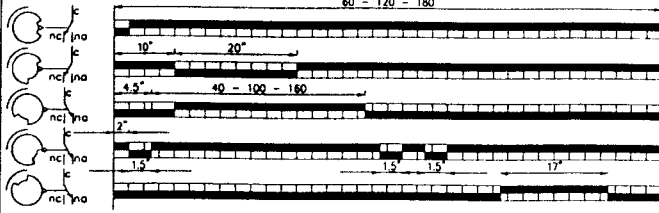


codice/code PLS062KRONUSM		denominazione / denominazione SCHEMA ELETTRICO WIRING DIAGRAMM	
progettato da <i>[Signature]</i>	data/date 24/01/00		
verificato da <i>[Signature]</i>	data/date 24/01/00	disegno n°/file 81144L	
validato da/validated by <i>[Signature]</i>	data/date 24/01/00	sostit. dis./replace n°	data/date



[A1 - TIMER]

60 - 120 - 180



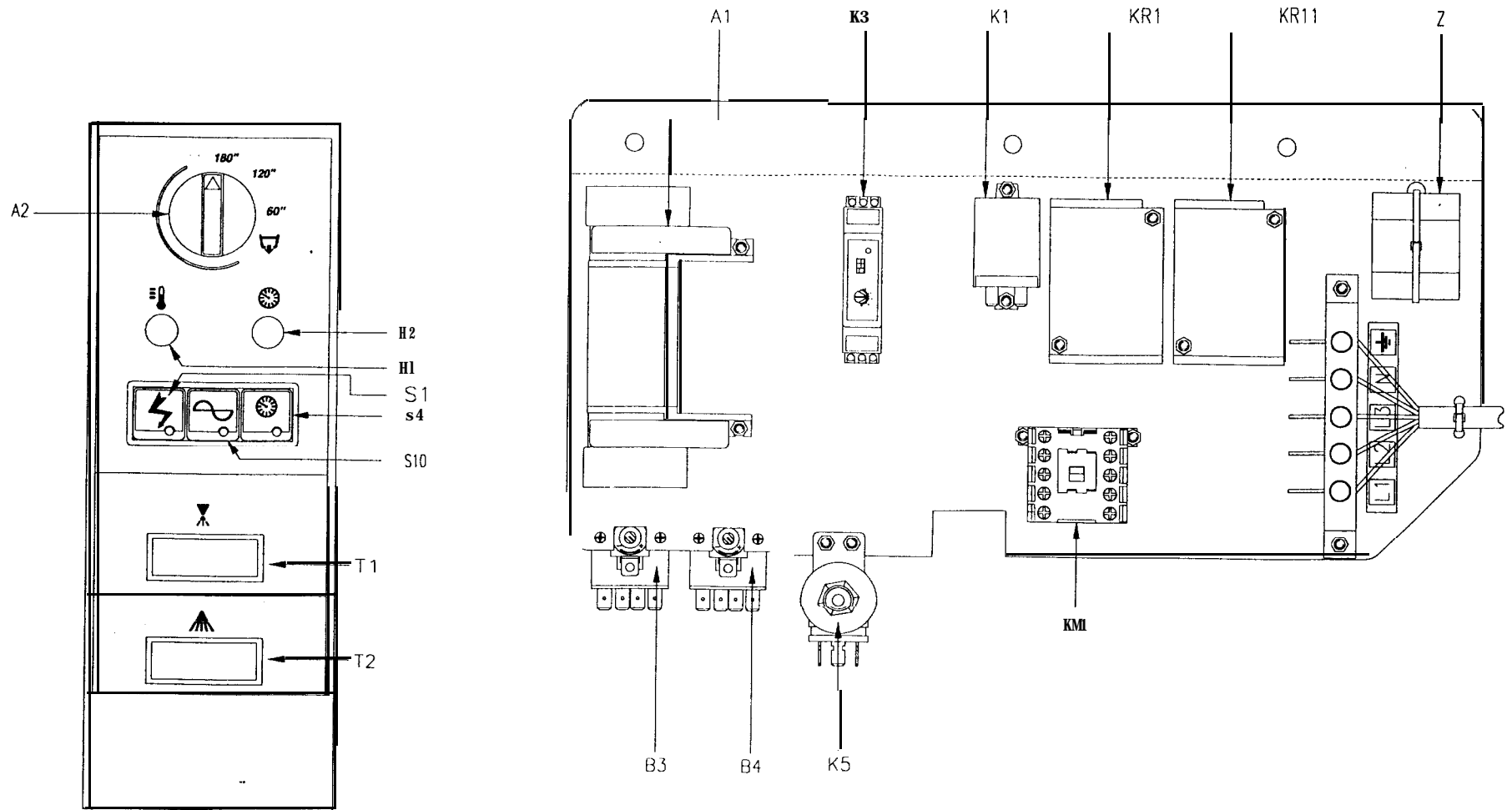
	S5	S5	AUTOALIMENTAZIONE TIMER POWER SUPPLY	ALIMENTATION PROGRAMMEUR PROGRAMMSCHALTERVORSORUNG
	S6	S6	CAMMA CICLO 120° 120° CYCLE CAM	CAME CYCLE 120° 120° WASHVORGANGSNOCKEN
	S7	S7	LAVAGGIO WASH	LAVAGE SPUELEN
	S8	S8	DOSATORE TENSOATTIVO RINSE-AID INJECTOR	DOSEUR EL PRODUIT RINCAGE NACHSPUELMITTELDOSIERGERAET
	S9	S9	RISCIACQUO RINSE	RINCAGE NACHSPUELUNG

A2	3-2	3-4	3-6	7-8	9-10
3	*	*	*	*	*
2	*	*	*	*	*
1	*	*	*	*	*
1	*	*	*	*	*

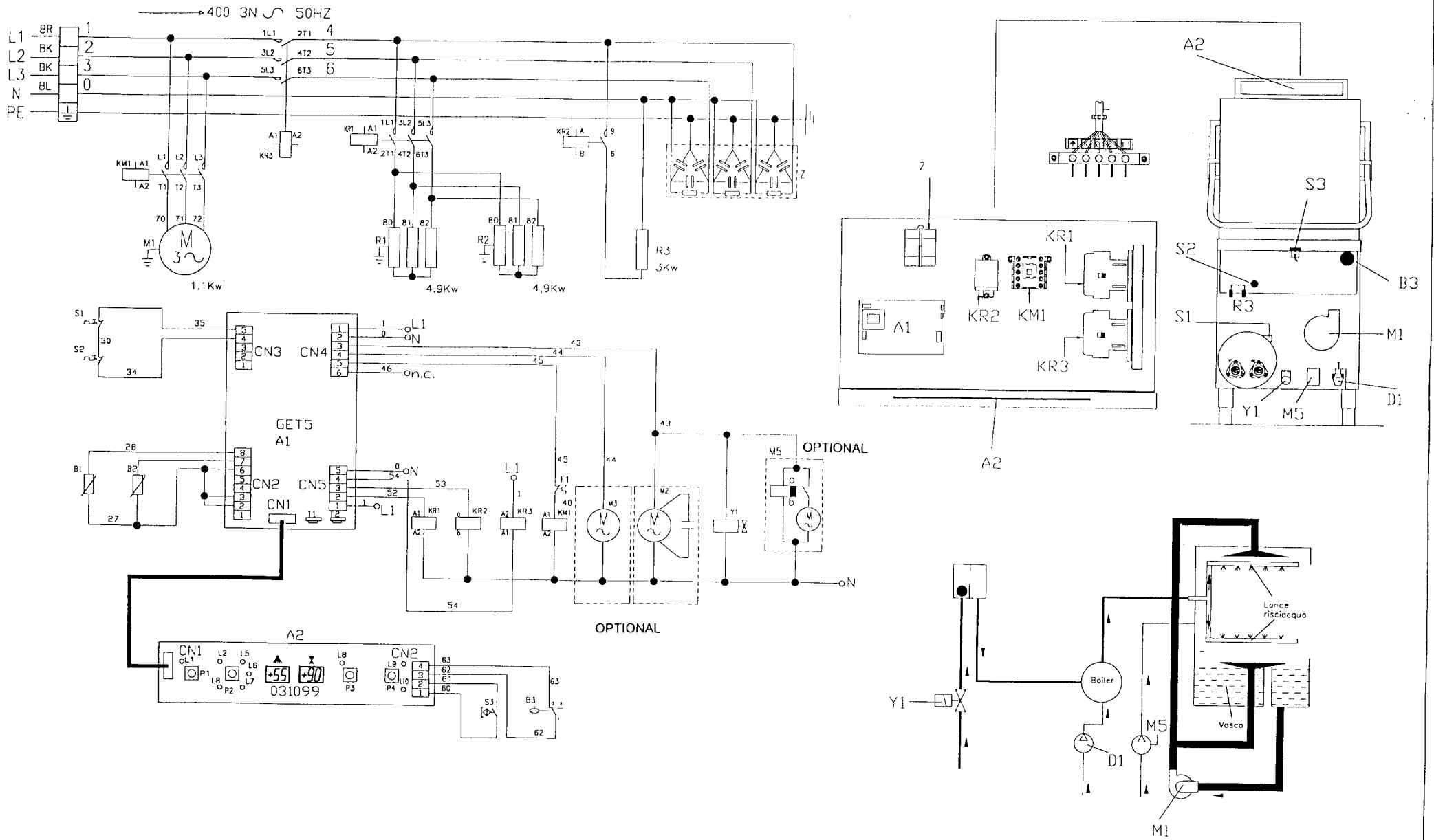
Z	FILTRO ANTIDISTURBO RADIOINTERFERENCE FILTER	FILTRES ANTIPARASSIRES STOERSCHUTZLEINRICHTUNG
Y1	ELETTROVALVOLA RISCICQUO RINSE SOLENOID VALVE	ELECTROVANNE DE RINCAGE MAGNETVENTIL FUER NACHSPUELUNG
S10	INTERRUTTORE LAVAGGIO MANUALE MANUAL WASH PUSH BUTTION	INTERRUPTEUR LAVAGE MANUEL MANUELLE SPUELSCHALTER

S4	INTERRUTTORE DI CICLO CYCLE SWITCH	INTERRUPTEUR DE DEMARRAGE WASCHVORGANGSSCHALTER
S2	MICROINTERRUTTORE MAGNETICO MAGNETIC SAFETY MICROSWITCH	MICROINTERRUPTEUR MAGNETIQUE MAGNETISCHER SICHERHEITSSCHALTER
S1	INTERRUTTORE DI LINEA MAIN SWITCH	INTERRUPTEUR DE LIGNE NETZSCHALTER
R3	RESISTENZA VASCA LAVAGGIO WASH TANK HEATING ELEMENT	RESISTANCE CUVE DE LAVAGE WASHTANKHEIZUNG
R1R2	RESISTENZA BOILER BOOSTER HEATER HEATING ELEMENT	RESISTANCE BOYLER BOILERHEIZUNG
M5	ELETTROPOMPA DI SCARICO DRAIN PUMP	ELETTROPOMPE DE VINDAGE EL. LAUGENPUMPE
M4	ELETTROPOMPA AUMENTO PRESSIONE RINSE BOOSTER PUMP	ELETTROPOMPE AUGMENT PRESSION DRUCKSTUEIGERUNGSPUMPE
M3	MOTORE LENTO TIMER TIMER SLOW MOTOR	MOTEUR LENT PROGRAMMATEUR LANGSAMER PROGRAMMSCHAHALTERMOTOR
M2	MOTORE VELOCE TIMER TIMER FAST MOTOR	MOTEUR RAPIDE PROGRAMMATEUR SCHENNER PROGRAMMSCHALTERMOTOR
M1	ELETTROPOMPA LAVAGGIO WASH ELECTRIC PUMP	ELETTROPOMPE LAVAGE ELEKTRISCHE UMAELZPUMPE
KR11	TELERUTTORE SICUREZZA RESISTENZA BOILER SAFETY BOOSTER HEATER CONTACTOR	CONTACTEUR RESISTANCE BOYLER LUFTSCHUETZ F. BOILERHEIZUNG
KR1	TELERUTTORE RESISTENZA BOILER BOOSTER HEATER CONTACTOR	CONTACTEUR RESISTANCE BOYLER LUFTSCHUETZ F. BOILERHEIZUNG
KM1	TELERUTTORE ELETTROPOMPA LAVAGGIO WASH PUMP CONTACTEUR	CONTACTEUR ELETTROPOMPE LAVAGE SCHUETZ F. UMWAEELPUMPE
K5	ELETTRODOSATORE TENSOATTIVO EL. RINSE AID INJECTOR	DOSEUR EL. PRODUIT RINCAGE NACHSPUELMITTELDOSIERGERAET
K3A	CONTATTO TEMPORIZZATO SU K3 TIMER ACTIVATED CONTACT ON K3	CONTACT TEMPORISE SUR K3 PROGRAMMSCHALTER GESTUERTER KONTAKT
K3	TEMPORIZZATORE SCARICO VASCA TANK DRAIN TIMER	TEMPORISATEUR VINDAGE CURE ZEITGEBER WANNE-ABFLUSS
K1A K1B	CONTATTI AUSILIARI SU K1 AUXILIARY CONTACTS ON K1	CONTACTS AUXILIAIRES SUR K1 HILFSKONTAKTE ZU K1
K1	RELE AUSILIARIO AUXILIARY RELAY	REALIS AUXILIAIRE HILFSRELAIS
H2	LAMPADA SPIA DI CICLO CYCLE PILOT LAMP	LAMPE TEMOIN DE LIGNE NETZKONTROLLAMPE
H1	LAMPADA SPIA MACCHINA PRONTA MACHINE READY PILOT LAMP	TEMOIN MACHINE PRETE A L'EMPLOY MACHINE BETRIEBSBEREIT-KONTROLLAMPE
F1	PROTEZIONE TERMICA ELETTROPOMPA EL. WASH PUMP THERMAL PROTECTION	PROT. THERMIQUE MOTEUR EL. POMPE THERMISHER MOTORSCHULTZ
D	ELETTRODOSATORE DETERSIVO EL. DETERGENT INJECTOR	DOSEUR EL. DETERGENT SPUEL MITTELDOSIERGERAET
B4	TERMOSTATO RESISTENZA VASCA TANK HEATER THERMOSTAT	THERMOSTAT RESISTANCE DE CUVE TANKHEIZUNG THERMOSTAT
B3	TERMOSTATO SICUREZZA BOILER SAFETY BOOSTER HEATER THERMOSTAT	THERMOSTAT DE SECURITE DU BOYLER SICHERHEITZUNG
B2	TERMOSTATO RESISTENZA BOILER BOOSTER HEATER THERMOSTAT	THERMOSTAT RESISTANCE BOYLER BOILERHEIZUNG
B1	PRESSOSTATO LIVELLO VASCA TANK PRESSURE SWITCH	PRESSOSTAT NIVEAU AIRGAP TANKDRUCKSCHALTER-NIVEAUREGLER
A2	SELETTORE CICLO CYCLE COMMUTATOR	SELECTEUR CYCLE WAEHLSCHALTER FUER WASCHVORGANGSDAUER
A1	PROGRAMMATORE CYCLE TIMER	PROGRAMMATEUR CYCLAGE PROGRAMMSCHALTEWERK SPUEL PROGRAMM
SIMB.	DESCRIZIONE DESCRIPTION	DESCRIPTION BESCHREIBUNG

codice/code	PLS0062KRD	denominazione / denomination	SCHEMA ELETTRICO WIRING DIAGRAMM	disegno n°/file	81145
disegnato da / designed by		data/date	21/01/00		
verificato da / checked by		data/date	21/01/00		
validato da / validated by		data/date	21/01/00	sostit. da / replace n°	data/date



DATA DATUM DATE DATE	29/07/98	CODE	PLS0062
RIESAMINATO /RE-EXAMINED/NACHGEPRÜFT REXAMINE		DENOMINAZIONE DENOMINATION DENOMINATION BEZEICHNUNG	
VERIFICATO /INSPECTED BY/CONTROLE PAR GEPRÜFT VON		SCHEMA ELETTRICO - SCHEMA ELECTRIQUE WIRING DIAGRAMM - SCHALTPLAN	
VALIDATO DA /VALIDATED/VALIDE BESTÄTIGT		DISEGNO N. DESSIN N. DRAWING N. ZEICHNUNG N.	FILE
SOSTIT. DIS REMPLACE SUPOS. DWG ERSETZT	001800	81145L	
THIS DRAWING CANNOT BE PUBLISHED, REPRODUCED OR COPIED, TOTALLY OR PARTIALLY, NEITHER IN ITALY NOR ABROAD.			

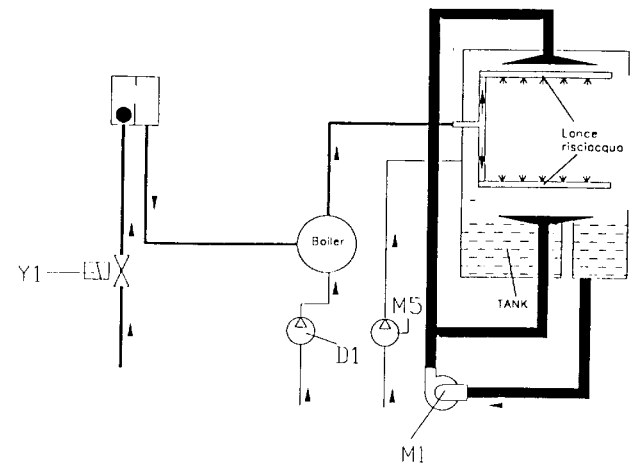
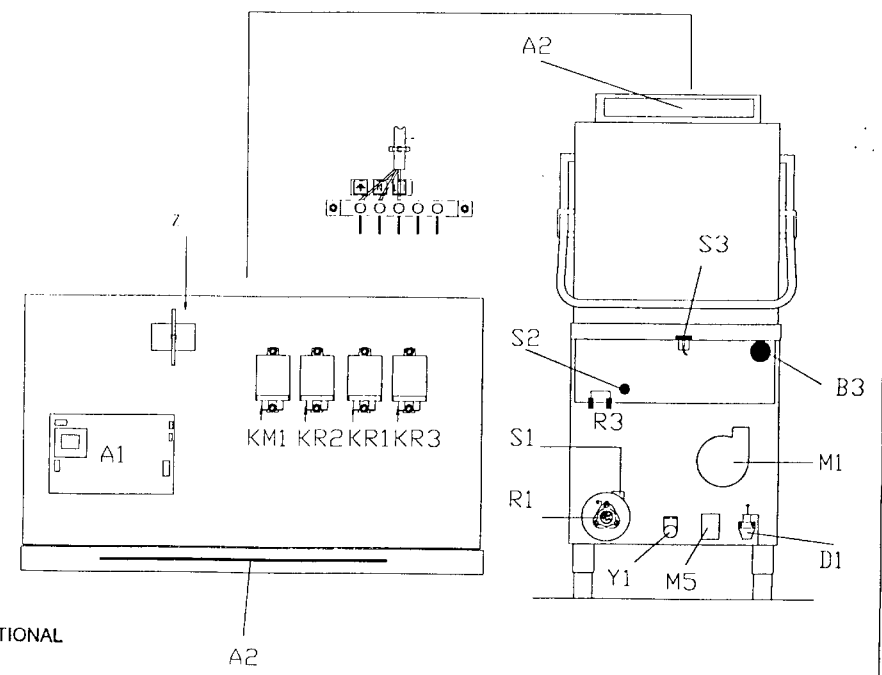
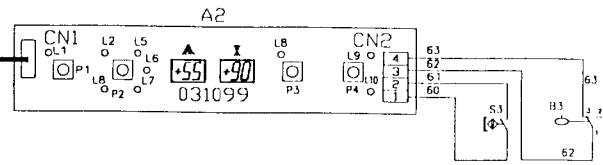
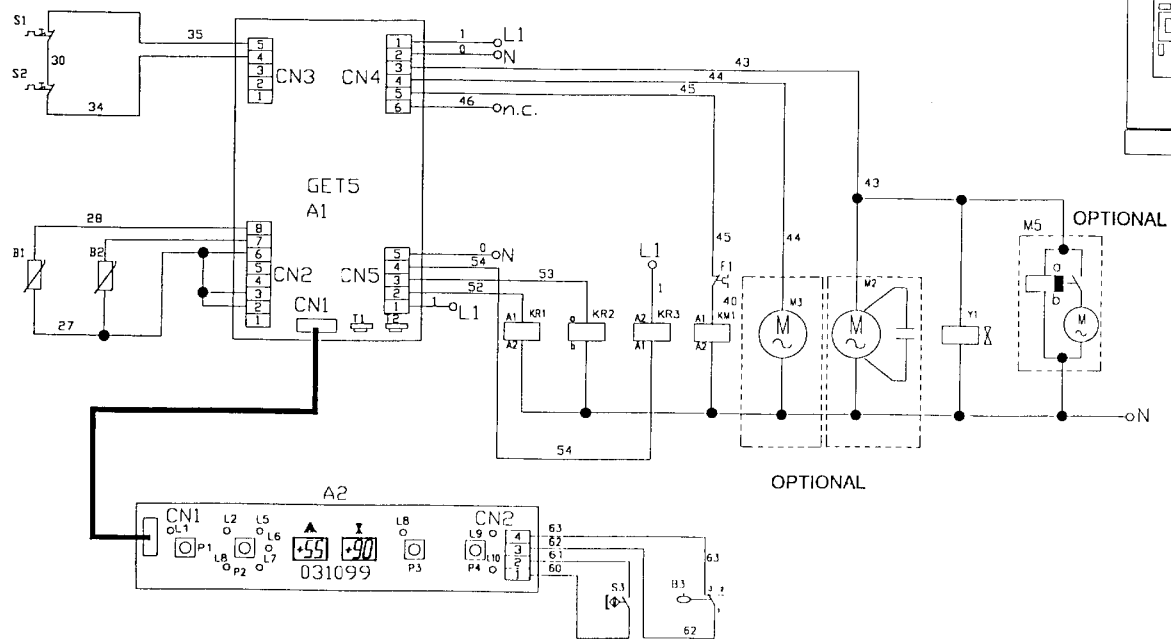
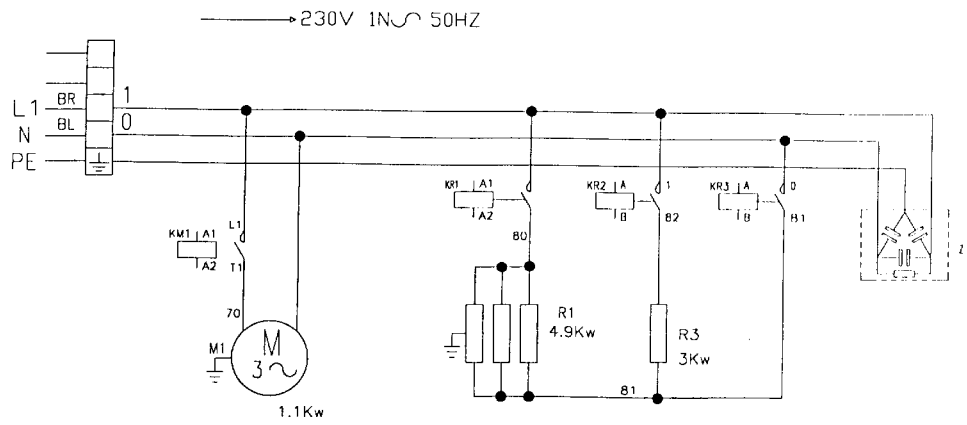


codice/code		denominazione / denominazione	
PLS110PRO		SCHEMA ELETTRICO WIRING DIAGRAM	
disegnato da	data/date	verificato da/insistito da	disegno n°/file
<i>[Signature]</i>	04/02/00	<i>[Signature]</i>	81140
validato da/vollado da	data/date	sostit. dis/renplace n°	data/date
<i>[Signature]</i>	04/02/00		

SIMBOLO	DESCRIZIONI	DESCRIPTIONS	BESCHREIBUNGEN
A1	PANNELLO COMANDI CONTROL PANEL	TABLEAU DE COMMANDES	BEDIENUNGSPANEEL
A2	SCHEDA CONTROLLO ELETTRONICA ELECTRONIC CONTROL UNIT	FICHE DE CONTROLEELECTRONIQUE	ELEKTRONISCHE BEDIENUNGSKARTE
B1	SONDA RESISTENZA VASCA PROBE TANK HEATER	THERMOSTAT RESISTENCE DE CUVE	THANKHEIZUNG THERMOSTAT
B2	SONDA RESISTENZA BOILER BOOSTER HEATER THERMOSTAT	THERMOSTAT RESISTANCE BOYLER	BOILERHEIZUNG -THERMOSTAT
B3	PRESSOSTATO LIVELLO VASCA TANK PRESSURE SWITCH	PRESSOSTAT NIVEAU CUVE	DRUCKSCHALTER TANK-NIVEAUREGLER
D1	DOSATORE TENSIOATTIVO RNSAID INJECTOR	DOSEUR PRODUIT RINCAGE	NACHSPUELMITTELDOSIERGERAET
F1	PROTEZIONE TERMICA ELETTROPOMPA EL. WASH PUMP THERMAL PROTECTION	PROT. TERMIQUE MOTEUR EL. POMPE	THERMISCHER MOTORPUMPESCHUTZ
KM1	TELERUTTORE ELETTROPOMPA LAVAGGIO WASH ELECTROPUMP REMOTE-CONTROL	TELERUPTEUR ELECTROPOMPE DE LAVAGE	FERNSCHALTER DER WASCH-ELEKTROPUMPE
KR1	TELERUTTORE RESISTENZA BOILER BOOSTER HEATER REMOTE -CONTROL	TELERUPTEUR RESISTANCE SURCHAUFFEUR	FERNSCHALTER DER BOILER-HEIZUNG
KR2	TELERUTTORE SICUREZZA SAFETY HEATER REMOTE-CONTROL	TELERUPTEUR DE SECURITE SURCHAUFFEUR	SICHERHEITS-FERNSCHALTER DES BOILERS
M1	ELETTROPOMPA LAVAGGIO WASH MOTOR PUMP	ELECTROPOMPE LAVAGE	WASCH-MOTORPUMPE
M2	ELETTROPOMPA AUMENTO PRESSIONE RINSE BOOSTER PUMP	ELECTROPOMPE SURPRESSEUSE DE RINCAGE	DRUCKSTEIGERUNGSPUMPE
M3	ELETTROPOMPA SCARICO DRAIN PUMP	ELECTROPOMPE DE VINDAGE	EL. LAUGENPUMPE
M5	MOTORE DOSATORE DETERSIVO RINSE AID DISPENSER MOTOR	MOTEUR DOSEUR TENSIOACTIF	NACHSPÜLUNGSMITTELDOSIERGERÄT-MOTOR
P1	PULSANTE LINEA MAIN SWITCH	INTERRUPTEUR DE LIGNE	NETZSCHALTER
P2	PULSANTE SELETTORE CICLO CYCLE COMMUTATOR	SELECTEUR CYCLE	WAEHLSCHALTER FUER WASCHVORGANGSDAUER
P3	PULSANTE PARTENZA AUTOMATICA AUTOMATIC START PUSH BOTTON	INTERREPTEUR DEMARRAGE AUTOMATIC	AUTOMATISCHER START WAEINSCALTER
P4	PULSANTE START CICLO START PUSH BOTTON	INTERREPTEUR DE DEMARRAGE	WASCHVORGANGSSSCHALTER
R1/R2	RESISTENZA BOILER BOOSTER HEATER HEATING ELEMENT	RESISTANCE SURCHAUFFEUR	BOILERHEIZUNG
R3	RESISTENZA VASCA WASH TANK HEATING ELEMENT	RESISTANCE CUVE DE LAVAGE	WASCHTANKHEIZUNG
S1	TERMOSTATO SICUREZZA BOILER SAFETY BOOSTER HEATER THERMOSTAT	THERMOSTAT DE SECURITE DU BOYLER	BOILER-SICHERHEITS-THERMOSTAT
S2	TERMOSTATO SICUREZZA VASCA TANK SAFETY HEATER THERMOSTAT	THERMOSTAT SECURITE CUVE	SICHERHEITS- TANKTHERMOSTAT
S3	MICROINTERRUPTORE MAGNETICO MAGNETIC MICROSWITCH	MICROINTERRUPTEUR MAGNETIQUE	MAGNETISCHER MIKROSCHALTER
Y1	ELETTROVALVOLA RIEMPIMENTO FILLING SOLENOID VALVE	ELECTROVALVE REMPLISSAGE SURCHAUFFEUR	SOLENOIDVENTIL DER TANKFÜLLUNG
Z	FILTRO ANTIDISTURBO RADIOINTERFERANCE FILTER	FILTRES ANTIPARASITER	STÖRSCHUTZEINRICHTUNG

PLS110PRO

N° 81140D



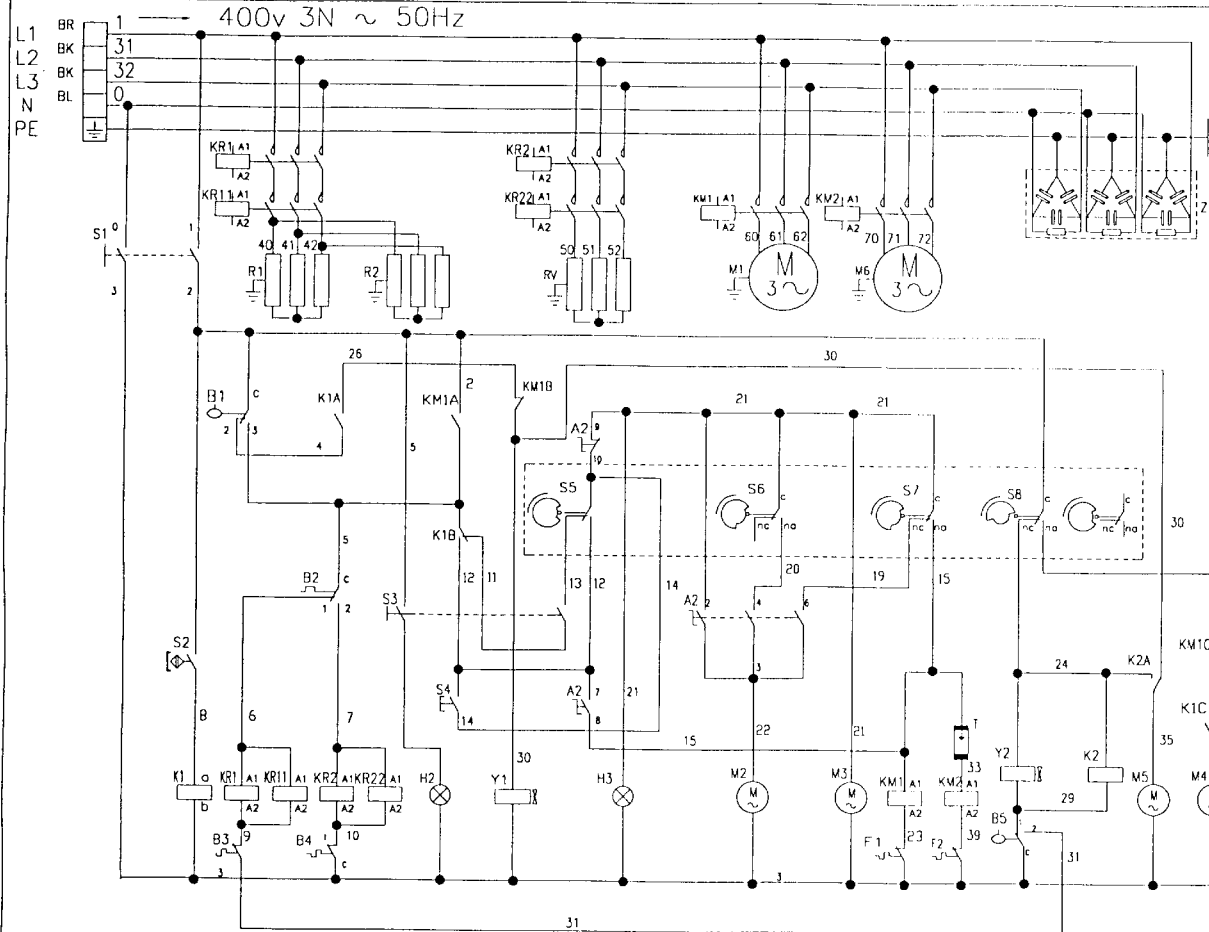
codice/code		denominazione / denominazione	
PLS110PRUM		SCHEMA ELETTRICO WIRING DIAGRAM	
disegnato da / designed by	data/date		disegno n°/file
verificato da / inspected by	data/date		
validato da / validated by	data/date	sostit. dis/replace n°	data/date
	04/02/00		81141



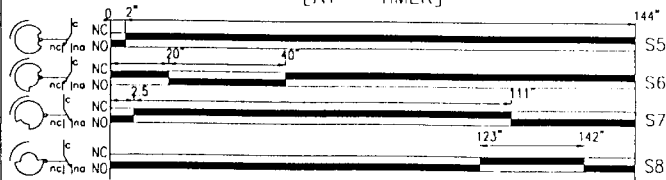
SIMBOLO	DESCRIZIONI	DESCRIPTIONS	BESCHREIBUNGEN
A1	PANNELLO COMANDI CONTROL PANEL	TABLEAU DE COMMANDES	BEDIENUNGSPANEEL
A2	SCHEDA CONTROLLO ELETTRONICA ELECTRONIC CONTROL UNIT	FICHE DE CONTROLEELECTRONIQUE	ELEKTRONISCHE BEDIENUNGSKARTE
B1	SONDA RESISTENZA VASCA PROBE TANK HEATER	THERMOSTAT RESISTENCE DE CUVE	THANKHEIZUNG THERMOSTAT
B2	SONDA RESISTENZA BOILER BOOSTER HEATER THERMOSTAT	THERMOSTAT RESISTANCE BOYLER	BOILERHEIZUNG -THERMOSTAT
B3	PRESSOSTATO LIVELLO VASCA TANK PRESSURE SWITCH	PRESSOSTAT NIVEAU CUVE	DRUCKSCHALTER TANK-NIVEAUREGLER
D1	DOSATORE TENSIOATTIVO RNSAID INJECTOR	DOSEUR PRODUIT RINCAGE	NACHSPUELMITTELDOSIERGERAET
F1	PROTEZIONE TERMICA ELETTRPOMPA EL. WASH PUMP THERMAL PROTECTION	PROT. TERMIQUE MOTEUR EL. POMPE	THERMISCHER MOTORPUMPESCHUTZ
KM1	TELERUTTORE ELETTRPOMPA LAVAGGIO WASH ELECTROPUMP REMOTE-CONTROL	TELEREUPTEUR ELECTROPOMPE DE LAVAGE	FERNSCHALTER DER WASCH-ELEKTROPUMPE
KR1	TELERUTTORE RESISTENZA BOILER BOOSTER HEATER REMOTE -CONTROL	TELERUPTEUR RESISTANCE SURCHAFFEUR	FERNSCHALTER DER BOILER-HEIZUNG
KR2	TELERUTTORE SICUREZZA SAFETY HEATER REMOTE-CONTROL	TELERUPTEUR DE SECURITE SURCHAFFEUR	SICHERHEITS-FERNSCHALTER DES BOILERS
M1	ELETTRPOMPA LAVAGGIO WASH MOTOR PUMP	ELECTROPOMPE LAVAGE	WASCH-MOTORPUMPE
M2	ELETTRPOMPA AUMENTO PRESSIONE RINSE BOOSTER PUMP	ELECROPOMPE SURPRESSEUSE DE RINCAGE	DRUCKSTEIGERUNGSPUMPE
M3	ELETTRPOMPA SCARICO DRAIN PUMP	ELETTROPOMPE DE VINDAGE	EL. LAUGENPUMPE
M5	MOTORE DOSATORE DETERSIVO RINSE AID DISPENSER MOTOR	MOTEUR DOSEUR TENSIOACTIF	NACHSPÜLUNGSMITTELDOSIERGERÄT-MOTOR
P1	PULSANTE LINEA MAIN SWITCH	INTERRUPTEUR DE LIGNE	NETZSCHALTER
P2	PULSANTE SELETTORE CICLO CYCLE COMMUTATOR	SELECTEUR CYCLE	WAHLSCHALTER FUER WASCHVORGANGSDAUER
P3	PULSANTE PARTENZA AUTOMATICA AUTOMATIC START PUSH BOTTON	INTERREPTEUR DEMARRAGE AUTOMATIC	AUTOMATISCHER START WAEINSCALTER
P4	PULSANTE START CICLO START PUSH BOTTON	INTERREPTEUR DE DEMARRAGE	WASCHVORGANGSSSCHALTER
R1/R2	RESISTENZA BOILER BOOSTER HEATER HEATING ELEMENT	RESISTANCE SURCHAUFFEUR	BOILERHEIZUNG
R3	RESISTENZA VASCA WASH TANK HEATING ELEMENT	RESISTANCE CUVE DE LAVAGE	WASCHTANKHEIZUNG
S1	TERMOSTATO SICUREZZA BOILER SAFETY BOOSTER HEATER THERMOSTAT	THERMOSTAT DE SECURITE DU BOYLER	BOILER-SICHERHEITS-THERMOSTAT
S2	TERMOSTATO SICUREZZA VASCA TANK SAFETY HEATER THERMOSTAT	THERMOSTAT SECURITE CUVE	SICHERHEITS- TANKTHERMOSTAT
S3	MICROINTERRUTTORE MAGNETICO MAGNETIC MICROSWITCH	MICROINTERRUPTEUR MAGNETIQUE	MAGNETISCHER MIKROSCHALTER
Y1	ELETTROVALVOLA RIEMPIMENTO FILLING SOLENOID VALVE	ELECTROVALVE REPLISSAGE SURCHAUFFEUR	SOLENOIDVENTIL DER TANKFÜLLUNG
Z	FILTRO ANTIDISTURBO RADIOINTERFERANCE FILTER	FILTRES ANTIPARASITER	STÖRSCHUTZEINRICHTUNG

PLS110PROM

N° 81141D

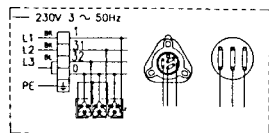


[A1 - TIMER]



S5	AUTOALIMENTAZIONE TIMER POWER SUPPLY	ALIMENTAZIONE PROGRAMMATA (R) PROGRAMMSCHALTERVORSORUNG
S6	CAMMA CICLO 120° 120° CYCLE CAM	CAMB. CYCLE 120° 120° WASHVORGANGSNOCKEN
S7	LAVAGGIO WASH	LAVAGGI SPULLEN
S8	RISCIACQUO RINSE	RINSCAGE NACHSPUELUNG

A2	3-7	3-4	3-6	7-8	9-10
1	*	*	*	*	*
2	*	*	*	*	*
1	*	*	*	*	*
2	*	*	*	*	*

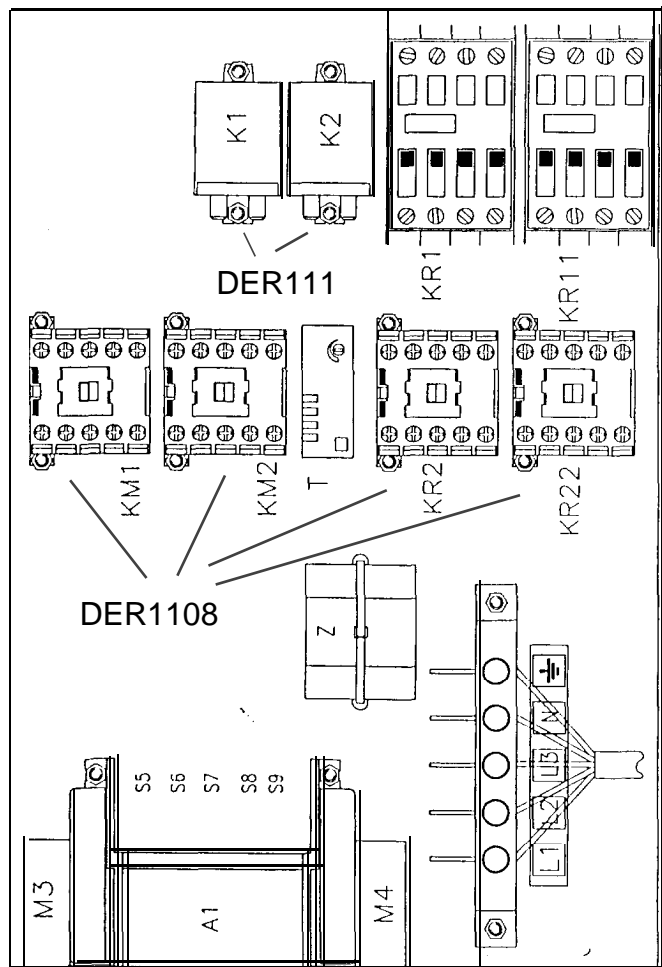


Z	FILTRO ANTIDISTURBO RADIOINTERFERENCE FILTER	FILTRES ANTIPARASSIRES STOERSCHUTZANRICHTUNG
Y1	ELETTROVALVOLA RIEMPIIMENTO VASCA ING. BOILER FILLING ELECTRIC VALVE	FRA SOUPEPE ELECTRIQUE REMPLISSAGE CUVE I/D ELEKTROVENTIL DER WANNENFUELLUNG
Y2	ELETTROVALVOLA RIEMPIIMENTO BOILER ING. BOILER FILLING ELECTRIC VALVE	FRA SOUPEPE ELECTRIQUE REMPLISSAGE CHAUFFE-EAU I/D ELEKTROVENTIL DER WANNENFUELLUNG
T	CONTATTO TEMPORIZZATO AUSILIARE TIMED AUXILIARY CONTACT	CONTACT AUXILIAIRE TEMPORISE ZEITREGULIERT HILFSKONTAKT

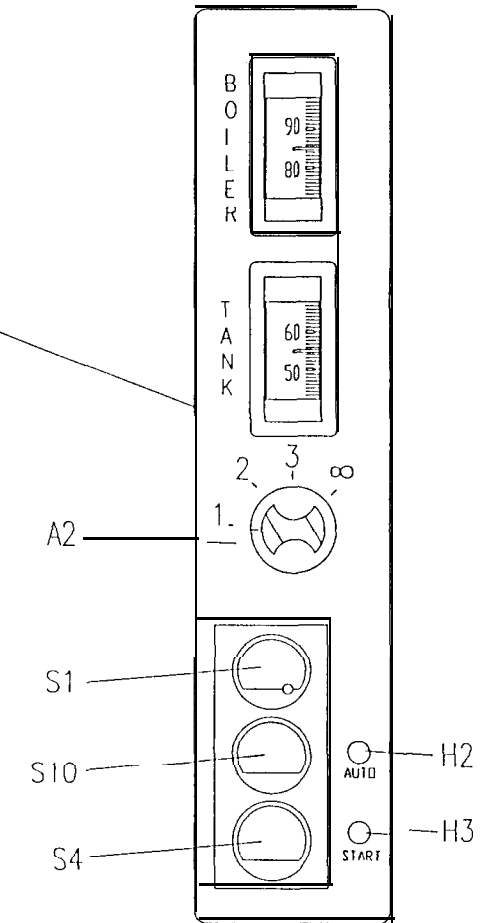
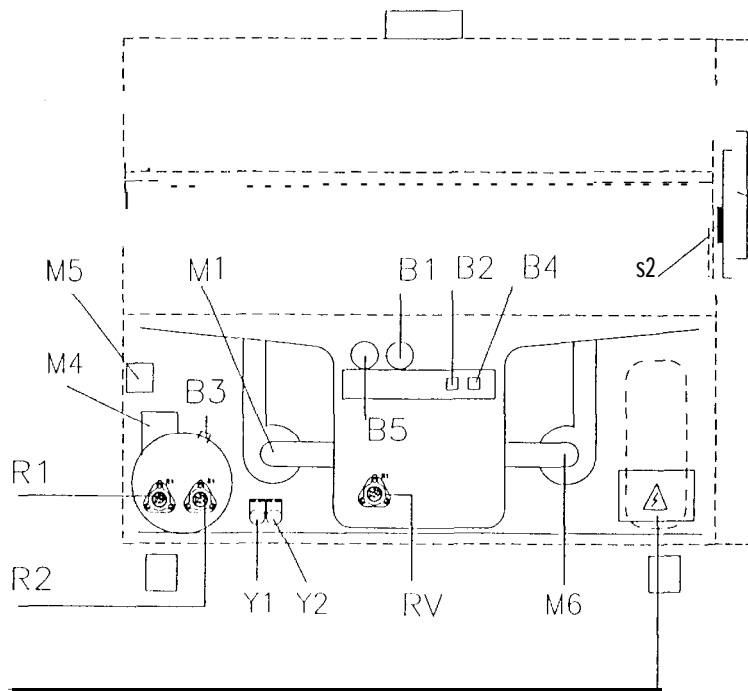
S4	PULSANTE AVO' CICLO CYCLE PUSH BOTTON	INTERRUTTORE DE DEMARRAGE WASCHVORGANGSSCHALTER
S3	INTERRUTTORE PARTENZA AUTOMATICA AUTOMATIC START SELECTOR SWITCH	INTERRUTTORE DEMARRAGE AUTOMATIQUE AUTOMATISCHER START WEINSCHALTER
S2	MICROINTERRUTTORE MAGNETICO MAGNETIC SAFETY MICROSWITCH	MICROINTERRUTTORE MAGNETISCHER MAGNETISCHER SICHERHEITSSCHALTER
S1	INTERRUTTORE DI LINEA MAIN SWITCH	INTERRUPTEUR DE LIGNE NETZSCHALTER
RV	RESISTENZA VASCA LAVAGGIO WASH TANK HEATING ELEMENT	RESISTANCE CUVE DE LAVAGE WASCHTANKHEIZUNG
R1 R2	RESISTENZA BOILER BOOSTER HEATER HEATING ELEMENT	RESISTANCE BOYLER BOILERHEIZUNG
M5	MOTORE DOSATORE DETERGENTE DETERGENT INJECTOR MOTOR	MOTEUR DOSEUR DETERGENT DRUCKSTIEGERUNGSPUMPE
M4	ELETTROPOMPA AUMENTO PRESSIONE RINSE BOOSTER PUMP	ELECTROPOMPE AUGMENT PRESSION DRUCKSTIEGERUNGSPUMPE
M3	MOTORE LENTO TIMER TIMER SLOW MOTOR	MOTEUR LENT PROGRAMMATEUR LANGSAMER PROGRAMMSCHALTERMOTOR
M2	MOTORE VELOCE TIMER TIMER FAST MOTOR	MOTEUR RAPIDE PROGRAMMATEUR SCHNELLER PROGRAMMSCHALTERMOTOR
M1/M6	ELETTROPOMPA LAVAGGIO WASH ELECTRIC PUMP	ELECTROPOMPE LAVAGE ELEKTROSCHE UMWELZPUMPE
KR11	TERLUTTORE SICUREZZA RESISTENZA BOILER SAFELY BOOSTER HEATER CONTACTOR	CONTACTEUR RESISTANCE BOYLER LUFTSCHUETZ F. BOILERHEIZUNG
KR1	TERLUTTORE RESISTENZA BOILER BOOSTER HEATER CONTACTOR	CONTACTEUR RESISTANCE BOYLER LUFTSCHUETZ F. BOILERHEIZUNG
KM1	TERLUTTORE ELETTROPOMPA LAVAGGIO WASH PUMP CONTACTEUR	CONTACTEUR ELECTROPOMPE LAVAGE SCHUETZ F. UMWELZPUMPE
KR2	TERLUTTORE RESISTENZA VASCA WASH TANK HEATING CONTACTOR	CONTACTEUR RESISTENCE DE CUVE LUFTSCHUETZ F. HEIZUNG WASHTANK
KR22	TERLUTTORE SICUREZZA RESISTENZA VASCA SAFETY WASH TANK HEATING CONTACTOR	CONTACTEUR DE SECURITE RESIS. DE CUVE LUFTSCHUETZ F. HEIZUNG WASHTANK
H3	LAMPADA SPIA DI CICLO CYCLE PILOT LAMP	LAMPE TEMOIN DE LIGNE NETZKONTROLLAMPE
H2	LAMPADA SPIA PARTENZA AUTOMATICA AUTOMATIC START PILOT LAMP	LAMPE TEMOIN DEMARRAGE AUTOMATISCHER START KONTROLLAMPE
K3A	CONTATTO TEMPORIZZATO SU K3 TIMER ACTIVATED CONTACT ON K3	CONTACT TEMPORISE SUR K3 PROGRAMMSCHALTER GESTUERTER KONTAKT
K1/K2	RELE AUSILIARIO AUXILIARY RELAY	REALIS AUXILIAIRE HILFSRELAYS
KMA/B/C	CONTATTO AUSILIARE SU KM AUXILIARY CONTACTS ON KM	CONTACTS AUXILIARES SUR KM HILFSKONTAKTE ZU KM
F1/F2	PROTEZIONE TERMICA ELETTROPOMPA EL. WASH PUMP THERMAL PROTECTION	PROT. THERMIQUE MOTEUR EL. POMPE THERMISHER MOTORSCHEULTZ
B5	PRESSOSTATO LIVELLO ACQUA BOILER ING. BOILER WATER LEVELPRESSUR SWITCH	FRA PRESSOSTAT NIVEAU EAU CHAUFFE-EAU I/D DRUCKWACHER DES WASSERSIANDS DES BOILER
B4	TERMOSTATO RESISTENZA VASCA TANK HEATER THERMOSTAT	THERMOSTAT RESISTANCE DE CUVE THANKHEIZUNG THERMOSTAT
B3	TERMOSTATO SICUREZZA BOILER SAFETY BOOSTER HEATER THERMOSTAT	THERMOSTAT DE SECURITE DU BOYLER SICHERHEITZUNG
B2	TERMOSTATO RESISTENZA BOILER BOOSTER HEATER THERMOSTAT	THERMOSTAT RESISTANCE BOYLER BOILERHEIZUNG
B1	PRESSOSTATO LIVELLO VASCA TANK PRESSURE SWITCH	PRESSOSTAT NIVEAU AIRGAP TANKDRUCKSCHALTER - NIVEAUREGLER
A2	SELETORE CICLO CYCLE COMMUTATOR	SELECTEUR CYCLE WACHLSCHALTER FUER WASCHVORGANGSDAUER
A1	PROGRAMMATORE CYCLE TIMER	PROGRAMMATEUR CYCLAGE PROGRAMMSCHALTERWERK SPUEL PROGRAMM
SIM3	DESCRIZIONE DESCRIPTION	DESCRIPTION BESCHREIBUNG

DATA DATUM DATE DATE	16/12/98	CODE	PLP301 MBM LP155
REVISIONI / REVISIONEN / NACHGEPRUFT	REVISIONEN / REVISIONEN / NACHGEPRUFT	BENOMINAZIONE / BENOMINATION	BENOMINATION / BEZEICHNUNG
VERIFICATO / INSPECTED BY / CONTROLE PAR	VERIFICATO / INSPECTED BY / CONTROLE PAR	SCHEMA ELETTRICO - SCHEMA ELECTRIQUE WIRING DIAGRAMM - SCHALTPLAN	
VALIDATO DA / VALIDATED BY / BESTATIGT	VALIDATO DA / VALIDATED BY / BESTATIGT	DISCENO N. / DESSIN N.	DRAWING N. / ZEICHNUNG N.
SOSTI. DIS. / REMPLACE SUPOS. DWG. / ERSETZT	SOSTI. DIS. / REMPLACE SUPOS. DWG. / ERSETZT	FILE 820 20	

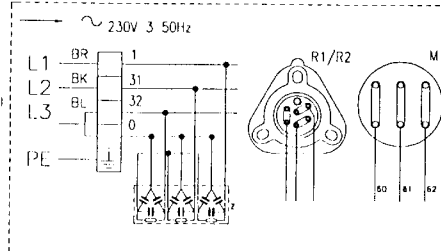
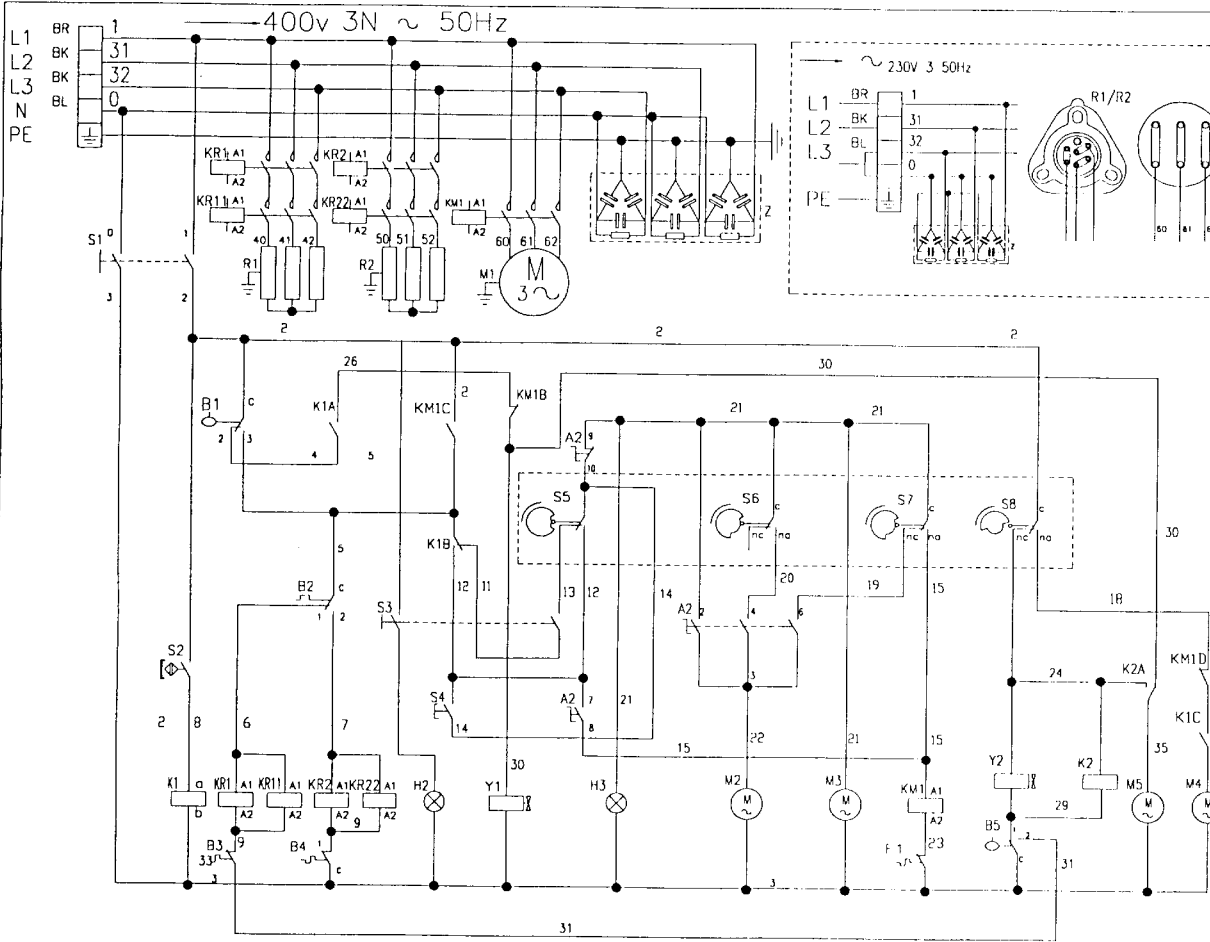
THIS DRAWING CANNOT BE PUBLISHED, REPRODUCED OR COPIED, TOTALLY OR PARTIALLY, NEITHER IN ITALY NOR ABROAD.



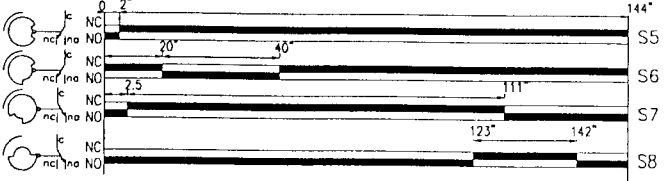
DTC12



DATA DATUM DATE DATE	16/12/98	CODE	PLP301MBM LP 155
RIESAMINATO	<i>Falli: M...</i>	DENOMINAZIONE DENOMINATION	SCHEMA ELETTRICO - SCHEMA ELECTRIQUE WIRING DIAGRAMM - SCHALTPLAN
VERIFICATO	<i>Falli: M...</i>	DISEGNO N. DRAWING N.	82020L
VALIDATO DA		FILE	
SOSTIT. DIS SUPDS. DWG ERSETZT		THIS DRAWING CANNOT BE PUBLISHED, REPRODUCED OR COPIED, TOTALLY OR PARTIALLY, NEITHER IN ITALY NOR ABROAD.	



[A1 - TIMER]



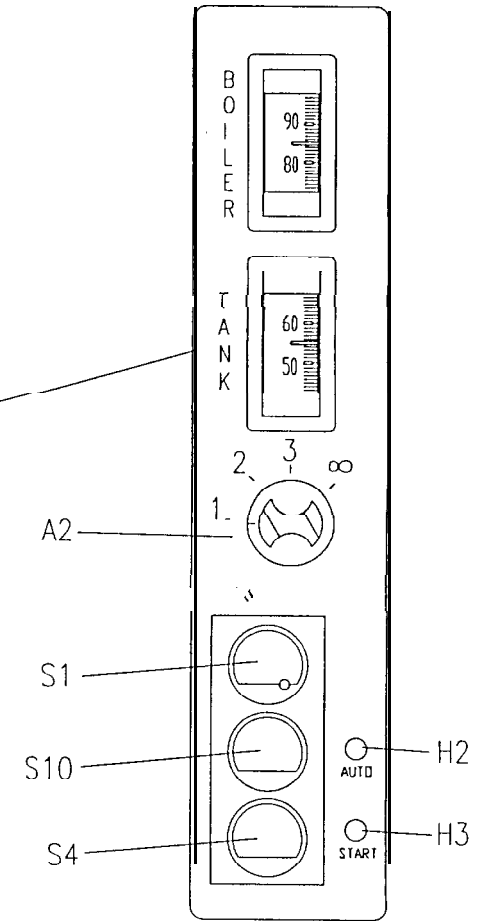
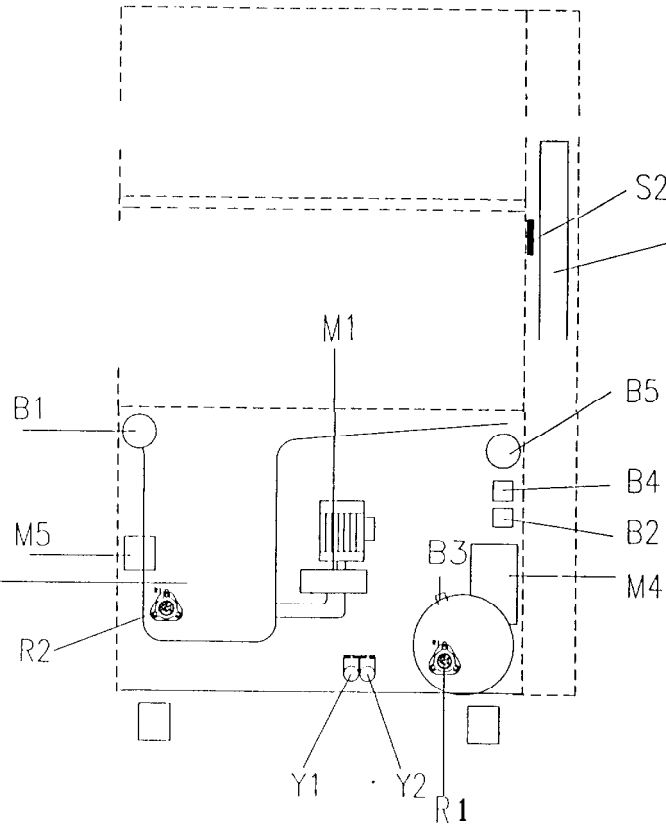
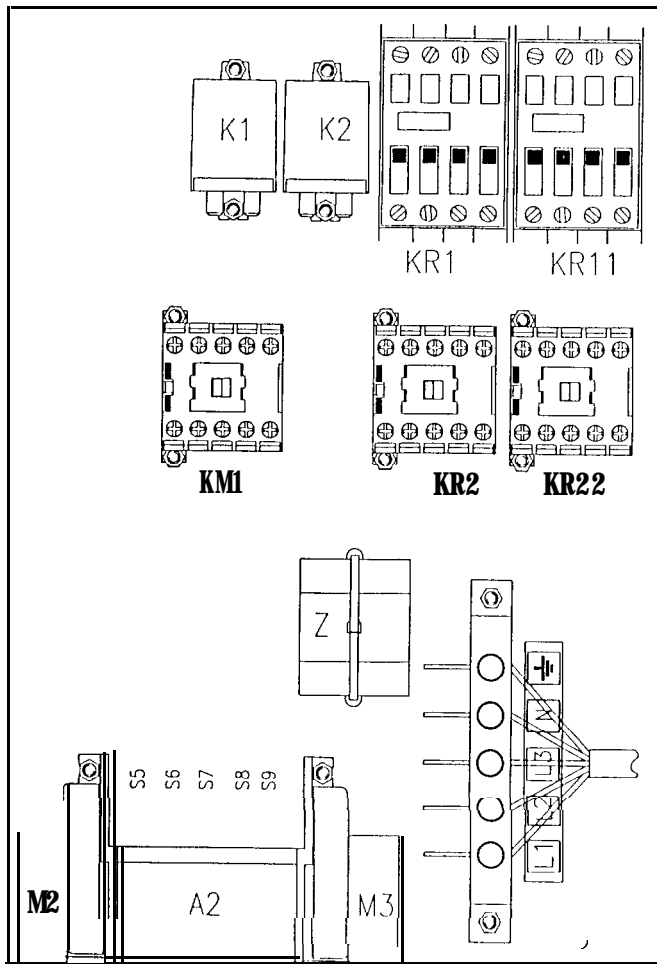
S5	AUTOALIMENTAZIONE TIMER POWER SUPPLY	ALIMENTATION PROGRAMMATEUR PROGRAMMSCHALTVERLSORUNG
S6	CAMMA CICLO 120° 120° CYCLE CAM	CAMME CYCLE 120° 120° WASHVORGANGSNOCKEN
S7	LAVAGGIO WASH	LAVAGE SPULLEN
S8	RISCIACQUO RINSE	RINCEGE NACHSPUELUNG

A2	3-2	3-4	3-6	7-8	9-10
3	*	*	*	*	*
2	*	*	*	*	*
1	*	*	*	*	*
0	*	*	*	*	*

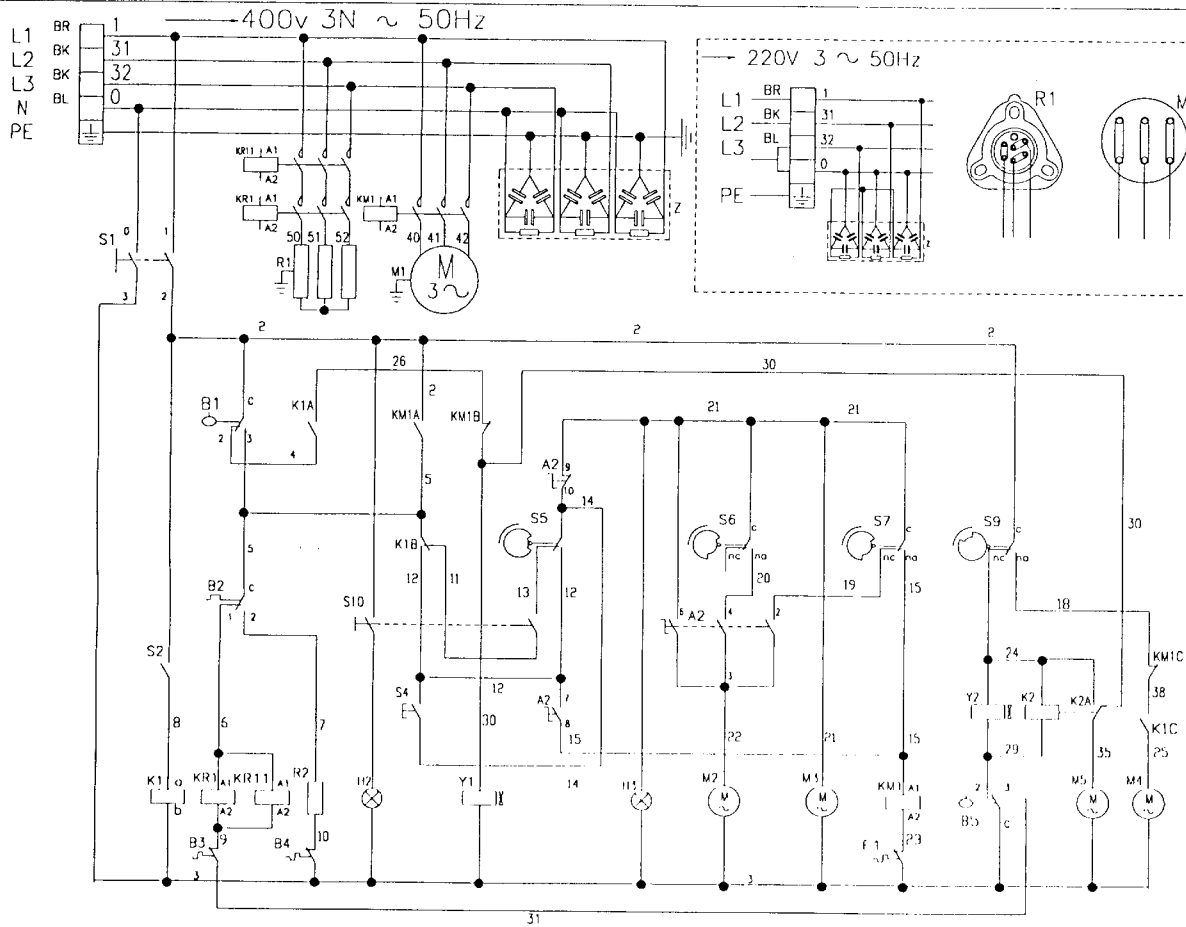
Z	FILTRO ANTIDISTURBO RADIOINTERFERENCE FILTER	FILTRES ANTIPARASSIRES STOERSCHUTZEINRICHTUNG
Y1	ELETTROVALVOLA RIEMPIMENTO VASCA ING. BOILER FILLING ELECTRIC VALVE	FRA SOUPAPE ELECTRIQUE REMPLISSAGE CUVE TED ELEKTROVENTIL DER WANNENFUELLUNG
Y2	ELETTROVALVOLA RIEMPIMENTO BOILER ING. BOILER FILLING ELECTRIC VALVE	FRA SOUPAPE ELECTRIQUE REMPLISSAGE CHAUFFE-EAU TED ELEKTROVENTIL DER WANNENFUELLUNG

S4	PULSANTE AVVIO CICLO CYCLE PUSH BOTTON	INTERRUPTEUR DE DEMARRAGE WASCHVORGANGSSCHALTER
S3	INTERRUTTORE PARTENZA AUTOMATICA AUTOMATIC START SELECTOR SWITCH	INTERRUPTEUR DEMARRAGE AUTOMATIQUE AUTOMATISCHER START WEINSCHALTER
S2	MICROINTERRUTTORE MAGNETICO MAGNETIC SAFETY MICROSWITCH	MICROINTERRUPTEUR MAGNETIQUE MAGNETISCHER SICHERHEITSSCHALTER
S1	INTERRUTTORE DI LINEA MAIN SWITCH	INTERRUPTEUR DE LIGNE NETZSCHALTER
R2	RESISTENZA VASCA LAVAGGIO WASH TANK HEATING ELEMENT	RESISTANCE CUVE DE LAVAGE WASHTANKHEIZUNG
R1	RESISTENZA BOILER BOOSTER HEATER HEATING ELEMENT	RESISTANCE BOYLER BOILERHEIZUNG
M4	ELETTROPOMPA AUMENTO PRESSIONE RINSE BOOSTER PUMP	ELECTROPOMPE AUGMENT PRESSION DRUCKSTEIFERUNGSPUMPE
M3	MOTORE LENTO TIMER TIMER SLOW MOTOR	MOTEUR LENT PROGRAMMATEUR LANGSAMER PROGRAMMSCHAHALTERMOTOR
M2	MOTORE VELOCE TIMER TIMER FAST MOTOR	MOTEUR RAPIDE PROGRAMMATEUR SCHENNER PROGRAMMSCHAHALTERMOTOR
M1	ELETTROPOMPA LAVAGGIO WASH ELECTRIC PUMP	ELECTROPOMPE LAVAGE ELEKTRISCHE UMAELZPUMPE
KR11	TERLUTTORE SICUREZZA RESISTENZA BOILER SAFETY BOOSTER HEATER CONTACTOR	CONTACTEUR RESISTANCE BOYLER LUFTSCHUETZ F. BOILERHEIZUNG
KR1	TERLUTTORE RESISTENZA BOILER BOOSTER HEATER CONTACTOR	CONTACTEUR RESISTANCE BOYLER LUFTSCHUETZ F. BOILERHEIZUNG
KM1	TERLUTTORE ELETTROPOMPA LAVAGGIO WASH PUMP CONTACTEUR	CONTACTEUR ELECTROPOMPE LAVAGE SCHUETZ F. UMWAELPUMPE
KR2	TERLUTTORE RESISTENZA VASCA WASH TANK HEING CONTACTOR	CONTACTEUR RESISTENCE DE CUVE LUFTSCHUETZ F. HEIZUNG WASHTANK
KR22	TERLUTTORE SICUREZZA RESISTENZA VASCA SAFETY WASH TANK HEATING CONTACTOR	CONTACTEUR DE SECURITE RESIS. DECUVE LUFTSCHUETZ F. HEIZUNG WASHTANK
H3	LAMPADA SPIA DI CICLO CYCLE PILOT LAMP	LAMPE TEMOIN DE LIGNE NETZKONTROLLAMPE
H2	LAMPADA SPIA PARTENZA AUTOMATICA AUTOMATIC START PILOT LAMP	LAMPE TEMOIN DEMARRAGE AUTOMATISCHER START KONTROLLAMPE
K3A	CONTATTO TEMPORIZZATO SU K3 TIMER ACTIVATED CONTACT ON K3	CONTACT TEMPORISE SUR K3 PROGRAMMSCHALTER GESTUERTE KONTAKT
K1A/K1B	CONTATTI AUSILIARI SU K1 AUXILIARY CONTACTS ON K1	CONTACTS AUXILIAIRES SUR K1 HILFSKONTAKTE ZU K1
K1/K2	RELE AUSILIARIO AUXILIARY RELAY	REALIS AUXILIAIRE HILFESRELAIS
KWA/B/C	CONTATTO AUSILIARE SU KM AUXILIARY CONTACTS ON KM	CONTACTS AUXILIAIRES SUR KM HILFSKONTAKTE ZU KM
M5	MOTORE DOSATORE DETERGIVO ING. SURFACE - ACTIVE AGENT DISPENSER	MOTEUR DOSATEUR TENSIO ACTI TWD TENSIODOSERVORRICHTUNG
F1	PROTEZIONE TERMICA ELETTROPOMPA EL. WASH PUMP THERMAL PROTECTION	PROT. THERMIQUE MOTEUR EL. POMPE THERMISHER MOTORSCHULTZ
B5	PRESSOSTATO LIVELLO ACQUA BOILER ING. BOILER WATER LEVELPRESSUR SWITCH	FRA PRESSOSTAT NIVEAU EAU CHAUFFE-EAU TED DRUCKWACHER DES WASSERSANDS DES BOILER
B4	TERMOSTATO RESISTENZA VASCA TANK HEATER THERMOSTAT	THERMOSTAT RESISTANCE DE CUVE THANKHEIZUNG THERMOSTAT
B3	TERMOSTATO SICUREZZA BOILER SAFETY BOOSTER HEATER THERMOSTAT	THERMOSTAT DE SECURITE DU BOYLER SICHERHEIZUNG
B2	TERMOSTATO RESISTENZA BOILER BOOSTER HEATER THERMOSTAT	THERMOSTAT RESISTANCE BOYLER BOILERHEIZUNG
B1	PRESSOSTATO LIVELLO VASCA TANK PRESSURE SWITCH	PRESSOSTAT NIVEAU AIRGAP TANKDRUCKSCHALTER - NIVEAUREGLER
A2	SELETTORE CICLO CYCLE COMMUTATOR	SELECTEUR CYCLE WAHLSCHALTER FUER WASCHVORGANGSDAUER
A1	PROGRAMMATORE CYCLE TIMER	PROGRAMMATEUR CYCLAGE PROGRAMMSCHALTWERK SPUEL PROGRAMM
SIMB.	DESCRIZIONE DESCRIPTION	DESCRIPTION BESCHREIBUNG

DATA/DATUM DATE/DATE	16/12/98	CODE	PLP201MBM LP93
RIFAMINATO / RE-EXAMINATO / NACHGEPRUEFT	<i>F.lli</i>	DENOMINAZIONE / DENOMINATION	DENOMINATION / BEZEICHNUNG
VERIFICATO / INSPECTED / KONTROLLE PAR GEPUEFT VON	<i>F.lli</i>	SCHEMA ELETTRICO - SCHEMA ELECTRIQUE WIRING DIAGRAMM - SCHALTPLAN	
VALIDATO DA / VALIDATED BY / BEFUEHRT BESTATIGT	<i>F.lli</i>	DISCENO N. / DESSIN N. DRAWING N. / ZEICHNUNG N.	FILE
SOSTI. DIS. / REMPLACE SUPOS. / DWG ERSETZT		82019	
THIS DRAWING CANNOT BE PUBLISHED, REPRODUCED OR COPIED, TOTALLY OR PARTIALLY, NEITHER IN ITALY NOR ABROAD.			

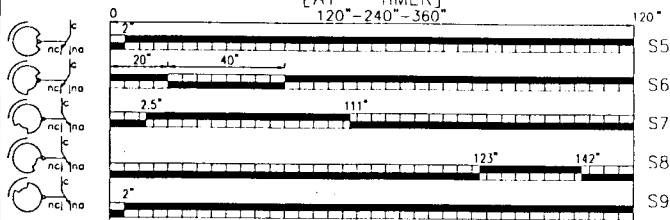


DATA DATUM DATE DATE	16/12/98	CODE	PLP201MBM LP93
RIESAMINATO VERIFICATO	<i>F.lli. Orsini</i>	DENOMINAZIONE DENOMINATION DENOMINATION BEZEICHNUNG	SCHEMA ELETTRICO - SCHEMA ELECTRIQUE WIRING DIAGRAMM - SCHALTPLAN
VALIDATO DA		DISEGNO N. DESSIN N. DRAWING N. ZEICHNUNG N.	FILE
SOSTIT. DIS REMPLACE SUPDS. DWG ERSETZT		82019L	
THIS DRAWING CANNOT BE PUBLISHED, REPRODUCED OR COPIED, TOTALLY OR PARTIALLY, NEITHER IN ITALY NOR ABROAD.			



S10	INTERRUTTORE PARTENZA AUT. AUTOMATIC START SELECTOR SWITCH	INTERRUPTEUR DEMARRAGE AUTOMATIQUE AUTOMATISCHER START WEINSCHALTER
S4	INTERRUTTORE DI CICLO CYCLE SWITCH	INTERRUPTEUR DE DEMARRAGE WASCHVORGANGSSCHALTER
S2	MICROINTERRUTTORE MAGNETICO MAGNETIC SAFETY MICROSWITCH	MICROINTERRUPTEUR MAGNETIQUE MAGNETISCHER SICHERHEITSSCHALTER
S1	INTERRUTTORE DI LINEA MAIN SWITCH	INTERRUPTEUR DE LIGNE NETZSCHALTER
R2	RESISTENZA VASCA LAVAGGIO WASH TANK HEATING ELEMENT	RESISTANCE CUVE DE LAVAGE WASHTANKHEIZUNG
R1	RESISTENZA BOILER BOOSTER HEATER HEATING ELEMENT	RESISTANCE BOYLER BOILERHEIZUNG
M5	MOTORE DOSATORE DETERSIVO DETERGENT INJECTOR MOTOR	MOTEUR DOSEUR DETERGENT MOTOR FUER SPUELMITTELDOSIERGERAET
M4	ELETTROPOMPA AUMENTO PRESSIONE RINSE BOOSTER PUMP	ELECTROPOMPE AUGMENT PRESSION DRUCKSTEUERUNGSPUMPE
M3	MOTORE LENTO TIMER TIMER SLOW MOTOR	MOTEUR LENT PROGRAMMATEUR LANGSAMER PROGRAMMSCHALTERMOTOR
M2	MOTORE VELOCE TIMER TIMER FAST MOTOR	MOTEUR RAPIDE PROGRAMMATEUR SCHENNER PROGRAMMSCHALTERMOTOR
M1	ELETTROPOMPA LAVAGGIO WASH ELECTRIC PUMP	ELECTROPOMPE LAVAGE ELEKTRISCHE UMWÄLZPUMPE
KR11	TELERUTTORE SICUREZZA RESISTENZA BOILER SAFETY BOOSTER HEATER CONTACTOR	CONTACTEUR RESISTANCE BOYLER LUFTSCHUETZ F. BOILERHEIZUNG
KR1	TELERUTTORE RESISTENZA BOILER BOOSTER HEATER CONTACTOR	CONTACTEUR RESISTANCE BOYLER LUFTSCHUETZ F. BOILERHEIZUNG
KM1	TELERUTTORE ELETTROPOMPA LAVAGGIO WASH PUMP CONTACTEUR	CONTACTEUR ELECTROPOMPE LAVAGE SCHUETZ F. UMWÄLZPUMPE
H2	LAMPADA SPIA PARTENZA AUTOMATICA AUTOMATIC START PILOT LAMP	LAMPE TEMOIN DEMARRAGE AUTOMATISCHER STERT CONTROLAMP
H3	LAMPADA SPIA DI CICLO CYCLE PILOT LAMP	LAMPE TEMOIN DE LIGNE NETZKONTROLLAMPE
K.A	CONTATTI AUSILIARI SU K1 AUXILIARY CONTACTS ON K1	CONTACTS AUXILIAIRES SUR K1 HILFSKONTAKTE ZU K1
K1 K2	RELE AUSILIARIO AUXILIARY RELAY	REALIS AUXILIAIRE HILFESRELAIS
F1	PROTEZIONE TERMICA ELETTROPOMPA EL. WASH PUMP THERMAL PROTECTION	PROT. THERMIQUE MOTEUR EL. POMPE THERMISHER MOTORSCHULTZ
B5	PRESSOSTATO LIVELLO ACQUA BOILER BOILER WATER LEVELPRESSUR SWITCH	FRA PRESSOSTAT NIVEAU EAU CHAFFE-EAU TED DRUCKWACHER DES WASSERSTANDS DES BOILER
B4	TERMOSTATO RESISTENZA VASCA TANK HEATER THERMOSTAT	THERMOSTAT RESISTANCE DE CUVE THANKHEIZUNG/THERMOSTAT
B3	TERMOSTATO SICUREZZA BOILER SAFETY BOOSTER HEATER THERMOSTAT	THERMOSTAT DE SECURITE DU BOYLER SICHERHEITZUNG
B2	TERMOSTATO RESISTENZA BOILER BOOSTER HEATER THERMOSTAT	THERMOSTAT RESISTANCE BOYLER BOILERHEIZUNG
B1	PRESSOSTATO LIVELLO VASCA TANK PRESSURE SWITCH	PRESSOSTAT NIVEAU AIRGAP TANKDRUCKSCHALTER-NIVEAUREGLER
A2	SELETORE CICLO CYCLE COMMUTATOR	SELECTEUR CYCLE WAELSCHALTER FUER WASCHVORGANGSDAUER
A1	PROGRAMMATORE CYCLE TIMER	PROGRAMMATEUR CYCLAGE PROGRAMMSCHALTWERK SPUEL PROGRAMM
SIMB.	DESCRIZIONE DESCRIPTION	DESCRIPTION BESCHREIBUNG

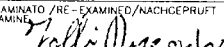
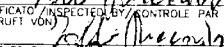
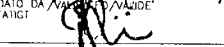
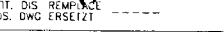
[A1 - TIMER] 120°-240°-360°

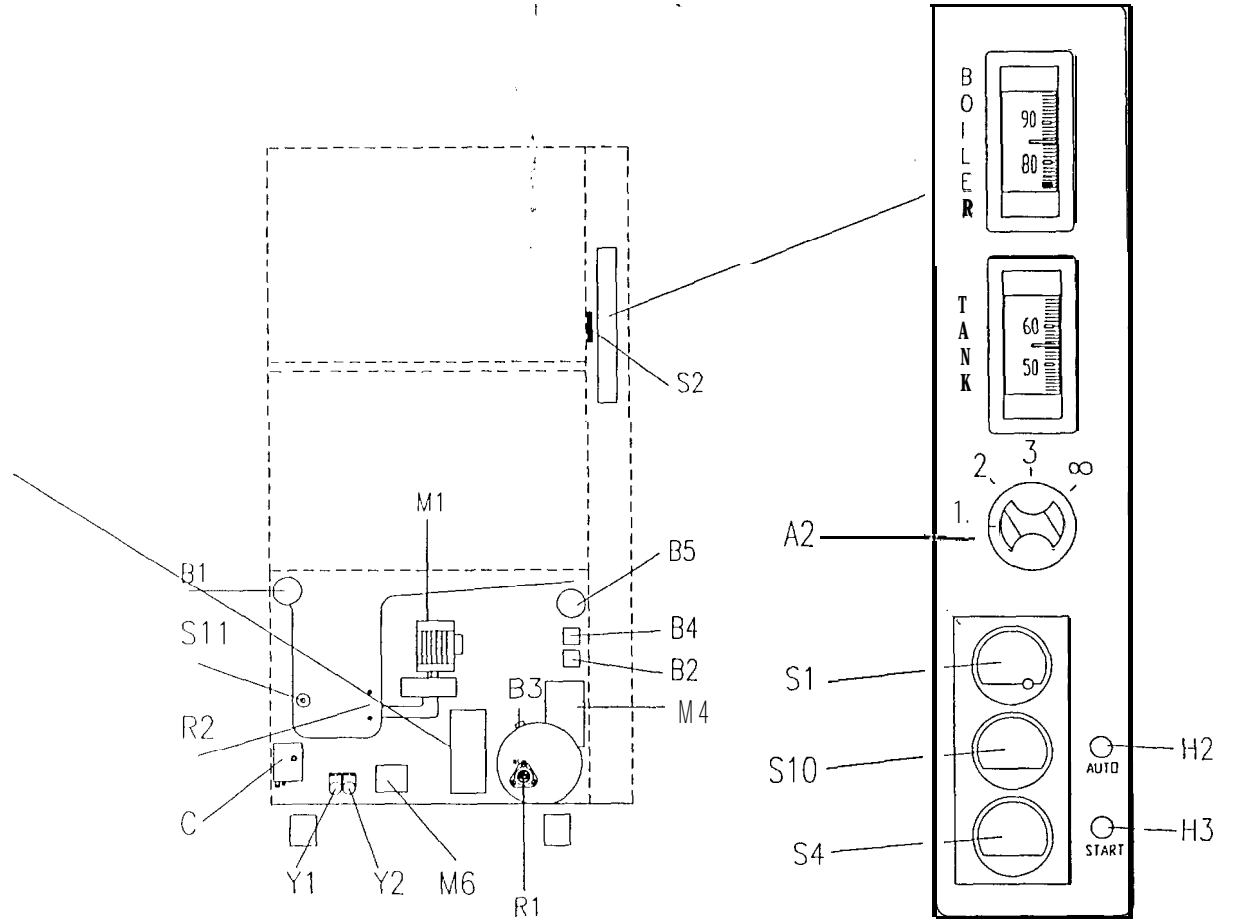
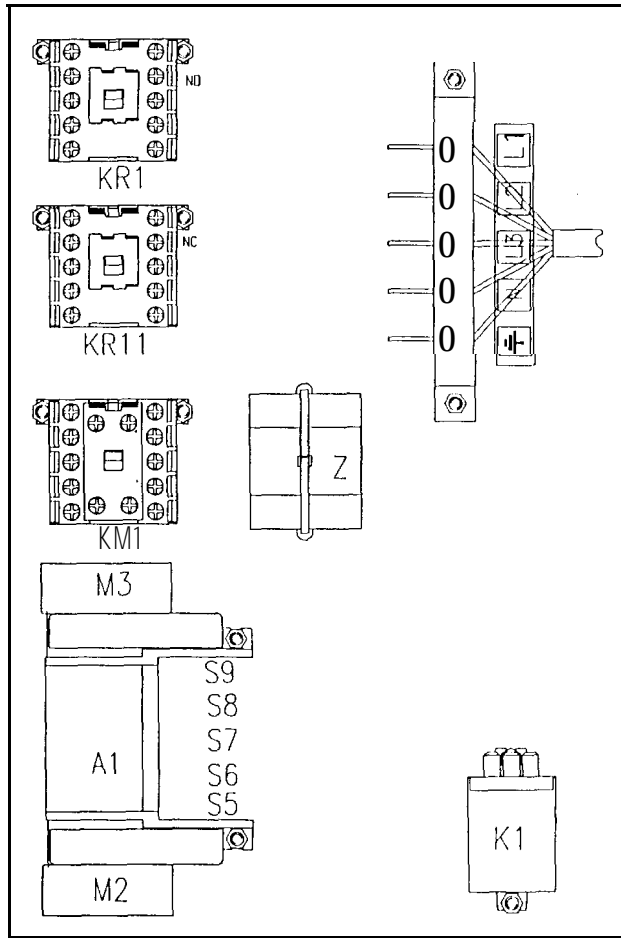


S5	AUTOALIMENTAZIONE TIMER POWER SUPPLY	ALIMENTATION PROGRAMMATEUR PROGRAMMSCHALTERVORSORUNG
S6	CAMMA CICLO 120° 120° CYCLE CAM	CAME CYCLE 120° WASHVORGANGSNÖCKEN
S7	LAVAGGIO WASH	SPUELEN
S8	DOSATORE TENSIOATTIVO RINSE-AID INJECTOR	NACHSPUELMITTELDOSIERGERAET
S9	RISCIAQUO RINSE	RINCAEL NACHSPUELUNG

A2	3-2	3-4	3-6	7-8	9-10
3	*	*	*	*	*
2	*	*	*	*	*
1	*	*	*	*	*
0	*	*	*	*	*

Z	FILTRO ANTIDISTURBO RADIOINTERFERENCE FILTER	FILTRES ANTIPARASSIRES STORSCHUETZEINRICHTUNG
Y1	ELETTROVALVOLA RIEMPIENTO VASCA ING TANK FILLING ELECTRIC-VALVE	FRA SOUPEPE ELECTRIQUE REMPLISSAGE CUVE TED ELEKTROVENTIL DER WANNENFUELLUNG
Y2	ELETTROVALVOLA RIEMPIENTO BOILER ING BOILER FILLING ELECTRIC VALVE	FRA SOUPEPE ELECTRIQUE REMPLISSAGE CHAFFE-EAU TED ELEKTROVENTIL DER WANNENFUELLUNG

DATA DATUM DATE DATE	16/12/98	CODE	PLP101/PLP105 MBW LP80/80H
REVISIONI / RE-EXAMINAZIONE / NACHGEPRUEFT / EXAMINE			
VERIFICATO / SELETORE BY / KONTROLE PAR / GEPRUEFT VON			
VALIDATO DA / VALORISATO / AVAILIÉ / BESTÄTIGT			
SOSTIT. DIS REMPLACE SUPPOS. DWG ERSETZT			
DENOMINAZIONE / DENOMINATION		SCHEMA ELETTRICO - SCHEMA ELECTRIQUE	
WIRING DIAGRAMM - SCHALTPLAN		FILE	
DISEGNO N. / DESSIN N.		DRAWING N. / ZEICHNUNG N.	
		82018	



DATA DATUM DATE DATE	16/12/98	PLP101/PLP105 MBM LP80/80H
RIESAMINATO VERIFICATO	<i>F. Ricciardi</i>	DENOMINAZIONE DENOMINATION DENOMINATION BEZEICHNUNG
VALIDATO DA		SCHEMA ELETTRICO - SCHEMA ELECTRIQUE WIRING DIAGRAMM - SCHALTPLAN
SOSTIT. DIS. REMPLACE SUPPOS. DWG ERSETZT		DISEGNO N. DESSIN N. DRAWING N. ZEICHNUNG N. FILE
		82018L
<small>THIS DRAWING CANNOT BE PUBLISHED, REPRODUCED OR COPIED, TOTALLY OR PARTIALLY, NEITHER IN ITALY NOR ABROAD.</small>		