

PARTI DI RICAMBIO
PIECES DETACHEES
SPARE PARTS
ERSATZTEILE
LISTA DE RECAMBIOS

LBC 210

10/97

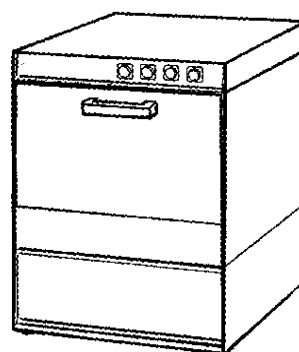
LBC 215

LBC 215 A

LBC 275

LBC 275 A

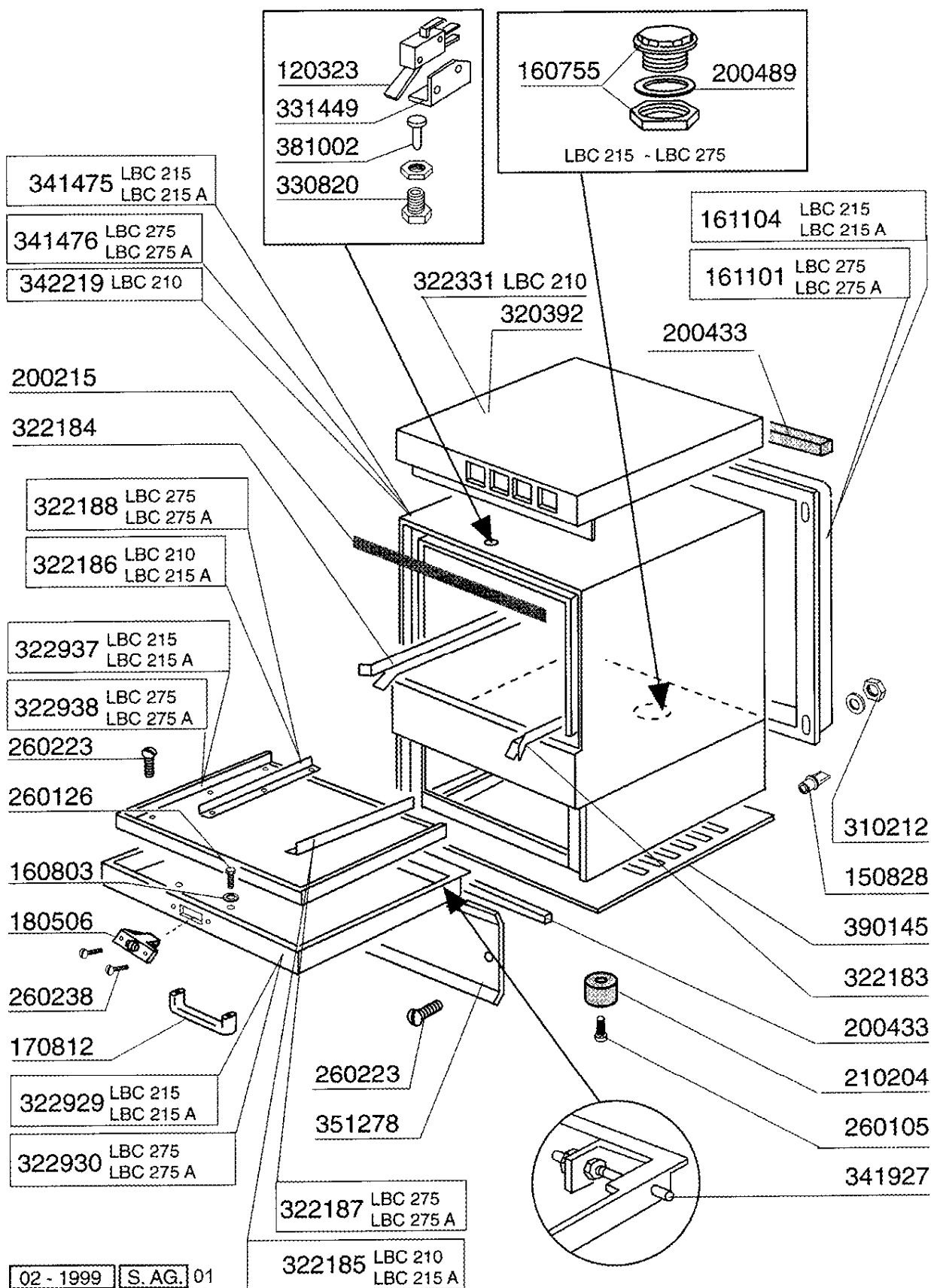
9/94



02 - 1999 | S. AG.

LBC215A

Hood

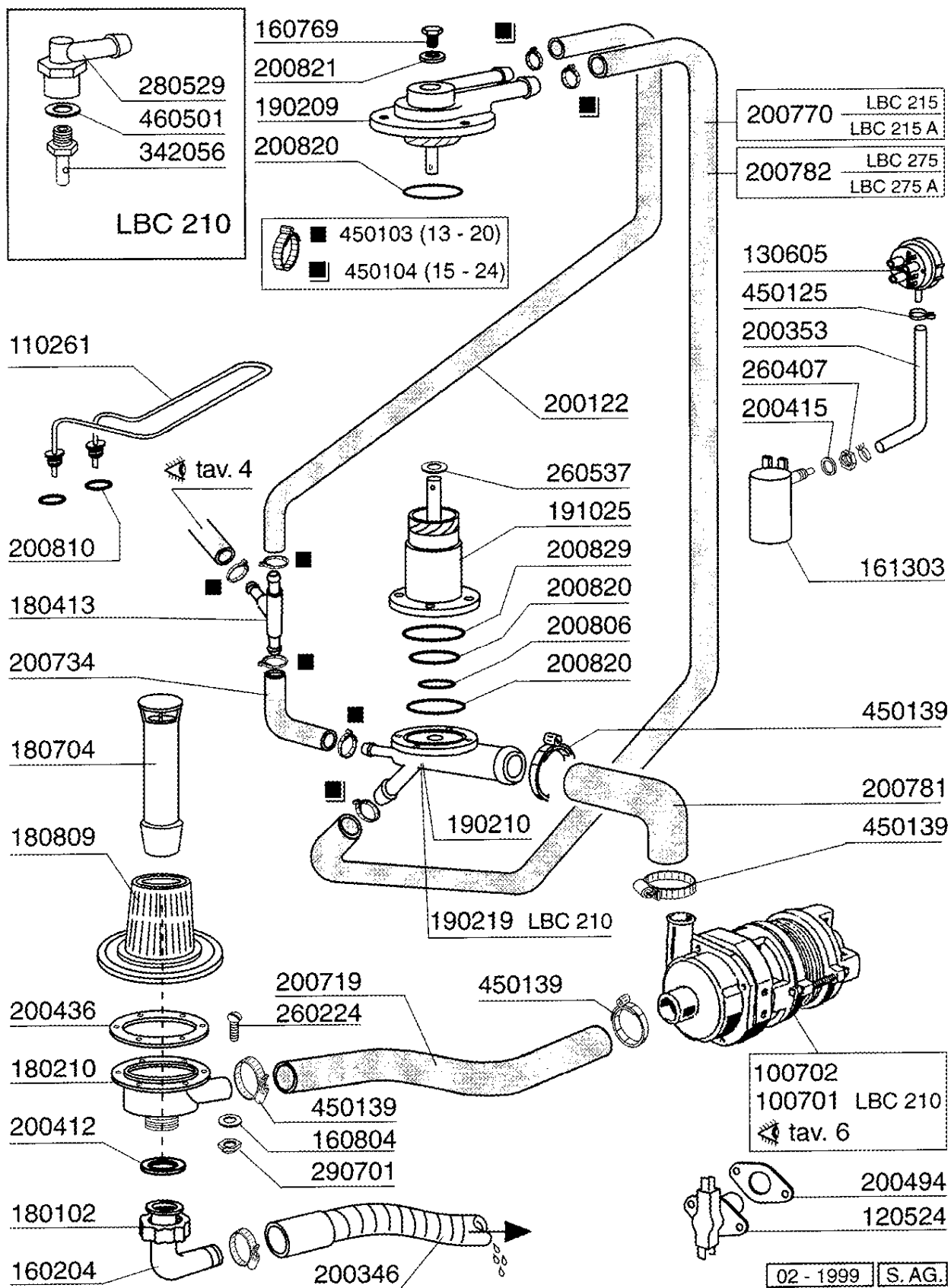


LBC215A
Hood

CODE	DESCRIPTION	PRICE (Eur)
120323	MICRO SWITCH N16 WITH LEVER N10913	0.00
150828	CABLE HOLDER PA/107	0.00
160755	PLUG FOR MACHINES WITHOUT SOFTNER	0.00
160803	GASKET D.5	0.00
161101	BACK PANEL B18T-B19T	0.00
161104	BACK PANEL B25-11-12-18ç	0.00
170812	GREY DOOR HANDLE	0.00
180506	DOOR CATCH BR-BC-FC	0.00
200215	DOOR GASKET FOR CA-CH GLASSWASHERS	0.00
200433	SPONGY RUBBER RECT. 6X2,5 ADHESIVE	0.00
200489	GASKET 81X68X3	0.00
210204	FOOT FOR B20-10-11-12-15 ç	0.00
260105	SCREW TE 6X20	0.00
260126	SCREW TE 5X12	0.00
260223	M5X12 MSH/HD SCREW SPECIAL S/S	0.00
260238	M4 X 10 MUSH/HD SCREW	0.00
310212	BLIND NUT M6 BLACK NYLON	0.00
320392	TOP PANEL "B" LAV-LINE	0.00
322183	RIGHT GUIDE FOR GLASSWASHER	0.00
322184	LEFT GUIDE FOR GLASSWASHER	0.00
322185	RIGHT GUIDE LBC215	0.00
322186	LEFT GUIDE LBC215	0.00
322187	RIGTH GUIDE LBC275	0.00
322188	LEFT GUIDE LBC275	0.00
322331	TOP PANEL LBC210	0.00
322929	DOOR CH-CA 24	0.00
322930	DOOR CH/CA26	0.00
322937	DOOR BACK PANEL CH-CA22/CH-CA24	0.00
322938	DOOR BACK PANEL CH-CA26	0.00
330820	BUSH DOOR SWITCH F2-20-45-5	0.00
331449	MICRO SWITCH BRACKET BT	0.00
341475	HOOD CA24	0.00
341476	HOOD CA26	0.00
341927	DOOR PIN	0.00
342219	HOOD LBC210	0.00
351278	LOWER FRONT PANEL CA-CH	0.00
381002	PIN F.DOOR MICRO F2-20-45-55	0.00
390145	PANEL FOR "B" COLBERT	0.00

LBC215A

Wash



LBC215A
Wash

CODE	DESCRIPTION	PRICE (Eur)
100701	PUMP HP 0,2 220/240V-50-2228ç	0.00
100702	PUMP HP 0,3 220/240-50-2229	0.00
110261	TANK ELEMENT 1500W GLASSWASERS	0.00
120524	TANKTHERMOSTAT GLASSWASHER	0.00
130605	PRESSURE SWITCH 50-30 1 LEVEL	0.00
160204	ELBOW F. DRAIN - GLASS WASHER	0.00
160769	PLUG F. UPPER WASH ARM SUPPORT BTM	0.00
160804	GASKET D.6	0.00
161303	AIR TRAP GLASSWASHER	0.00
180102	DRAIN PIPE NUT 1"1/2 F45-55	0.00
180210	PUMP INLET B20-23-10-11-12	0.00
180413	TEE NIPPLE D.11,5 - RINSE ASSEMBLY	0.00
180704	OVERFLOW PIPE B23-10-11-12/160mm	0.00
180809	STRAINER B23-27-10-12	0.00
190209	UPPER WASH/RINSE ARM SUPPORT "BTM"	0.00
190210	BOTTOM TEE WASH/RINSE BC-FC43	0.00
190219	BOTTOM TEE RINSE LBC 210	0.00
191025	LOWER WASH ARM SUPP. B-F	0.00
200122	HOSE 11X19	0.00
200346	DRAIN HOSE GLASSWASHER	0.00
200353	PRESS. SWITCH HOSE B23-10-1-2-C34	0.00
200412	GASKET DRAIN 1 1/2" 45X33X3	0.00
200415	AIR TRAP GASKET -F2 18,5X10X3	0.00
200436	GASKET PUMP SUCTION B23-27	0.00
200494	GASKET FOR TANKTHERMOSTAT BT	0.00
200719	INLET HOSE B23-10-1-2	0.00
200734	HOSE FOR RINSE	0.00
200770	UPPER/LOWER WASH HOSE B18TM-B19TM	0.00
200781	OUTLET HOSE CA-CH	0.00
200782	UPPER/LOWER WASH HOSE CA-CH26	0.00
200806	O-RING 2,62X13,10X18,34	0.00
200810	O-RING 2,62X9,92X15,6 F. GLASSWA	0.00
200820	O-RING 151 46,99X5,33X57,6	0.00
200821	O-RING 2,62X20,63	0.00
200829	O-RING 81,92X92,58X5,33	0.00
260224	TB-SCREW 6X15 B23-10-11-12	0.00
260407	STAINLESS STEEL NUTS D10 UNI 5588	0.00
260537	STAINL. STEEL FLAT WASHER D13X20X0,8	0.00
280529	NIPPLE 90° FOR RINSE LBC210	0.00
290701	HEXAGON BLIND NUTS GM H12	0.00
342056	SPINDLE FOR LBC210 RINSE ARM	0.00
450103	CLAMP FE ZN. 13-20 H=9	0.00
450104	CLAMP FE ZN H=12,5 15-24	0.00
450125	ELASTIC CLAMP D. 10,4X9,8	0.00
450139	CLAMP 26-38 H=9	0.00
460501	GASKET 24X17X2 C34-R ASBESTOS	0.00

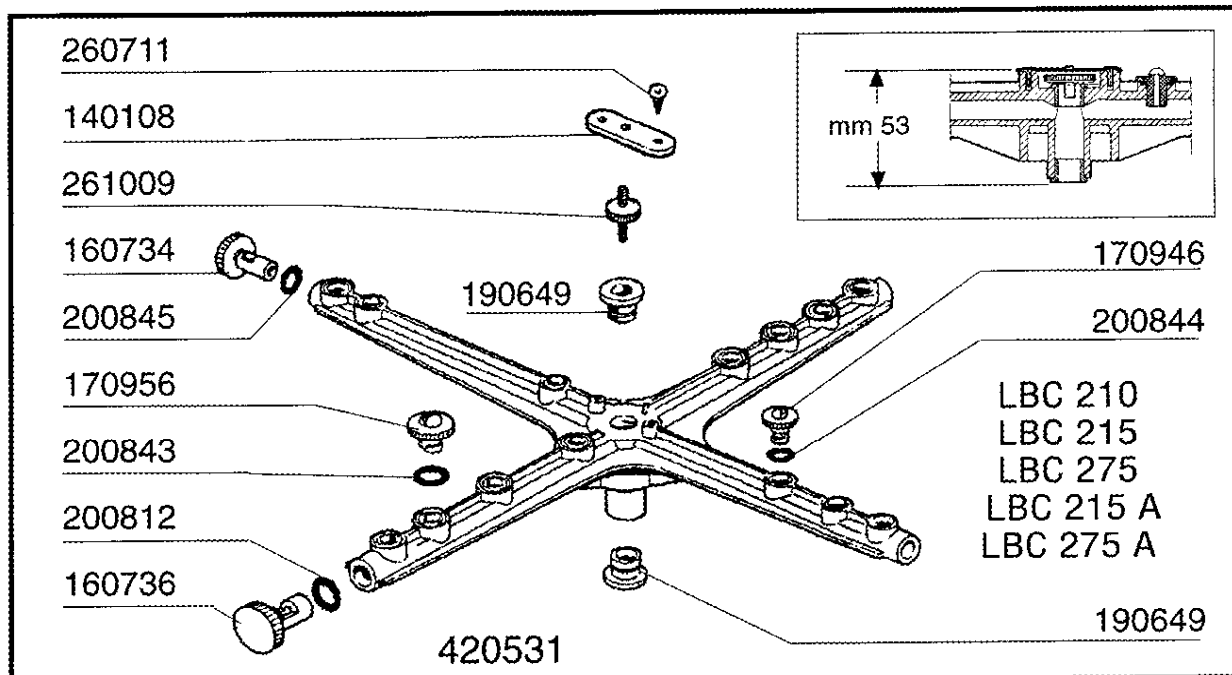
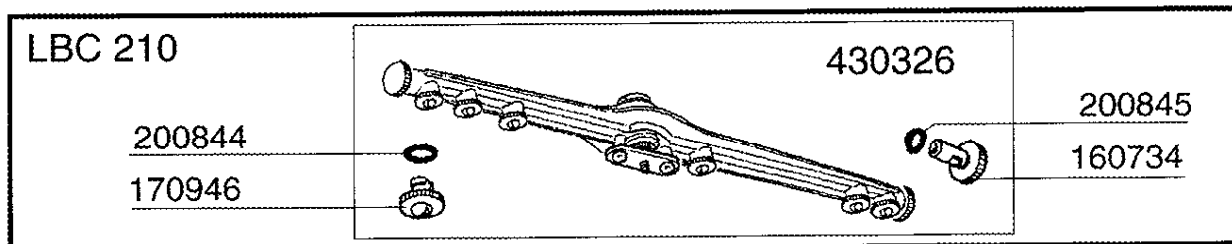
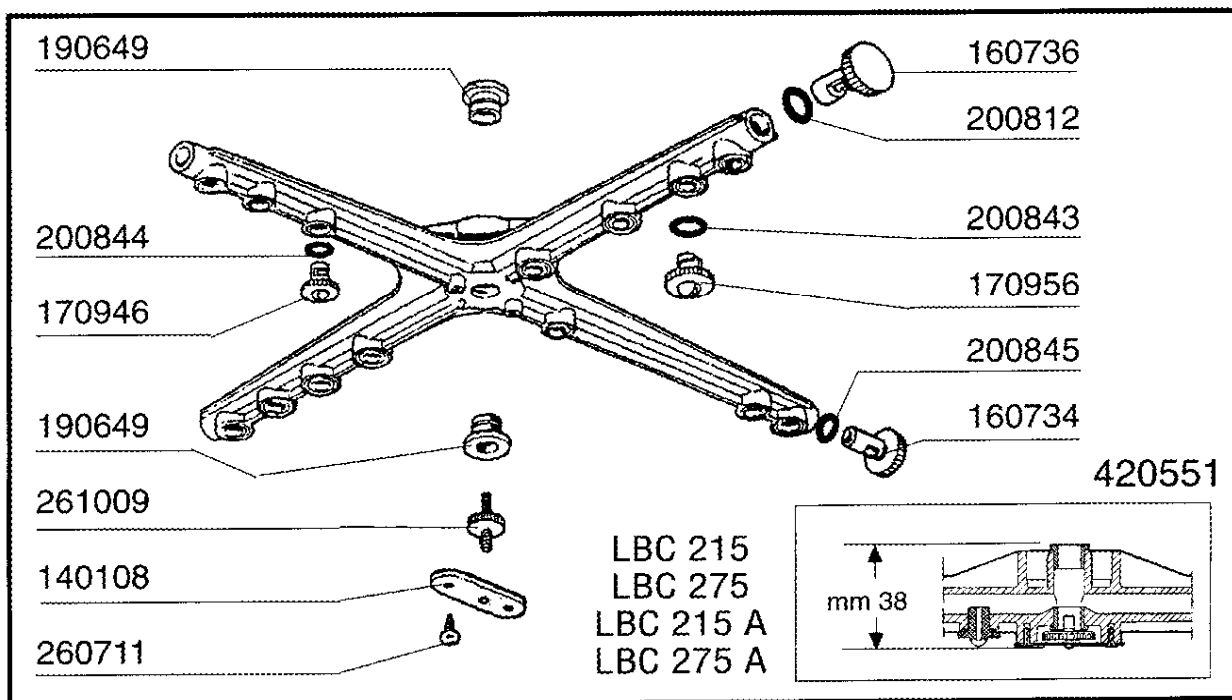
LBC215A

Wash

CODE	DESCRIPTION	PRICE (Eur)
------	-------------	-------------

LBC215A

Wash arm

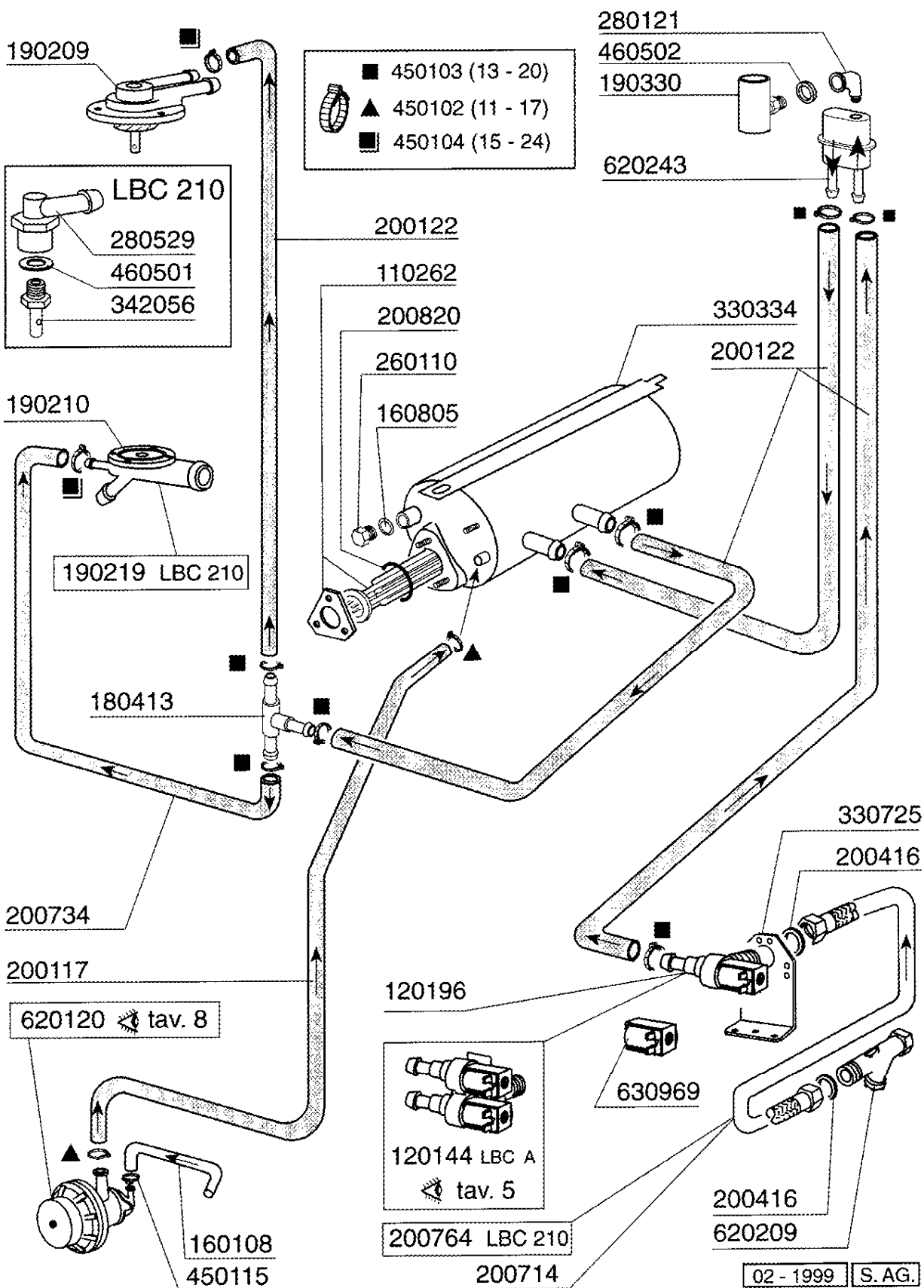


LBC215A**Wash arm**

CODE	DESCRIPTION	PRICE (Eur)
140108	PLATE FOR WASH ARM	0.00
160734	END PLUGS RINSE ARM	0.00
160736	WASH ARM PLUG F45	0.00
170946	RINSE JET/RINSE ARM B-F	0.00
170956	WASH JET/WASH ARM B-F20	0.00
190649	BUSH WASH ARM GLASSWASHERS	0.00
200812	O-RING 1,78X17,17X20,73	0.00
200843	O RING 2X13X17	0.00
200844	O RING 2X9,5X13,5	0.00
200845	O RING 109 2,62X9,13X14,37	0.00
260711	SCREW 4,2X13 A2 DIN7972	0.00
261009	RETAIN.SCREW FOR WASH-RINSE ARM	0.00
420531	PLASTIC WASH-RINSE ARM F20-B	0.00
420551	UPPER WASH ARM GLASSWASHERS	0.00
430326	UPPER RINSE ARM LBC210	0.00

LBC215A

Rinse assembly

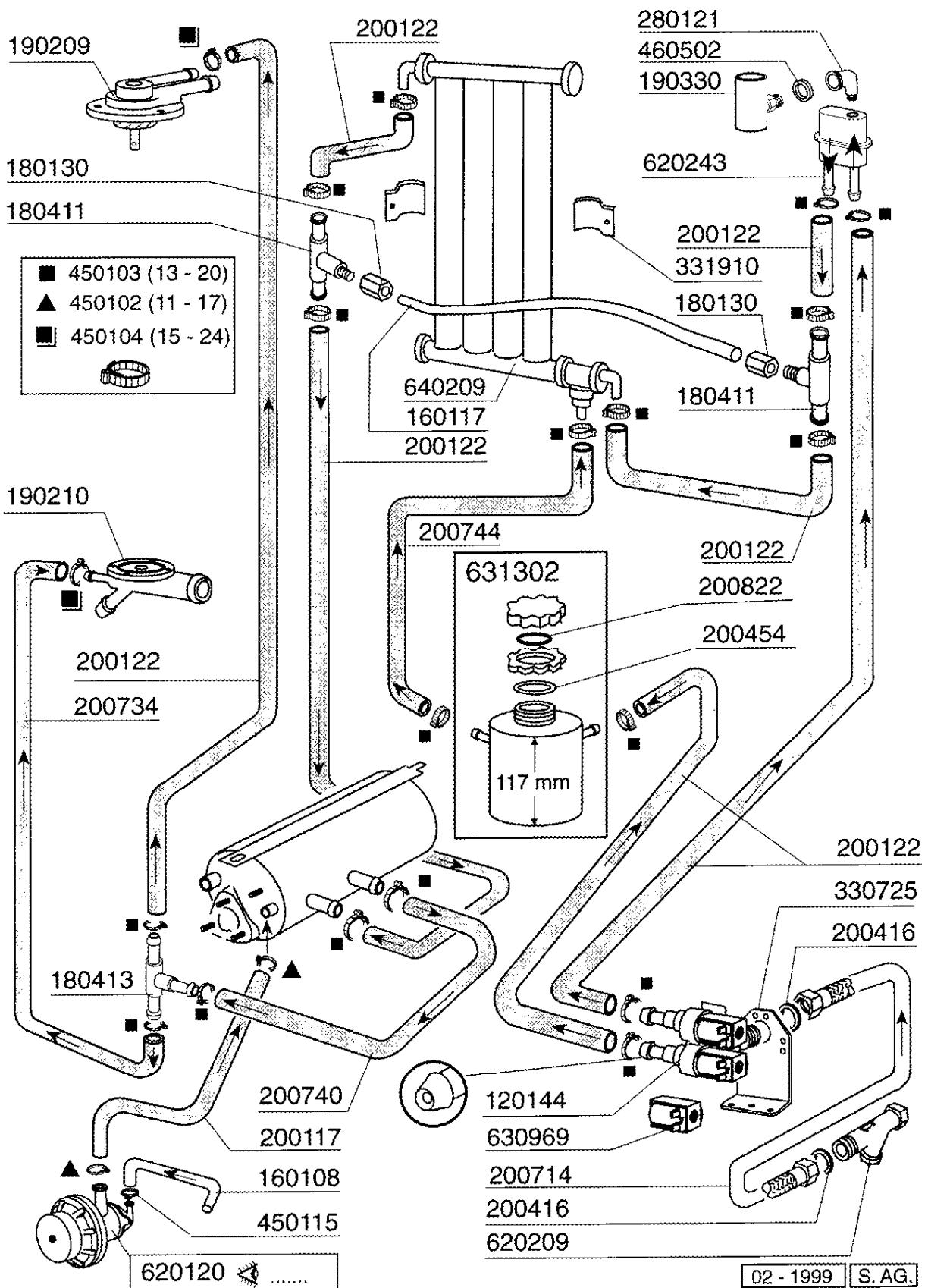


LBC215A
Rinse assembly

CODE	DESCRIPTION	PRICE (Eur)
110262	HEAT.ELEMENT F.BOILER 2500W GLASSW.	0.00
120144	SOLENOID VALVE FCA 10 LT TYPE 2WAYS	0.00
120196	ONE-WAY SOLENOID VALVE 220V	0.00
160108	INJECT.INLET HOSE D.8X5	0.00
160805	GASKET D.8	0.00
180413	TEE NIPPLE D.11,5 - RINSE ASSEMBLY	0.00
190209	UPPER WASH/RINSE ARM SUPPORT "BTM"	0.00
190210	BOTTOM TEE WASH/RINSE BC-FC43	0.00
190219	BOTTOM TEE RINSE LBC 210	0.00
190330	TEE FOR VAACUM BREAKER	0.00
200117	RUBBER HOSE 7X16	0.00
200122	HOSE 11X19	0.00
200416	GASKET D. 3/4"	0.00
200714	GLASSWASHER INLET HOSE	0.00
200734	HOSE FOR RINSE	0.00
200764	COLBERT GLASSWASHERS DRAIN HOSE	0.00
200820	O-RING151 46,99X5,33X57,6	0.00
260110	SCREW TE 8X10	0.00
280121	ELL FOR VAACUM BREAKER	0.00
280529	NIPPLE 90° FOR RINSE LBC210	0.00
330334	BOILER GLASSWASHER B10-B19T	0.00
330725	STANDARD BRACKET F.SOLEN.VALV	0.00
342056	SPINDLE FOR LBC210 RINSE ARM	0.00
450102	CLAMP FE ZN 11-17 H=9	0.00
450103	CLAMP FE ZN. 13-20 H=9	0.00
450104	CLAMP FE ZN H=12,5 15-24	0.00
450115	ELASTIC CLAMP D.8,3/7,8	0.00
460501	GASKET 24X17X2 C34-R ASBESTOS	0.00
460502	GASKET 30X21X2 C34-R ASBESTOS	0.00
620120	RINSE AID INJECTOR	0.00
620209	INLET WATER FILTER	0.00
620243	VACUUM BREAKER (WITHOUT KIT)	0.00
630969	COIL S4216 220/50HZ	0.00

LBC215A

Water softener

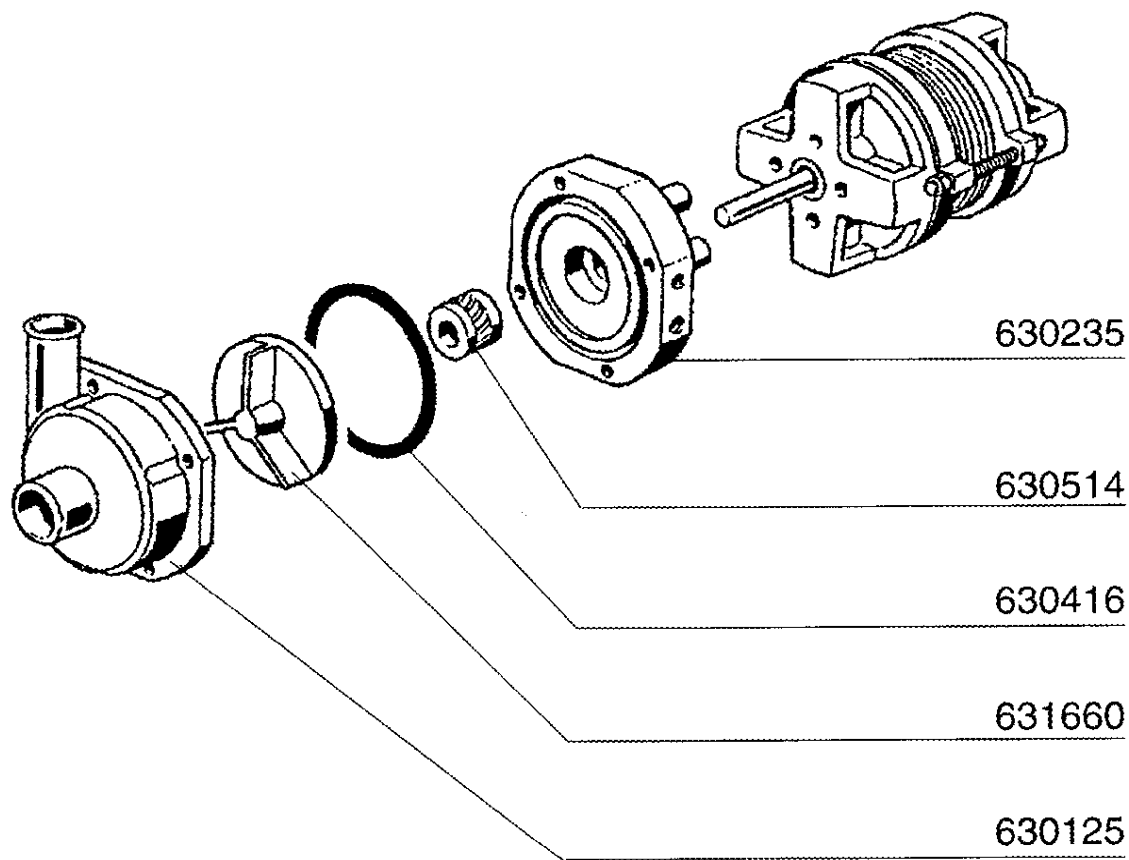


LBC215A
Water softener

CODE	DESCRIPTION	PRICE (Eur)
120144	SOLENOID VALVE FCA 10 LT TYPE 2WAYS	0.00
160108	INJECT.INLET HOSE D.8X5	0.00
160117	HOSE 6,3X1,1 WITHE	0.00
180130	CONNECTION NUT FOR BY PASS (1/4")	0.00
180411	TEE-NIPPLE FOR BY PASS "BTM"	0.00
180413	TEE NIPPLE D.11,5 - RINSE ASSEMBLY	0.00
190209	UPPER WASH/RINSE ARM SUPPORT "BTM"	0.00
190210	BOTTOM TEE WASH/RINSE BC-FC43	0.00
190330	TEE FOR VAACUM BREAKER	0.00
200117	RUBBER HOSE 7X16	0.00
200122	HOSE 11X19	0.00
200416	GASKET D. 3/4"	0.00
200454	GASKET F. SALT CONT.	0.00
200714	GLASSWASHER INLET HOSE	0.00
200734	HOSE FOR RINSE	0.00
200740	RINSE CONNECTING HOSE B12 ç	0.00
200744	HOSE FOR WATER SOFTENER B12ç	0.00
200822	PLUG GASKET OF SALT CONTAINER	0.00
280121	ELL FOR VAACUM BREAKER	0.00
330725	STANDARD BRACKET F.SOLEN.VALV	0.00
331910	BRACKET F.WATER SOFTENER FC	0.00
450102	CLAMP FE ZN 11-17 H=9	0.00
450103	CLAMP FE ZN. 13-20 H=9	0.00
450104	CLAMP FE ZN H=12,5 15-24	0.00
450115	ELASTIC CLAMP D.8,3/7,8	0.00
460502	GASKET 30X21X2 C34-R ASBESTOS	0.00
620120	RINSE AID INJECTOR	0.00
620209	INLET WATER FILTER	0.00
620243	VACUUM BREAKER (WITHOUT KIT)	0.00
630969	COIL S4216 220/50HZ	0.00
631302	SALT CONTAINER	0.00
640209	WATER SOFTENER (4 COLUMNS)	0.00

LBC215A

Wash pump



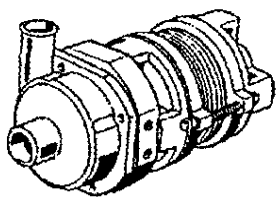
630235

630514

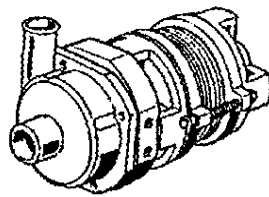
630416

631660

630125



100702
 220/240 V
 50 Hz HP 0,3
 Kw 0,22



100701
 220/240 V
 50 Hz HP 0,2
 Kw 0,15



631208
 (5 μ F)

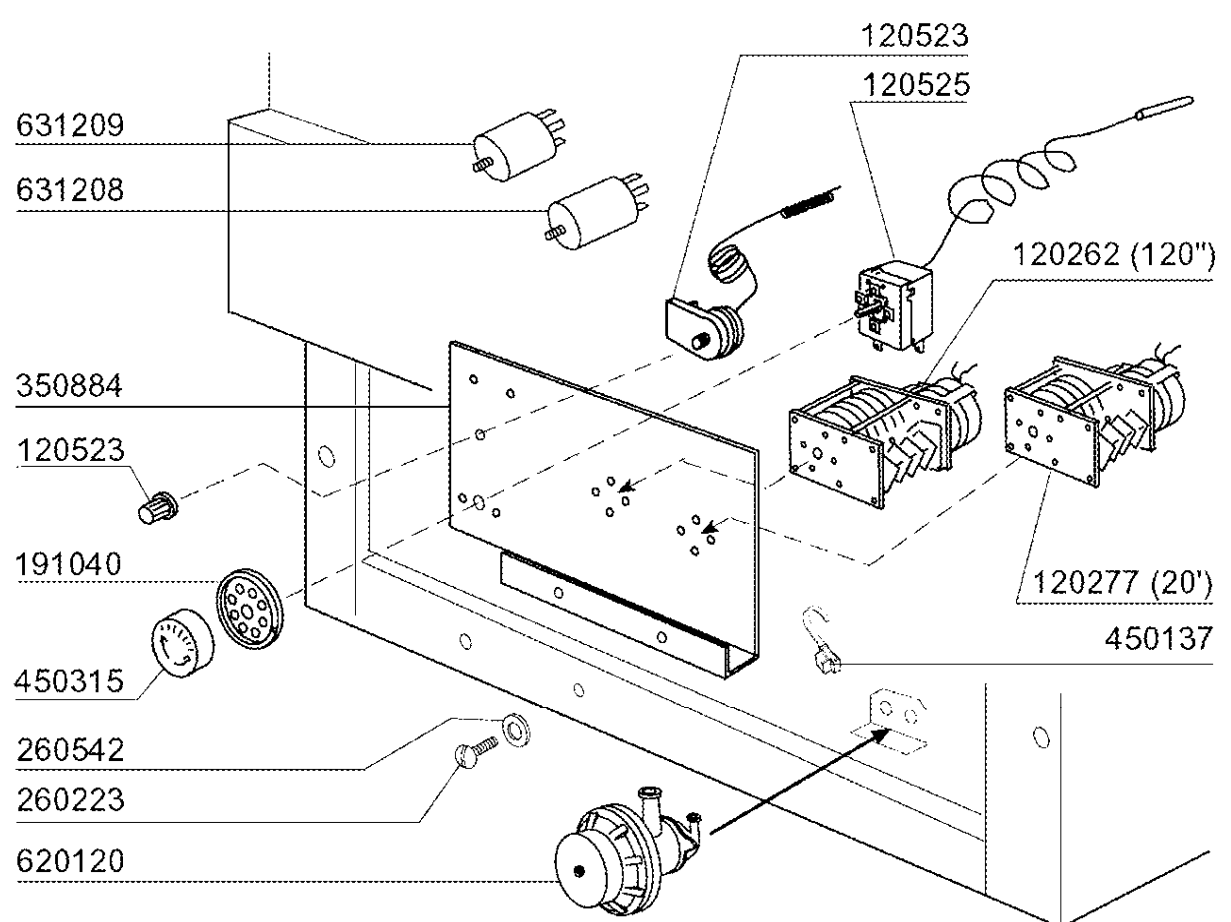
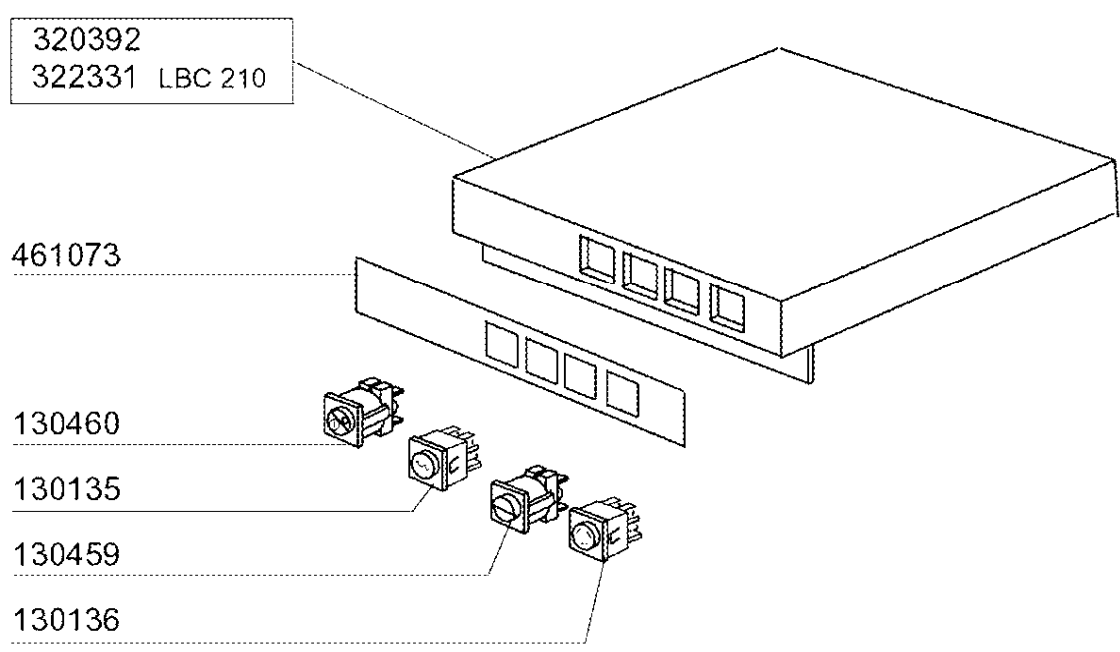
LBC215A

Wash pump

CODE	DESCRIPTION	PRICE (Eur)
100701	PUMP HP 0,2 220/240V-50-2228ç	0.00
100702	PUMP HP 0,3 220/240-50-2229	0.00
630125	VOLUTE 0,12/0,3 (2212-29)	0.00
630235	PUMP COVER 0,12/0,3 (2212-29)	0.00
630416	OR FOR VOLUTE 0,12/0,3 TP2212-29	0.00
630514	PUMP SEAL HP 0,10-0,25-0,3 F	0.00
631208	CONDENSER 5MF.450V	0.00
631660	IMPELLER F.2229 HP 0,3-50 HZ	0.00

LBC215A

Control box

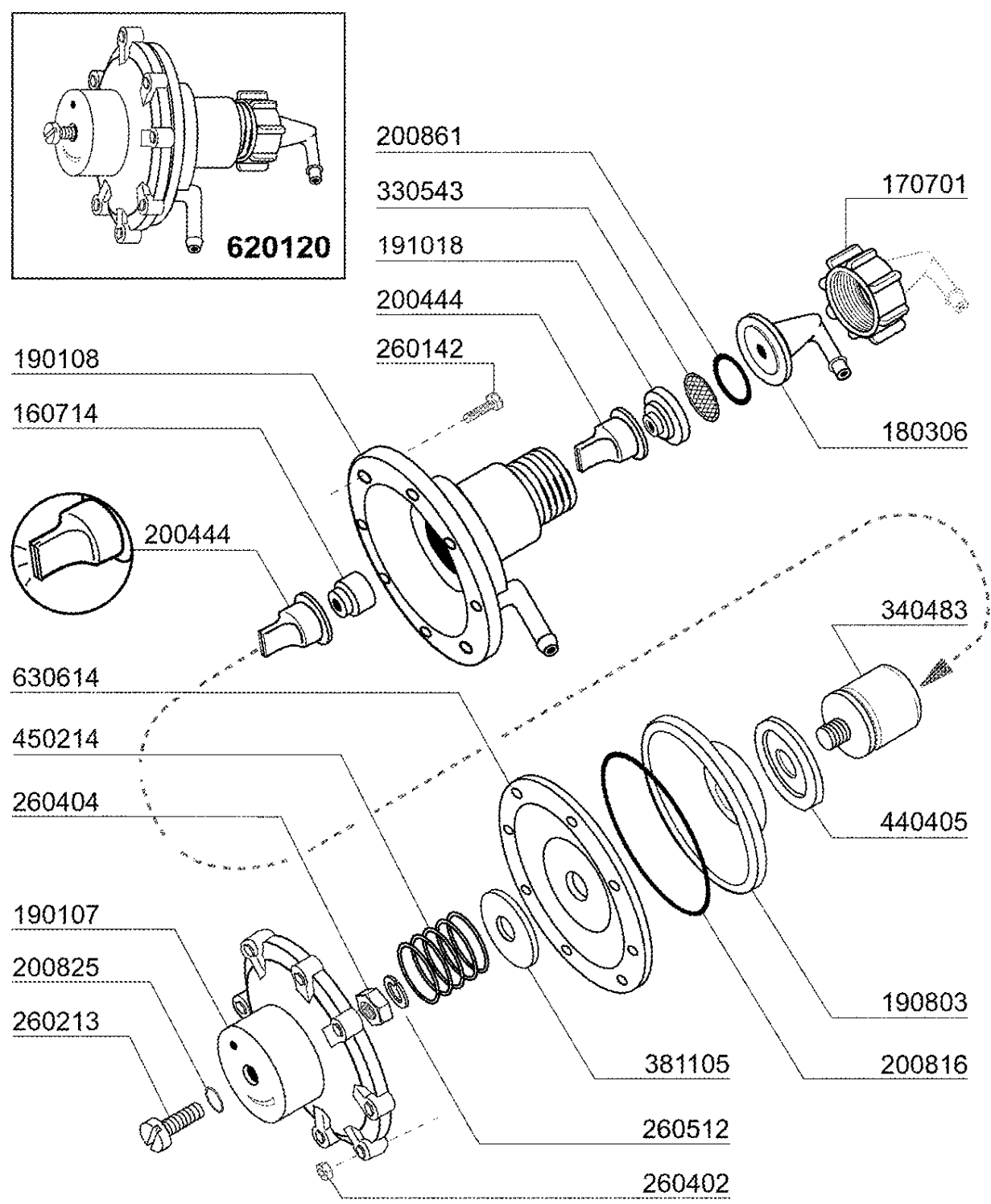


02 - 2001 S. AG.

LBC215A**Control box**

CODE	DESCRIPTION	PRICE (Eur)
120262	TIMER IMP. 4 CAMS 120" B10T>B19T	0.00
120277	TIMER REGENERATION 3 CAMS 20'-220V	0.00
120523	SAFETY THERMOSTAT BT-F	0.00
120525	BOOSTER THERMOSTAT FC-C MODELS	0.00
130135	PILOT LAMP: MACHINE READY B10>C140	0.00
130136	PILOT LAMP:WORKING MACHINE B10-C140	0.00
130459	CYCLE PUSH BUTTON GLASSW.LAV-LINE	0.00
130460	SWITCH FOR LAV-LINE GLASSWASHER	0.00
191040	FRAME F.THERMOSTAT KNOB	0.00
260223	M5X12 MSH/HD SCREW SPECIAL S/S	0.00
260542	WASHER D.5	0.00
320392	TOP PANEL "B" LAV-LINE	0.00
322331	TOP PANEL LBC210	0.00
350884	PANEL SUPPORT CA-CH	0.00
450137	COLLAR CONNECTION WITH BASE 31900	0.00
450315	KNOB F. THERMOSTAT 90°	0.00
461073	CONTROL PANEL "B" LAV-LINE	0.00
620120	RINSE AID INJECTOR	0.00
631208	CONDENSER 5MF.450V	0.00
631209	ANTI-NOISE FILTER	0.00

LBC215A
Rinse aid injector



02 - 2004 | S. AG.

LBC215A
Rinse aid injector

CODE	DESCRIPTION	PRICE (Eur)
160714	PLUG FOR RINSE AID INJECTOR MOPLEN	0.00
170701	LOCK NUT 1/2" F.INJECTOR	0.00
180306	NIPPLE F.RINSE AID INJECTOR	0.00
190107	COVER FOR RINSE AID DISPENSER	0.00
190108	VOLUTE FOR RINSE AID DISPENSER	0.00
190803	GASKET SUPPORT RING F.INJECT	0.00
191018	FILTER SUPPORT RINSE AID INJEC	0.00
200444	SUCTION VALVE RINSE INJECTOR	0.00
200816	O-RING 2,5X59,2X64,2 RINSE INJ	0.00
200825	O-RING 3X5X11 RINSE INJECTOR	0.00
200861	O-RING 14X18X2	0.00
260142	SCREW TE 4X16	0.00
260213	SCREW TCP 5X25	0.00
260402	STAINLESS STEEL NUTS D4 UNI 5588	0.00
260404	STAINLESS STEEL NUTS D6 UNI 5588	0.00
260512	ST/ST GROWER WASHER D6	0.00
330543	FILTER RINSE AID INJECTOR D.17	0.00
340483	PISTON FOR RINSE AID DISPENSER	0.00
381105	DIAPHRAGME DISC	0.00
440405	GASKET FOR RINSE AID INJ.	0.00
450214	SPRING RINSE AID INJECTOR	0.00
620120	RINSE AID INJECTOR	0.00
630614	DIAPHRAGM RINSE INJECTOR	0.00