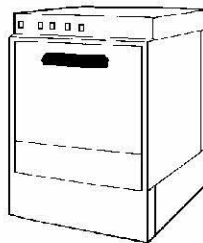




## EARLY CLASSIC RANGE ALL PRIOR TO 1996

Glass Washers  
Sq or Round Basket  
400  
500  
600/650  
700/750



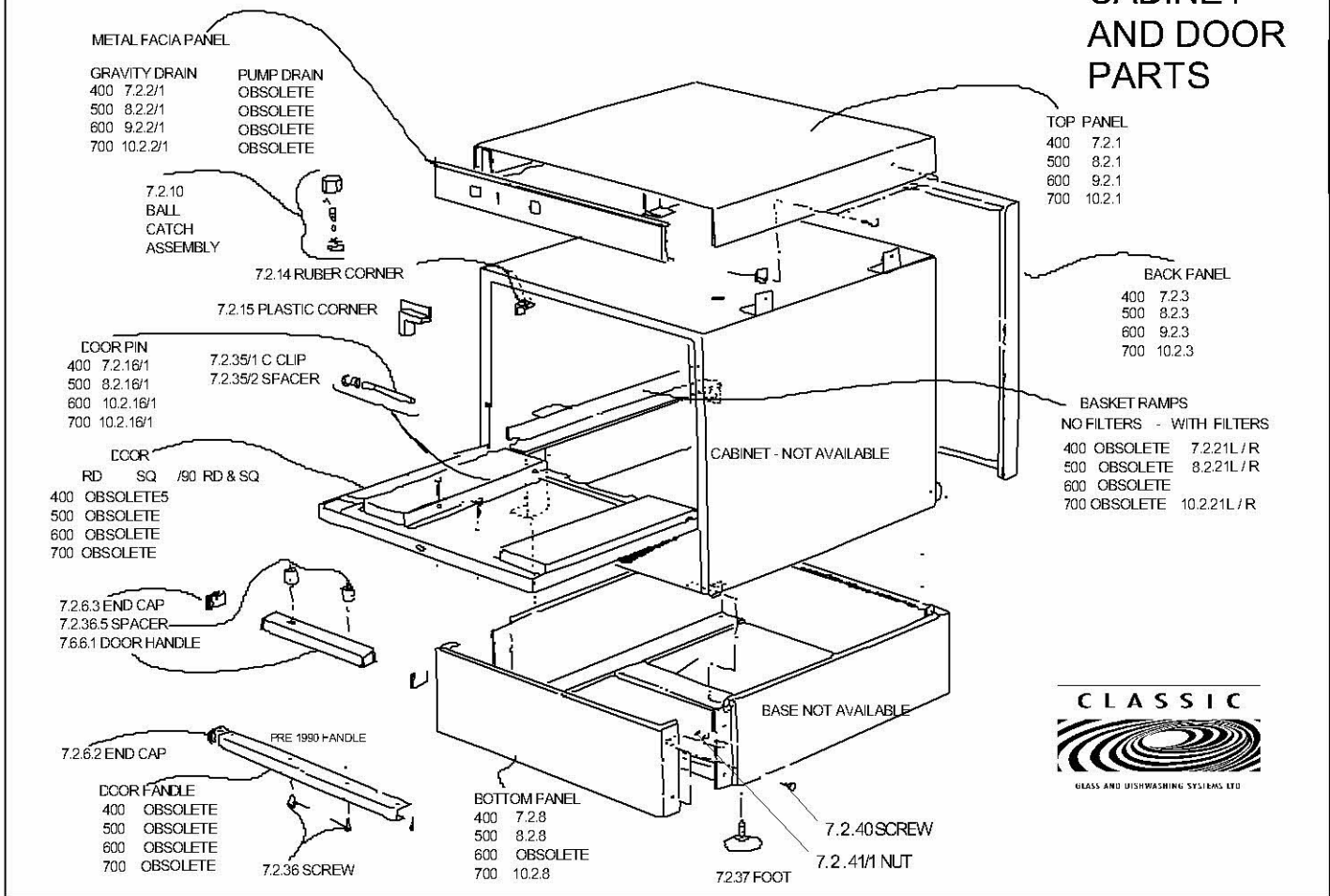
Dishwashers  
All Square Basket  
500D  
600D / 650D  
700D / 750D  
ELITE— AIR BREAK TANK M/Cs

PAGE 1	CABINET & DOORS
PAGE 2	ARMS & JET ASSEMBLY ROUND BASKET
PAGE 3	ARMS & JET ASSEMBLY SQUARE BASKET
PAGE 4	ARMS & JET ASSEMBLY SQ BSKT—CONTINUED
PAGE 5	ARM SUPPORT S
PAGE 6	FILTER & DRAIN SYSTEMS
PAGE 7	ELECTRICAL PARTS
PAGE 8	BASKETS & FILTERS
PAGE 9	WIRING DIAGRAM—OLD PUSH SWITCHES
PAGE 10	WIRING DRAGRAM—GREEN ROCKER SWITCHES
PAGE 11	ELITE Air Break Tank & RB Pump SYSTEM
PAGE 12	ELITE WIRING DIAGRAM 600/700
PAGE 13	ELITE WIRING DIAGRAM 650/ 750
PAGE 14	CHEMICAL DOSING
PAGE 15	TANK CAPACITIES & M/C SIZES

BLANK

# CLASSIC GLASS & DISHWASHING SYSTEMS LTD

## CABINET AND DOOR PARTS



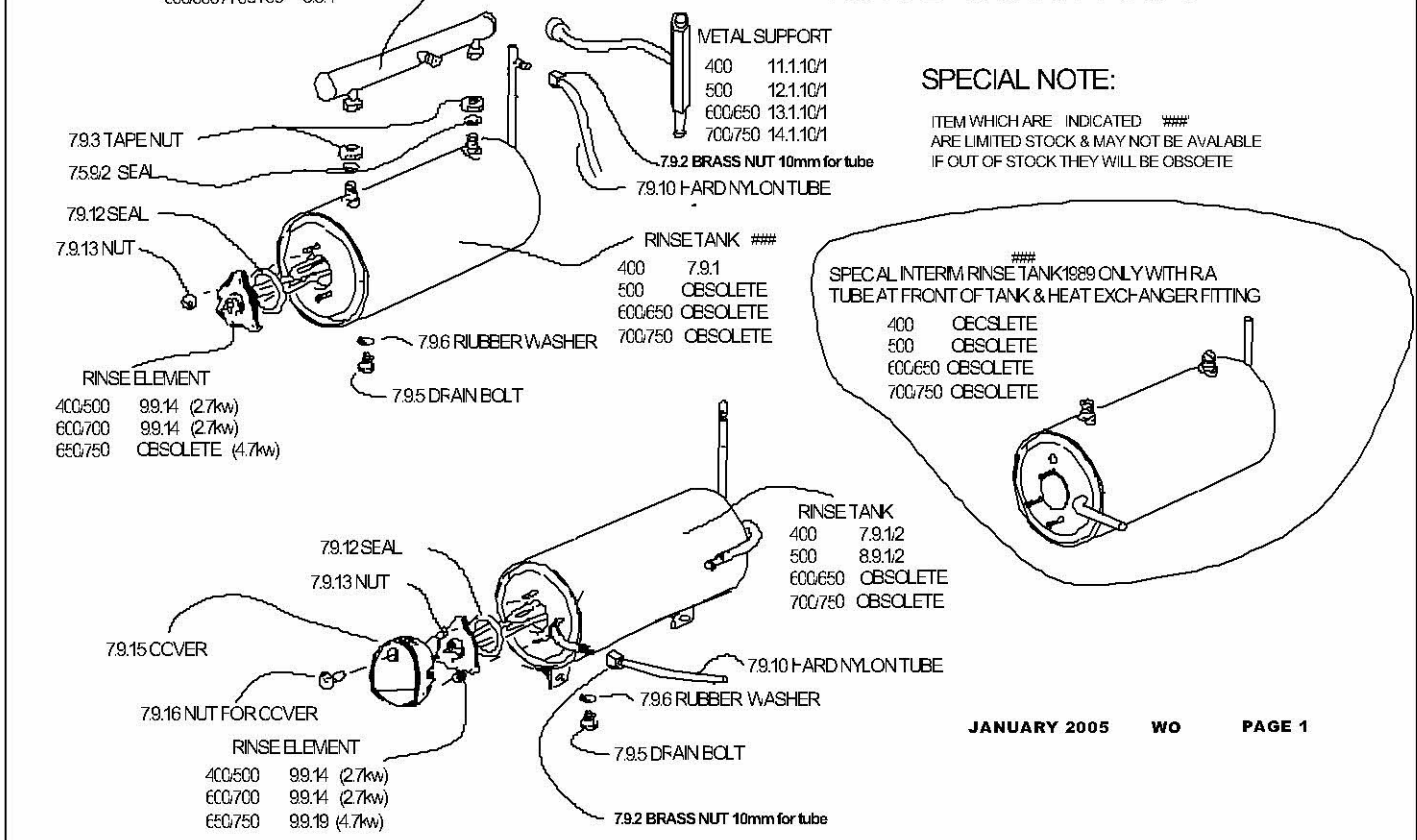
## HEAT EXCHANGER

400/500	8.54
600/650/700/750	9.54

## RINSE TANK PARTS

### SPECIAL NOTE:

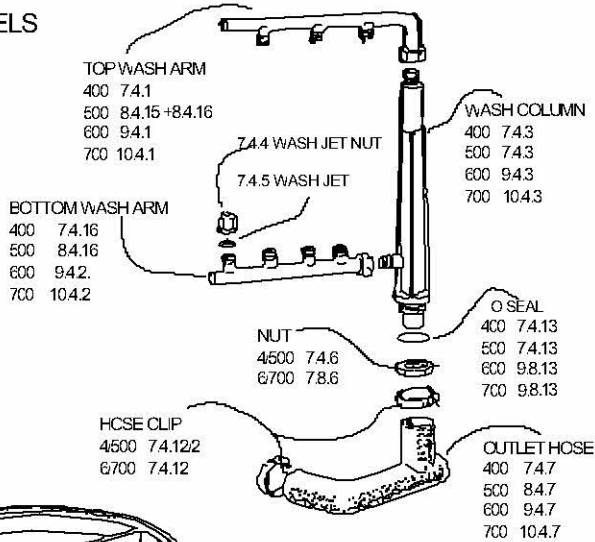
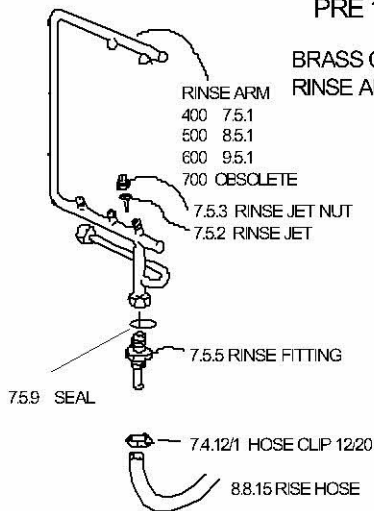
ITEM WHICH ARE INDICATED **###** ARE LIMITED STOCK & MAY NOT BE AVAILABLE IF OUT OF STOCK THEY WILL BE OBSOLETE



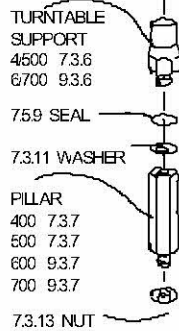
# CLASSIC GLASS & DISHWASHING SYSTEMS LTD

## ROUND BASKET ARMS & JET ASSEMBLY

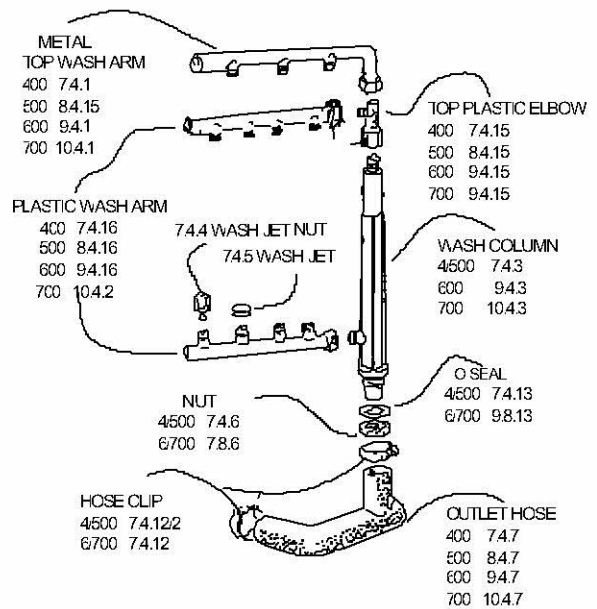
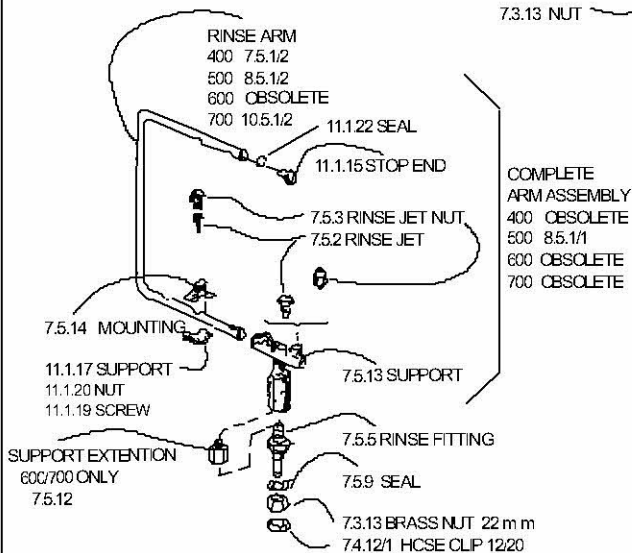
### PRE 1990 MODELS



- TURNTABLE**
- 400 73.0
  - 500 73.0
  - 600 OBSOLETE
  - 700 103.0



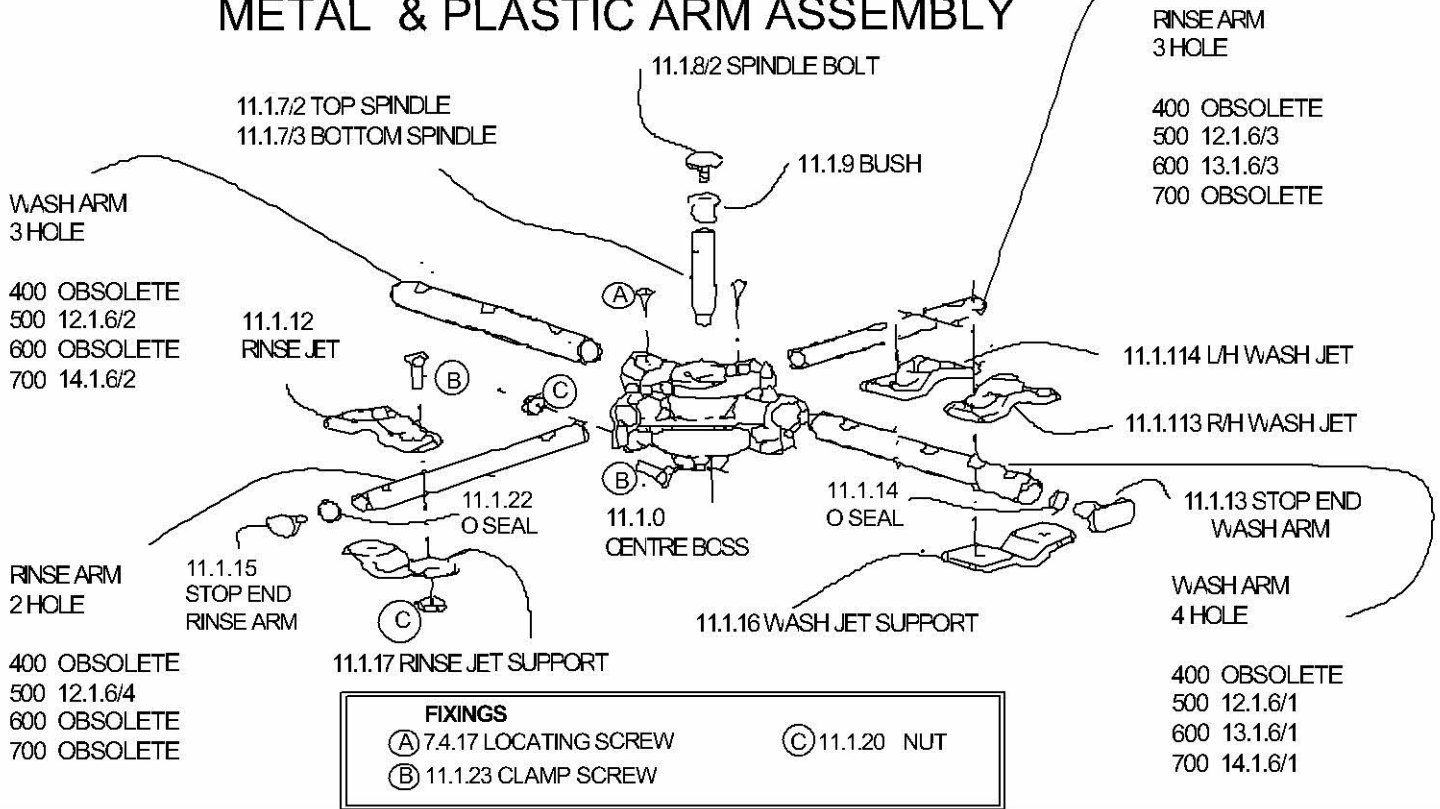
### POST 1990 MODELS STAINLESS STEEL RINSE ARM



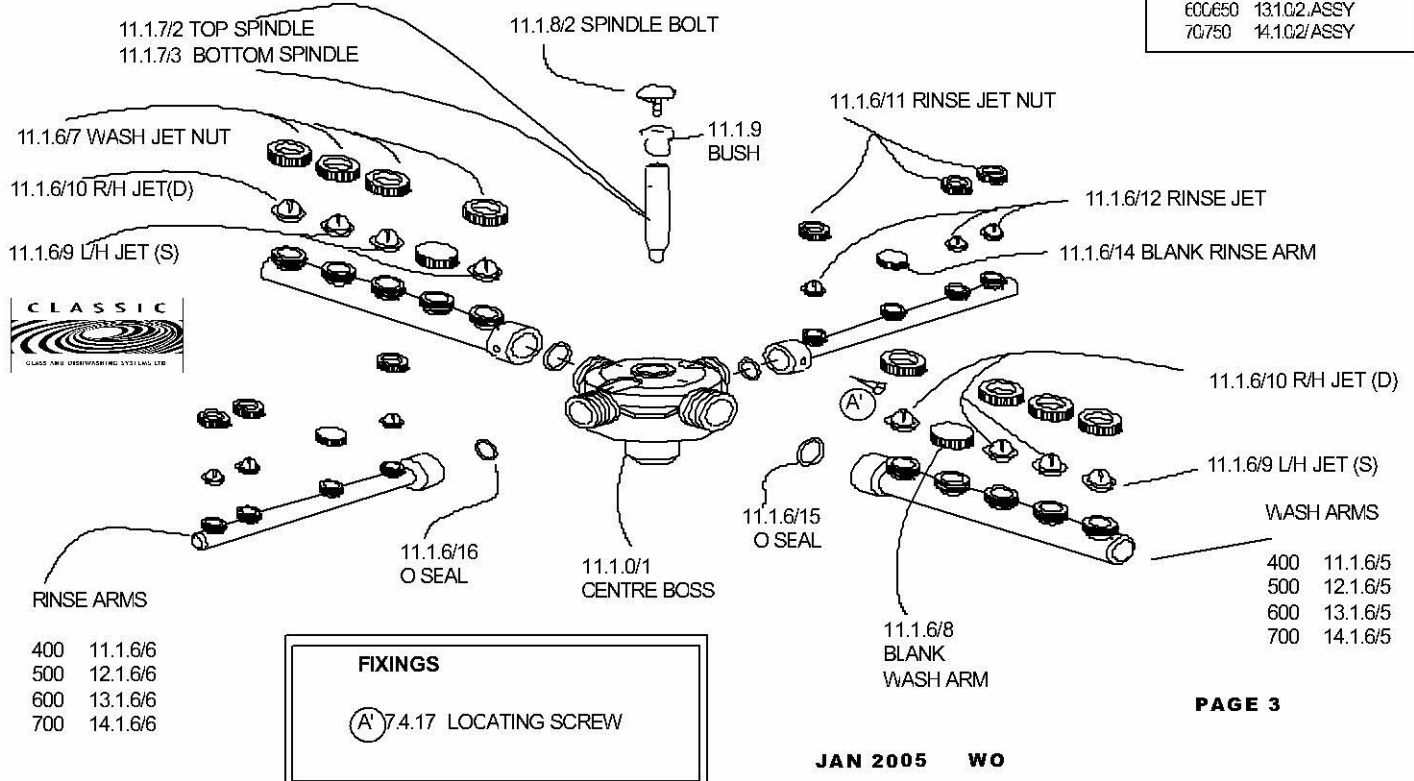
# CLASSIC GLASS & DISHWASHING SYSTEM LTD

## SQUARE BASKET ARM ASSEMBLIES

### METAL & PLASTIC ARM ASSEMBLY



## ALL PLASTIC ARM ASSEMBLY 1995 onwards

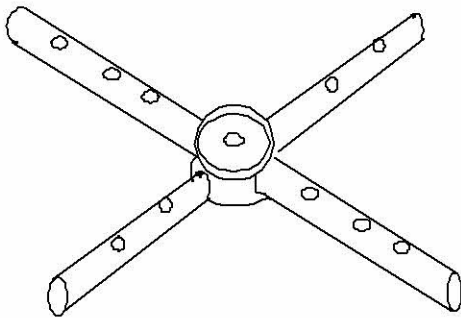


# CLASSIC GLASS & DISHWASHING SYSTEMS LTD

## ALL METAL ARM ASSEMBLY

### OBSOLETE

THIS ITEM CAN BE REPLACED BY CONVERTING THE SUPPORT ASSEMBLY AND FITTING A NEW ALL PLASTIC ARM ASSEMBLY - YOU MUST CHECK THE PRICES BEFORE ORDERING



NOT SHOWN - TOP BOSS 12.2.1/3

11.1.8/2 SPINDLE BOLT

BOTTOM SPINDLE

400	11.1.7/3
500	11.1.7/3
600/650	11.1.7/2
700/750	11.1.7/2

TOP SPINDLE  
11.1.7/2

COMPLETE ARM ASSEMBLY

400	11.1.0/2 /ASSY
500	12.1.0/2 /ASSY
600/650	13.1.0/2 /ASSY
70/750	14.1.0/2 / ASSY

11.1.10/6 BOTTOM FLANGE

SPINDLE SPACER

400	11.1.7/5
500	11.1.7/6
600/650	11.1.7/7
700/750	11.1.7/7

11.1.10/4 BOSS SPACER

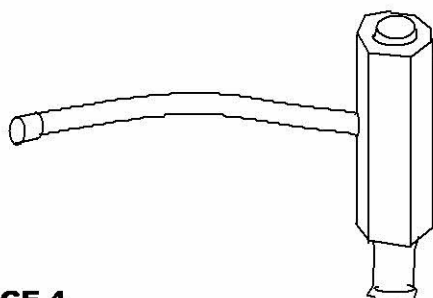
11.1.5/2  
BOTOM BOSS

TUBE

400	11.1.4
500	12.1.4
600/650	13.1.4
700/750	14.1.4

ELBOW Now ONE piece

400	11.1.2/1 A
500	11.1.2/1 A
600/650	OBSOLETE
700/750	11.1.2/4A



METAL SUPPORT

400	11.1.10/1
500	12.1.10/1
600/650	13.1.10/1
700/750	14.1.10/1

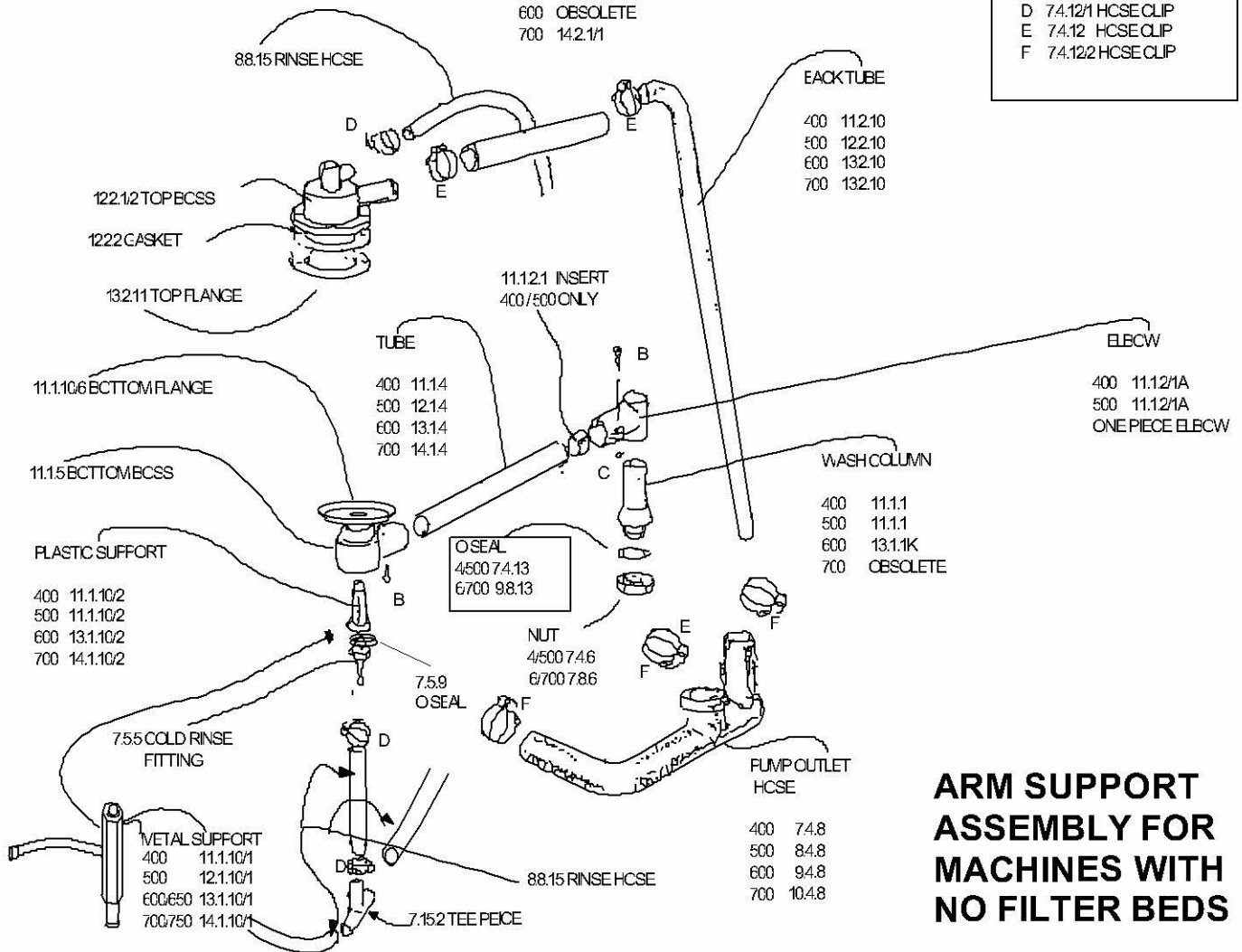
# CLASSIC GLASS & DISHWASHING SYSTEMS LTD

## FIXINGS

- A 74.17 SCREW
- B 11.123 SCREW
- C 11.120 NUT
- D 74.12/1 HCSE CLIP
- E 74.12 HCSE CLIP
- F 74.122 HCSE CLIP

## TOP HCSE

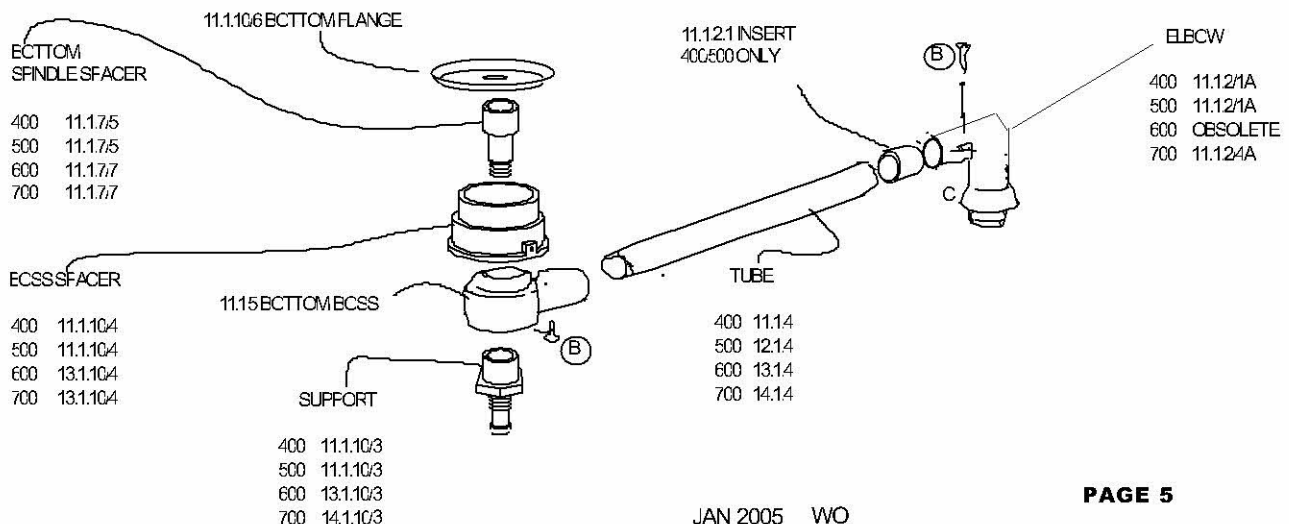
- 400 112.1/1
- 500 122.1/1
- 600 OBSOLETE
- 700 142.1/1



## ARM SUPPORT ASSEMBLY FOR MACHINES WITH NO FILTER BEDS




## ARM SUPPORT ASSEMBLY FOR MACHINES WITH FILTER BEDS

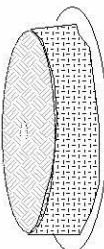


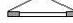
BOSS FILTERS & SPIGOTS  
 CLASSIC & ELITE 400/500/600/650/700/750

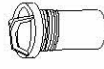
WASH BOSS


**CLASSIC & ELITE  
 600 / 650  
 700 / 750**


7.8.1 NUT 

9.8.2 FILTER 

6.8.3 SPIGOT 40mm 

9.8.4 WASH BOSS 

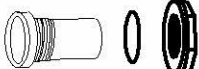
9.8.13 SEAL 

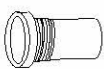
9.8.6 NUT 


CLASSIC & ELITE  
 600 / 650 / 700 / 750

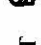
WASTE BOSS

**CLASSIC & ELITE  
 600 / 650  
 700 / 750**

WASTE BOSS  
 NO FILTER  
 NO SPIGOT 


9.10.2 WASTE BOSS 

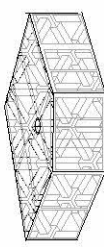
7.8.13 SEAL 


7.8.6 NUT 

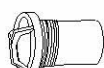
WASH BOSS


**CLASSIC 400/500  
 ELITE 400 / 500**


7.8.1 NUT 

7.8.2/1 FILTER 

6.8.3 SPIGOT 40mm 

7.8.4 WASH BOSS 

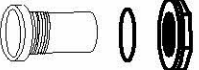
7.8.13 SEAL 

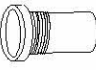
7.8.6 NUT 


CLASSIC & ELITE  
 400 & 500


WASTE BOSS

**CLASSIC 400/500  
 ELITE 400/500**

WASTE BOSS  
 NO FILTER  
 NO SPIGOT 

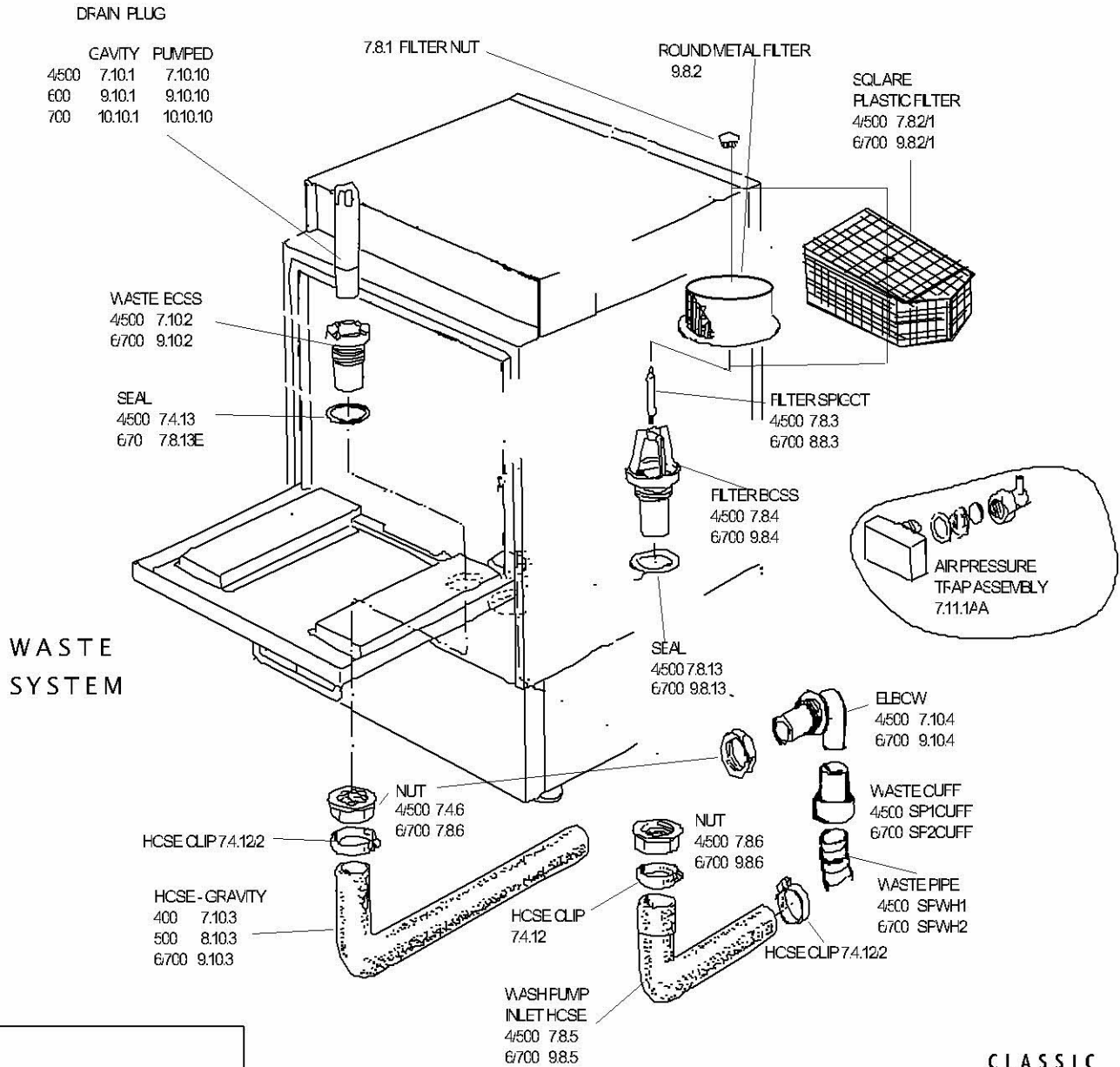
7.10.2 WASTE BOSS 

7.3.13 SEAL 

7.4.6 NUT 



# CLASSIC GLASS & DISHWASHING SYSTEMS LTD

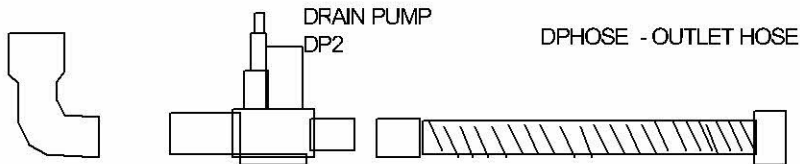


## DRAIN PUMPS

DP2 DRAIN PUMP SUPERSEDES PREVIOUS TYPES AND CAN BE FITTED TO ALL MODELS

PARTS REQUIRED ARE :

- INLET HOSE  
6700 - 9.10.3/2
- INLET HCSE  
FOR 4500 ONLY  
CUT DOWN  
7.10.3



**When fitting, the drain pump fits in the upright position and is held in place with the jubilee clips. The Drain pump is NOT mounted to any panels, brackets or cross rails**

# CLASSIC GLASS & DISHWASHING SYSTEMS LTD



## ELECTRICAL PARTS

CLASSIC  
UP TO JUNE 96

ST2 TUBE  
8LPP DETERGENT PUMP  
AUTOCLUDE (TOP MOUNTED)  
REPLACEMENT INNER TUBE ST1-8LPP

TOP MOUNTED SOAP ELBOW  
7.7.21 ELBOW  
7.7.21/3 WASHER  
7.7.21/1 NUT

TIMER  
7.12.2/1 2 MIN TIMER  
7.12.2/2 4 MIN TIMER

PUSH SWITCHES - RED OR ORANGE

7.12.4/1 ON/OFF SWITCH

7.12.4/2 WASH SWITCH

CONTACTOR 4

CAPACITOR FOR WASH PUMP  
400 = 7.12.101  
500/600/700 = 7.12.102

ROCKER SWITCHES GREEN  
ON/OFF SWITCH 7.12.4/1A - (4 PIN)  
WASH SWITCH 7.12.4/2A - (6 PIN)  
DRAIN SWITCH 7.12.4/2A - (6 PIN)  
HOT/COLD RINSE SWITCH 7.12.5 (6 PIN)

BOILER LIGHTS  
7.12.6

SOAP PCB = CL210

7.14.1 COMPLETE ASSEMBLY

7.14.10 MICRO SWITCH

TERMINAL BLOCK & CONTACTORS  
650 & 750D ONLY

7.14.7 SEAL  
7.14.12 HOUSING  
7.14.15 SEAL  
7.14.4 SPRING  
7.14.14 PLUNGER  
7.14.13 COVER

7.8.14 WATER INLET HOSE

7.12.10/1 MAINS CABLE 13amp

7.12.12/1 SINGLE SOLENOID WATER VALVE  
7.12.12 DOUBLE SOLENOID WATER VALVE

7.12.1/2 THERMOSTAT  
FITS WASH & RINSE

WASH ELEMENT  
4/500 - 7.12.17  
6/700 - 9.12.17  
650/750 9.12.18

WASH PUMPS  
PLEASE NOTE: OLD STYLE WASH PUMPS ARE NO LONGER AVAILABLE FROM OUR SUPPLIERS

WHEN OUR STOCKS ARE EXHAUSTED NEW STYLE ALTERNATIVES WILL BE SUPPLIED WITH MODIFICATION KITS

7.6.15 BOLT FOR MOTOR

WASH PUMPS		
ORIGINAL TYPE	WITH CONVERSION KIT	
400 - 7.6.0	7.6.0/R	
500 - 8.6.0	8.6.0/R	
600 - 9.6.0	9.6.0/R	
700 - 9.6.0	9.6.0/R	

### INTERNAL PARTS

	SHAFT	SEAL	IMPELLOR	HOUSING
400	7.6.3	7.6.2	7.6.1K	
500	7.6.3	7.6.2	7.6.1K	
600	7.6.3	9.6.2	9.6.1	
700	7.6.3	9.6.2	9.6.1	

8LPP2 SOAP PUMP (ANCO)  
MOUNTED IN BASE OF MACHINE  
REPLACEMENT INNER TUBE ST1-8LPP2

7.7.12/6 NON RETURN VALVE

7.7.17 RED DIAPHRAM

7.7.17/1 ROUND DIAPHRAM

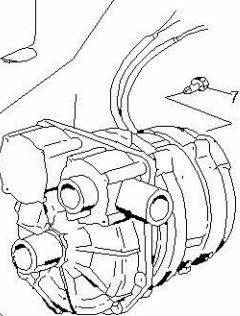
7.12.9 AIR PRESSURE SWITCH

NOT SHOWN  
Part No: DKRBP  
EXTERNAL RINSE BOOSTER PUMP

7.7.12 VALVE

RINSE AID INJECTORS  
7.7.0.1 MOTOR MOUNTED  
7.7.0.1/1 REMOTE

NOT SHOWN  
SOAP INJECTOR 7.7.0.2

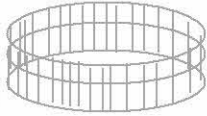


# CLASSIC GLASS & DISHWASHING SYSTEMS LTD

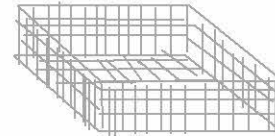
## BASKETS etc / FILTERS



PART No **STANDARD ROUND**  
 400 OBSOLETE  
 500 OBSOLETE  
 600 RGB  
 700 RGB



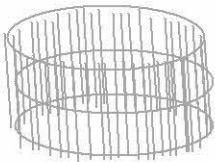
Wire Basket  
 PART No  
 400 SGB  
 500 SGB  
 600 SGB  
 700 SGB



All plastic  
 PART No.  
 400 SGB-P  
 500 GBP  
 700 GBP

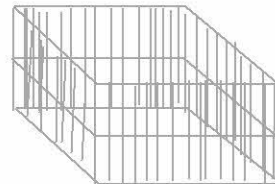
### TALL ROUND

OBSOLETE  
 OBSOLETE  
 OBSOLETE  
 OBSOLETE



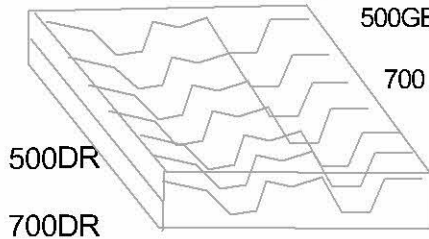
### TALL SQUARE

OBSOLETE  
 OBSOLETE  
 OBSOLETE  
 OBSOLETE

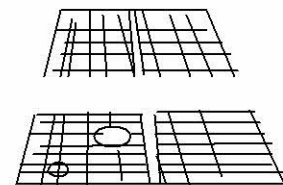
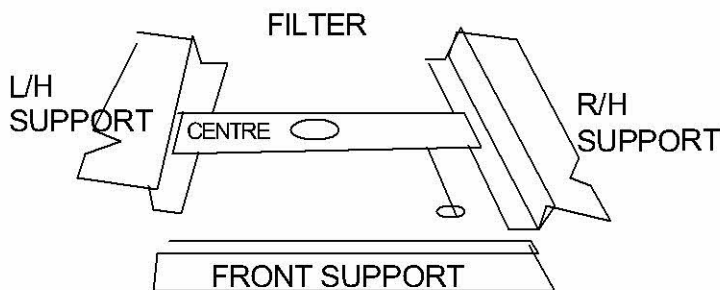


ALSO AVAILABLE	
FART No	DESCRIPTION
CB	CUTLERY BASKET
700INS	TOP COVER FOR SGB 6/700

### DISH RACK



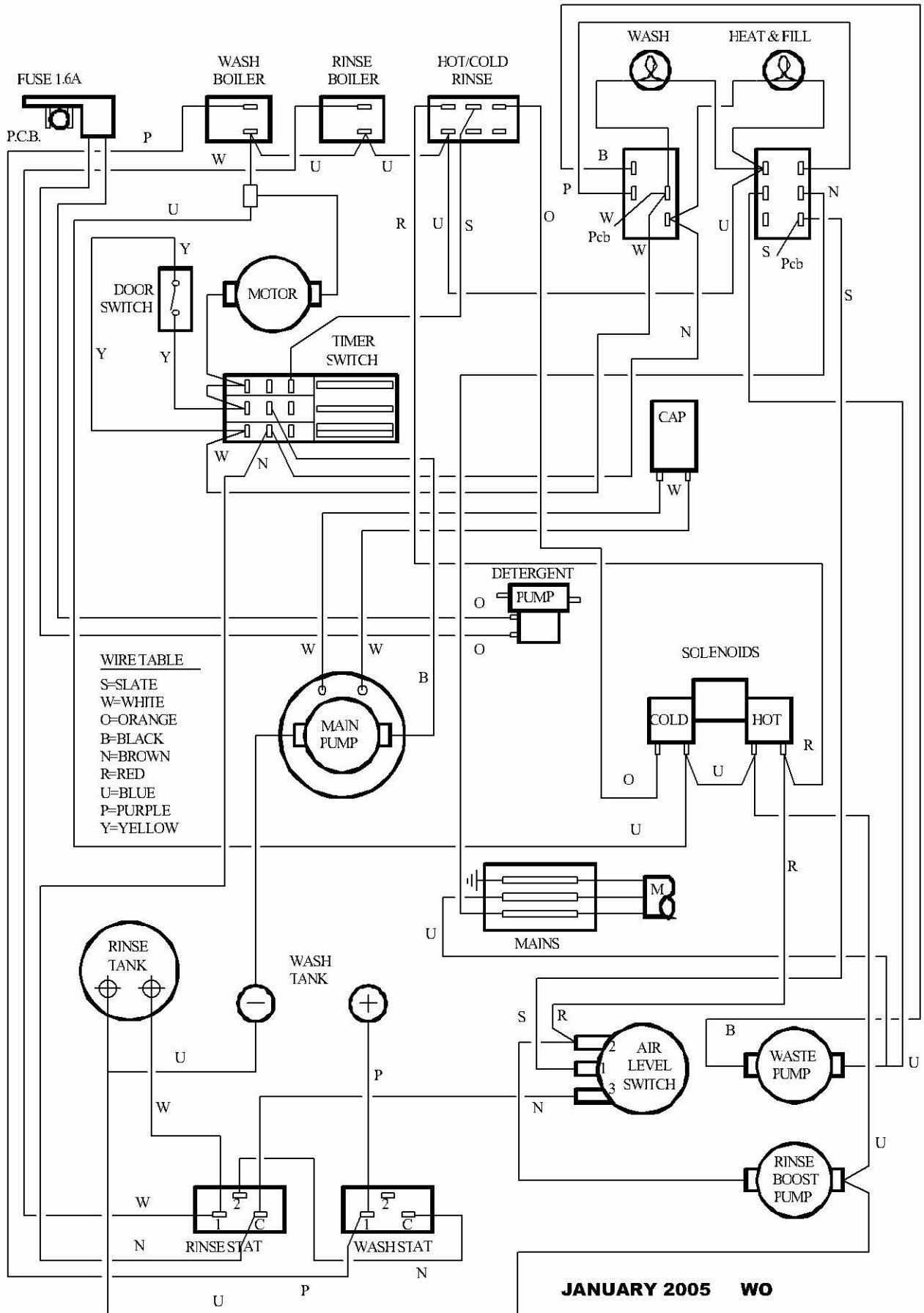
500 GBP+500 DRI  
 700 DRP



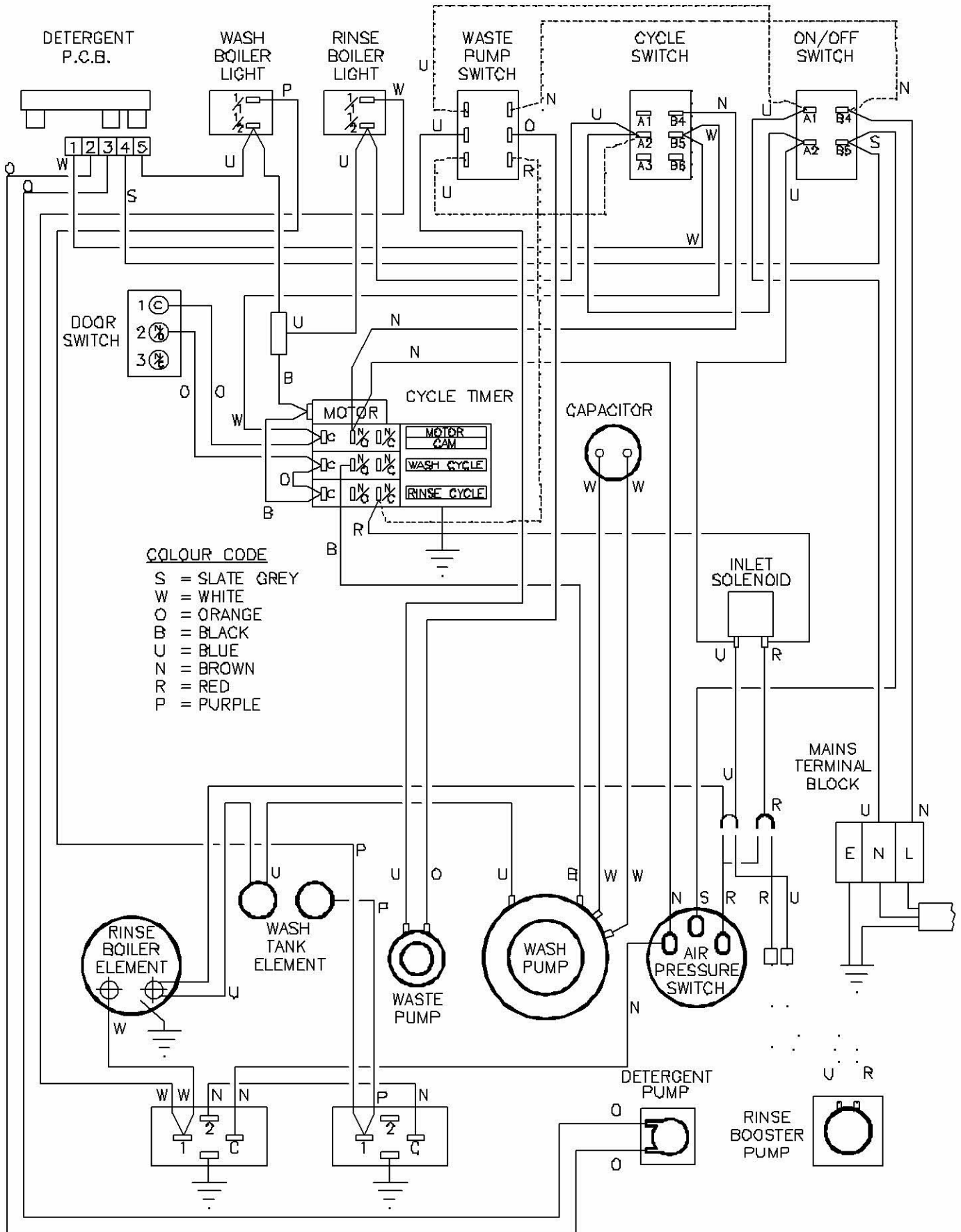
SUPPORTS				
MODEL	L/H	R/H	FRONT	CENTRE
400	7.2.9/1	7.2.9/2	7.2.9/3	N/A
500	8.2.9/1	8.2.9/2	8.2.9/3	N/A
600	----- OBSOLETE -----			
700	10.2.9/1	10.2.9/2	10.2.9/3	10.2.9/8

FILTERS			
MODEL	ONE PIECE	1 WITH HOLE	3 NO HOLE
400	7.2.9	N/A	N/A
500	8.2.9	N/A	N/A
600	----	9.2.9	9.2.9/9
700		10.2.9	10.2.9/9

PRE 1990 WIRING DIAGRAM - IDENTIFIED WITH RED/ORANGE PUSH SWITCHES



CLASSIC GLASS & DISHWASHING SYSTEMS LTD  
 WIRING DIAGRAM 1992 TO 1996  
 GREEN ROCKER SWITCHES

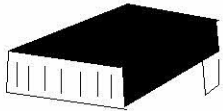


# OLD STYLE ELITE MACHIES

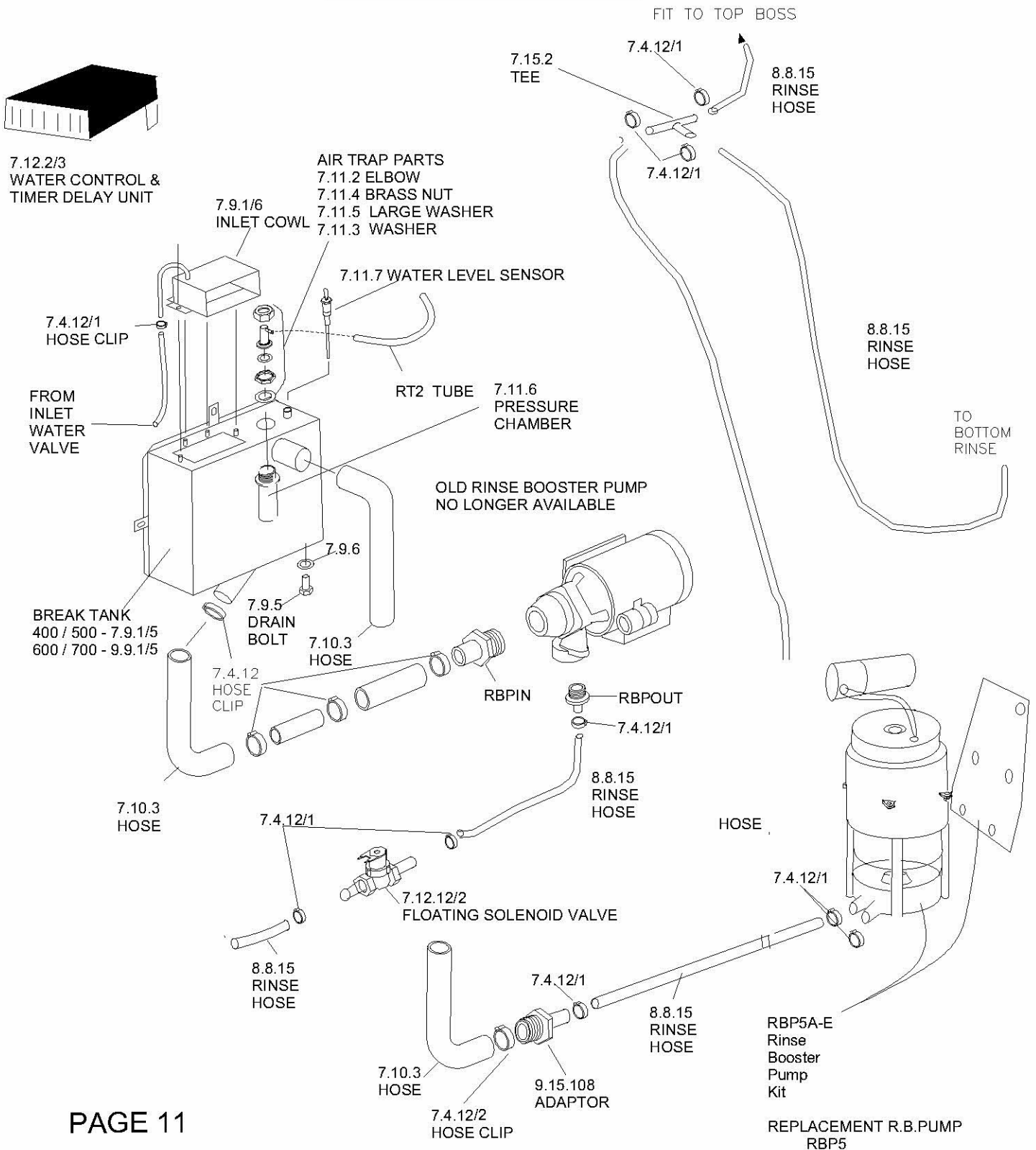
## AIR BREAK TANK & RINSE BOOSTER PUMP



ADAPTORS FOR LOWARA RINSE PUMP  
 ADAPTOR ASSEMBLY 9.15.114  
 OUTLET ASSEMBLY 9.15.115  
 INLET 9.15.116



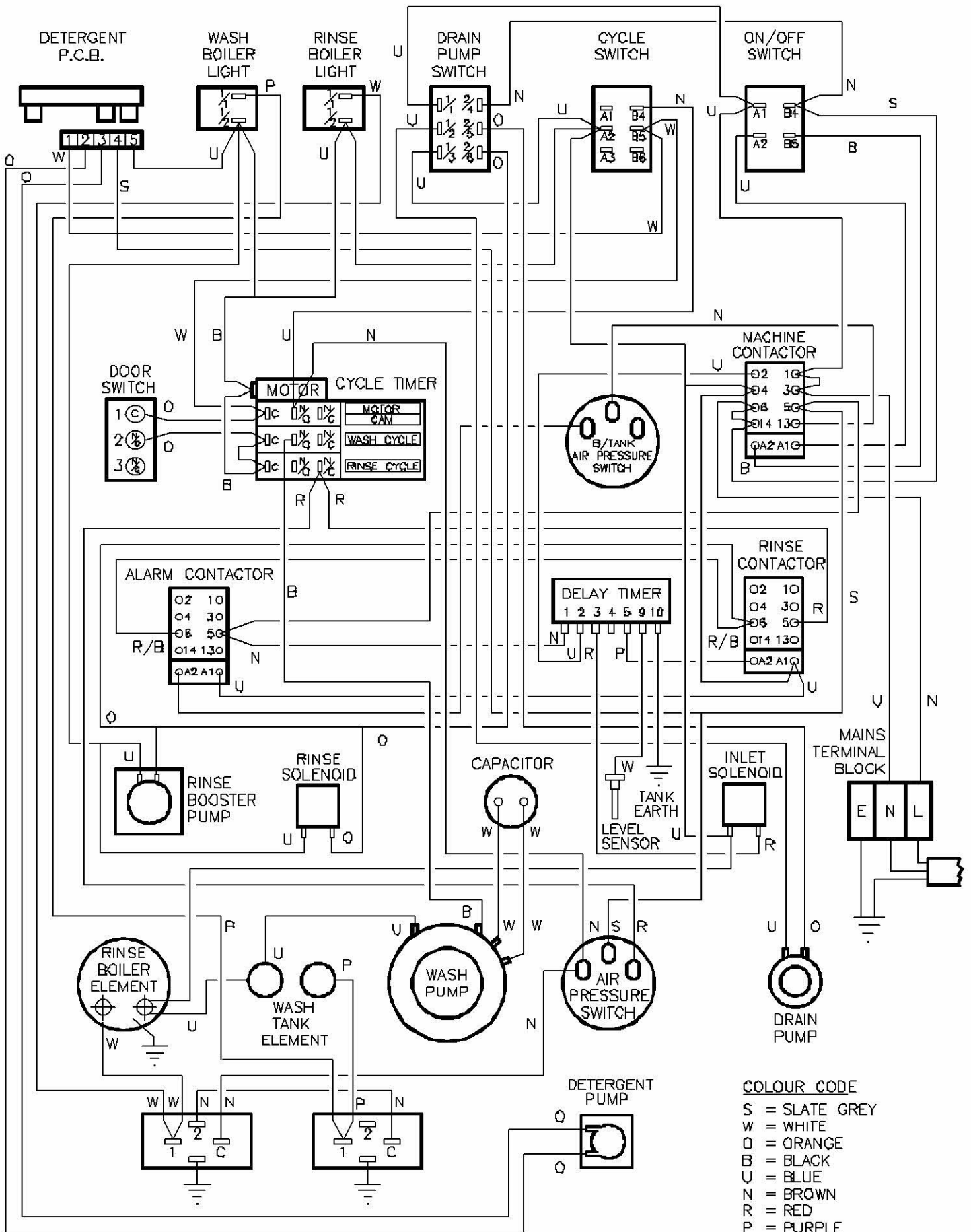
7.12.2/3  
 WATER CONTROL &  
 TIMER DELAY UNIT



# CLASSIC GLASS & DISHWASHING SYSTEMS LTD

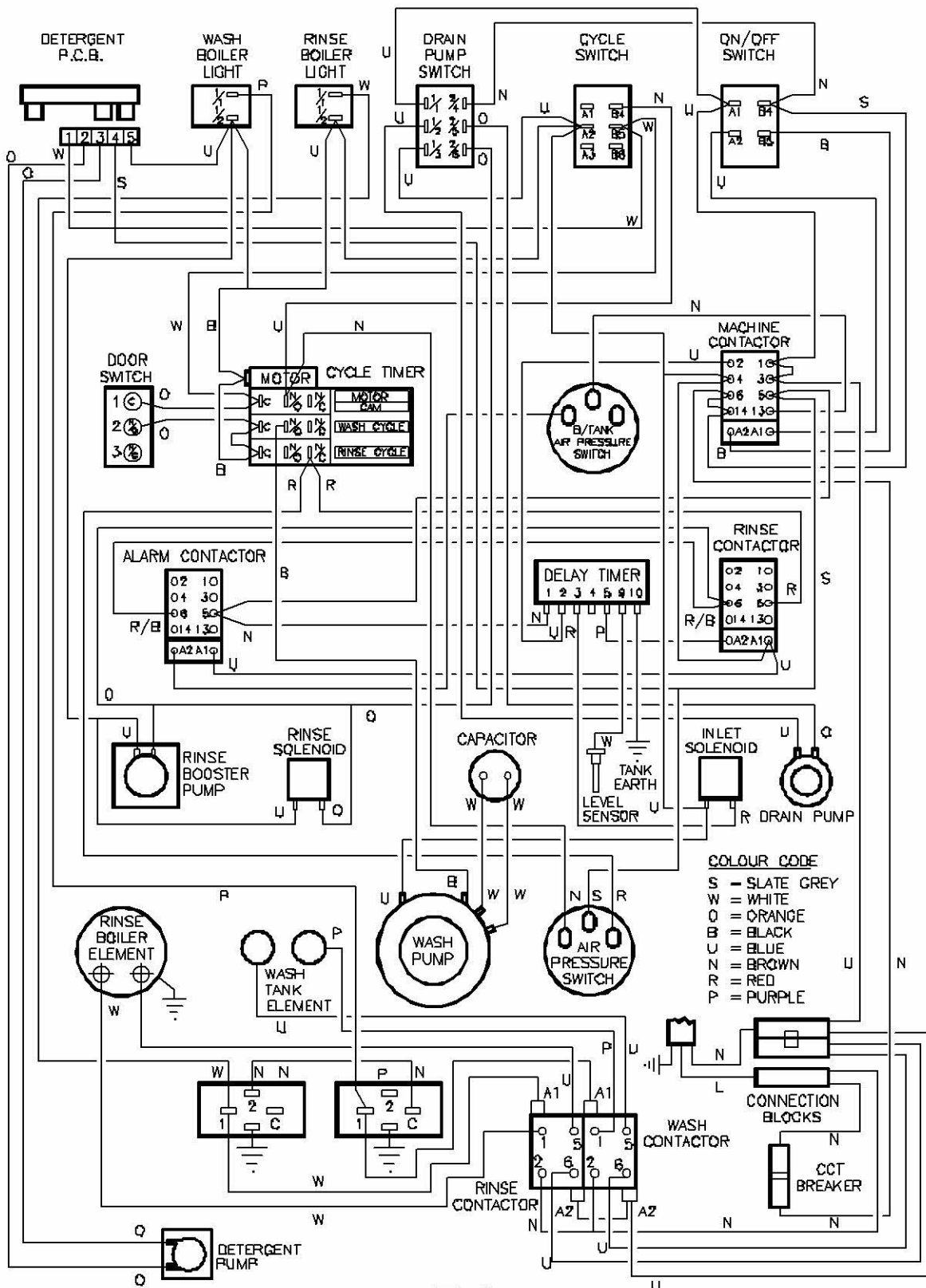
## OLD STYLE ELITE MACHINES 400 / 500 / 600 / 700

### WIRING DIAGRAM



## OLD STYLE ELITE MACHINES 650 / 750

### WIRING DIAGRAM





BLANK

**Guide Lines for CLASSIC Chemical Dosing**

OLD STAINLESS STEEL TOP CLASSIC & OLD ELITE M/Cs SOAP PUMPS - ANKO(Part No 8LPP) or AUTOCLUDE(Part No 8LPP2)  
 Delivers 1ml per 2 revolutions

<b>Hard Water</b>		<b>Soft or Softened Water</b>	
INITIAL	TOP UP	INITIAL	TOP UP
Volume	Revs of Pump	Volume	Revs of Pump
Glasswash			
400	35	52	26
500	46	69	34
600	78	116	58
700	90	132	66
Dishwash			
400	21	21	10
500	27	27	14
600	46	46	23
700	52	52	26

Note: 650 as 600 750 as 700

USING BRIGHTWELL PUMPS – 8LPP4 1.1 ml per revolution – 1 revolution per 2 seconds.

ECO1 These models have the soap pump attached to the inlet water solenoid valve and with 2-bar flow pressure will give the correct volume  
 ECO2 if the pressure is lower a booster pump is required, if the pressure is higher a pressure reducer should be fitted.

<b>Hard water</b>		<b>Soft or Softened water</b>	
Initial	Top up	Initial	Top up
H500	50 sec	40 sec	8 sec
Glasswasher only	2 min 35 sec	2 min 15 sec	11 sec
Eco3	13 sec		
H750			
Glasswash	2.min 35 sec	2 min 15sec	11 sec
Dishwash	1 min 45 sec	1.min 25 sec	8 sec

## Guide Lines for CLASSIC TANK CAPACITIES & MACHINE SIZES

### TANK CAPACITIES

MODEL	TANK CAPACITIES		MACHINE DIMENSIONS		
	RINSE TANK	WASH TANK	WIDTH	DEPTH	HEIGHT
400	4.5 lt	10 .5lt	425	435	635
500	5 lt	12 .6 lt	475	485	700
600	6 lt	22 lt	530	540	813
700	6 lt	30 lt	590	600	864
400 ELITE	4.5 lt	10 .5lt	425	510	790
500 ELITE	5 lt	12 .6 lt	475	560	840
600 ELITE	6 lt	22 lt	530	600	813
700 ELITE	6 lt	30 lt	590	660	864
<b>Note: 650 as 600 750 as 700</b>					
ECO 1 NL	4 .8 lt	10 .5 lt	425	455	700
ECO 2 NL	5 .4 lt	12 .6 lt	475	505	750
ECO 3 NL	8 lt	33 lt	590	600	820
H500 NL	5 .4 lt	12 .6 lt	475	505	750
H750 NL	8 lt	33 lt	590	600	820
H800	10 lt	60 lt	590	620	1330
H850 / H900	10 lt	70 lt	690	820	1480
H850 ABT as H850			795	820	1480
OLD 850D (Switches on top of m/c)	24 lt	56 lt	700	980	1515
OLD 900D ( 4 coloured switches & push start on front)	24 lt	70 lt	800	880	1520

Filling times and water usage per cycle depend on water pressure 2 bar flow pressure will give approx. 2.5lt per 17 sec rinse.

BLANK